



US00D932879S

(12) **United States Design Patent** (10) **Patent No.:** **US D932,879 S**
Austin (45) **Date of Patent:** **** Oct. 12, 2021**

(54) **ADJUSTABLE HOOK**
(71) Applicant: **Daniel Austin**, Pomona, CA (US)
(72) Inventor: **Daniel Austin**, Pomona, CA (US)
(**) Term: **15 Years**
(21) Appl. No.: **29/745,221**
(22) Filed: **Aug. 4, 2020**

Related U.S. Application Data

(63) Continuation-in-part of application No. 29/723,871, filed on Feb. 11, 2020.
(51) **LOC (13) Cl.** **08-05**
(52) **U.S. Cl.**
USPC **D8/367**
(58) **Field of Classification Search**
USPC D8/356, 354, 105, 349, 367; D3/207
CPC B65H 57/16; B63B 21/045; A63B 29/08;
A63B 27/02; F16B 45/02
See application file for complete search history.

D649,862 S 12/2011 Arvinte et al.
8,276,247 B2 10/2012 Yang
D684,452 S 6/2013 Petzl
8,474,112 B2 7/2013 Thompson
D708,047 S 7/2014 Petzl
8,905,449 B2 12/2014 Calvert
D726,123 S 4/2015 Su et al.
9,003,617 B2 4/2015 Walker
D730,159 S * 5/2015 Grimm D8/356
D730,722 S * 6/2015 Grimm D8/356
9,091,295 B1 7/2015 Yang et al.
D738,196 S * 9/2015 Petzl D8/356
D743,778 S 11/2015 Huang
9,322,428 B2 4/2016 Perner
D758,172 S * 6/2016 Hung D8/367
D765,497 S * 9/2016 Petzl D8/356
D786,049 S 5/2017 Austin

(Continued)

Primary Examiner — Cynthia R Underwood
(74) *Attorney, Agent, or Firm* — Kirk A. Buhler; Buhler & Associates Patenting

(57) **CLAIM**

The ornamental design for an adjustable hook, as shown and described.

(56) **References Cited**

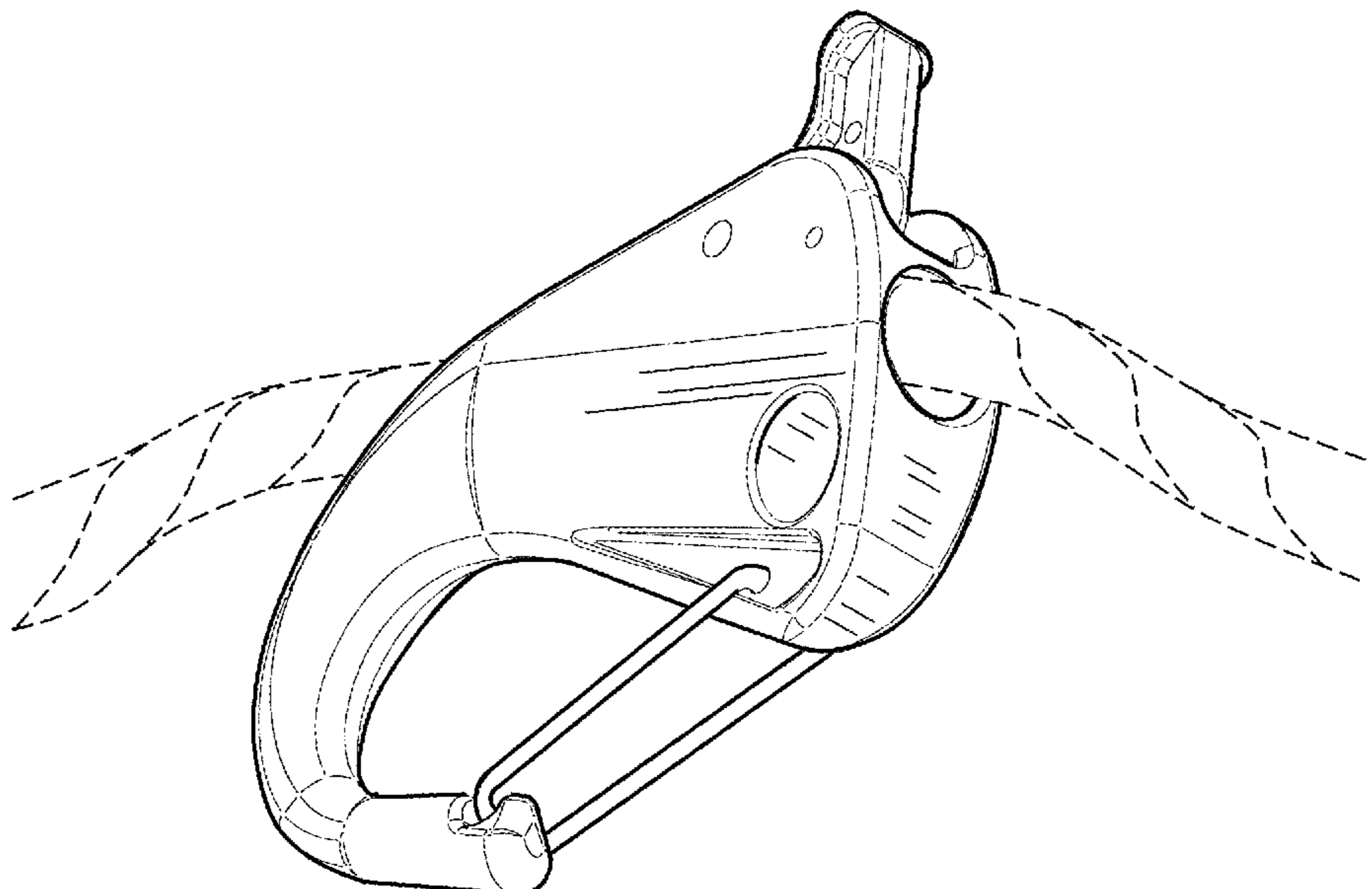
U.S. PATENT DOCUMENTS

3,446,484 A 5/1969 Walsh et al.
D222,428 S 10/1971 Stein
D246,286 S 11/1977 Moore
D347,507 S 5/1994 Austin
D349,839 S 9/1994 Gilardelli
D391,840 S 3/1998 Striebel
6,223,372 B1 5/2001 Barber
7,320,159 B2 1/2008 Petzl et al.
7,475,456 B2 1/2009 Thompson
7,540,074 B2 6/2009 Thompson
7,845,467 B2 * 12/2010 Petzl A62B 1/14
182/5
7,946,006 B2 5/2011 Thompson
D649,018 S 11/2011 Kope
8,060,994 B2 11/2011 Petzl et al.

DESCRIPTION

FIG. 1 is a front perspective view of an adjustable hook showing my new design;
FIG. 2 is a front elevation view thereof;
FIG. 3 is a rear elevation view thereof;
FIG. 4 is a bottom plan view thereof;
FIG. 5 is a top plan view thereof;
FIG. 6 is a rear elevation view thereof;
FIG. 7 is a front elevation view thereof; and,
FIG. 8 is a rear perspective view shown in an environment of use.
The broken lines in FIG. 8 depict environmental subject matter of a rope and forms no part of the claimed design.

1 Claim, 4 Drawing Sheets



(56)

References Cited

U.S. PATENT DOCUMENTS

D801,156 S *	10/2017	Hung	D8/367	2013/0219673 A1*	8/2013	Perner	F16B 45/02 24/375
D819,429 S *	6/2018	Newing	D8/356	2014/0110956 A1*	4/2014	Lin	B66C 1/36 294/82.2
D827,418 S	9/2018	Austin			2014/0123447 A1	5/2014	Calvert		
D837,635 S *	1/2019	Petzl	D8/356	2014/0138191 A1*	5/2014	Chabod	A62B 1/14 188/65.1
D843,814 S *	3/2019	Cariano	D8/356	2014/0245576 A1*	9/2014	Perner	F16B 45/02 24/600.1
D852,609 S *	7/2019	LeBeau	D8/356	2015/0231423 A1*	8/2015	Perner	A62B 35/0075 24/505
D863,046 S *	10/2019	Cariano	D8/356	2016/0061251 A1	3/2016	Rogelja		
D893,122 S *	8/2020	Saeger	D34/35	2016/0101302 A1	4/2016	Perner		
2007/0062014 A1	3/2007	Casebolt			2016/0152453 A1	6/2016	Wescott et al.		
2007/0186393 A1	9/2007	Thompson			2016/0230804 A1*	8/2016	Huang	F16B 45/02
2008/0022497 A1	1/2008	Thompson			2016/0281766 A1	9/2016	Moine et al.		
2008/0174130 A1	7/2008	Lin			2016/0361578 A1*	12/2016	Casebolt	A62B 35/0037
2009/0056088 A1	3/2009	Petzl et al.			2016/0363159 A1	12/2016	Yeh		
2011/0023275 A1	2/2011	Thompson			2016/0376129 A1*	12/2016	Hendrix	F16B 45/02 294/82.2
2011/0138587 A1	6/2011	Walker et al.							
2012/0011688 A1	1/2012	Yang							

* cited by examiner

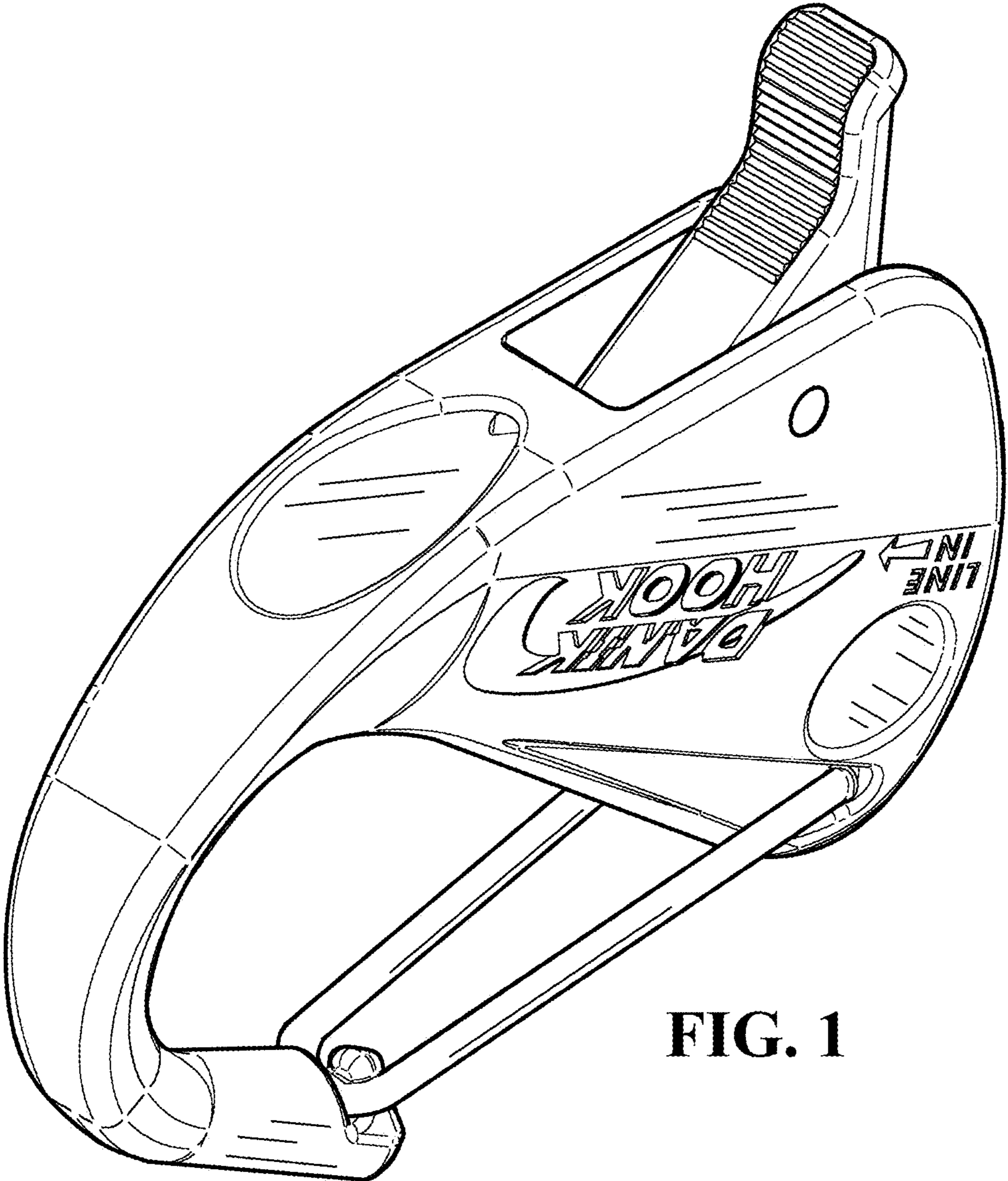


FIG. 1

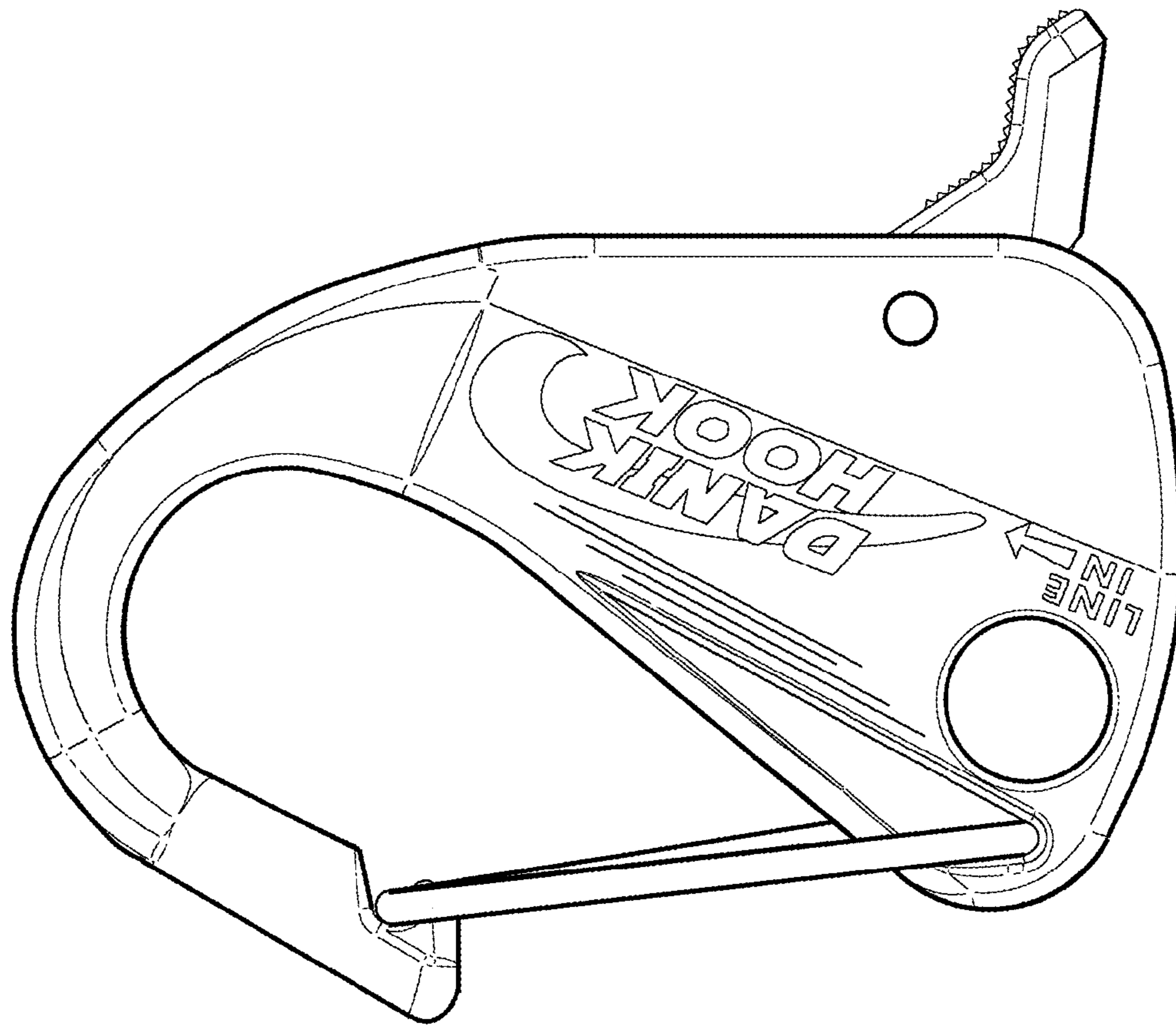


FIG. 2

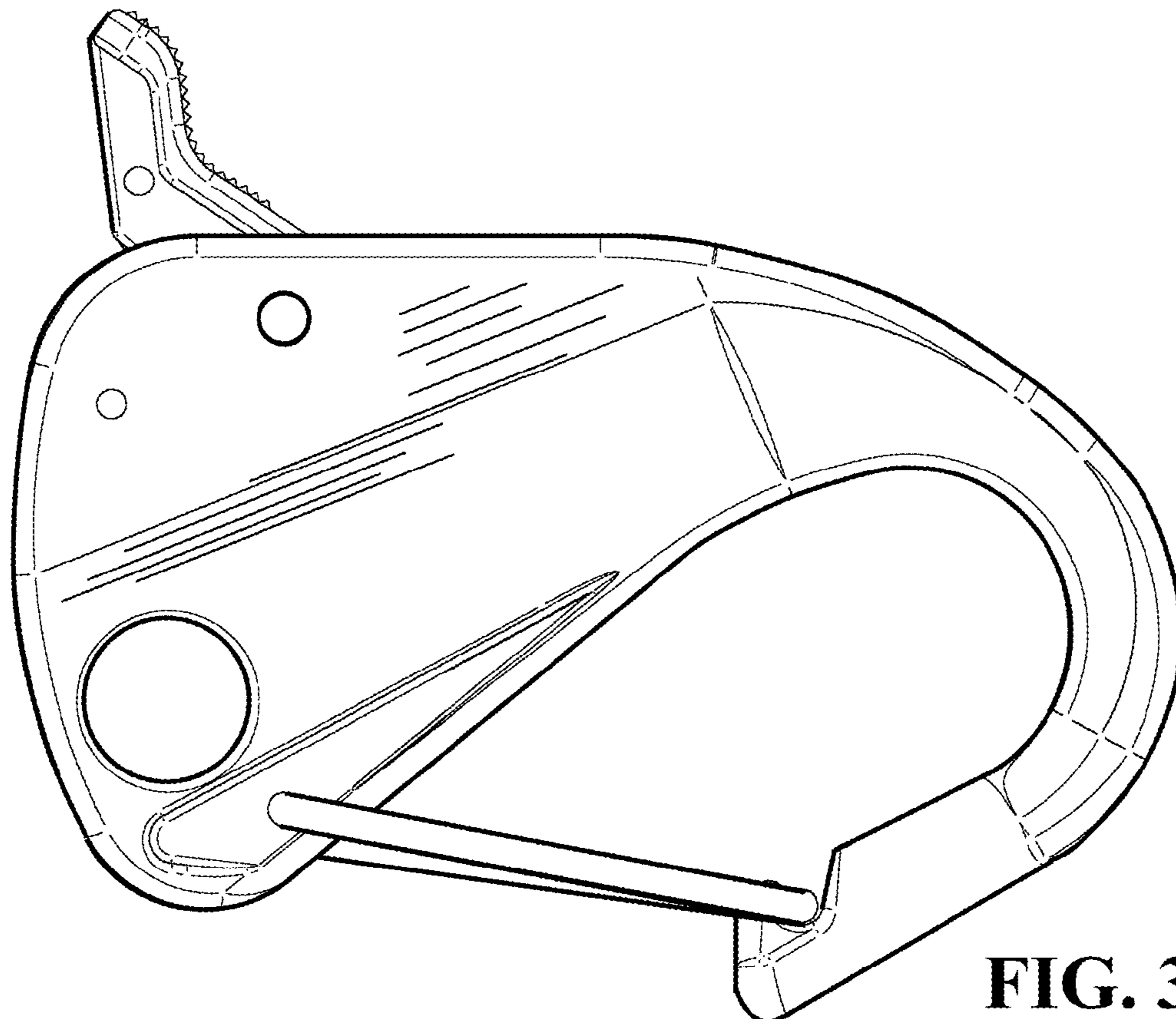


FIG. 3

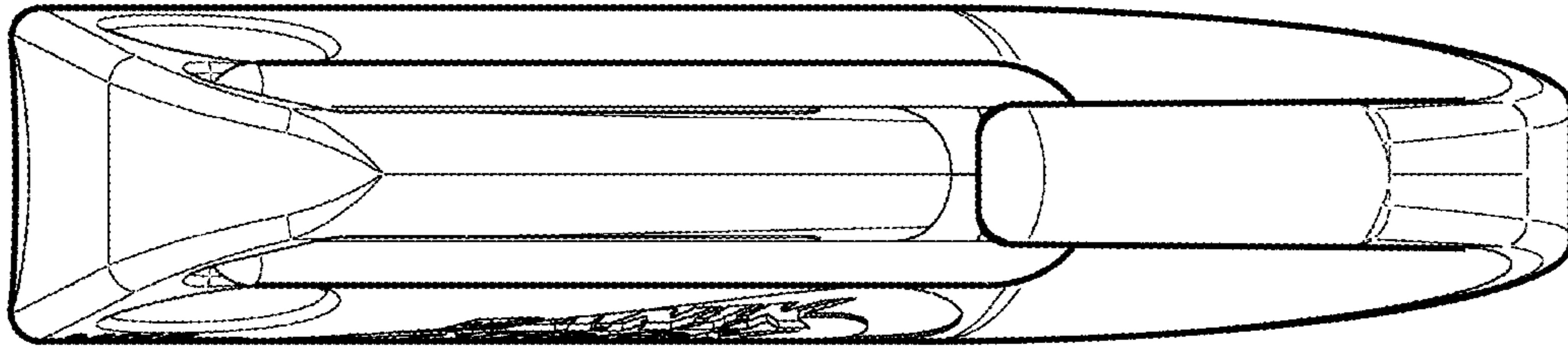


FIG. 4

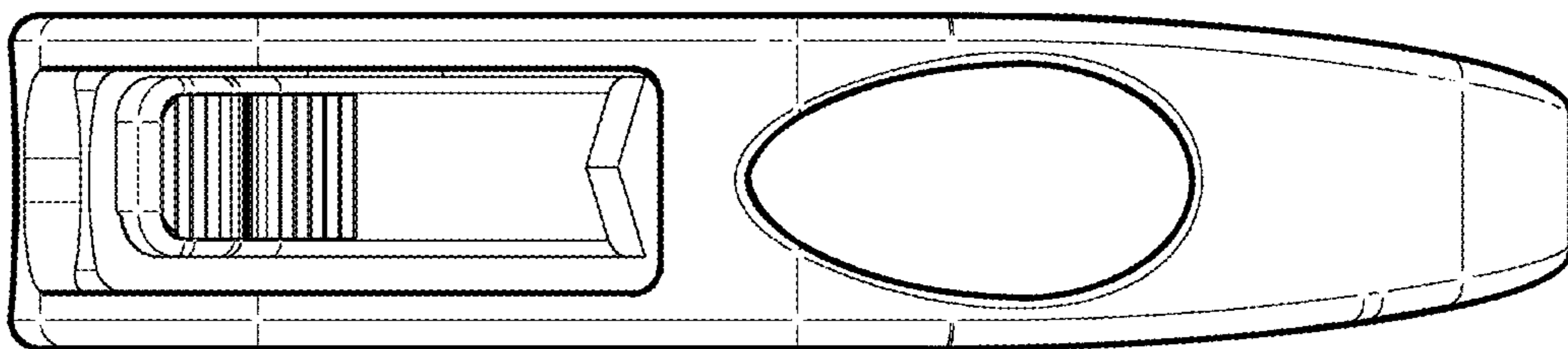


FIG. 5

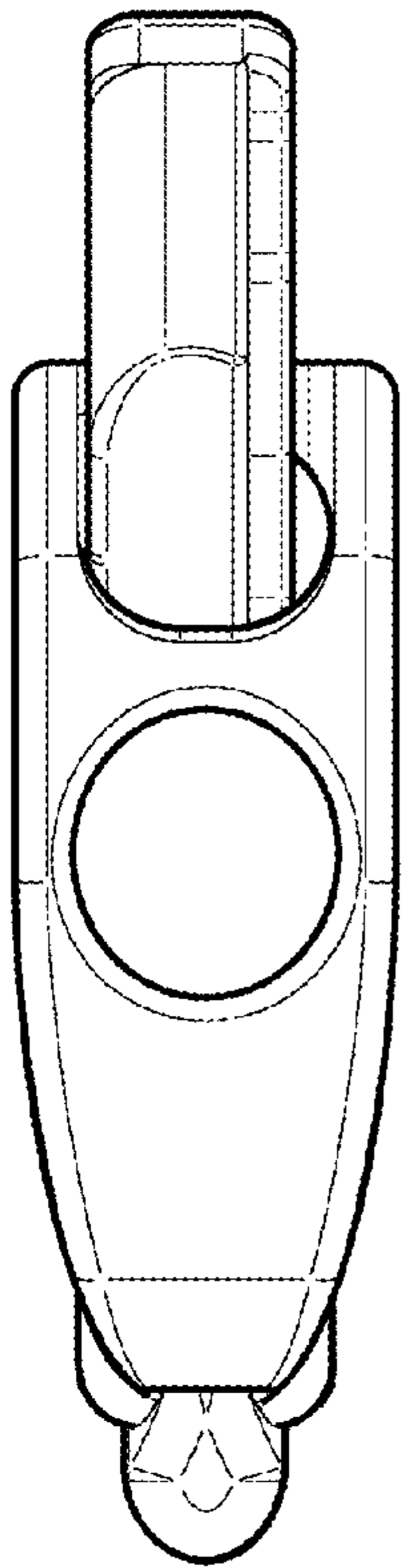


FIG. 6

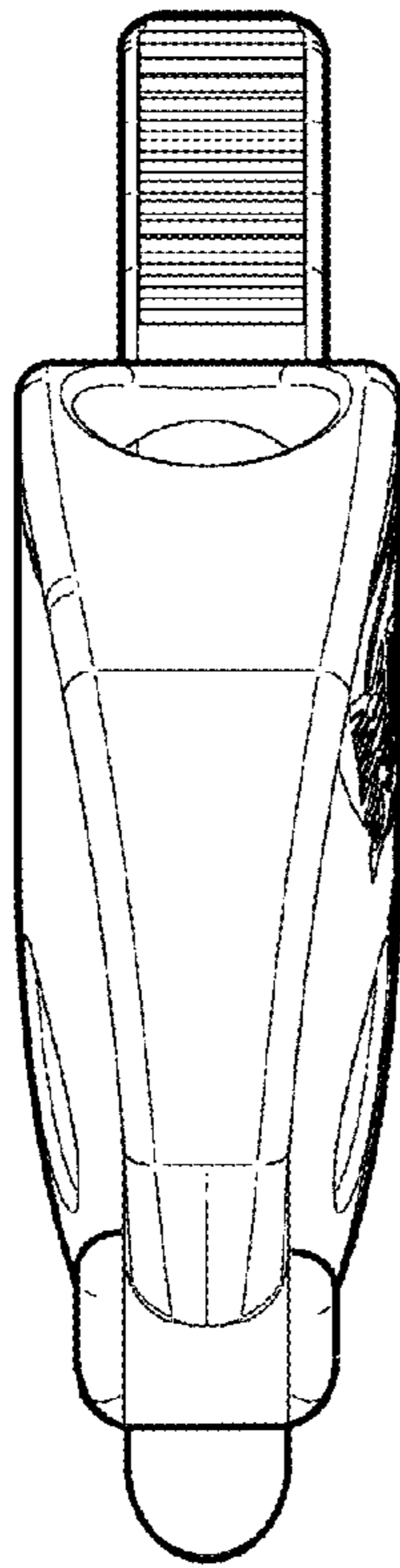


FIG. 7

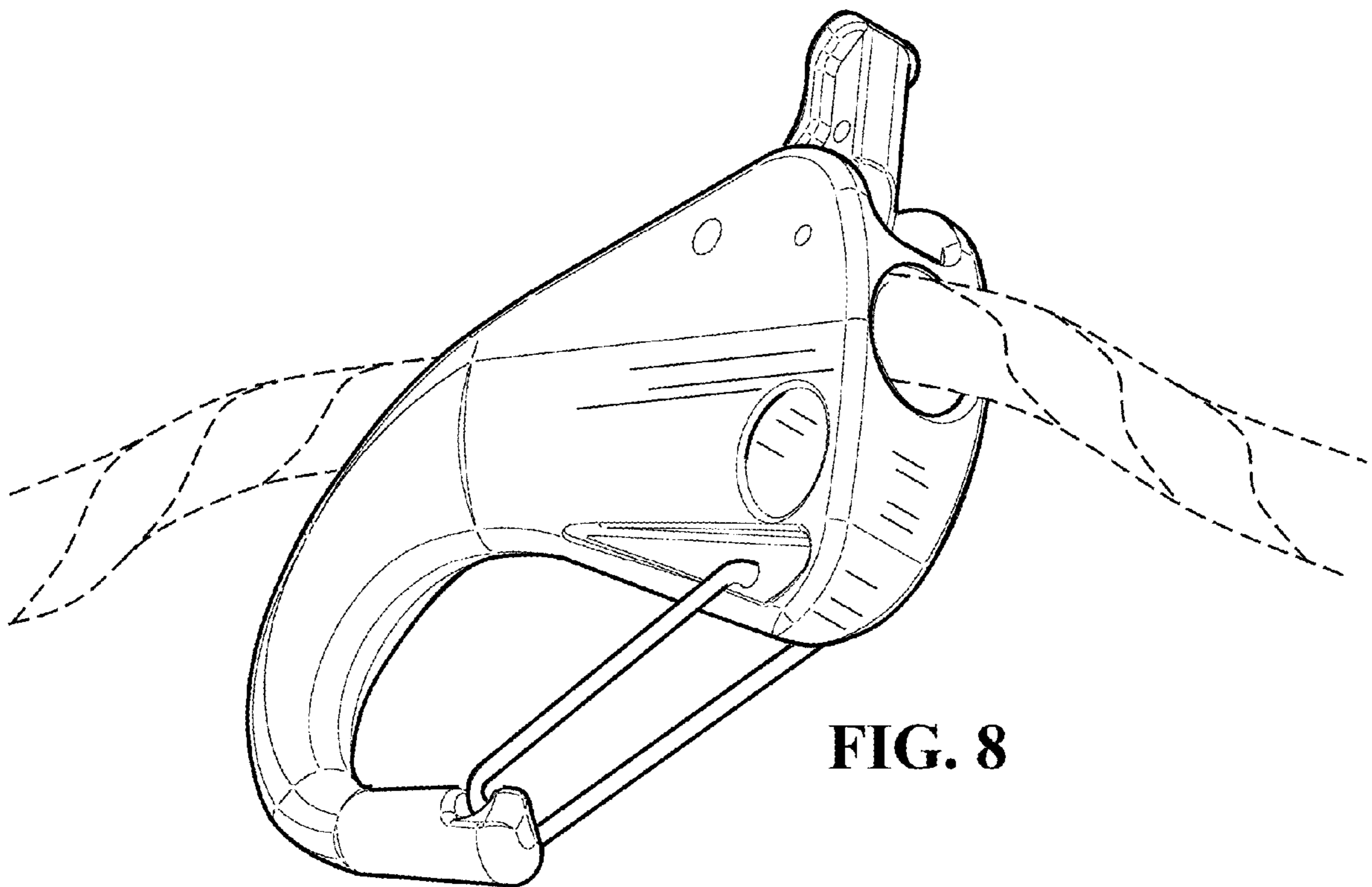


FIG. 8