



US00D932878S

(12) **United States Design Patent**
Tung

(10) **Patent No.:** **US D932,878 S**

(45) **Date of Patent:** **** Oct. 12, 2021**

(54) **BOAT CLEAT**

(71) Applicant: **Marine Town Inc.**, New Taipei (TW)

(72) Inventor: **Chin-Chung Tung**, New Taipei (TW)

(73) Assignee: **MARINE TOWN INC.**, New Taipei (TW)

(**) Term: **15 Years**

(21) Appl. No.: **29/747,501**

(22) Filed: **Aug. 24, 2020**

(51) **LOC (13) Cl.** **09-06**

(52) **U.S. Cl.**

USPC **D8/356**; D12/317

(58) **Field of Classification Search**

USPC D12/223, 317, 400; D8/317, 323, 349, D8/354, 356, 370, 382; D6/301, 315, D6/328

CPC B63B 21/00; B63B 21/04; B63B 21/08; B63B 21/045; B63B 2021/001; B63B 2021/002; B63B 2021/003; F16G 11/00; Y10T 29/49948

See application file for complete search history.

(56) **References Cited**

U.S. PATENT DOCUMENTS

- 3,115,113 A * 12/1963 Ellsworth B63B 21/045
114/218
- 3,828,714 A * 8/1974 Perkins B63B 45/04
114/218
- D239,258 S * 3/1976 Faul D8/382
- D255,419 S * 6/1980 Hume D8/382
- 4,270,478 A * 6/1981 Kafka F16G 11/046
114/218
- 4,809,634 A * 3/1989 Czipri B63B 21/045
114/218
- D301,683 S * 6/1989 Whitley, II D8/356
- 4,845,597 A * 7/1989 McCaghren B63B 45/04
362/477

- 4,890,566 A * 1/1990 Morris B60P 7/0807
114/218
- 4,945,849 A * 8/1990 Morris B60P 7/0807
114/218
- 5,004,388 A * 4/1991 Harris B63B 21/045
114/218
- 5,106,248 A * 4/1992 Harris B63B 21/045
114/218

(Continued)

FOREIGN PATENT DOCUMENTS

- DE 29804651 U1 * 7/1998 B63B 21/045
- WO WO-8201173 A1 * 4/1982 B63B 21/045
- WO WO-9206887 A1 * 4/1992 B63B 21/045

OTHER PUBLICATIONS

Flat push-up cleat, Published date unavailable [online], [retrieved on Aug. 18, 2021]. Retrieved from the Internet: <https://www.osculati.com/en/11282-m-033583/flat-push-up-cleat,-extra-low-profile> (Year: 2021).*

Primary Examiner — Christian P. McLean

Assistant Examiner — Adam C Mager

(74) *Attorney, Agent, or Firm* — WPAT, PC

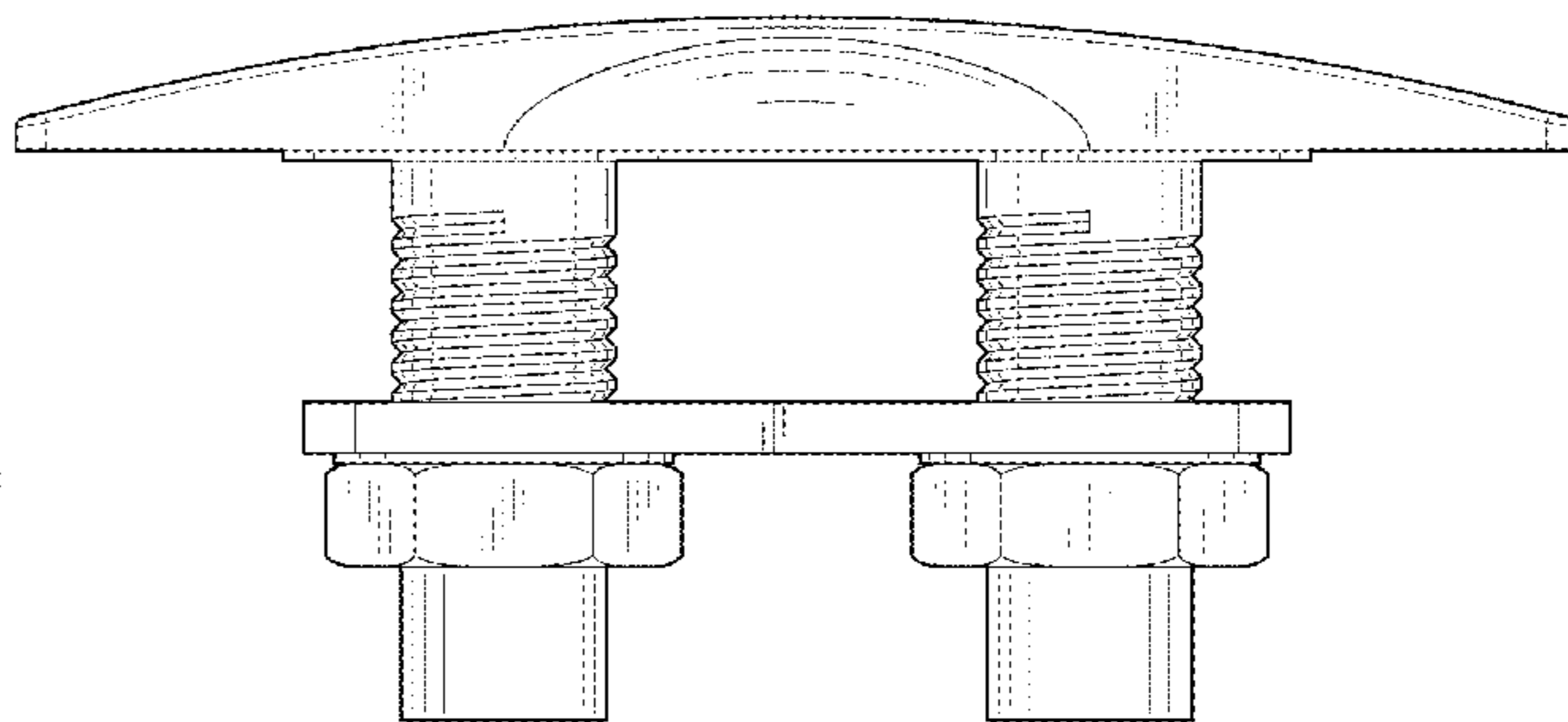
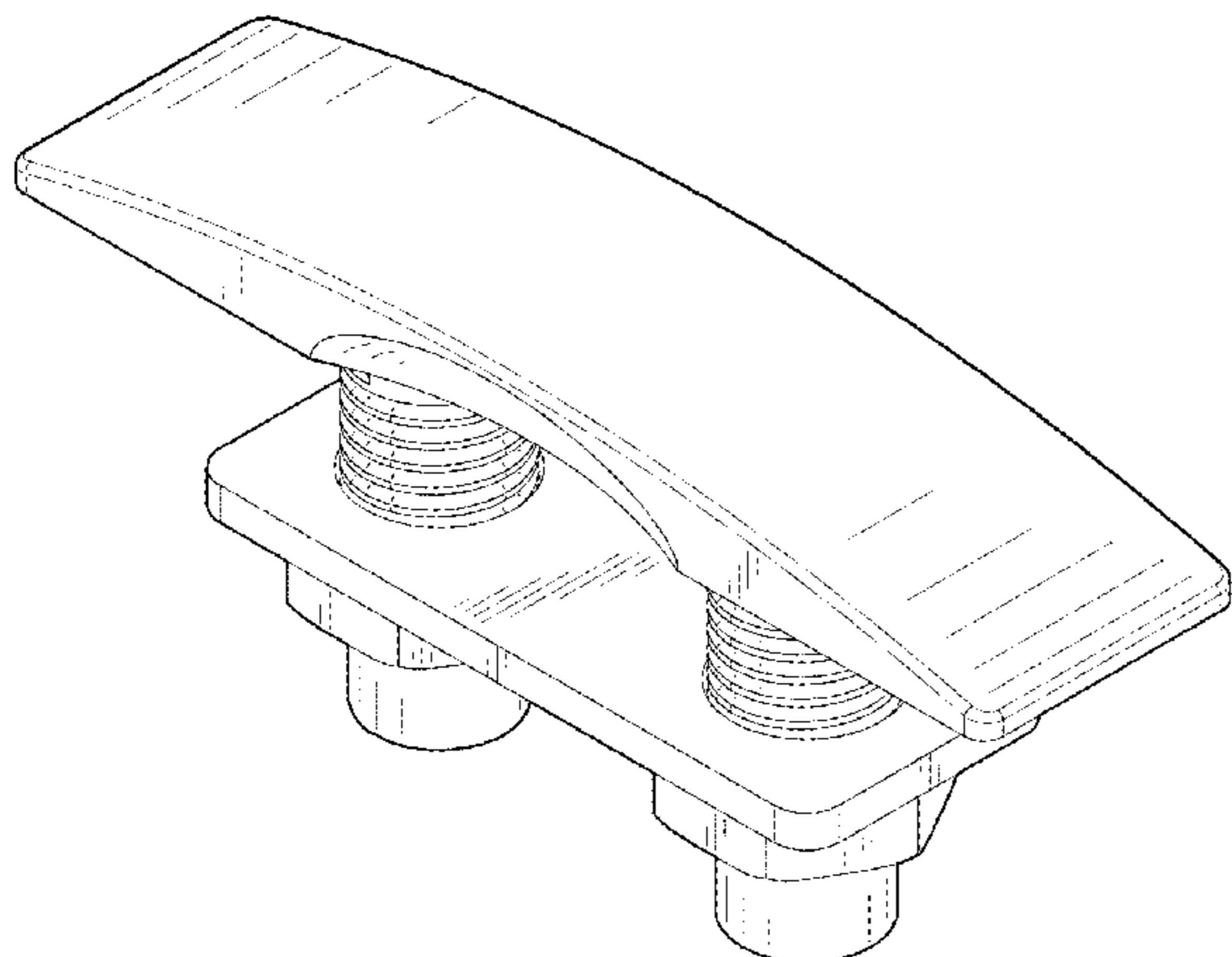
(57) **CLAIM**

The ornamental design for a boat cleat, as shown and described.

DESCRIPTION

FIG. 1 is a perspective view of a boat cleat showing my new design;
 FIG. 2 is a front elevational view thereof;
 FIG. 3 is a rear elevational view thereof;
 FIG. 4 is a left side elevational view thereof;
 FIG. 5 is a right side elevational view thereof;
 FIG. 6 is a top plan view thereof;
 FIG. 7 is a bottom plan view thereof; and,
 FIG. 8 is another perspective view thereof.

1 Claim, 8 Drawing Sheets



(56)

References Cited

U.S. PATENT DOCUMENTS

5,301,627 A * 4/1994 Czipri B63B 21/045
114/218
D355,352 S * 2/1995 Whitley, II D8/356
5,477,801 A * 12/1995 Lawrence B63B 21/045
114/218
5,535,694 A * 7/1996 Czipri B63B 21/045
114/218
5,983,820 A * 11/1999 Whitley B63B 21/045
114/218
6,125,779 A * 10/2000 Czipri B63B 21/045
114/218
D438,837 S * 3/2001 Wheatley D12/223
6,588,355 B1 * 7/2003 Whitley, II B63B 21/045
114/218
6,651,576 B1 * 11/2003 Lo B63B 21/045
114/218
D495,232 S * 8/2004 Fields D8/315
6,899,048 B1 * 5/2005 Lo B63B 21/045
114/218
6,901,874 B2 * 6/2005 Lo B63B 21/045
114/218
6,968,796 B1 * 11/2005 Burke B63B 21/045
114/218
7,032,528 B2 * 4/2006 Amy B63B 21/04
114/218
D551,540 S * 9/2007 Czipri D12/317
7,318,390 B2 * 1/2008 Amy B63B 21/04
114/218

D561,675 S * 2/2008 Czipri D12/317
8,393,285 B2 * 3/2013 Cleveland B63B 21/045
114/218
8,402,907 B2 * 3/2013 Cleveland B63B 21/045
114/218
D708,936 S * 7/2014 Bridgewater D8/382
8,833,285 B1 * 9/2014 Czipri B63B 21/045
114/218
D760,070 S * 6/2016 Sarnowski D8/382
D813,141 S * 3/2018 Curts D12/308
D813,142 S * 3/2018 Curts D12/308
9,919,768 B1 * 3/2018 Brookins B63B 21/045
10,046,832 B1 * 8/2018 Brookins B63B 21/08
2002/0170480 A1 * 11/2002 Pape B63B 21/045
114/218
2004/0099197 A1 * 5/2004 King B63B 21/045
114/218
2005/0081773 A1 * 4/2005 Amy B63B 21/04
114/230.1
2005/0082437 A1 * 4/2005 Lo B63B 21/045
248/49
2005/0252436 A1 * 11/2005 King B63B 21/04
114/218
2006/0112869 A1 * 6/2006 King B63B 13/00
114/218
2008/0121161 A1 * 5/2008 Pugh B63B 21/045
114/218
2011/0297065 A1 * 12/2011 Cleveland B63B 21/045
114/218

* cited by examiner

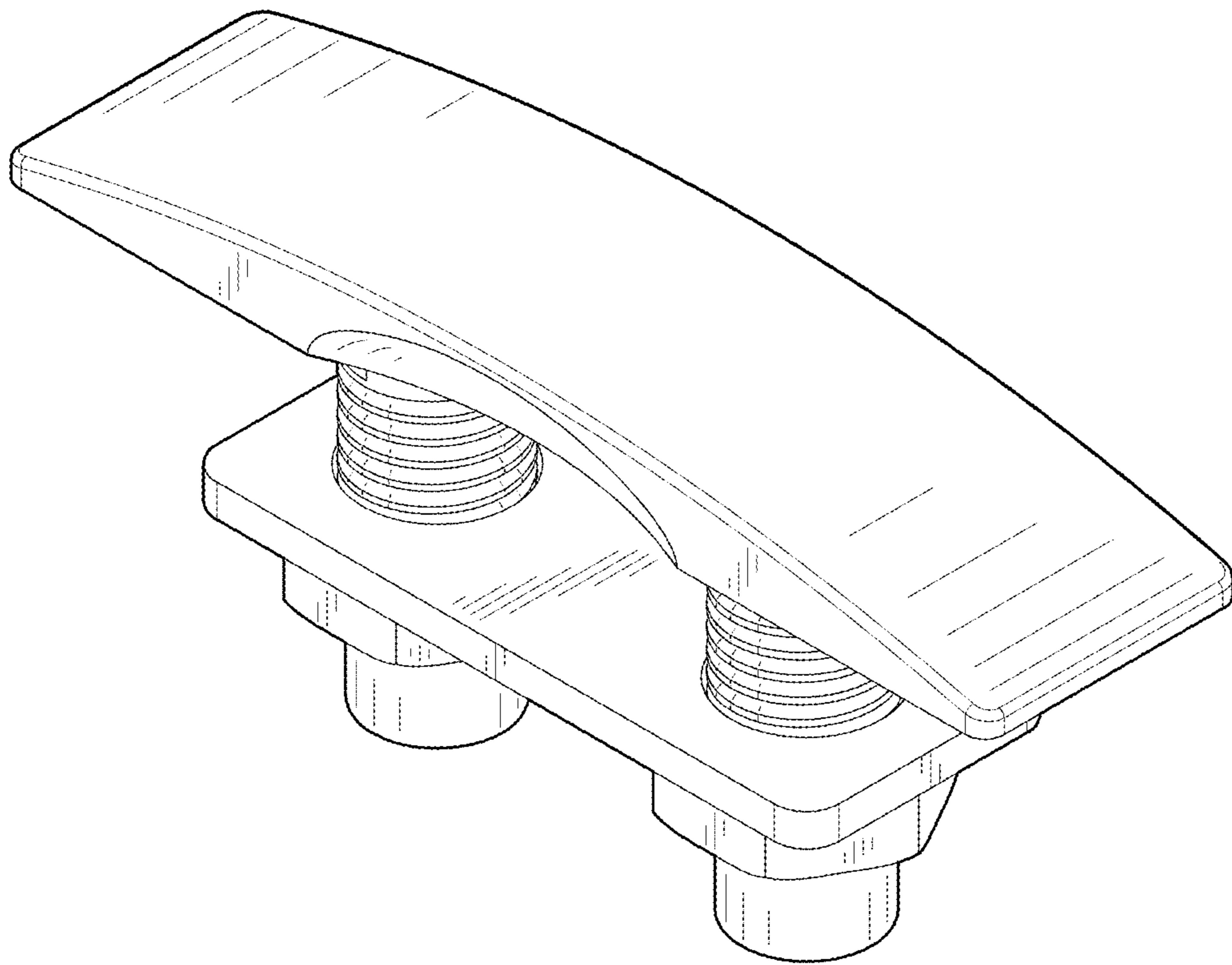


FIG. 1

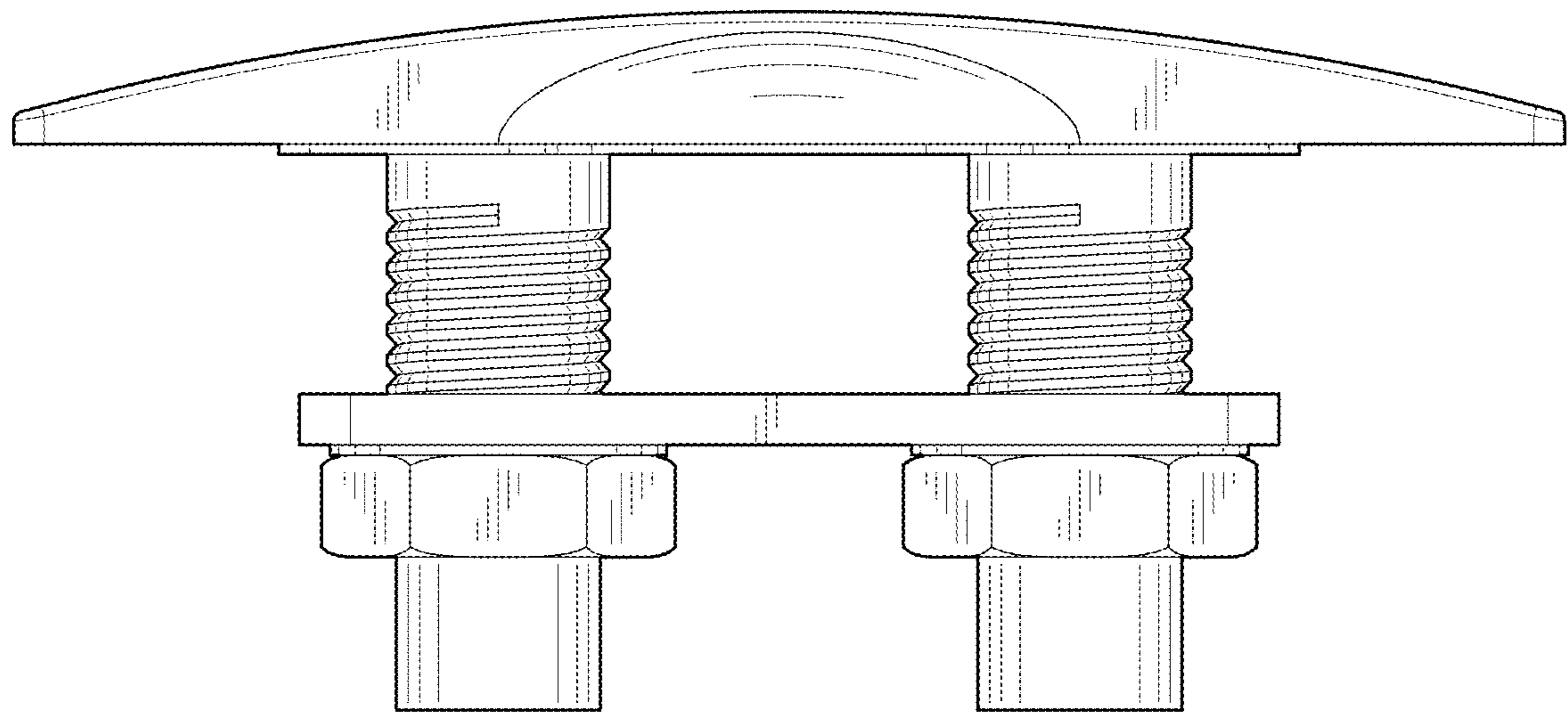


FIG. 2

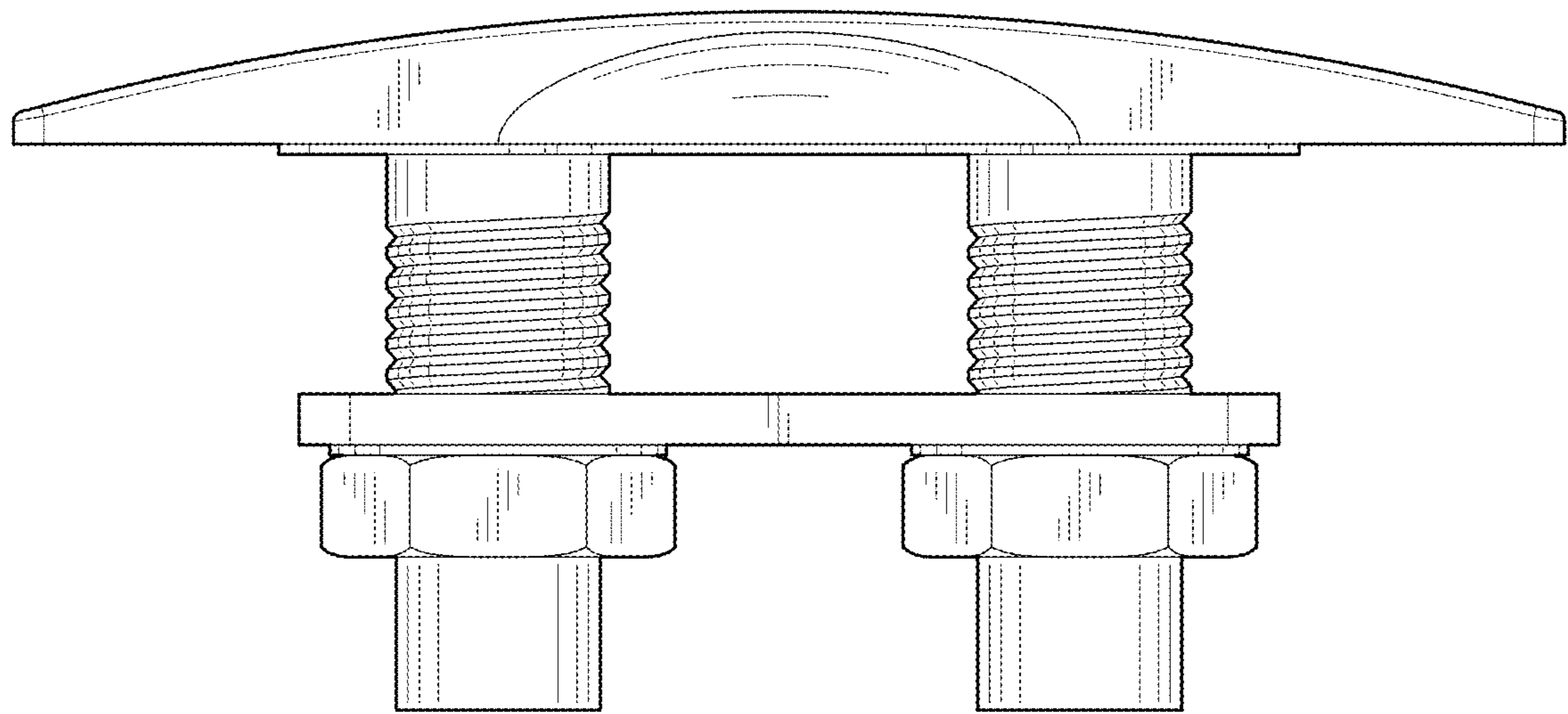


FIG. 3

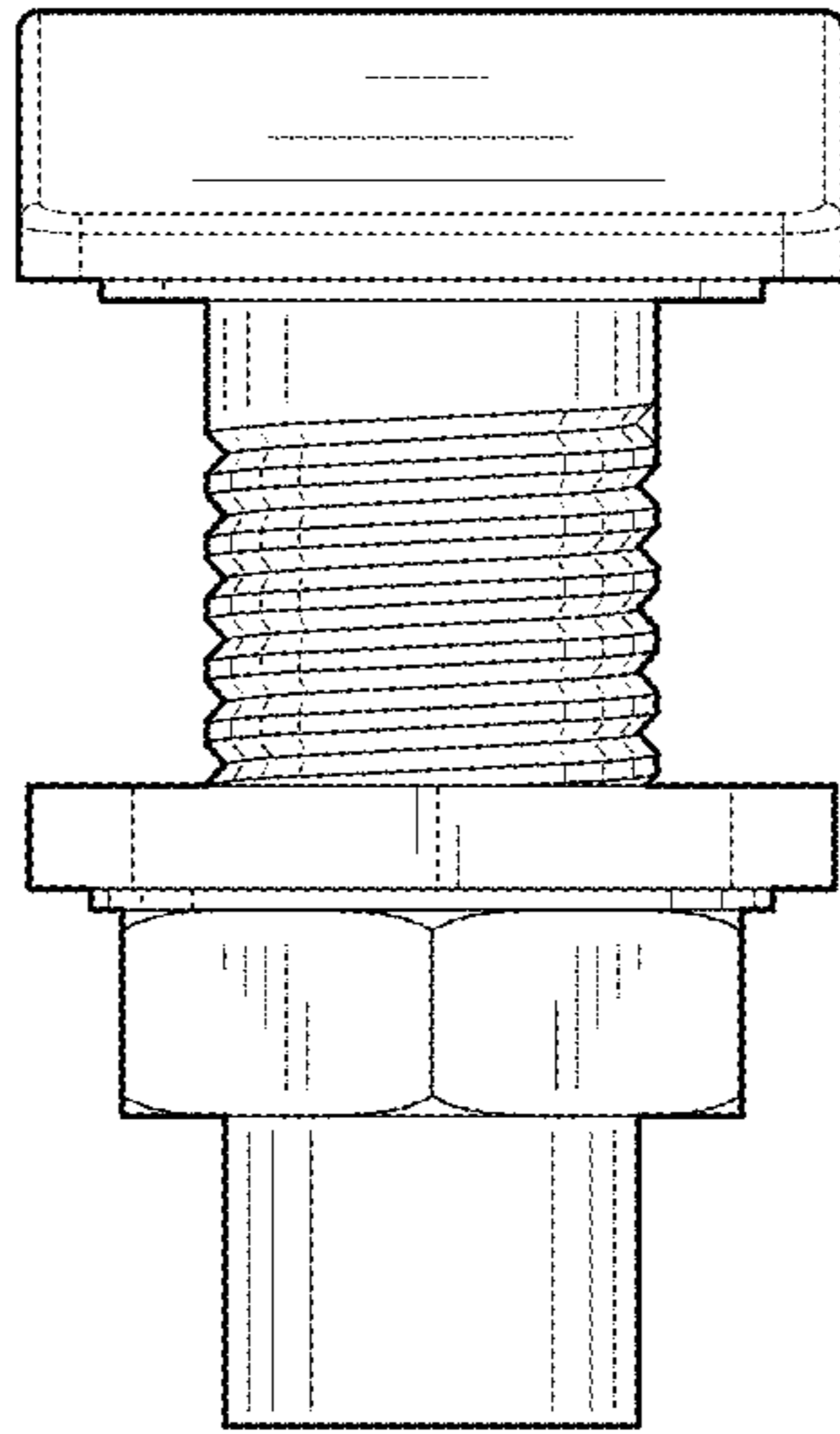


FIG. 4

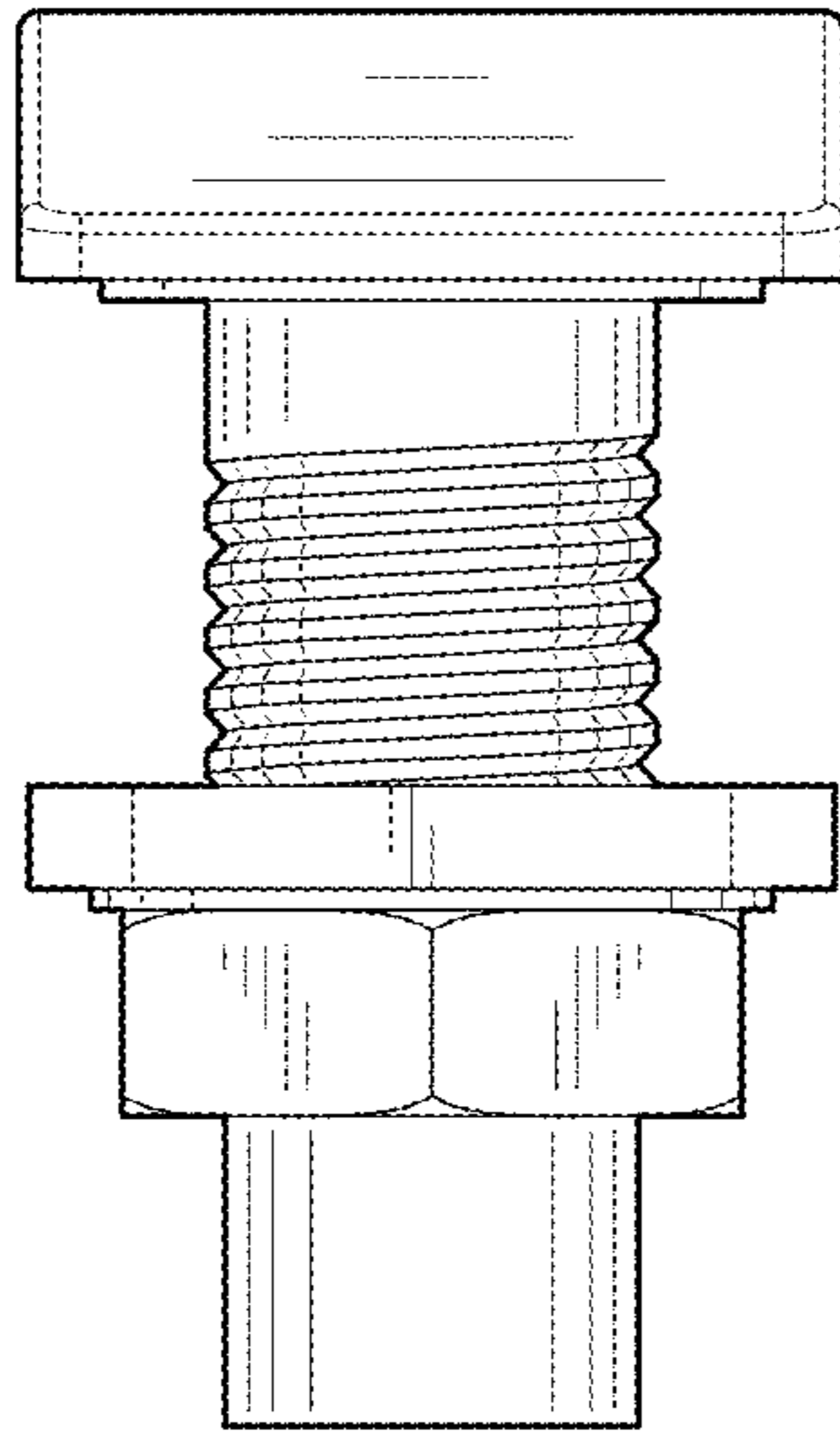


FIG. 5

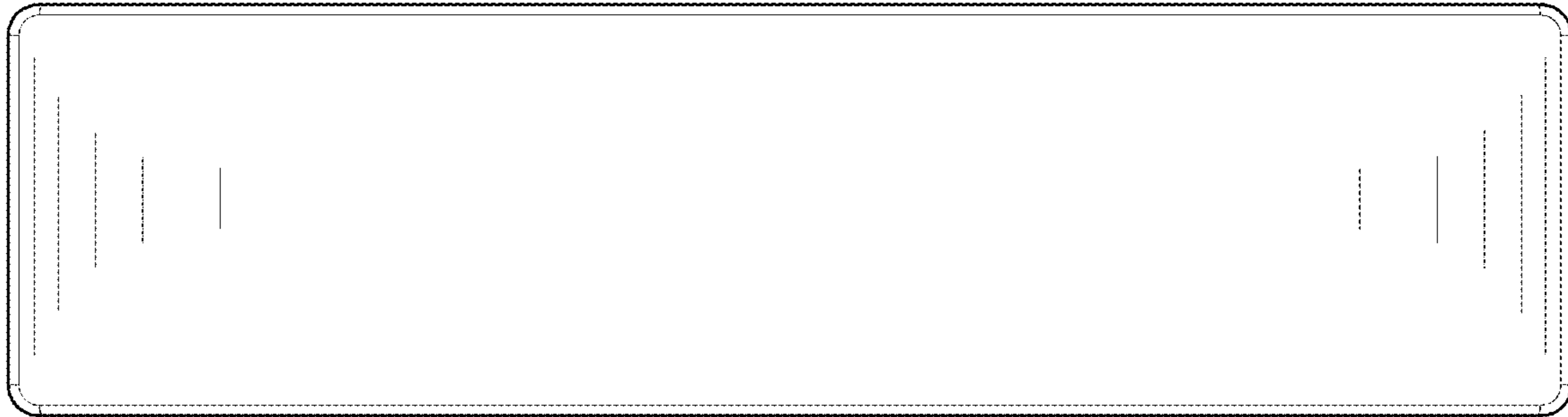


FIG. 6

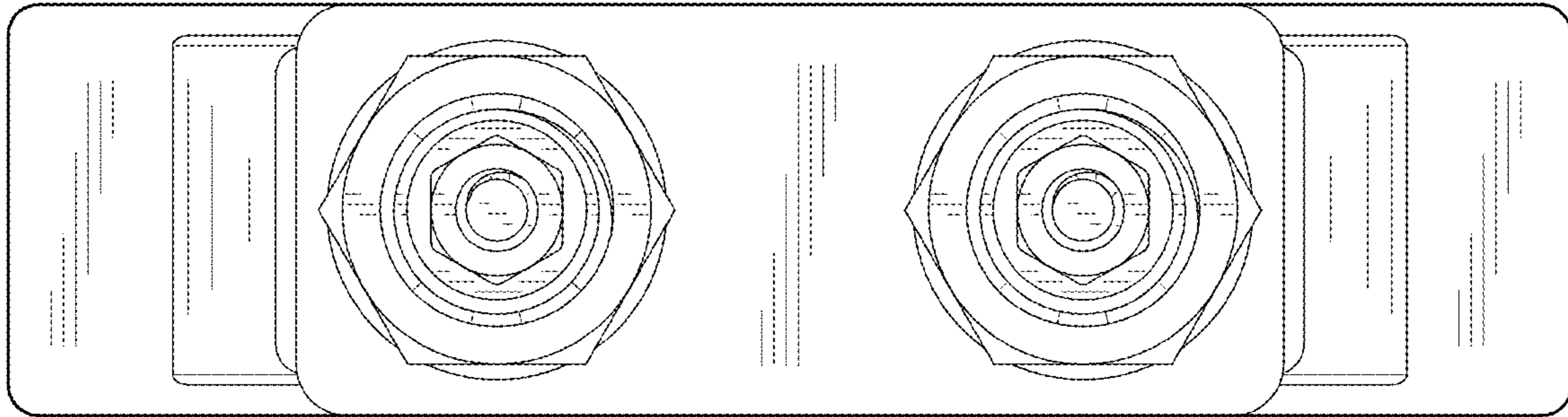


FIG. 7

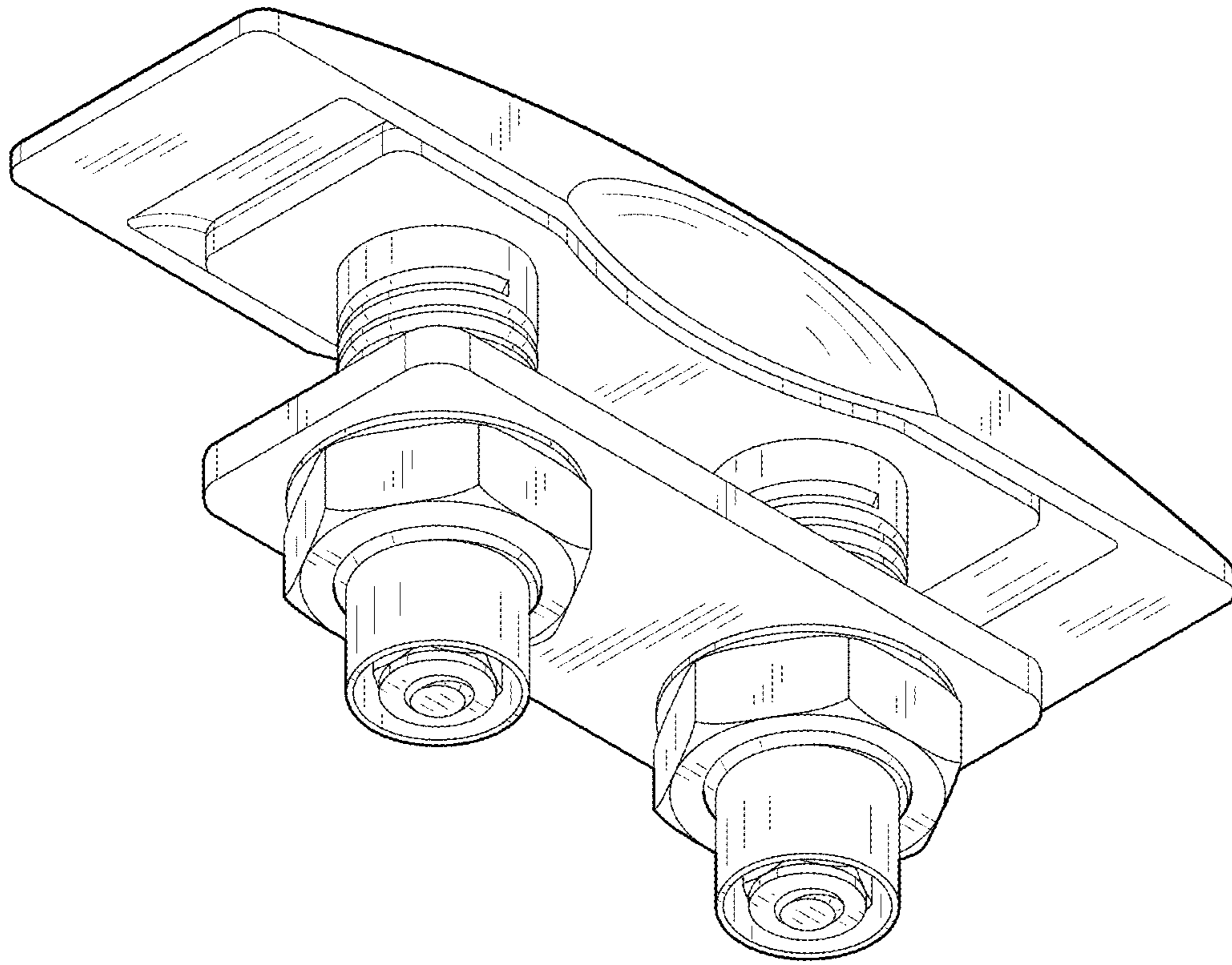


FIG. 8