



US00D932877S

(12) **United States Design Patent** (10) **Patent No.:** **US D932,877 S**  
**Su** (45) **Date of Patent:** **\*\* Oct. 12, 2021**

(54) **SEWER HOSE SUPPORT**  
(71) Applicant: **Peng Su**, Zhejiang (CN)  
(72) Inventor: **Peng Su**, Zhejiang (CN)  
(73) Assignee: **Hangzhou Sweet I&E Co., Ltd.**,  
Zhejiang (CN)  
(\*\*) Term: **15 Years**  
(21) Appl. No.: **29/729,214**  
(22) Filed: **Mar. 25, 2020**  
(51) **LOC (13) Cl.** ..... **09-06**  
(52) **U.S. Cl.**  
USPC ..... **D8/356**  
(58) **Field of Classification Search**  
USPC ..... D6/323; D8/356, 354, 349, 358, 373,  
D8/379, 367, 394, 18, 105, 396;  
248/68.1, 89, 341, 49; 137/355.16;  
242/400.1; 211/60.1; D24/128;  
D11/208, 218  
CPC ..... B65G 7/12; A62C 33/04; B65H 75/366  
See application file for complete search history.

7,434,771 B1 \* 10/2008 Tai ..... F16L 3/00  
138/106  
D621,417 S \* 8/2010 McGarry ..... D15/5  
D640,914 S \* 7/2011 Hsieh ..... D8/356  
D643,708 S \* 8/2011 Hecht ..... D8/394  
D669,761 S \* 10/2012 Angel ..... D8/356  
8,336,833 B2 \* 12/2012 Peacock ..... E04G 15/061  
248/68.1  
8,882,058 B2 \* 11/2014 Marshall ..... F16L 3/20  
248/74.2  
9,365,168 B2 \* 6/2016 Boutin ..... B60R 15/04  
10,533,685 B2 \* 1/2020 Blundell ..... F16B 5/002

\* cited by examiner

Primary Examiner — Cynthia R Underwood

(57) **CLAIM**

The ornamental design for a sewer hose support, as shown and described.

**DESCRIPTION**

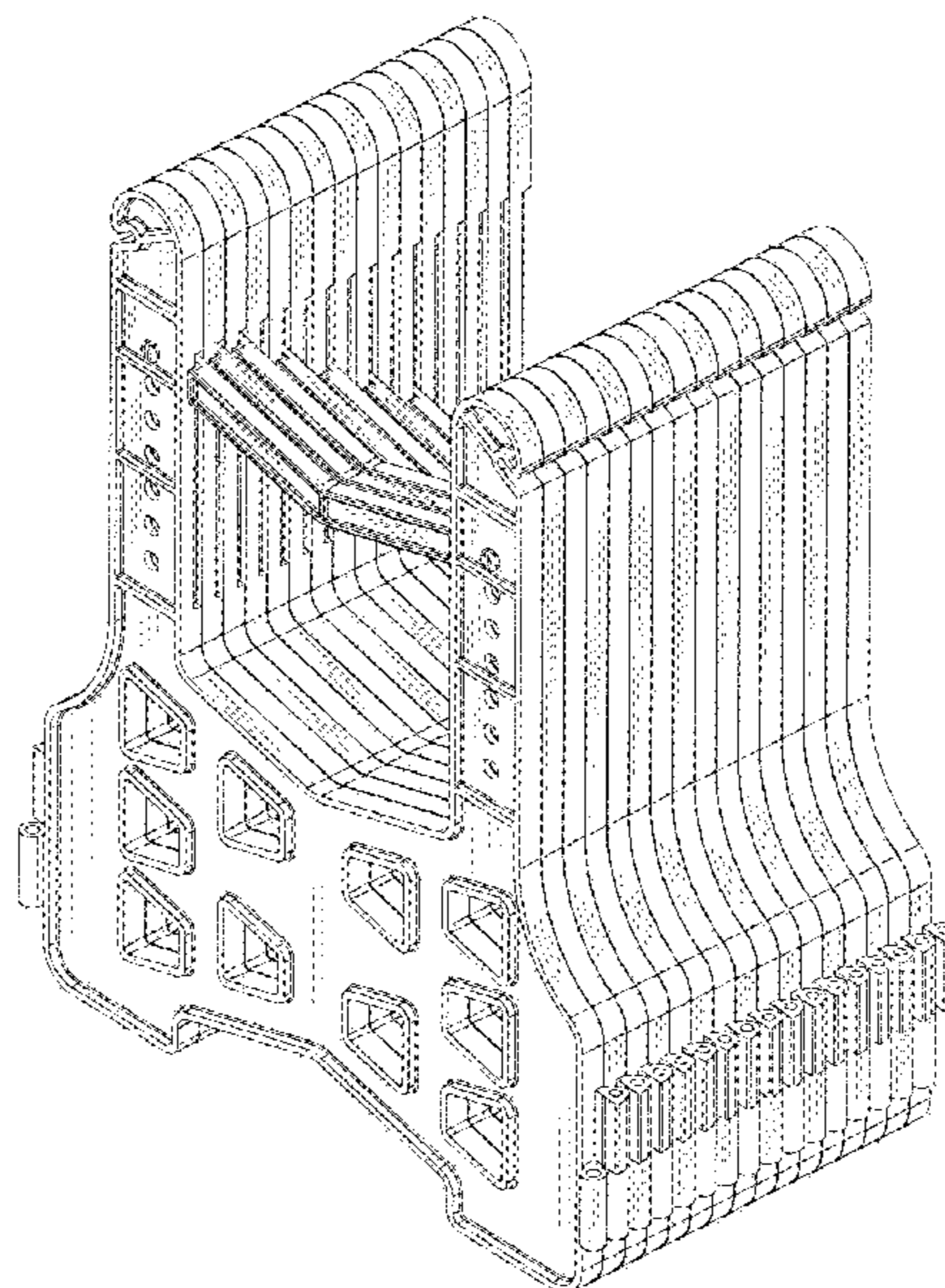
FIG. 1 is a perspective view of a sewer hose support showing my new design;  
FIG. 2 is a front elevation view thereof;  
FIG. 3 is a rear elevation view thereof;  
FIG. 4 is a left side elevation view thereof;  
FIG. 5 is a right side elevation view thereof;  
FIG. 6 is a top plan view thereof;  
FIG. 7 is a bottom plan view thereof;  
FIG. 8 is a perspective view thereof in a unfolded state;  
FIG. 9 is an enlarged view of the sewer hose support taken from the circle part in FIG. 2;  
FIG. 10 is an enlarged view of the sewer hose support taken from the circle part in FIG. 3; and,  
FIG. 11 is an enlarged view of the sewer hose support taken from the circle part in FIG. 8.  
The broken lines depict environment only and form no part of the claimed design.

**1 Claim, 11 Drawing Sheets**

(56) **References Cited**

**U.S. PATENT DOCUMENTS**

4,442,991 A \* 4/1984 Levens ..... B65G 1/14  
108/55.3  
4,722,500 A \* 2/1988 Bray ..... F16L 3/00  
138/106  
D417,611 S \* 12/1999 van de Lande ..... D8/356  
D468,622 S \* 1/2003 Sarkinen ..... D8/356  
6,619,596 B1 \* 9/2003 Caine ..... B60R 15/00  
138/106  
7,070,459 B2 \* 7/2006 Denovich ..... G02B 6/4452  
385/134  
D555,202 S \* 11/2007 Siegel ..... D19/90  
7,425,028 B1 \* 9/2008 Angel ..... B60R 11/00  
16/422



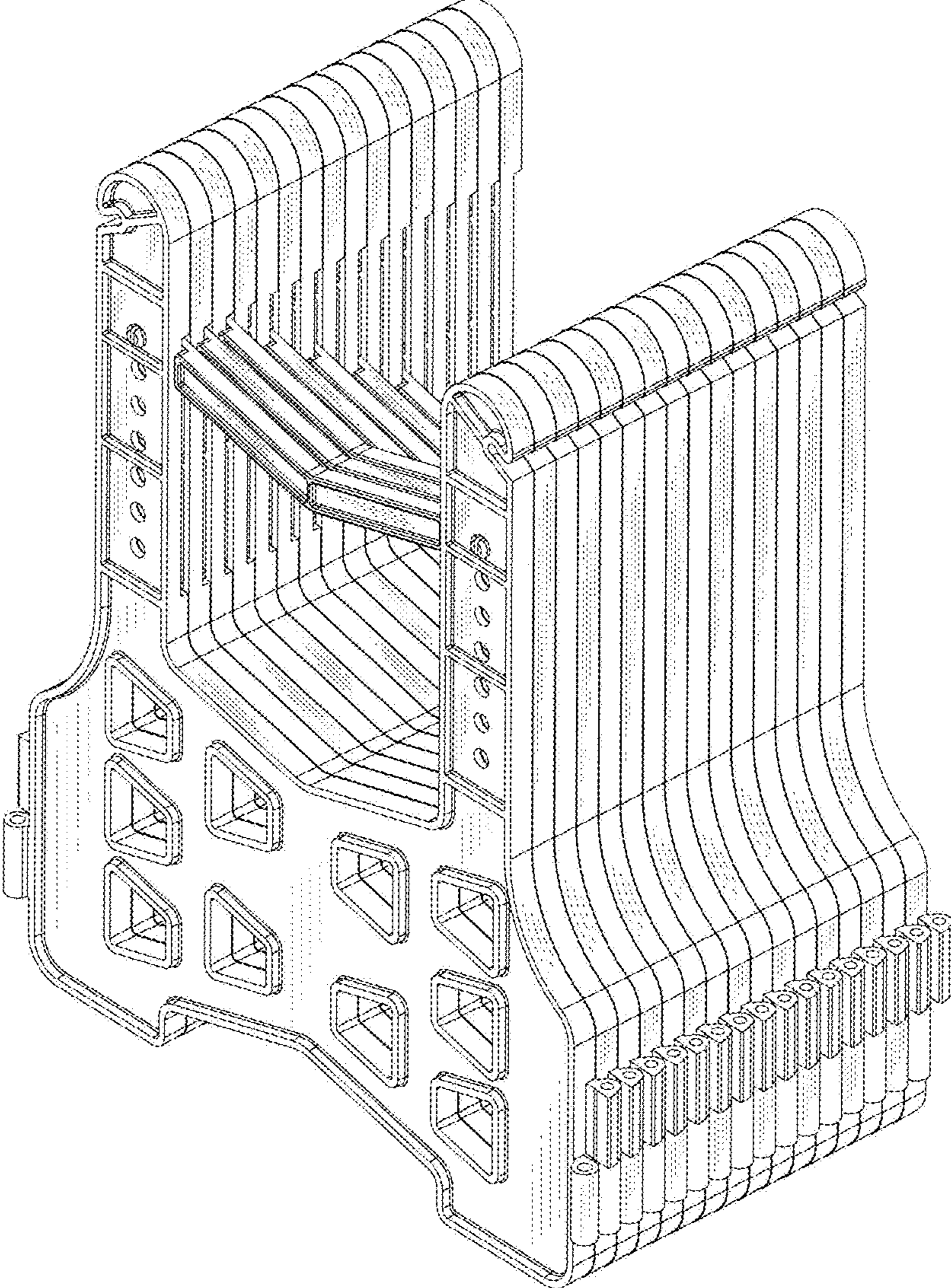


FIG.1

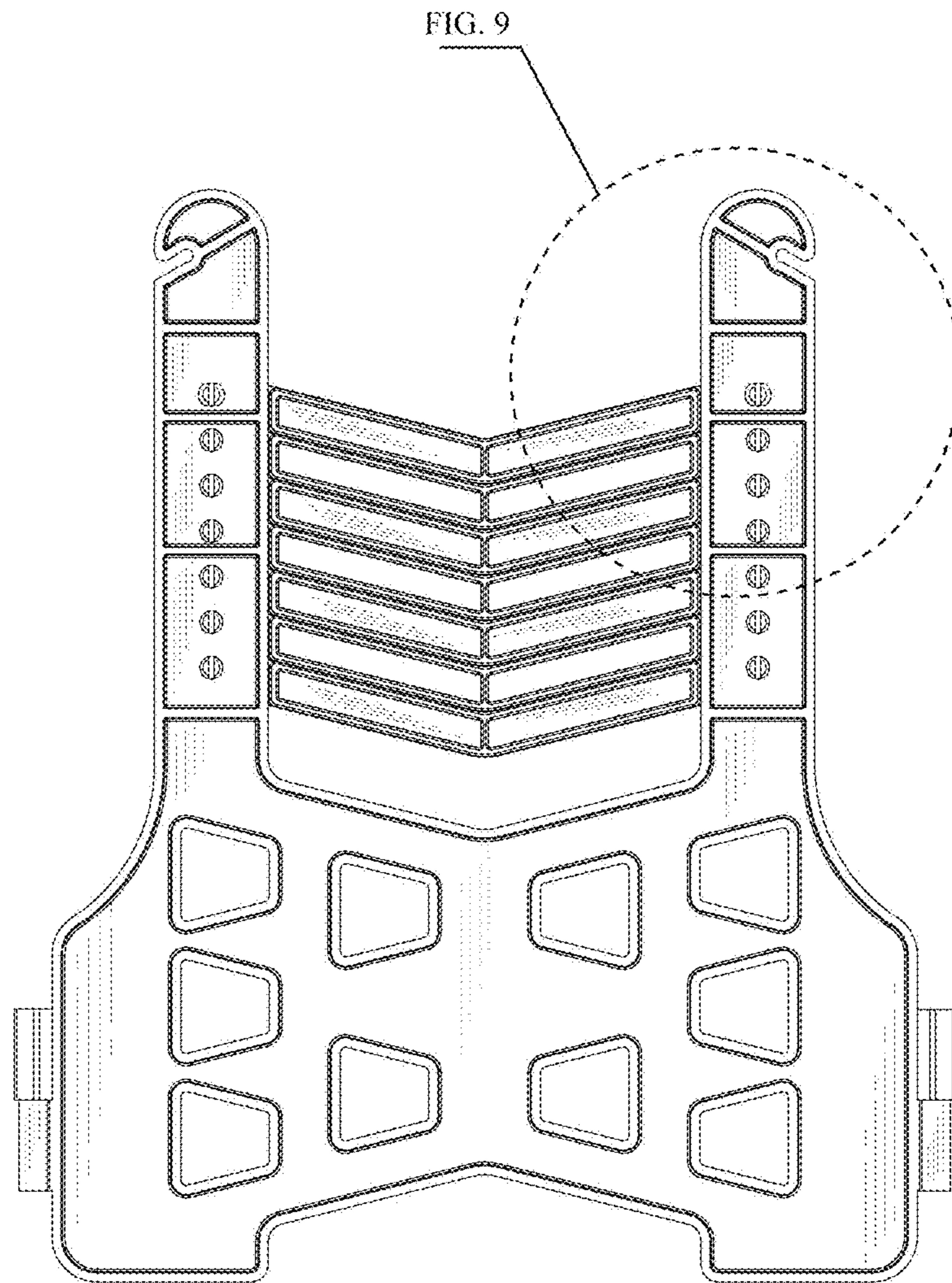


FIG.2

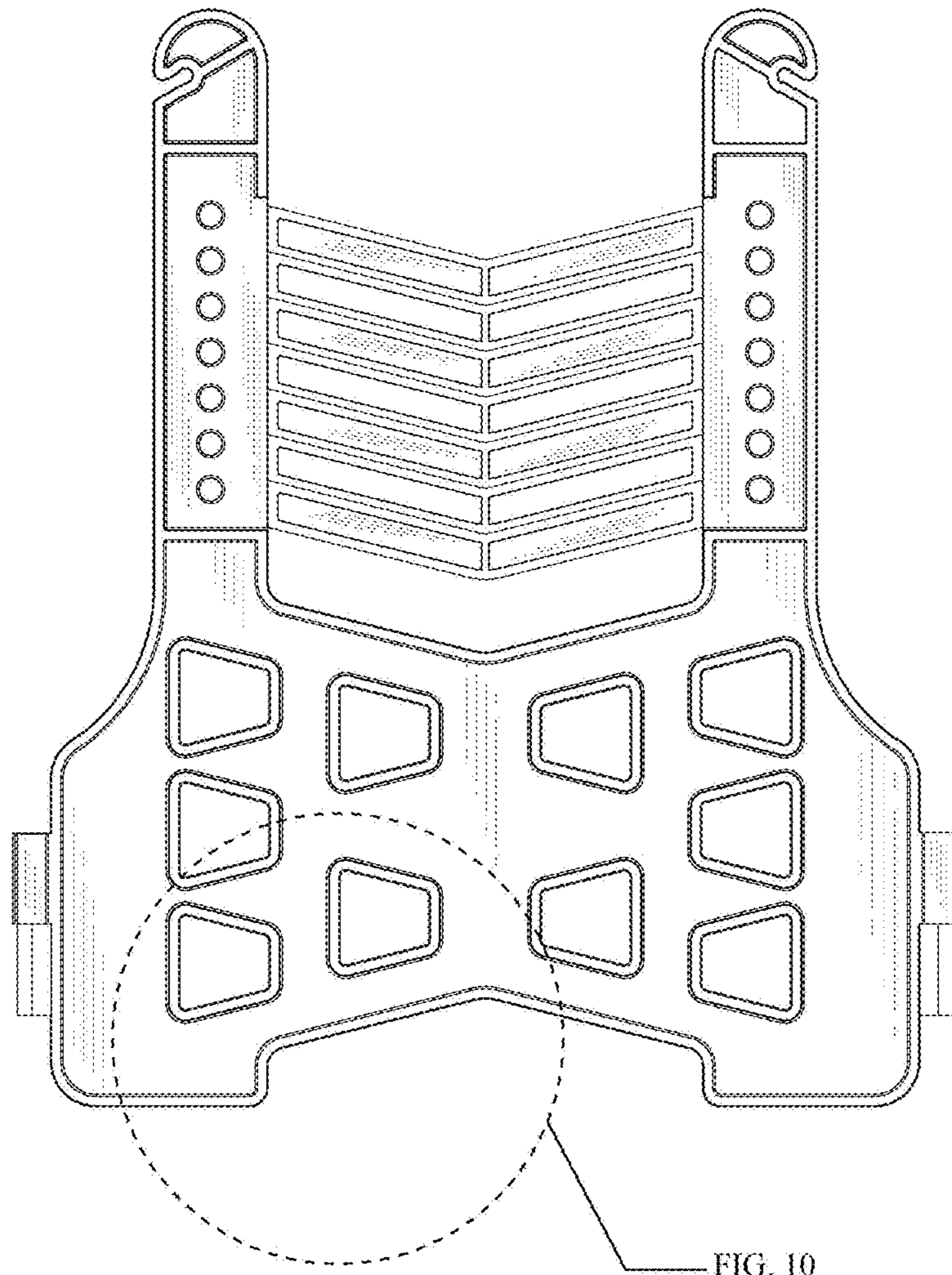


FIG. 10

FIG.3

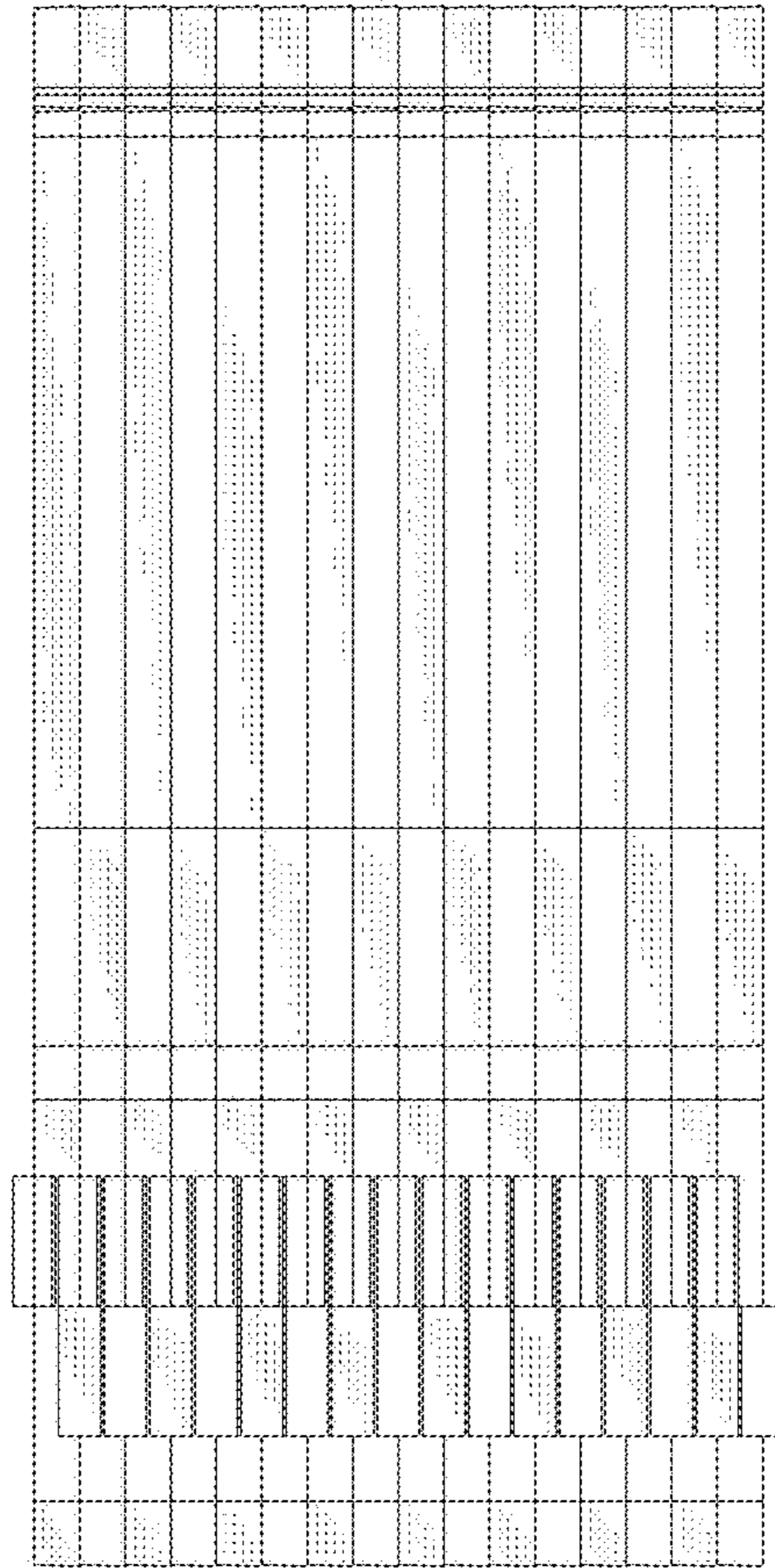


FIG.4

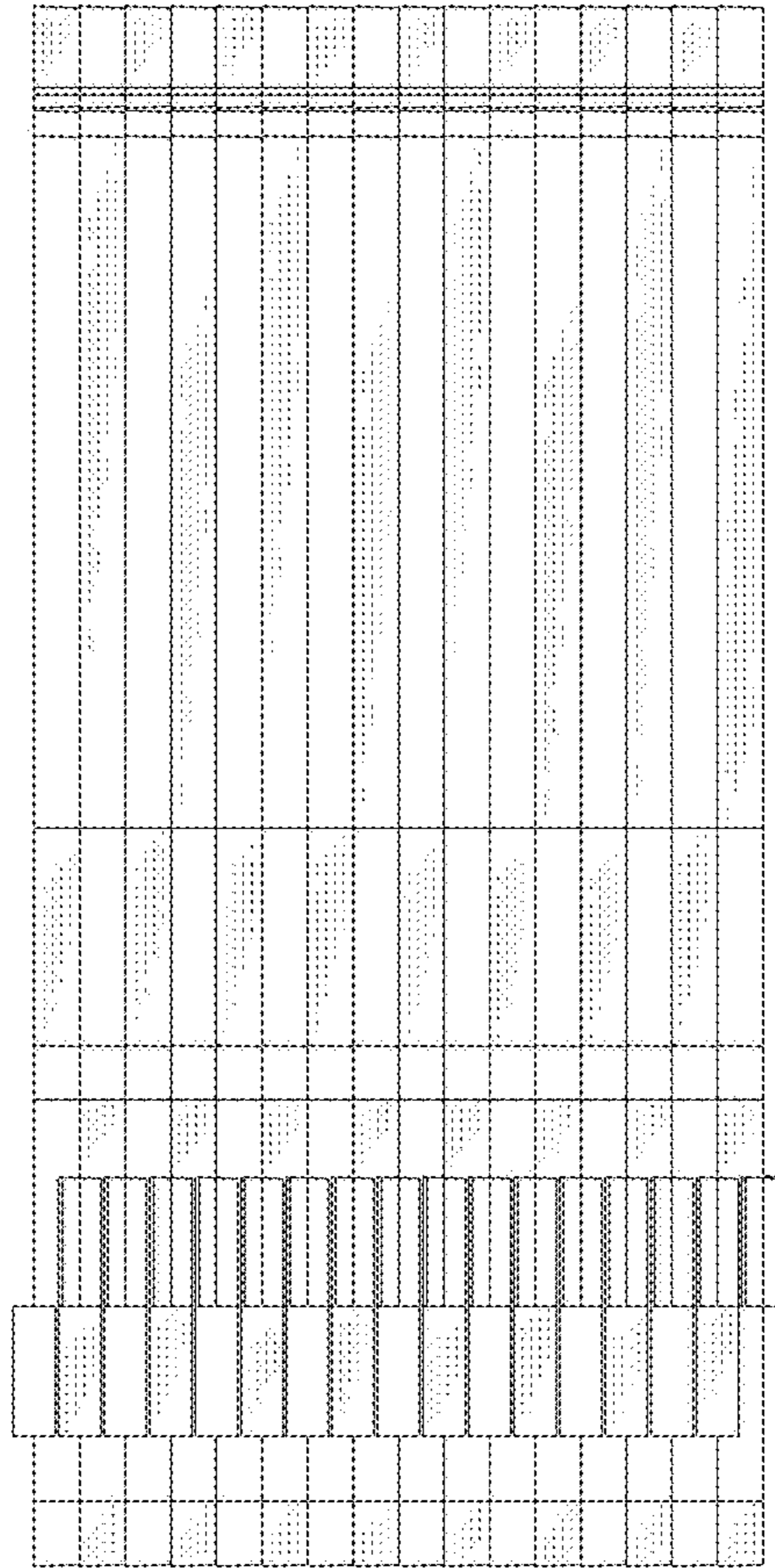


FIG.5

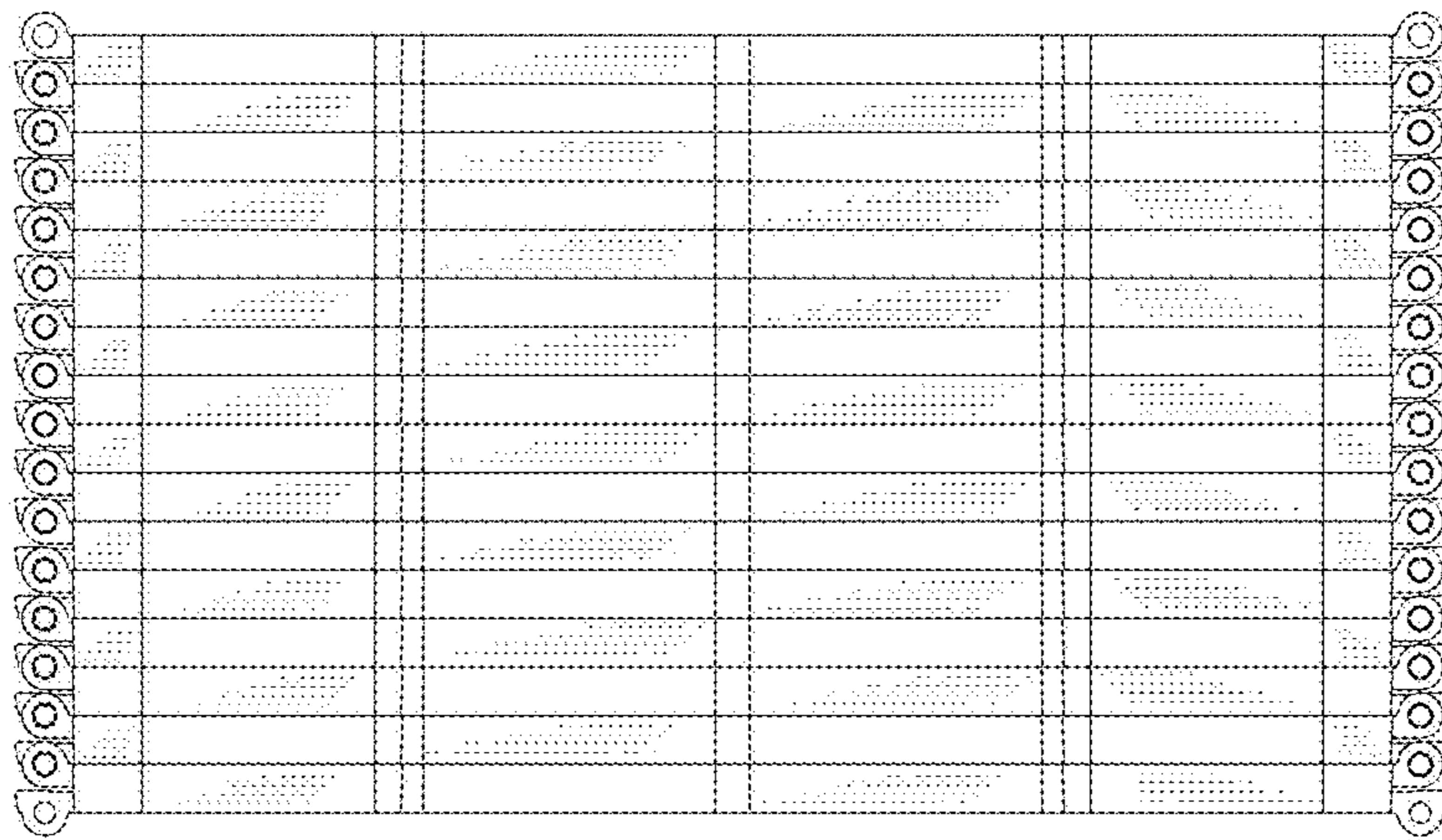


FIG.6

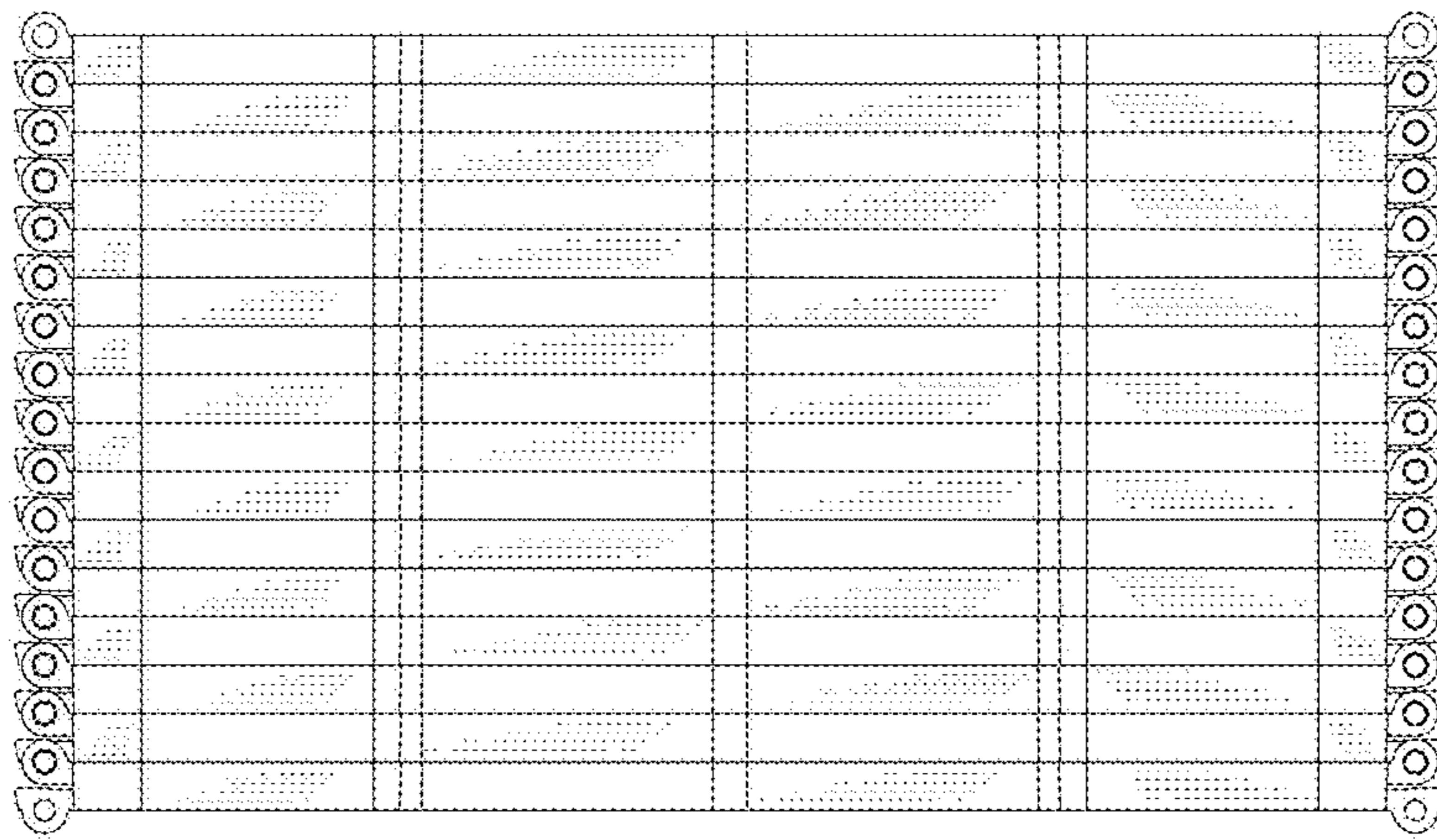


FIG. 7



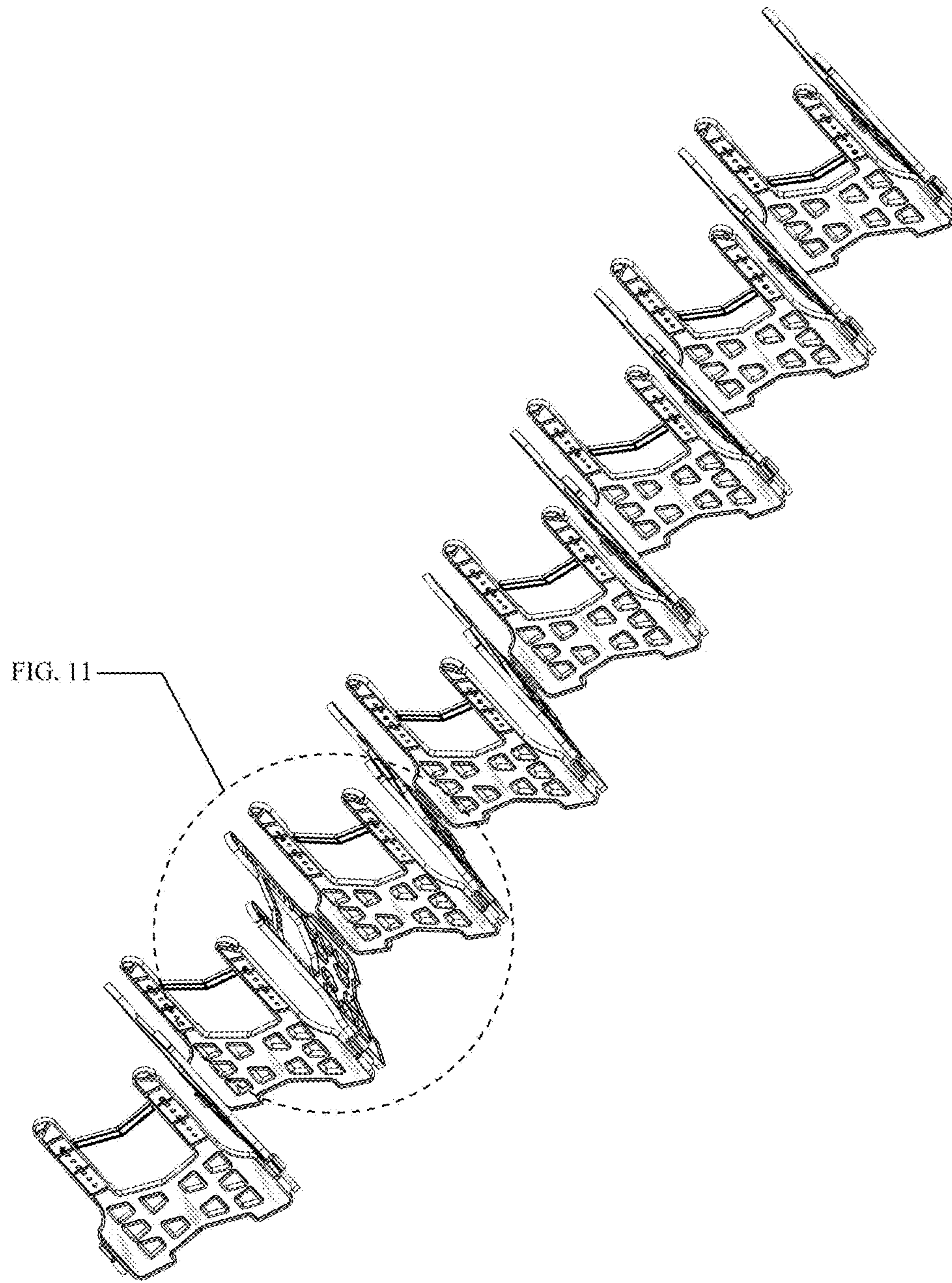


FIG. 8

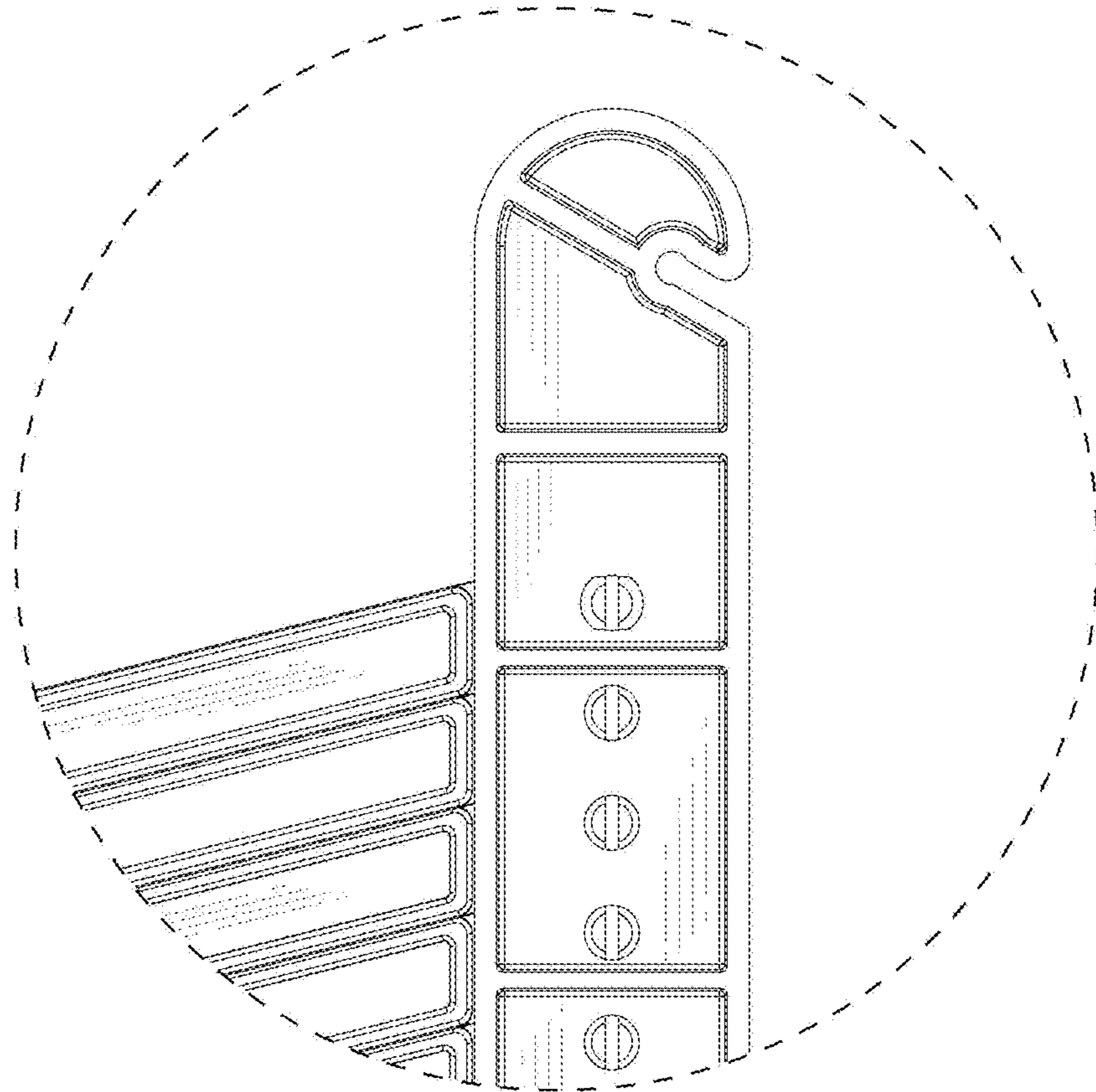


FIG. 9

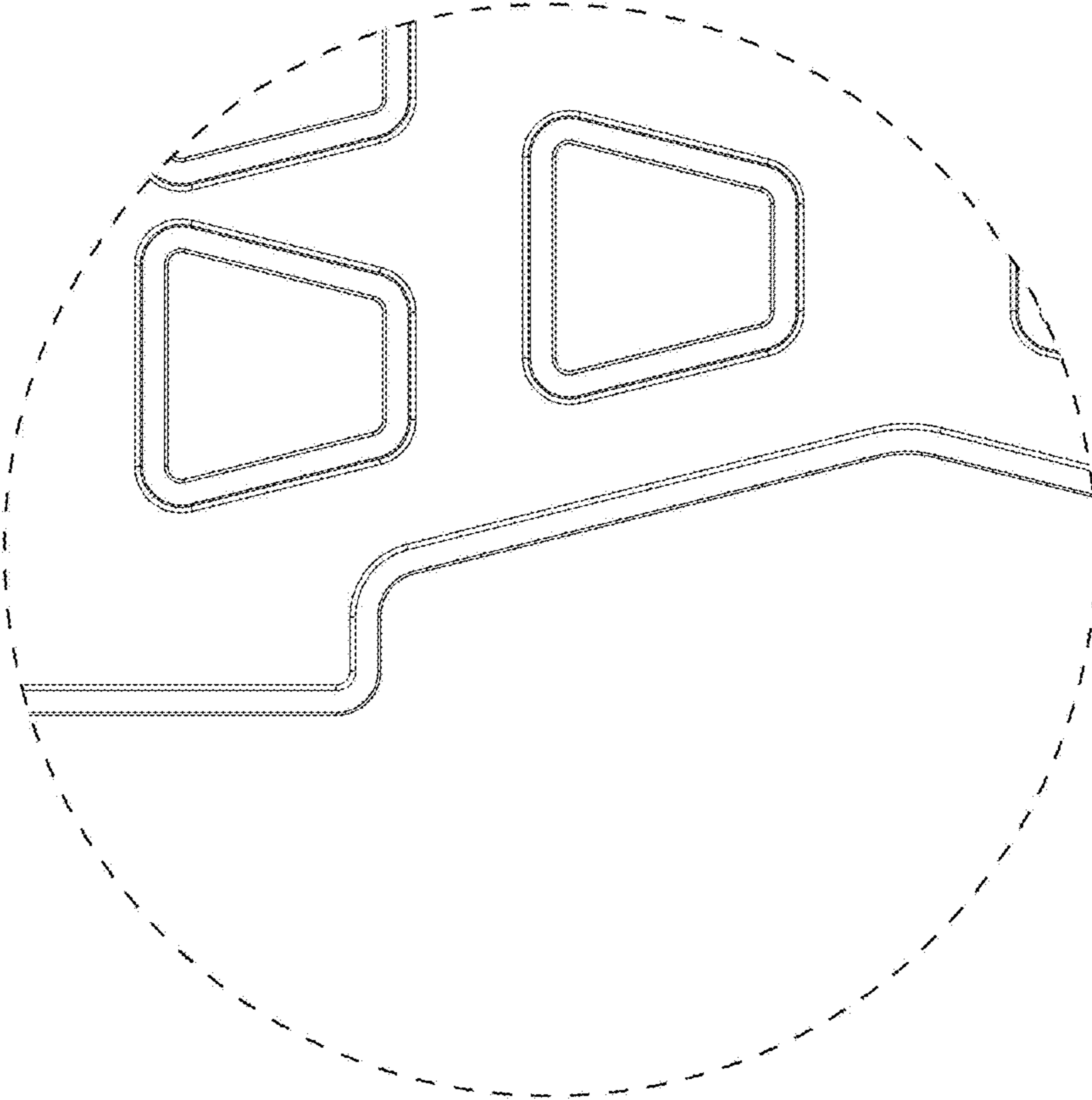


FIG. 10

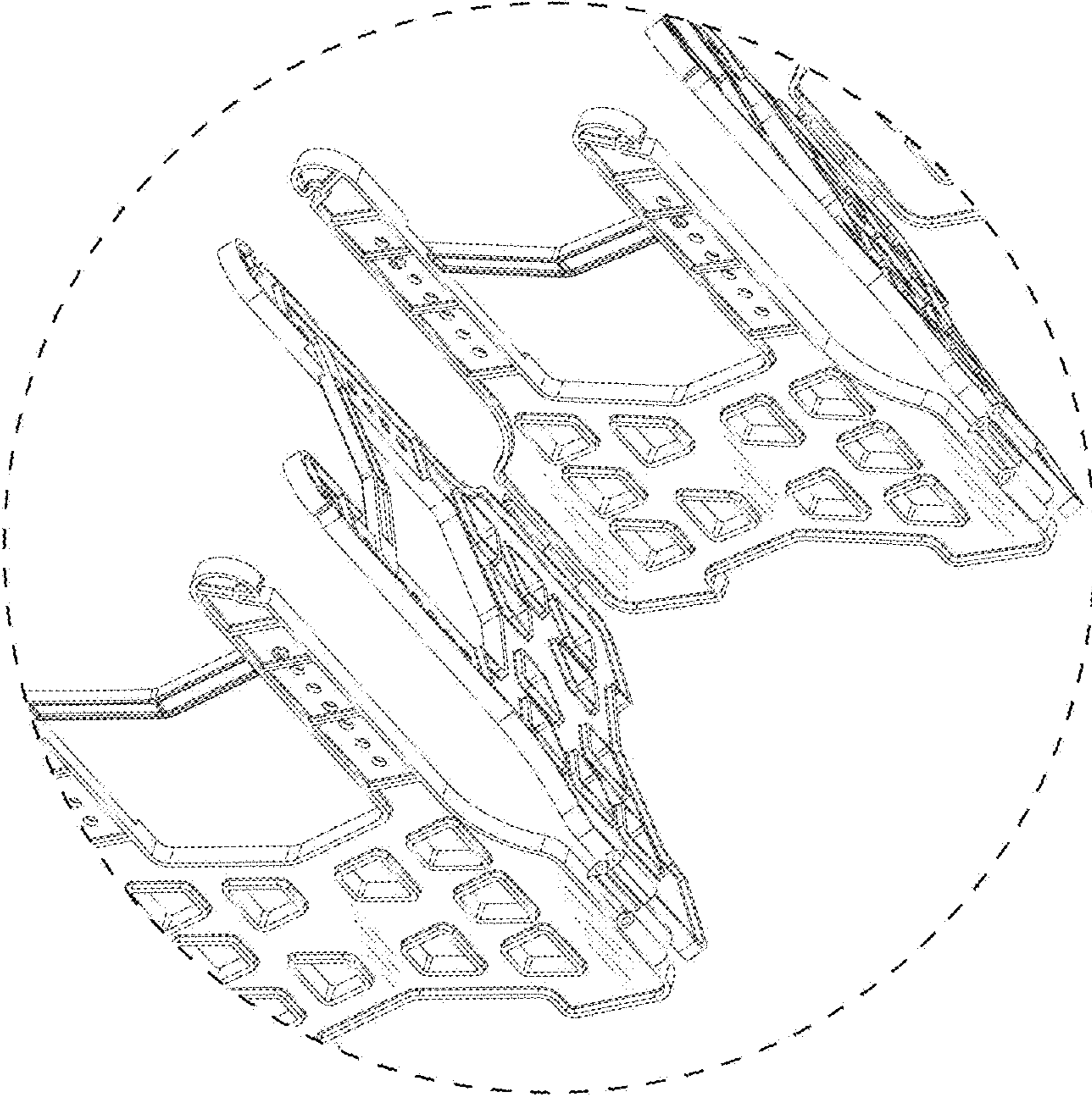


FIG. 11