

US00D932875S

(12) **United States Design Patent**  
**Parrott et al.**

(10) **Patent No.:** **US D932,875 S**

(45) **Date of Patent:** **\*\* Oct. 12, 2021**

(54) **HORIZONTAL BOLLARD ADAPTER**

(71) Applicant: **SlowStop Guarding Systems, LLC**,  
San Antonio, TX (US)

(72) Inventors: **Kenneth Parrott**, Helotes, TX (US);  
**Patrick Ryan Boyle**, San Antonio, TX (US)

(73) Assignee: **SlowStop Guarding Systems, LLC**,  
San Antonio, TX (US)

(\*\*) Term: **15 Years**

(21) Appl. No.: **29/732,368**

(22) Filed: **Apr. 23, 2020**

(51) **LOC (13) Cl.** ..... **08-05**

(52) **U.S. Cl.**

USPC ..... **D8/354**; D8/363

(58) **Field of Classification Search**

USPC ..... D8/349, 354, 352, 350, 355, 356, 363,  
D8/367, 380, 381, 396

CPC ..... F16L 17/06; F16L 23/12

See application file for complete search history.

(56) **References Cited**

**U.S. PATENT DOCUMENTS**

D204,057 S *	3/1966	Logan et al.	.....	D8/363
4,979,713 A *	12/1990	Bell	.....	A47K 10/10
				248/221.11
D356,941 S *	4/1995	Reddick	.....	D8/367
D374,167 S *	10/1996	Scholl	.....	D8/363
D409,898 S *	5/1999	Bredemeier	.....	D8/363
D410,376 S *	6/1999	Scholl	.....	D8/363
D429,998 S *	8/2000	Snell	.....	D6/550
D433,923 S *	11/2000	Hyp	.....	D8/363
D533,385 S *	12/2006	Murray	.....	D6/550

D569,713 S *	5/2008	Sandidge	.....	D6/550
D611,328 S *	3/2010	Hanley	.....	D8/363
D668,136 S *	10/2012	Nicholls	.....	D8/380
D859,963 S *	9/2019	Hanley	.....	D8/363
D886,570 S *	6/2020	Twitchell	.....	D8/356
D886,571 S *	6/2020	Twitchell	.....	D8/356

\* cited by examiner

*Primary Examiner* — Keli L Hill

*Assistant Examiner* — Harold E Blackwell, II

(57) **CLAIM**

The ornamental design for a horizontal bollard adapter, as shown and described.

**DESCRIPTION**

FIG. 1 is a front, top, left side perspective view of a horizontal bollard adapter of our design.

FIG. 2 is a front, elevation view of a horizontal bollard adapter of our design.

FIG. 3 is a rear elevation view of a horizontal bollard adapter of our design.

FIG. 4 is a left side, elevation view of a horizontal bollard adapter of our design.

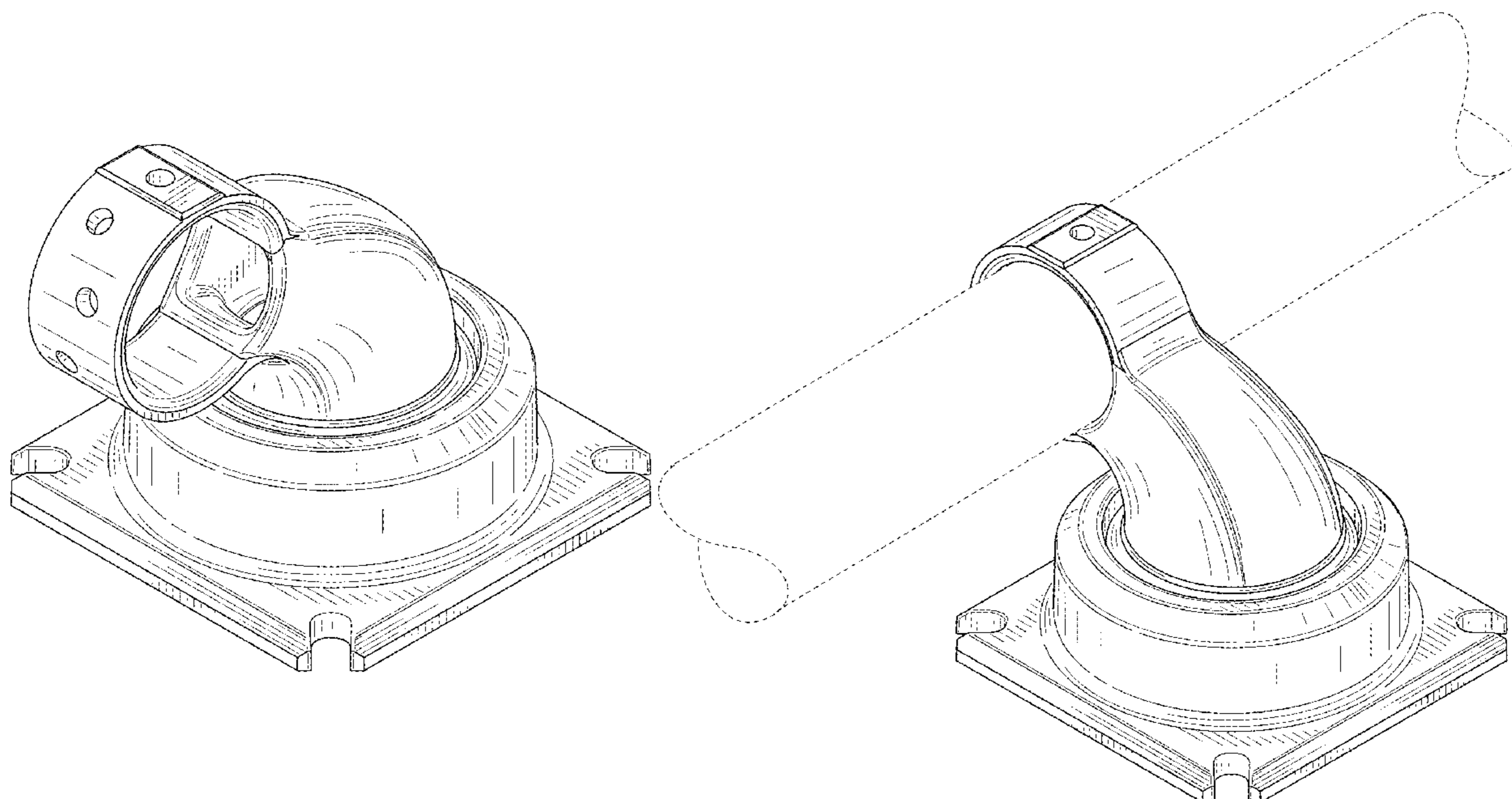
FIG. 5 is a right side, elevation view of a horizontal bollard adapter of our design.

FIG. 6 is a top plan view of a horizontal bollard adapter of our design.

FIG. 7 is a bottom plan view of the horizontal bollard adapter of our design. The broken lines defining the central portion of the bottom view are for illustrative purposes only and form no part of the claimed design; and,

FIG. 8 is a rear, top left side perspective view of the a horizontal bollard adapter shown in an alternate state of use. The broken lines showing a post in FIG. 8 illustrates environment of the article and form no part of the claimed design.

**1 Claim, 6 Drawing Sheets**



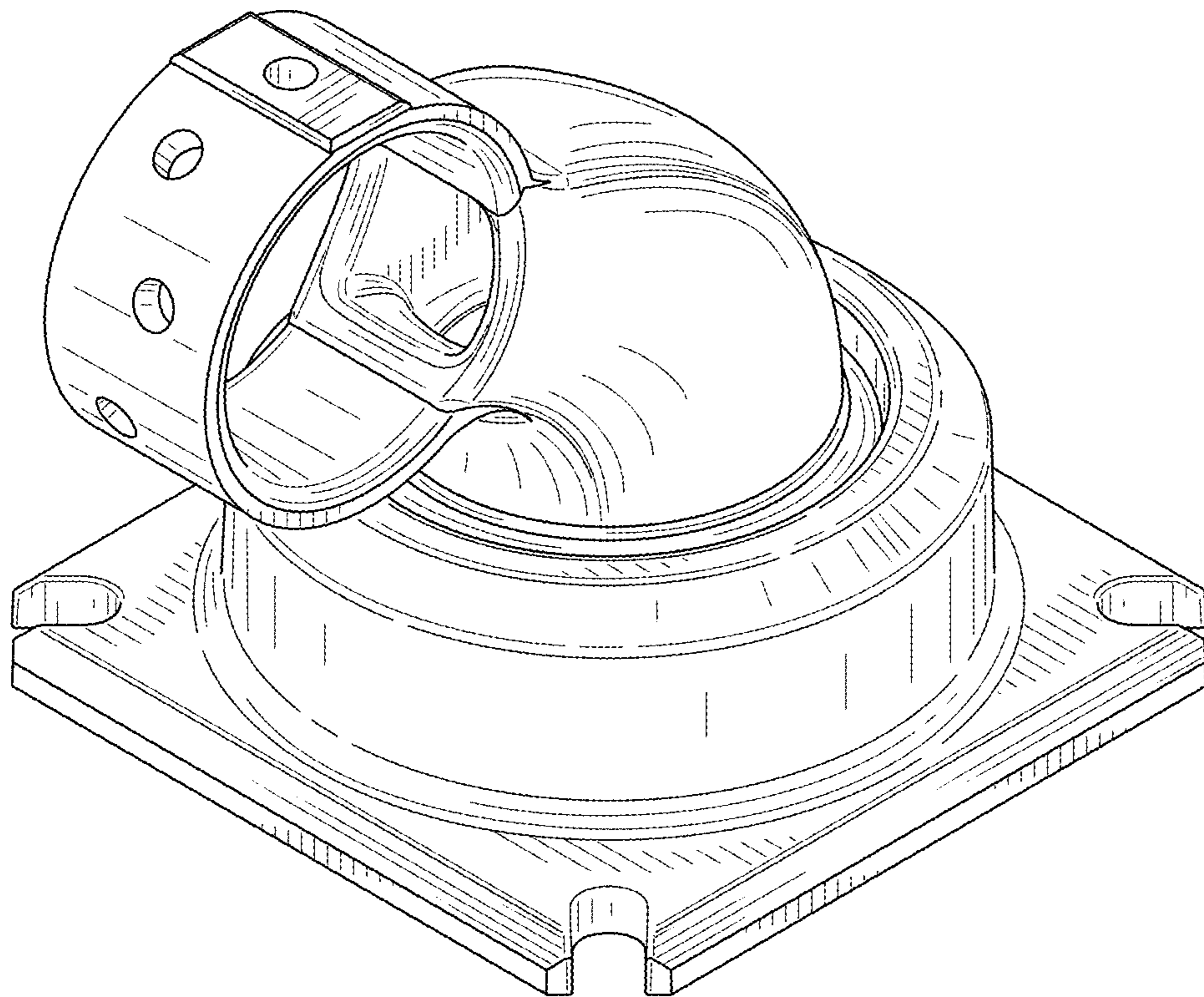


FIG. 1

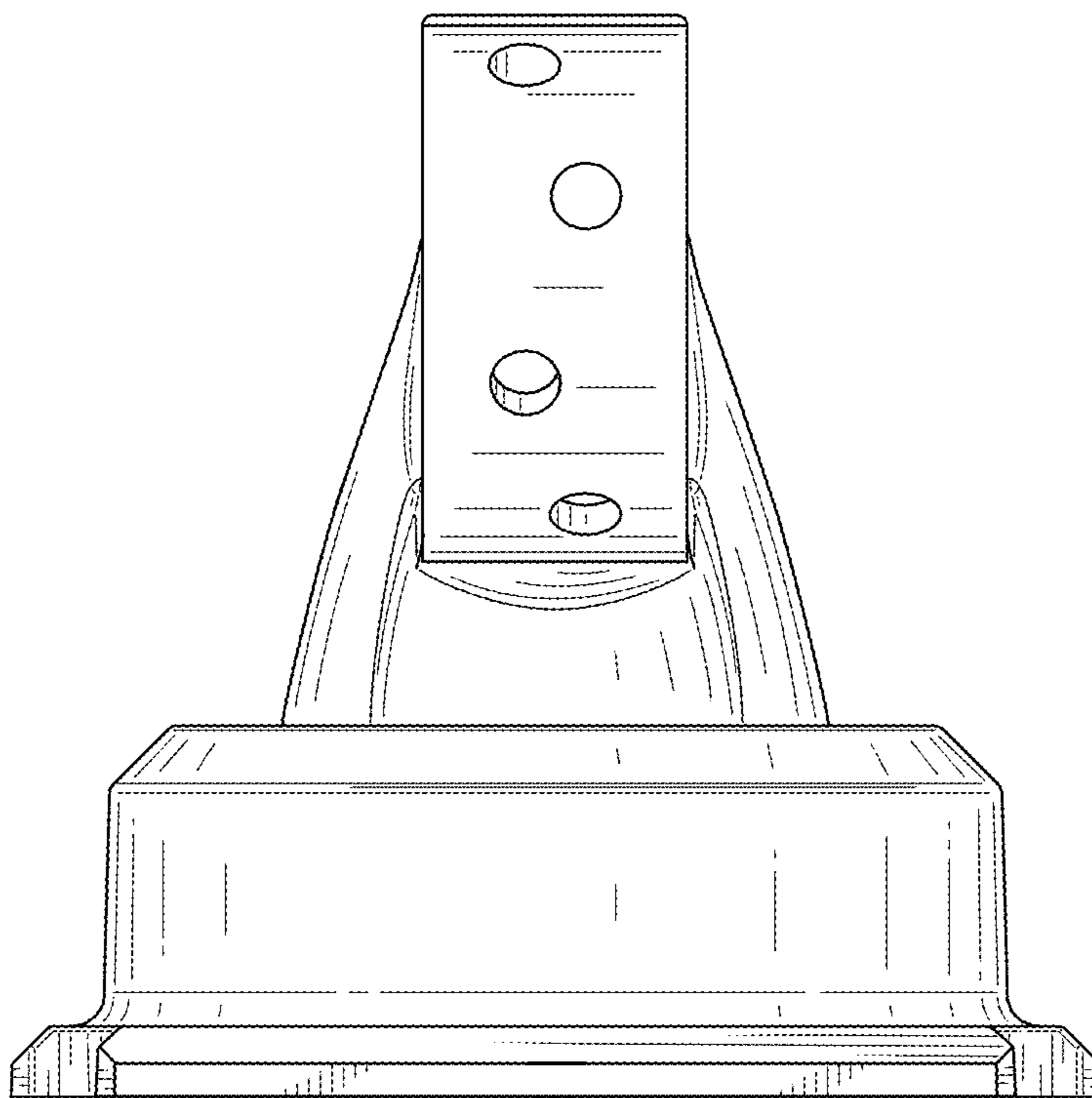


FIG. 2

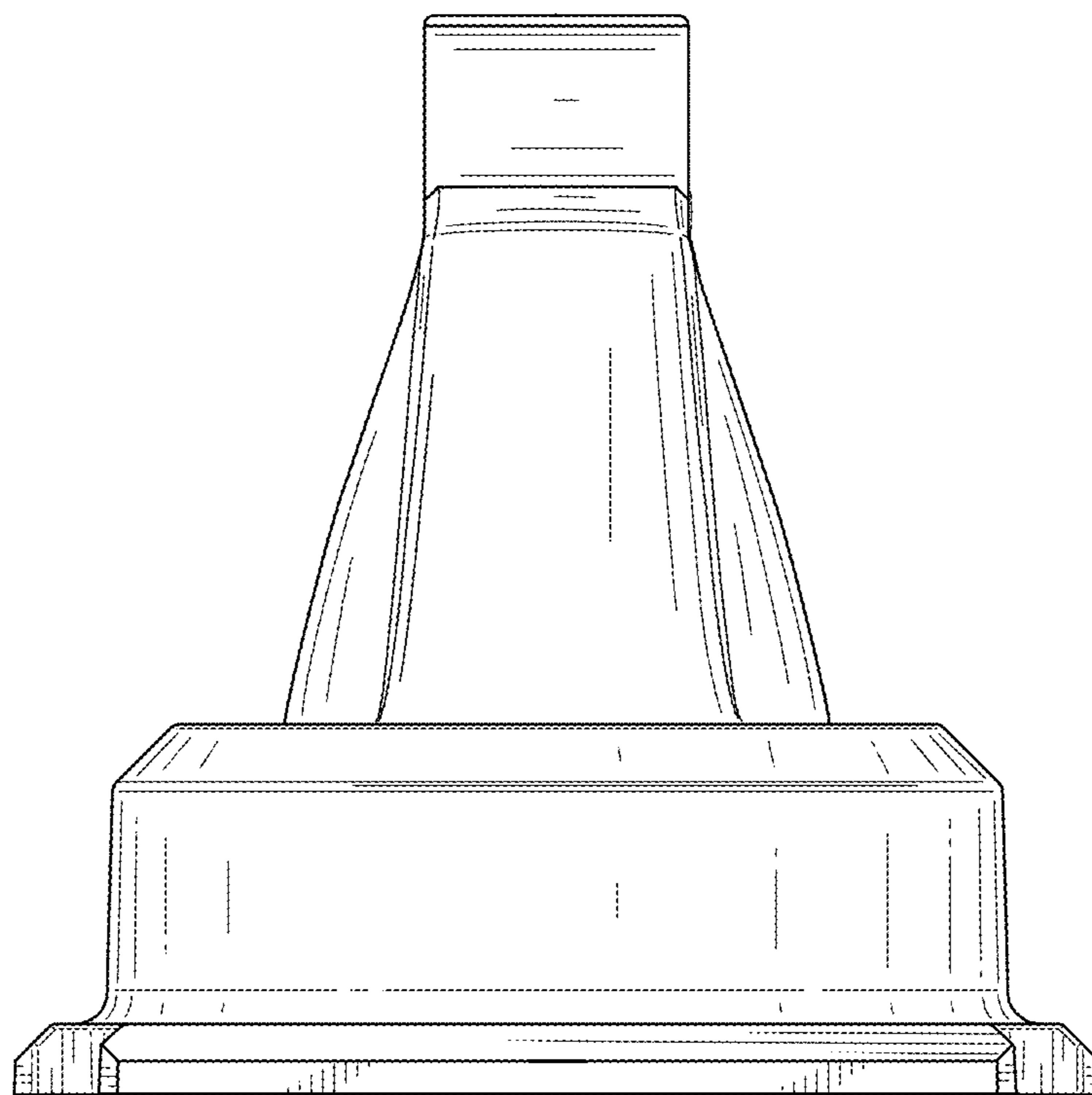


FIG. 3

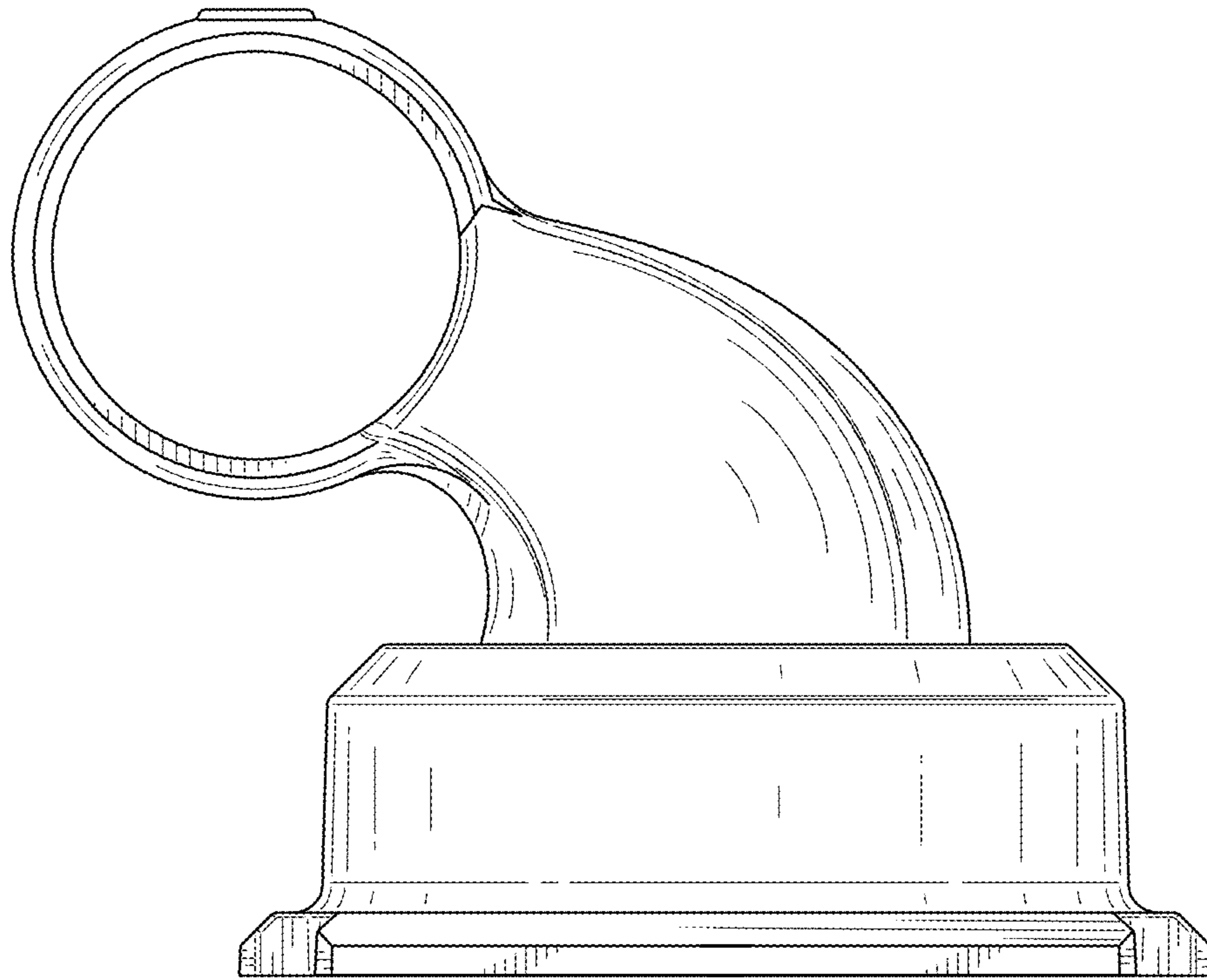


FIG. 4

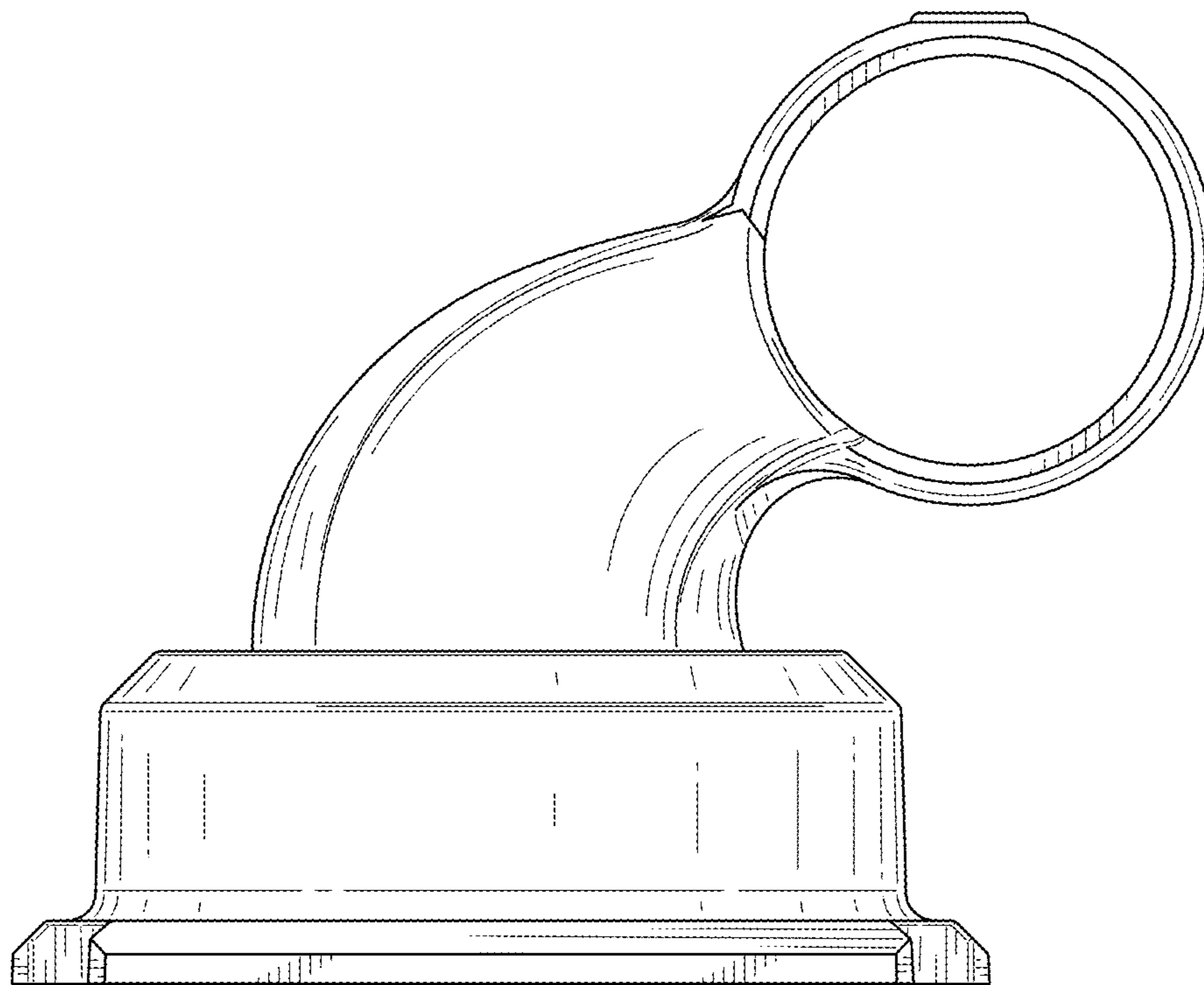


FIG. 5

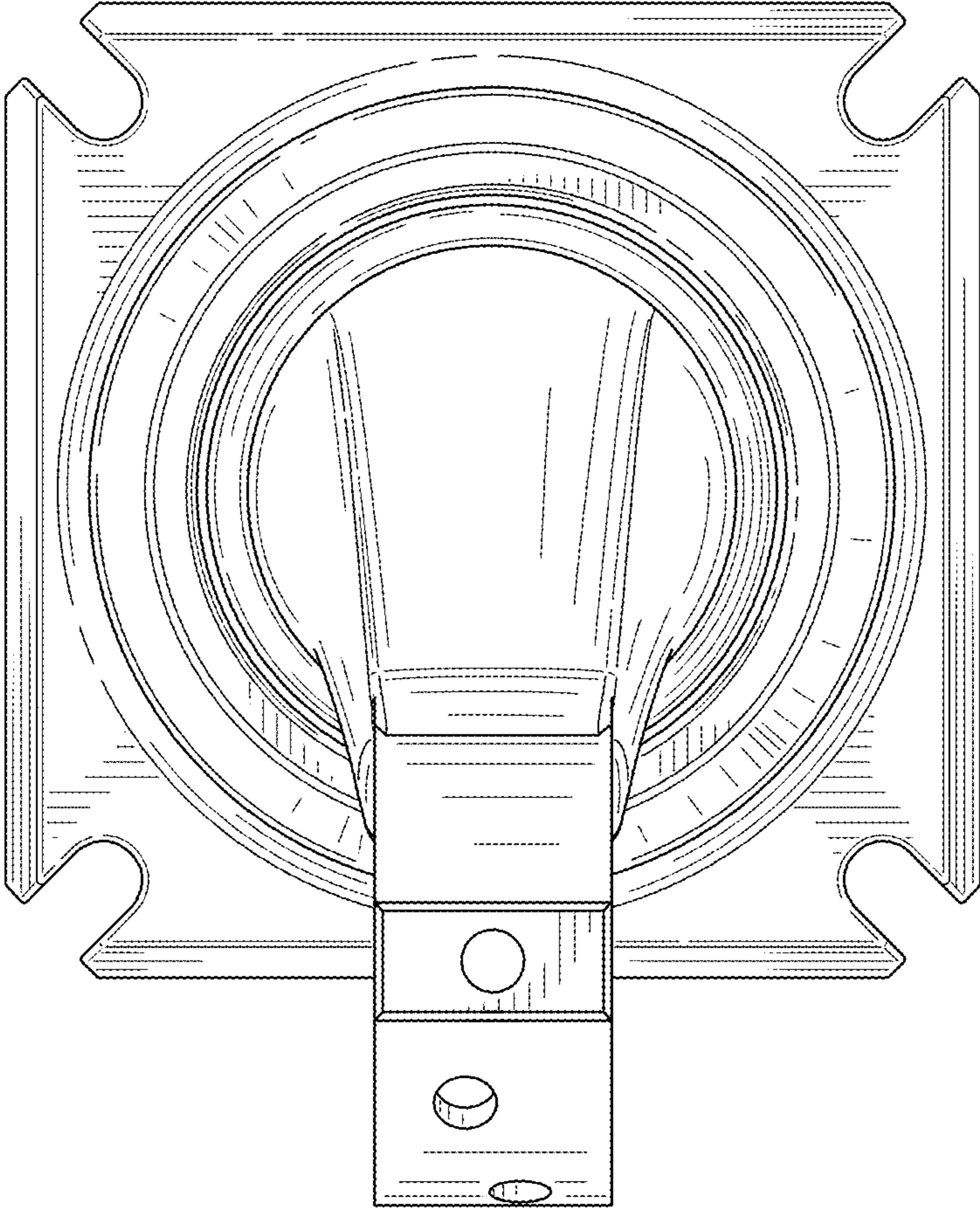


FIG. 6

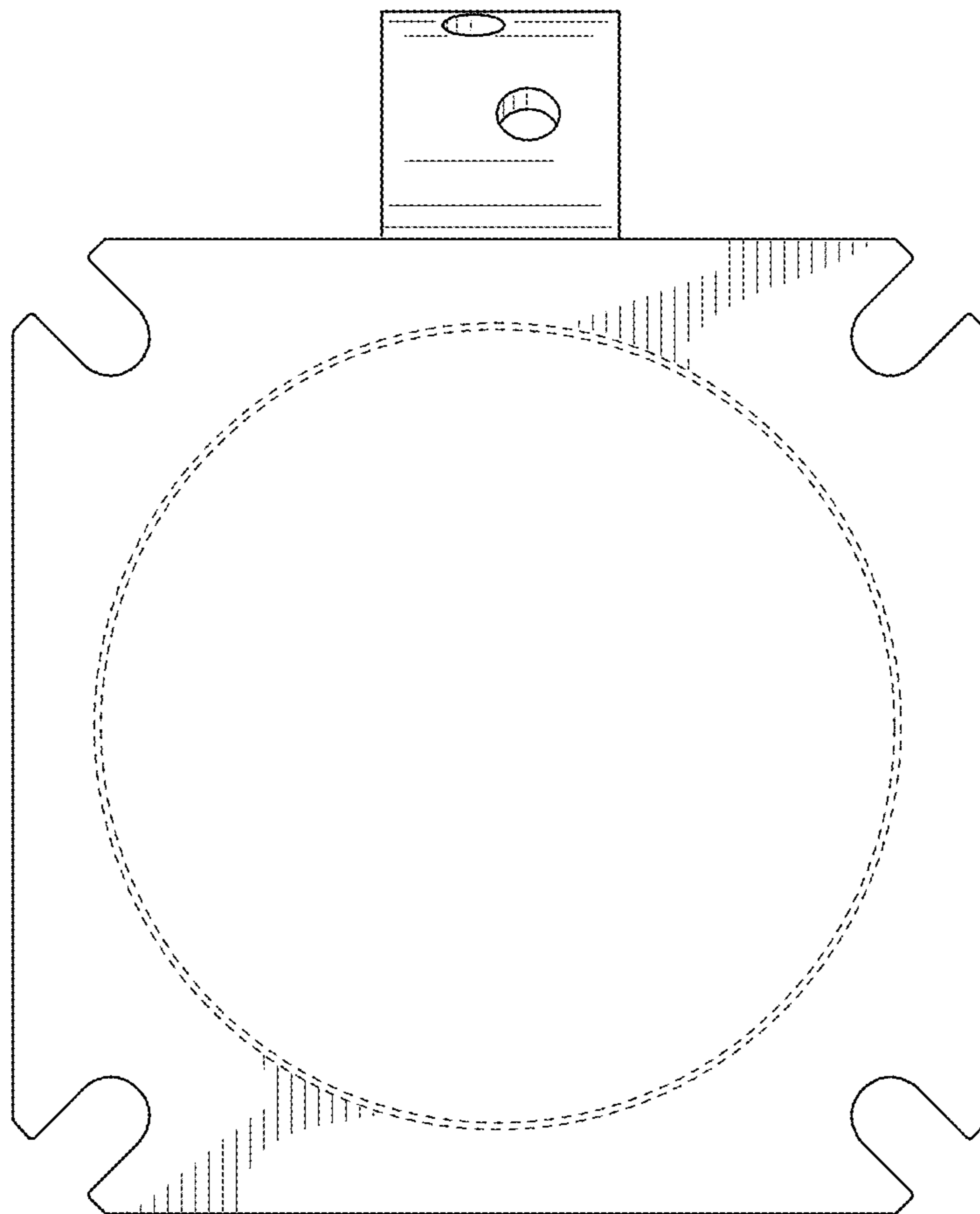


FIG. 7

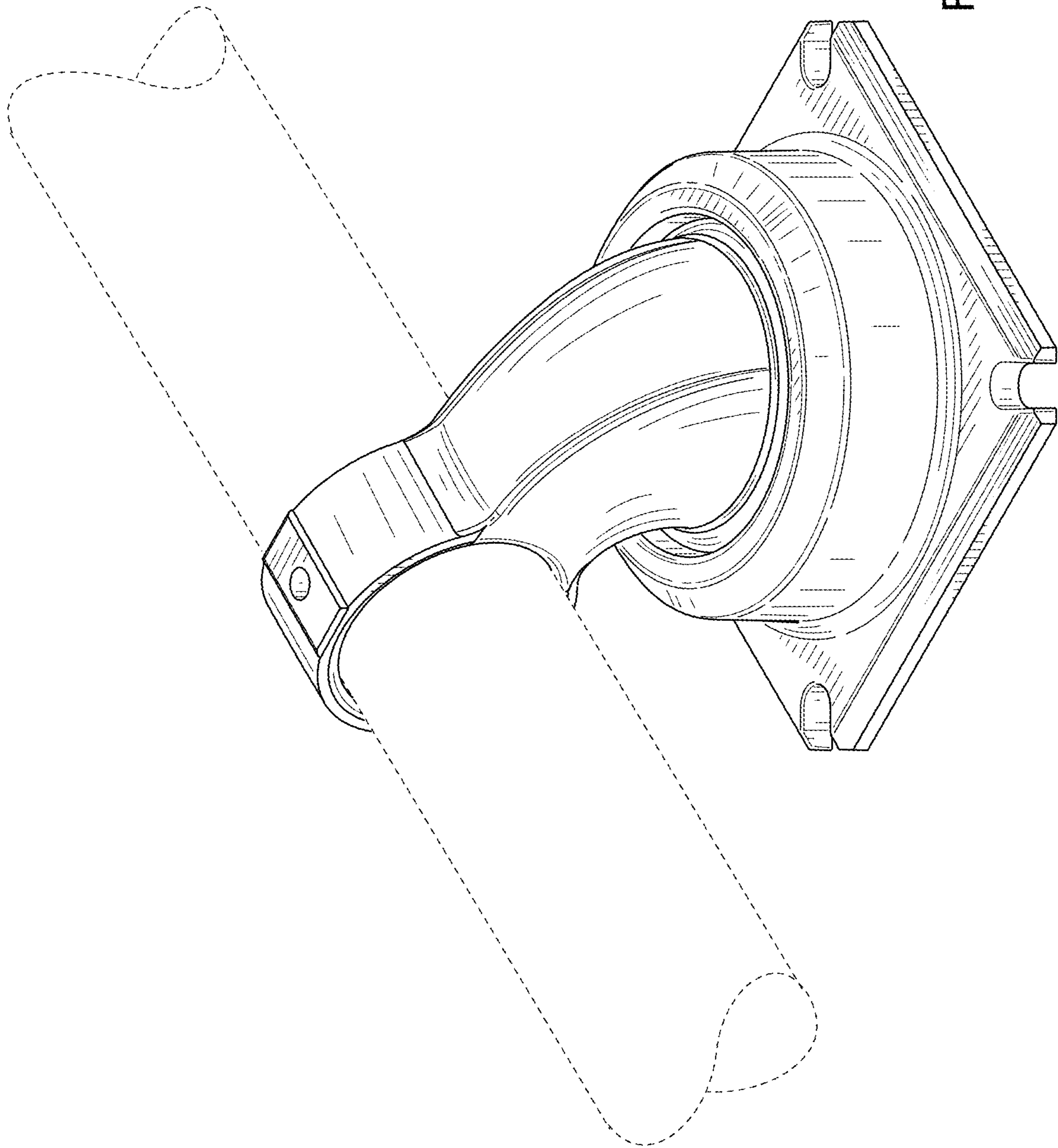


FIG. 8