



US00D932874S

(12) **United States Design Patent** (10) **Patent No.:** **US D932,874 S**
Del Rossa (45) **Date of Patent:** **** Oct. 12, 2021**

(54) **JIG FOR REPAIRING EXHAUST MANIFOLDS**
(71) Applicant: **Jeffrey Del Rossa**, Pittsburgh, PA (US)
(72) Inventor: **Jeffrey Del Rossa**, Pittsburgh, PA (US)
(**) Term: **15 Years**
(21) Appl. No.: **29/652,287**
(22) Filed: **Jul. 9, 2020**
(51) **LOC (13) Cl.** **08-05**
(52) **U.S. Cl.**
USPC **D8/354**
(58) **Field of Classification Search**
USPC D8/15, 16, 349, 354, 363, 373, 357, 384;
D23/322, 323
CPC F28F 9/0075; F28F 9/001; F28F 3/00
See application file for complete search history.

5,979,906 A 11/1999 Silvian
D426,127 S 6/2000 Boelling
D432,886 S 10/2000 Hembroff
6,318,734 B1 11/2001 Boskamp
D481,281 S 10/2003 Anderson
D554,163 S 10/2007 Krohmer et al.
D556,842 S 12/2007 Webber
D562,112 S * 2/2008 Harrell D8/354
D658,039 S * 4/2012 Ghatikar D8/354
D658,040 S * 4/2012 Ghatikar D8/354
D690,180 S 9/2013 Del Rossa
8,529,171 B1 9/2013 Luke

(Continued)

OTHER PUBLICATIONS

Alan Tool, ProMAXX, vehiclesservicepros.com, Mar. 22, 2015 Jeff Del Rossa © 2011 VehicleServicePros.com, online, visted Mar. 12, 2018. Internet, URL: <https://www.vehicleservicesprose.com/in-the-bay/tools-equipment/article/12056800/dealing-with-challenges-associated-with-removing-broken-exhaust-manifold-bolts> (Year: 2015).

Primary Examiner — Keli L Hill
Assistant Examiner — Harold E Blackwell, II
(74) *Attorney, Agent, or Firm* — Buchanan Ingersoll & Rooney PC

(56) **References Cited**
U.S. PATENT DOCUMENTS

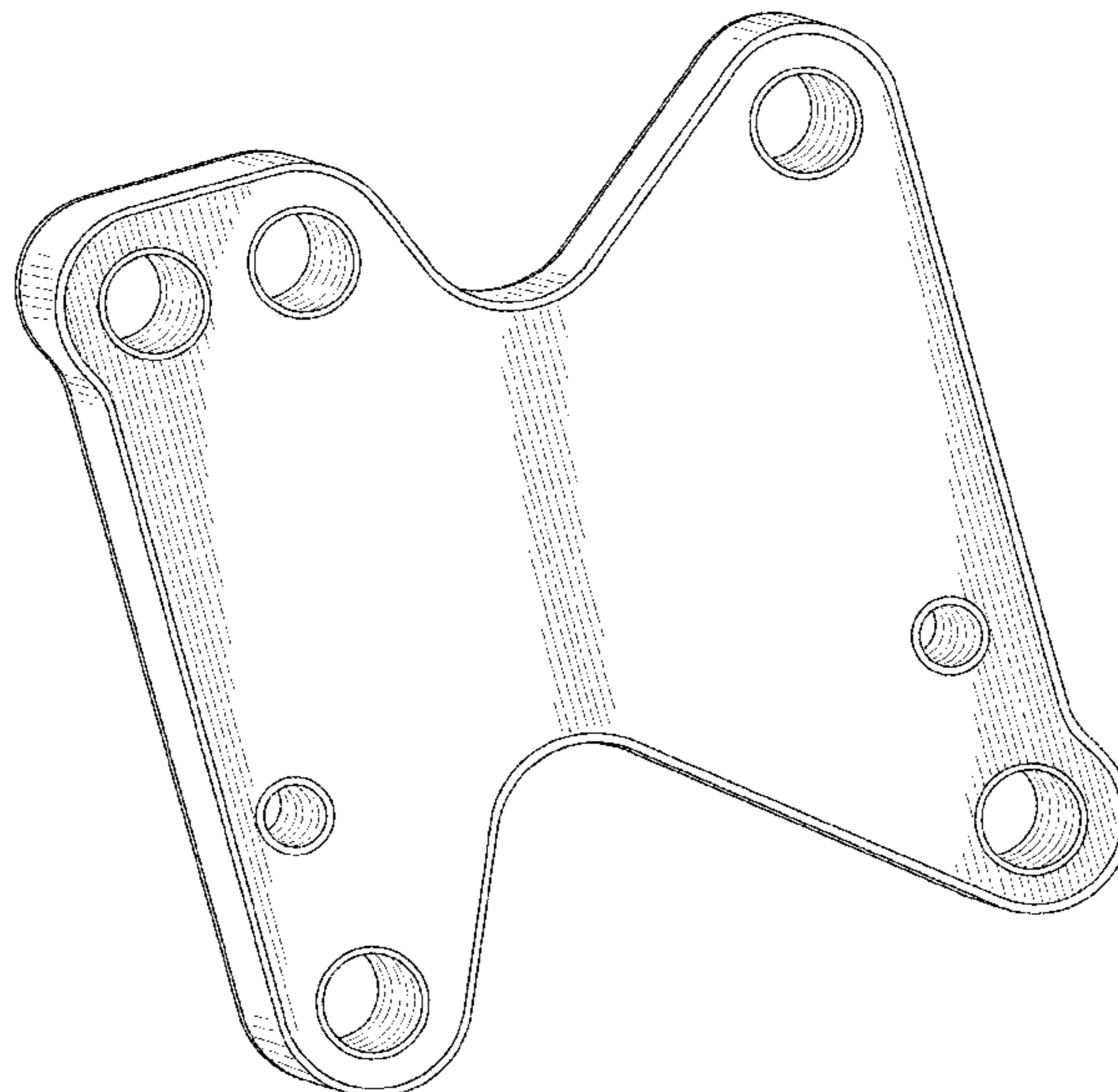
3,957,279 A 5/1976 Belter
4,168,730 A 9/1979 Keller
D254,074 S 1/1980 Ringle
D268,165 S 3/1983 Perry et al.
D272,038 S 1/1984 Dicke
4,521,140 A 6/1985 Doescher et al.
D282,626 S 2/1986 Zelli
D287,179 S 12/1986 Kuykendall
D293,203 S 12/1987 Hertensteiner
D295,016 S 4/1988 Forrester
4,813,691 A 3/1989 Schoenborn
4,940,374 A 7/1990 Gallagher
4,955,621 A 9/1990 Skrycki
D328,698 S 8/1992 Worthington
5,275,420 A 1/1994 Rodenkirch
D353,527 S 12/1994 Drake
D380,953 S 7/1997 Norgaard
5,662,150 A 9/1997 McCray
D410,767 S 6/1999 Carroll
5,924,701 A 7/1999 Schweiger

(57) **CLAIM**
The ornamental design for a jig for repairing exhaust manifolds, as shown and described.

DESCRIPTION

FIG. 1 is a top perspective view of a jig for repairing exhaust manifolds showing my new design;
FIG. 2 is a top plan view thereof;
FIG. 3 is a bottom plan view thereof;
FIG. 4 is an end elevation view thereof;
FIG. 5 is an opposite end elevation view thereof;
FIG. 6 is a side elevation view thereof; and,
FIG. 7 is an opposite side elevation view thereof.

1 Claim, 4 Drawing Sheets



(56)

References Cited

U.S. PATENT DOCUMENTS

D691,461	S *	10/2013	Waugh	D8/354
D694,084	S	11/2013	Del Rossa	
8,869,417	B2	10/2014	Yeh	
9,689,302	B2	6/2017	Fischer et al.	
9,751,133	B2	9/2017	Rooney	
D798,908	S *	10/2017	Clark	D15/5
D803,019	S *	11/2017	Ploeger	D8/19
D807,728	S	1/2018	Johnson et al.	
D807,927	S	1/2018	Perkes	
D900,593	S *	11/2020	McKillips	D8/354
D913,077	S *	3/2021	Pavlov	D8/349
D913,078	S *	3/2021	Pavlov	D8/349
2001/0006279	A1	7/2001	Sugimoto et al.	
2002/0027327	A1	3/2002	Sugimoto et al.	
2002/0050687	A1	5/2002	Ogaeri et al.	
2005/0151326	A1	7/2005	Wade	
2005/0204542	A1	9/2005	Pittman	
2006/0202431	A1	9/2006	Breen	
2007/0261832	A1 *	11/2007	Ware	F28F 3/086 165/167
2013/0043668	A1 *	2/2013	Allred, III	B62J 25/00 280/291
2013/0320630	A1	12/2013	Okano et al.	
2015/0129164	A1 *	5/2015	Ollier	F28F 3/08 165/67
2016/0187067	A1 *	6/2016	Kobayashi	F28D 9/005 165/166

* cited by examiner

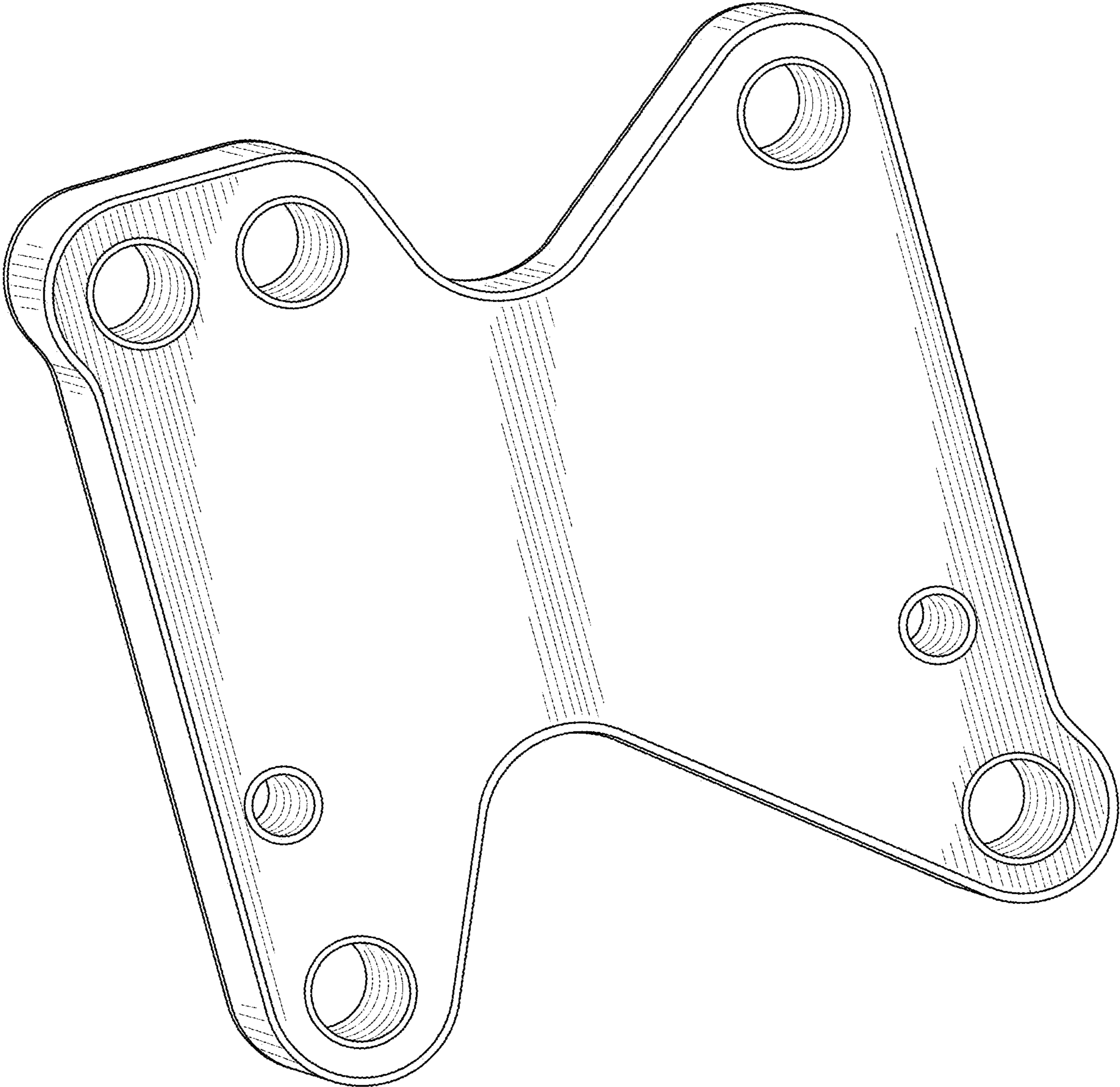


FIG. 1

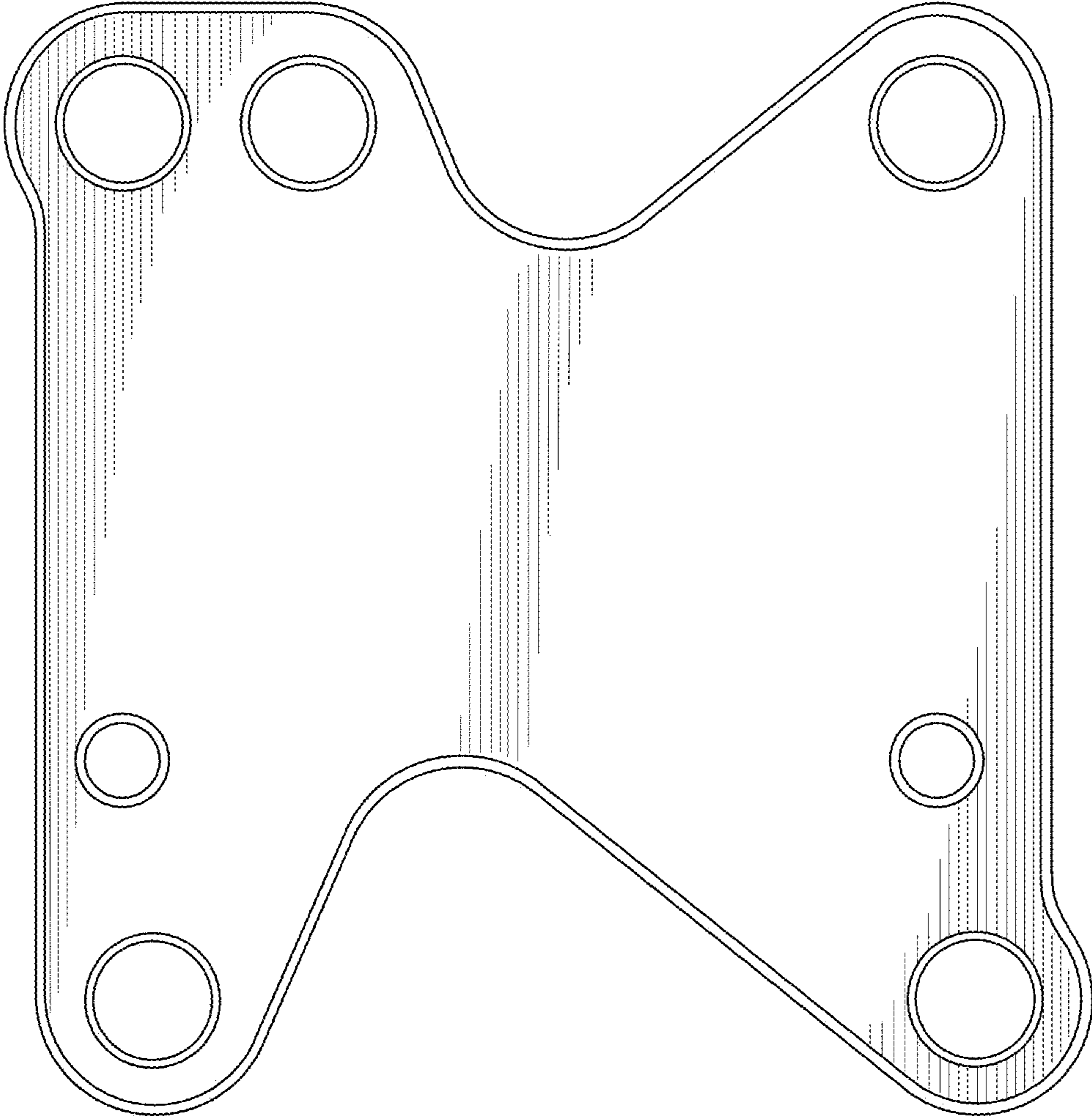


FIG. 2

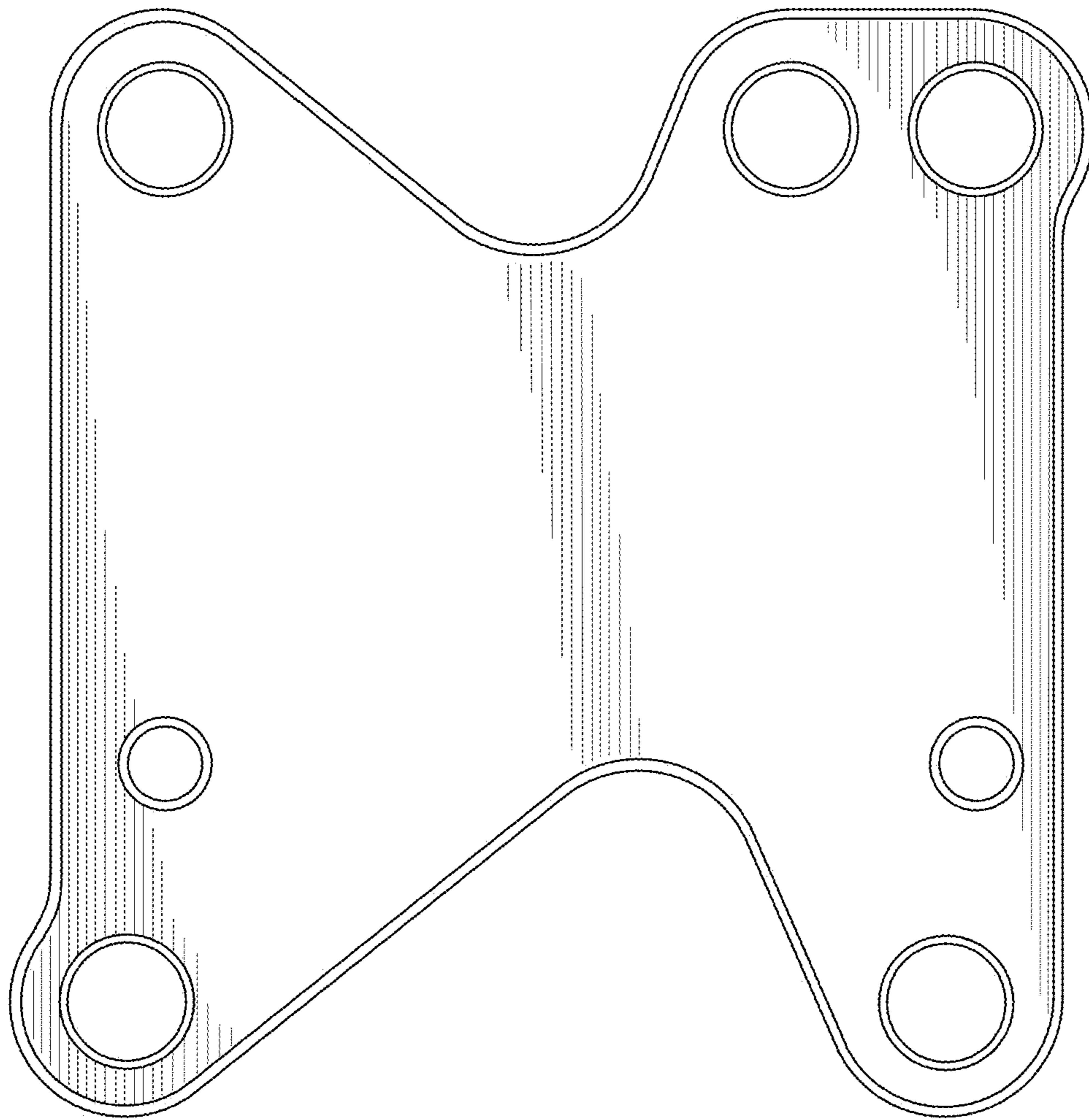


FIG. 3

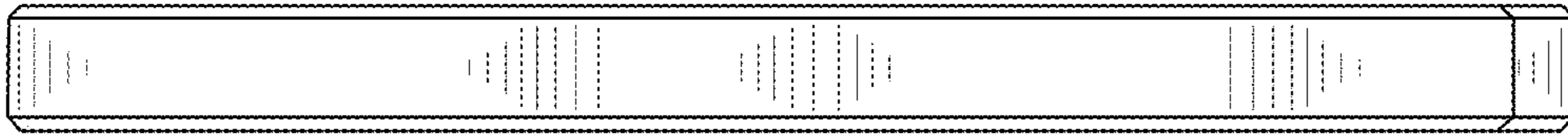


FIG. 4

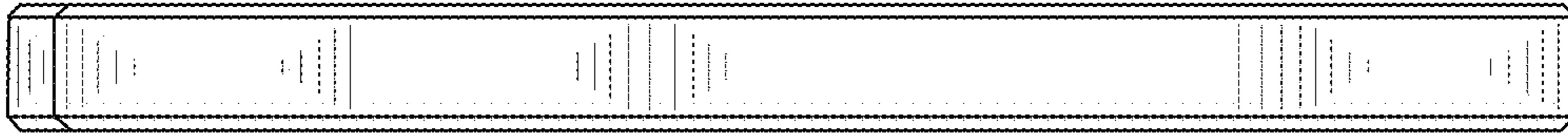


FIG. 5

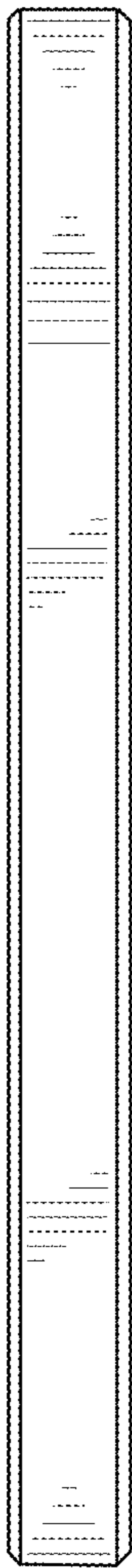


FIG. 6

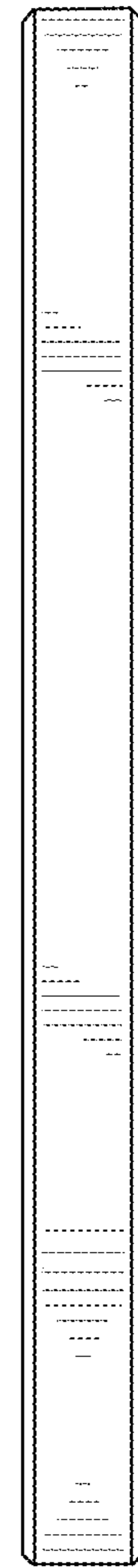


FIG. 7