



US00D932873S

(12) **United States Design Patent**
Ni et al.

(10) **Patent No.:** **US D932,873 S**
(45) **Date of Patent:** **** Oct. 12, 2021**

(54) **COMBINED SNAP-IN WALL PLATE AND COVER**

(71) Applicant: **Wenzhou MTLIC Electric Appliances Co., Ltd.**, Zhejiang (CN)

(72) Inventors: **Lidong Ni**, Yueqing (CN); **Wei Gao**, Yueqing (CN)

(73) Assignee: **WENZHOU MTLIC ELECTRIC APPLIANCES CO., LTD.**, Zhejiang (CN)

(**) Term: **15 Years**

(21) Appl. No.: **29/599,129**

(22) Filed: **Mar. 31, 2017**

(51) **LOC (13) Cl.** **11-05**

(52) **U.S. Cl.**
USPC **D8/353**

(58) **Field of Classification Search**
USPC D8/330, 331, 336, 338, 339, 340, 343,
D8/350-352, 353, 300, 301
(Continued)

(56) **References Cited**

U.S. PATENT DOCUMENTS

D313,168 S * 12/1990 Pearlman D13/169
D430,478 S * 9/2000 De brey D8/353
(Continued)

Primary Examiner — Michael C Stout

Assistant Examiner — Benjamin M Weeks

(74) *Attorney, Agent, or Firm* — Ziegler IP Law Group, LLC

(57) **CLAIM**

The ornamental design for a combined snap-in wall plate and cover, as shown and described.

DESCRIPTION

FIG. 1 is a front, side perspective view of a first embodiment of a combined snap-in wall plate and cover showing the new design;

FIG. 2 is a front view of the wall plate for the combined snap-in wall plate and cover of FIG. 1;

FIG. 3 is a sectional side view of the wall plate of FIG. 2; FIG. 4 is a right side view of the wall plate of FIG. 2, the left side view being the same;

FIG. 5 is a top view of the wall plate of FIG. 2, the bottom view being the same;

FIG. 6 is a back view of the wall plate of FIG. 2;

FIG. 7 is a front view of the cover for the snap-in wall plate cover of FIG. 1;

FIG. 8 is a top view of the cover shown in FIG. 7, the bottom view being the same;

FIG. 9 is a back view of the cover of FIG. 7;

FIG. 10 is a cross-sectional view of the cover shown in FIG. 9 taken along the lines 10-10;

FIG. 11 is a right side view of the cover of FIG. 7, the left side view being the same;

FIG. 12 is a perspective view of a second embodiment of a combined snap-in wall plate and cover showing the new design;

FIG. 13 is a front view of the wall plate for the combined snap-in wall plate and cover shown in FIG. 12;

FIG. 14 is a sectional view of the wall plate shown in FIG. 13;

FIG. 15 is a right side view of the wall plate shown in FIG. 13, the left side view being the same;

FIG. 16 is a top view of the wall plate shown in FIG. 13, the bottom view being the same;

FIG. 17 is a back view of the wall plate shown in FIG. 13;

FIG. 18 is a front view of the cover for the combined snap-in wall plate and cover of FIG. 12;

FIG. 19 is a top view of the cover shown in FIG. 18, the bottom view being the same;

FIG. 20 is a back view of the cover shown in FIG. 18;

FIG. 21 is a cross-sectional view of the cover shown in FIG. 20 taken along the lines 20-20;

FIG. 22 is a right side view of the cover shown in the FIG. 18, the left side view being the same;

FIG. 23 is a front perspective view of a third embodiment of a cover for a combined snap-in wall plate and cover showing the new design;

FIG. 24 is a front view of the wall plate for the cover of the combined snap-in wall plate and cover shown in FIG. 23;

(Continued)

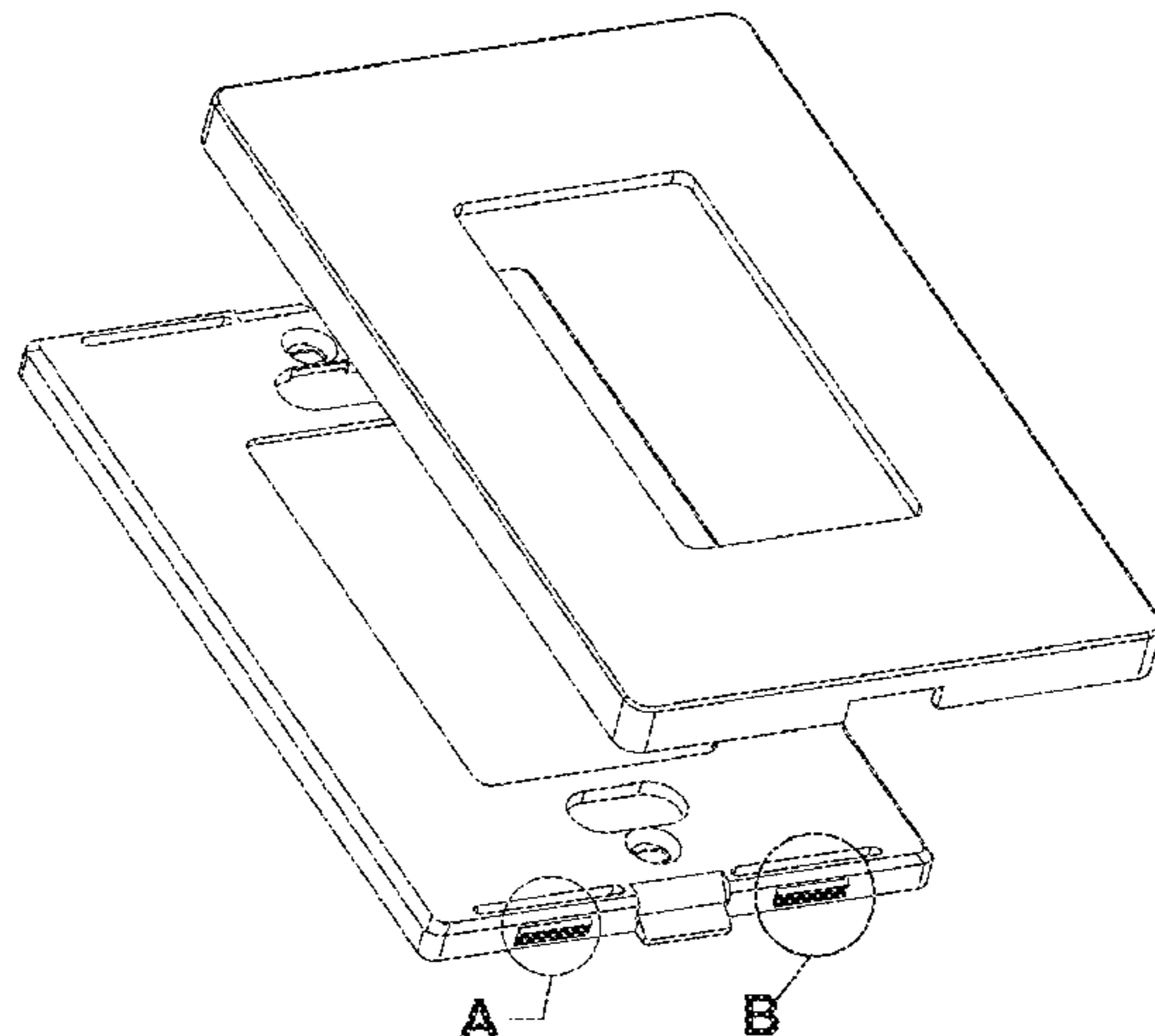


FIG. 25 is a right side view of the wall plate shown in FIG. 23, the left side view being the same;
 FIG. 26 is a top view of the wall plate shown in FIG. 23, the bottom view being the same;
 FIG. 27 is a back view of the wall plate shown in FIG. 23;
 FIG. 28 is a front view of the cover shown in FIG. 23;
 FIG. 29 is a top view of the cover shown in FIG. 28;
 FIG. 30 is a back view of the cover shown in FIG. 28;
 FIG. 31 is a cross-sectional view of the cover shown in FIG. 30 taken along the lines 31-31;
 FIG. 32 is a right side view of the cover shown in the FIG. 28, the left side view being the same;
 FIG. 33 is a front, side perspective view of fourth embodiment of a cover for a combined snap-in wall plate and cover showing the new design;
 FIG. 34 is a front view of a wall plate for the cover of the combined snap-in wall plate and cover shown in FIG. 33;
 FIG. 35 is a right side view of the wall plate shown in FIG. 34, the left side view being the same;
 FIG. 36 is a top view of the wall plate shown in FIG. 34, the bottom view being the same;
 FIG. 37 is a back view of the wall plate shown in FIG. 34;
 FIG. 38 is a front view of the cover shown in FIG. 33;
 FIG. 39 is a top view of the cover shown in FIG. 38, the bottom view being the same;
 FIG. 40 is a back view of the cover shown in FIG. 38;
 FIG. 41 is a cross-sectional view of the cover shown in FIG. 40, taken along the lines 41-41;
 FIG. 42 is a right side view of the cover shown in the FIG. 38, the left side view being the same;
 FIG. 43 is a front, side perspective view of a fifth embodiment of a cover for a combined snap-in wall plate and cover showing the new design;
 FIG. 44 is a front view of the wall plate for the cover of the combined snap-in wall plate and cover shown in FIG. 43;
 FIG. 45 is a right side view of the wall plate shown in FIG. 44, the left side view being the same;
 FIG. 46 is a bottom view of the wall plate shown in FIG. 44;
 FIG. 47 is a back view of the wall plate shown in FIG. 44;
 FIG. 48 is a front view of the cover shown in FIG. 43;
 FIG. 49 is a bottom view of the cover shown in FIG. 48;
 FIG. 50 is a back view of the cover shown in FIG. 48;
 FIG. 51 is a cross-sectional view of the cover shown in FIG. 50 taken along the lines 51-51;
 FIG. 52 is a right side view of the cover shown in FIG. 48, the left side view being the same;
 FIG. 53A is an exploded view of callout A in FIG. 1;
 FIG. 53B is an exploded view of callout B in FIG. 1;
 FIG. 54A is an exploded view of callout C in FIG. 5;
 FIG. 54B is an exploded view of callout D in FIG. 5;
 FIG. 55A is an exploded view of callout E in FIG. 12;
 FIG. 55B is an exploded view of callout F in FIG. 12;
 FIG. 55C is an exploded view of callout G in FIG. 12;
 FIG. 56A is an exploded view of callout H in FIG. 16;

FIG. 56B is an exploded view of callout I in FIG. 16;
 FIG. 56C is an exploded view of callout J in FIG. 16;
 FIG. 57A is an exploded view of callout K in FIG. 26;
 FIG. 57B is an exploded view of callout L in FIG. 26;
 FIG. 57C is an exploded view of callout M in FIG. 26;
 FIG. 57D is an exploded view of callout N in FIG. 26;
 FIG. 58A is an exploded view of callout O in FIG. 36;
 FIG. 58B is an exploded view of callout P in FIG. 36;
 FIG. 58C is an exploded view of callout Q in FIG. 36;
 FIG. 58D is an exploded view of callout R in FIG. 36;
 FIG. 58E is an exploded view of callout S in FIG. 36;
 FIG. 59A is an exploded view of callout T in FIG. 46;
 FIG. 59B is an exploded view of callout U in FIG. 46;
 FIG. 59C is an exploded view of callout V in FIG. 46;
 FIG. 59D is an exploded view of callout W in FIG. 46;
 FIG. 59E is an exploded view of callout X in FIG. 46; and,
 FIG. 59F is an exploded view of callout Y in FIG. 46.

1 Claim, 25 Drawing Sheets

(58) **Field of Classification Search**

CPC G05B 19/00; G05B 15/00; E05B 49/00;
 E05B 49/02; E05B 9/00; E05B 17/00;
 E05B 37/00; E05B 3/00; E05B 13/103;
 E05B 1/00; E05B 47/00

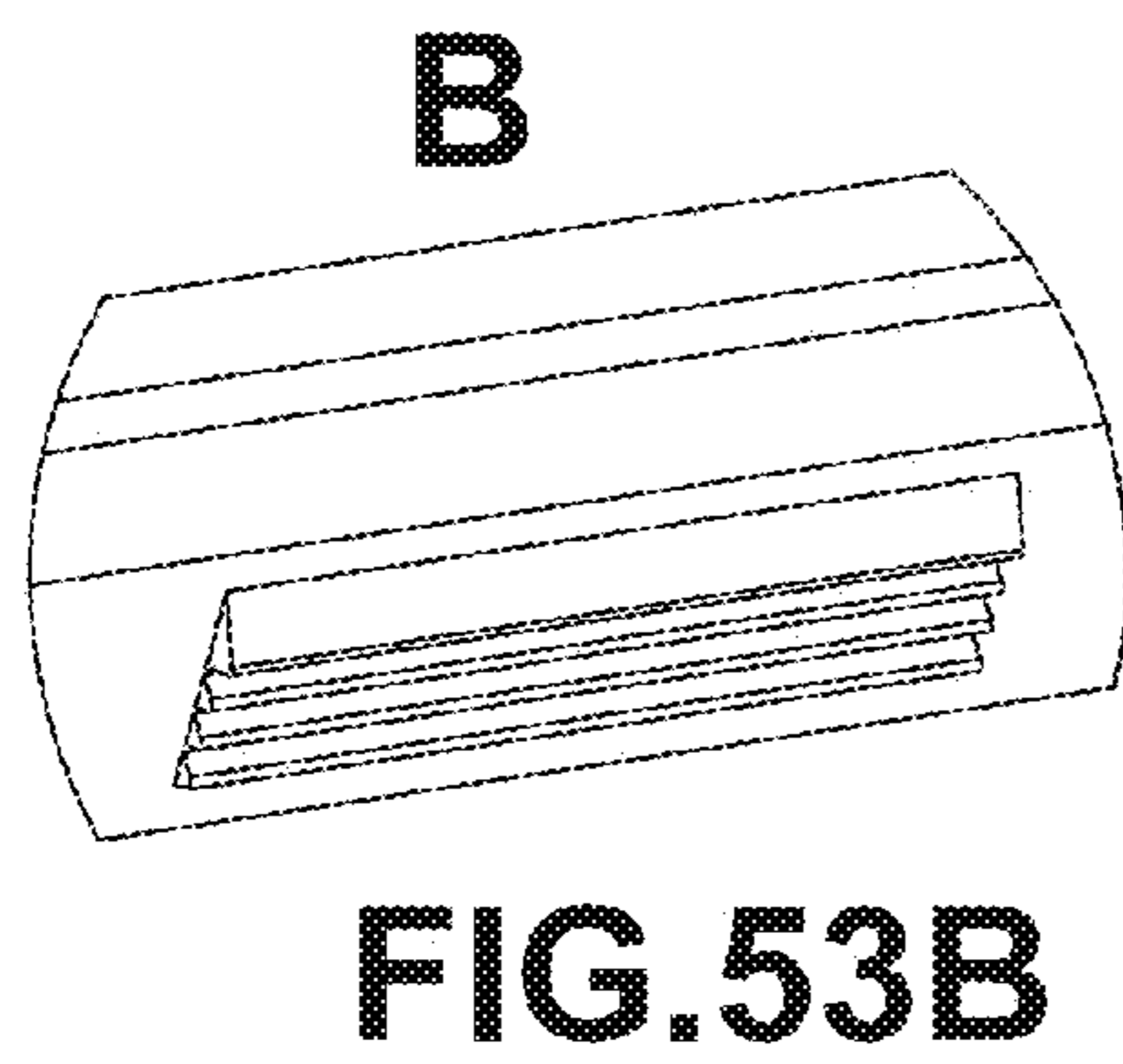
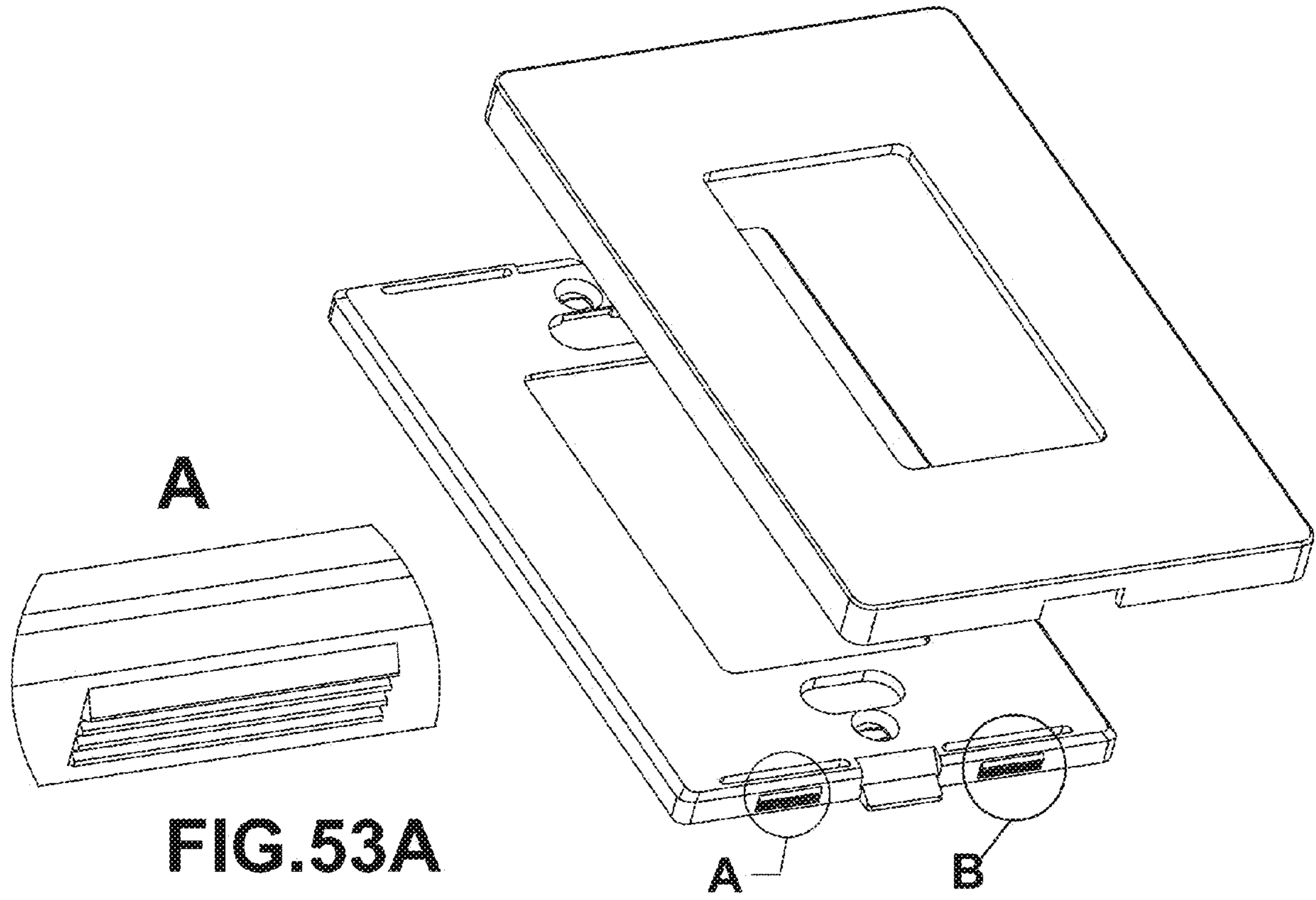
See application file for complete search history.

(56) **References Cited**

U.S. PATENT DOCUMENTS

D484,392	S *	12/2003	Mayo	D8/353
7,071,413	B1 *	7/2006	Paape	H02G 1/00 174/66
D542,627	S *	5/2007	Rohmer	D8/353
D550,076	S *	9/2007	Ni	D8/353
D555,458	S *	11/2007	Kaufman	D8/353
D583,220	S *	12/2008	Ni	D8/353
D617,173	S *	6/2010	Anzalone	A47G 29/10 D8/353
D644,914	S *	9/2011	Hoffman	D8/353
D760,062	S *	6/2016	Groleski	D8/331
D761,079	S *	7/2016	Groleski	D8/331
D818,799	S *	5/2018	Poulheim	D8/353
D842,075	S *	3/2019	Knight	D8/353
D842,076	S *	3/2019	Knight	D8/353
2003/0124022	A1 *	7/2003	Georges	A61L 9/03 422/5
2006/0072302	A1 *	4/2006	Chien	F21S 8/035 362/84
2013/0221868	A1 *	8/2013	Diotte	F21V 33/006 315/227 R
2014/0246218	A1 *	9/2014	Shotey	H02G 3/14 174/66
2015/0229079	A1 *	8/2015	Smith	H05K 5/03 323/318

* cited by examiner



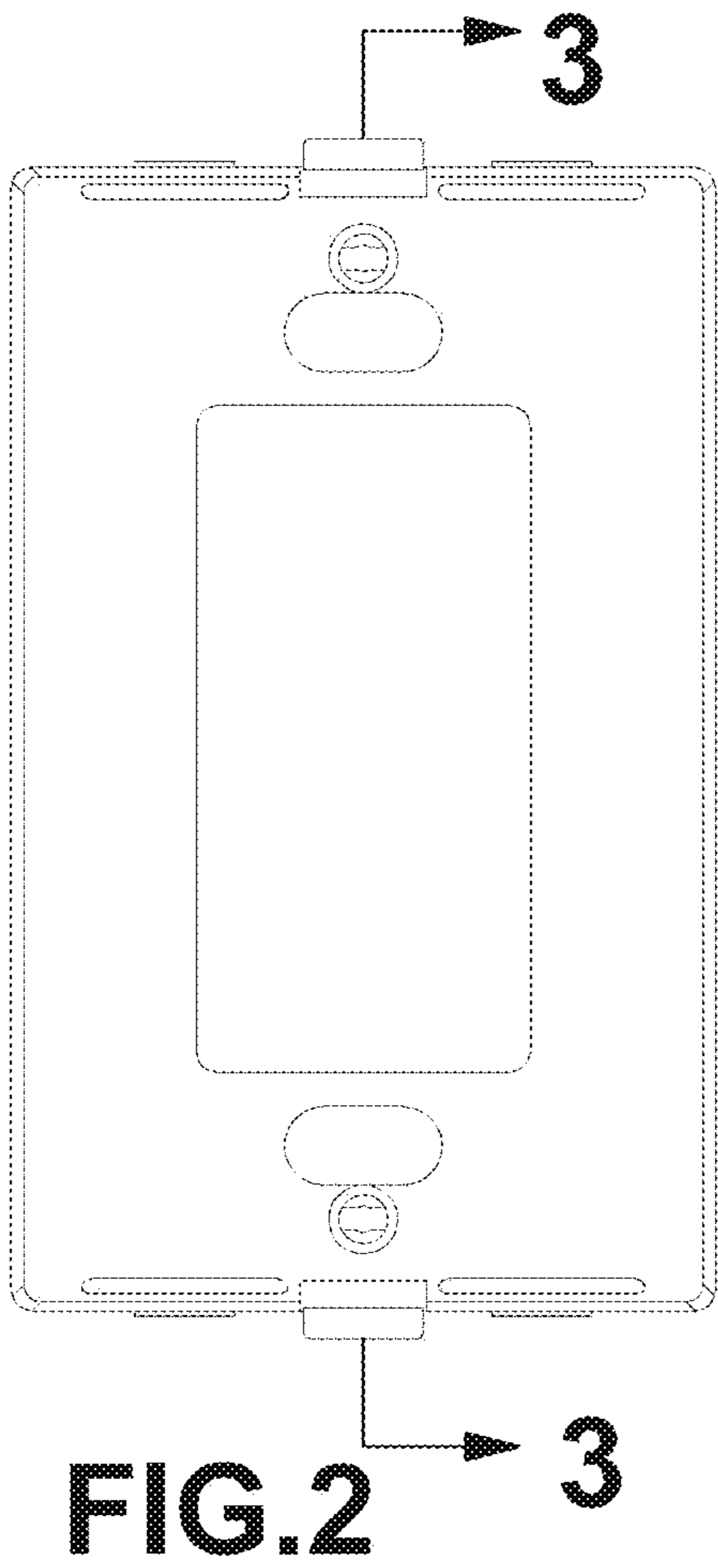


FIG. 3

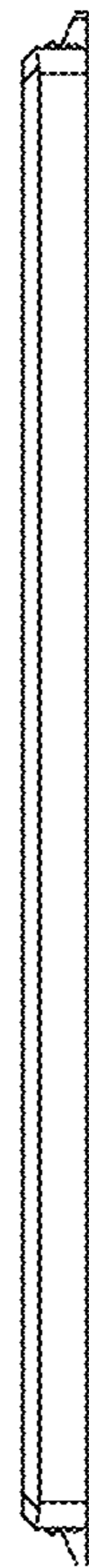


FIG. 4

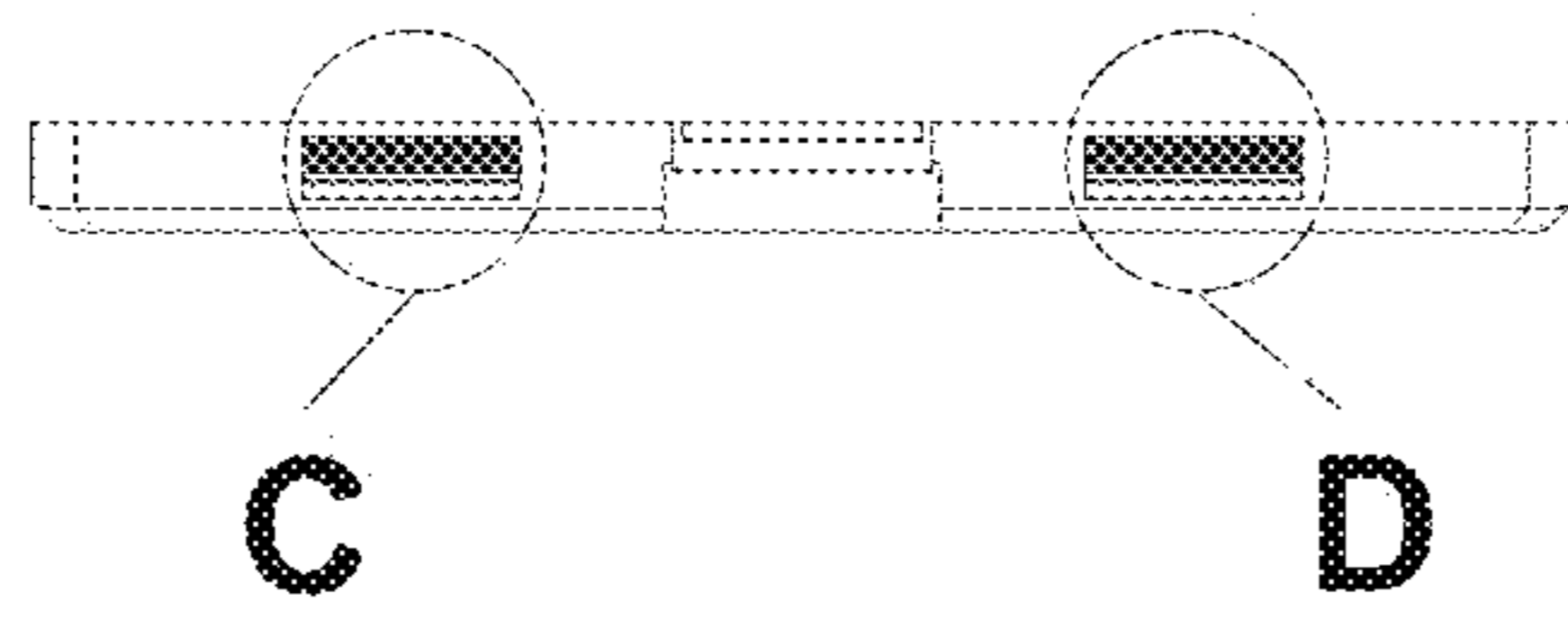


FIG. 5

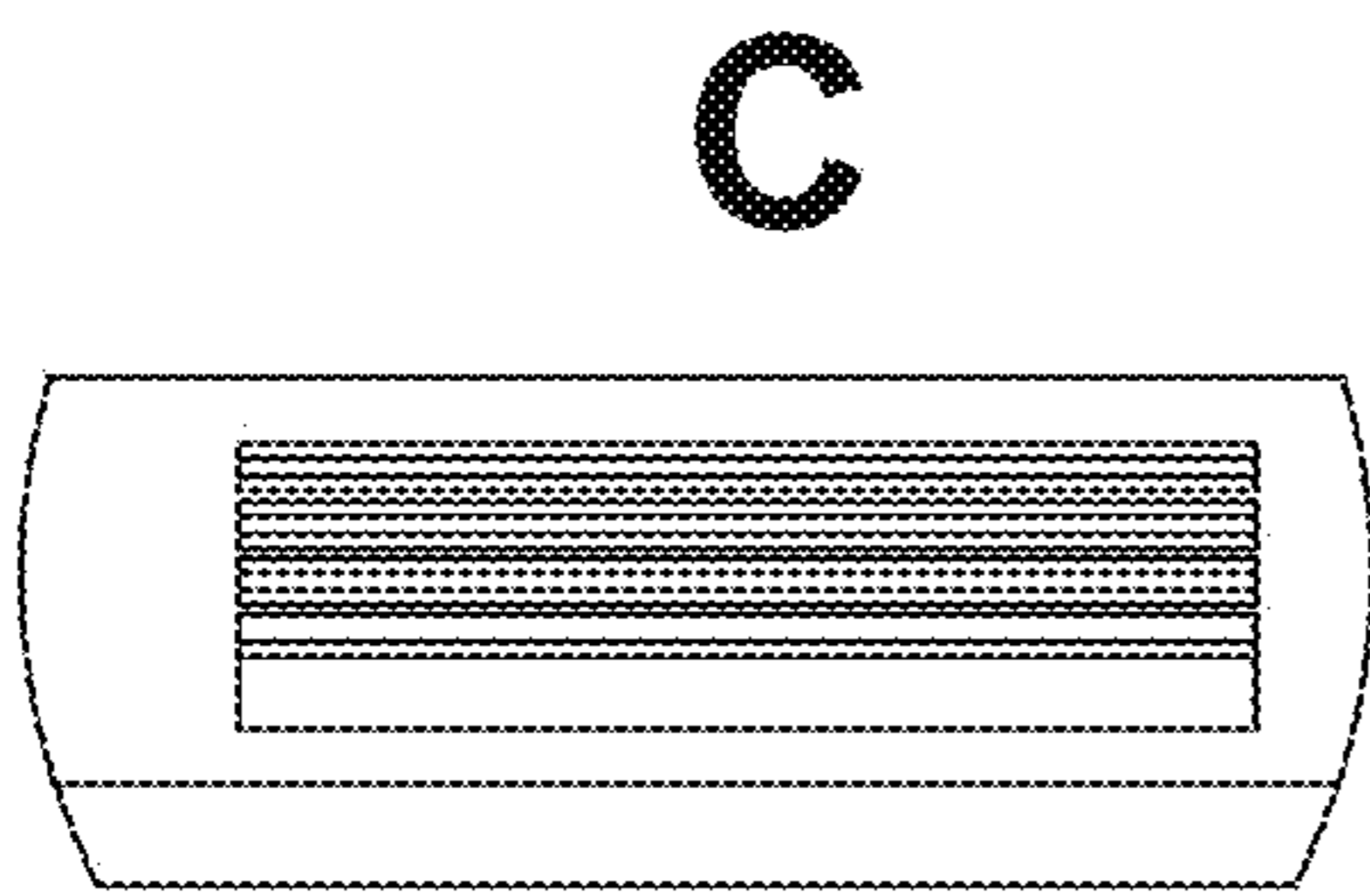


FIG. 54A

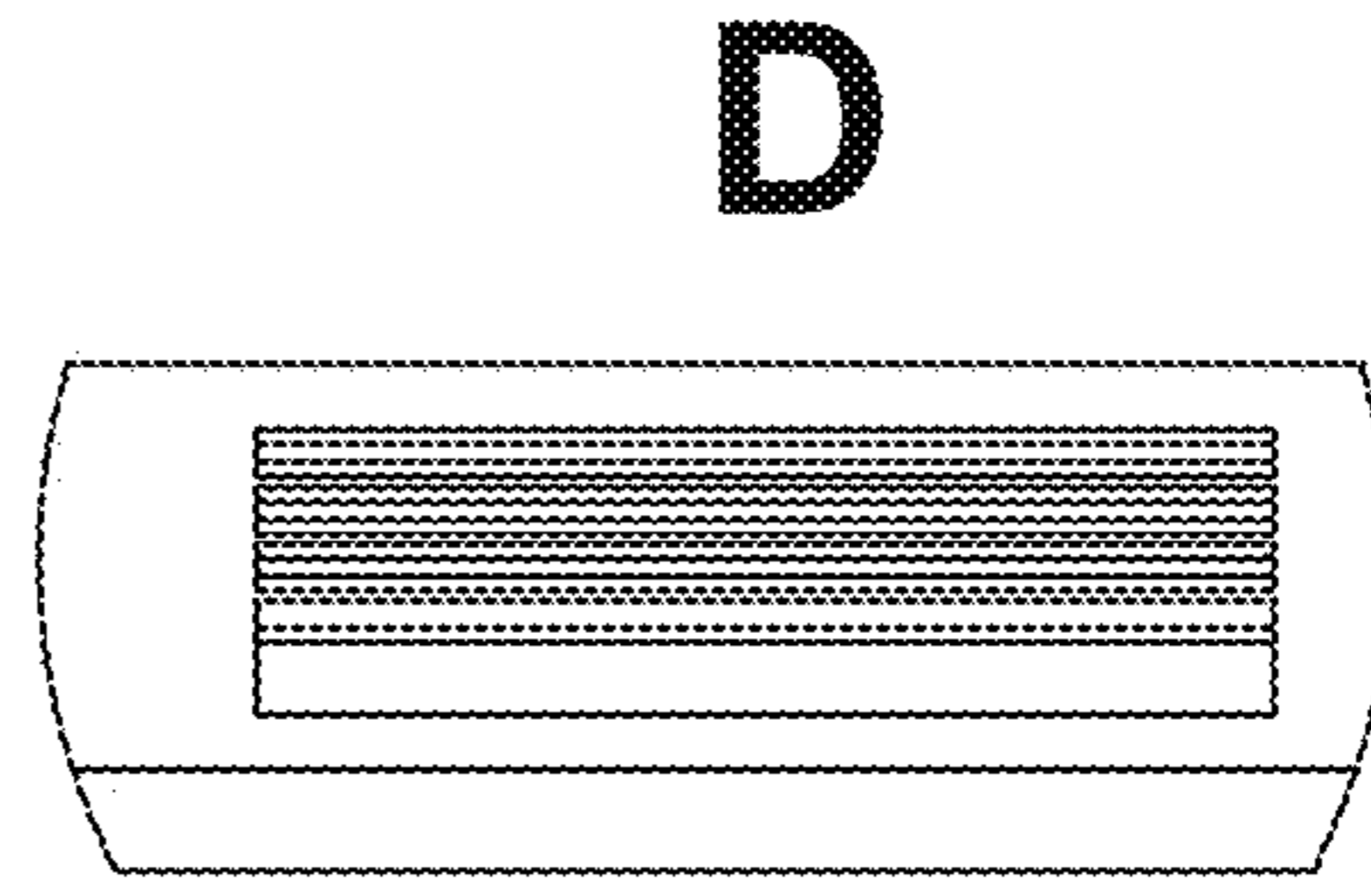


FIG. 54B

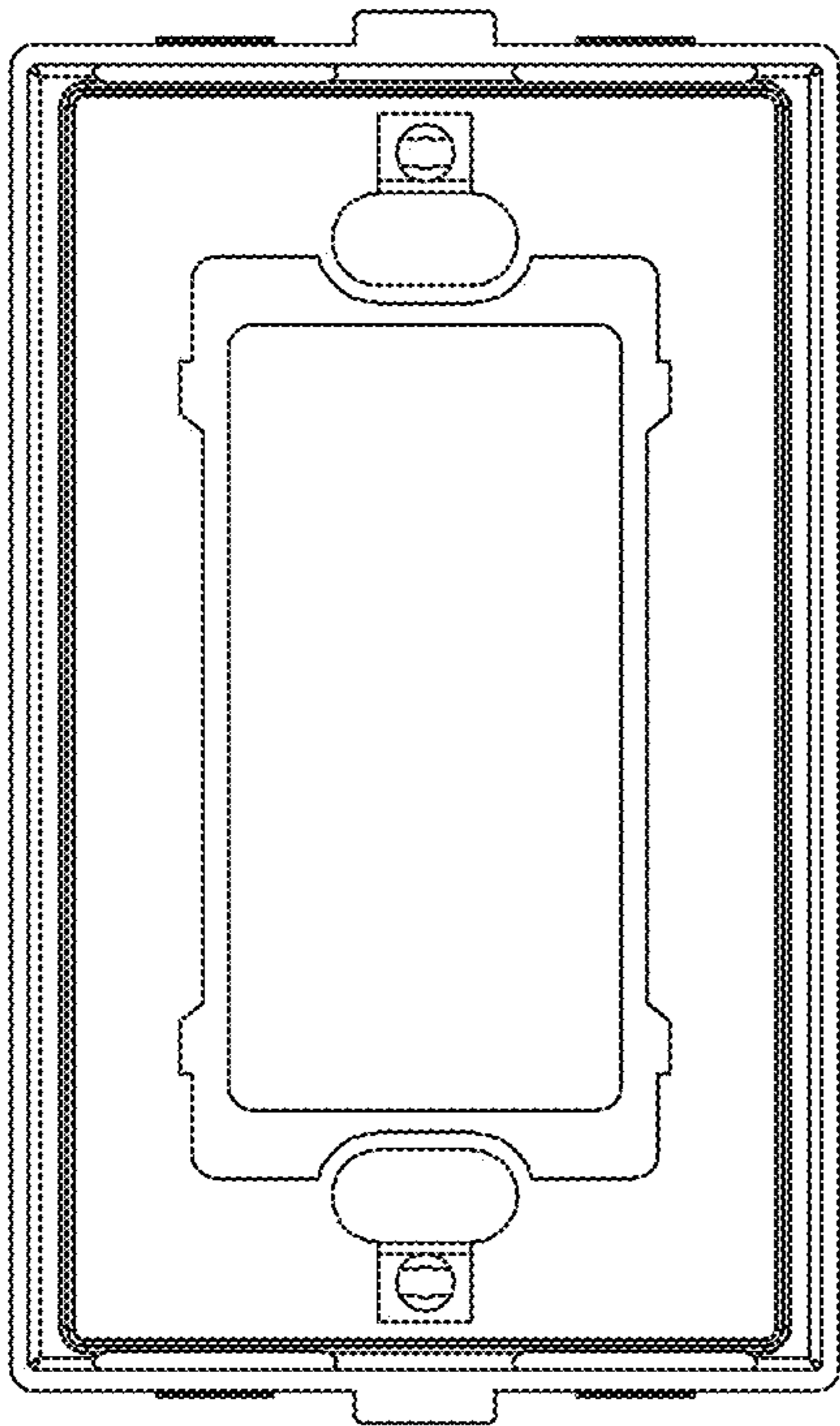


FIG. 6

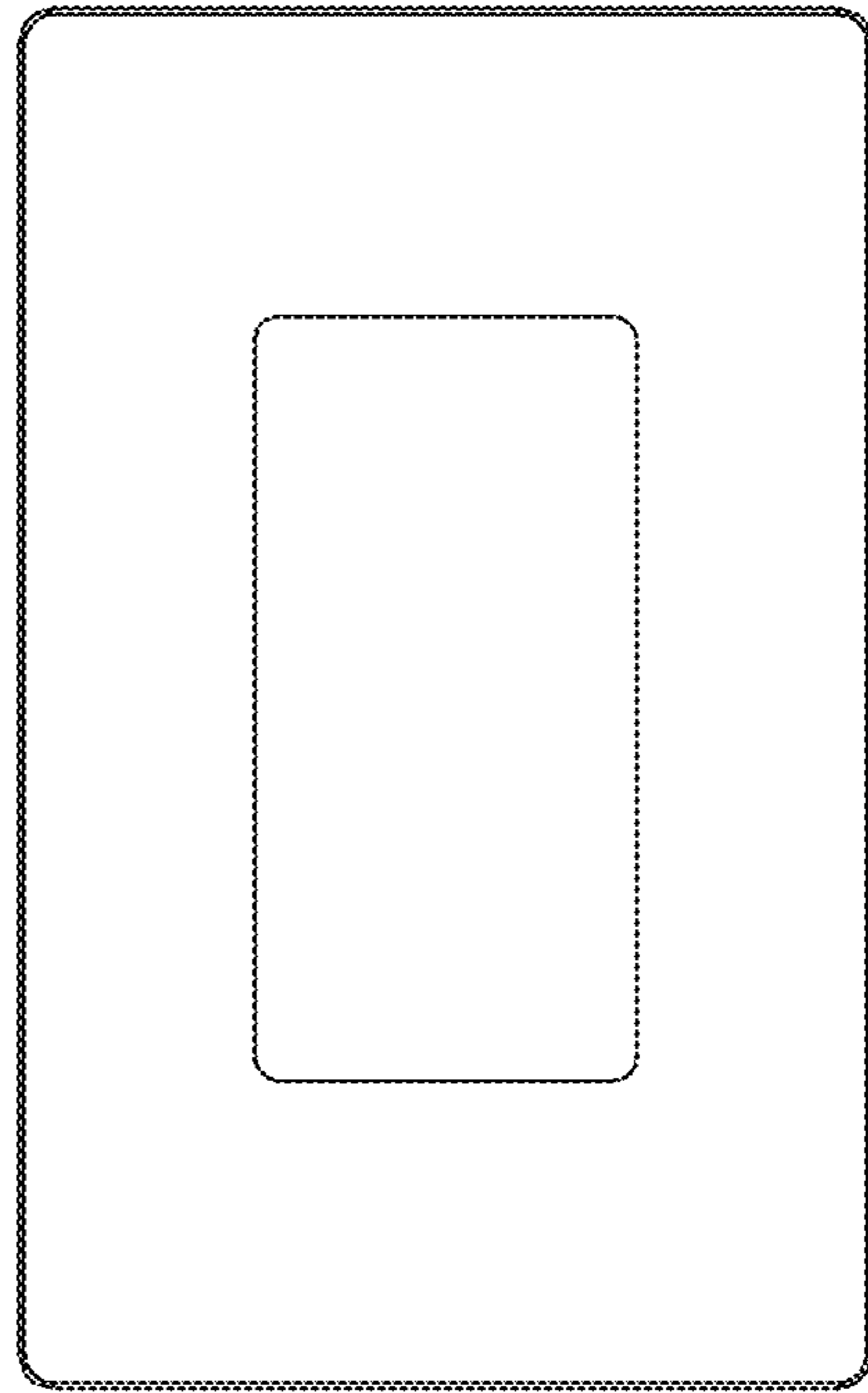


FIG. 7



FIG. 8

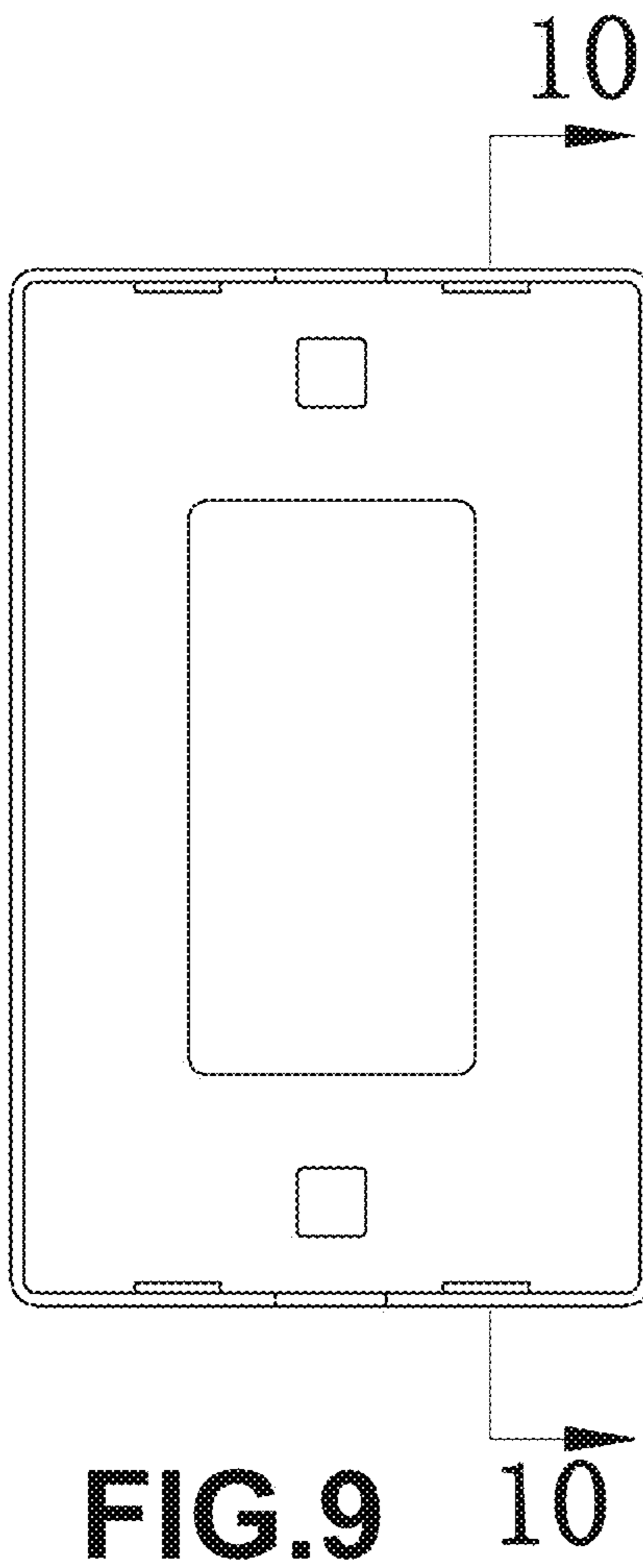


FIG. 10

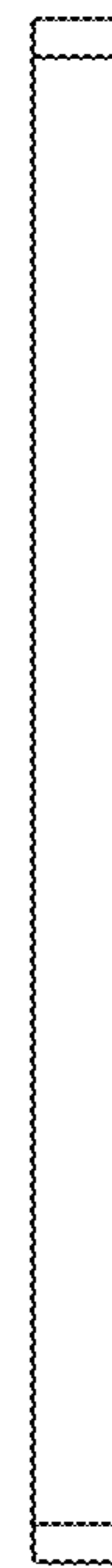


FIG. 11

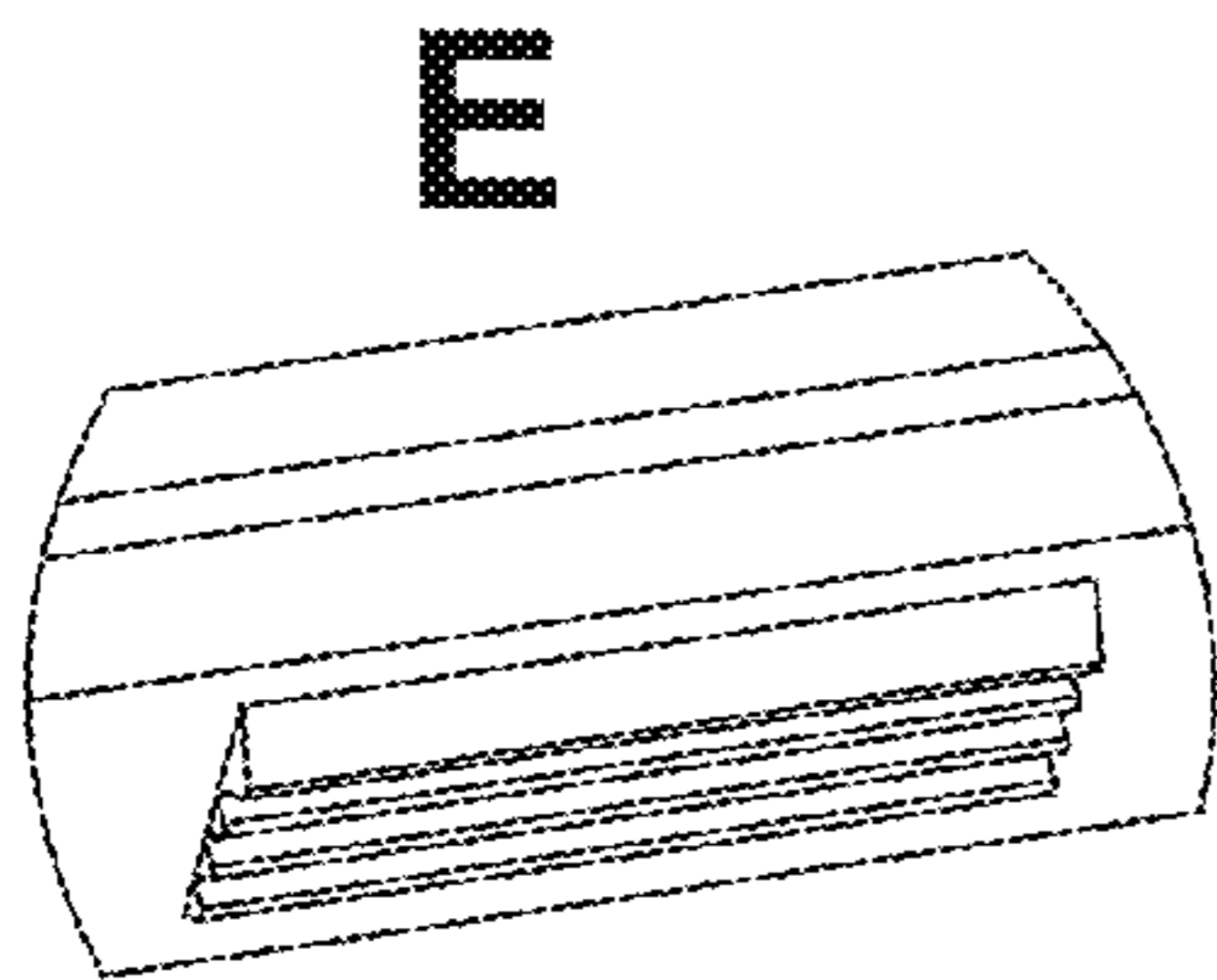
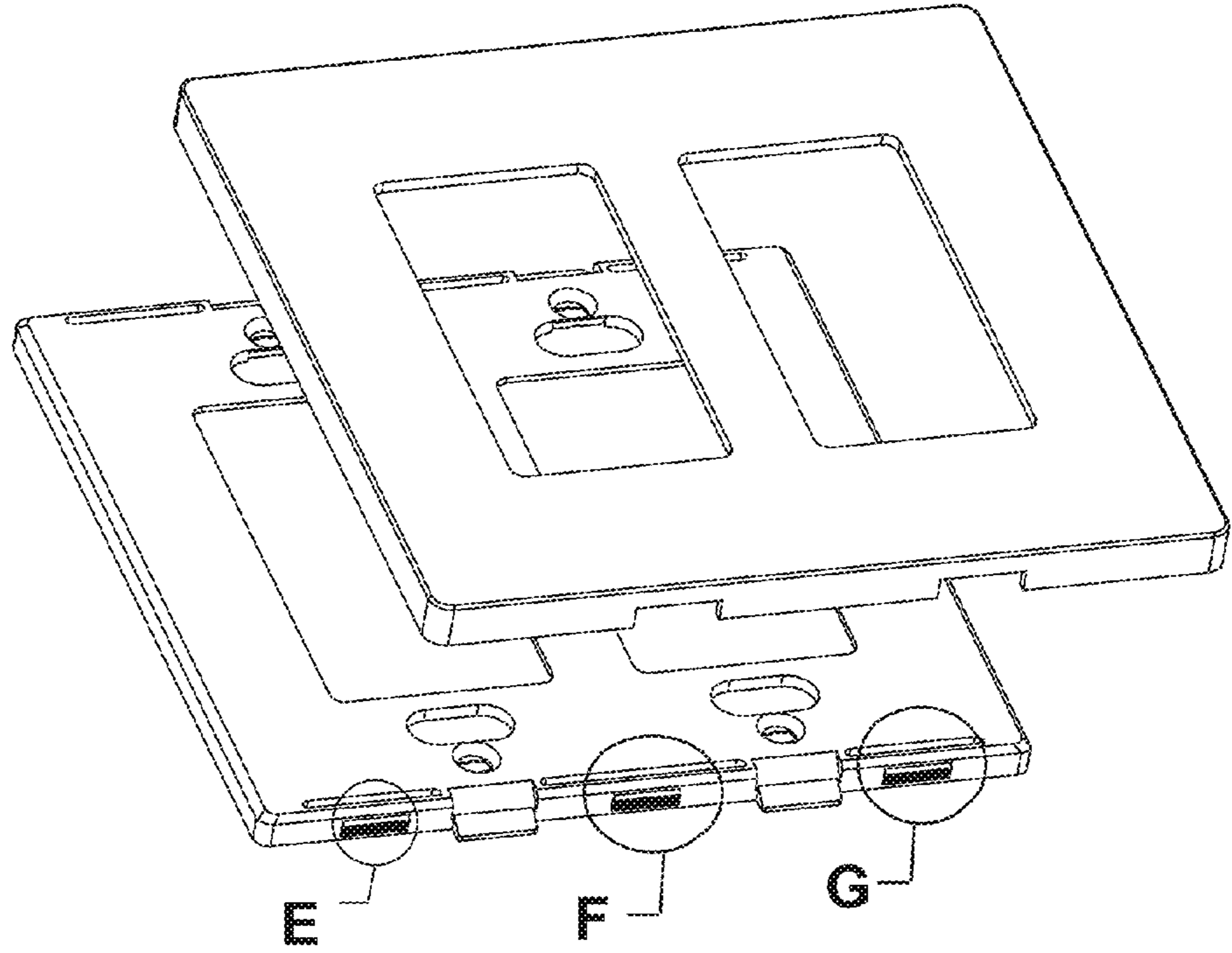


FIG.55A

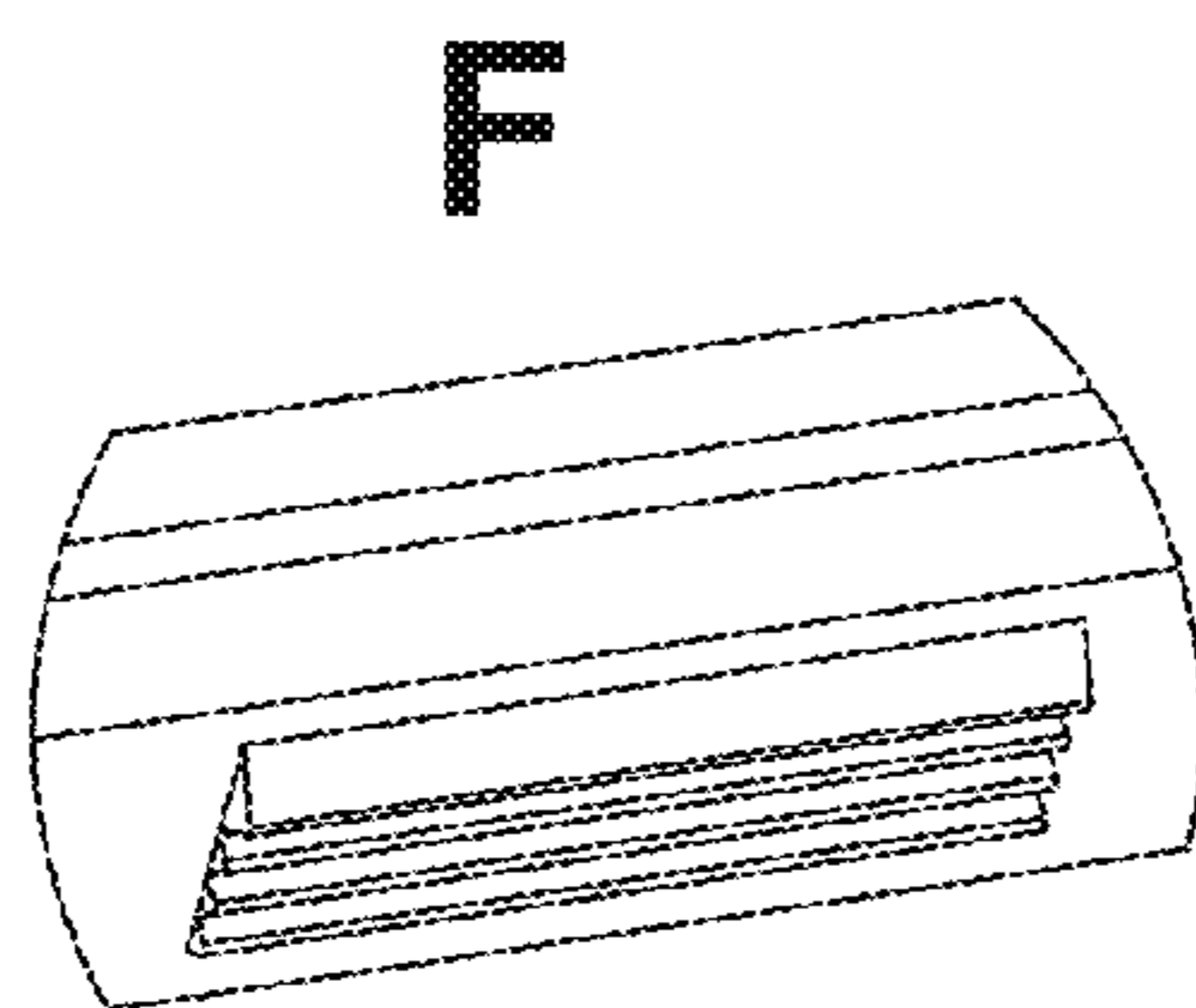


FIG.55B

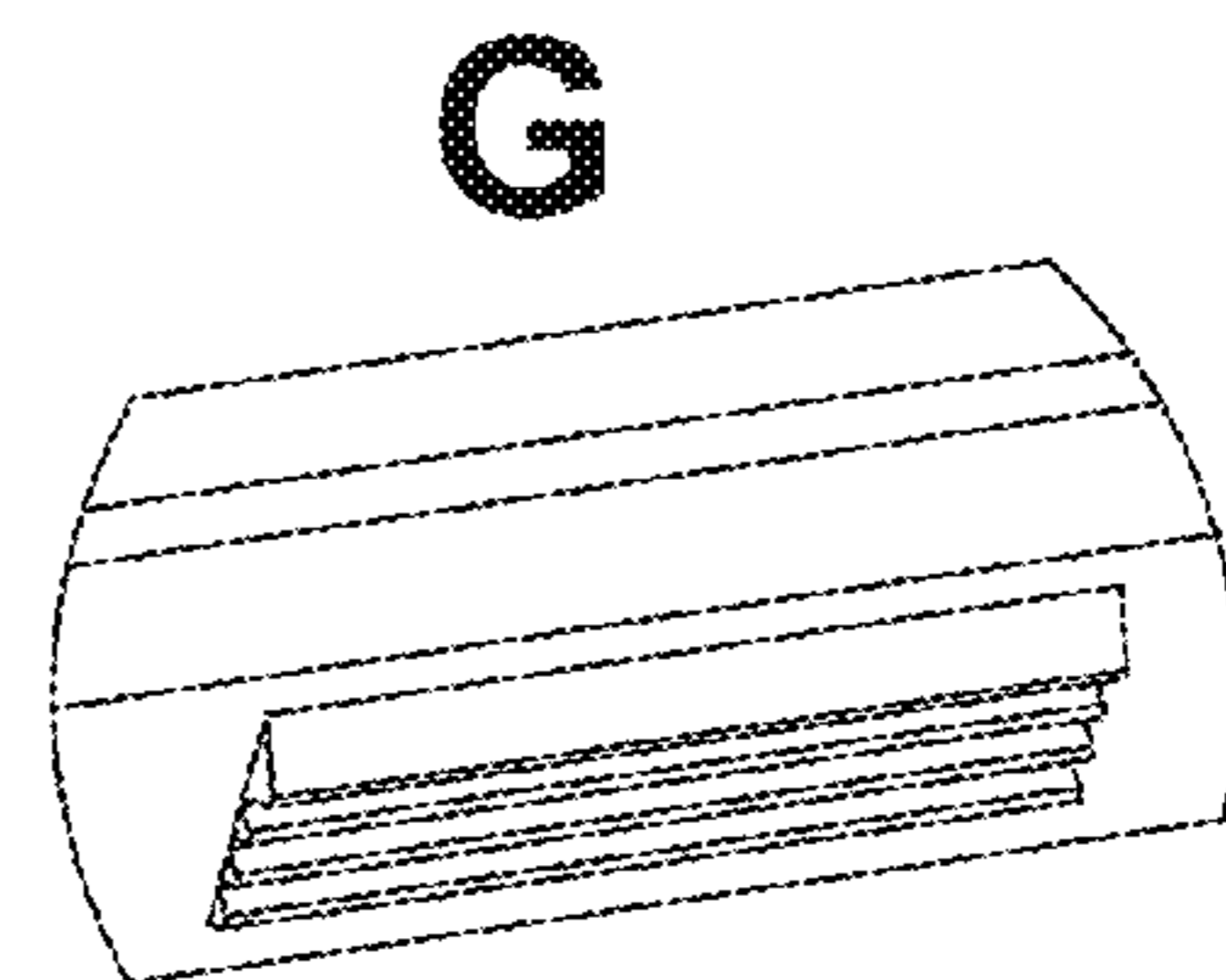


FIG.55C

FIG.12

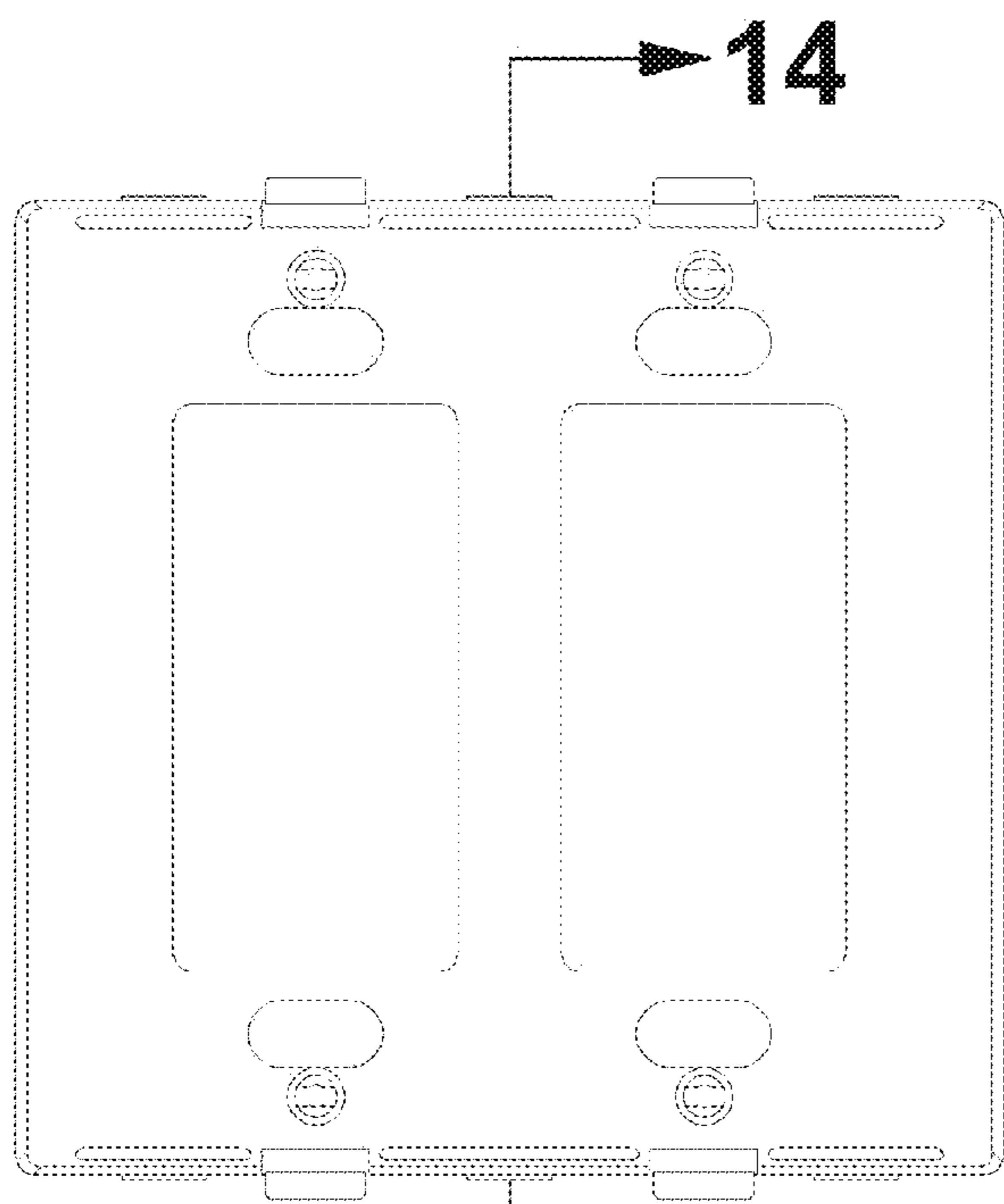


FIG.13 → **14**



FIG.14



FIG.15

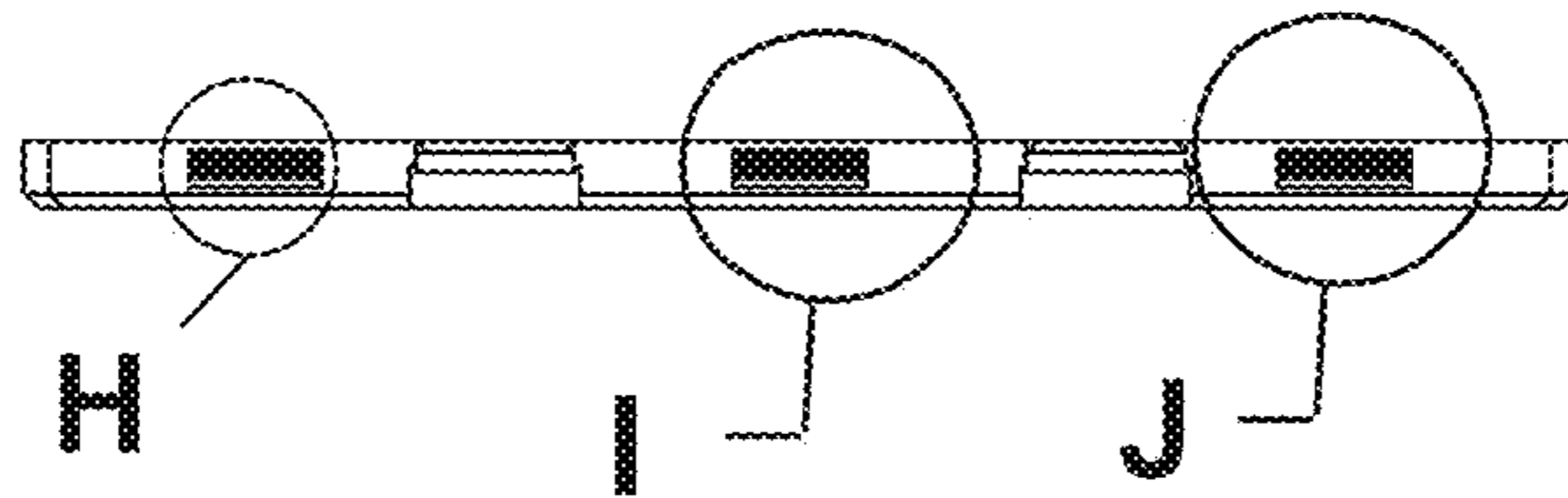


FIG. 16

H

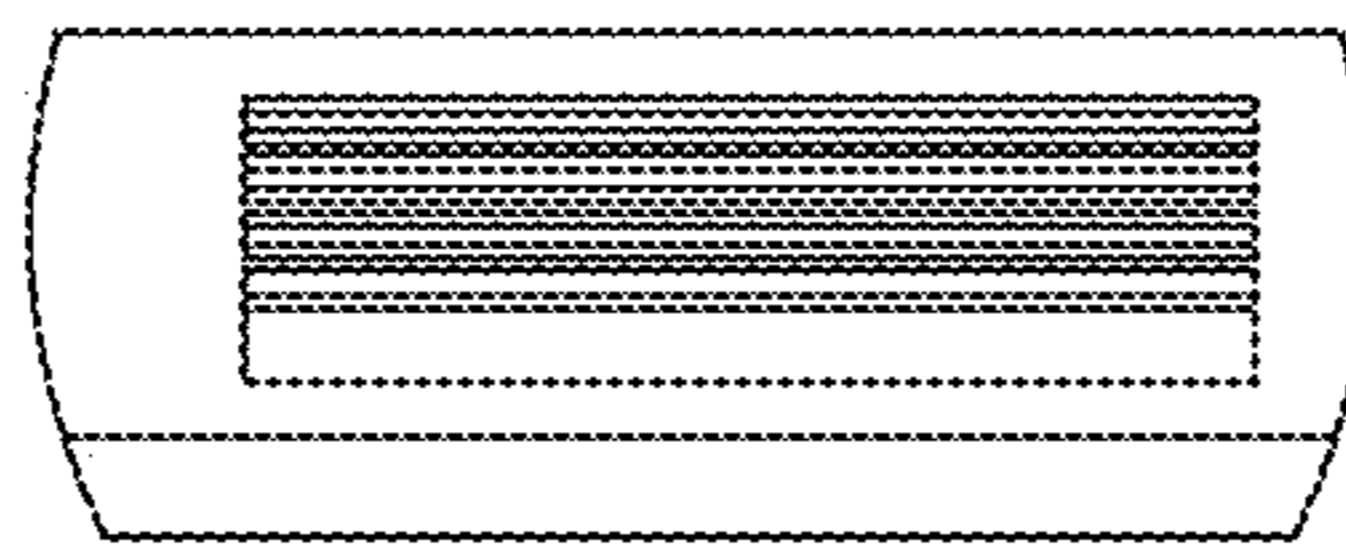


FIG. 56A

I

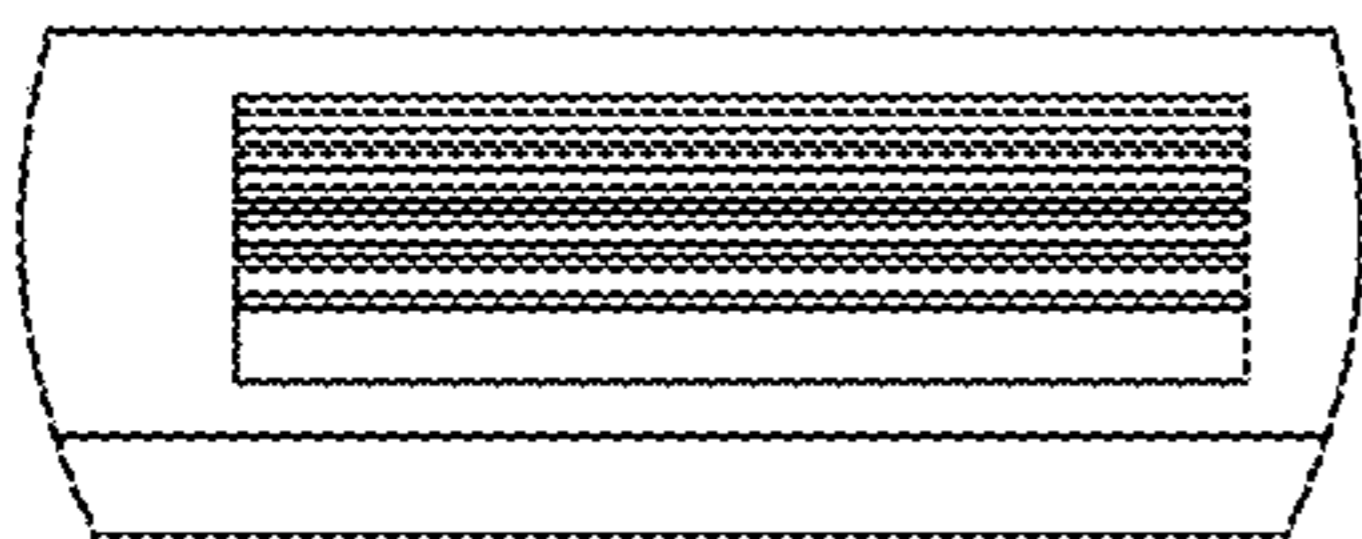


FIG. 56B

J

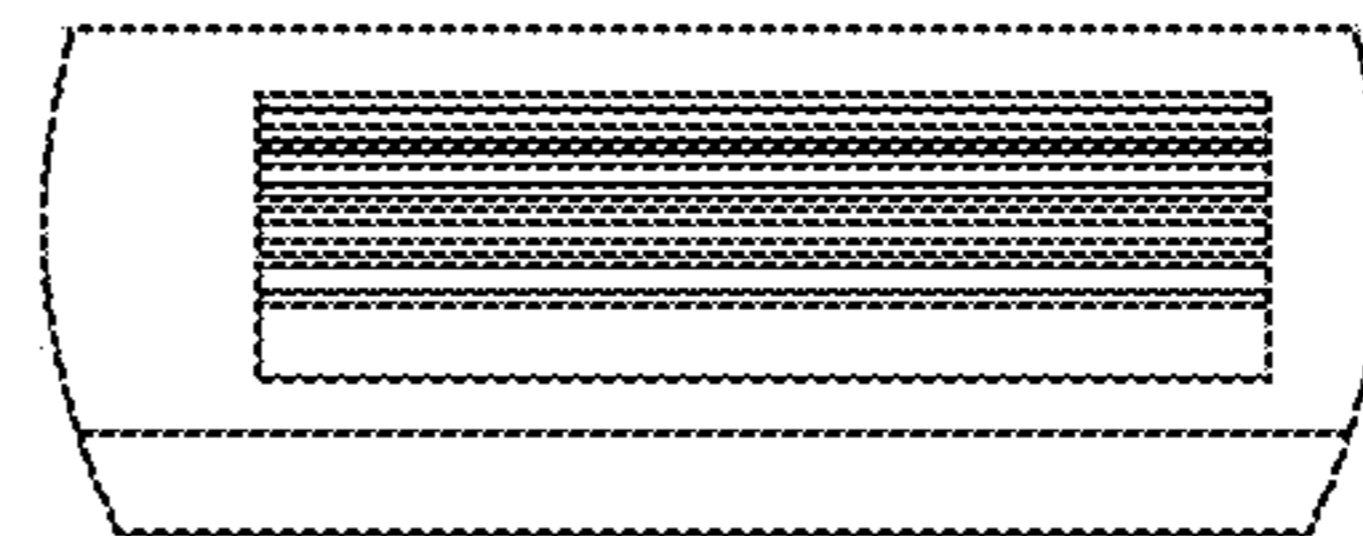


FIG. 56C

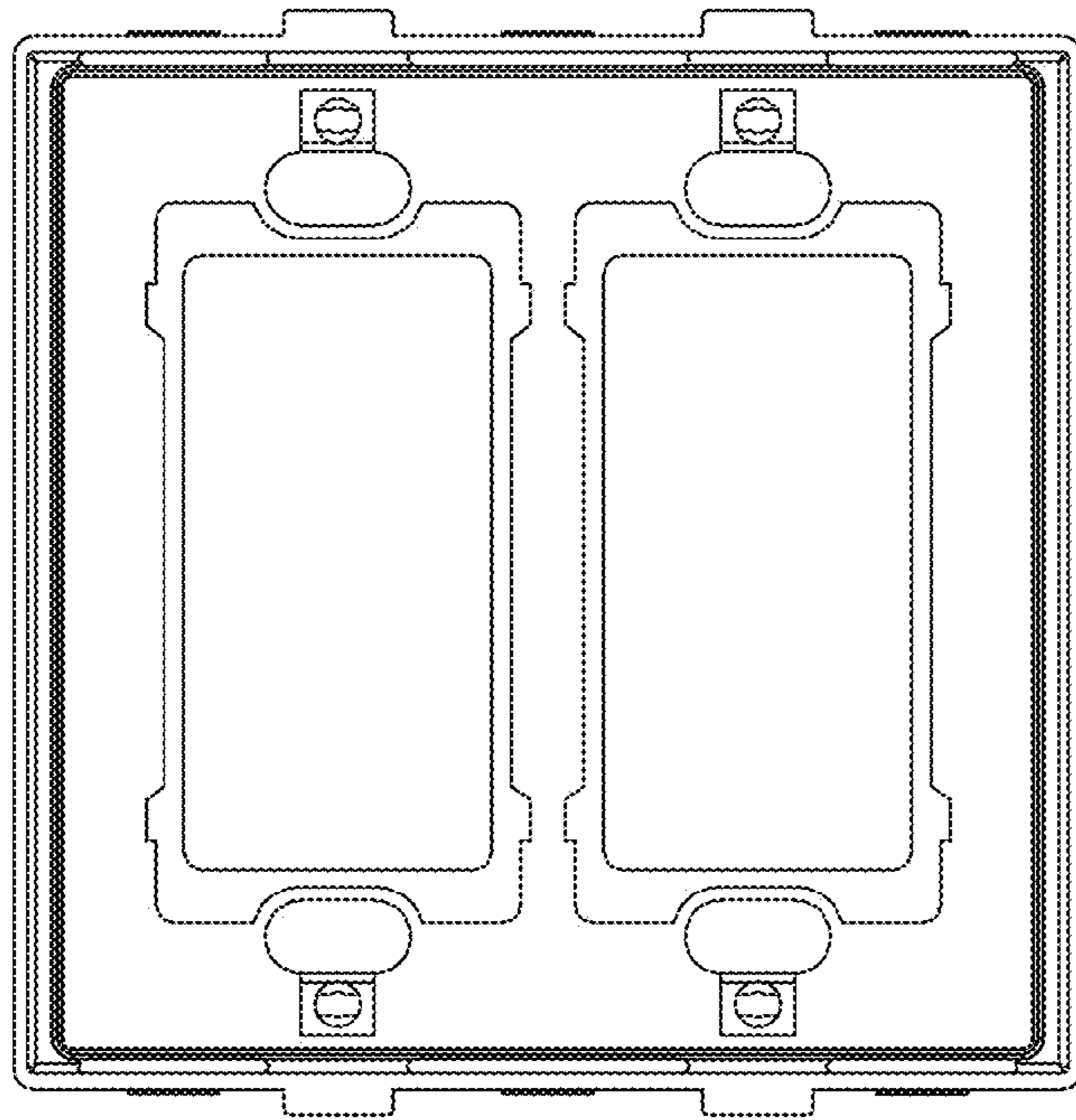


FIG. 17

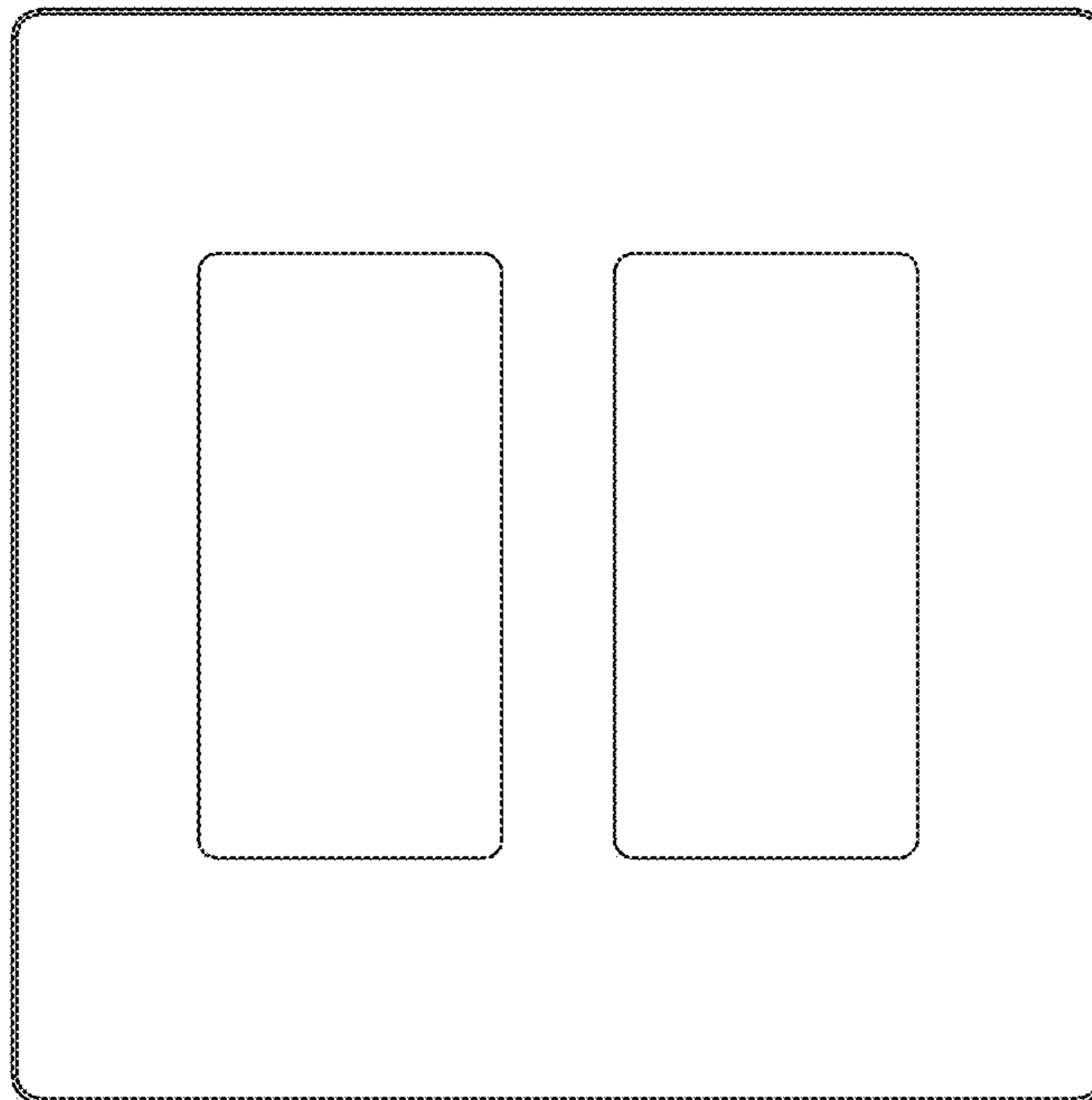


FIG. 18

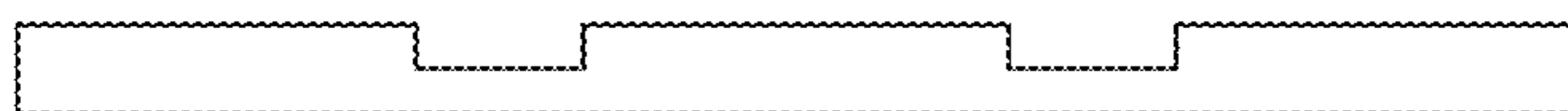


FIG. 19

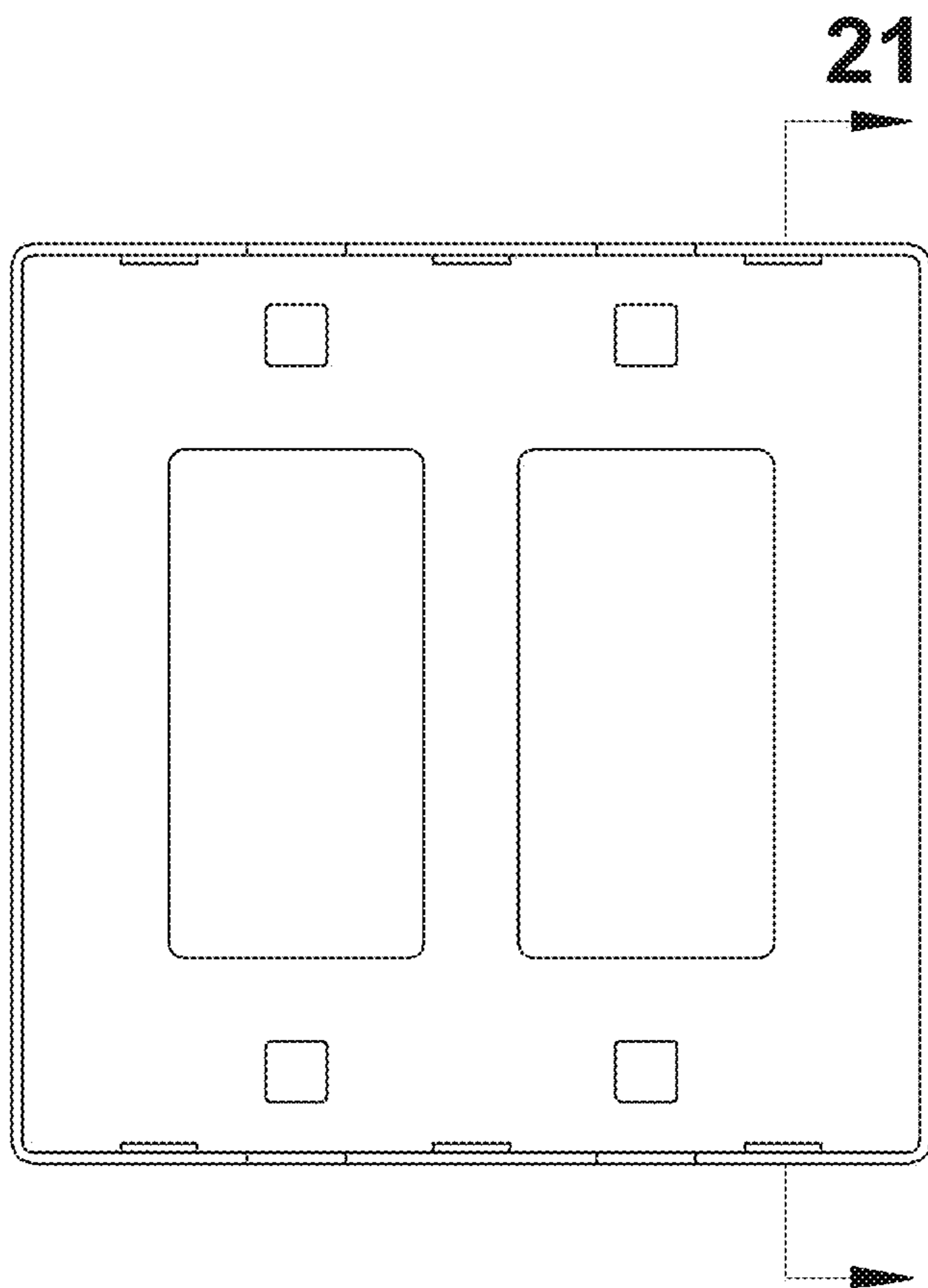


FIG.20

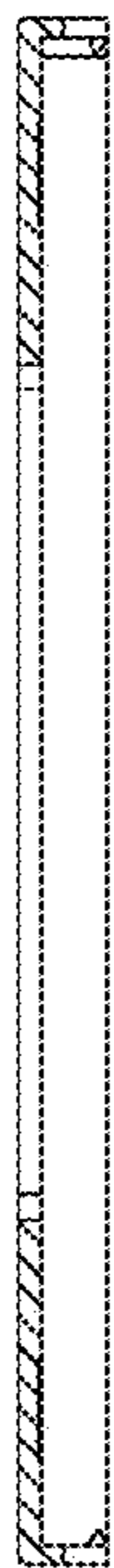


FIG.21



FIG.22

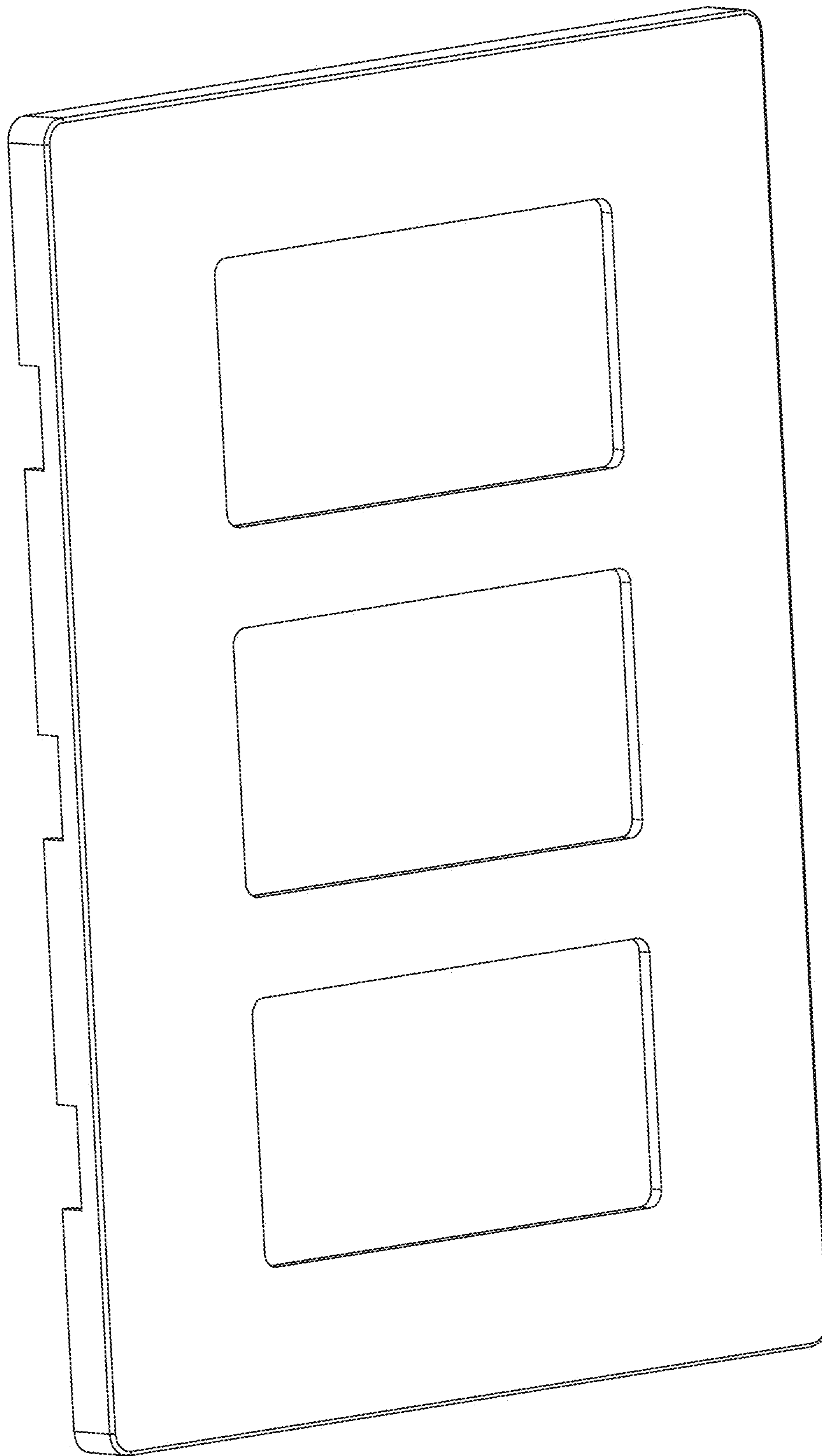


FIG.23

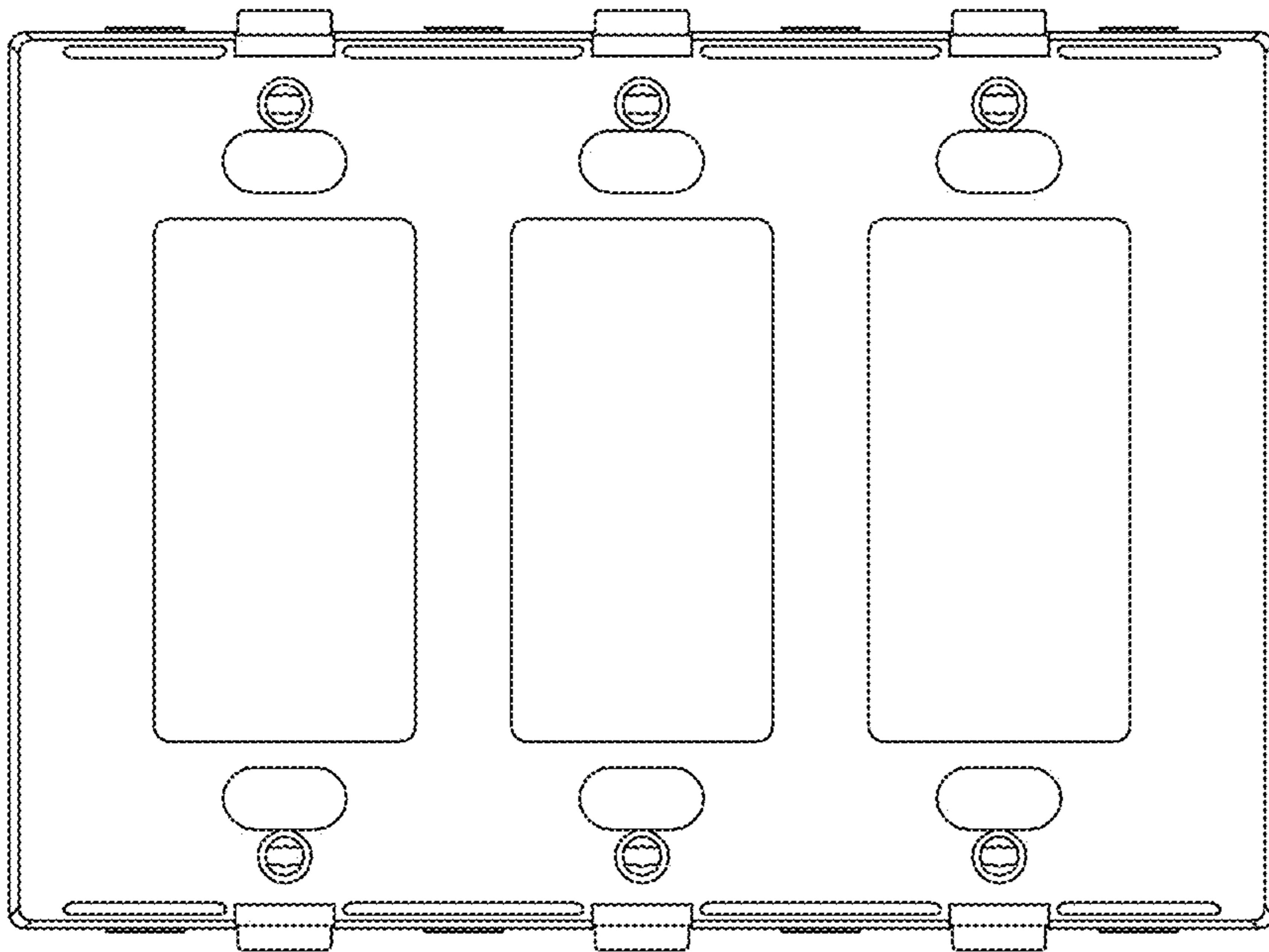


FIG. 24

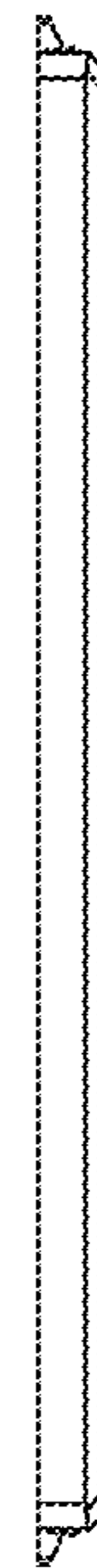


FIG. 25

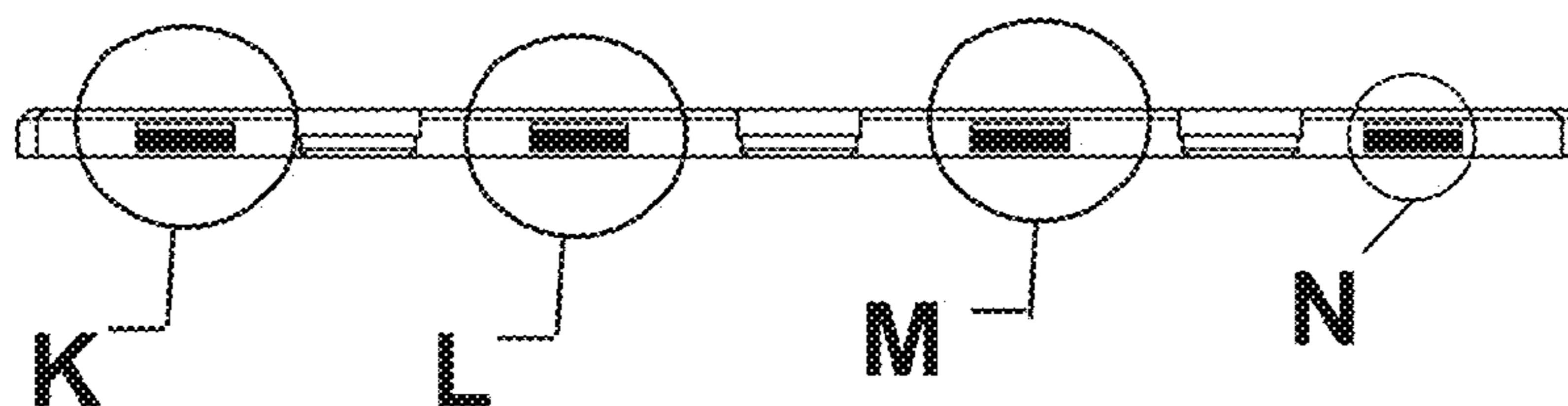


FIG. 26

K

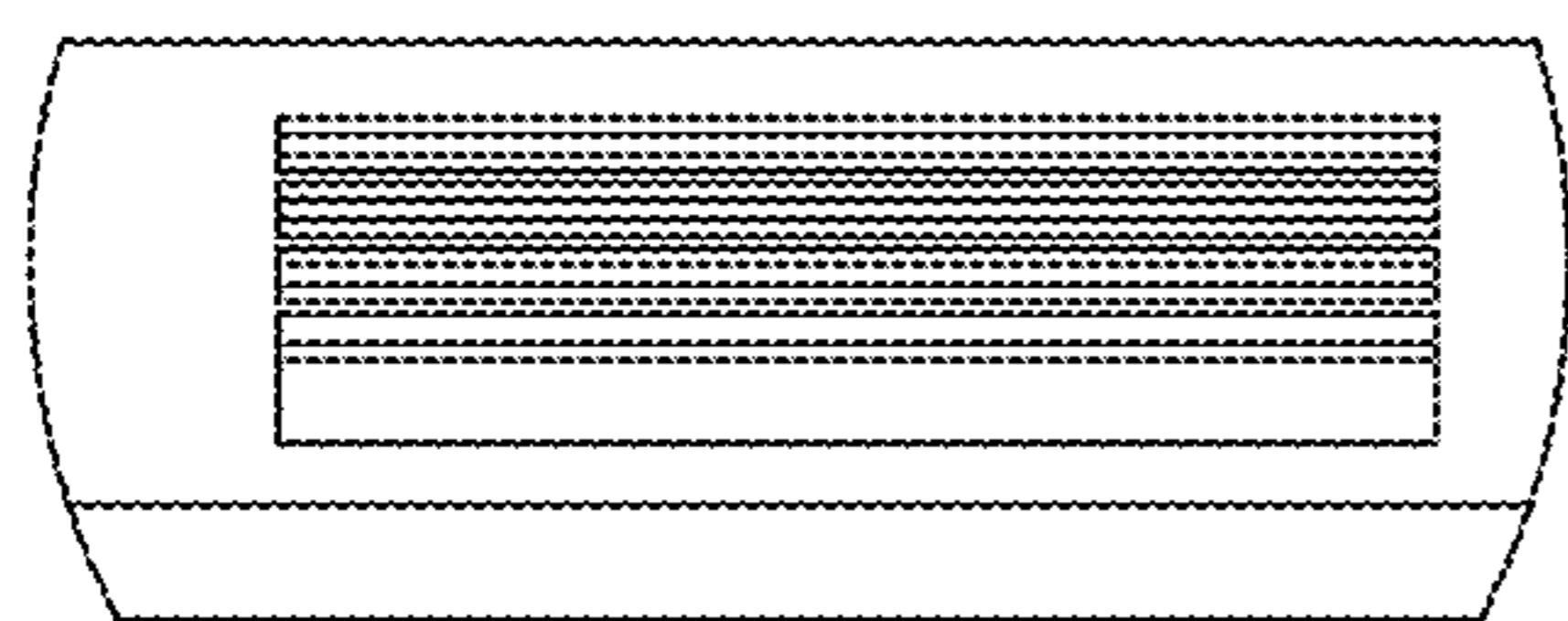


FIG. 57A

L

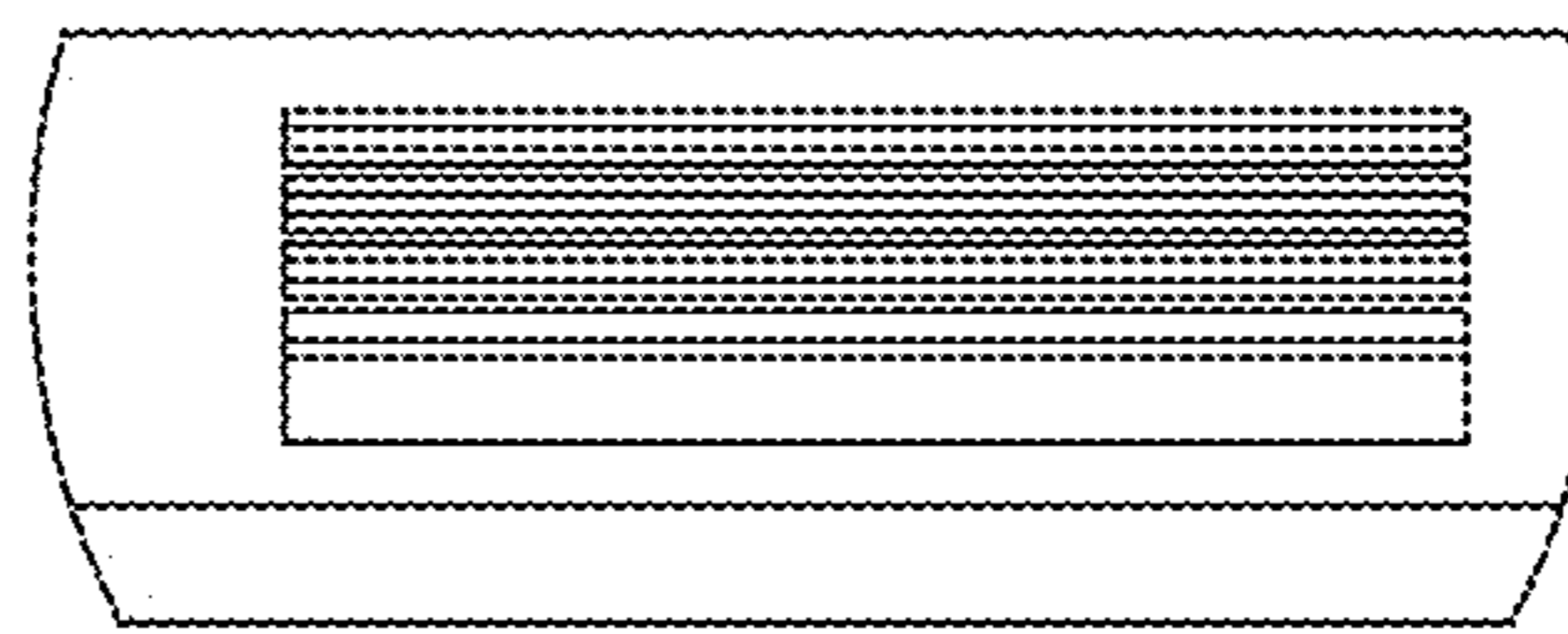


FIG. 57B

M

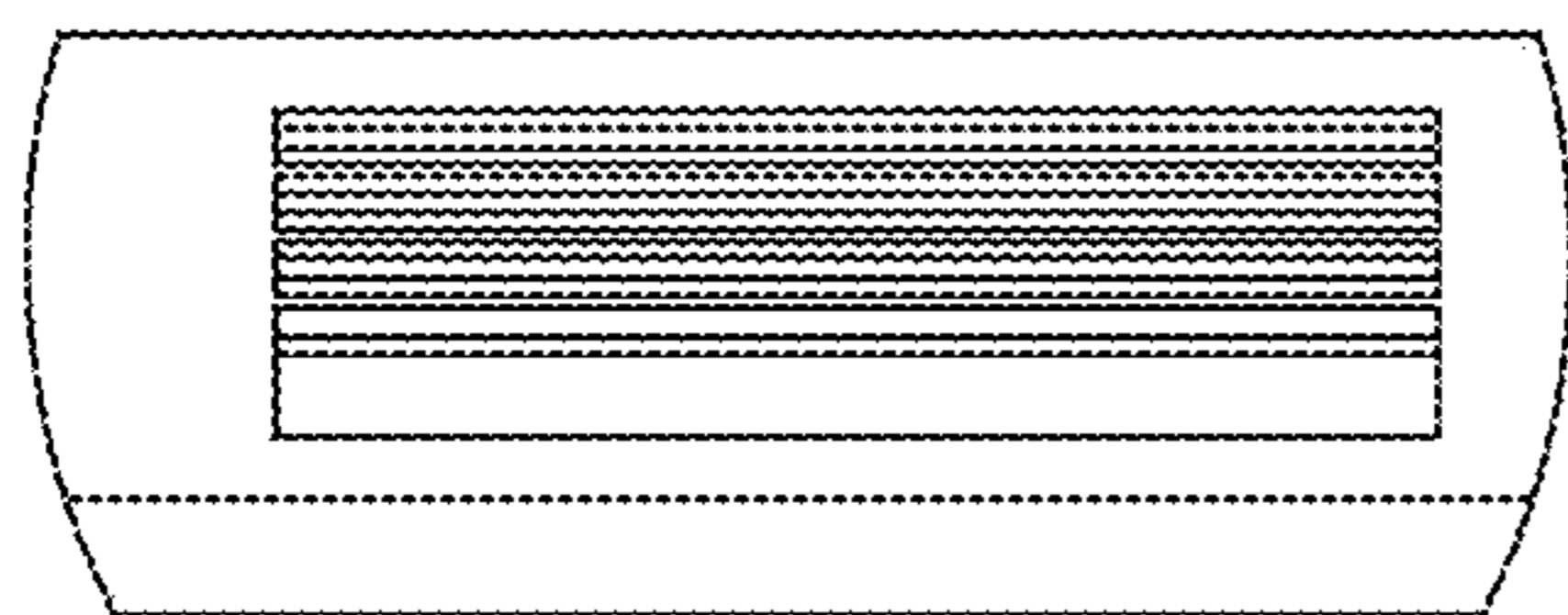


FIG. 57C

N

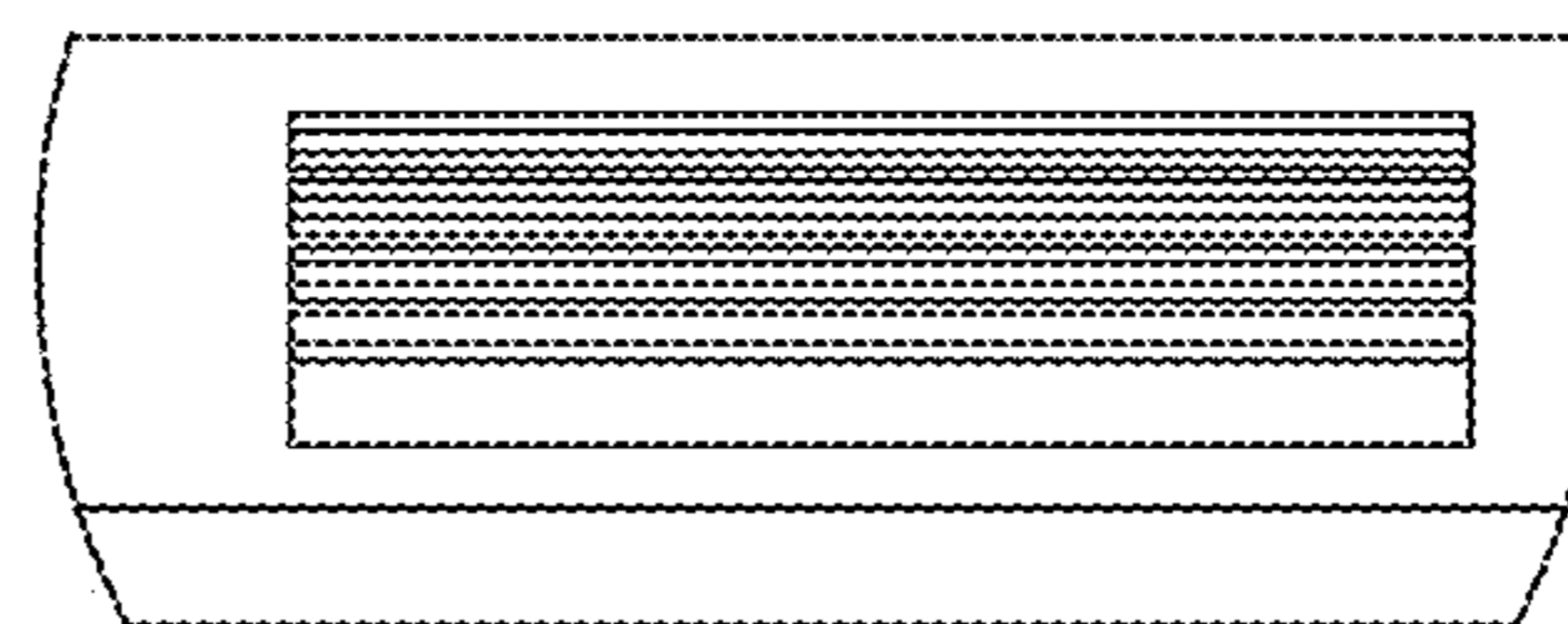


FIG. 57D

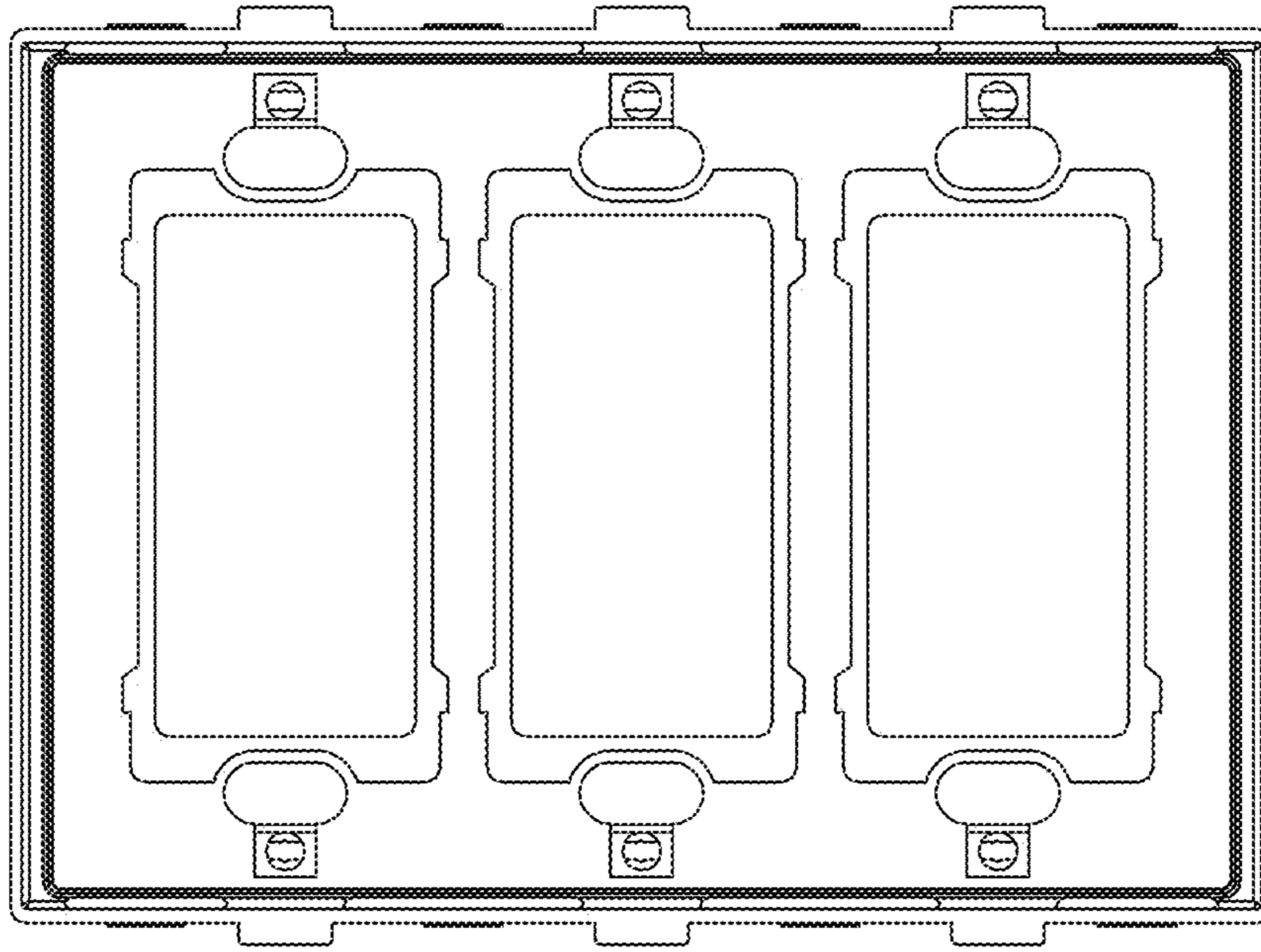


FIG.27

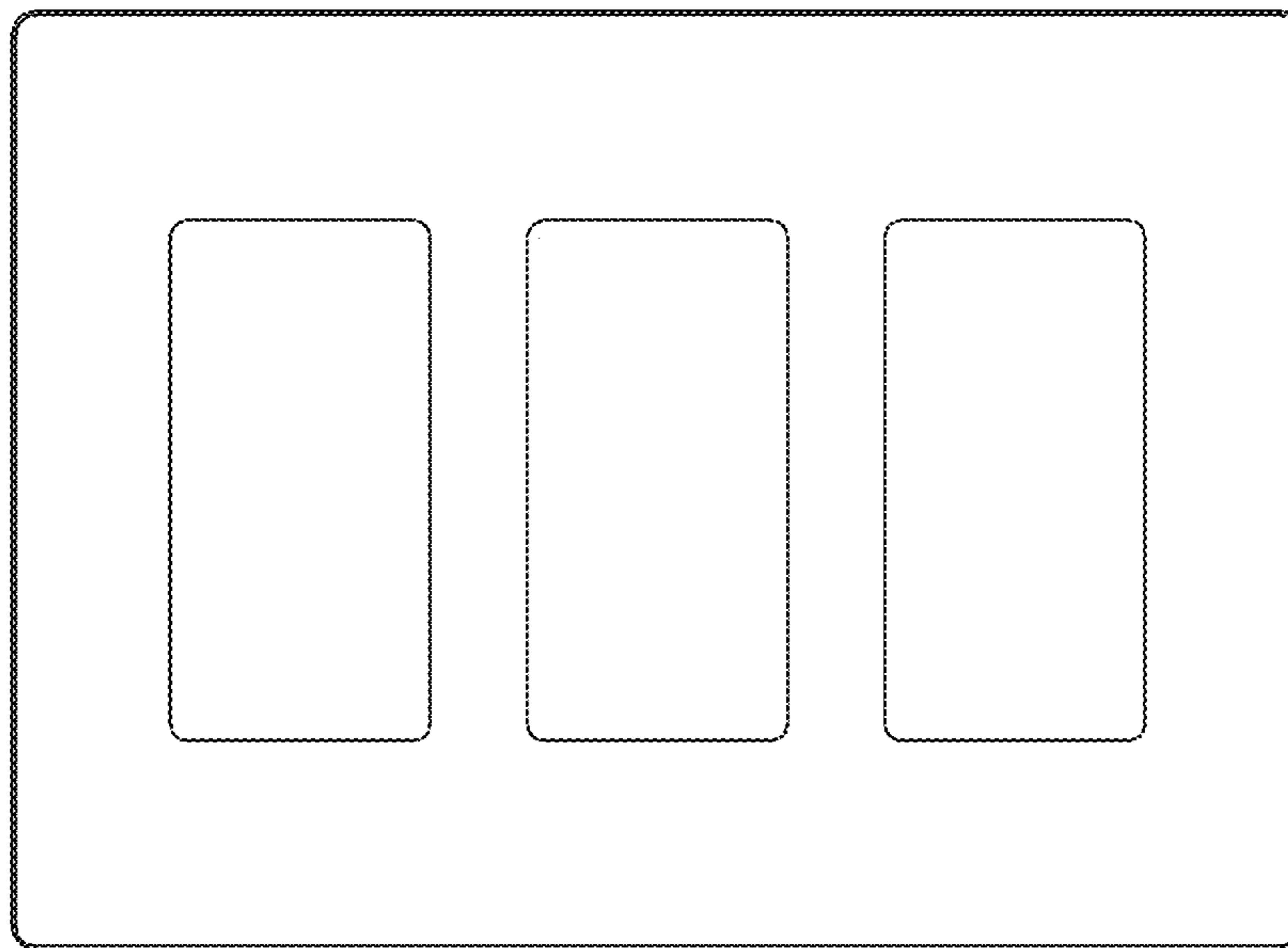


FIG.28

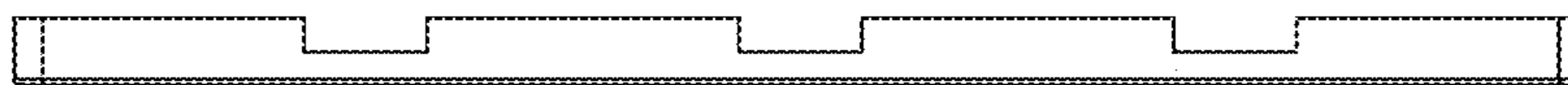


FIG.29

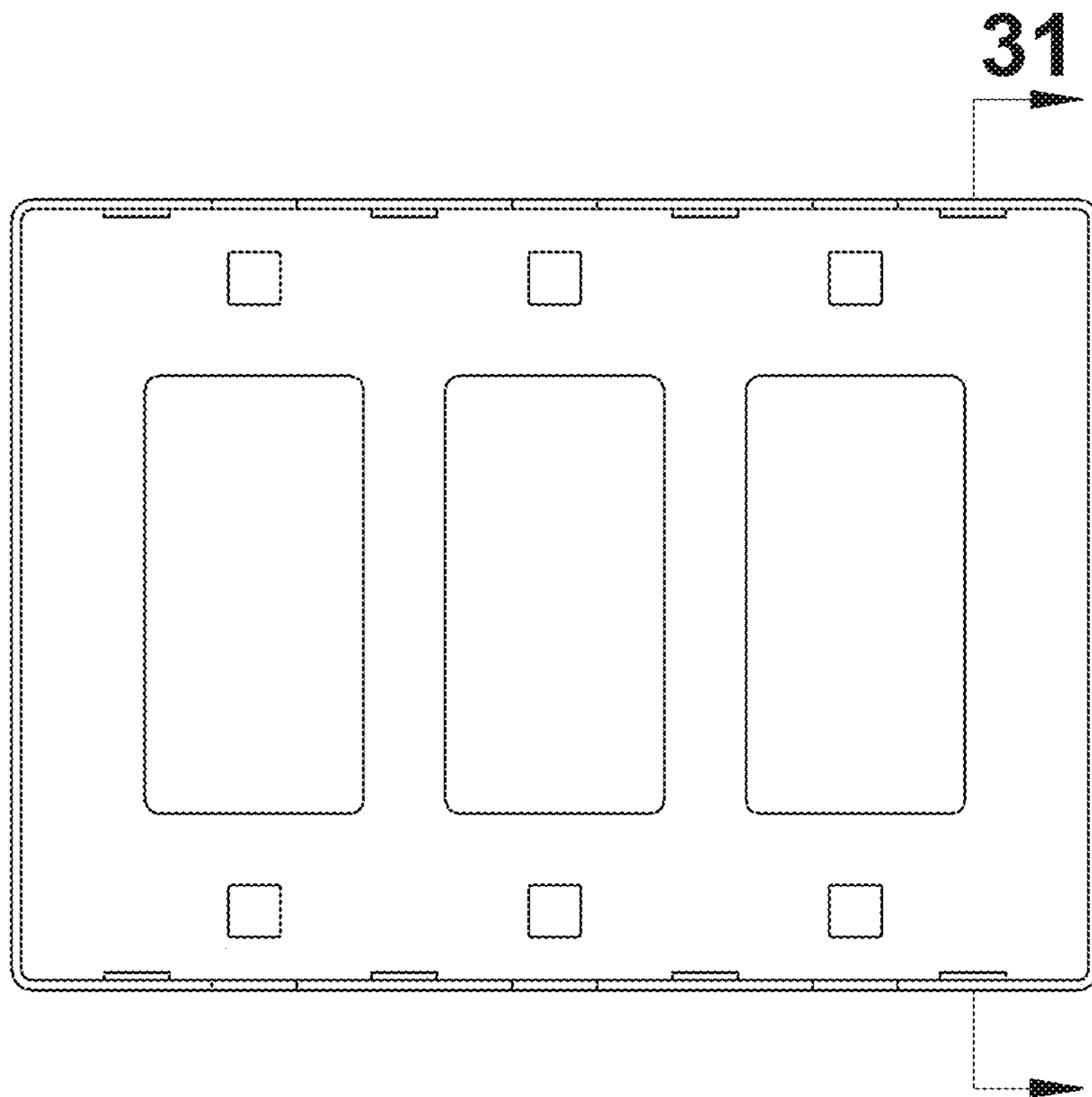


FIG. 30

31

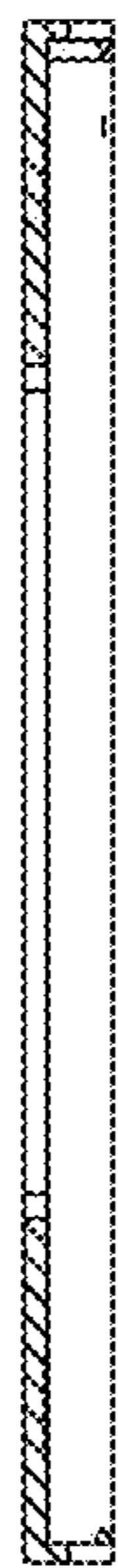


FIG. 31

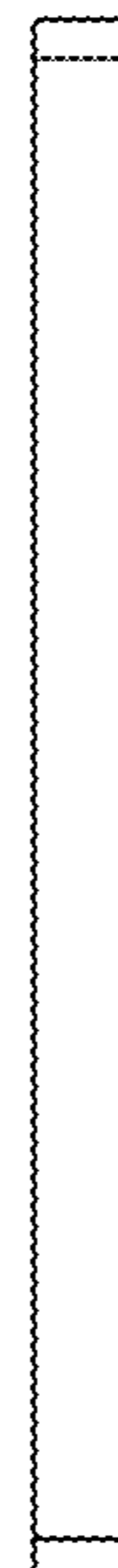


FIG. 32

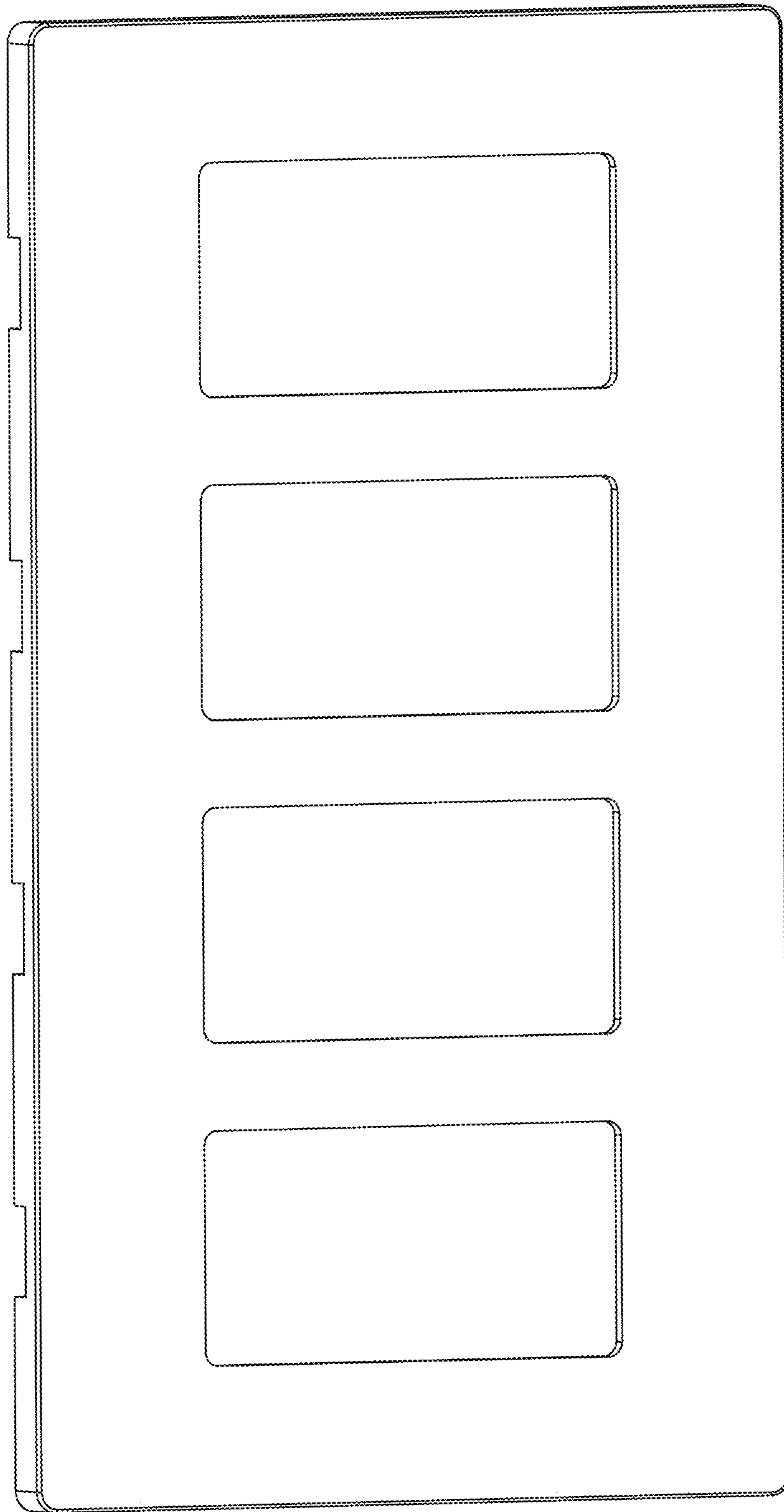


FIG.33

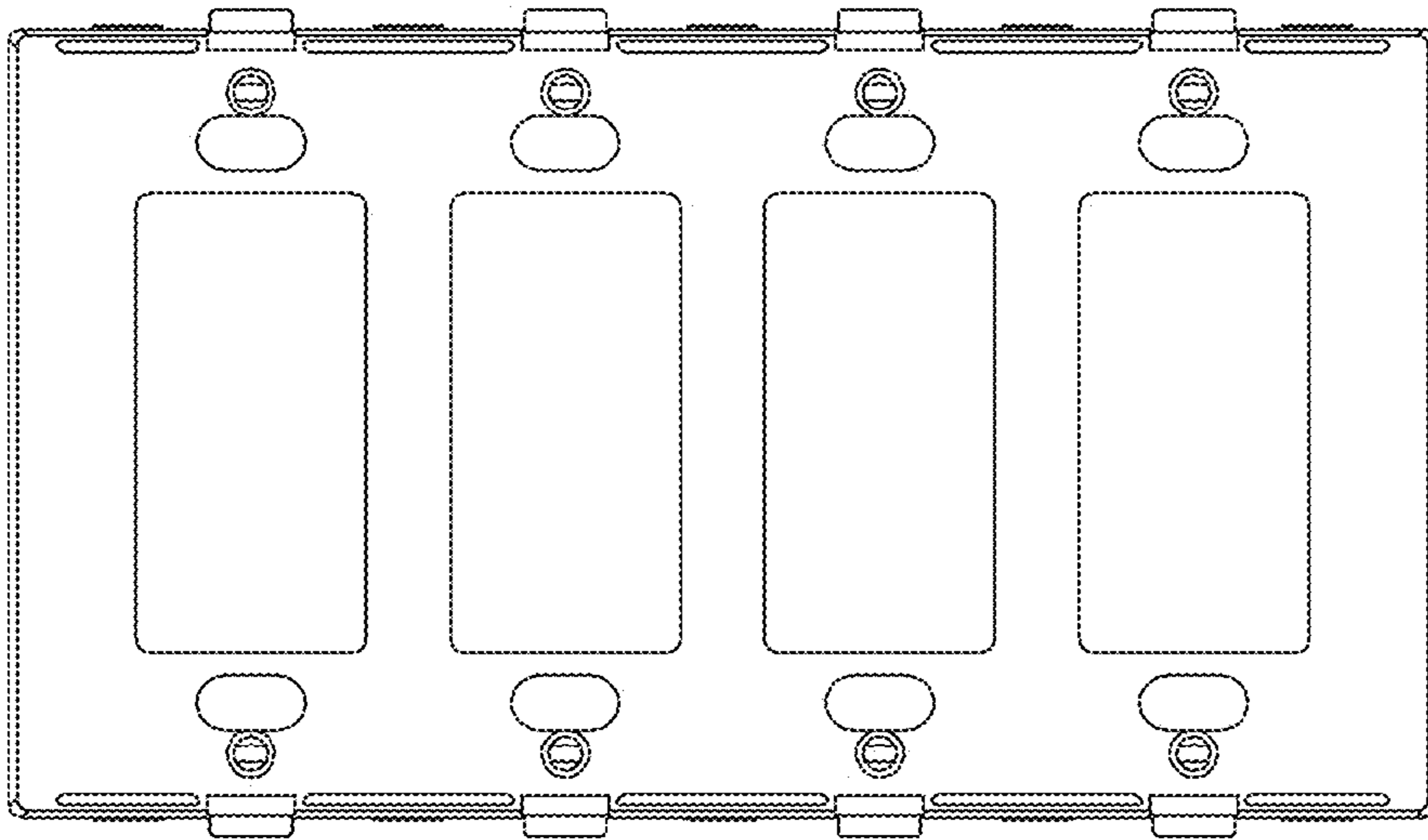


FIG. 34



FIG. 35

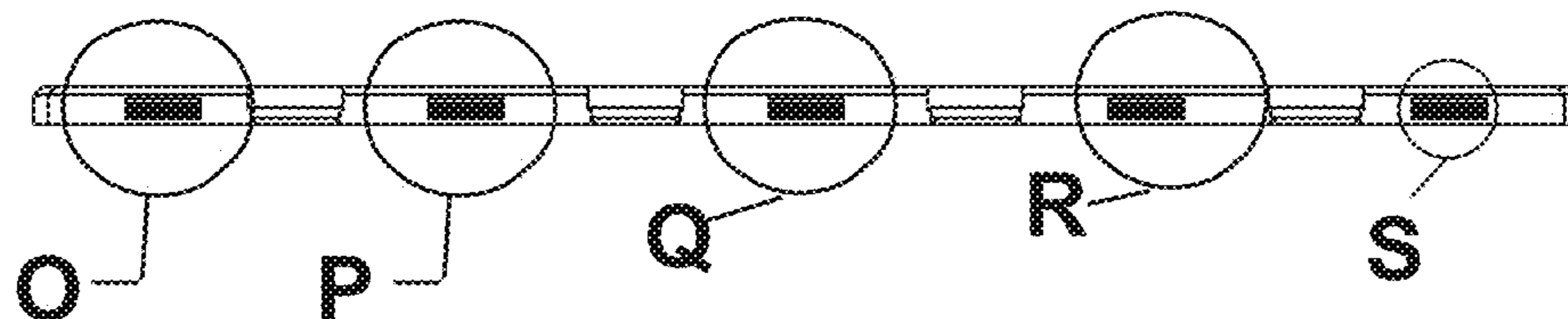
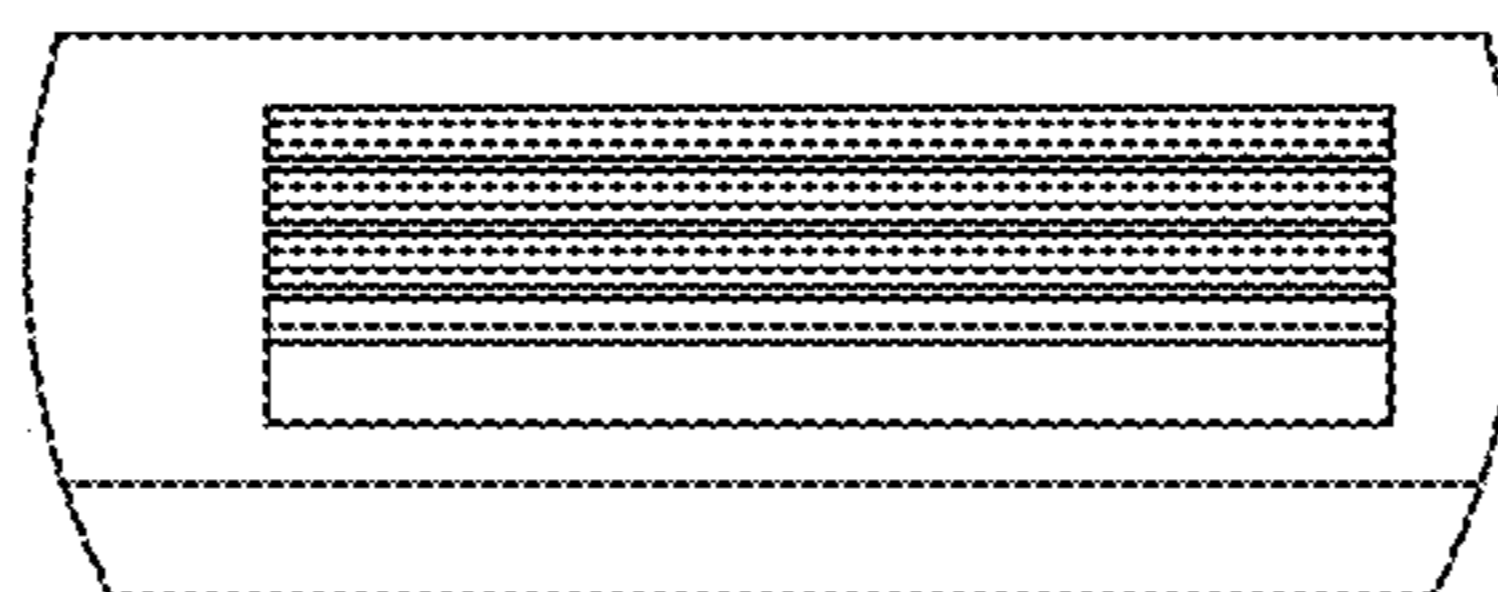


FIG. 36

O



P

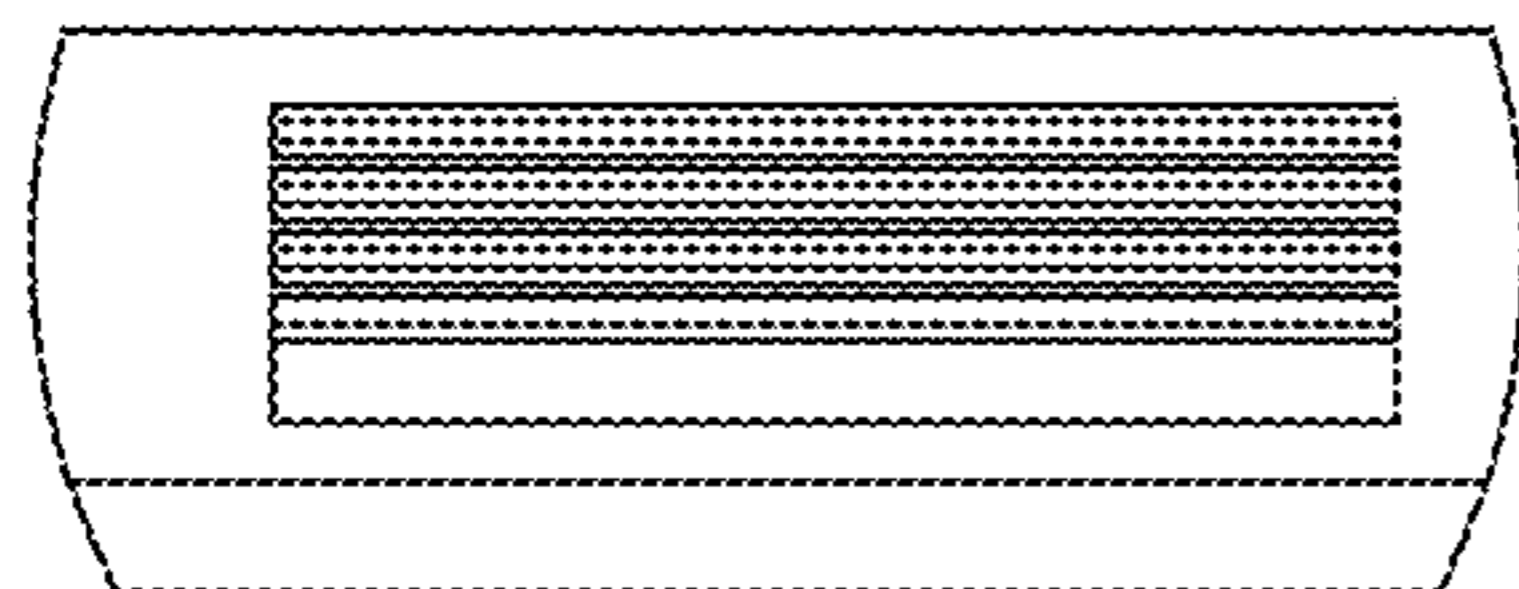


FIG. 58A

Q

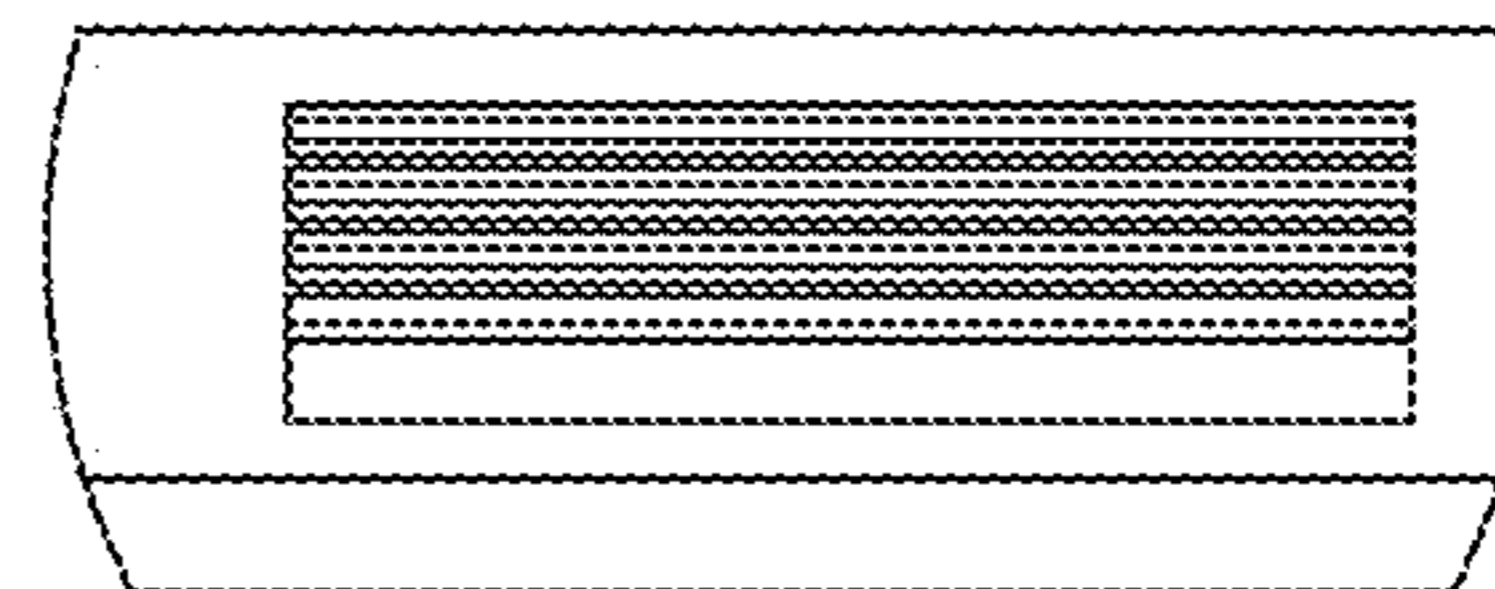
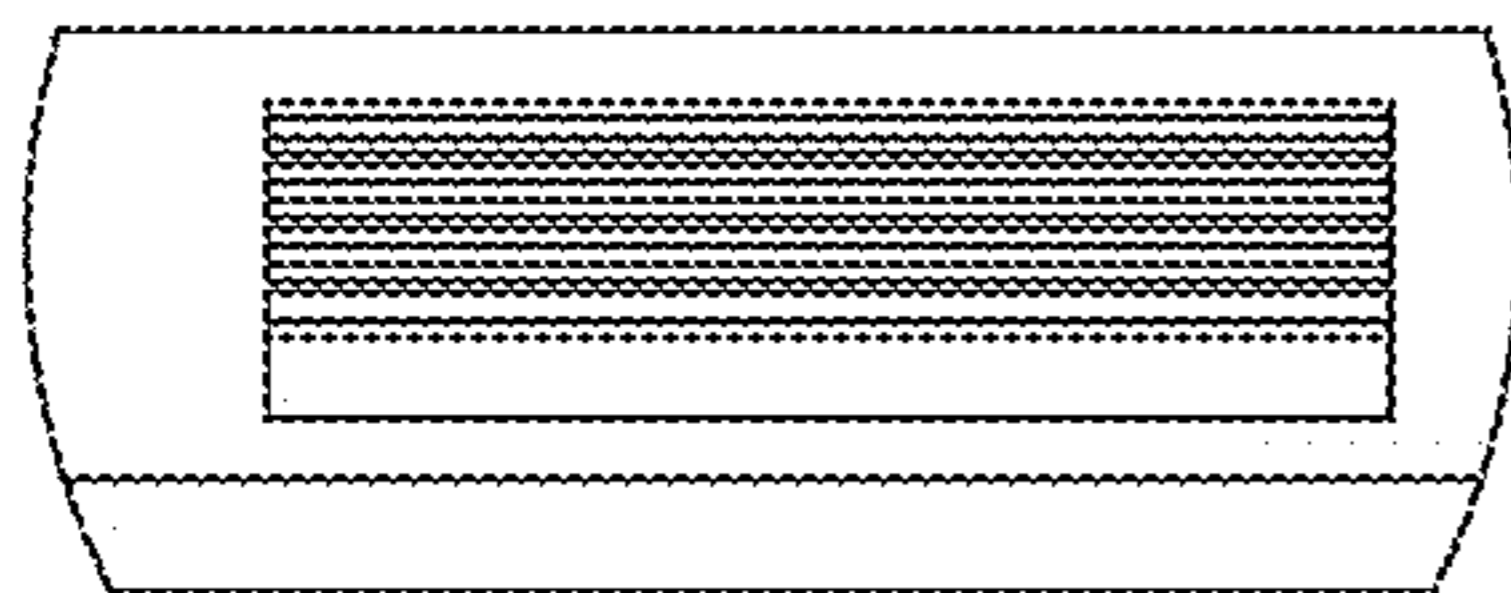


FIG. 58B

FIG. 58C

R



S

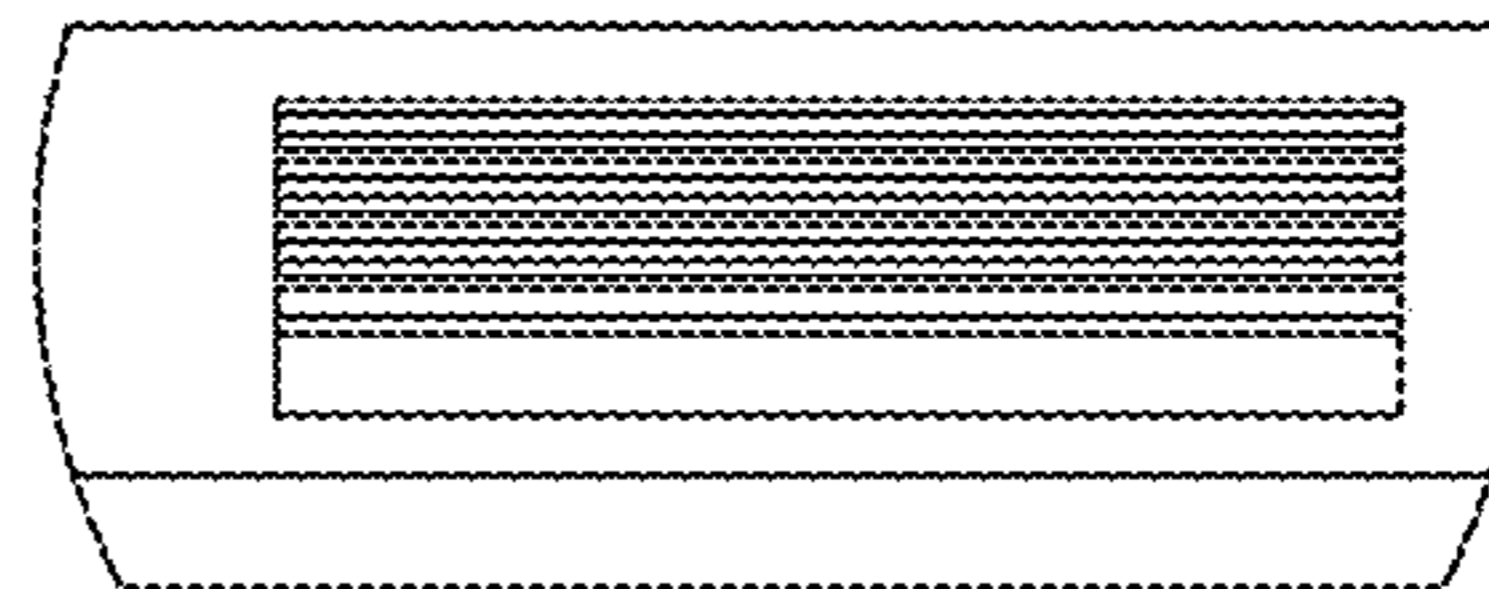


FIG. 58D

FIG. 58E

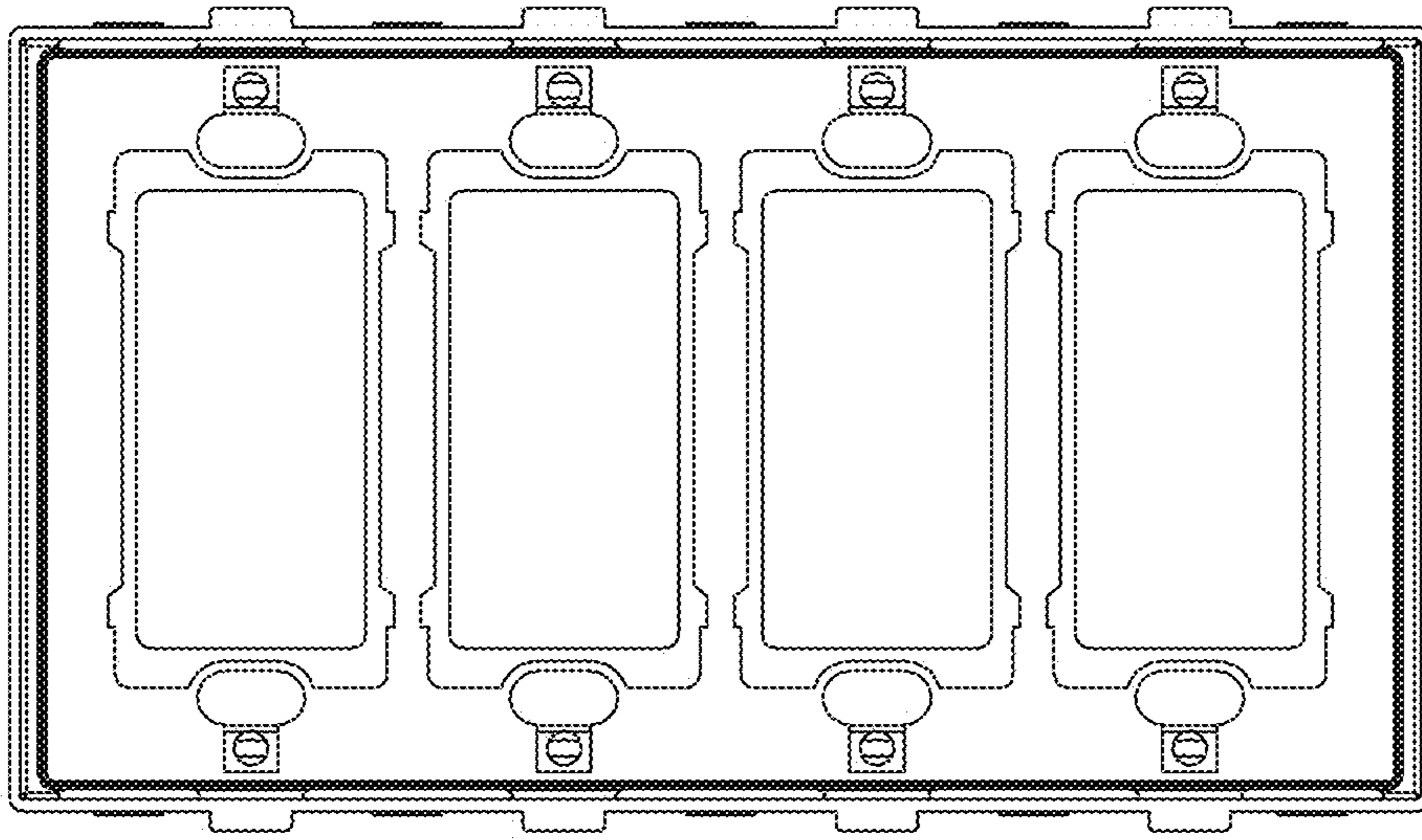


FIG.37

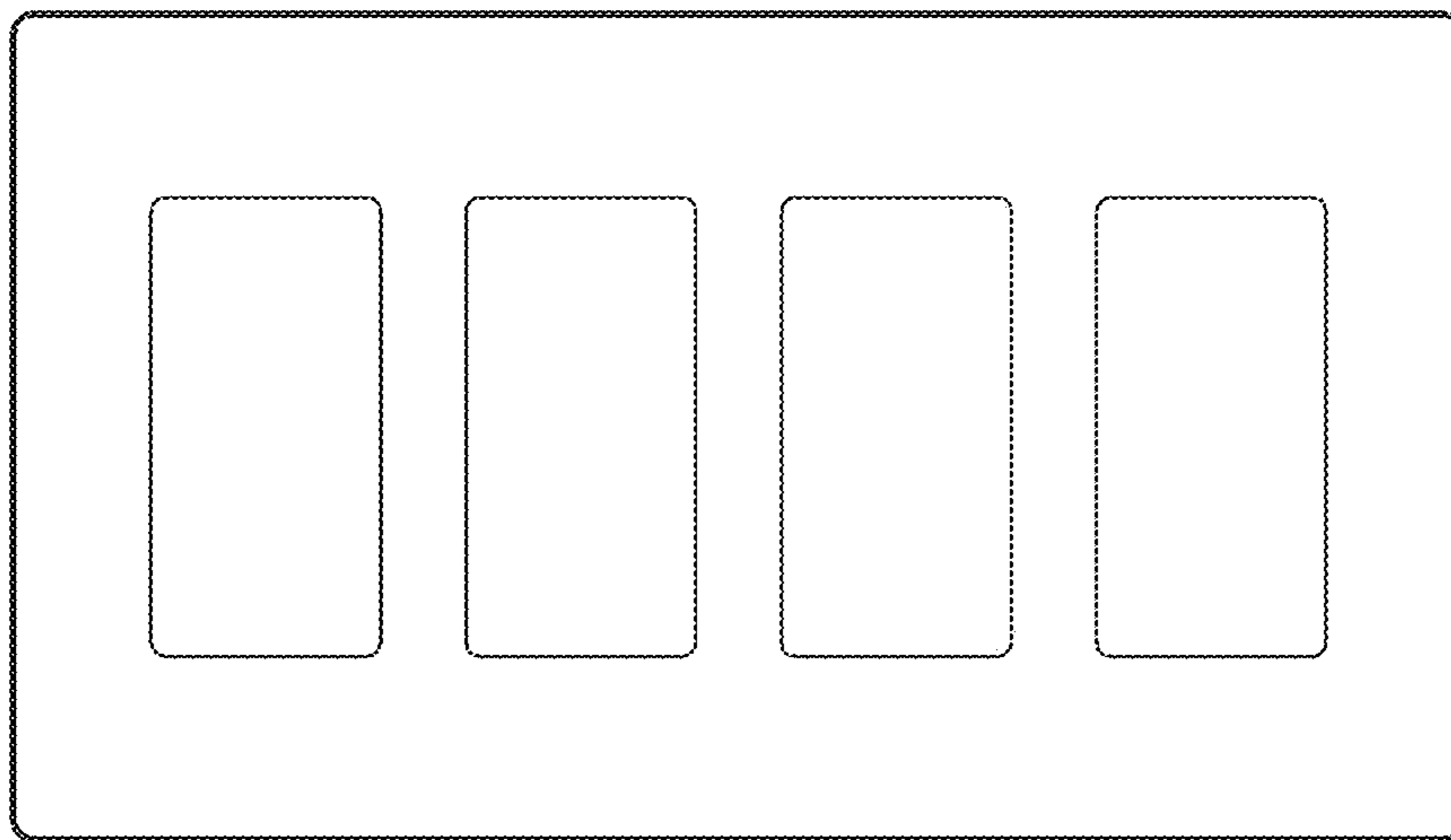


FIG.38

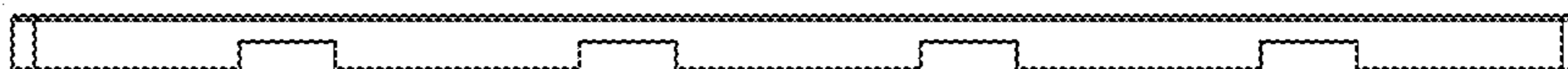


FIG.39

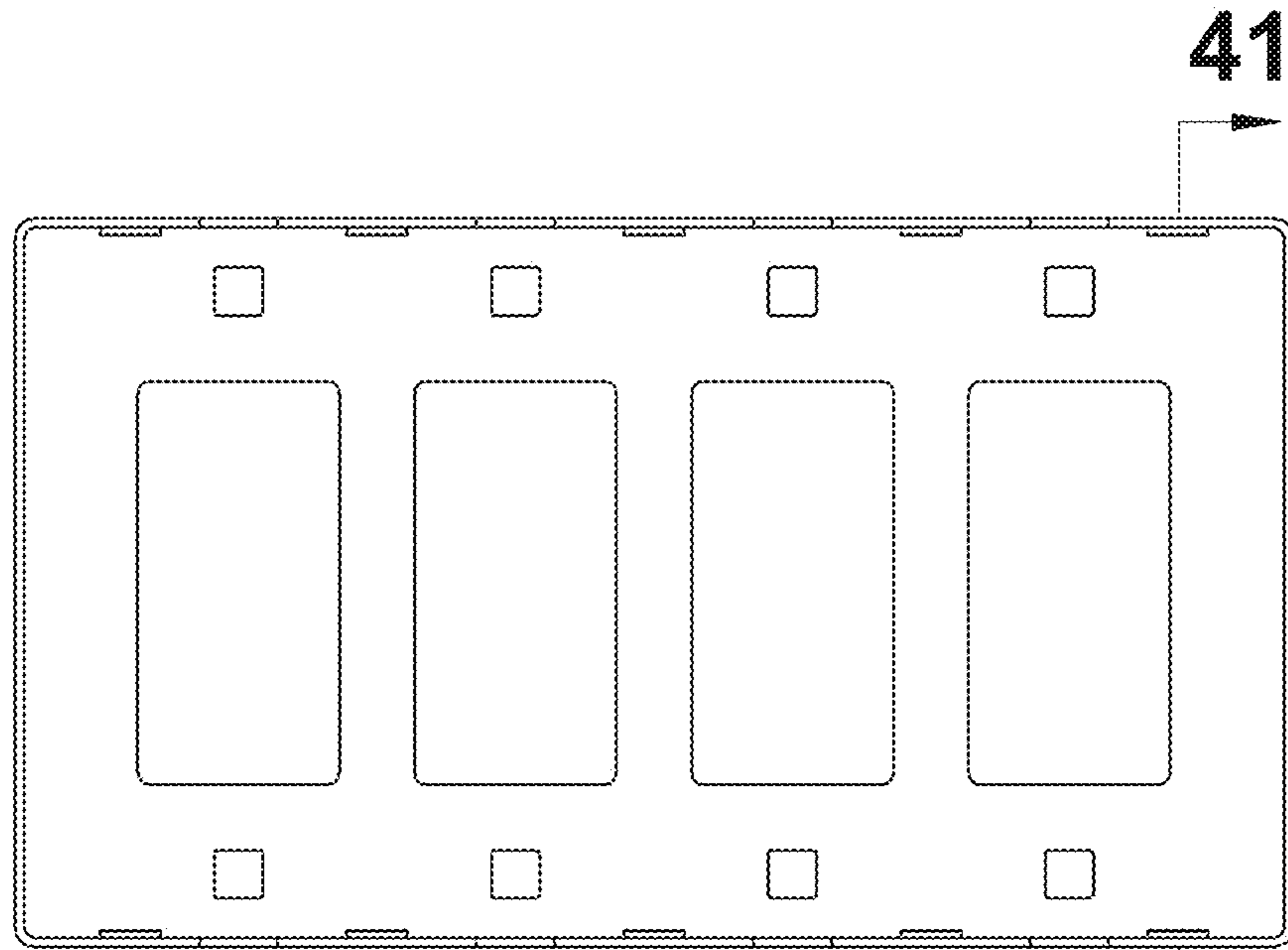


FIG. 40



FIG. 41



FIG. 42

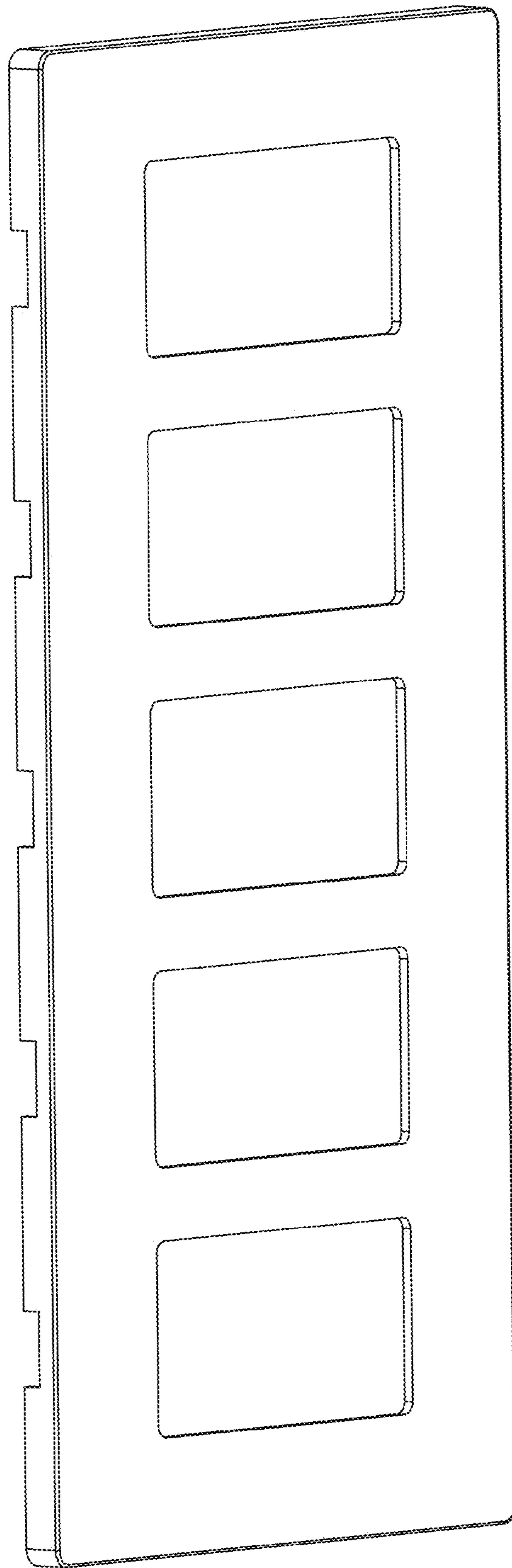


FIG.43

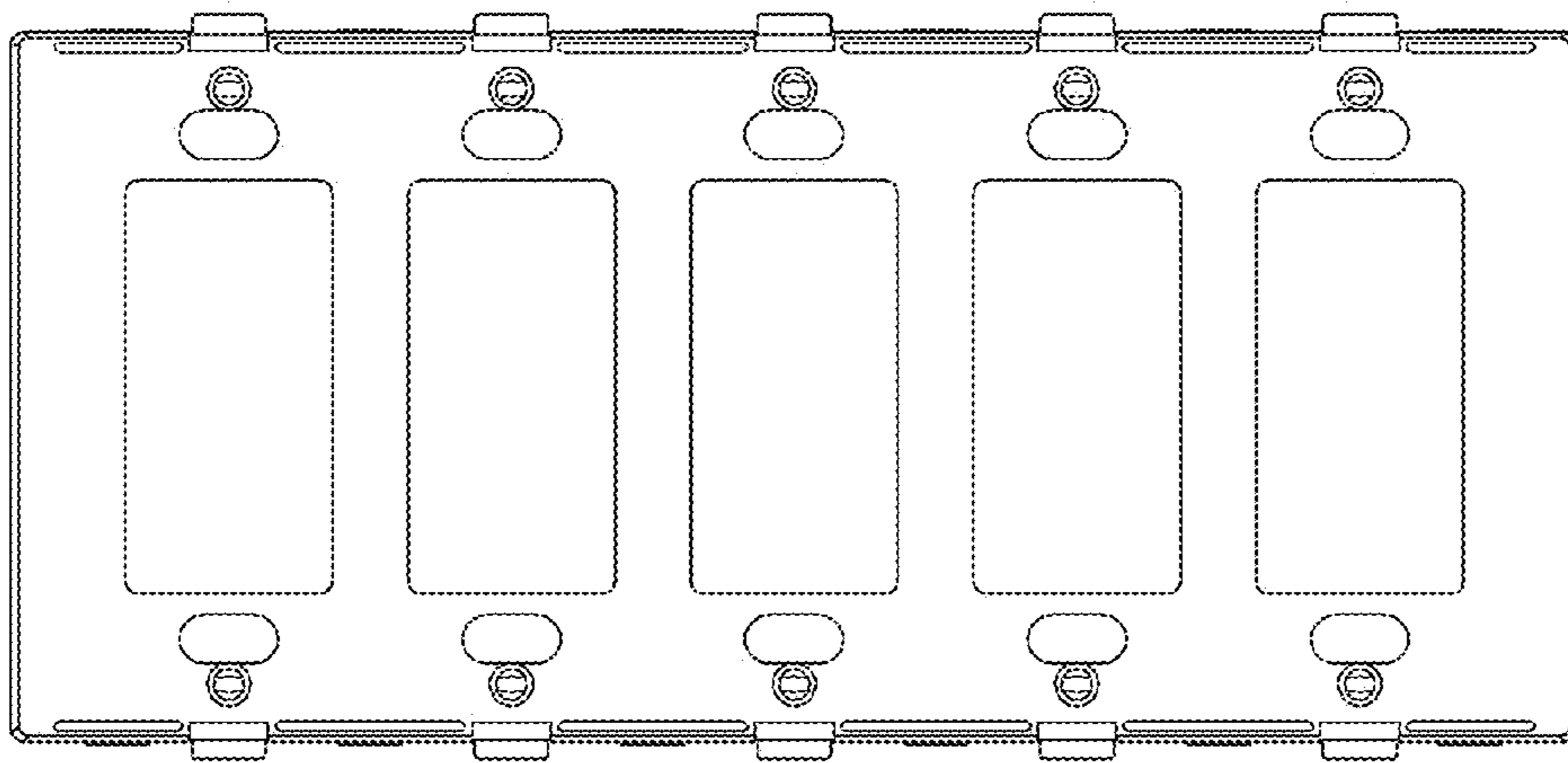


FIG.44



FIG.45

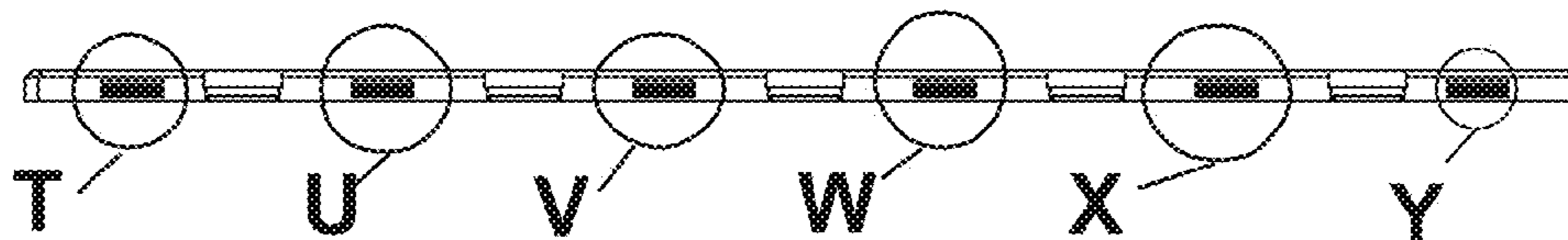


FIG. 46

T

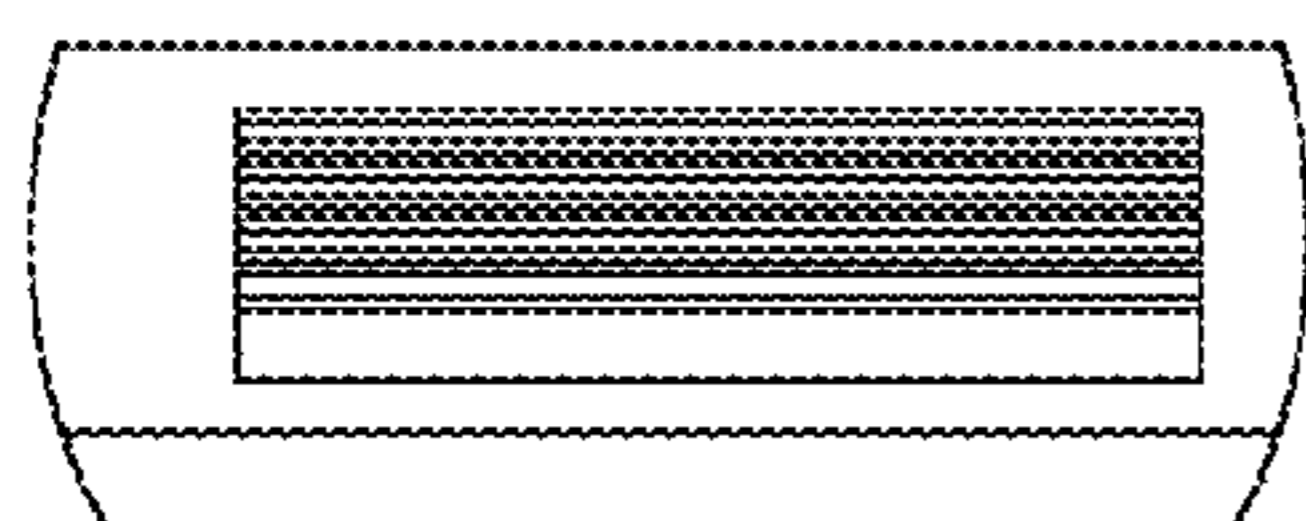


FIG. 59A

U

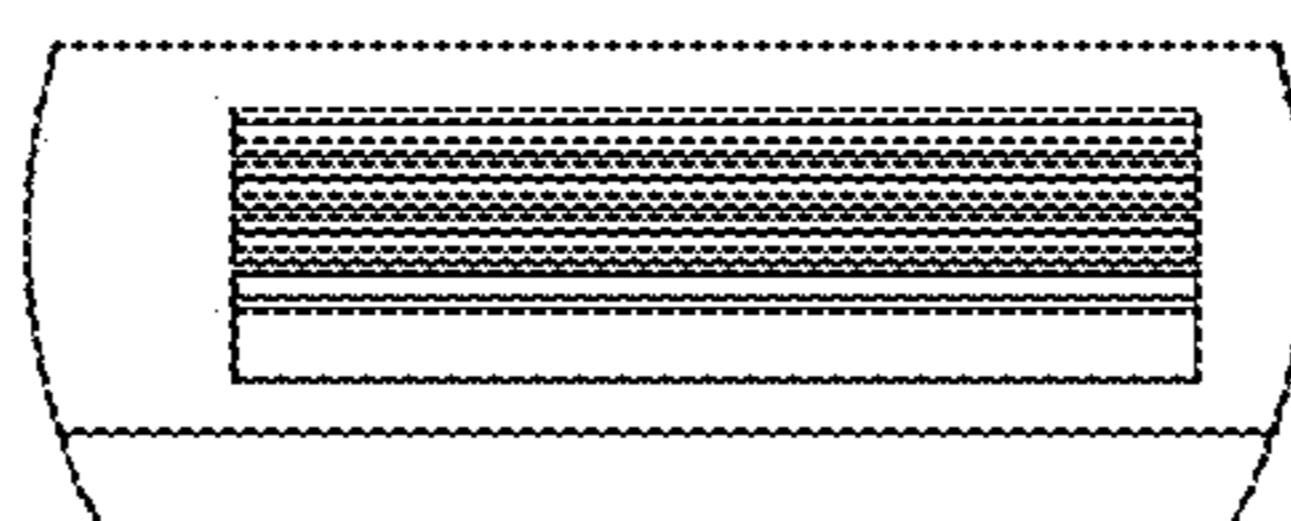


FIG. 59B

V

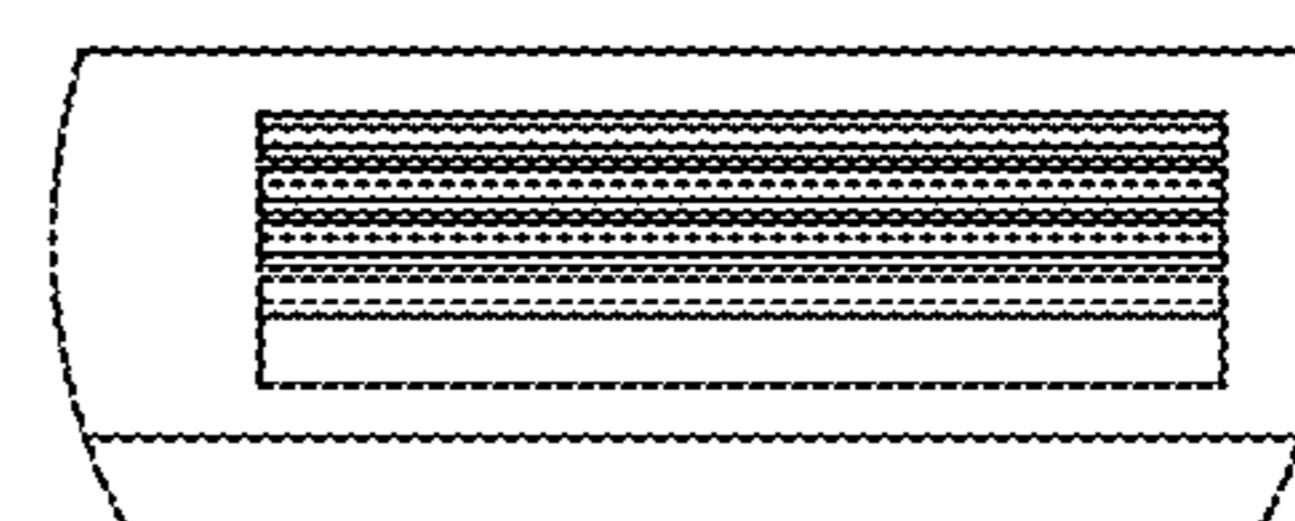


FIG. 59C

W

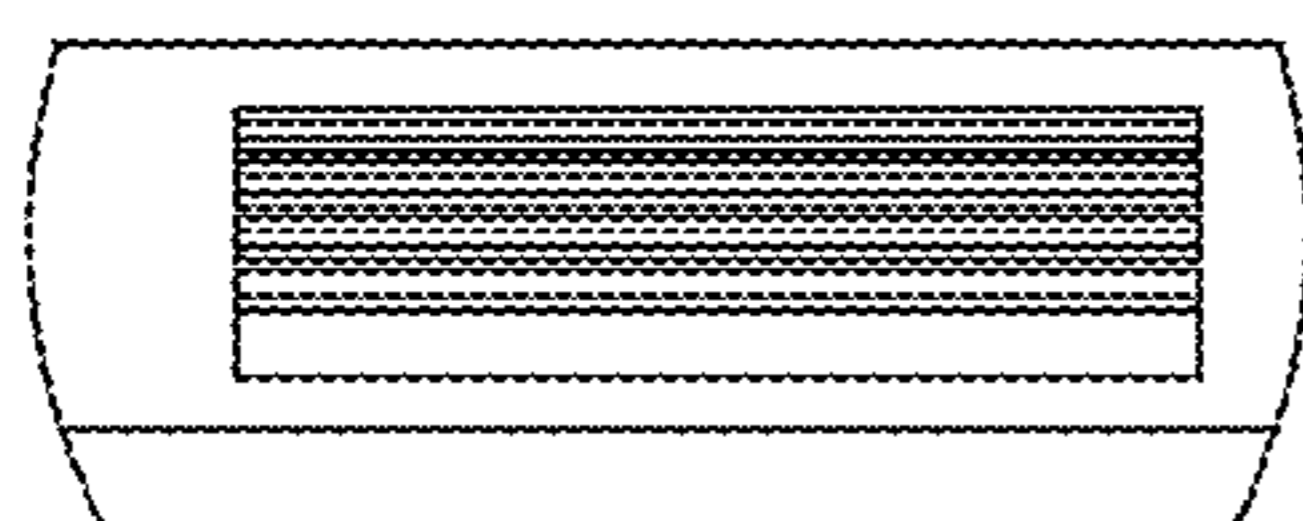


FIG. 59D

X

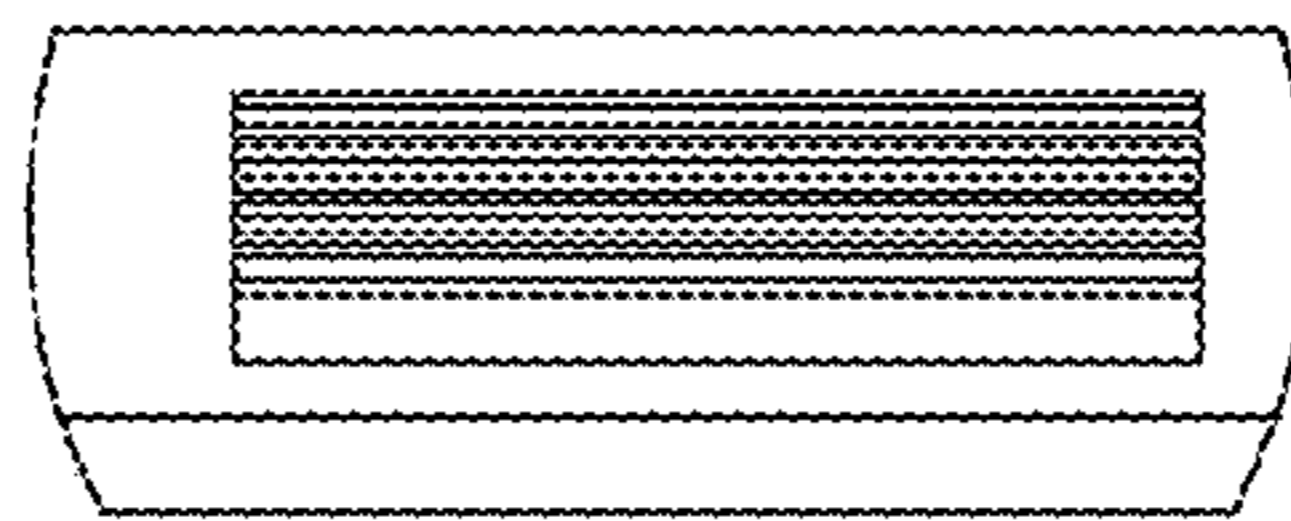


FIG. 59E

Y

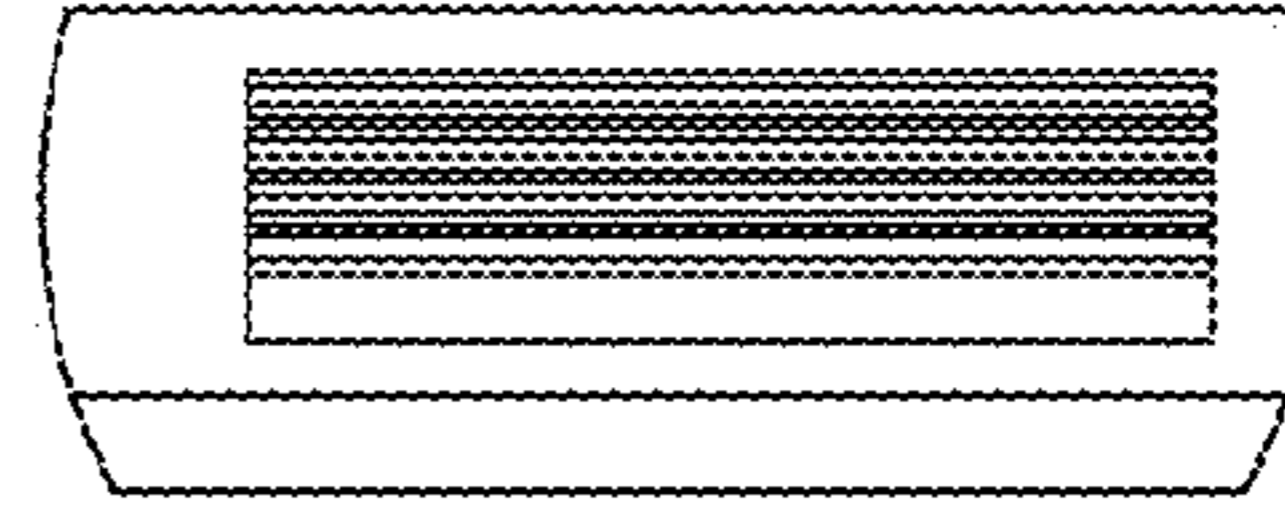


FIG. 59F

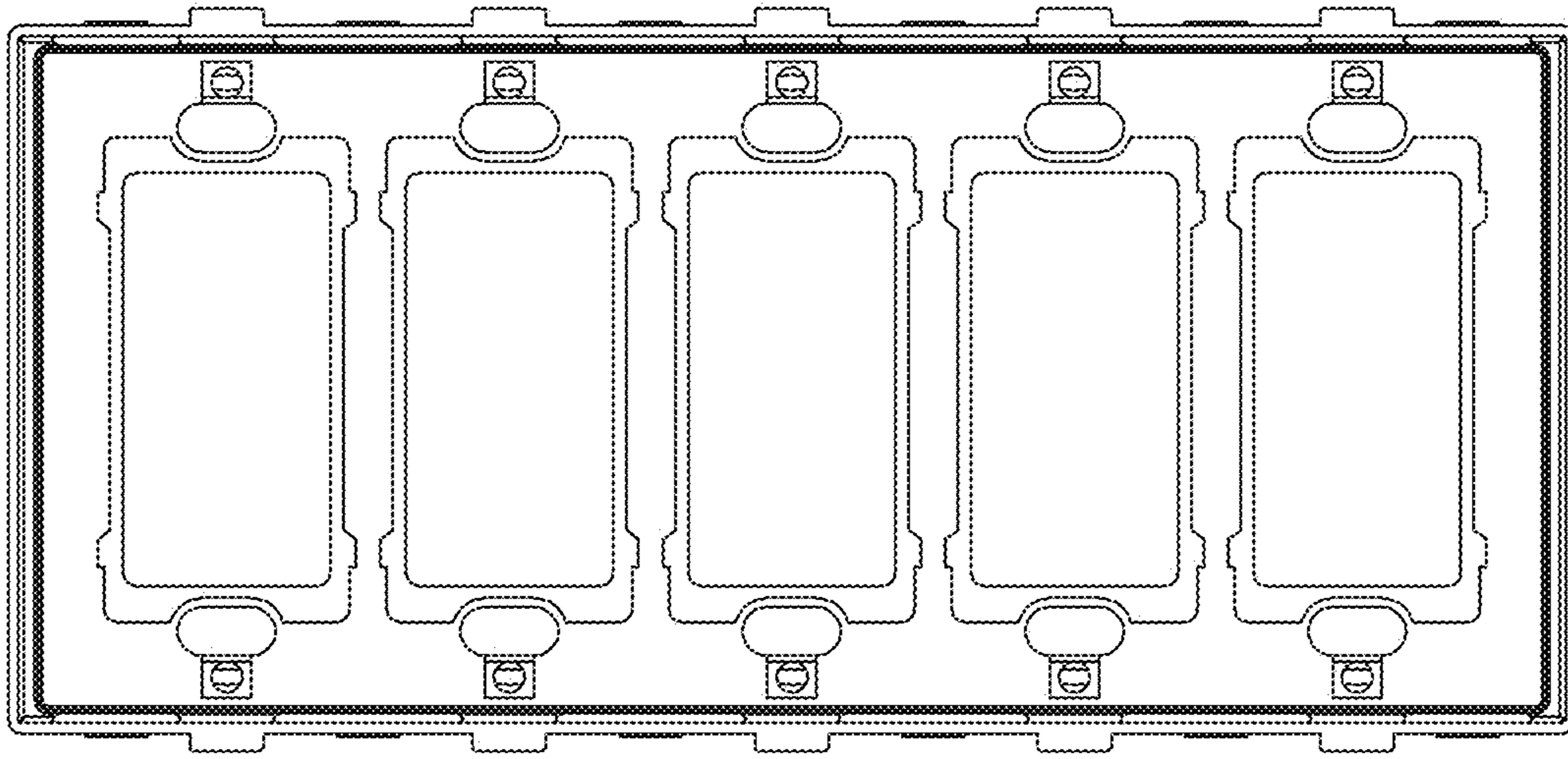


FIG.47

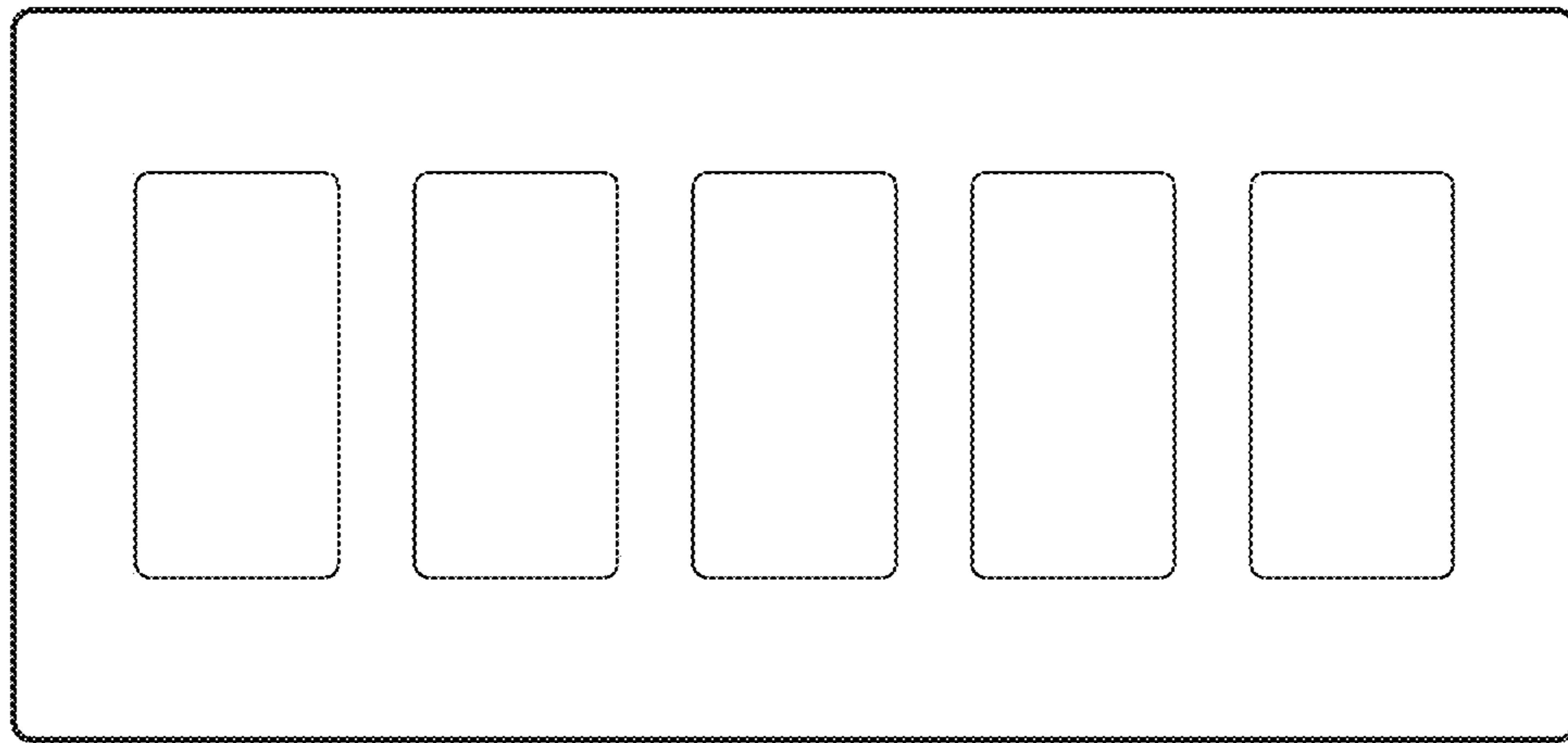


FIG.48

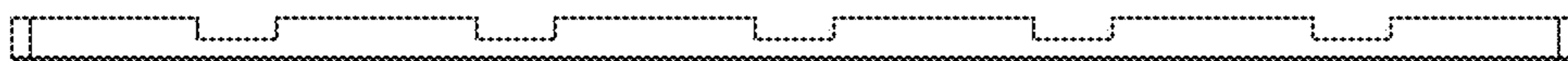


FIG.49

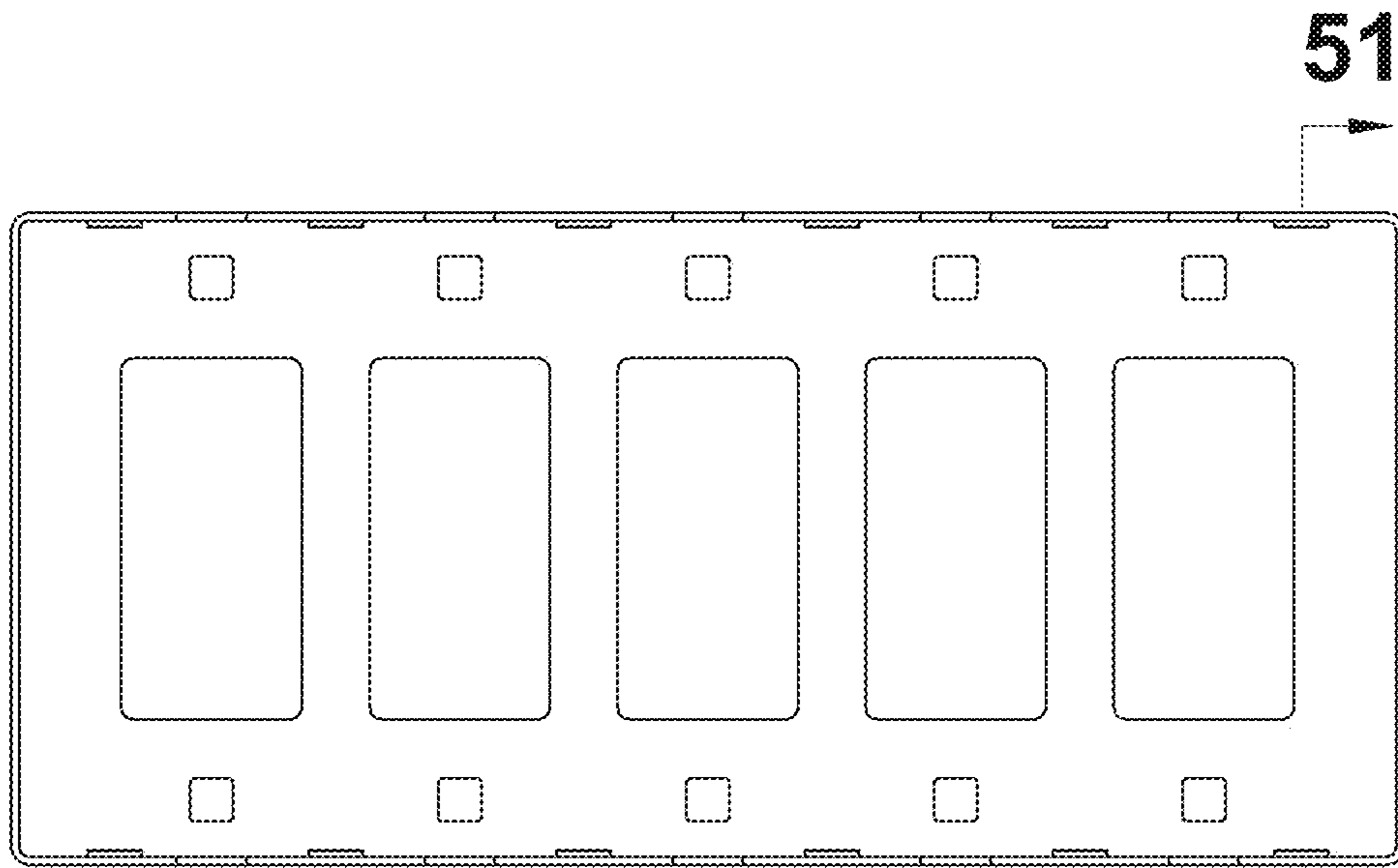


FIG. 50

51

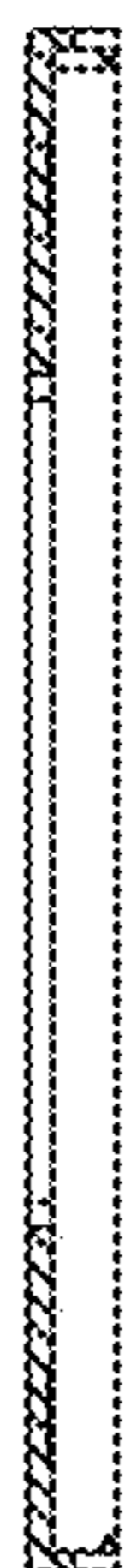


FIG. 51

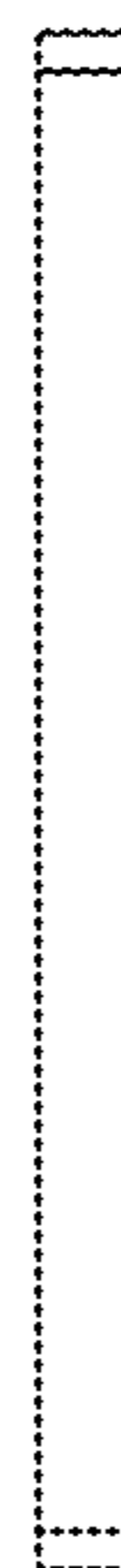


FIG. 52