

US00D932872S

(12) **United States Design Patent** (10) **Patent No.:** **US D932,872 S**  
**O’Connell et al.** (45) **Date of Patent:** **\*\* Oct. 12, 2021**

(54) **SECURITY LOCK DEVICE**  
(71) Applicants: **Ciarán O’Connell**, Dublin (IE); **Brian Reilly**, Cavan (IE)  
(72) Inventors: **Ciarán O’Connell**, Dublin (IE); **Brian Reilly**, Cavan (IE)  
(\*\*) Term: **15 Years**  
(21) Appl. No.: **29/618,503**  
(22) Filed: **Sep. 21, 2017**  
(30) **Foreign Application Priority Data**

Mar. 28, 2017 (EM) ..... 003827344

(51) **LOC (13) Cl.** ..... **08-07**  
(52) **U.S. Cl.**  
USPC ..... **D8/339**  
(58) **Field of Classification Search**  
USPC ..... D8/327, 328, 329, 330, 336, 353, 339;  
D23/303; 4/236, 240; 16/225, 250, 682,  
16/309, 235, 275, 244, 379, 390, 430,  
16/241, 238, 245, 236, 243, 242, 385  
CPC ..... E05D 7/0009; E05D 7/081; E05D 7/00;  
Y10T 16/304; Y10T 16/2771; Y10T  
16/5386; Y10T 16/53862; Y10T  
16/538633; Y10T 16/53888; Y10T  
16/5389; E05F 1/1025  
See application file for complete search history.

(56) **References Cited**  
U.S. PATENT DOCUMENTS

7,210,199 B2 \* 5/2007 Clark ..... E05D 5/06  
16/299  
D649,008 S \* 11/2011 Caffin ..... D8/323  
D673,024 S \* 12/2012 Caffin ..... D8/323

8,549,707 B2 \* 10/2013 Macernis ..... E05F 1/1215  
16/298  
8,683,654 B2 \* 4/2014 Chen ..... E05D 11/087  
16/301  
8,991,009 B1 \* 3/2015 Russo ..... E05F 1/10  
16/285  
9,009,916 B2 \* 4/2015 Nagl ..... E05F 3/20  
16/256  
D744,096 S \* 11/2015 van Dullemen ..... D24/133  
D760,060 S \* 6/2016 Groleski ..... D8/330  
D789,770 S \* 6/2017 Reeb ..... D8/330  
9,803,408 B2 \* 10/2017 Timothy ..... E05F 1/1207  
2012/0005861 A1 \* 1/2012 Homner ..... E05F 1/1215  
16/308  
2018/0245373 A1 \* 8/2018 Lacy ..... E05B 65/108  
2018/0245374 A1 \* 8/2018 Arlinghaus ..... E05B 65/108  
2018/0245375 A1 \* 8/2018 Arlinghaus ..... E05B 65/108

\* cited by examiner

*Primary Examiner* — Manpreet S Matharu  
*Assistant Examiner* — Yolanda Robinson  
(74) *Attorney, Agent, or Firm* — Tarolli, Sundheim,  
Covell & Tummino LLP; John A. Yirga, Esq.

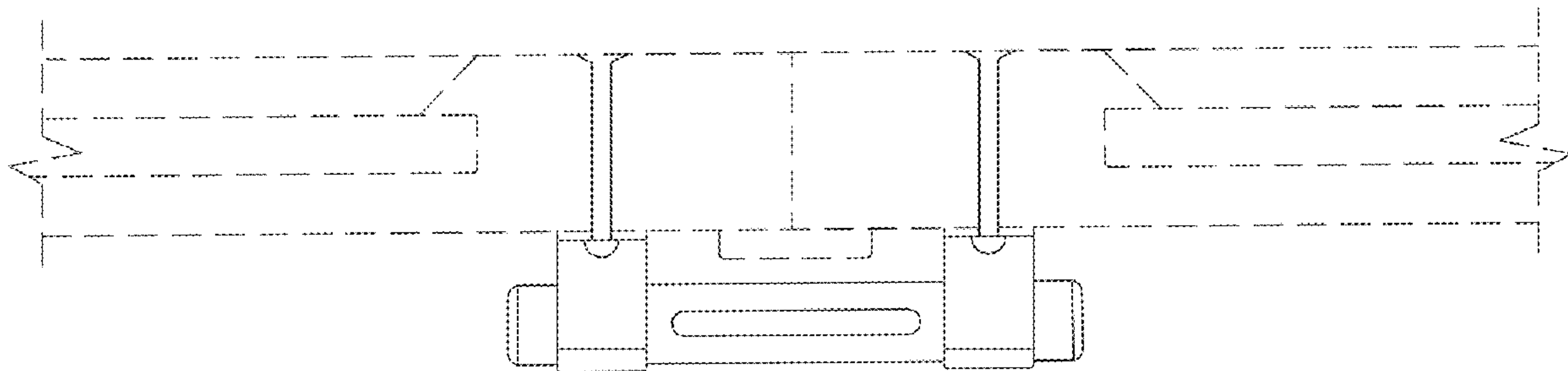
(57) **CLAIM**

The ornamental design for a security lock device, as shown and described.

**DESCRIPTION**

FIG. 1 is a top plan view of a security lock device showing the ornamental design of the present disclosure;  
FIG. 2 is a bottom plan view thereof;  
FIG. 3 is a right side elevation view thereof, the left side elevation view being a mirror image;  
FIG. 4 is a front elevation view thereof;  
FIG. 5 is a first perspective, view thereof; and,  
FIG. 6 is a second perspective view thereof.  
The broken lines shown illustrate the environment of the claimed design and form no part thereof.

**1 Claim, 6 Drawing Sheets**



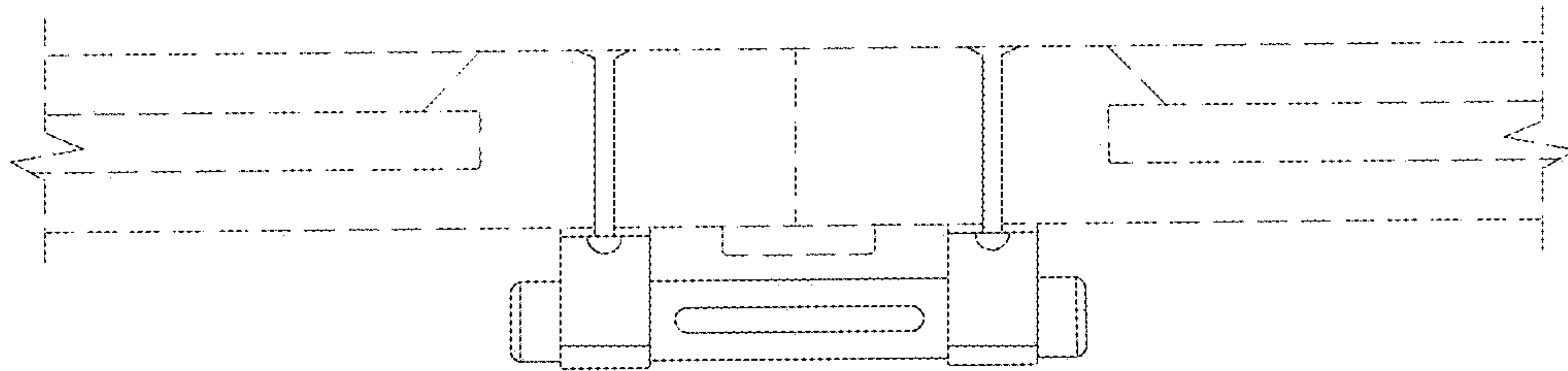


FIG. 1

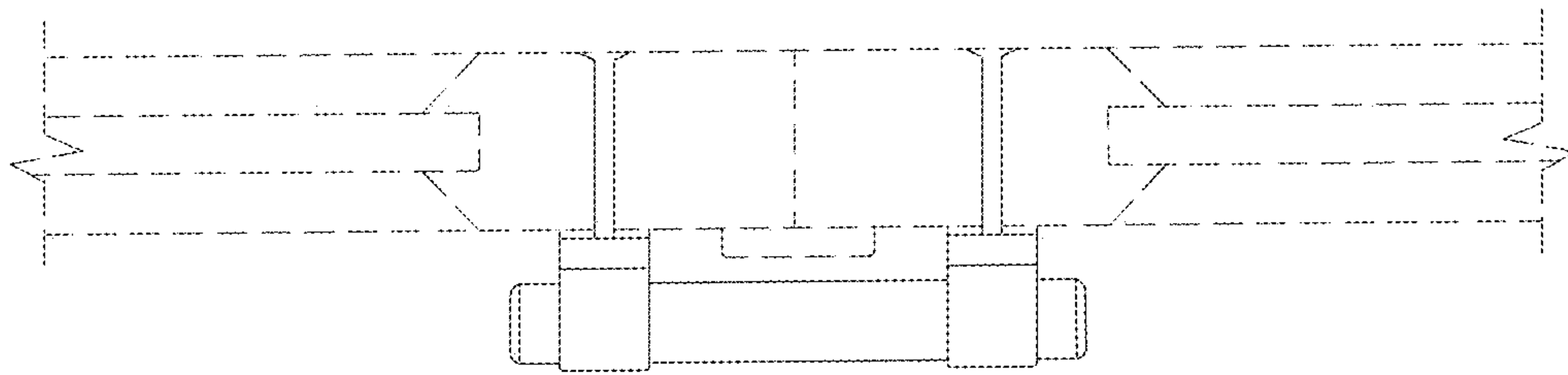


FIG. 2

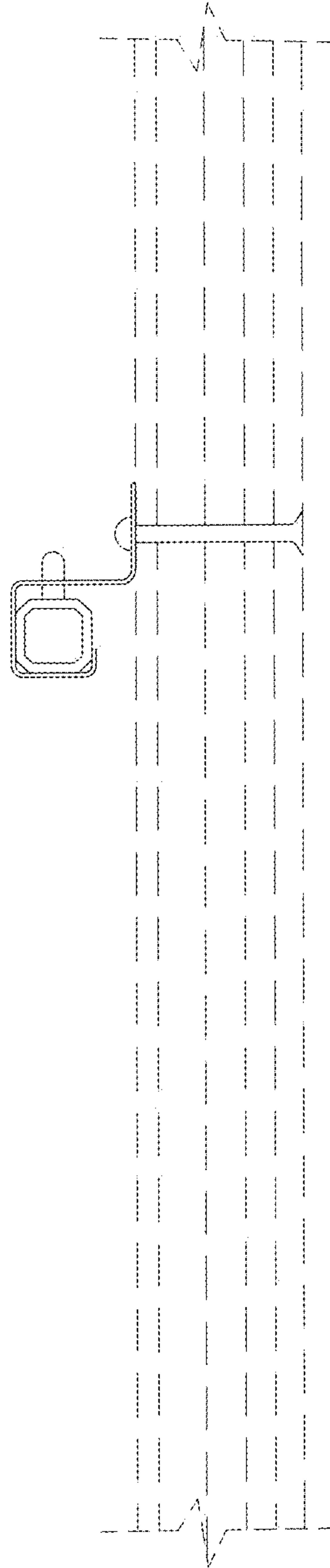


FIG. 3

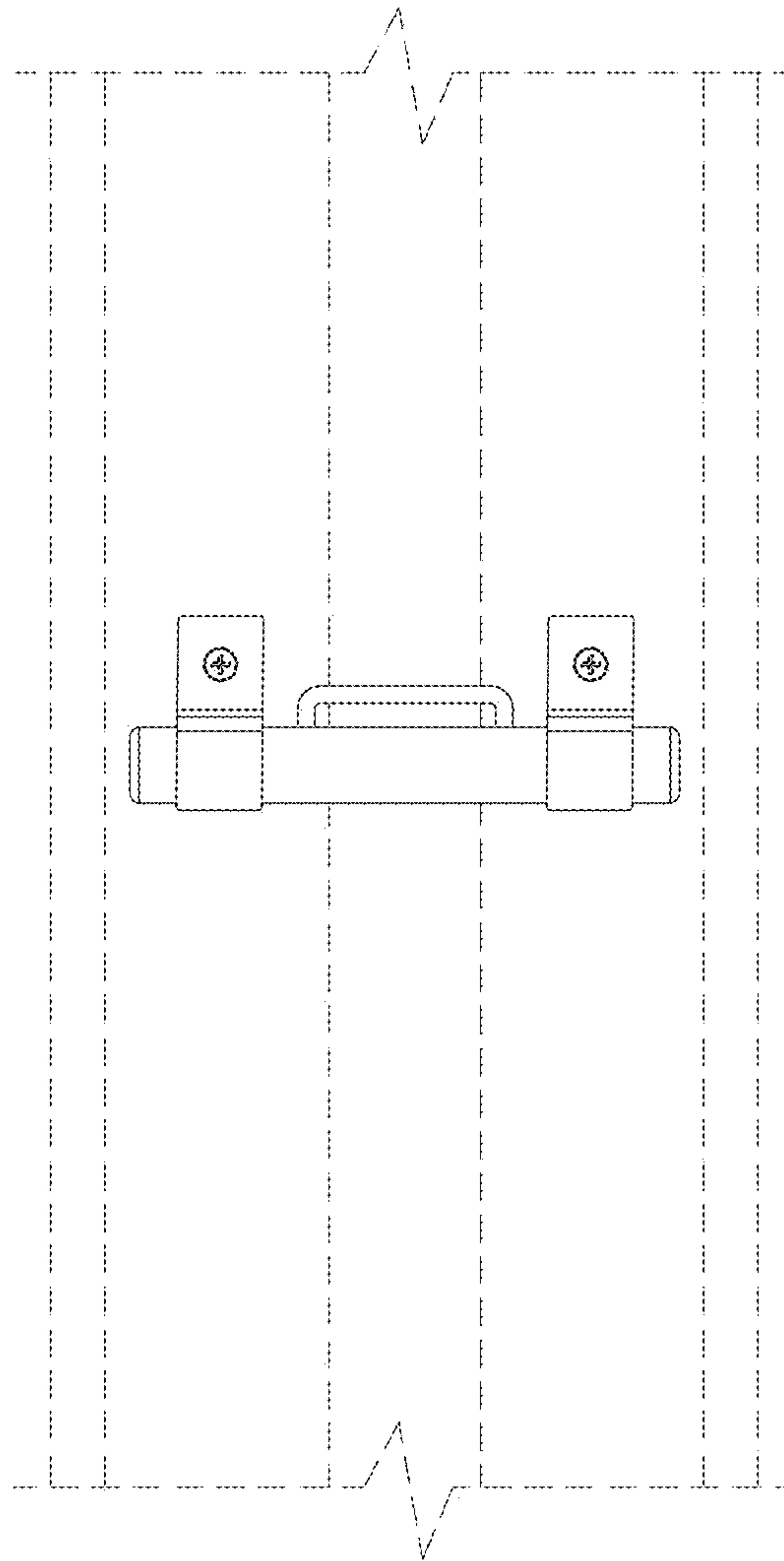


FIG. 4

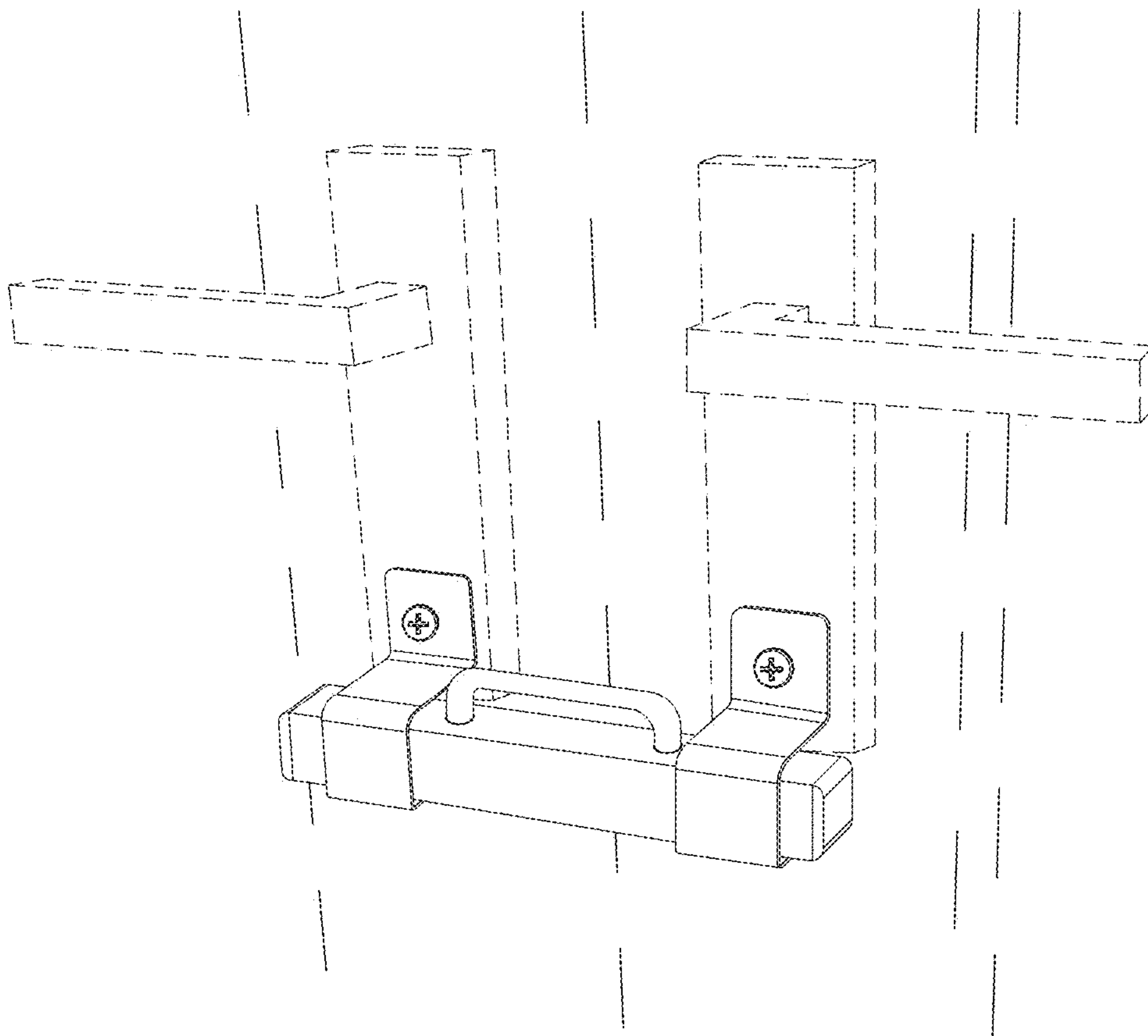


FIG. 5

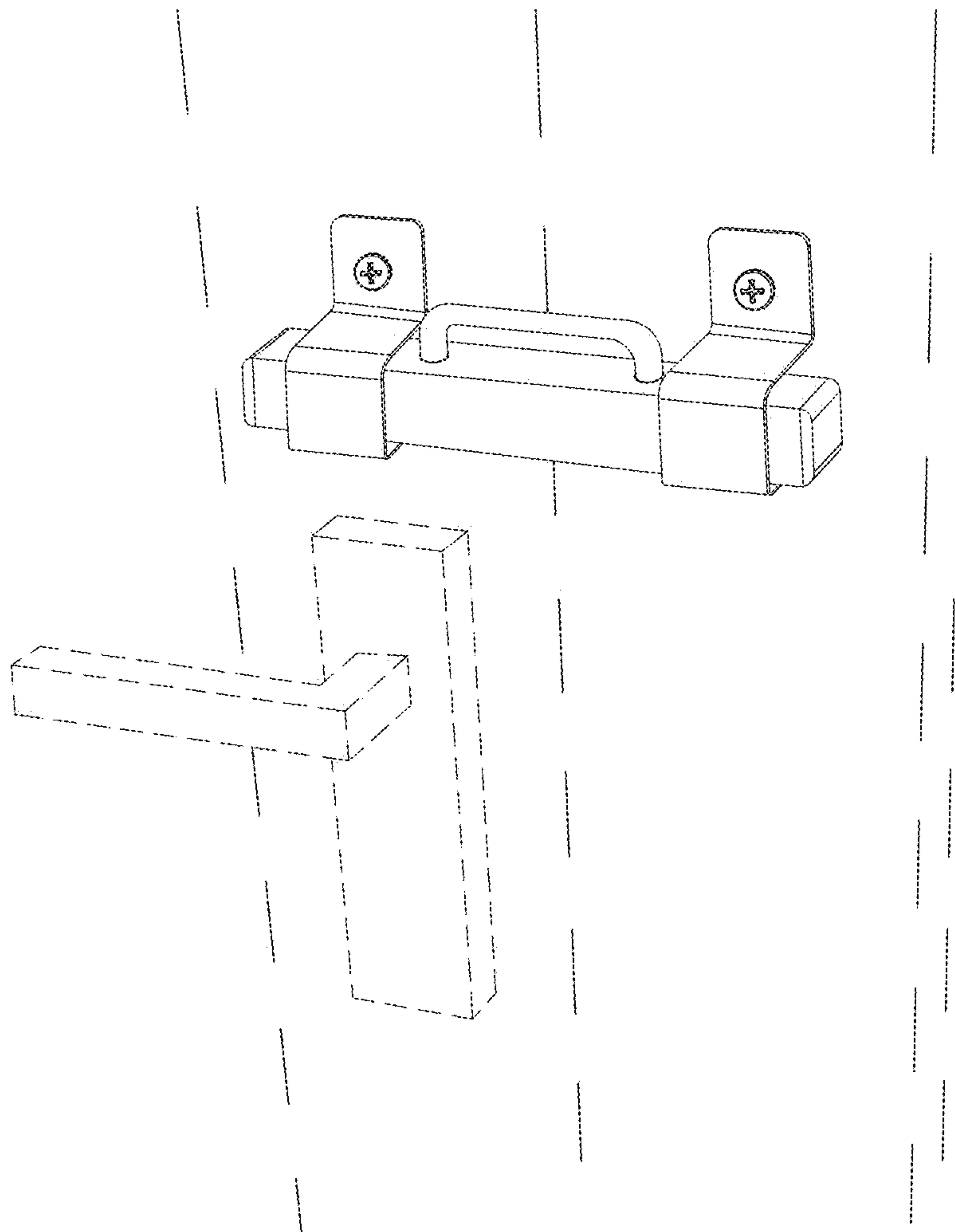


FIG. 6