

US00D932869S

(12) **United States Design Patent**  
**Holzapfel**

(10) **Patent No.:** **US D932,869 S**

(45) **Date of Patent:** **\*\* Oct. 12, 2021**

(54) **FITTING FOR FURNITURE**

(71) Applicant: **Julius Blum GmbH**, Höchst (AT)

(72) Inventor: **Andreas Holzapfel**, Bregenz (AT)

(73) Assignee: **Julius Blum GmbH**, Hoechst (AT)

(\*\*) Term: **15 Years**

(21) Appl. No.: **35/509,338**

(22) Filed: **Nov. 11, 2019**

(80) **Hague Agreement Data**

Int. Filing Date: **Nov. 11, 2019**

Int. Reg. No.: **DM/205080**

Int. Reg. Date: **Nov. 11, 2019**

Int. Reg. Pub. Date: **May 15, 2020**

(30) **Foreign Application Priority Data**

May 16, 2019 (EM) ..... 006473575

(51) **LOC (13) Cl.** ..... **08-09**

(52) **U.S. Cl.**  
USPC ..... **D8/323**

(58) **Field of Classification Search**  
USPC ..... D8/323, 329, 402  
CPC ..... E05Y 2900/20; E05F 1/1058  
See application file for complete search history.

(56) **References Cited**

U.S. PATENT DOCUMENTS

D633,366	S	*	3/2011	Hasegawa	.....	D8/329
D716,129	S	*	10/2014	Kashiwaguma	.....	D8/323
D716,130	S	*	10/2014	Kashiwaguma	.....	D8/323
9,140,289	B2	*	9/2015	Sutterluetti	.....	F16B 35/041
D765,488	S	*	9/2016	Held	.....	D8/323
10,407,962	B2	*	9/2019	Schluge	.....	E05F 5/02
10,508,673	B2	*	12/2019	Haemmerle	.....	A47B 88/463
2020/0256101	A1	*	8/2020	Holzapfel	.....	E05D 7/0407

\* cited by examiner

*Primary Examiner* — Deanna L Pratt

(74) *Attorney, Agent, or Firm* — Wenderoth, Lind & Ponack, L.L.P.

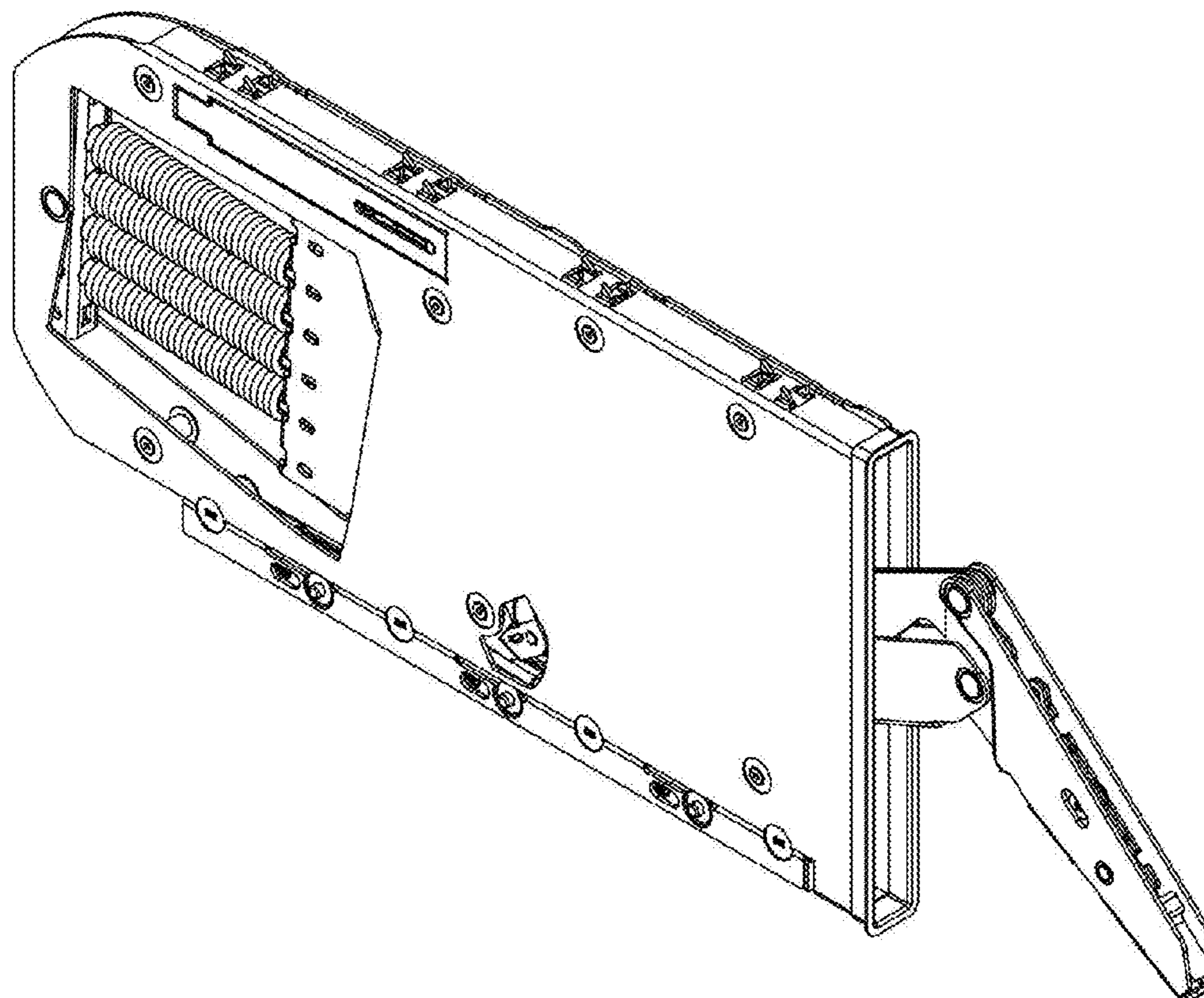
(57) **CLAIM**

The ornamental design for a fitting for furniture, as shown and described.

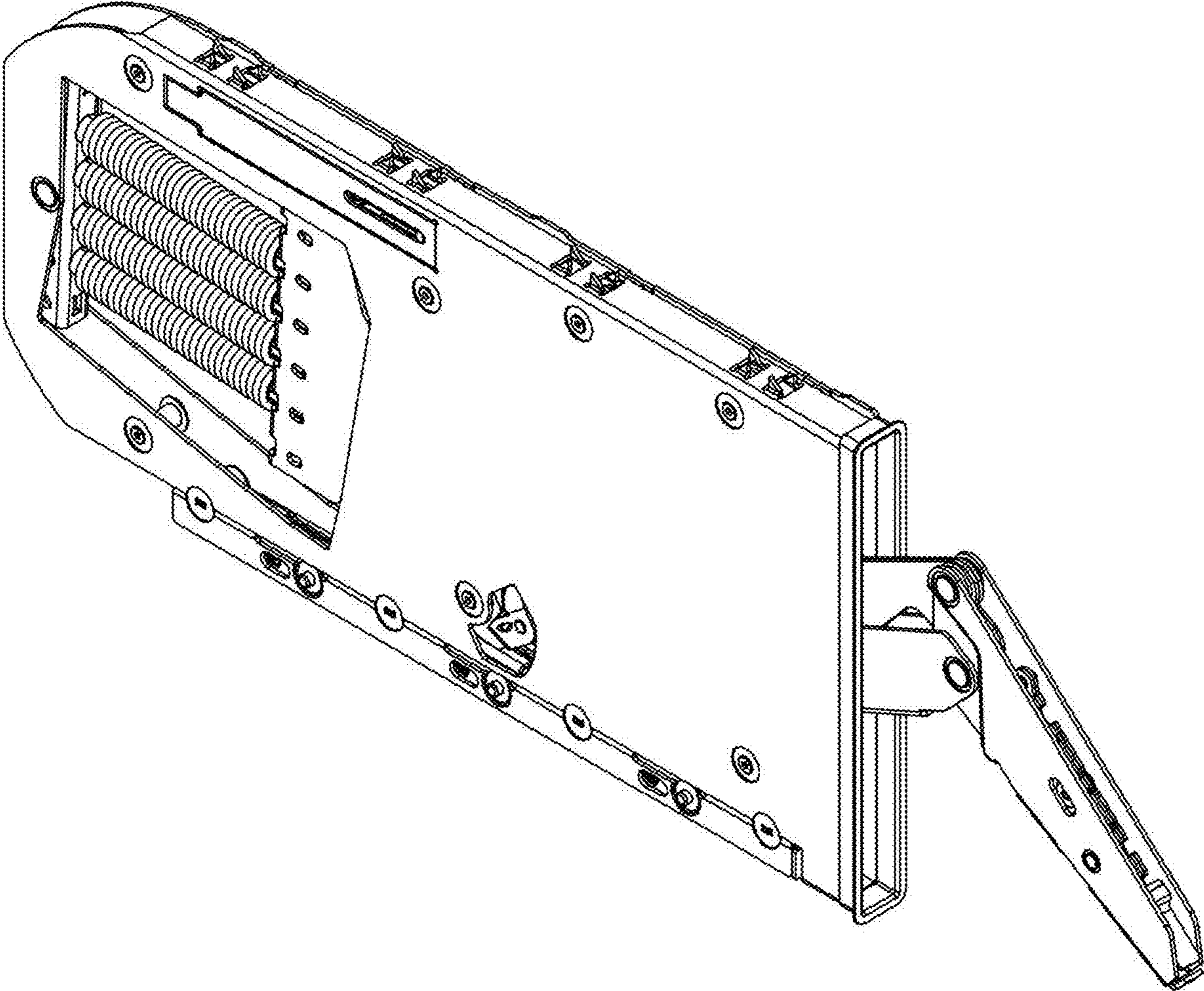
**DESCRIPTION**

- 1. Fitting for furniture
- 1.1: Perspective
- 1.2: Side
- 1.3: Side
- 1.4: Top
- 1.5: Bottom
- 1.6: Front
- 1.7: Rear

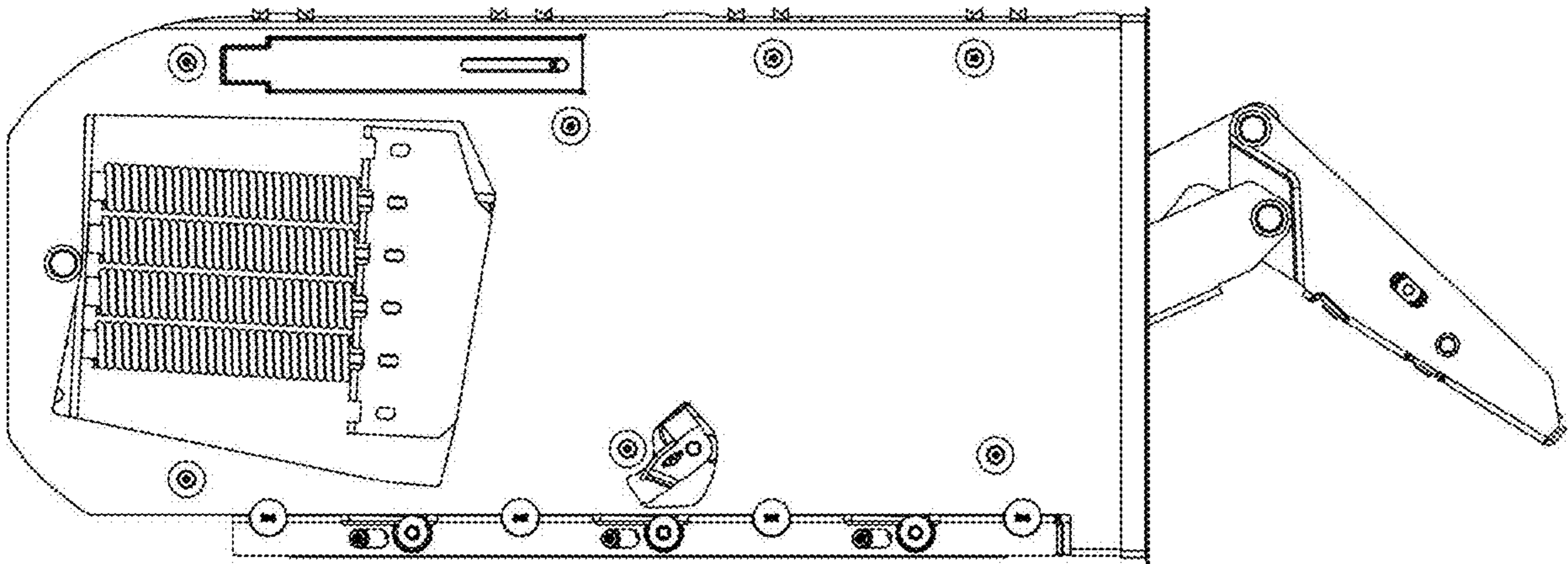
**1 Claim, 7 Drawing Sheets**



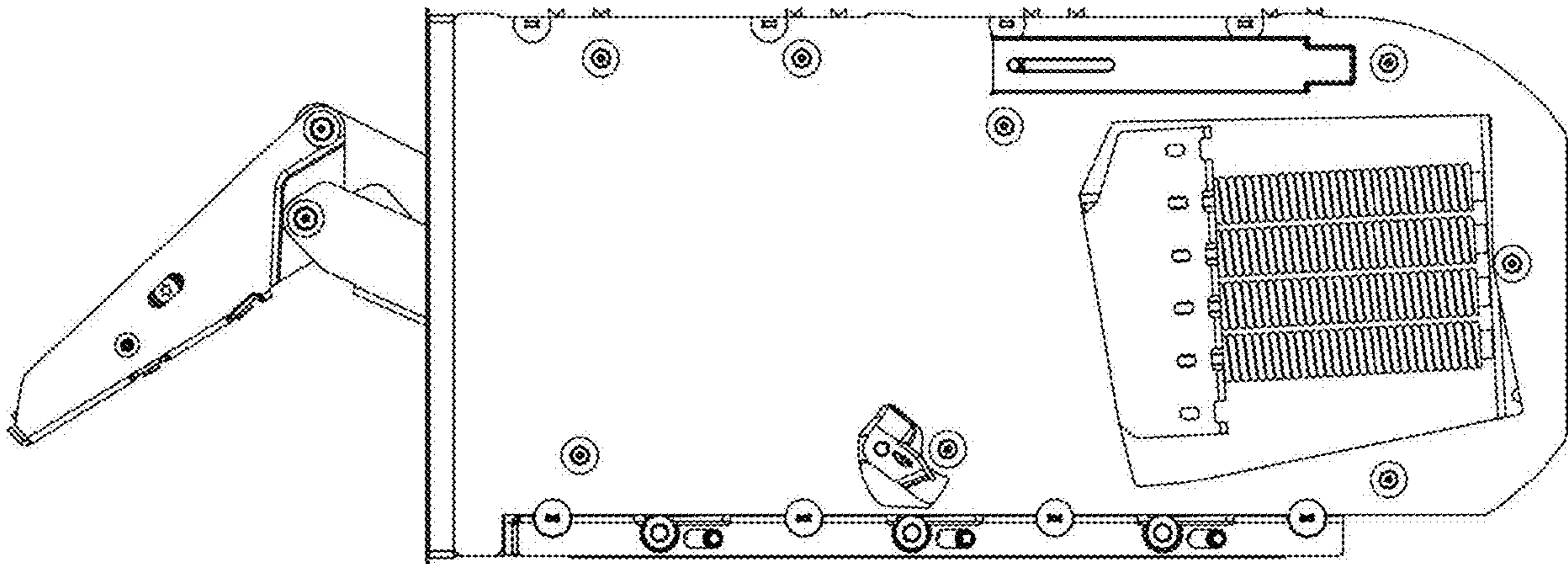
1.1



1.2

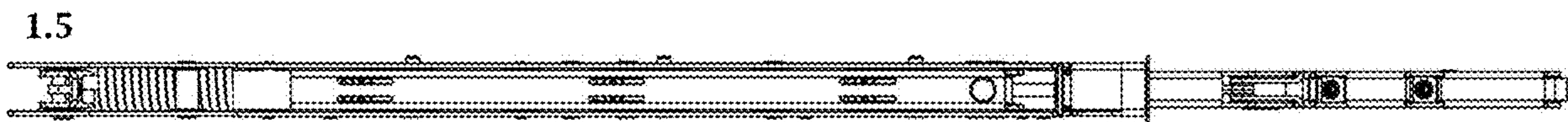


1.3

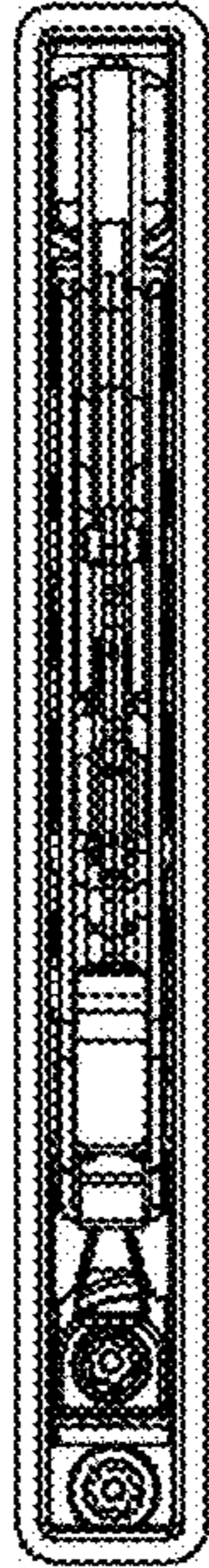


1.4





1.6



1.7

