

US00D932868S

(12) **United States Design Patent**  
**Karpman et al.**

(10) **Patent No.:** **US D932,868 S**  
(45) **Date of Patent:** **\*\* Oct. 12, 2021**

(54) **ANTIMICROBIAL ADHESIVE FOR A L-HANDLE**

(71) Applicant: **Silver Defender, Corp.**, Fort Lee, NJ (US)

(72) Inventors: **Alan Karpman**, Fort Lee, NJ (US);  
**Boris Karpman**, Fort Lee, NJ (US);  
**Zeynep Ekemen**, Fort Lee, NJ (US)

(73) Assignee: **Silver Defender Corp**, Fort Lee, NJ (US)

(\*\*) Term: **15 Years**

(21) Appl. No.: **29/734,728**

(22) Filed: **May 15, 2020**

(51) **LOC (13) Cl.** ..... **08-06**

(52) **U.S. Cl.**  
USPC ..... **D8/322**

(58) **Field of Classification Search**  
USPC ..... D8/322, 300, 301, 302, 303, 305, 321;  
D15/89, 79, 91; D7/393, 394, 387, 391;  
D23/270, 271  
CPC ... E05B 1/0066; E05B 65/1059; B24B 29/06;  
E06B 7/285; A47J 45/10  
See application file for complete search history.

(56) **References Cited**

**U.S. PATENT DOCUMENTS**

4,832,942	A *	5/1989	Grace	.....	B32B 5/18 428/41.1
D313,336	S *	1/1991	Williams	.....	D8/322
D328,812	S *	8/1992	Pritchett	.....	D8/322
D370,110	S *	5/1996	Beam	.....	B62B 5/069 D8/322
5,709,465	A *	1/1998	Lanzone	.....	F21V 21/406 362/399
6,796,002	B2 *	9/2004	Beckwith	.....	A45C 13/26 16/110.1

(Continued)

**OTHER PUBLICATIONS**

Karpman et al., U.S. Appl. No. 29/734,542, filed May 13, 2020, titled "Bathroom Latch Handle Antimicrobial Adhesive".

(Continued)

*Primary Examiner* — Keli L Hill

*Assistant Examiner* — Harold E Blackwell, II

(74) *Attorney, Agent, or Firm* — Lerner, David, Littenberg, Krumholz & Mentlik, LLP

(57) **CLAIM**

The ornamental design for an antimicrobial adhesive for a L-handle, as shown and described.

**DESCRIPTION**

FIG. 1 illustrates a top view of an antimicrobial adhesive for a L-handle according to a first embodiment of our new design;

FIG. 2 illustrates a bottom view thereof;

FIG. 3 illustrates an environmental perspective view thereof showing an example use thereof;

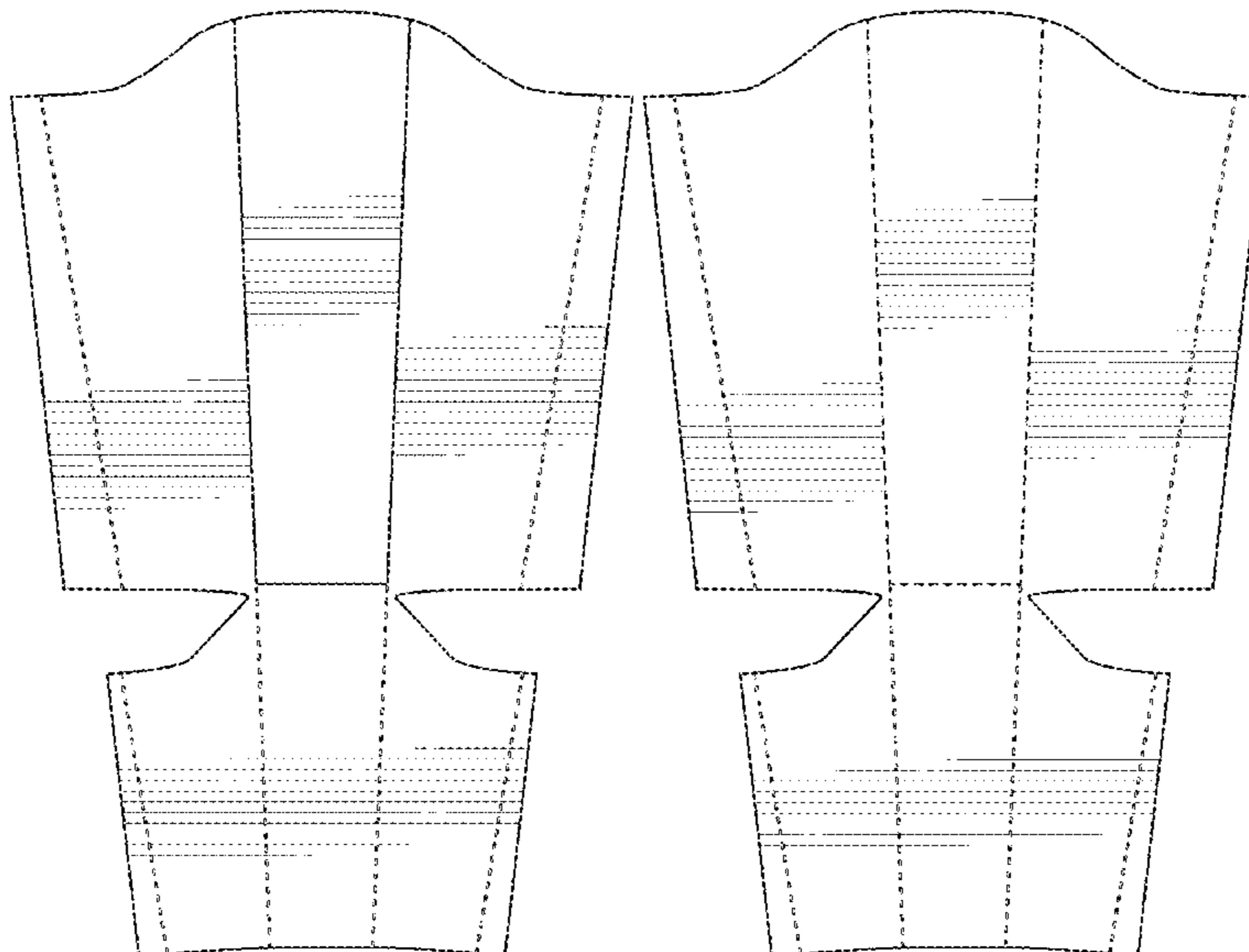
FIG. 4 illustrates a top view of an antimicrobial adhesive for a L-handle according to a second embodiment of our new design;

FIG. 5 illustrates a bottom view thereof; and,

FIG. 6 illustrates an environmental perspective view thereof showing an example use thereof.

The antimicrobial adhesive is thin and so the side views are not shown. The dotted lines in FIGS. 1-2 represent perforations that form part of the claimed design. The dotted lines in FIGS. 4-5 represent perforations that form no part of the claimed design. The broken lines of even length in FIGS. 3 and 6 represent environmental structure that forms no part of the claimed design. The broken lines of even length in FIG. 5 represent portions of the antimicrobial adhesive that form no part of the claimed design.

**1 Claim, 4 Drawing Sheets**



(56)

**References Cited**

## U.S. PATENT DOCUMENTS

8,109,524 B1 \* 2/2012 Toohey ..... B62B 5/069  
280/33.992  
D663,991 S \* 7/2012 Anderson ..... D6/610  
8,276,626 B2 \* 10/2012 Balbosa ..... B65D 65/08  
150/154  
8,375,521 B1 \* 2/2013 Caron ..... E05B 1/0069  
16/435  
8,695,168 B1 \* 4/2014 Cepeda ..... B25G 1/10  
16/435  
D764,118 S 8/2016 Pope  
D855,693 S 8/2019 Franco  
D870,719 S 12/2019 Peters et al.  
D910,415 S \* 2/2021 Smither ..... D8/322  
D910,416 S \* 2/2021 Smither ..... D8/322  
2012/0016328 A1 1/2012 Shi et al.  
2020/0352162 A1 11/2020 Karpman et al.

## OTHER PUBLICATIONS

Karpman et al., U.S. Appl. No. 29/734,725, filed May 15, 2020,  
titled "Fridge Handle Antimicrobial Adhesive".  
Karpman et al., U.S. Appl. No. 29/734,726, filed May 15, 2020,  
titled "D Handle Antimicrobial Adhesive".  
Karpman et al., U.S. Appl. No. 29/734,727, filed May 15, 2020,  
titled "Paddle Handle Antimicrobial Adhesive".  
Karpman et al., U.S. Appl. No. 29/734,959, filed May 17, 2020,  
titled "Narrow Antimicrobial Adhesive Tape".  
Karpman et al., U.S. Appl. No. 29/734,960, filed May 17, 2020,  
titled "Antimicrobial Adhesive Tape".  
Karpman et al., U.S. Appl. No. 29/734,961, filed May 17, 2020,  
titled "Wide Antimicrobial Adhesive Tape".

\* cited by examiner

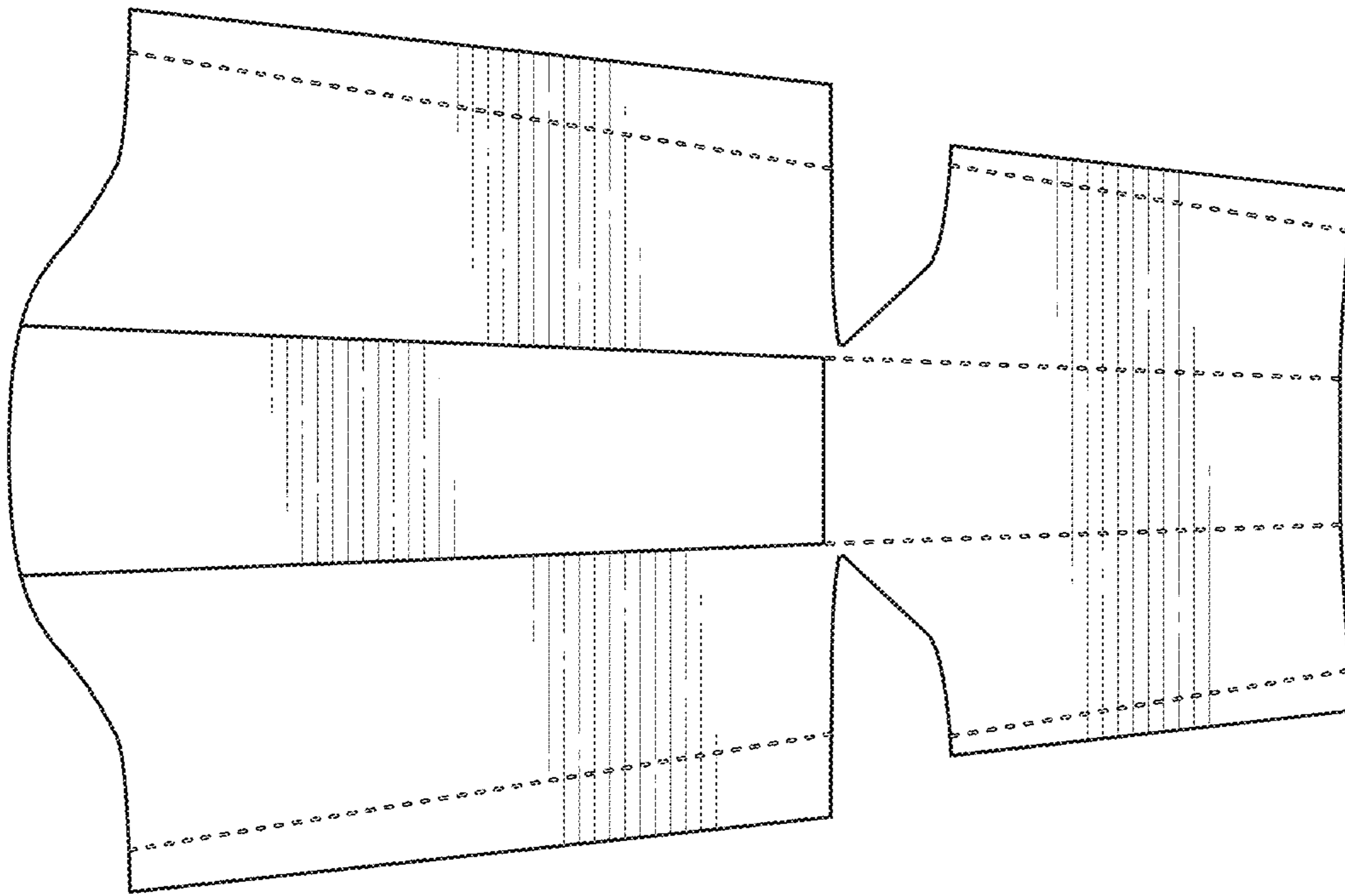


FIG. 1

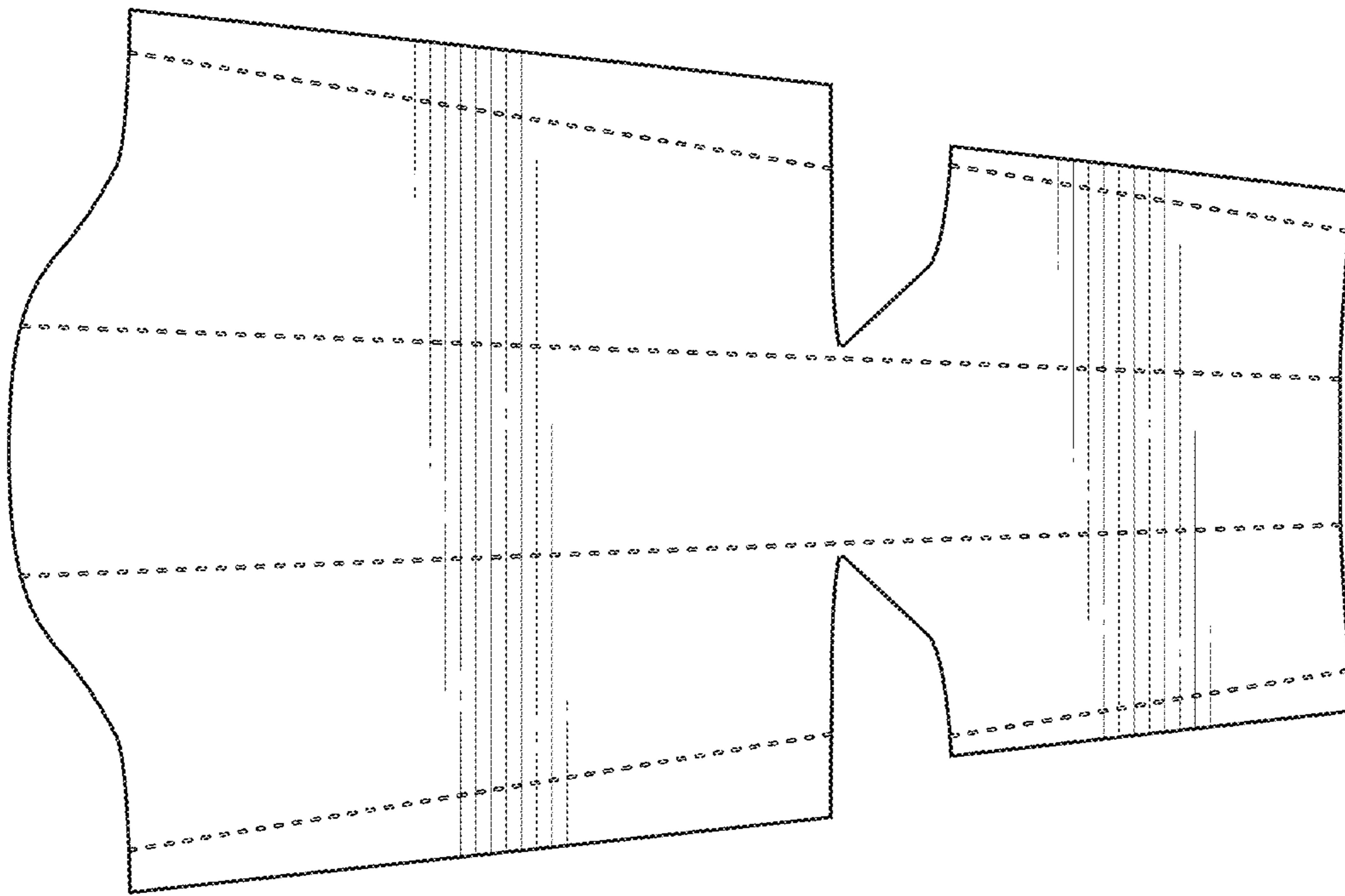
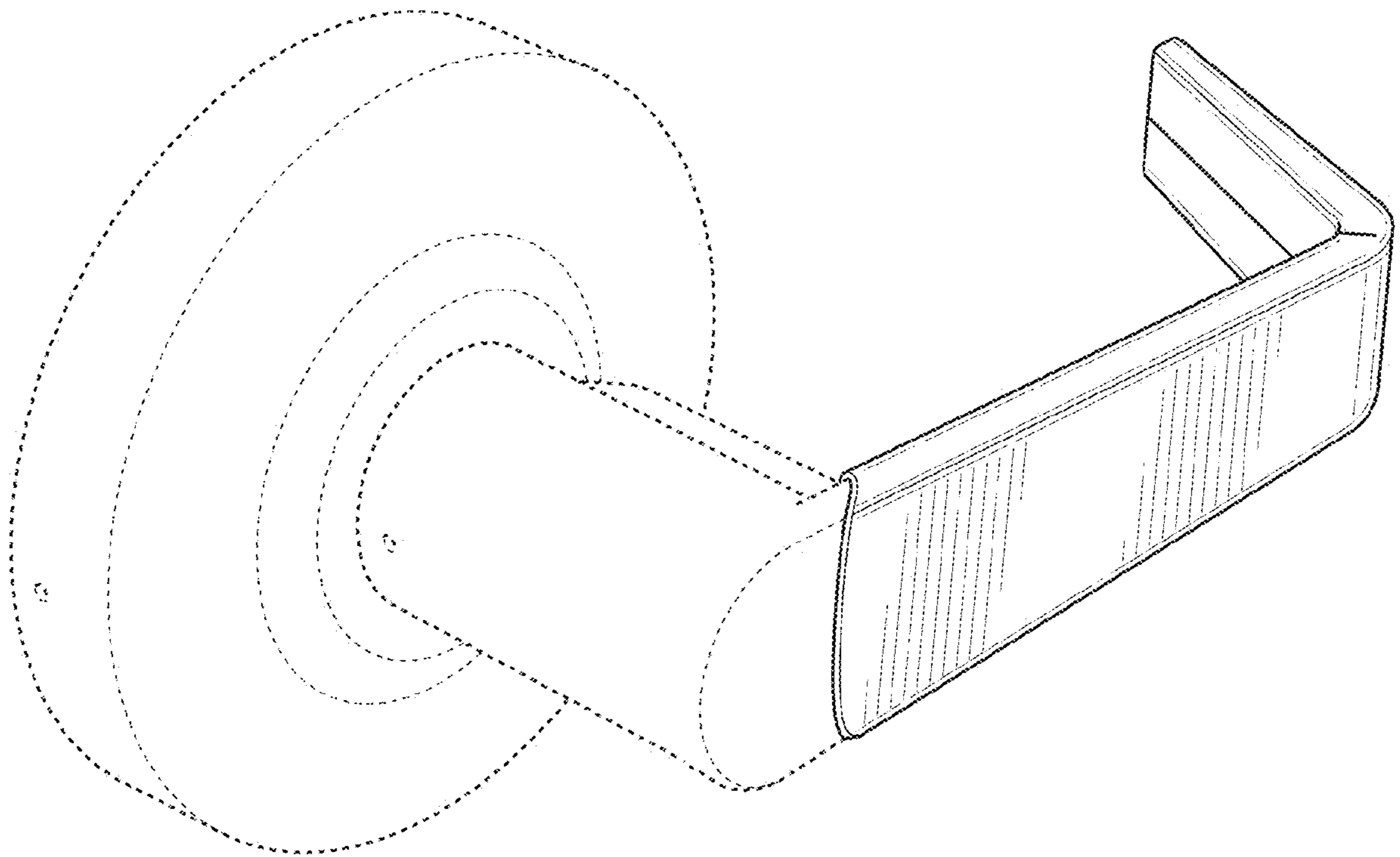


FIG. 2



**FIG. 3**



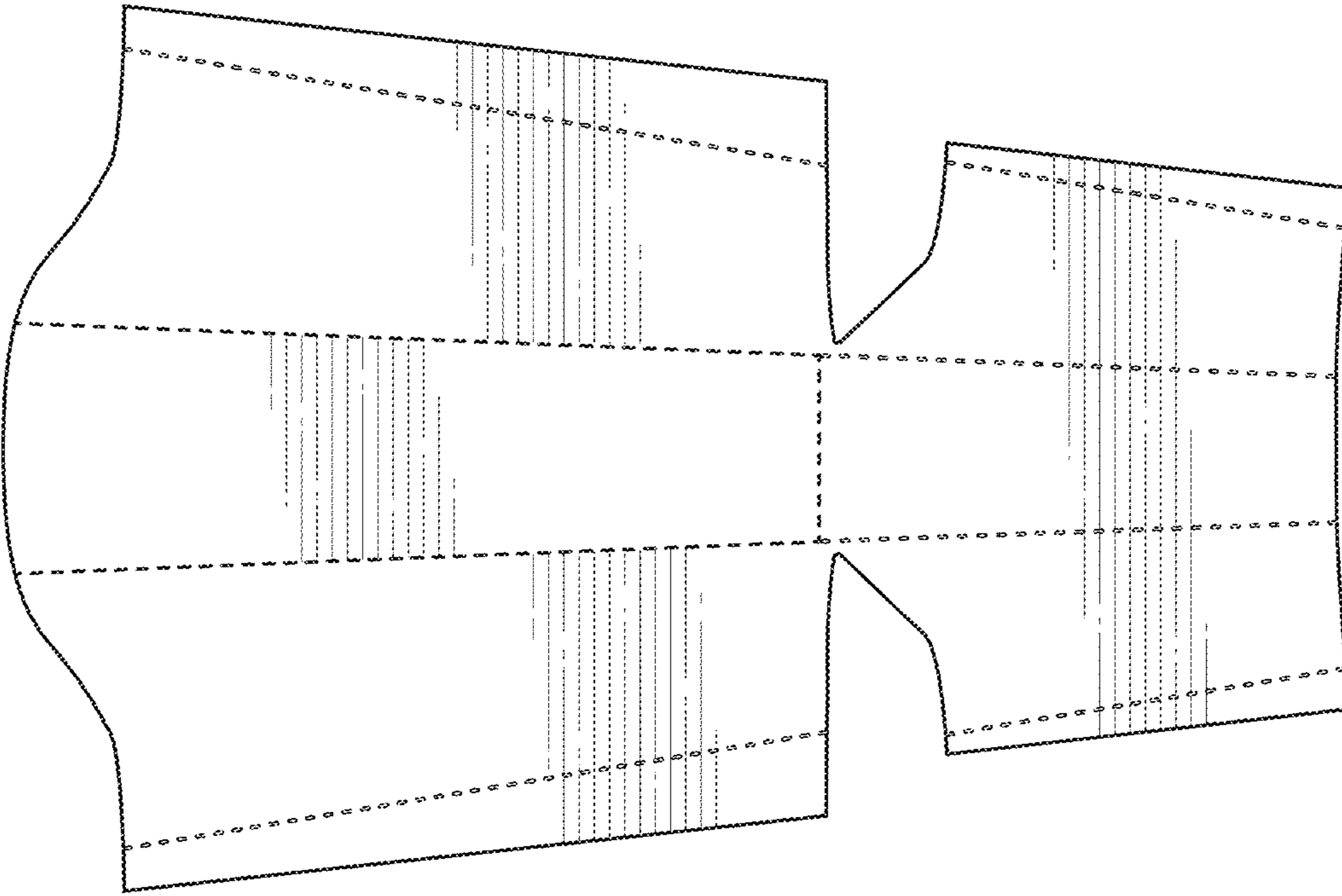


FIG. 5

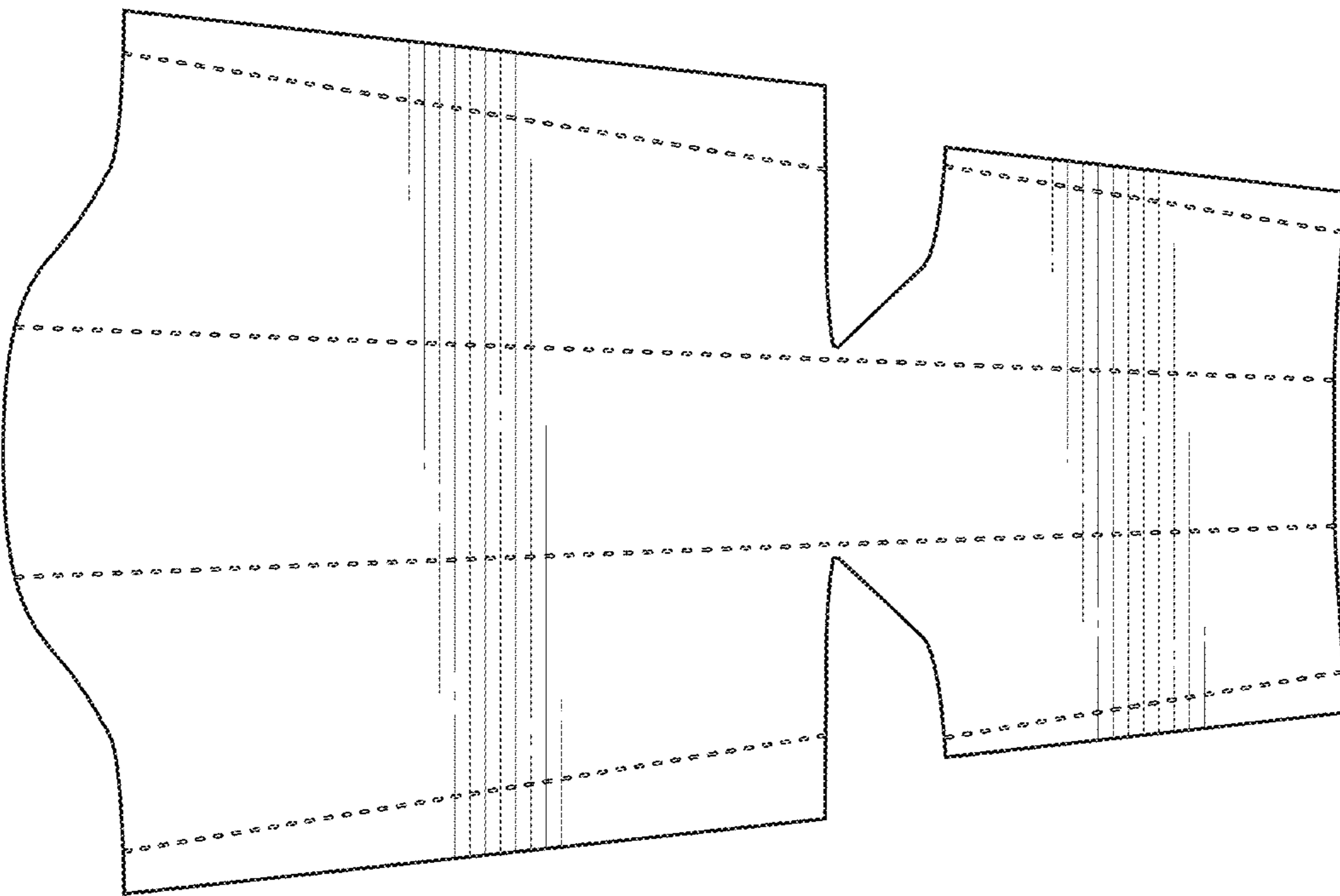


FIG. 4

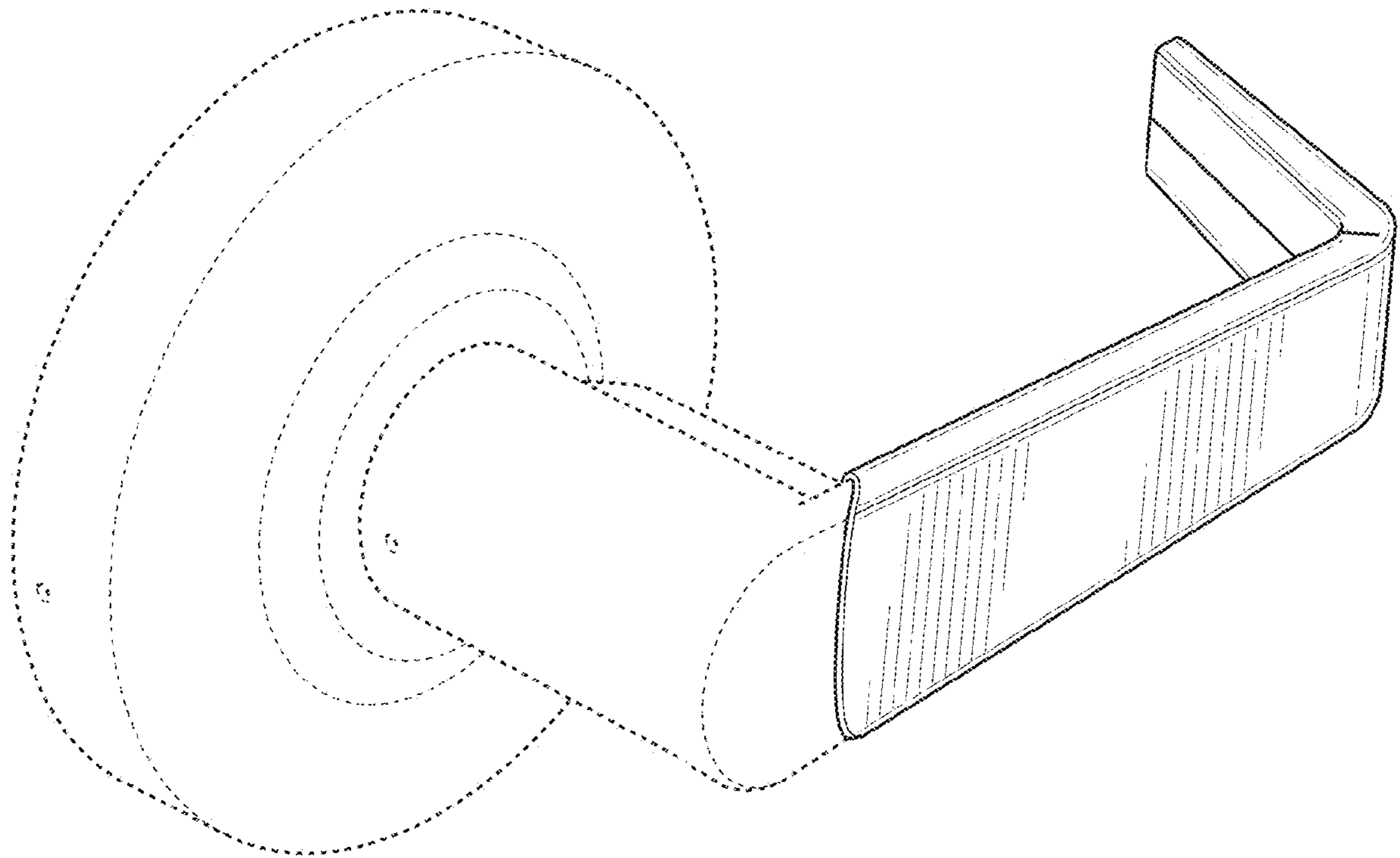


FIG. 6