

US00D932864S

(12) **United States Design Patent**  
**May**

(10) **Patent No.:** **US D932,864 S**

(45) **Date of Patent:** **\*\* Oct. 12, 2021**

- (54) **MOTORCYCLE HANDLEBAR GRIP**
- (71) Applicant: **Ciro, LLC**, Hudson, WI (US)
- (72) Inventor: **Darron B. May**, Stillwater, MN (US)
- (73) Assignee: **CIRO CORPORATION**, Hudson, WI (US)
- (\*\*) Term: **15 Years**
- (21) Appl. No.: **29/724,924**
- (22) Filed: **Feb. 20, 2020**
- (51) **LOC (13) Cl.** ..... **08-06**
- (52) **U.S. Cl.**  
USPC ..... **D8/303**
- (58) **Field of Classification Search**  
USPC ..... D8/107, 300, 303, 307, 311, 312, 315;  
D3/328; D7/395; D9/434  
CPC ..... Y10T 16/469; Y10T 16/476; Y10T  
74/20828; Y10T 74/20822; Y10T 16/466;  
Y10T 16/4713; Y10T 16/4707; Y10T  
16/44; Y10T 74/2078; Y10T 74/20732;  
Y10T 74/20864; Y10T 16/4559; Y10T  
74/2028; Y10T 292/57; Y10T 16/4576;  
Y10T 408/96; Y10T 74/20612; Y10T  
407/1825; Y10T 74/20642; Y10T 408/65;  
Y10T 70/5872; Y10T 74/2042; Y10T  
74/20396; Y10T 29/53943; Y10T  
403/1649; B25G 1/102; B25G 1/10;  
B25G 1/105; B25G 3/00; B25G 1/085  
See application file for complete search history.

(56) **References Cited**

U.S. PATENT DOCUMENTS

- 4,352,303 A \* 10/1982 Christner ..... B62K 23/04  
180/219
- D274,122 S \* 6/1984 Stahel ..... D8/303
- 4,535,649 A \* 8/1985 Stahel ..... B62K 21/26  
74/551.1

- 4,895,044 A \* 1/1990 Ekins ..... B62K 21/26  
16/421
- 5,125,286 A \* 6/1992 Wilson ..... B62K 21/26  
473/298
- D335,437 S \* 5/1993 Wilson ..... D8/303
- D341,403 S \* 11/1993 Wilkinson ..... D21/684
- 5,507,202 A \* 4/1996 Phillips ..... B62K 21/26  
74/489
- 5,823,069 A \* 10/1998 Roark ..... B62K 21/26  
74/551.9
- 6,615,687 B2 \* 9/2003 Bendetti ..... B62K 21/26  
74/551.8
- D551,535 S \* 9/2007 Wake ..... D8/303
- D554,465 S \* 11/2007 Laurienzo ..... D12/179
- D596,476 S \* 7/2009 Welch ..... D8/303
- D621,680 S \* 8/2010 Hsu ..... D8/303
- D648,204 S \* 11/2011 Parvey ..... D8/303
- 8,365,635 B2 \* 2/2013 Grimes ..... B62K 21/26  
74/551.9

(Continued)

*Primary Examiner* — Darlington Ly  
(74) *Attorney, Agent, or Firm* — Dicke, Billig & Czaja, PLLC

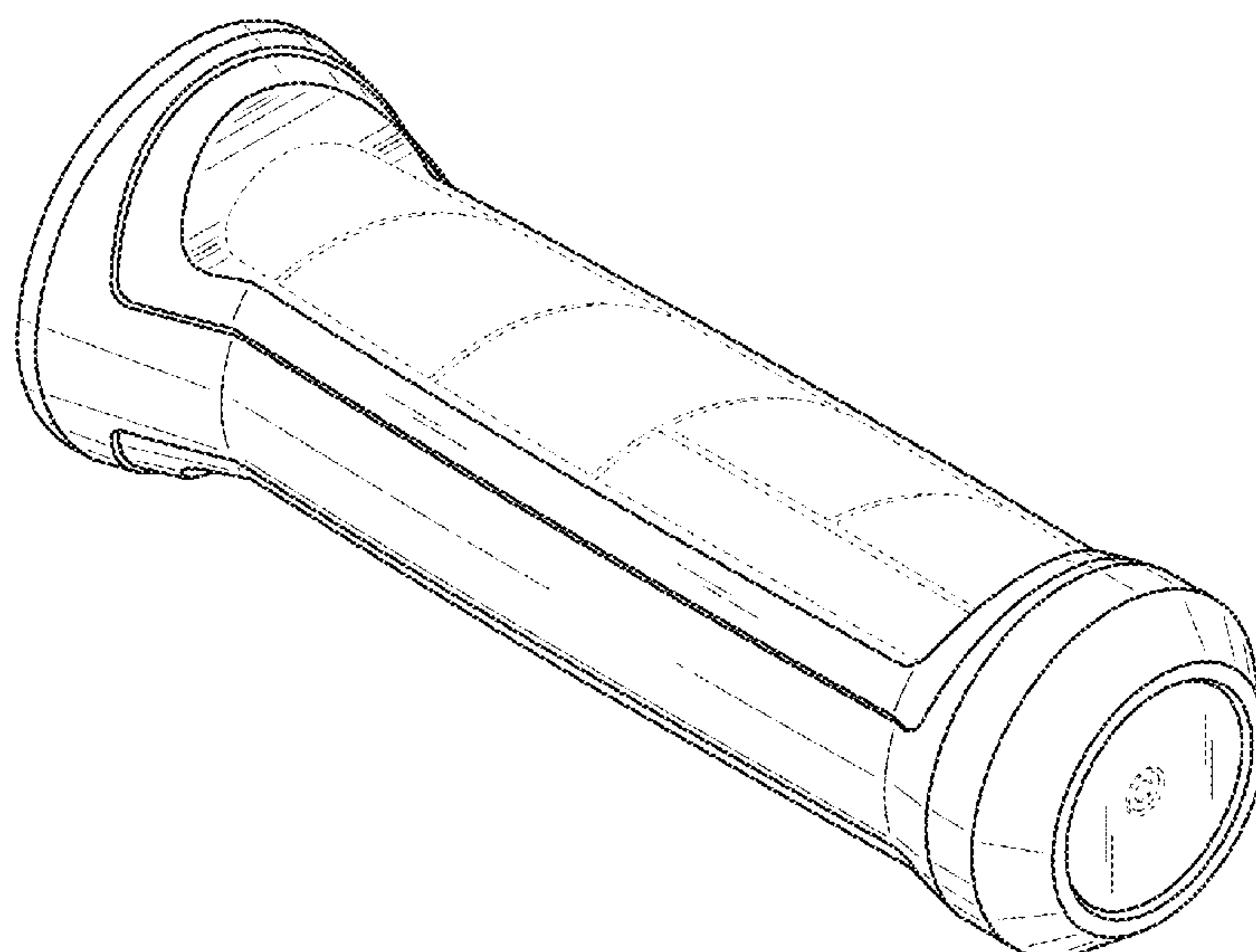
(57) **CLAIM**

The ornamental design for a motorcycle handlebar grip, as shown and described.

**DESCRIPTION**

FIG. 1 is a perspective view of a motorcycle handlebar grip embodying my new design;  
FIG. 2 is a left side elevation view thereof;  
FIG. 3 is a right side elevation view thereof;  
FIG. 4 is a top plan view thereof;  
FIG. 5 is a bottom plan view thereof;  
FIG. 6 is a front elevation view thereof; and,  
FIG. 7 is a rear elevation view thereof.  
The broken lines in the drawings illustrate portions of the motorcycle handlebar grip that form no part of the claimed design.

**1 Claim, 7 Drawing Sheets**



(56)

**References Cited**

U.S. PATENT DOCUMENTS

D725,987 S *	4/2015	May .....	D8/303
D736,054 S *	8/2015	Heva .....	D8/303
D740,098 S *	10/2015	Kuo .....	D8/303
D746,447 S *	12/2015	Wheeler .....	D24/129
9,428,241 B1 *	8/2016	Parvey .....	B62K 21/26
D774,429 S *	12/2016	Ascari .....	D12/179
2009/0255093 A1 *	10/2009	Hsu .....	B62K 21/26 16/421

\* cited by examiner

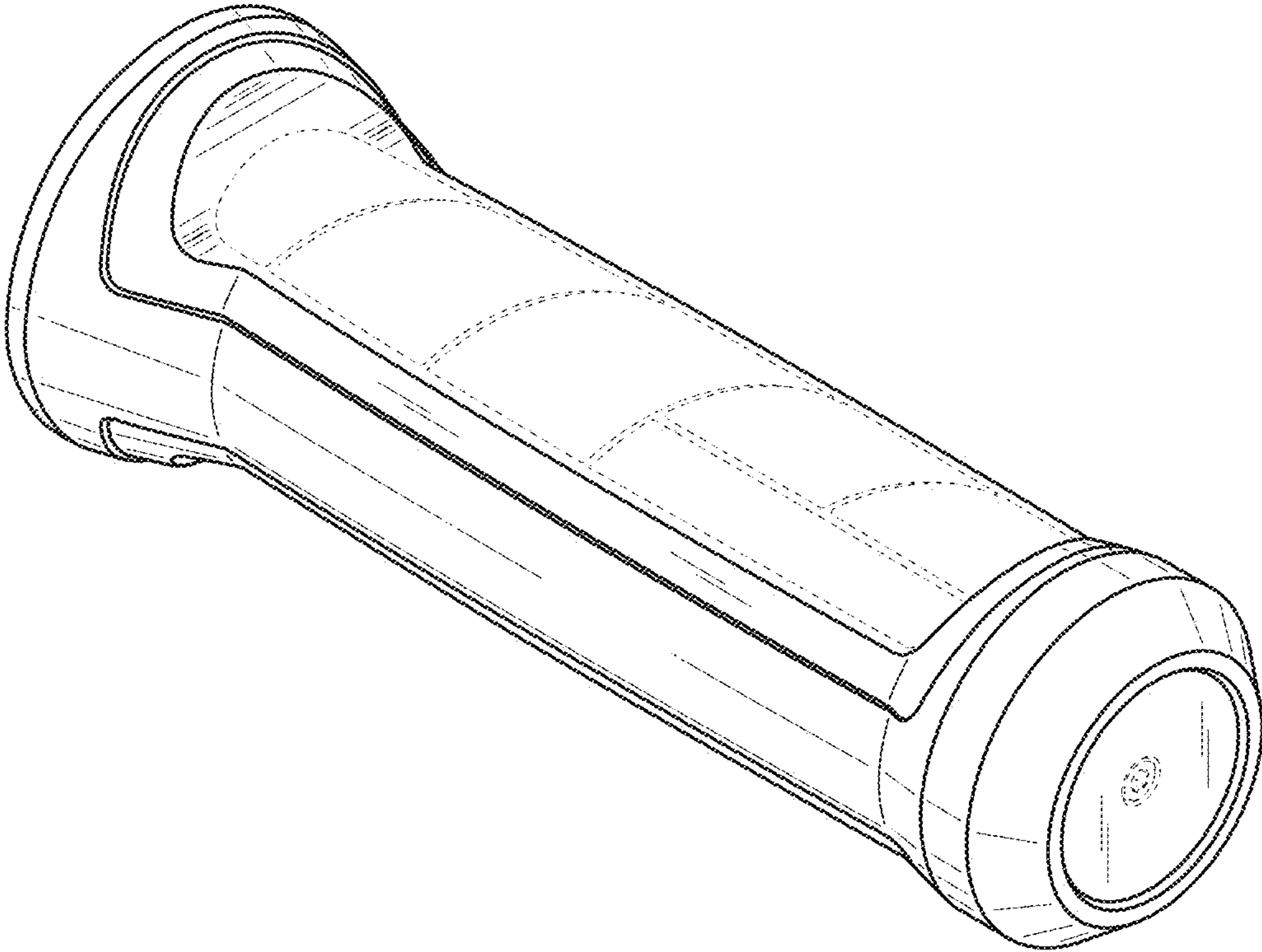
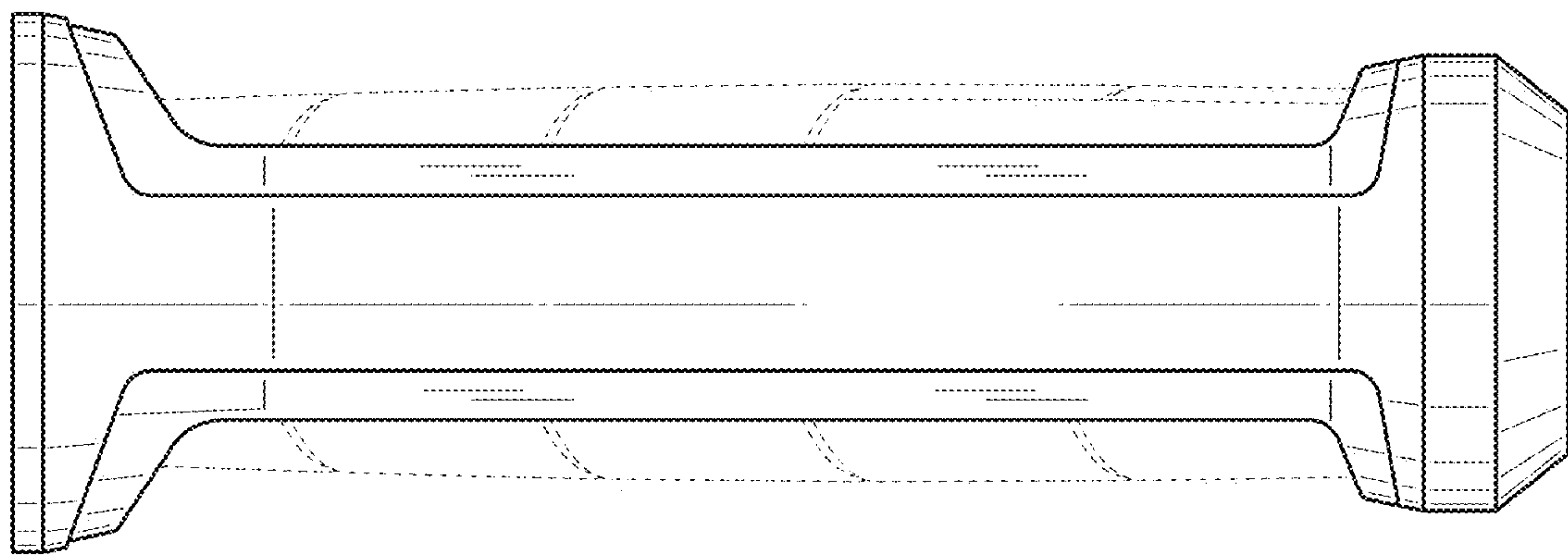
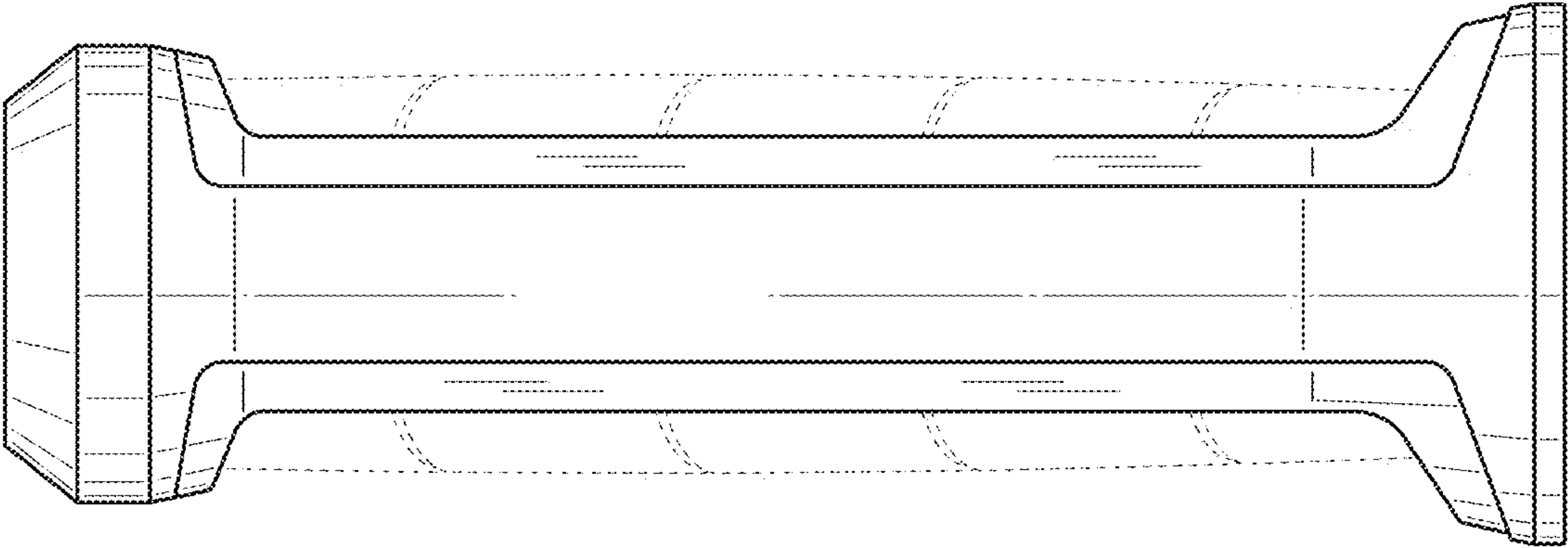


Fig. 1



**Fig. 2**



**Fig. 3**

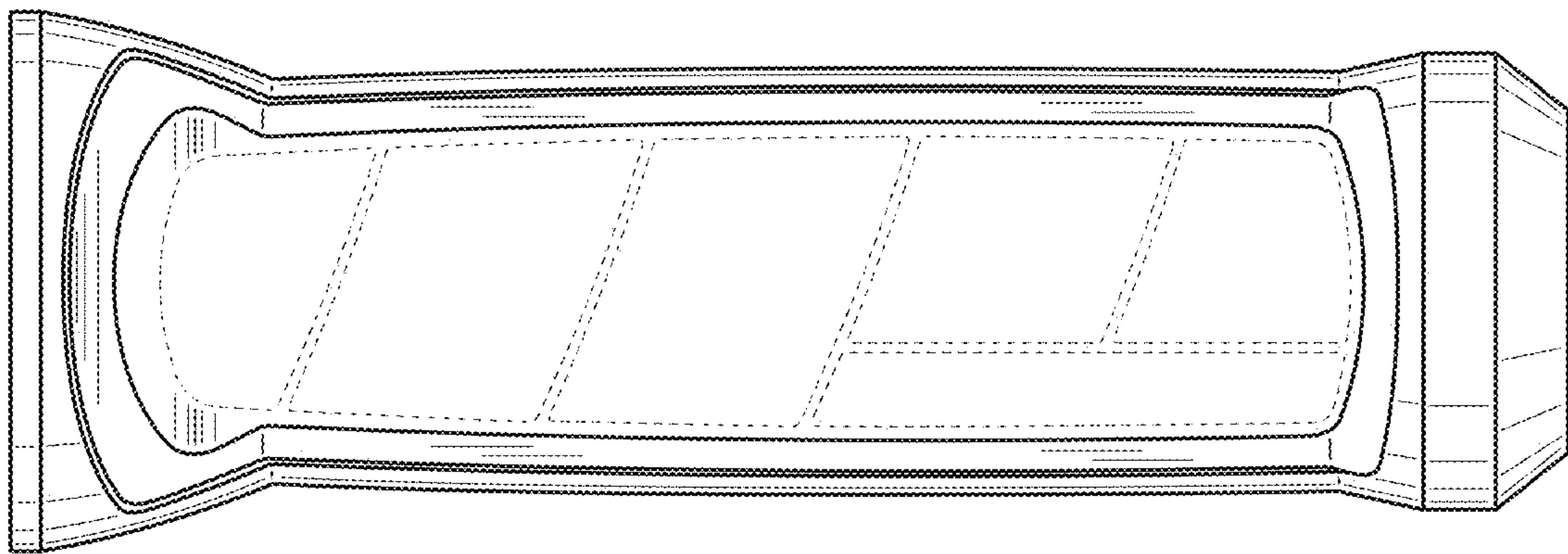
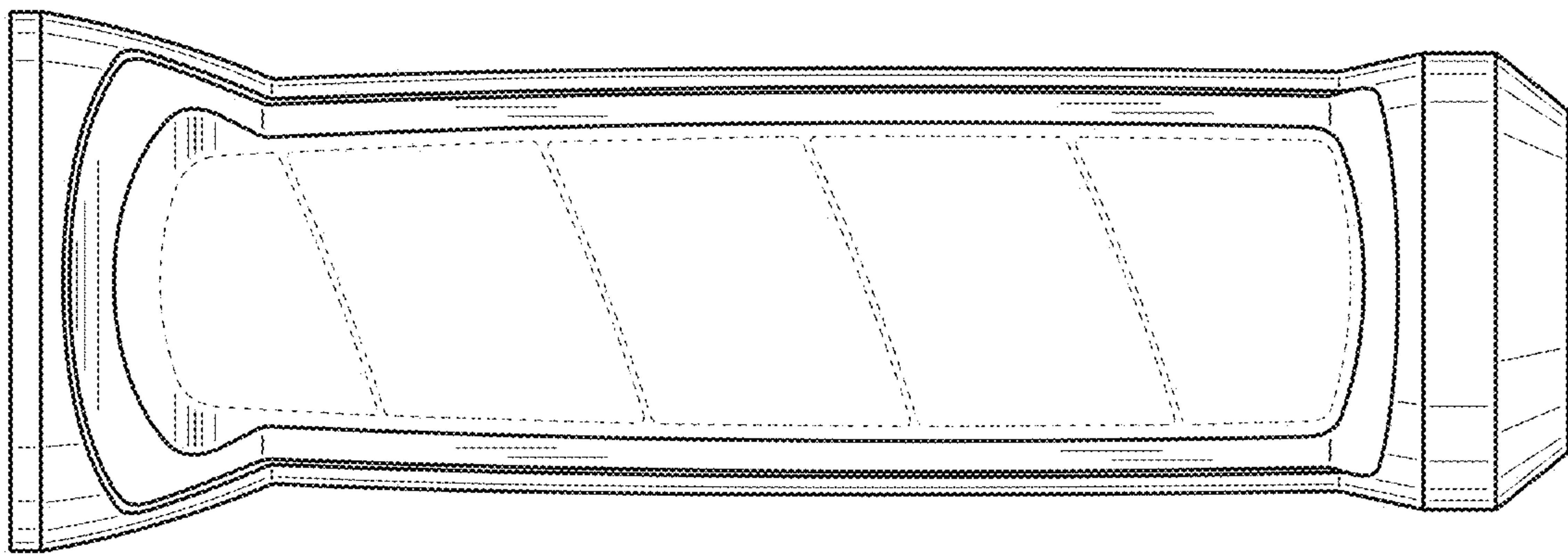
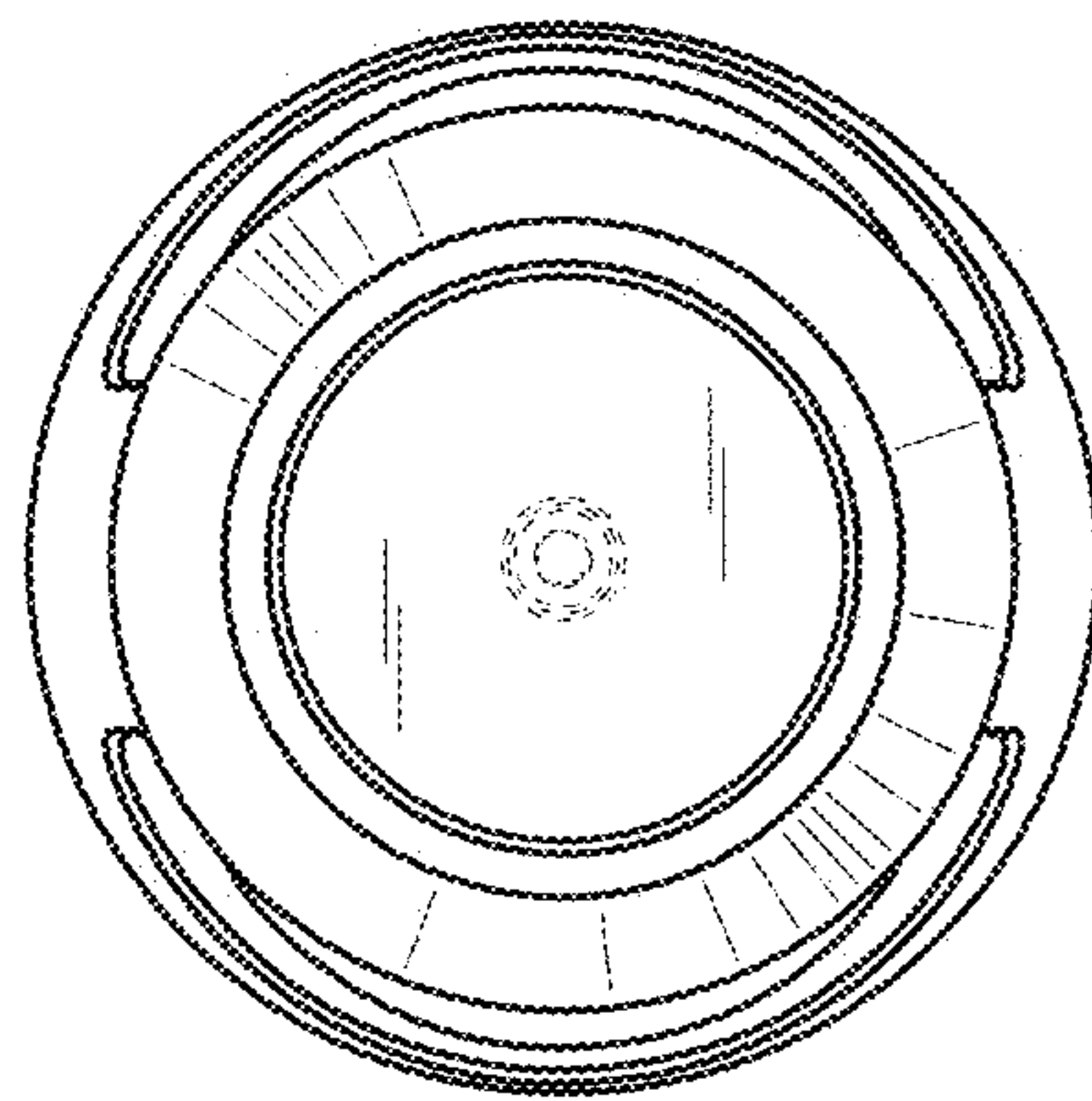


Fig. 4



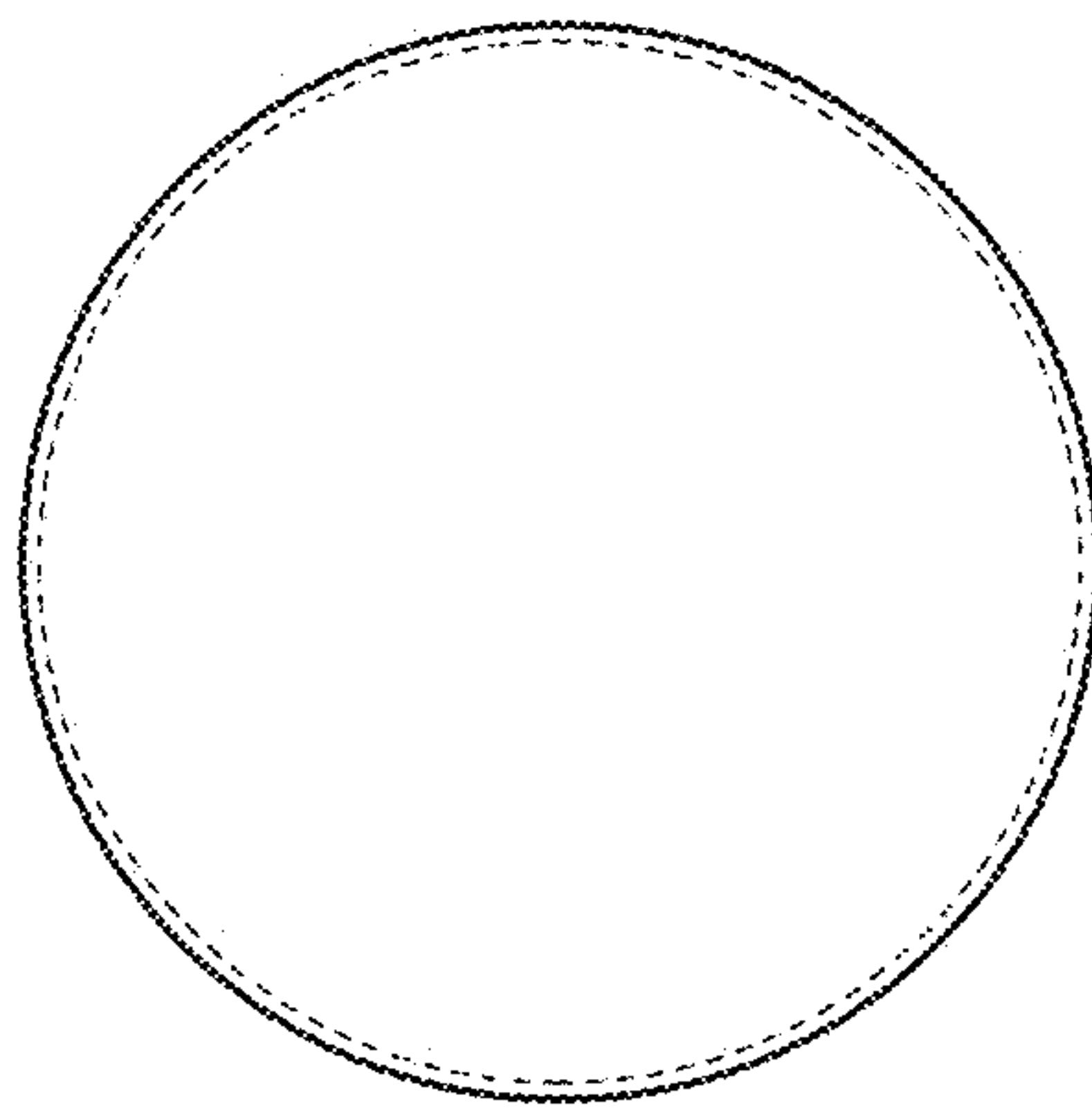


**Fig. 5**



**Fig. 6**





**Fig. 7**