



US00D932862S

(12) **United States Design Patent**  
**Sun**

(10) **Patent No.:** **US D932,862 S**

(45) **Date of Patent:** **\*\* Oct. 12, 2021**

(54) **HACKSAW FRAME**

(71) Applicant: **Guoqiao Sun**, Hangzhou (CN)

(72) Inventor: **Guoqiao Sun**, Hangzhou (CN)

(\*\*) Term: **15 Years**

(21) Appl. No.: **29/741,964**

(22) Filed: **Jul. 17, 2020**

(51) **LOC (13) Cl.** ..... **08-03**

(52) **U.S. Cl.**

USPC ..... **D8/97**; D8/96

(58) **Field of Classification Search**

USPC ..... D8/14, 95, 96, 97, 98, 99, 107

CPC ..... B23D 51/125; B23D 51/03; B23D 51/01;

B23D 51/08; B23D 51/10

See application file for complete search history.

(56) **References Cited**

**U.S. PATENT DOCUMENTS**

D317,395 S *	6/1991	Landahl	.....	D8/97
5,722,173 A *	3/1998	Huang	.....	B23D 49/11
				30/510
D395,218 S *	6/1998	Martin	.....	D8/97
5,768,788 A *	6/1998	Arnold	.....	B23D 51/01
				30/506
6,134,791 A *	10/2000	Huang	.....	B23D 51/01
				30/506
D483,639 S *	12/2003	Jimenez	.....	D8/97
D488,981 S *	4/2004	Jimenez	.....	D8/107
D488,982 S *	4/2004	Jimenez	.....	D8/97
D495,575 S *	9/2004	Jimenez	.....	D8/97
D499,628 S *	12/2004	Chi	.....	D8/97
7,254,893 B1 *	8/2007	Huang	.....	B23D 51/125
				30/507
D551,532 S *	9/2007	Huang	.....	D8/96

D574,209 S *	8/2008	Ranieri	.....	D8/97
D640,524 S *	6/2011	Huang	.....	D26/107
8,322,040 B2 *	12/2012	Jimenez	.....	B23D 51/01
				30/517
8,776,385 B2 *	7/2014	Huang	.....	B23D 51/14
				30/512
8,881,411 B2 *	11/2014	Green	.....	B23D 49/12
				30/513
D721,940 S *	2/2015	Vanderbeek	.....	D8/96
D755,034 S *	5/2016	DeBaker	.....	D8/97
2010/0132203 A1 *	6/2010	Green	.....	B23D 51/125
				30/513
2010/0192392 A1 *	8/2010	Scott	.....	B27B 21/02
				30/513
2012/0011732 A1 *	1/2012	Ranieri	.....	B23D 51/10
				30/506
2014/0259702 A1 *	9/2014	Green	.....	B23D 51/12
				30/507

\* cited by examiner

*Primary Examiner* — Philip S Hyder

(57) **CLAIM**

The ornamental design for a hacksaw frame, as shown and described.

**DESCRIPTION**

FIG. 1 is a perspective view of a hacksaw frame showing my new design;

FIG. 2 is a front view thereof;

FIG. 3 is a rear view thereof;

FIG. 4 is a left side view thereof;

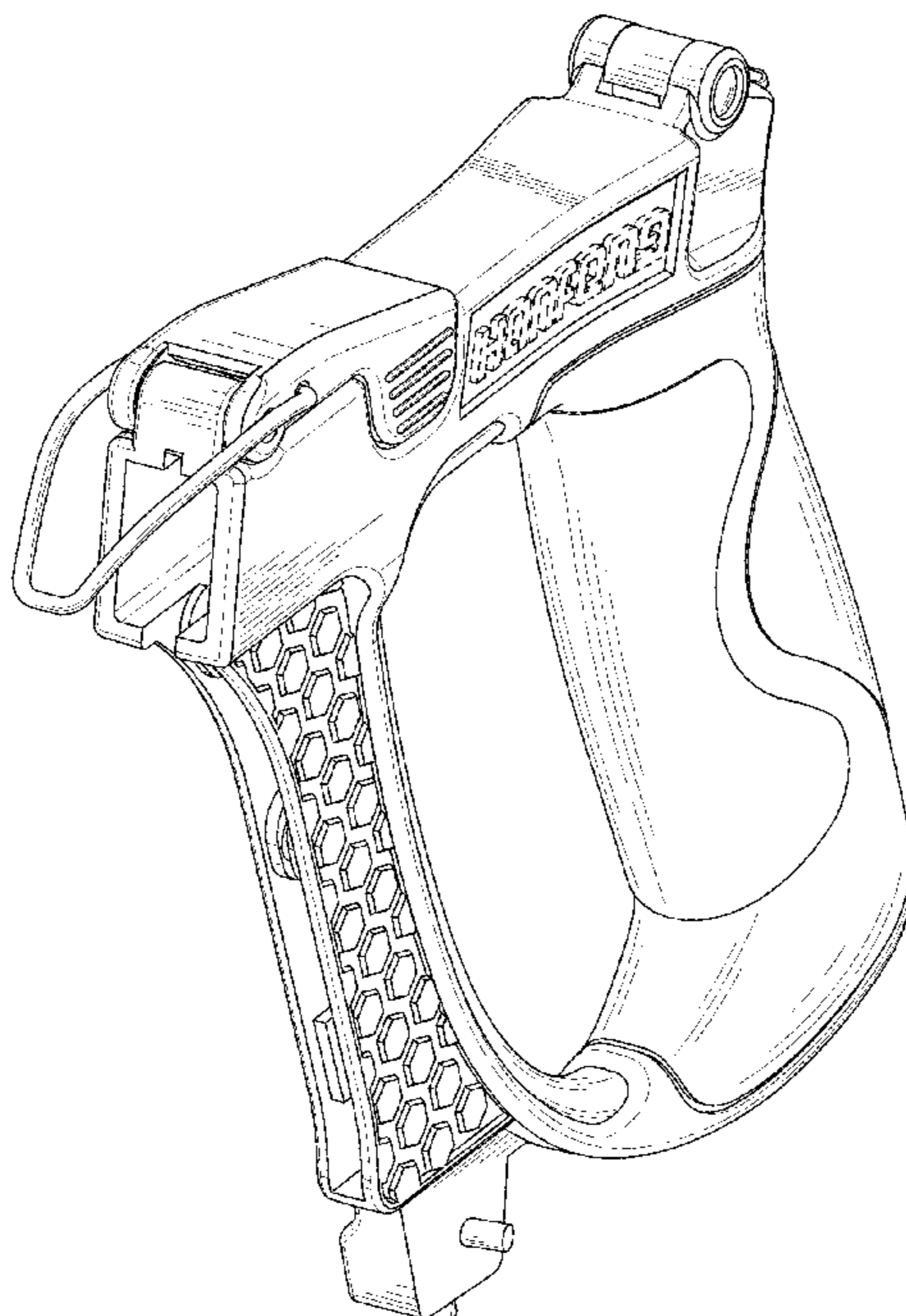
FIG. 5 is a right side view thereof;

FIG. 6 is a top plan view thereof; and,

FIG. 7 is a bottom plan, view thereof.

The broken lines in the figures illustrate portions of the hacksaw frame that form no part of the claimed design.

**1 Claim, 7 Drawing Sheets**



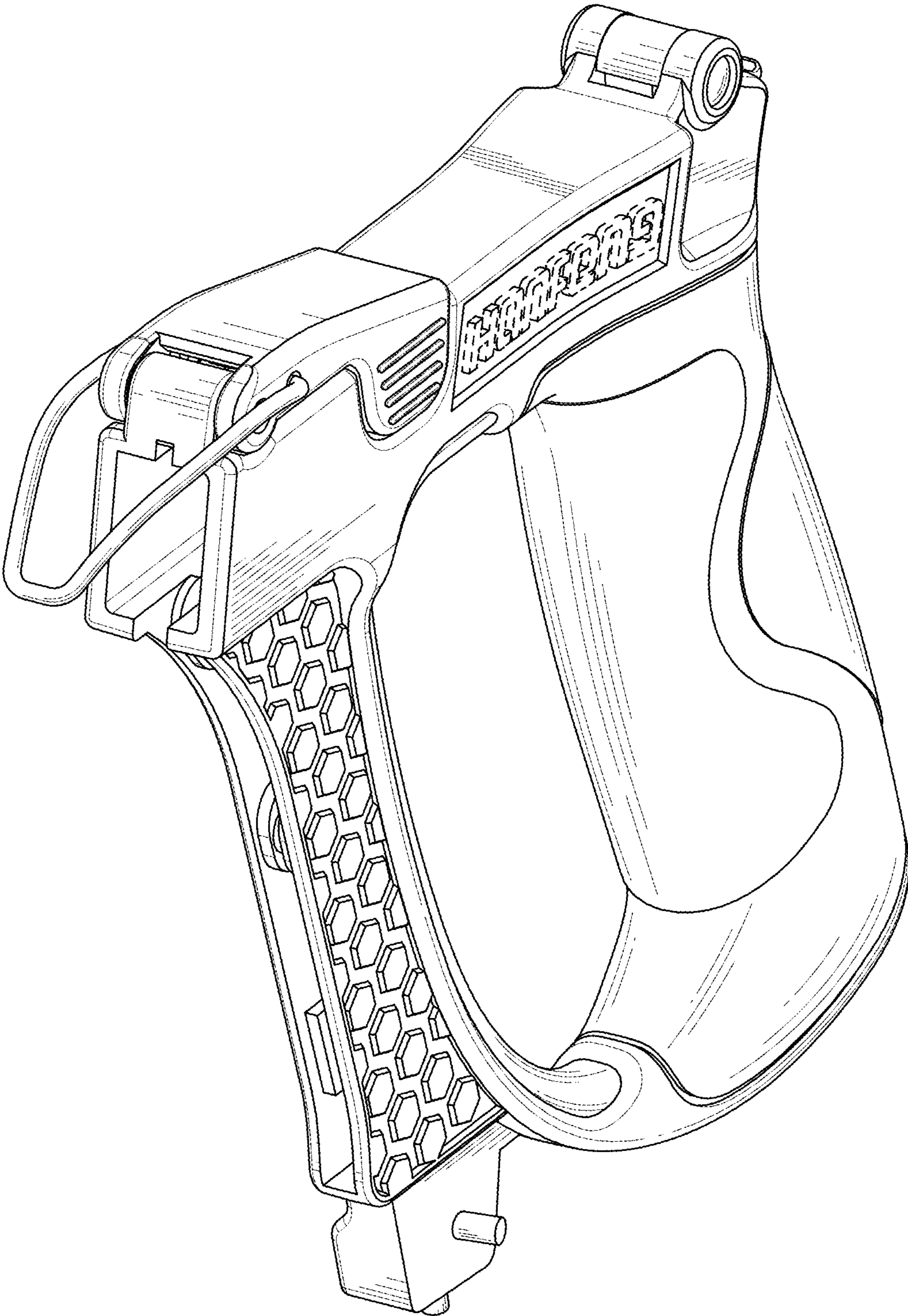


FIG. 1

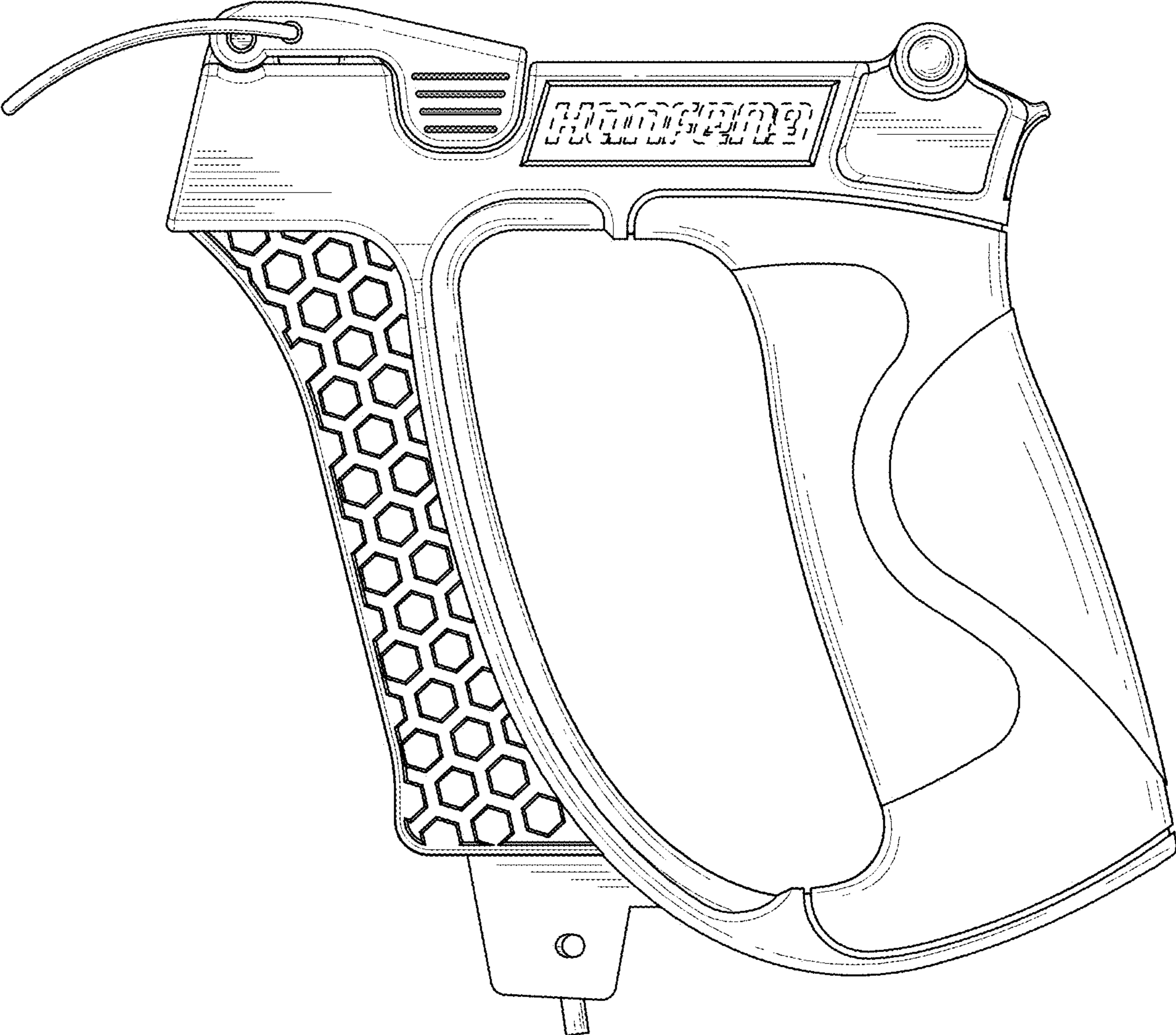


FIG. 2

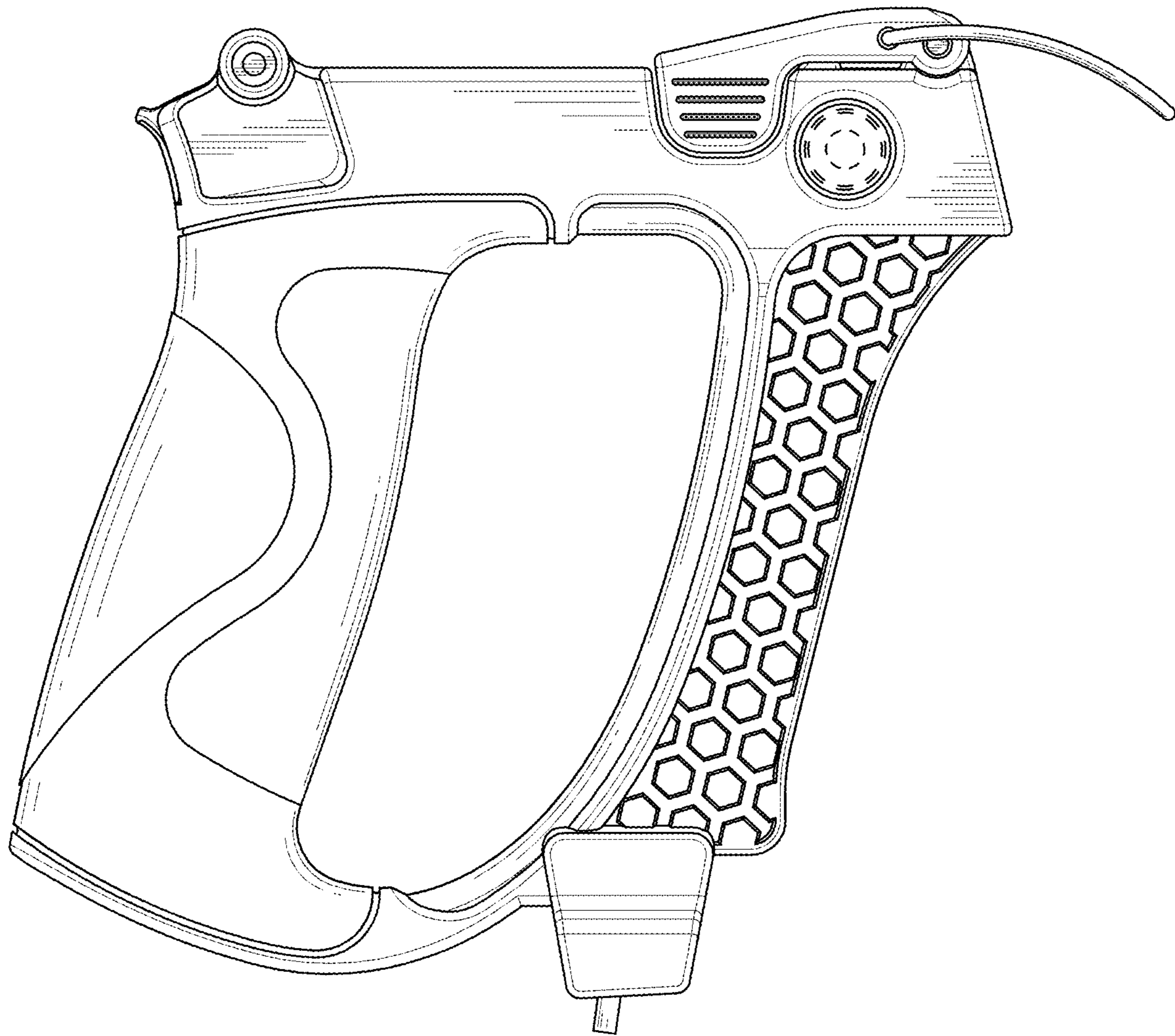


FIG. 3

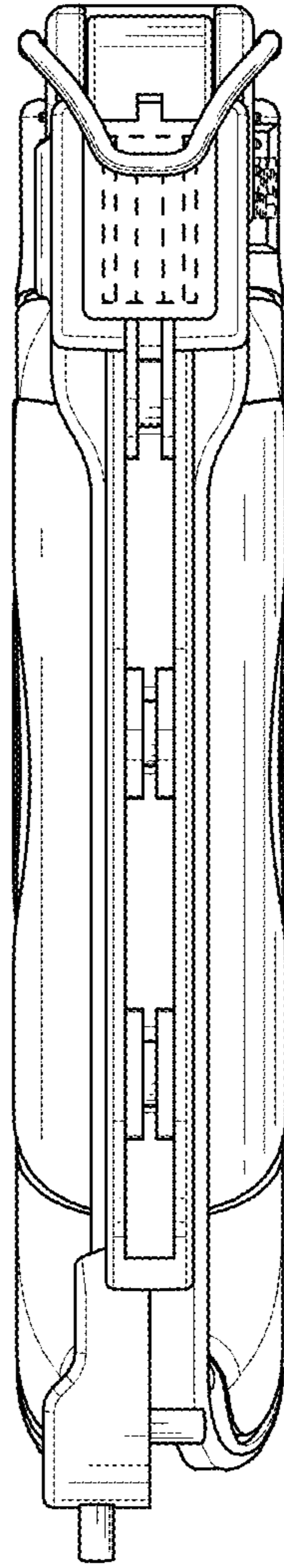


FIG. 4

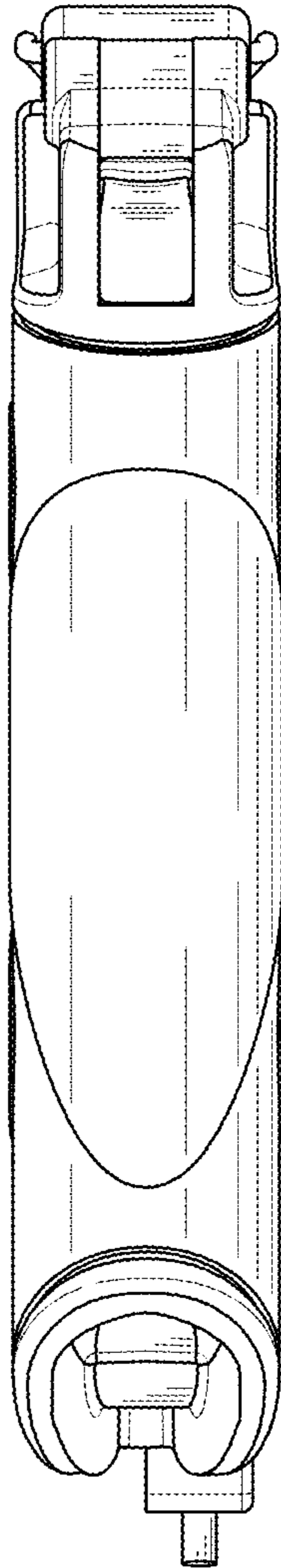


FIG. 5

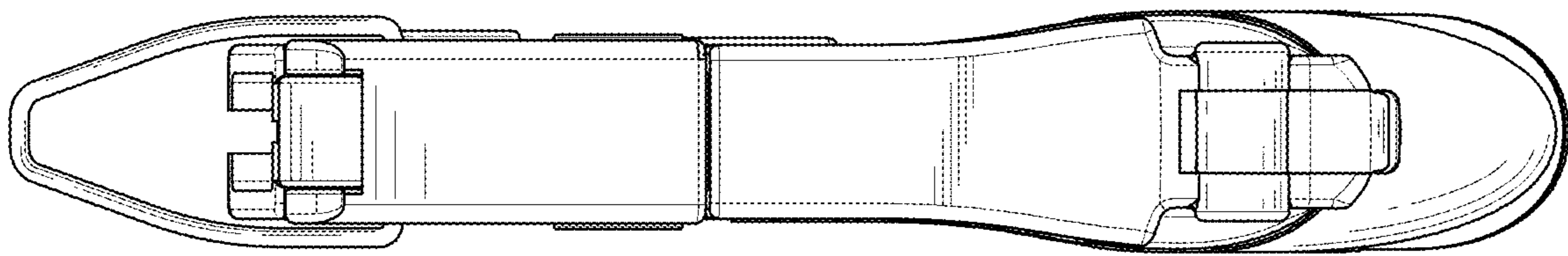


FIG. 6

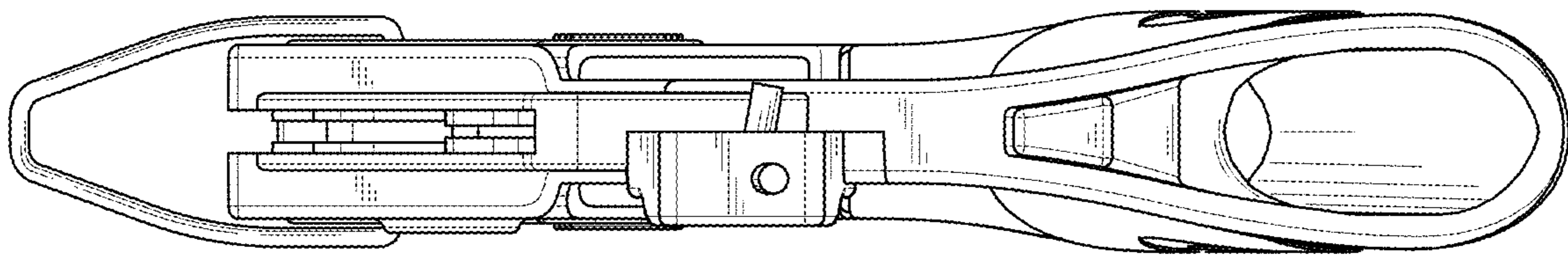


FIG. 7