



US00D932861S

(12) **United States Design Patent**
Fraga

(10) **Patent No.:** **US D932,861 S**

(45) **Date of Patent:** **** Oct. 12, 2021**

(54) **HAMMER HANDLE**

(71) Applicant: **Juan Carlos Fraga**, N. Fort Myers, FL
(US)

(72) Inventor: **Juan Carlos Fraga**, N. Fort Myers, FL
(US)

(**) Term: **15 Years**

(21) Appl. No.: **29/731,035**

(22) Filed: **Apr. 10, 2020**

(51) **LOC (13) Cl.** **08-02**

(52) **U.S. Cl.**
USPC **D8/80**

(58) **Field of Classification Search**
USPC D8/75, 76, 77, 78, 79, 80, 81, 107
CPC ... B25D 1/00; B25D 1/02; B25D 1/04; B25D
1/045; B25D 1/06; B25D 1/10; B25D
1/12; B25G 1/102

See application file for complete search history.

(56) **References Cited**

U.S. PATENT DOCUMENTS

D209,653 S *	12/1967	Vogel	D8/75
D407,960 S *	4/1999	Tyson	D8/80
D408,702 S *	4/1999	Hammond	D8/75
5,906,144 A *	5/1999	Staviski	B25G 1/102 81/20
D416,462 S *	11/1999	Pringle	D8/75

D420,881 S *	2/2000	Davis	D8/75
D425,772 S *	5/2000	Pringle	D8/78
6,619,408 B1 *	9/2003	Lai	B25G 1/01 16/110.1
D517,887 S *	3/2006	Fraga	D8/75
D558,552 S *	1/2008	Kuo	D8/75

* cited by examiner

Primary Examiner — Philip S Hyder
(74) *Attorney, Agent, or Firm* — Albert Bordas, P.A.

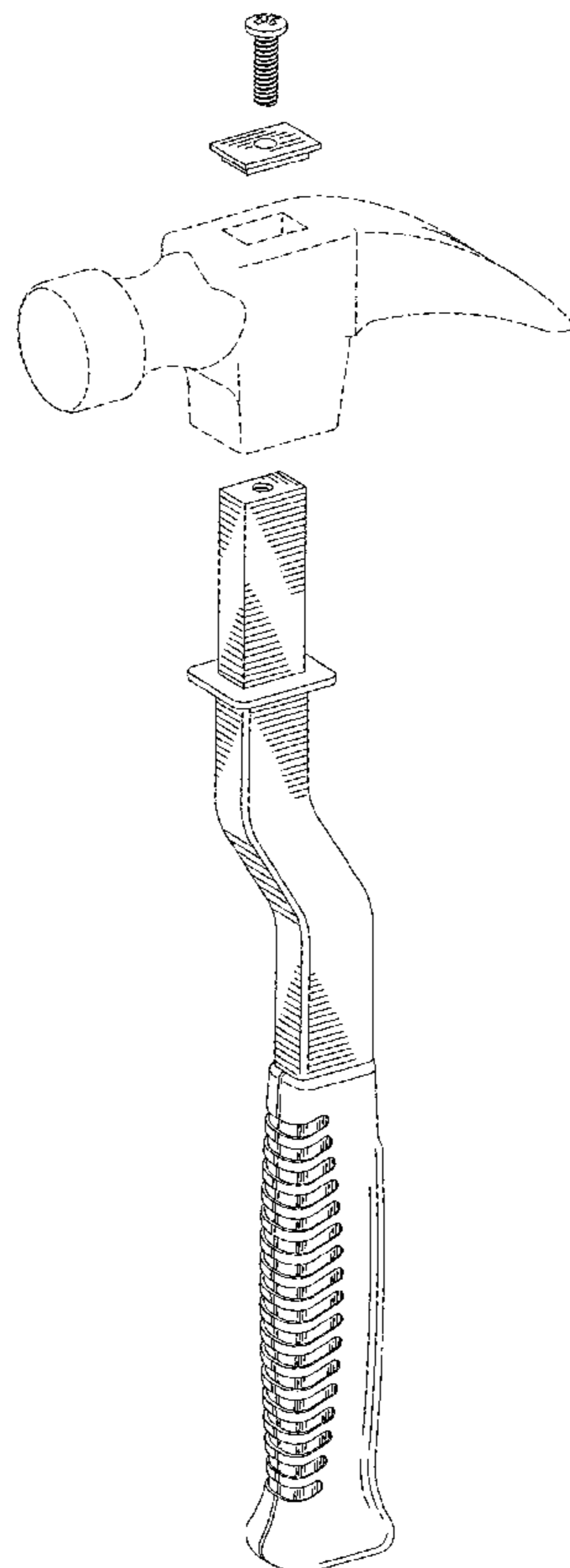
(57) **CLAIM**

The ornamental design for a hammer handle, as shown and described.

DESCRIPTION

FIG. 1 is an exploded front and right side isometric view of a hammer handle embodying my new design, wherein a hammer head is shown in broken lines;
 FIG. 2 is an exploded rear and left side isometric view of the hammer handle;
 FIG. 3 is front elevational view thereof;
 FIG. 4 is a right-side elevational view thereof;
 FIG. 5 is a left-side elevational view thereof;
 FIG. 6 is a rear elevational view thereof;
 FIG. 7 is a top plan exploded view thereof;
 FIG. 8 is a bottom plan exploded view thereof; and,
 FIG. 9 is a partial cross-section view thereof, taken along lines 9-9 as seen in FIG. 2.
 The broken lines represent environmental structure and form no part of the claimed design.

1 Claim, 3 Drawing Sheets



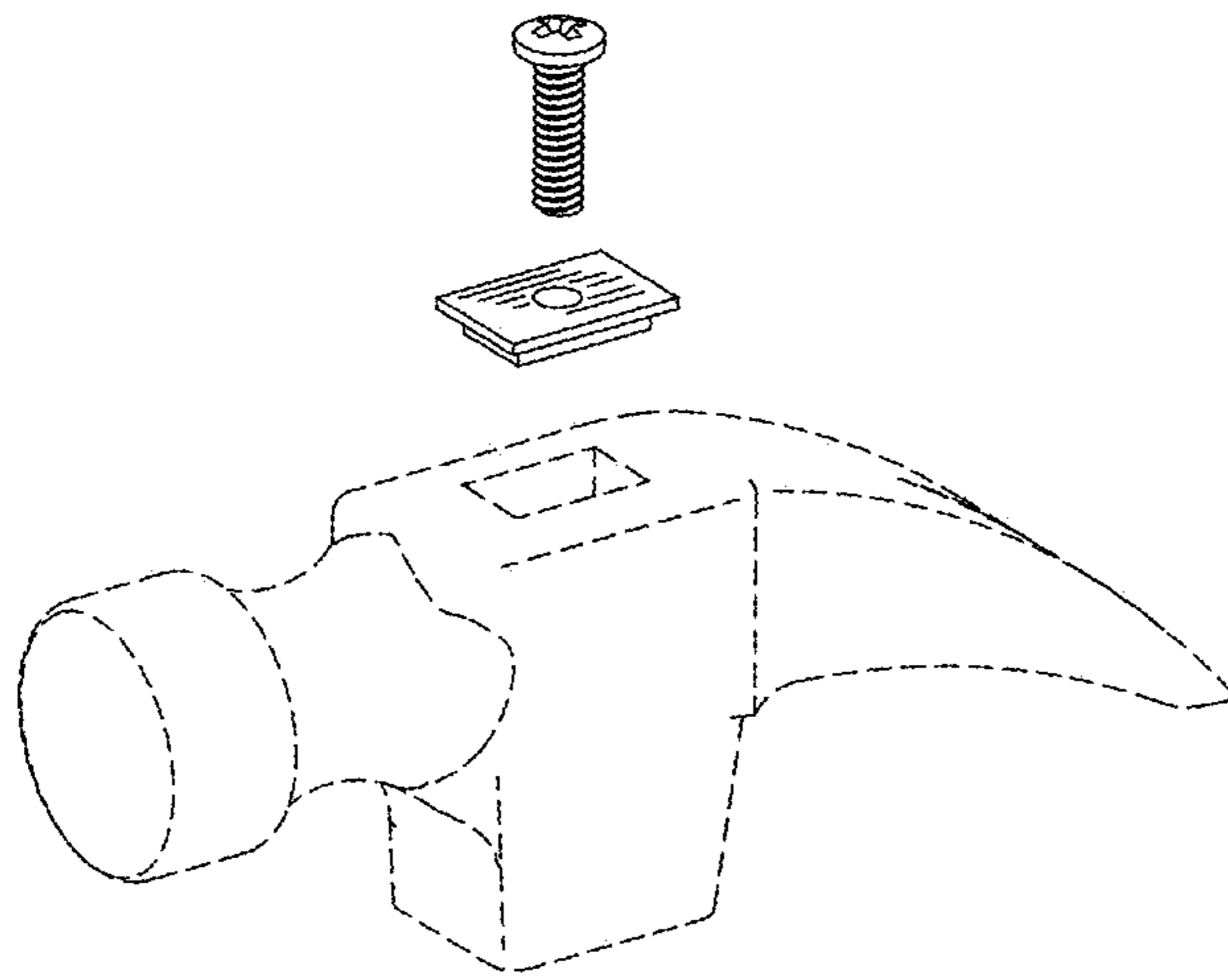


Fig 1

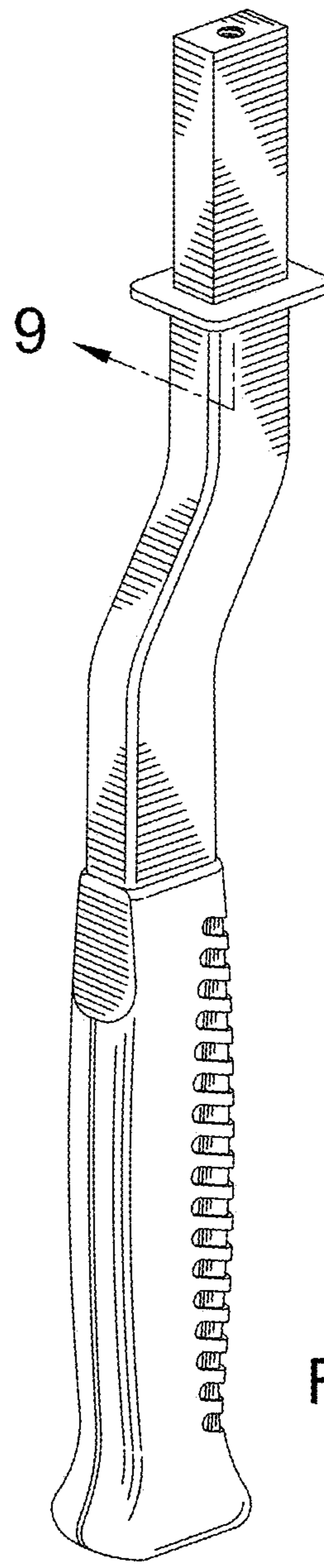
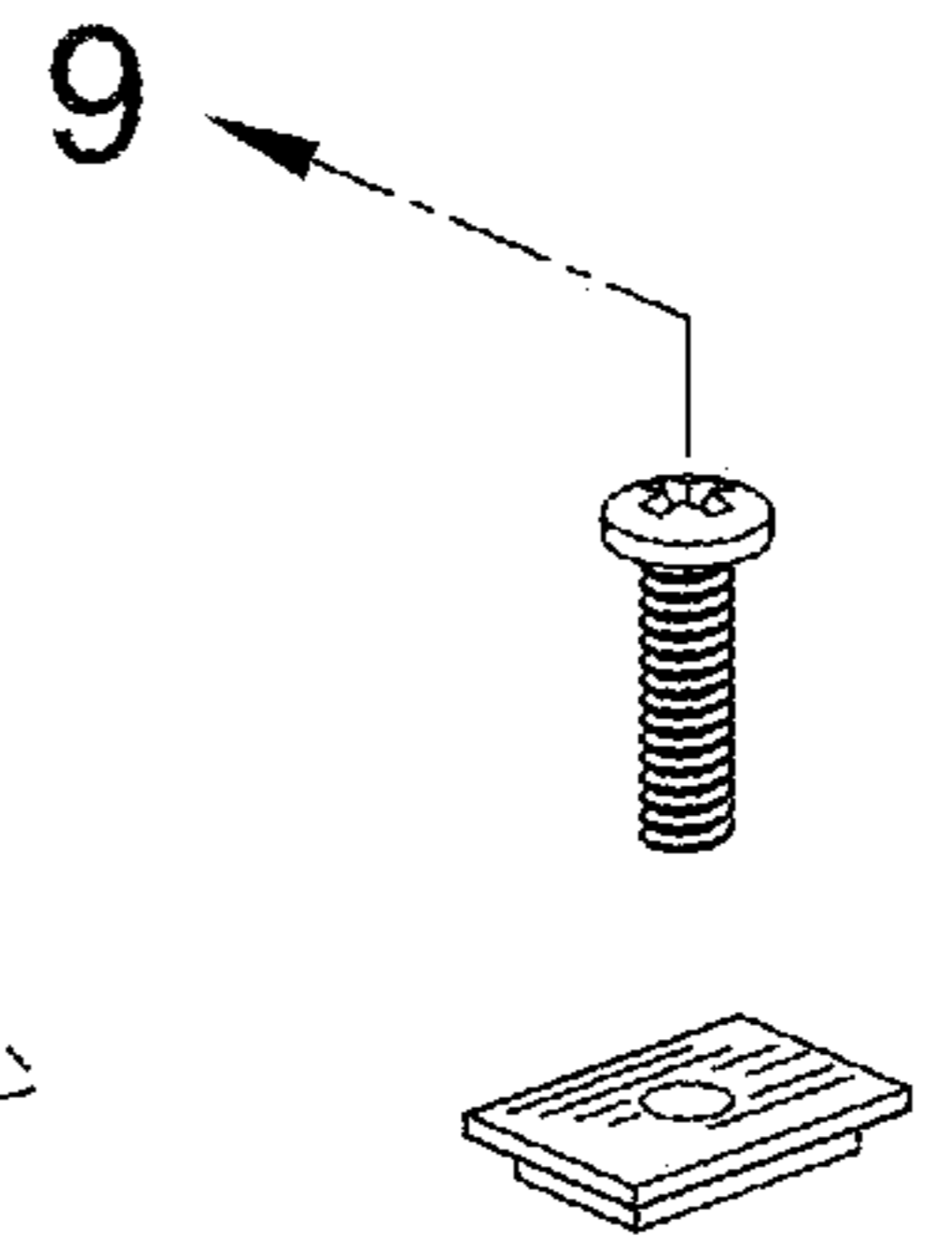
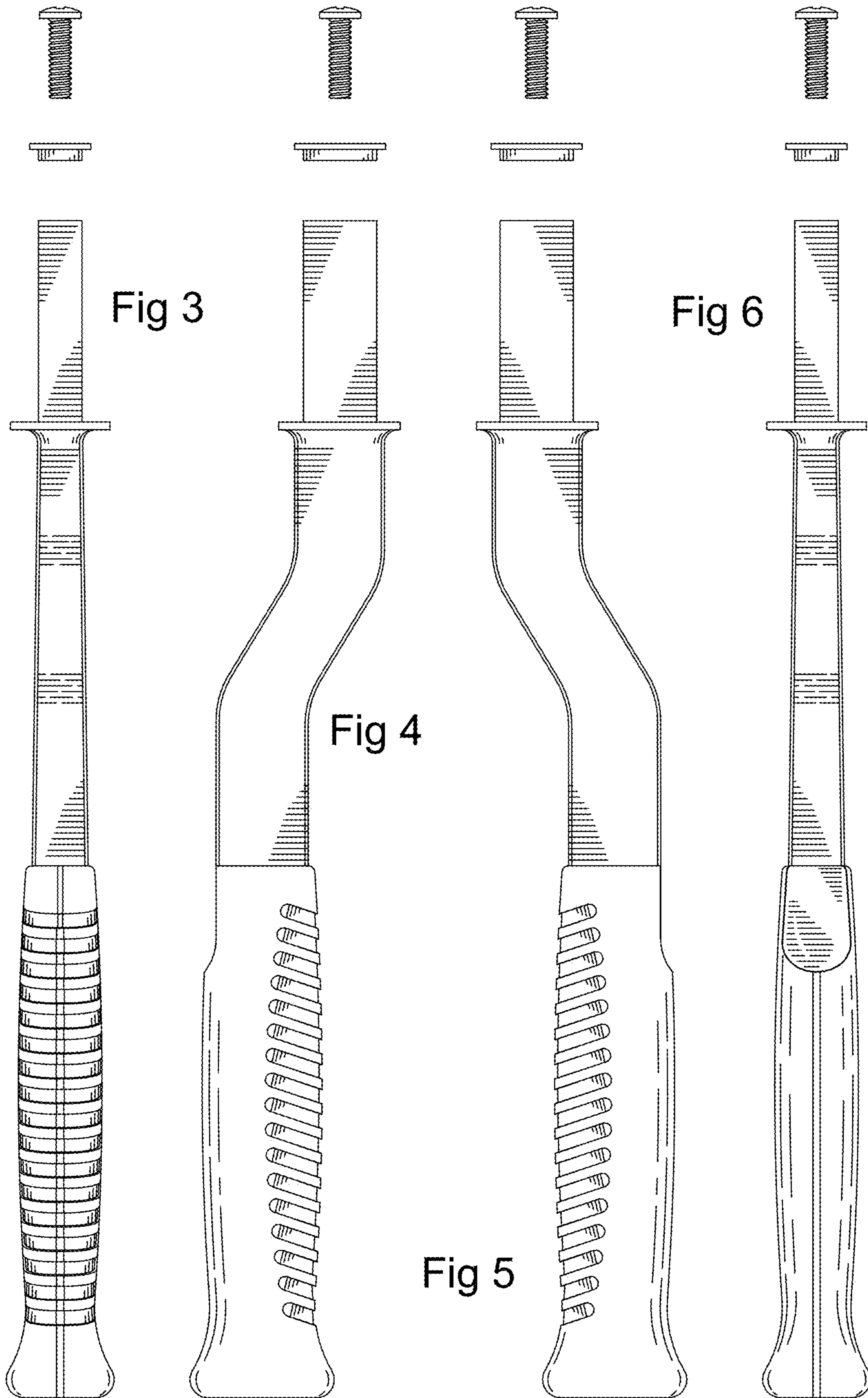


Fig 2



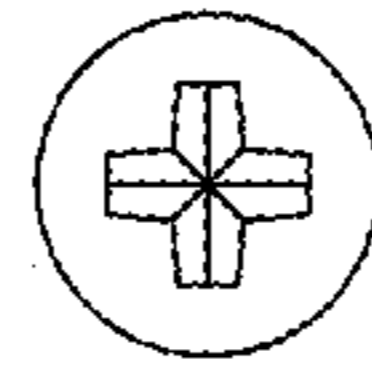
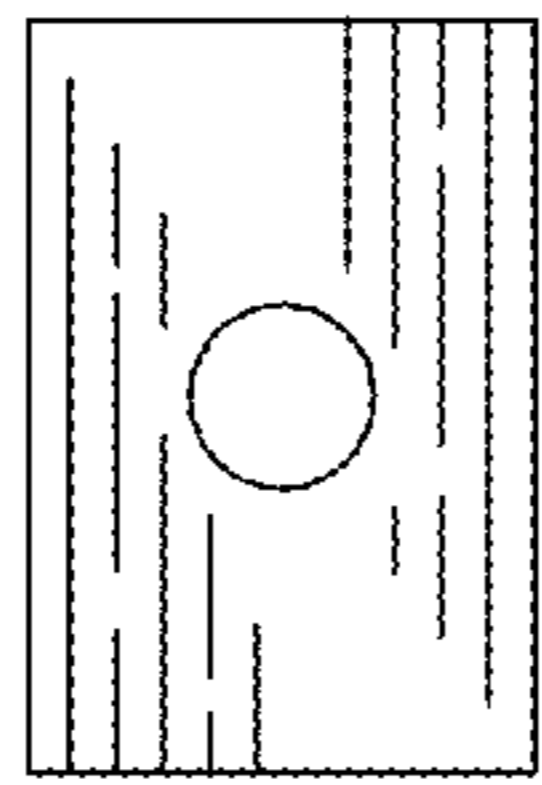
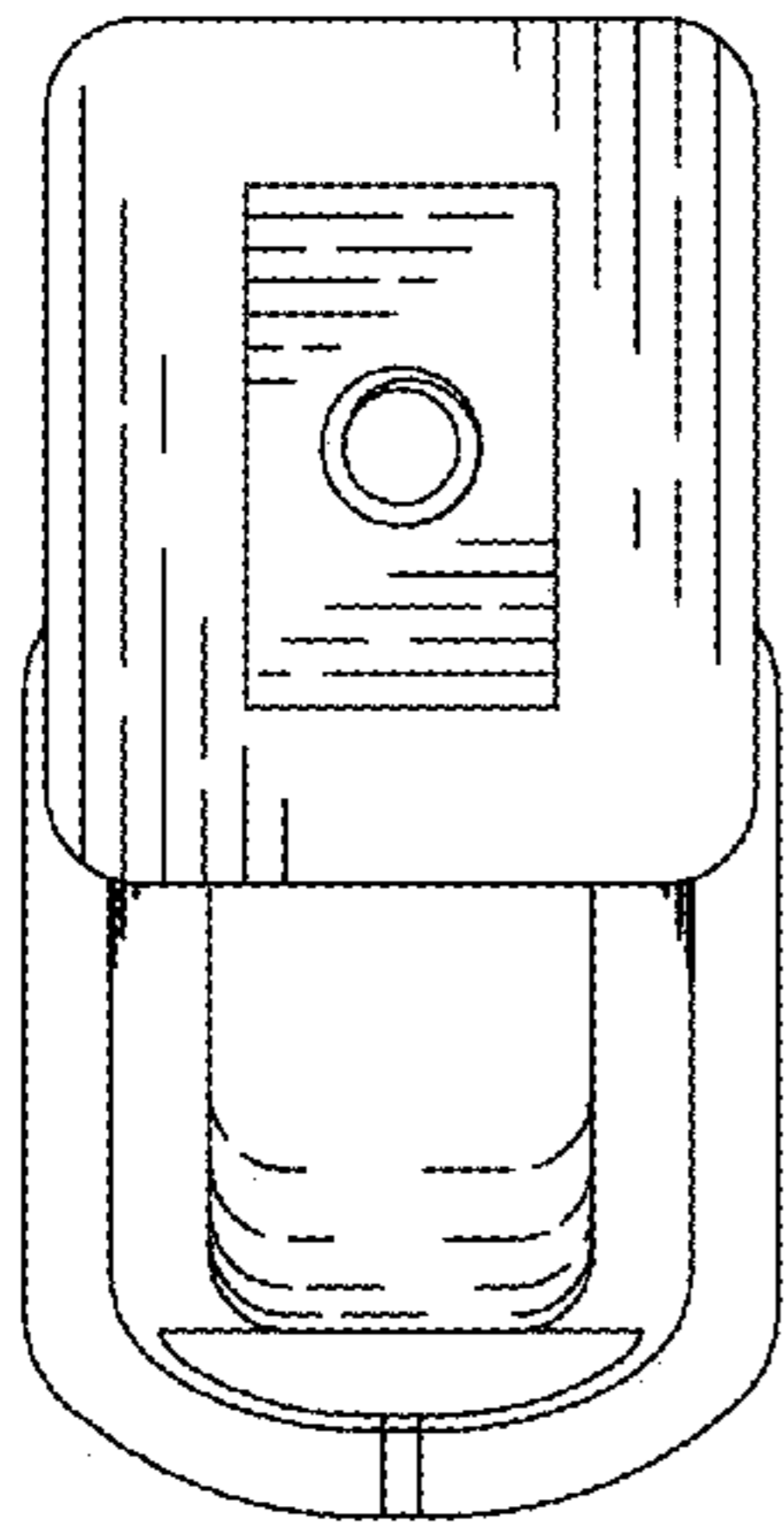


Fig 7

Fig 8

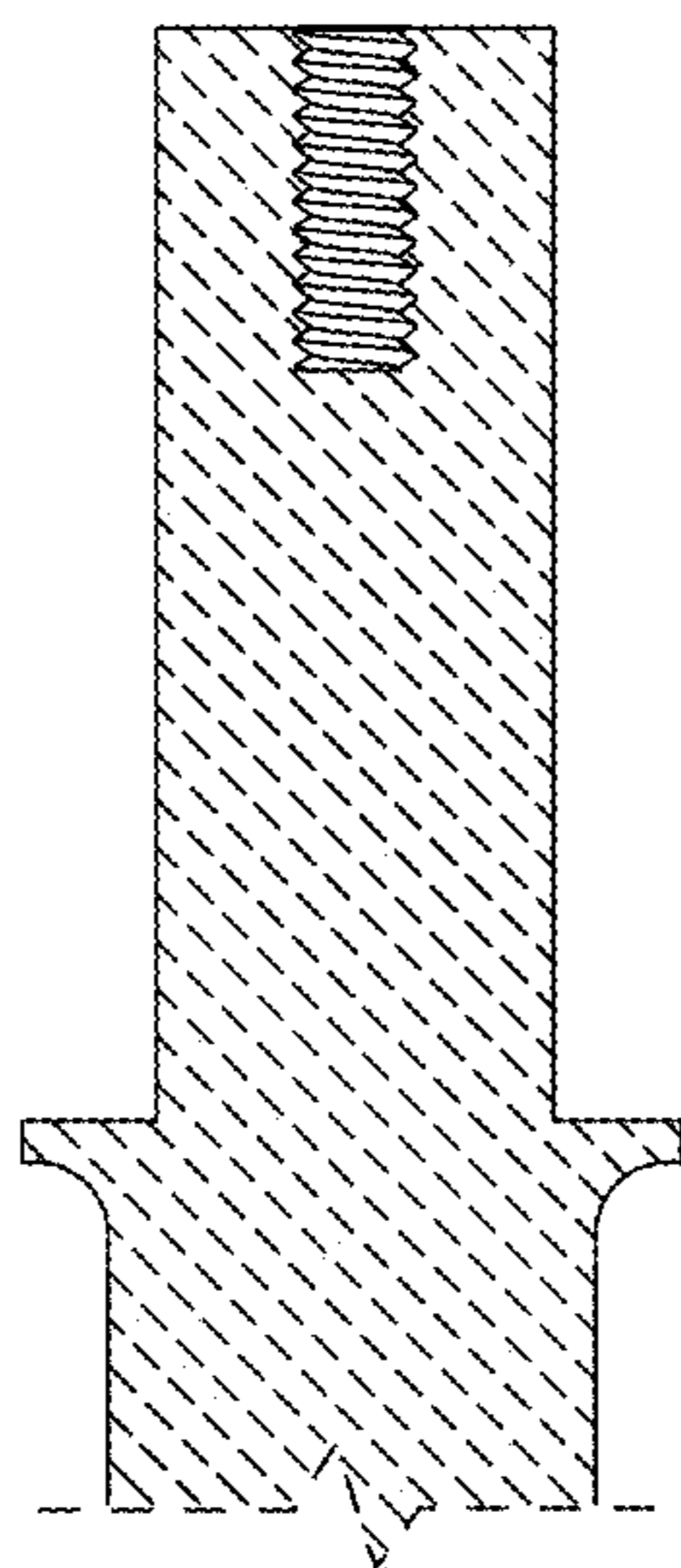
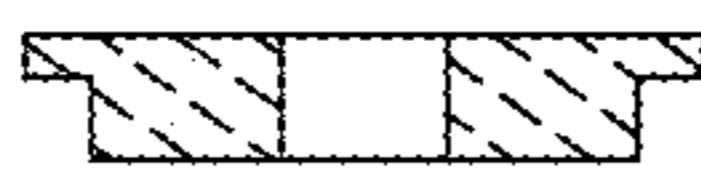
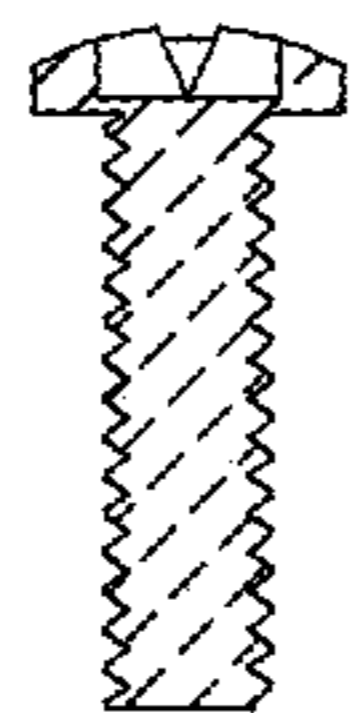
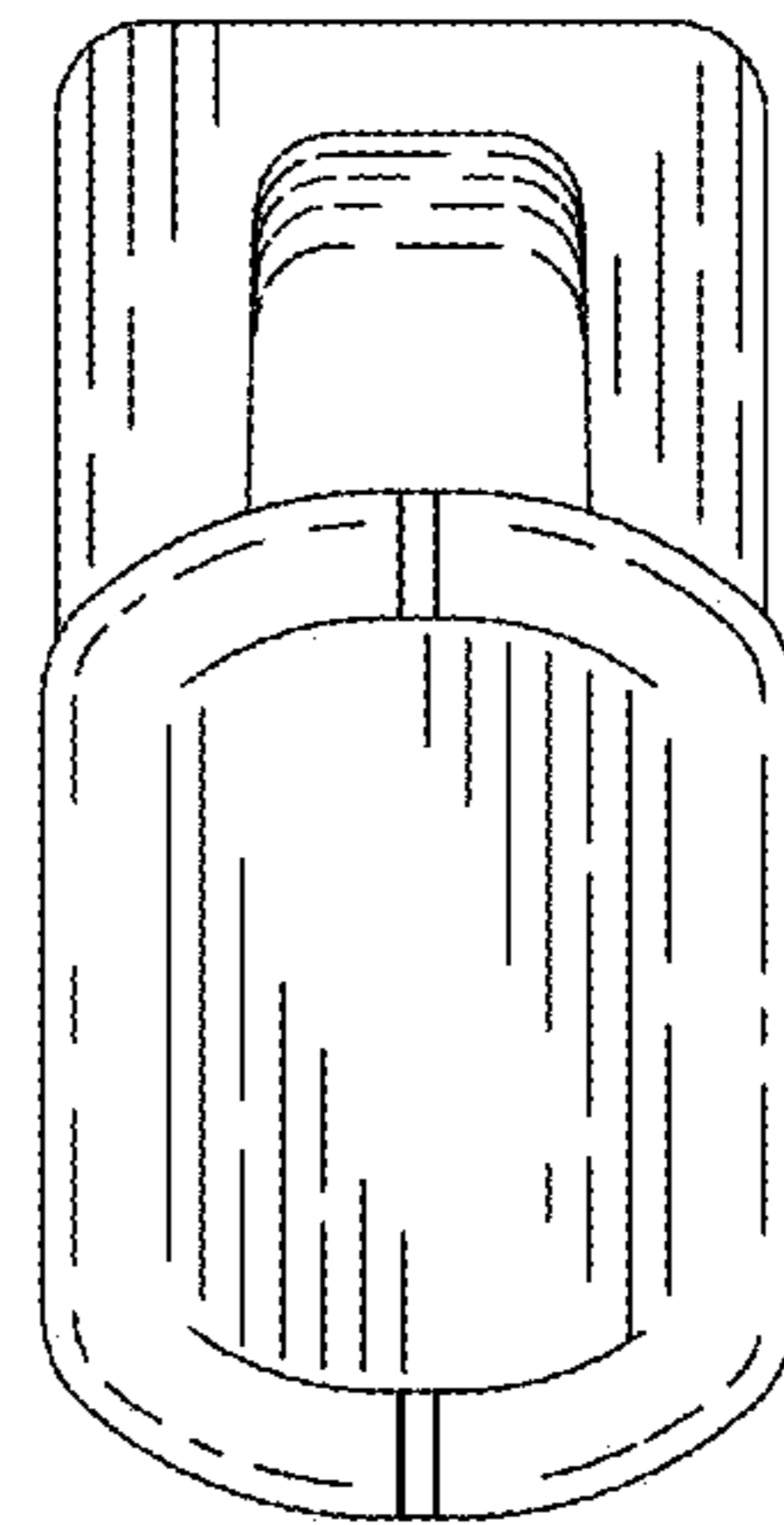
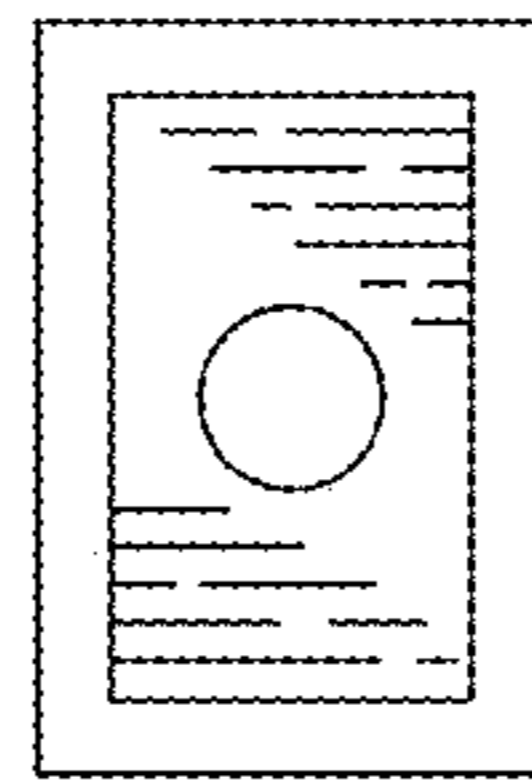
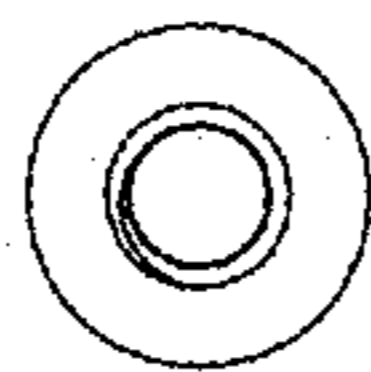


Fig 9