



US00D932860S

(12) **United States Design Patent**
Manning

(10) **Patent No.:** **US D932,860 S**
(45) **Date of Patent:** **** Oct. 12, 2021**

(54) **HAMMER**

(71) Applicant: **John Manning**, Abington, MA (US)

(72) Inventor: **John Manning**, Abington, MA (US)

(73) Assignee: **MJ-Hammer, LLC**, Austin, TX (US)

(**) Term: **15 Years**

(21) Appl. No.: **29/708,994**

(22) Filed: **Oct. 10, 2019**

Related U.S. Application Data

(63) Continuation-in-part of application No. 15/708,752, filed on Sep. 19, 2017, now Pat. No. 10,543,589.

(51) **LOC (13) Cl.** **08-02**

(52) **U.S. Cl.**
USPC **D8/78**

(58) **Field of Classification Search**
USPC D8/75, 76, 77, 78, 79, 80, 81, 105, 107
(Continued)

(56) **References Cited**

U.S. PATENT DOCUMENTS

1,822,394 A 9/1931 Ferguson
2,960,133 A * 11/1960 Shepherd, Jr. B25D 1/00
81/22

(Continued)

Primary Examiner — Philip S Hyder

(74) *Attorney, Agent, or Firm* — Pandiscio & Pandiscio

(57) **CLAIM**

The ornamental design for a hammer, as shown and described.

DESCRIPTION

FIG. 1 is a top, right side perspective view of a first embodiment of the hammer;

FIG. 2 is a top, left side perspective view of the first embodiment of the hammer;

FIG. 3 is a right side view of the first embodiment of the hammer, taken from the frame of reference of FIG. 1;

FIG. 4 is a left side view of the first embodiment of the hammer, taken from the frame of reference of FIG. 1;

FIG. 5 is an end view of the rear end of the first embodiment of the hammer, taken from the frame of reference of FIG. 1;

FIG. 6 is an end view of the front end of the first embodiment of the hammer, taken from the frame of reference of FIG. 1;

FIG. 7 is a top view of the first embodiment of the hammer, taken from the frame of reference of FIG. 1;

FIG. 8 is a bottom view of the first embodiment of the hammer, taken from the frame of reference of FIG. 1;

FIG. 9 is a top, right side perspective view of a second embodiment of the hammer;

FIG. 10 is a top, left side perspective view of the second embodiment of the hammer;

FIG. 11 is a right side view of the second embodiment of the hammer, taken from the frame of reference of FIG. 9;

FIG. 12 is a left side view of the second embodiment of the hammer, taken from the frame of reference of FIG. 9;

FIG. 13 is an end view of the rear end of the second embodiment of the hammer, taken from the frame of reference of FIG. 9;

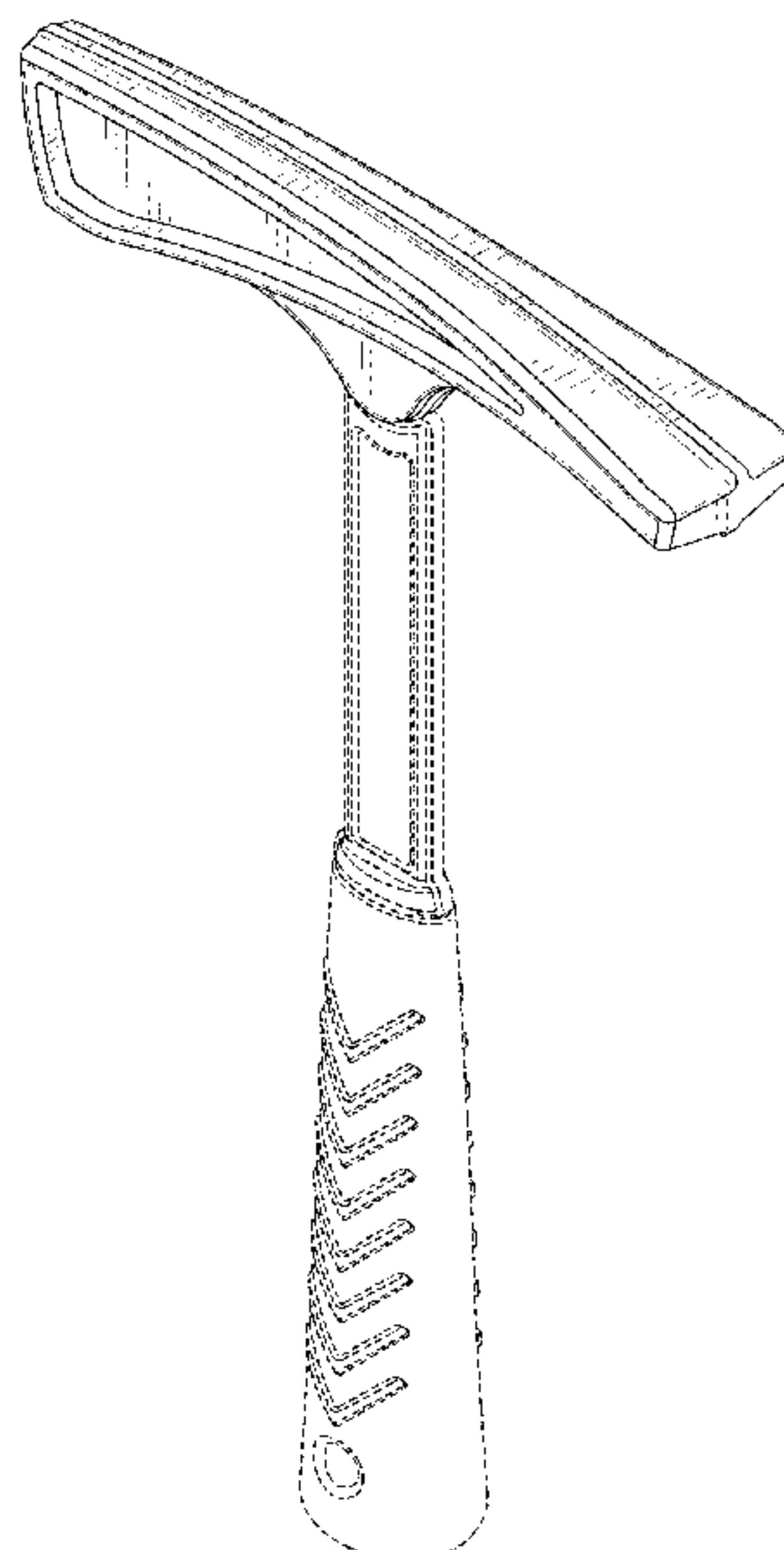
FIG. 14 is an end view of the front end of the second embodiment of the hammer, taken from the frame of reference of FIG. 9;

FIG. 15 is a top view of the second embodiment of the hammer, taken from the frame of reference of FIG. 9; and,

FIG. 16 is a bottom view of the second embodiment of the hammer, taken from the frame of reference of FIG. 9.

The broken lines are included for the purpose of illustrating unclaimed portions of the hammer and form no part of the claimed design.

1 Claim, 16 Drawing Sheets



(58) **Field of Classification Search**

CPC ... B25D 1/00; B25D 1/02; B25D 1/04; B25D
1/045; B25D 1/06; B25D 1/10; B25D
1/12; B25G 1/102

See application file for complete search history.

(56) **References Cited**

U.S. PATENT DOCUMENTS

3,712,284	A *	1/1973	Porter	B25D 1/00 125/40
D318,998	S *	8/1991	Osborne	D8/81
D478,265	S *	8/2003	Chen	D8/76
D522,340	S *	6/2006	Hung	D8/76
D540,646	S *	4/2007	Youngren	D8/78
D600,523	S *	9/2009	Adams	D8/75
D601,398	S *	10/2009	Youngren	D8/78
7,694,392	B2	4/2010	Touchette		
D672,218	S *	12/2012	Youngren	D8/78
D809,891	S *	2/2018	Bullard	B21D 31/06 D8/75
2018/0079060	A1 *	3/2018	Manning	B21D 39/04

* cited by examiner

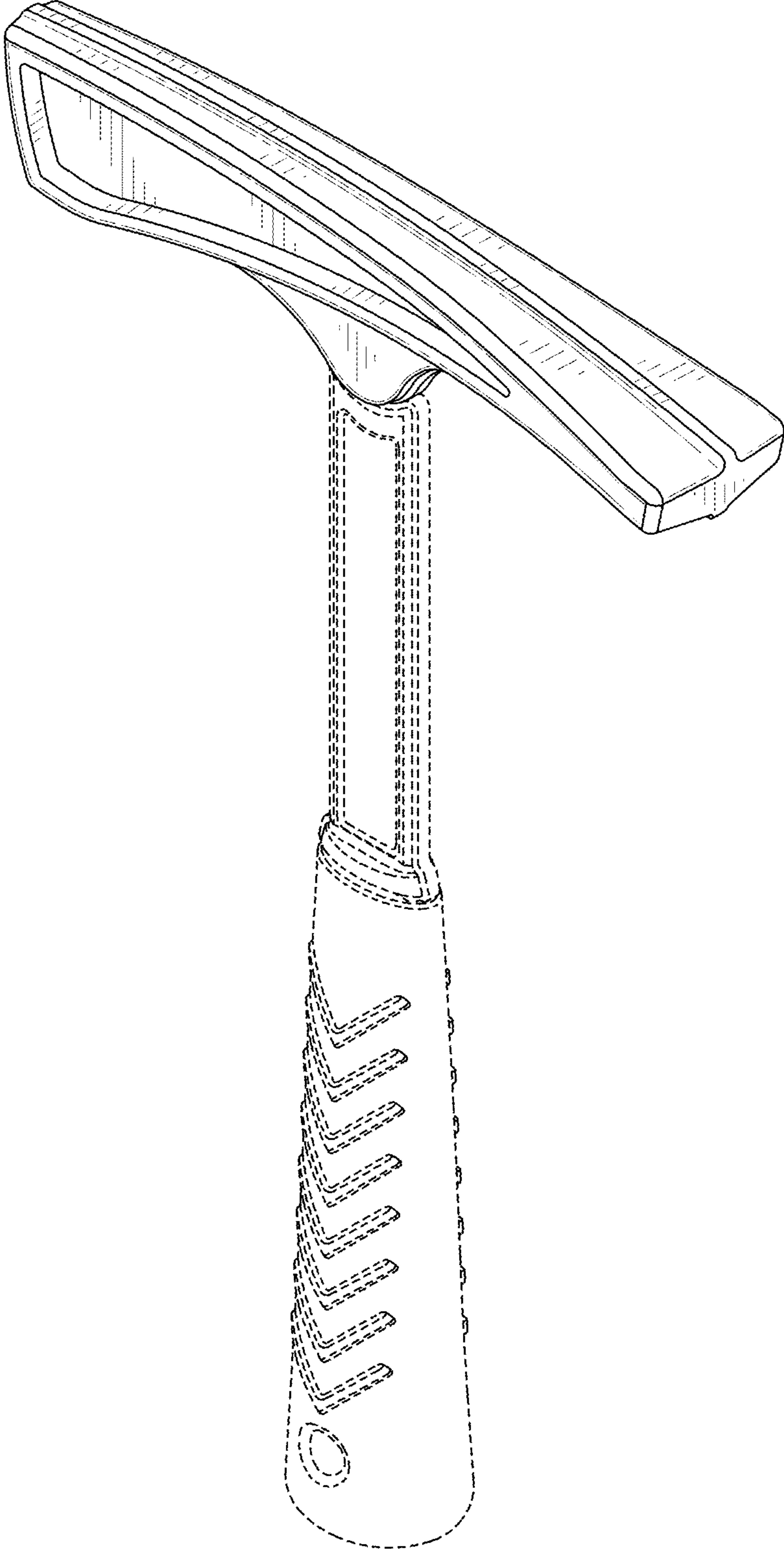


FIG. 1

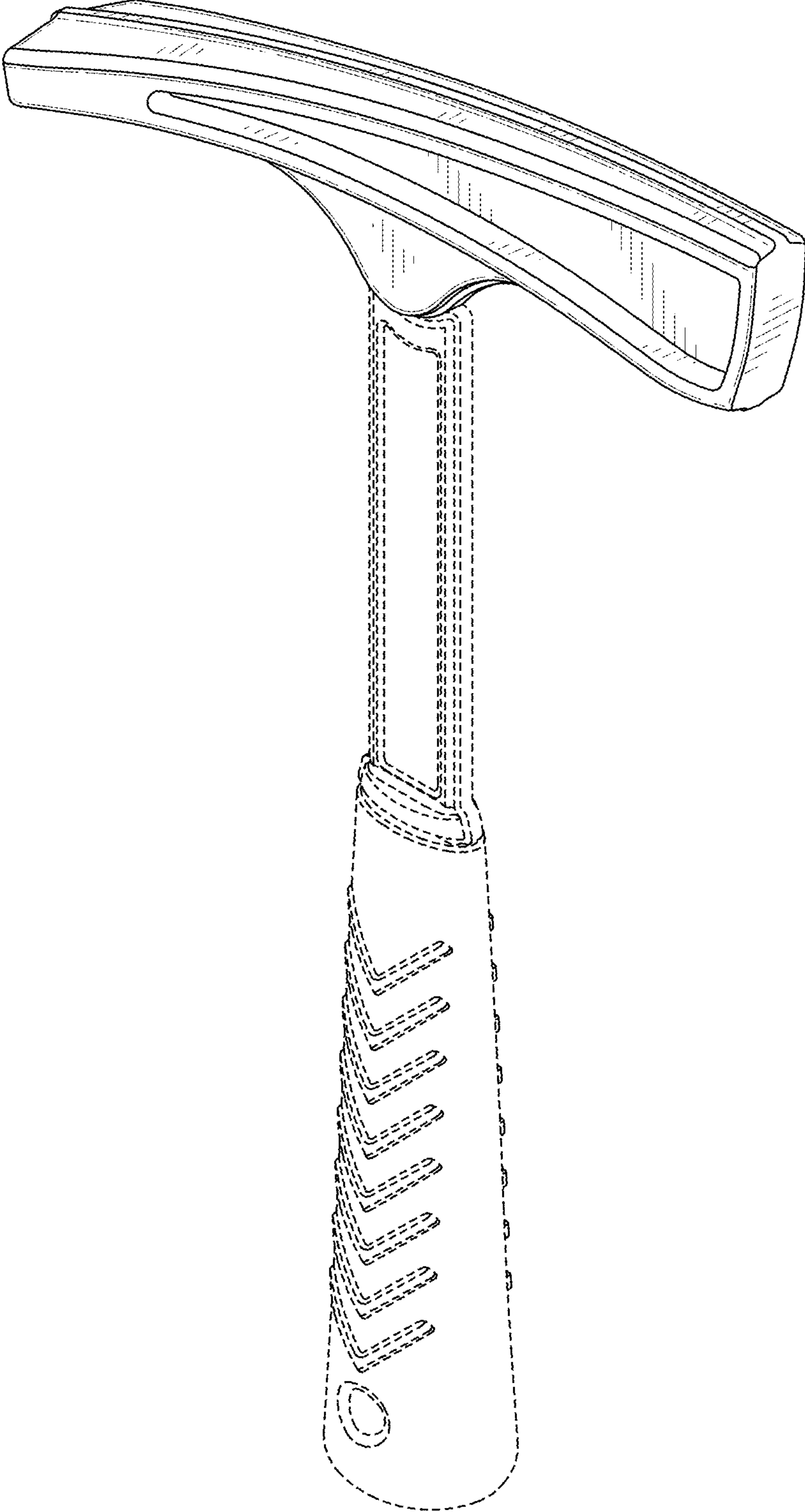


FIG. 2

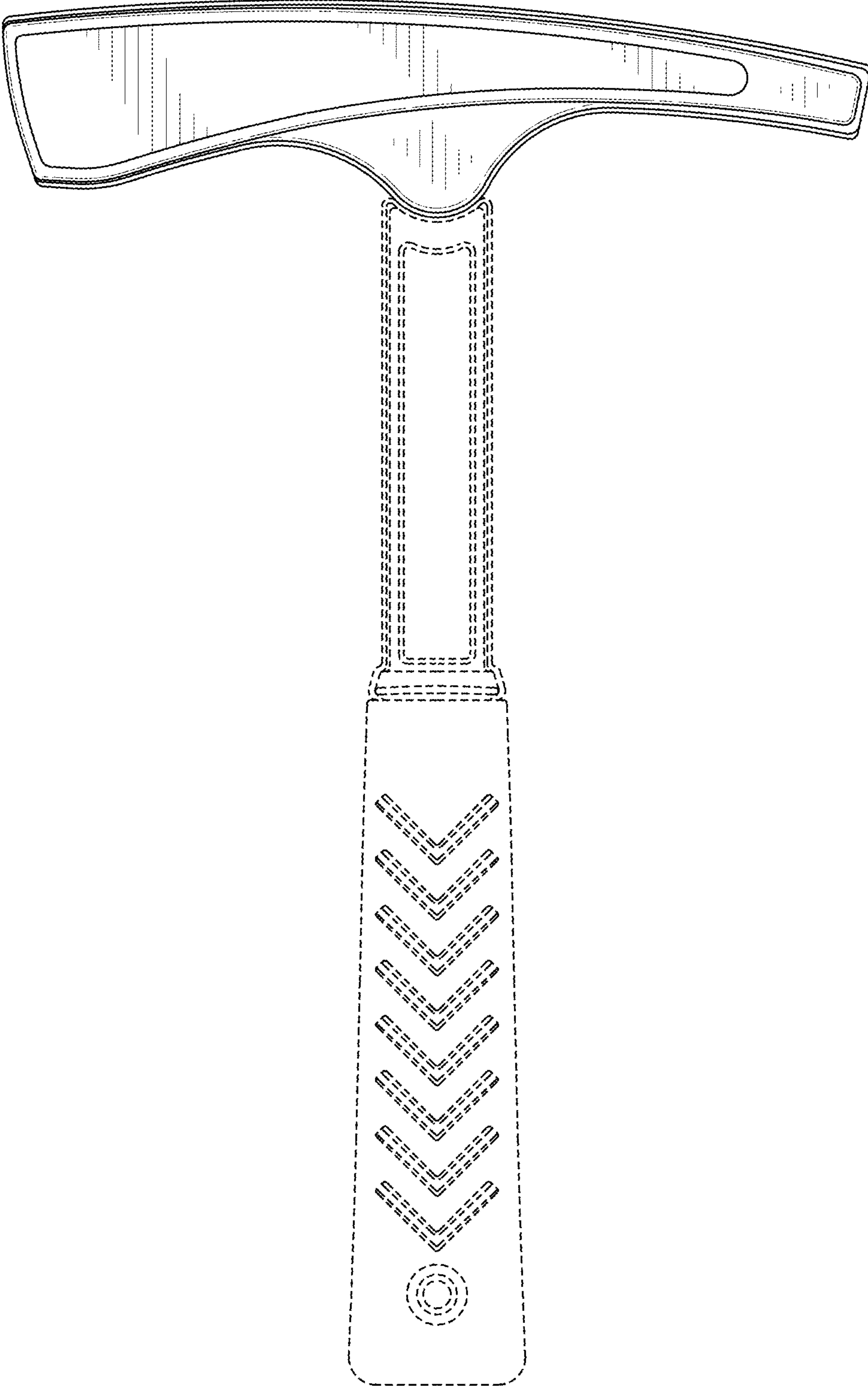


FIG. 3

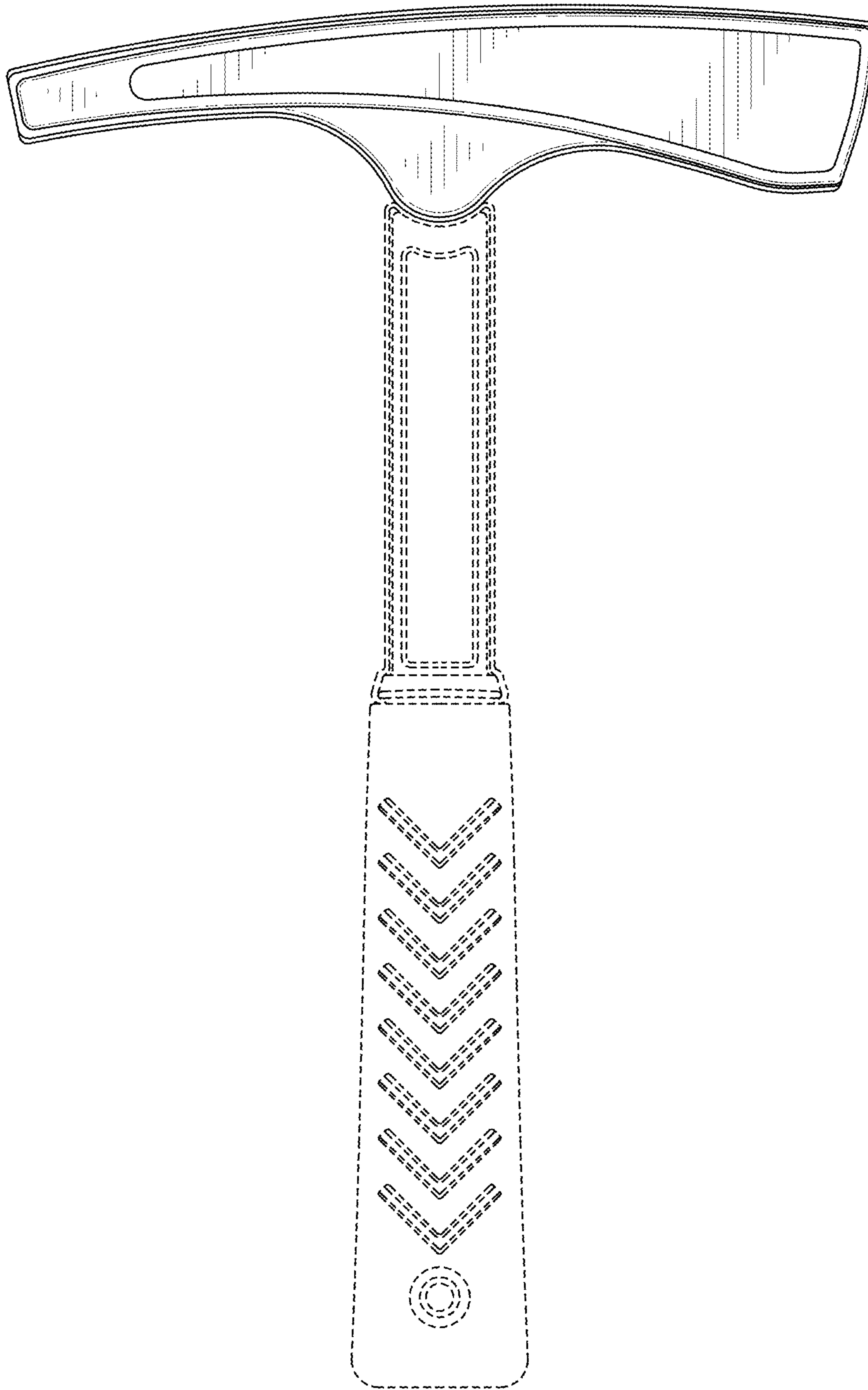


FIG. 4

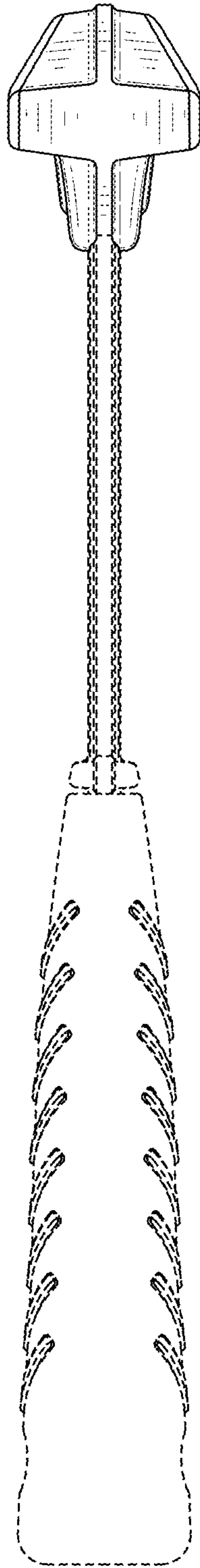


FIG. 5

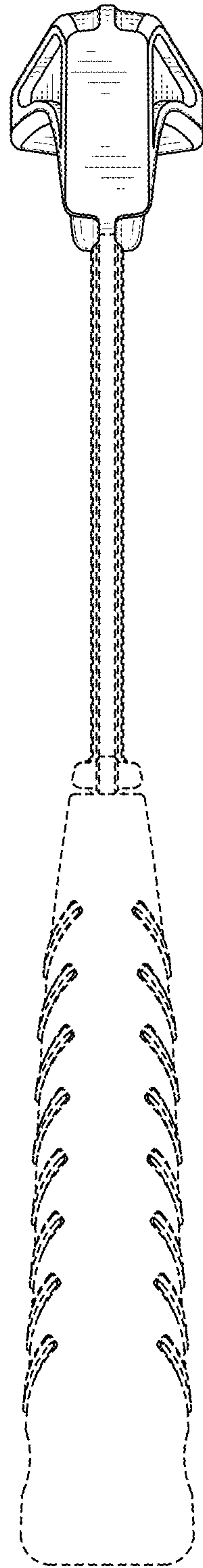


FIG. 6

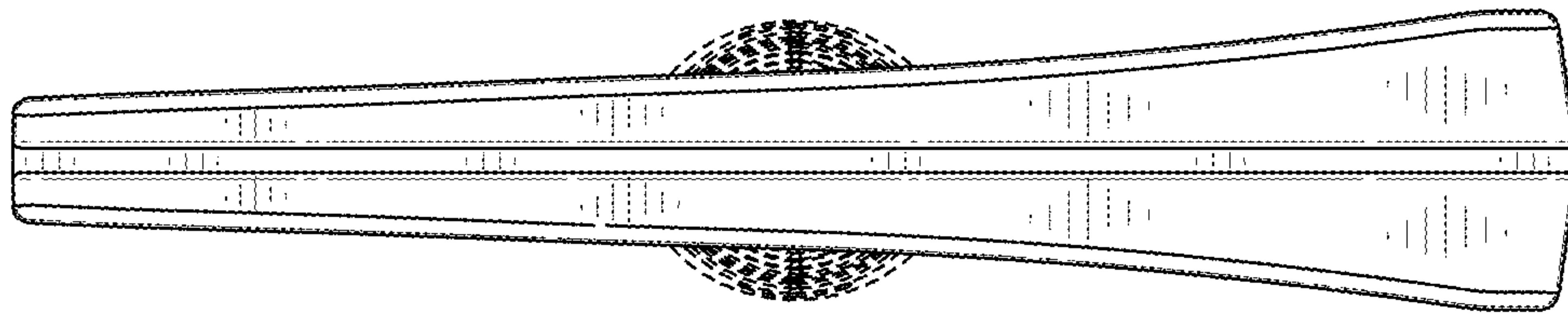


FIG. 7

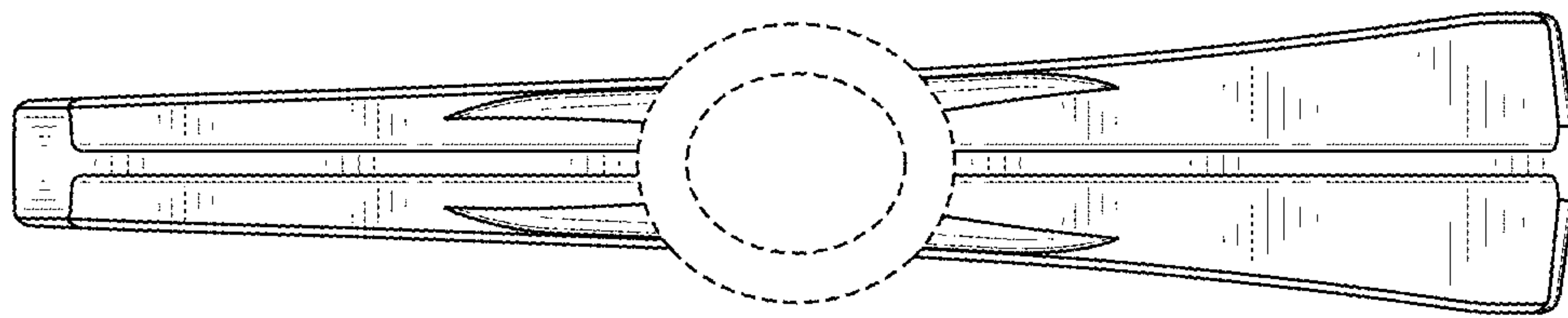


FIG. 8

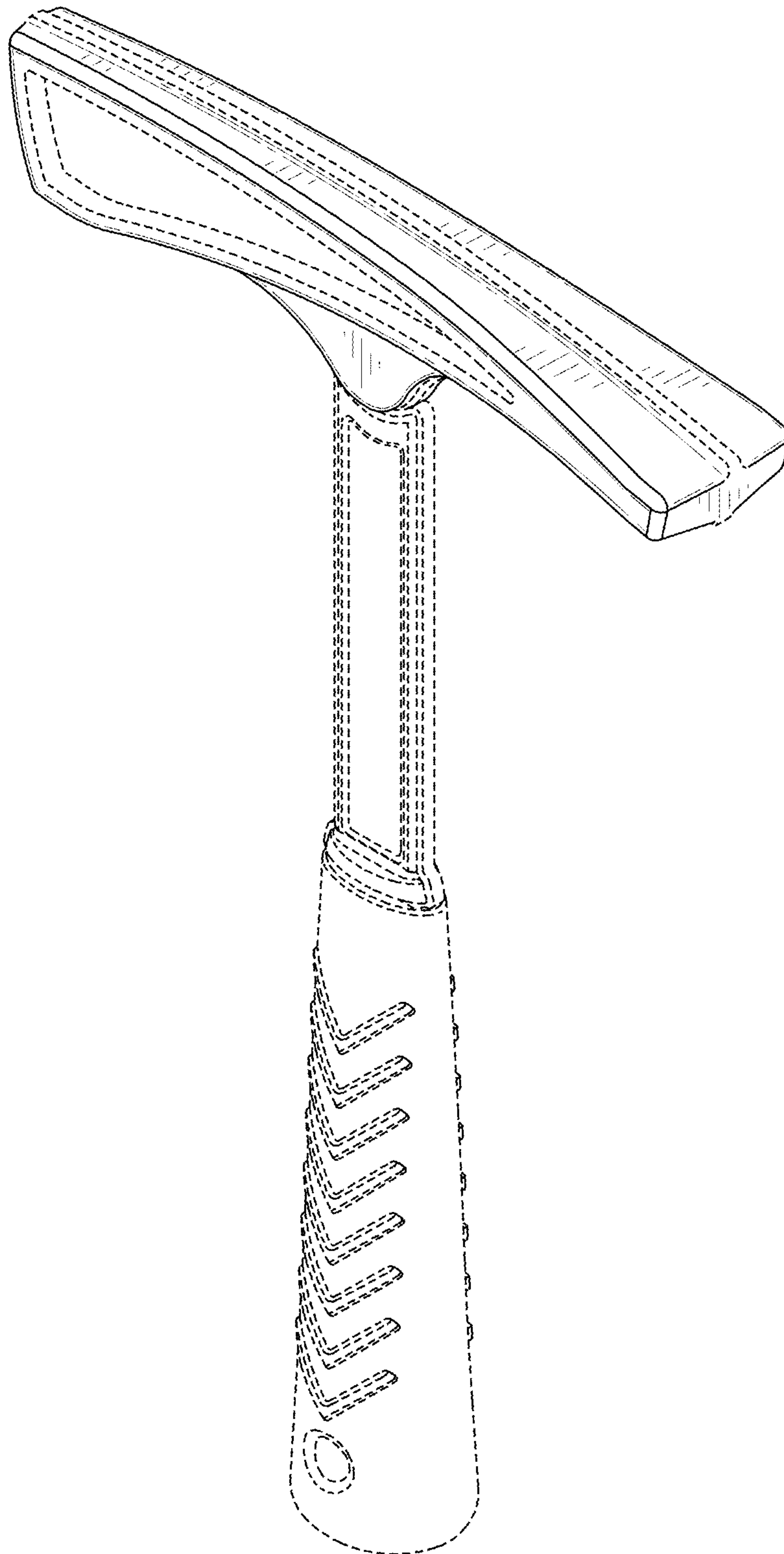


FIG. 9

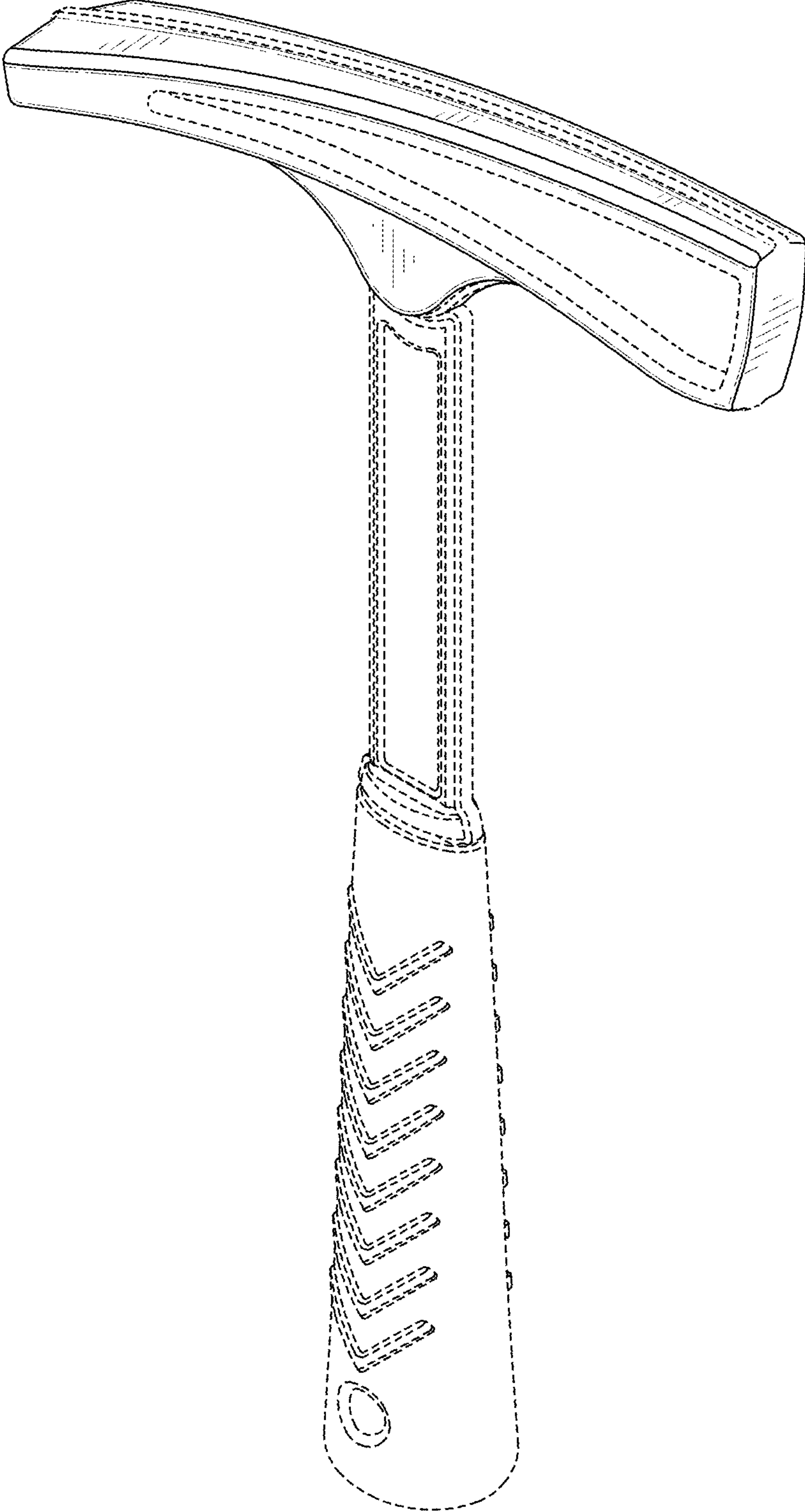


FIG. 10

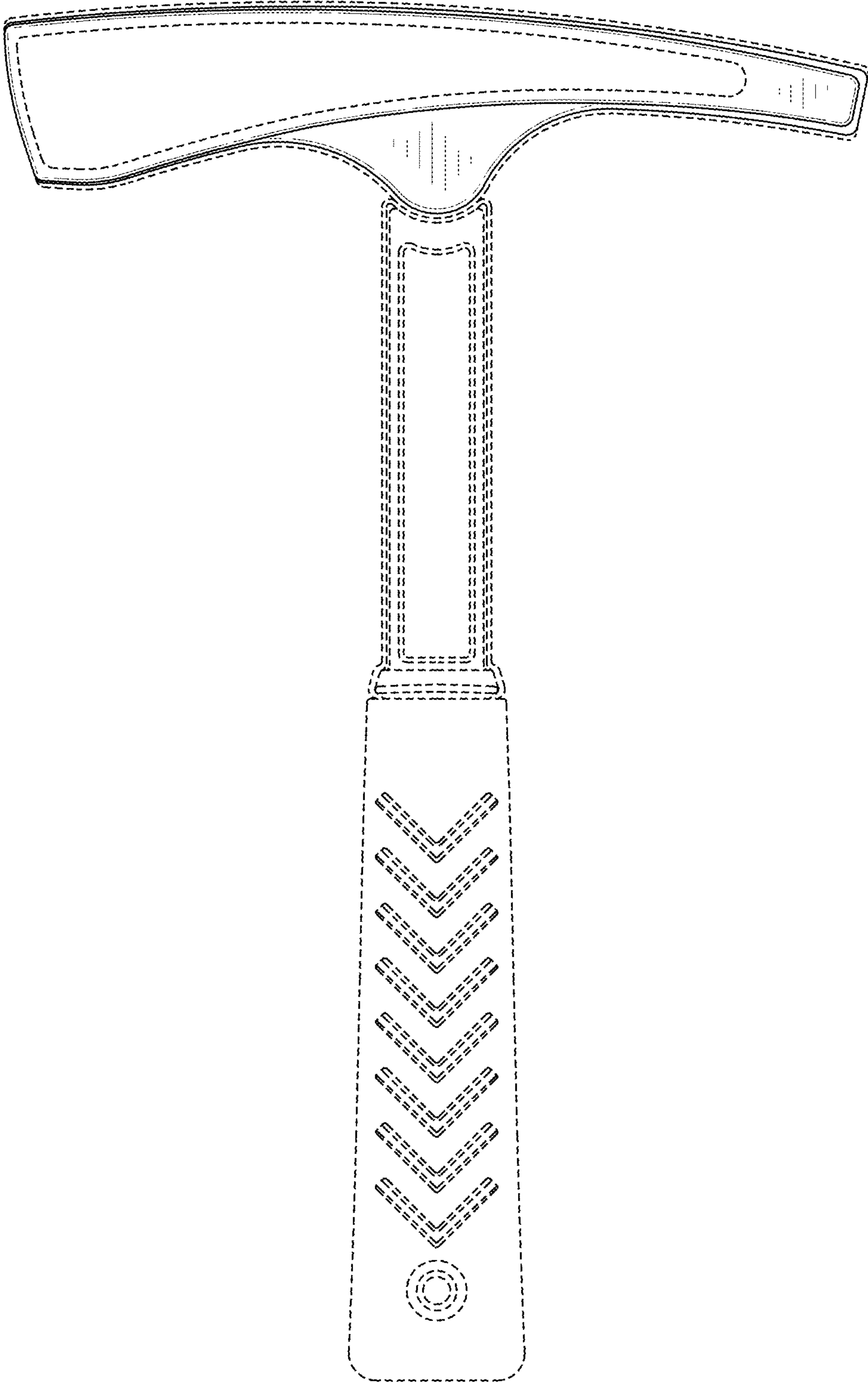


FIG. 11

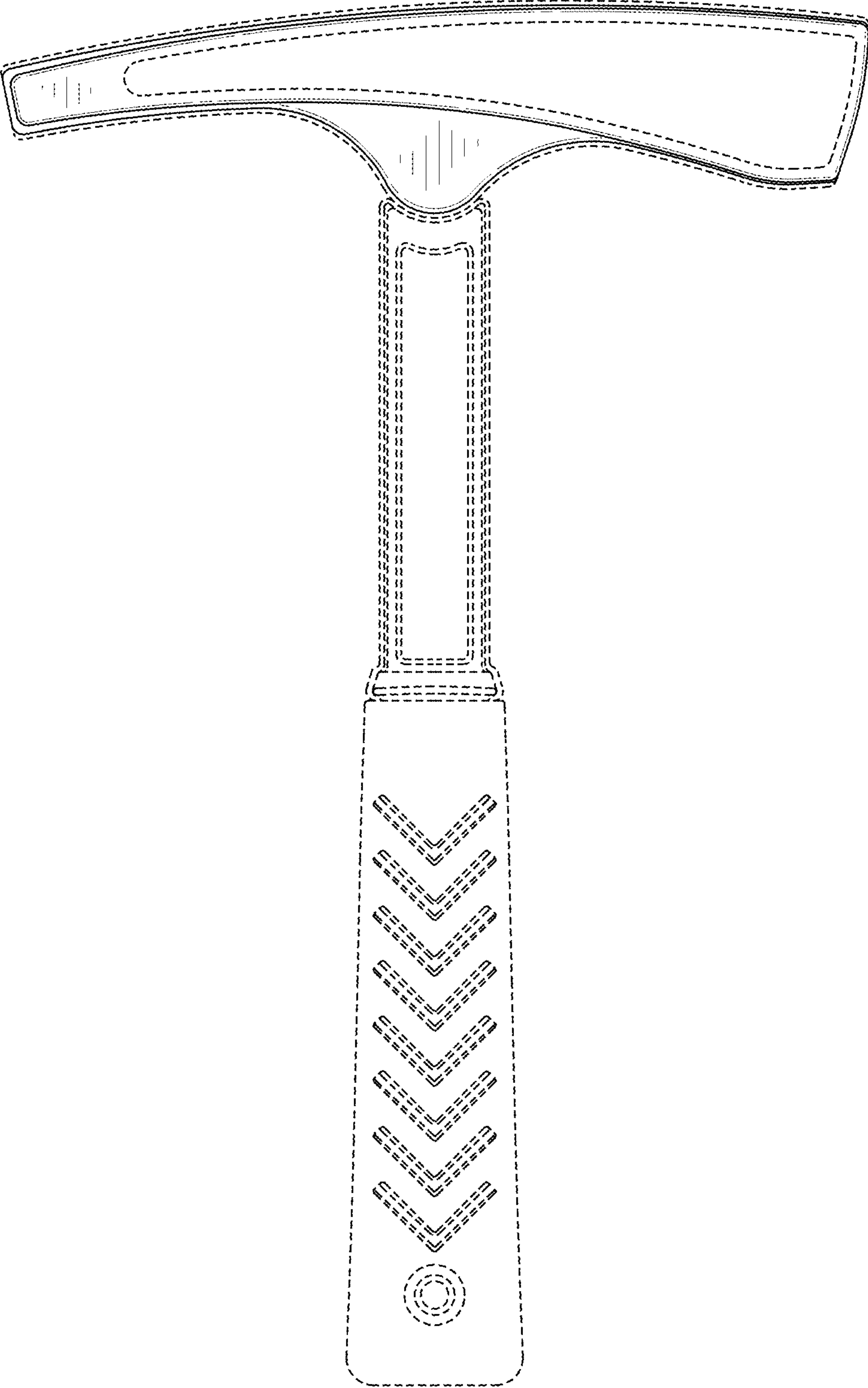


FIG. 12

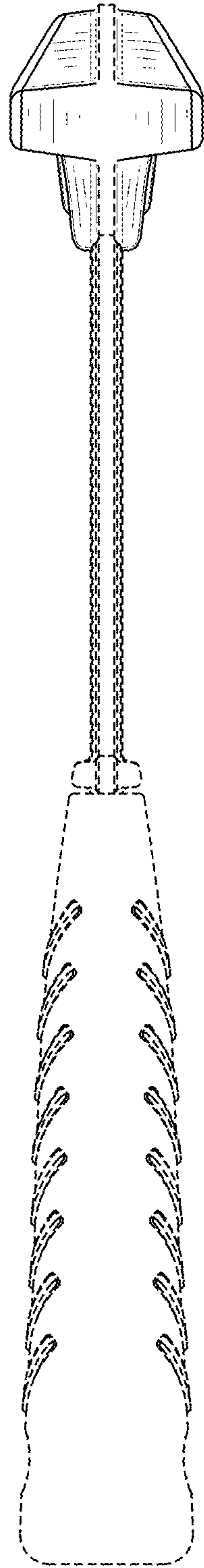


FIG. 13

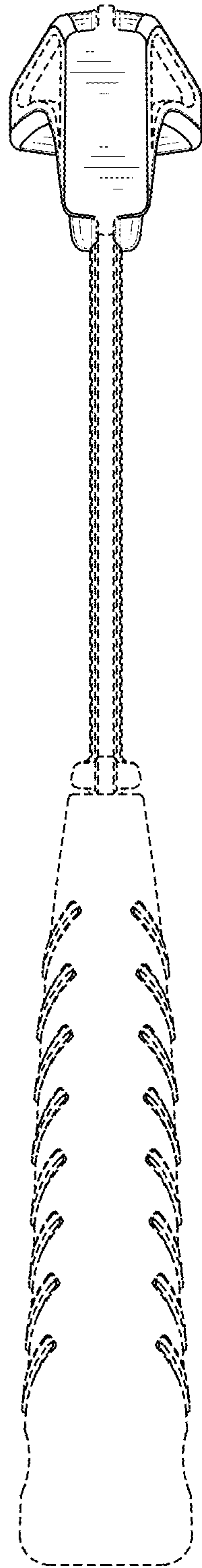


FIG. 14

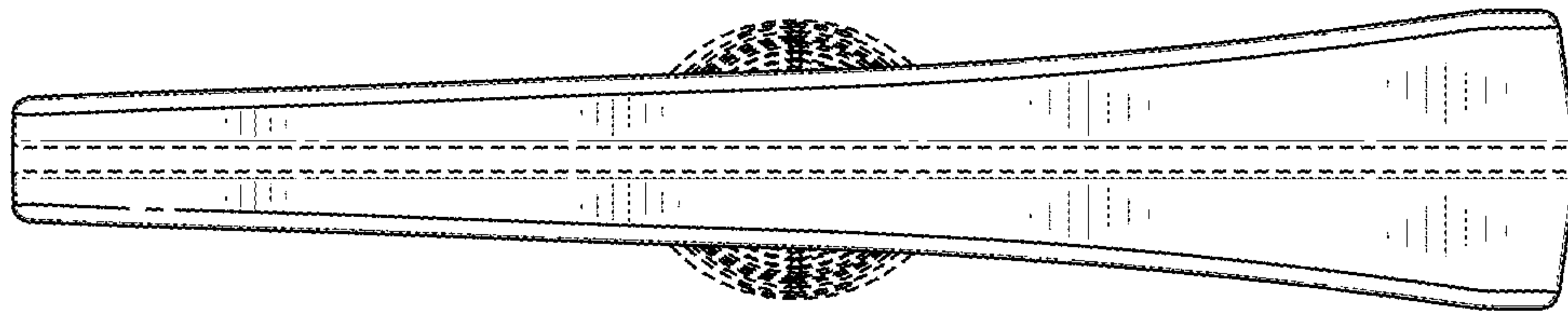


FIG. 15

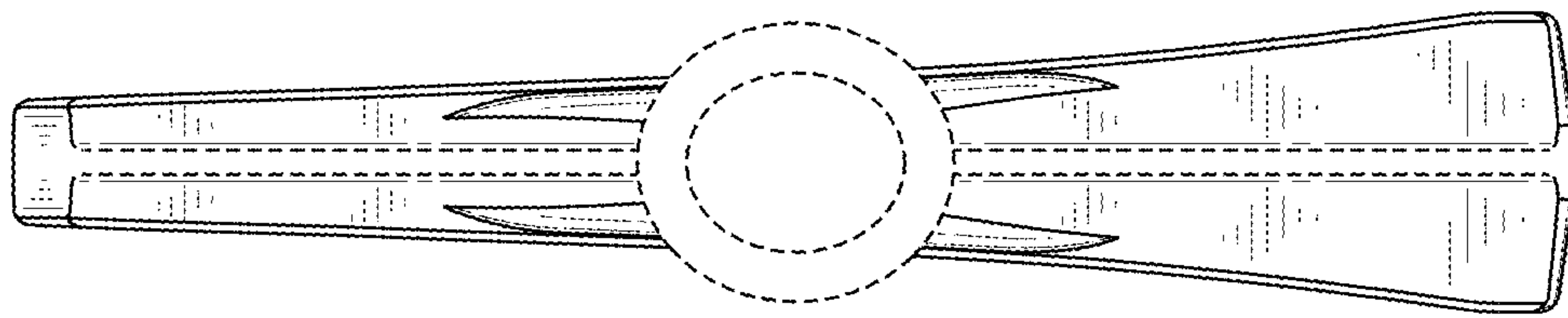


FIG. 16