



US00D932859S

(12) **United States Design Patent**
Monroe

(10) **Patent No.:** **US D932,859 S**
(45) **Date of Patent:** **** Oct. 12, 2021**

- (54) **BALL LOCK ASSEMBLY**
- (71) Applicant: **Diversified Metal Fabricators, Inc.**,
Atlanta, GA (US)
- (72) Inventor: **Timothy Alwin Monroe**, Atlanta, GA
(US)
- (73) Assignee: **DIVERSIFIED METAL
FABRICATORS, INC.**, Atlanta, GA
(US)
- (**) Term: **15 Years**
- (21) Appl. No.: **29/703,914**
- (22) Filed: **Aug. 30, 2019**
- (51) **LOC (13) Cl.** **08-05**
- (52) **U.S. Cl.**
USPC **D8/70**
- (58) **Field of Classification Search**
USPC D8/70, 29
CPC B23B 29/046; B23B 31/263; Y10T
279/17752; Y10T 82/2589
See application file for complete search history.

- 6,206,432 B1 * 3/2001 Kamiyama F16L 37/23
285/315
- D635,429 S * 4/2011 Hakki B23B 29/046
D8/70
- D684,833 S * 6/2013 Baumann B23B 31/1071
D8/70
- 9,089,901 B2 * 7/2015 White B23B 31/1071

* cited by examiner

Primary Examiner — Doris Clark

(74) *Attorney, Agent, or Firm* — Thomas|Horstemeyer,
LLP

(57) **CLAIM**

The ornamental design for a ball lock assembly, as shown
and described.

DESCRIPTION

FIG. 1 is a front perspective view of a ball lock assembly,
showing my new design;
FIG. 2 is a front view thereof;
FIG. 3 is a rear view thereof;
FIG. 4 is a side view thereof;
FIG. 5 is a side view thereof, opposite that of FIG. 4;
FIG. 6 is a top view thereof;
FIG. 7 is a bottom view thereof; and,
FIG. 8 is a rear perspective view thereof.

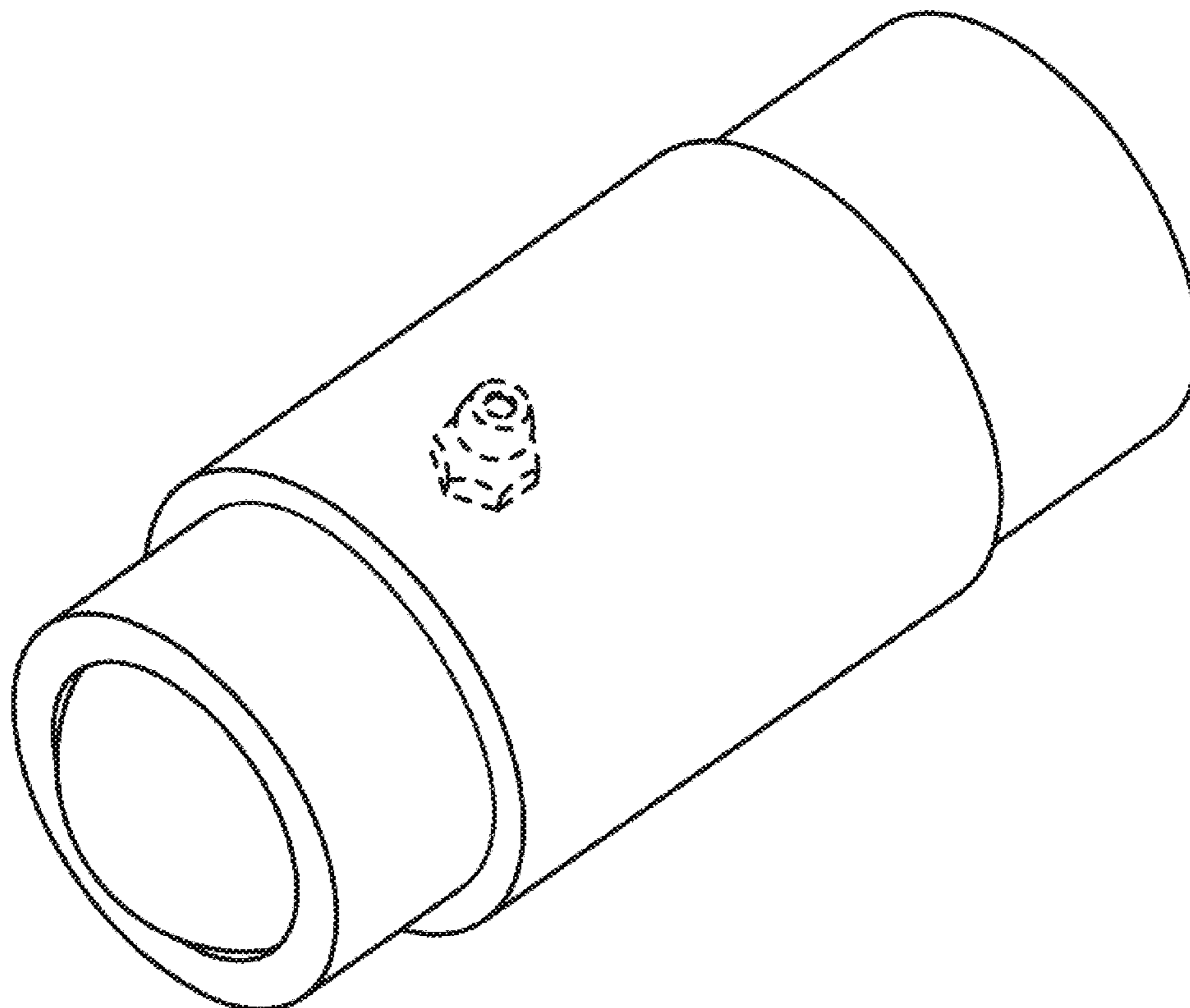
The broken lines depict unclaimed parts of the ball lock
assembly, and thus form no part of the claimed design.

1 Claim, 3 Drawing Sheets

(56) **References Cited**

U.S. PATENT DOCUMENTS

- 5,209,146 A * 5/1993 Armbrust B23B 29/046
279/2.23
- 5,279,194 A * 1/1994 Armbrust B23B 29/046
82/160



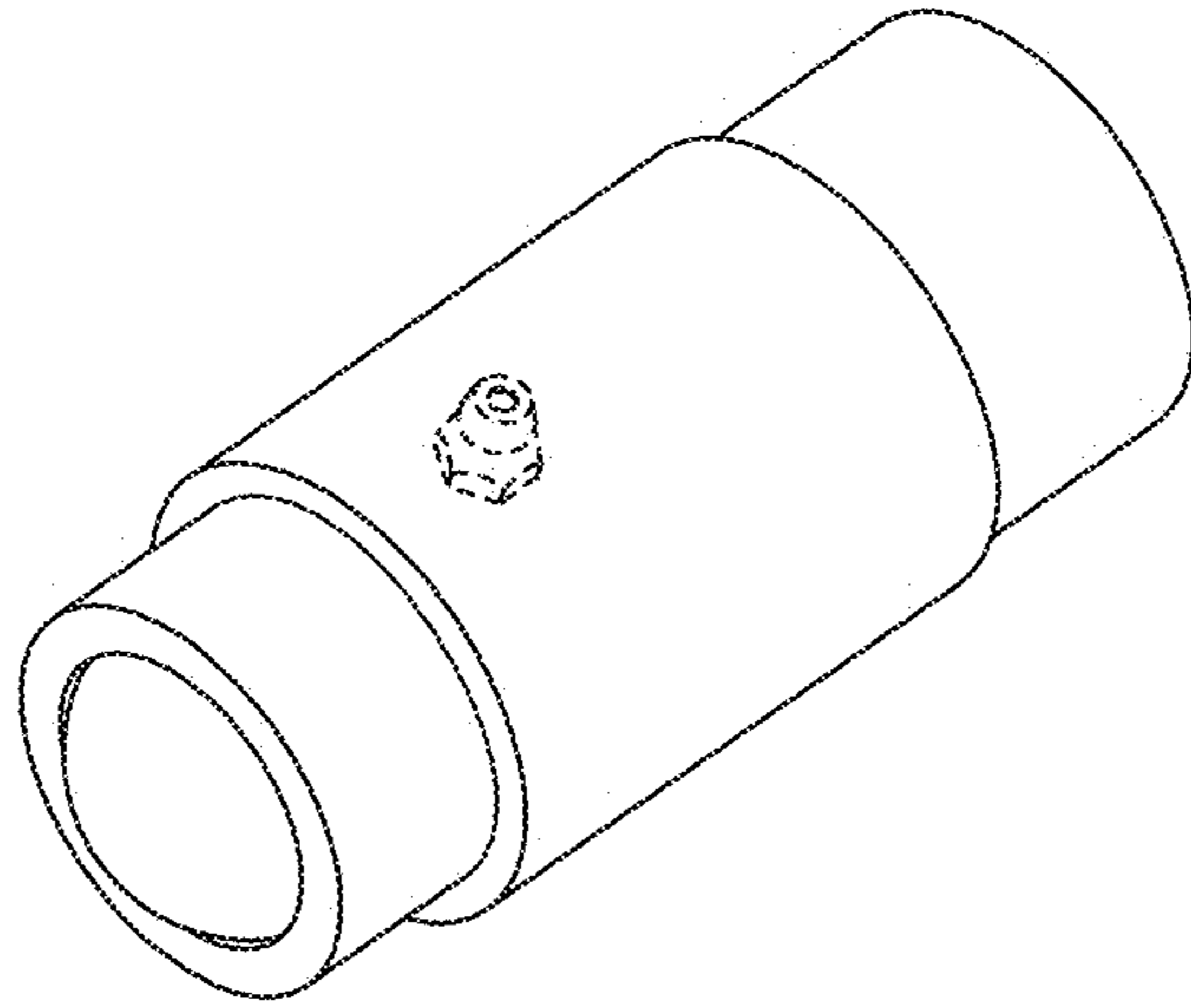


FIG. 1

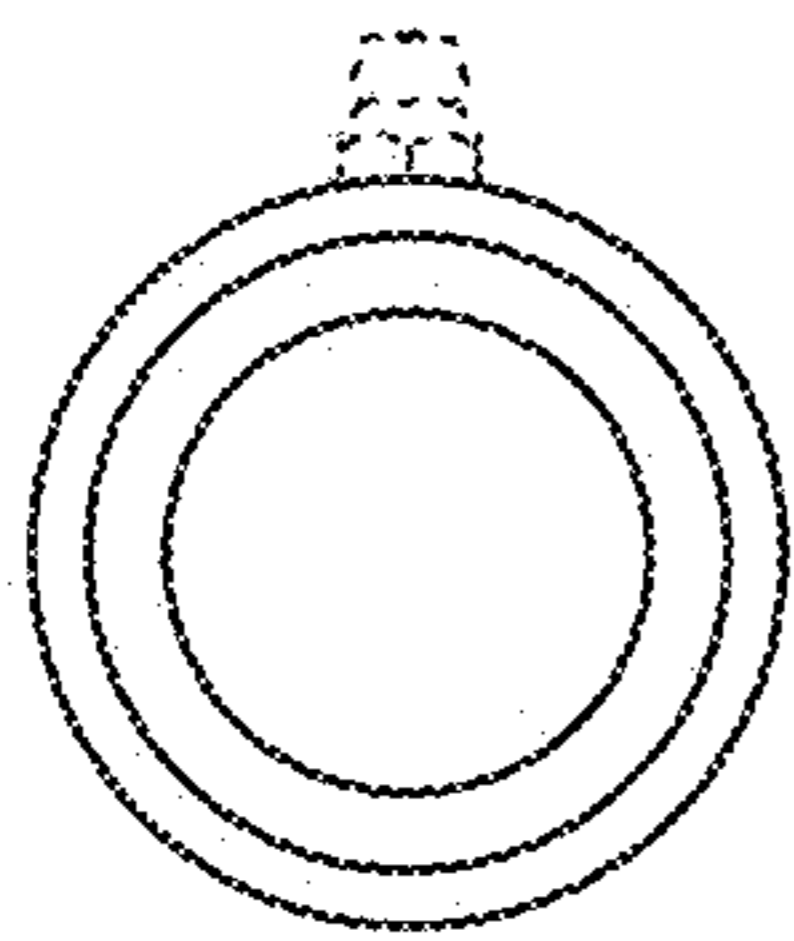


FIG. 2

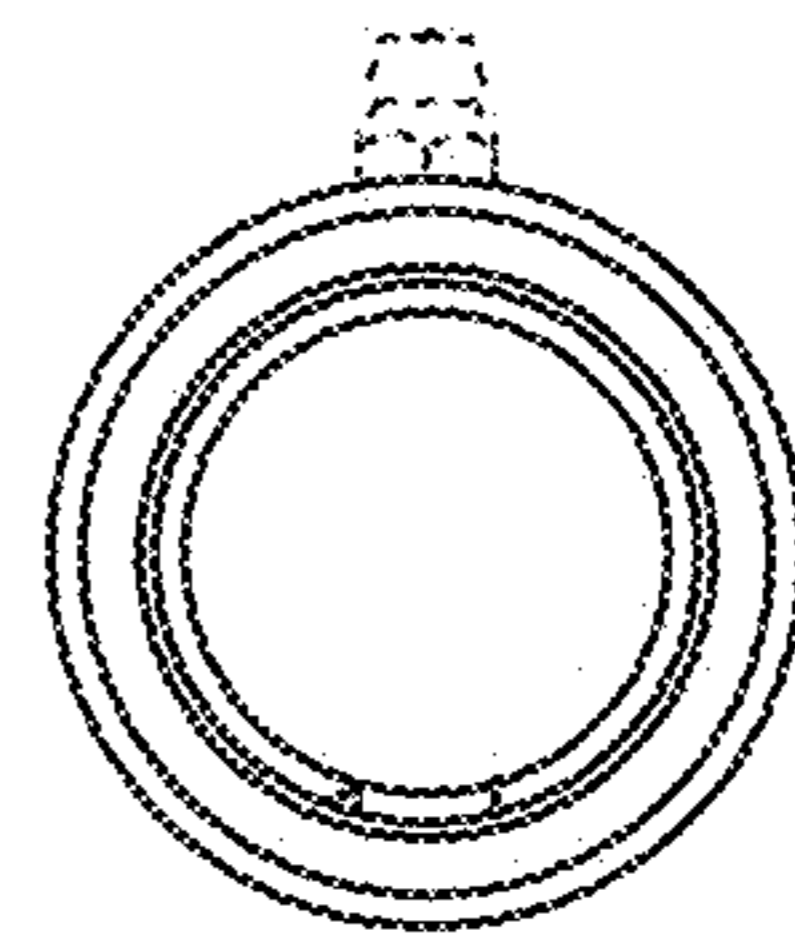


FIG. 3

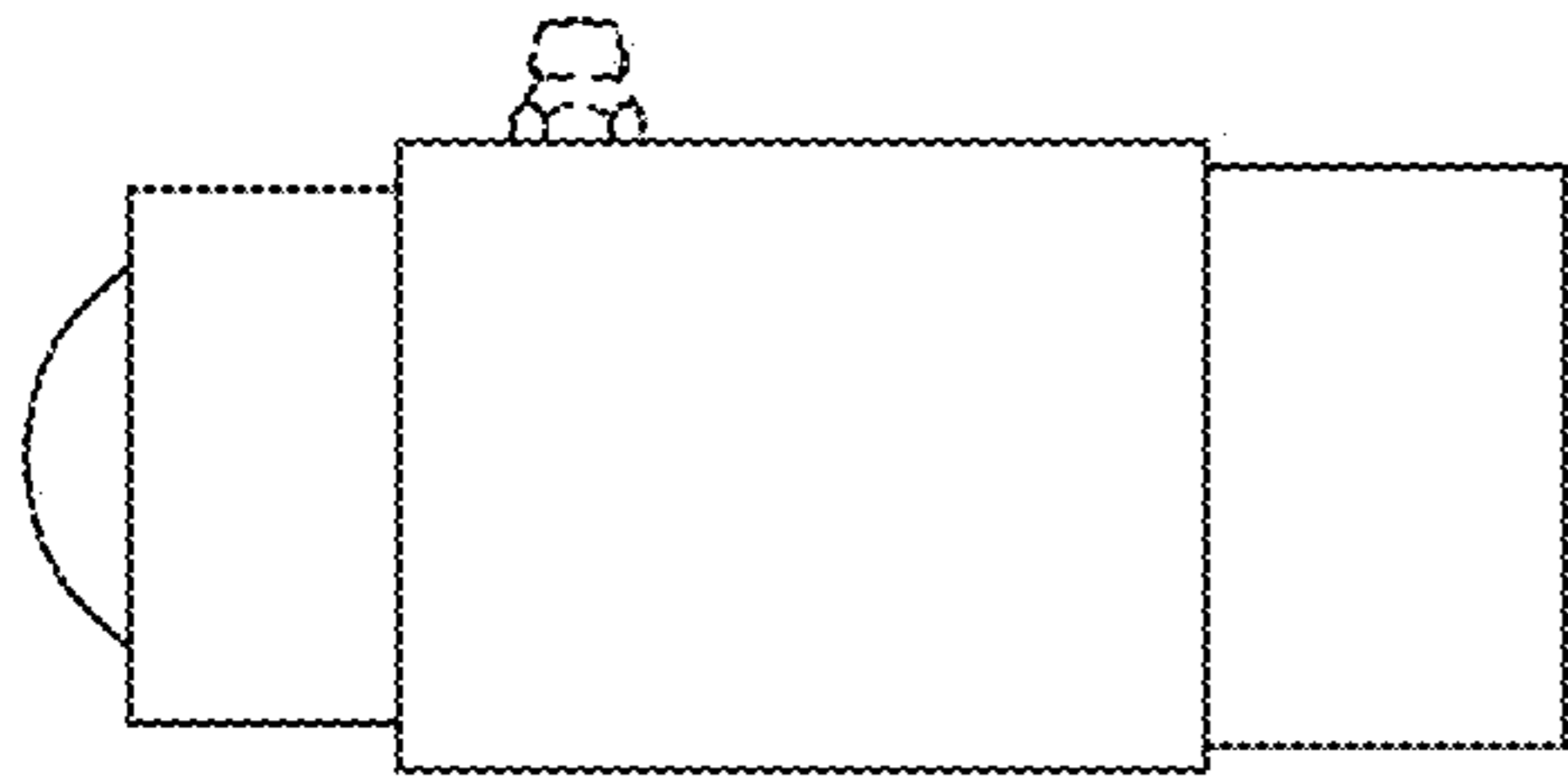


FIG. 4

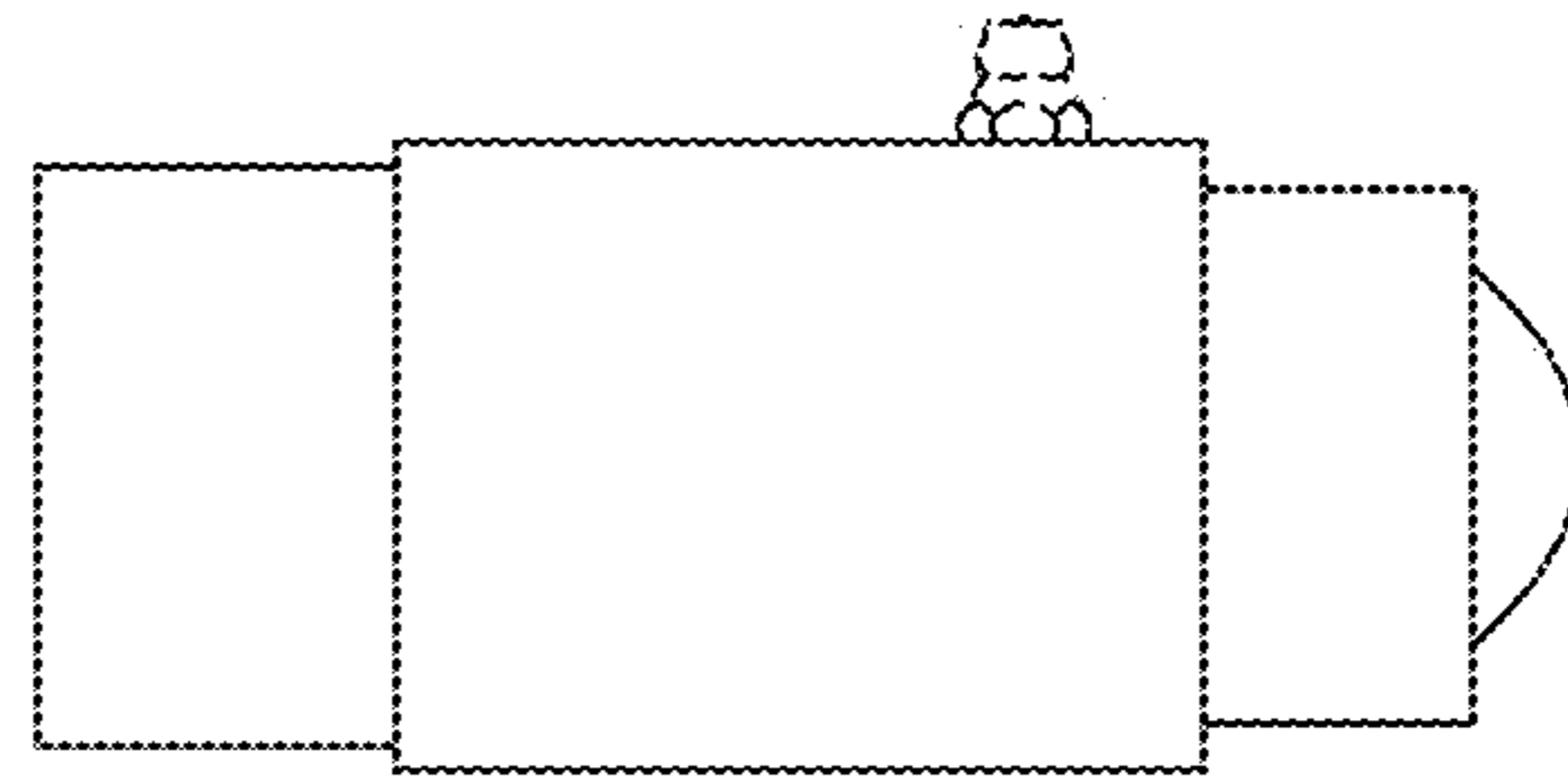


FIG. 5



FIG. 6

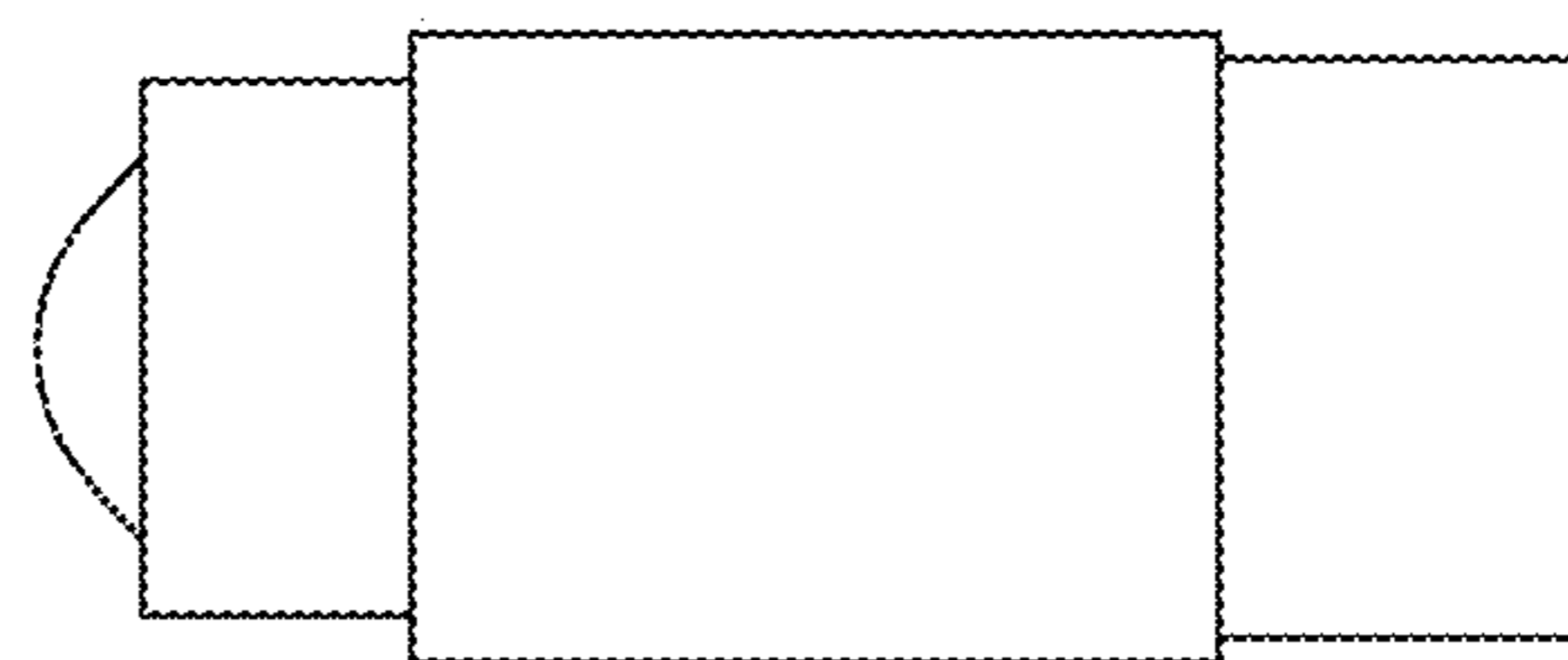


FIG. 7

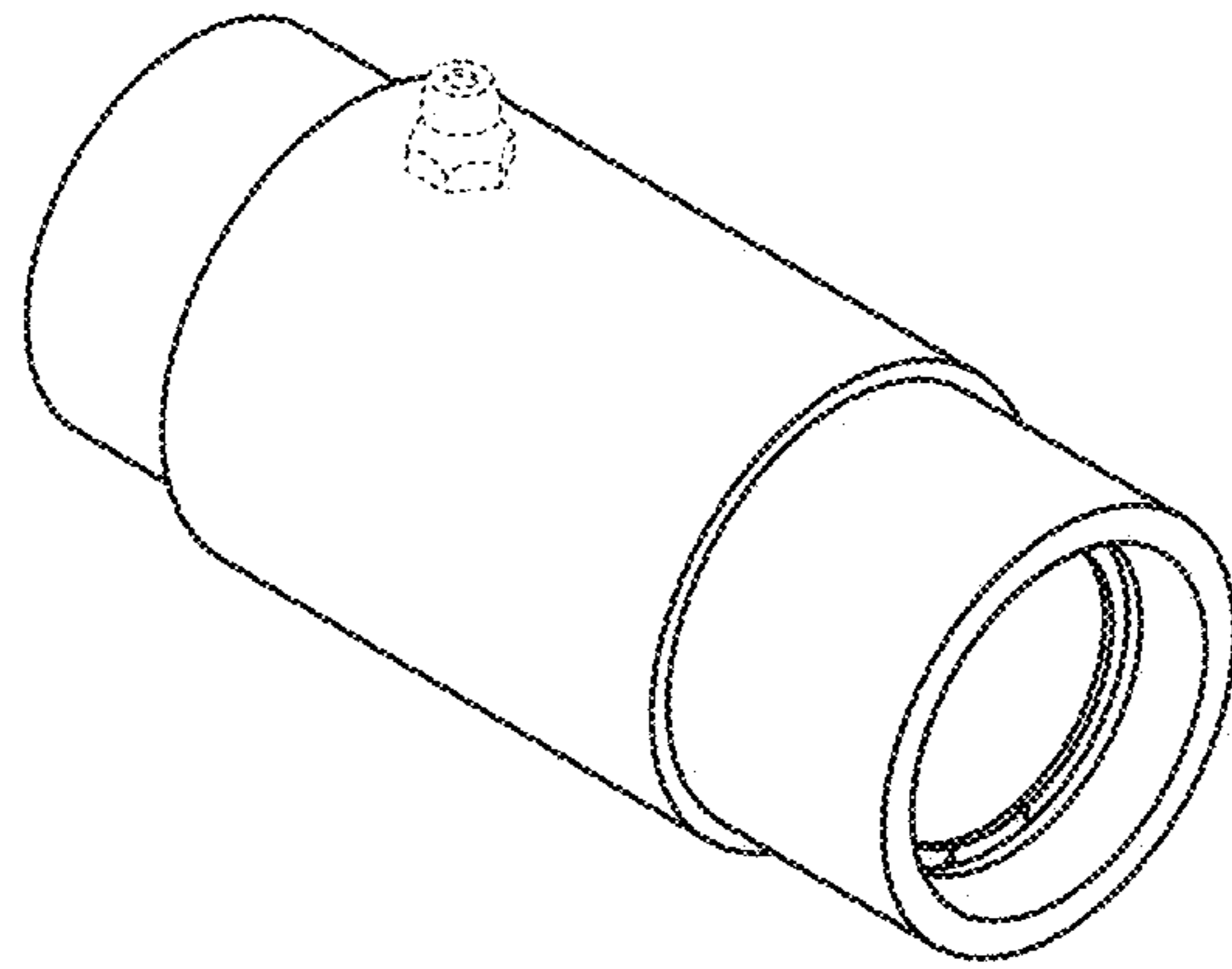


FIG. 8