



US00D932858S

(12) **United States Design Patent**  
**Kuang et al.**

(10) **Patent No.:** **US D932,858 S**

(45) **Date of Patent:** **\*\* Oct. 12, 2021**

- (54) **DRILL**
- (71) Applicant: **Globe (Jiangsu) Co., Ltd.**, Jiangsu (CN)
- (72) Inventors: **Jie Kuang**, Jiangsu (CN); **Song Zhang**, Jiangsu (CN); **Jens Näslund**, Spaanga (SE); **Jianlong Chen**, Jiangsu (CN); **Thomas Arnell**, Huskvarna (SE)
- (73) Assignee: **Globe (Jiangsu) Co., Ltd.**, Jiangsu (CN)
- (\*\*) Term: **15 Years**
- (21) Appl. No.: **29/728,069**
- (22) Filed: **Mar. 16, 2020**
- (30) **Foreign Application Priority Data**

Sep. 17, 2019 (CN) ..... 201930509127.X

- (51) **LOC (13) Cl.** ..... **08-05**
- (52) **U.S. Cl.**  
USPC ..... **D8/68**
- (58) **Field of Classification Search**  
USPC ..... D8/61, 67, 68  
CPC .... B62D 23/005; B62D 29/00; B62D 29/043;  
B62D 31/00; B62D 33/046; B62D 35/00;  
B62D 35/001; B60Q 1/0005  
See application file for complete search history.

(56) **References Cited**

**U.S. PATENT DOCUMENTS**

- 5,451,127 A \* 9/1995 Chung ..... B25D 16/006  
173/47
- D392,530 S \* 3/1998 Lui ..... D8/68
- D409,467 S \* 5/1999 Chung ..... D8/68
- D419,413 S \* 1/2000 Heun ..... D8/68
- D421,883 S \* 3/2000 Watson ..... D8/68

- D436,511 S \* 1/2001 Hayakawa ..... D8/68
- 6,308,378 B1 \* 10/2001 Mooty ..... B23D 51/01  
16/430
- D460,674 S \* 7/2002 Heun ..... D8/68
- D467,148 S \* 12/2002 Flickinger ..... D8/68
- D525,848 S \* 8/2006 Kokawa ..... D8/68
- D527,971 S \* 9/2006 Kokawa ..... D8/68
- 7,429,430 B2 \* 9/2008 Mooty ..... B23D 51/01  
30/500
- D587,084 S \* 2/2009 Van Wambeke ..... D8/68
- 7,492,125 B2 \* 2/2009 Serdynski ..... H01M 50/572  
320/114
- D593,831 S \* 6/2009 Van Wambeke ..... D8/68
- D609,072 S \* 2/2010 Van Wambeke ..... D8/68
- D642,037 S \* 7/2011 Miller ..... D8/68
- D673,437 S \* 1/2013 Schoch ..... D8/68
- D722,854 S 2/2015 Beukema
- D750,460 S \* 3/2016 Miller ..... D8/68
- D777,544 S 1/2017 Cooper
- D845,732 S 4/2019 Waldron
- D847,600 S \* 5/2019 Waldron ..... D8/68

(Continued)

*Primary Examiner* — Darlington Ly

(74) *Attorney, Agent, or Firm* — Rooney IP, LLC

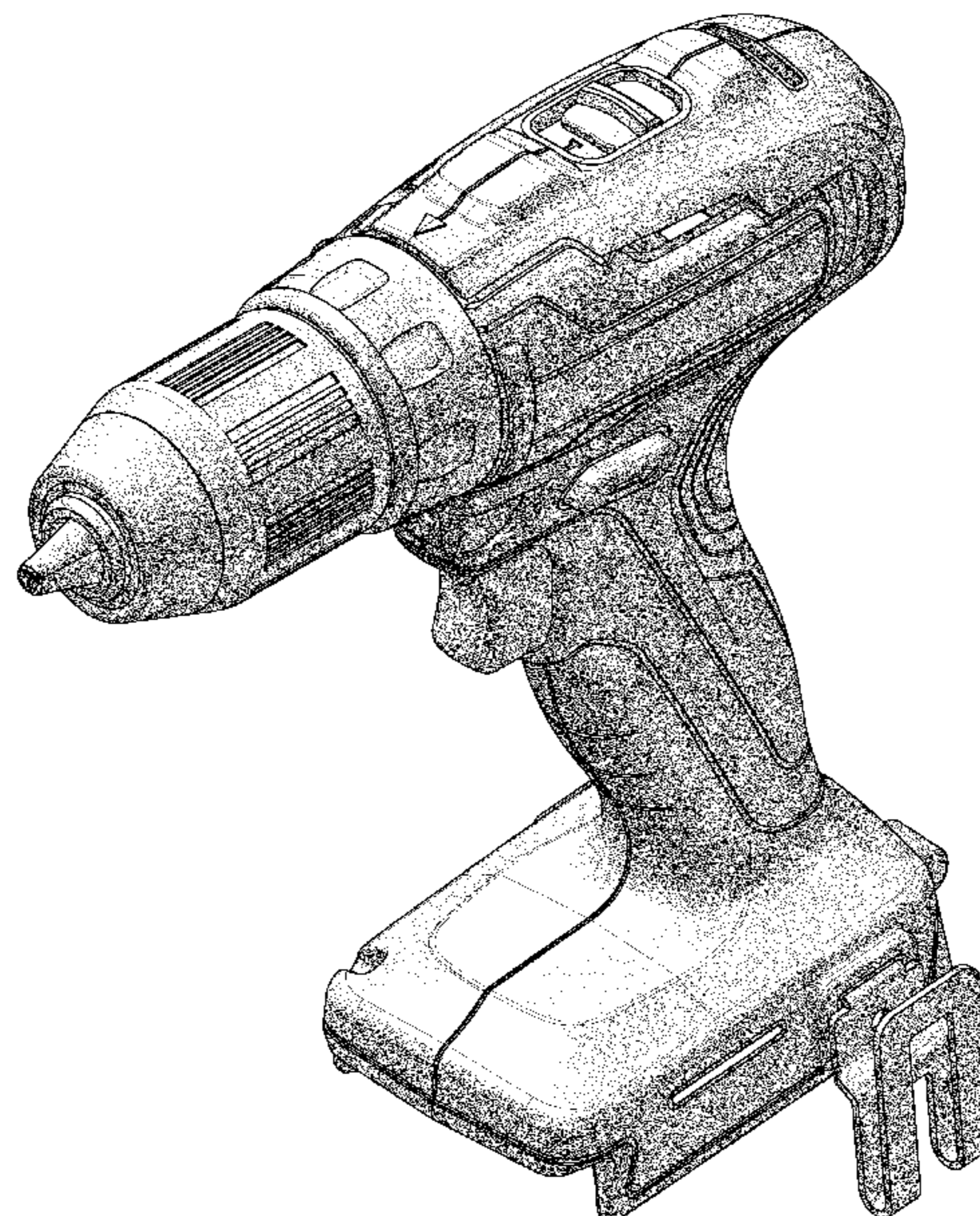
(57) **CLAIM**

The ornamental design for a drill, as shown and described.

**DESCRIPTION**

FIG. 1 is a front and left side perspective view of a drill embodying our new design;  
 FIG. 2 is a rear and right side perspective view thereof;  
 FIG. 3 is a front elevation view thereof;  
 FIG. 4 is a rear elevation view thereof;  
 FIG. 5 is a right side elevation view thereof;  
 FIG. 6 is a left side elevation view thereof;  
 FIG. 7 is a top plan view thereof; and,  
 FIG. 8 is a bottom plan view thereof.  
 The broken lines in the drawings illustrate portions of the drill that form no part of the claimed design.

**1 Claim, 8 Drawing Sheets**



(56)

**References Cited**

U.S. PATENT DOCUMENTS

D869,926 S *	12/2019	Waldron .....	D8/68
D882,366 S *	4/2020	Yang .....	D8/68
D898,536 S *	10/2020	Li .....	D8/68
2015/0041164 A1 *	2/2015	Sergyeyenko .....	B25B 23/147 173/1

\* cited by examiner

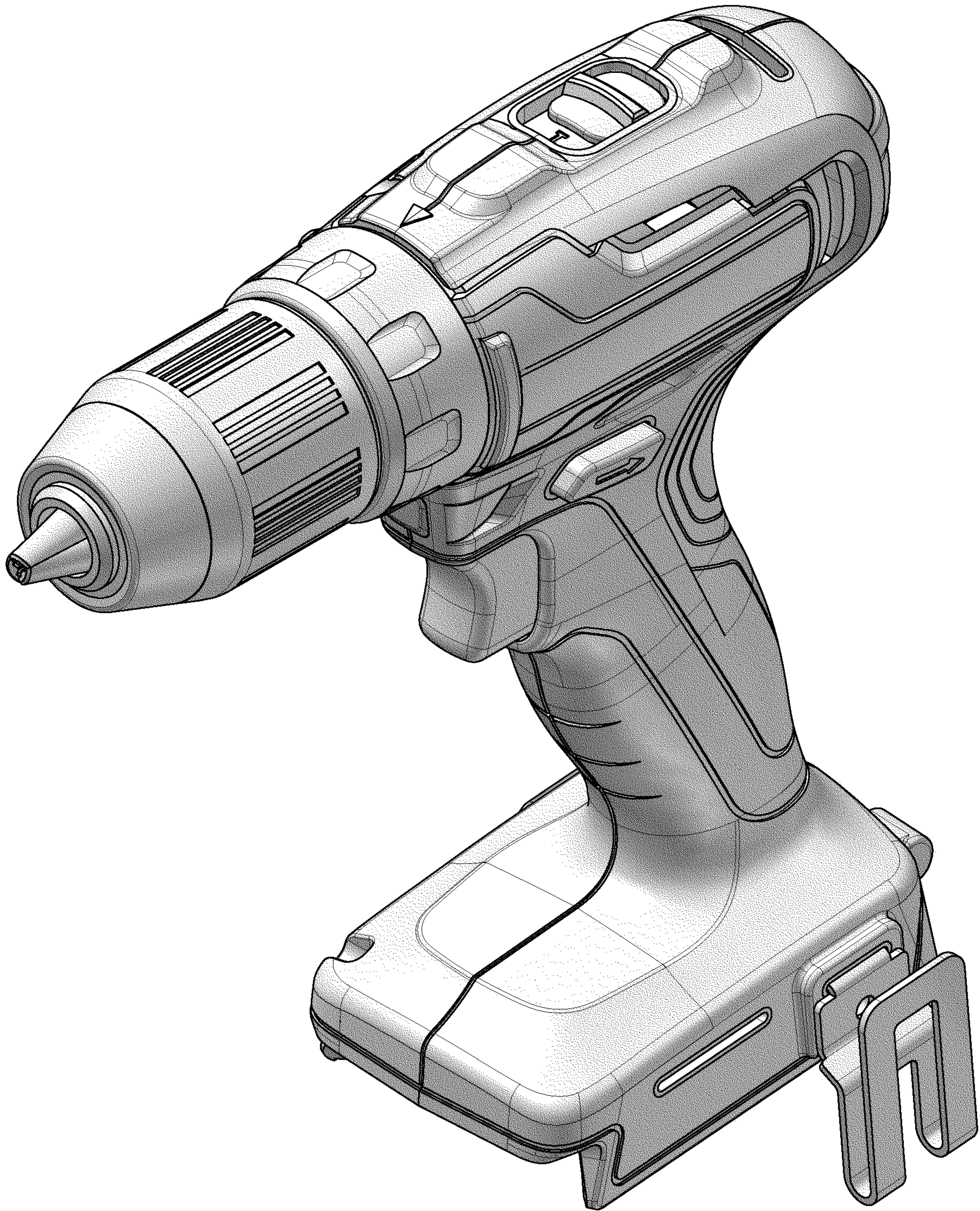


FIG. 1

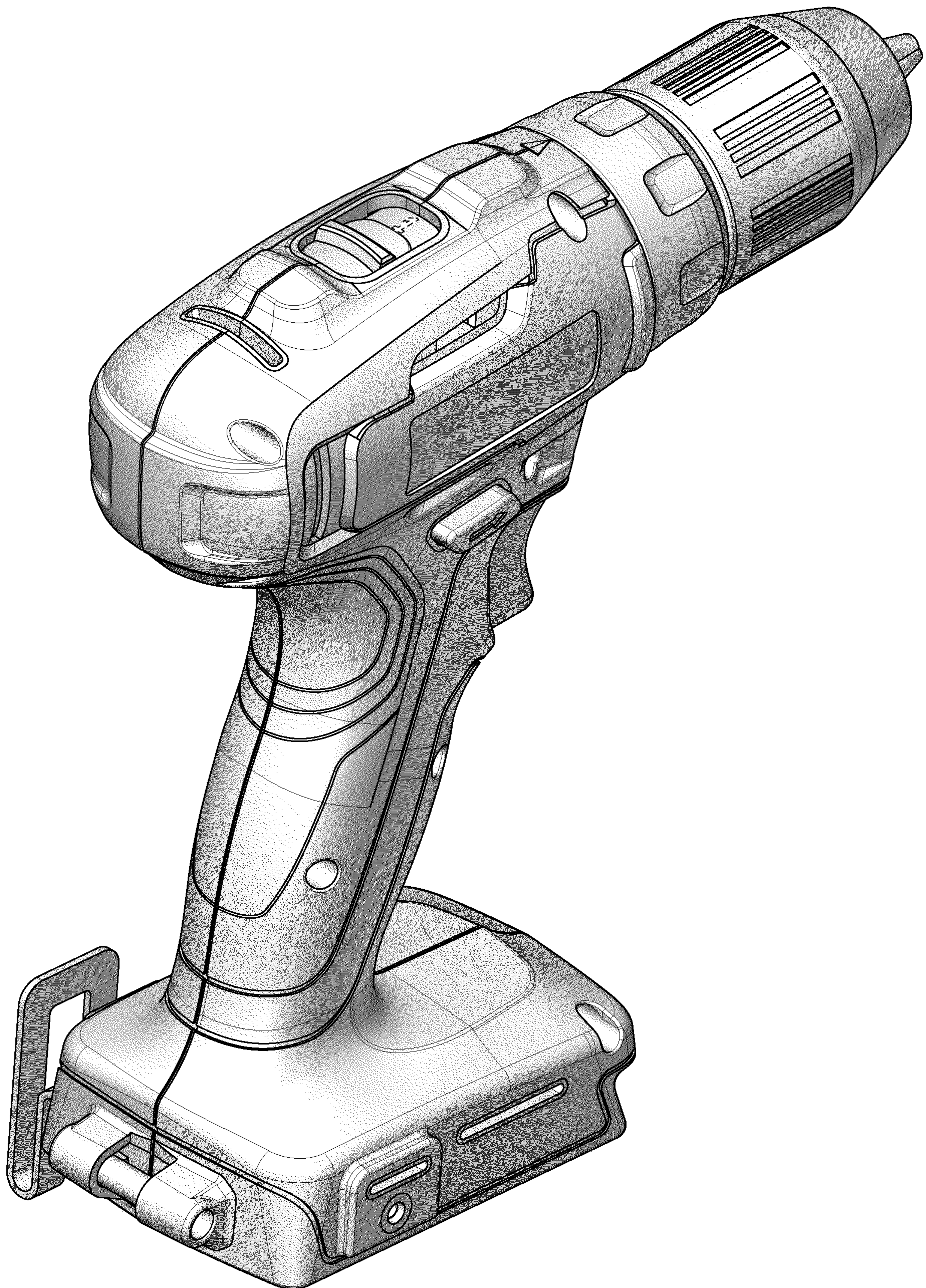


FIG. 2

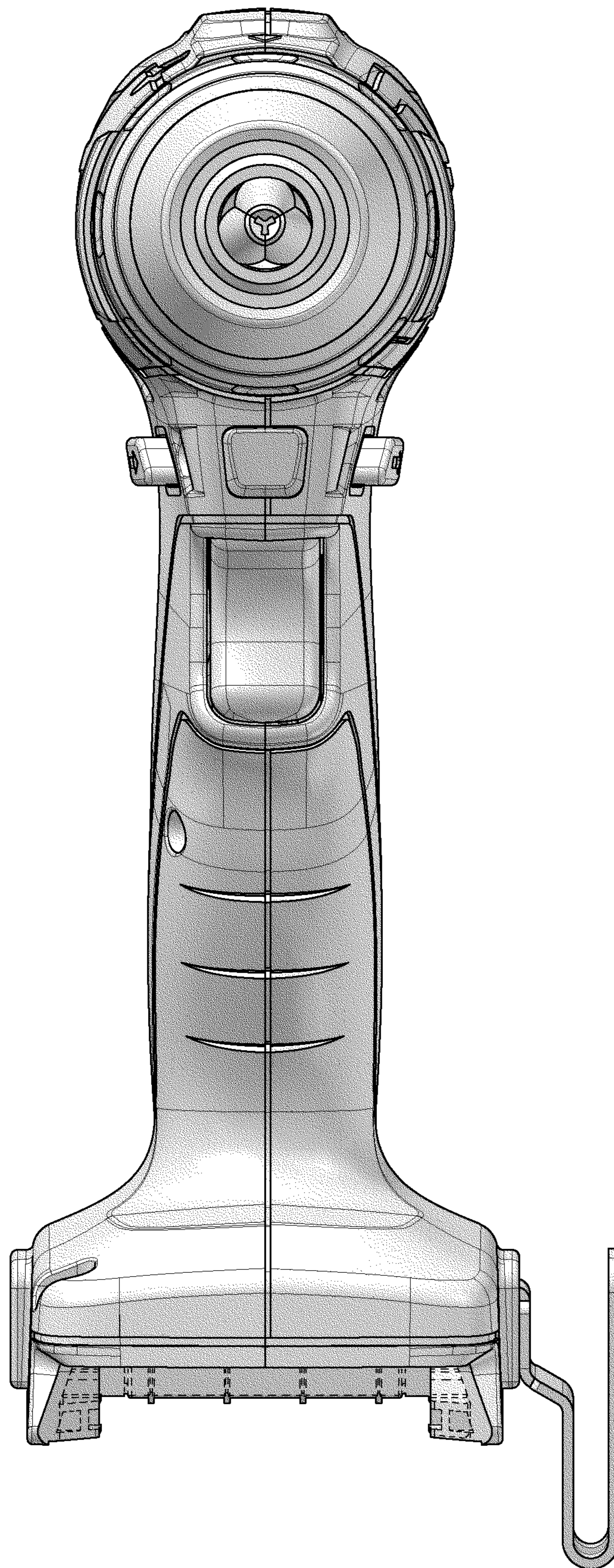


FIG. 3

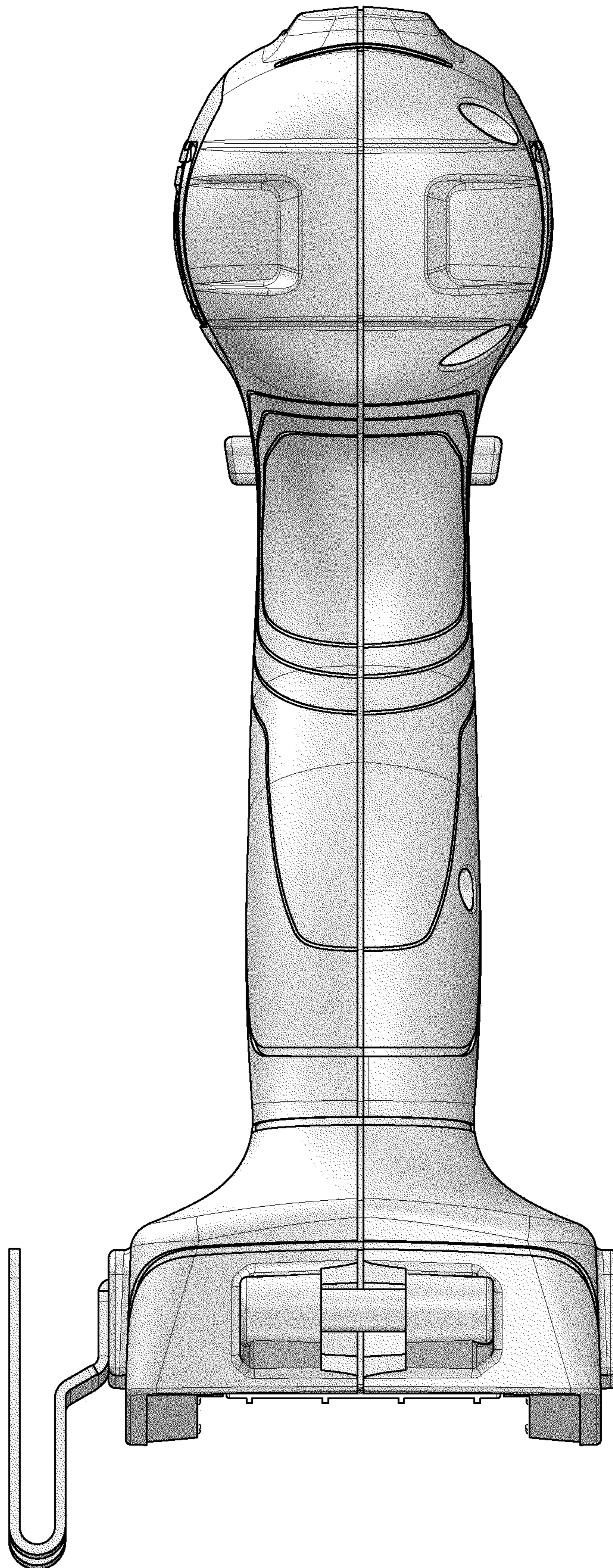


FIG. 4



FIG. 5



FIG. 6



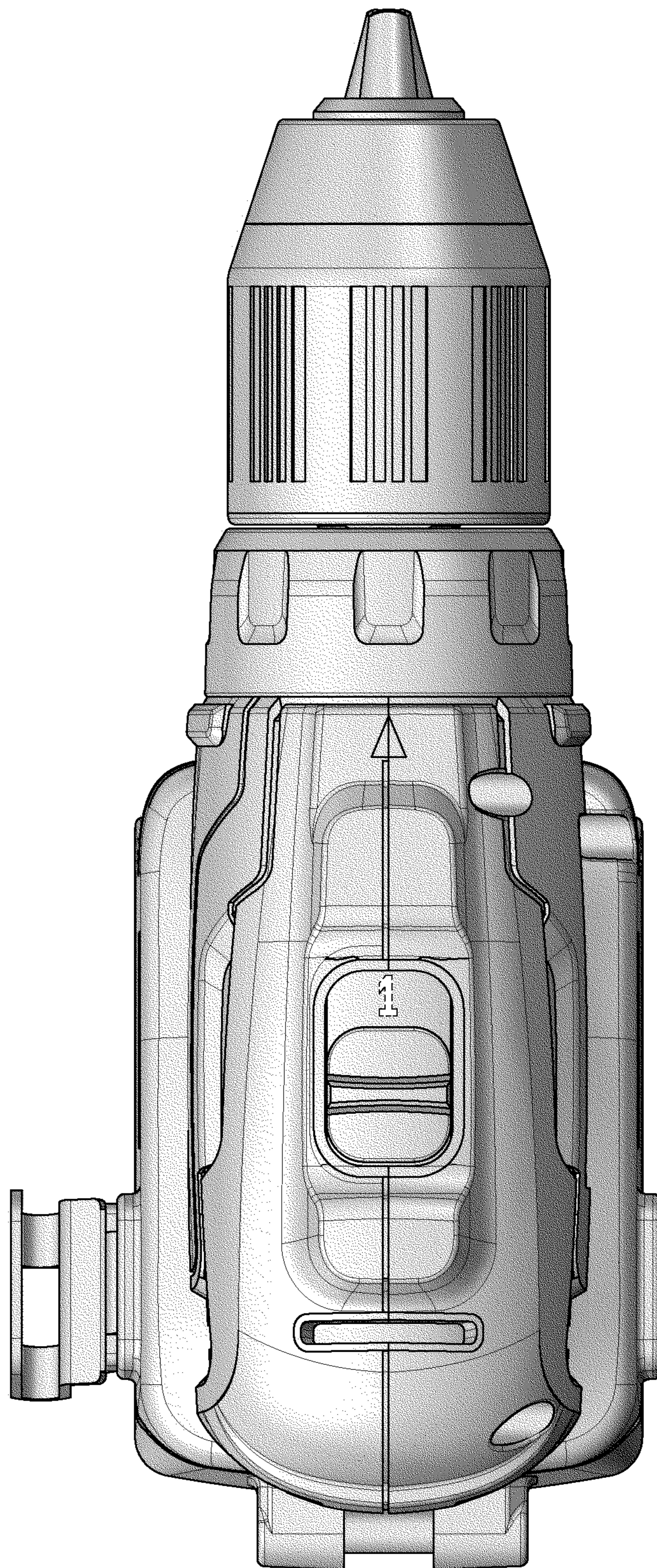


FIG. 7

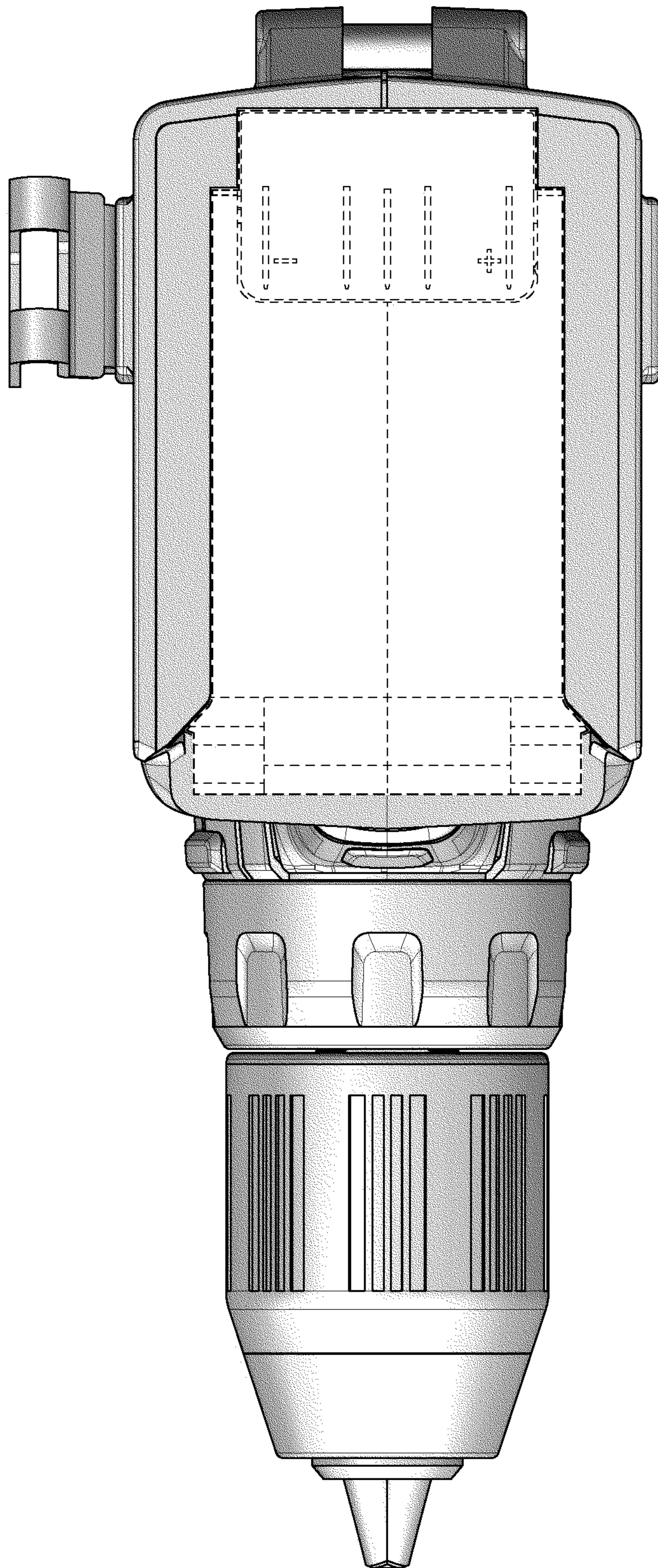


FIG. 8