



US00D932857S

(12) **United States Design Patent** (10) **Patent No.:** **US D932,857 S**
Burke et al. (45) **Date of Patent:** **** Oct. 12, 2021**

(54) **HAND TORCH**
(71) Applicant: **Worthington Cylinders Corporation**, Columbus, OH (US)
(72) Inventors: **John Burke**, Williamsburg, OH (US); **Christopher Francis Kreuser**, Lewis Center, OH (US); **Dustin Lee**, Worthington, OH (US); **Jerome Schafer**, Liberty Township, OH (US); **Jake Schubert**, Bellevue, KY (US); **Michael Sharpe**, Sunbury, OH (US); **Cory Blaine Shoup**, Powell, OH (US); **Karl Vanderbeek**, Cincinnati, OH (US); **Thomas Washenko**, Columbus, OH (US)

6,998,575 B1 * 2/2006 Kensrue B23K 9/133
219/137.31
D535,166 S * 1/2007 Kensrue D8/30
D555,446 S * 11/2007 Picaza Ibarro D15/144
D594,300 S 6/2009 Picaza Ibarro
D638,270 S * 5/2011 Flattinger D8/30
D735,002 S * 7/2015 Bondy D8/30
D771,727 S 11/2016 Imi
D876,914 S * 3/2020 Mitterhumer D8/30
D881,664 S * 4/2020 Vazquez D8/30
D882,361 S * 4/2020 Calandreli Cruz D8/30
D883,055 S * 5/2020 Vazquez D8/30
D893,967 S * 8/2020 Vazquez D8/30

(Continued)

FOREIGN PATENT DOCUMENTS

CN 3097501 1/1999
CN 303984932 12/2016

(73) Assignee: **WORTHINGTON CYLINDERS CORPORATION**, Columbus, OH (US)

OTHER PUBLICATIONS

Search Report for Taiwan Design No. 109305021; dated Apr. 6, 2021; 4 pages.

(**) Term: **15 Years**

Primary Examiner — Philip S Hyder

(21) Appl. No.: **29/727,162**

(74) *Attorney, Agent, or Firm* — Tucker Ellis LLP

(22) Filed: **Mar. 9, 2020**

(51) **LOC (13) Cl.** **08-05**

(52) **U.S. Cl.**
USPC **D8/30**

(57) **CLAIM**

The ornamental design for a hand torch, as shown and described.

(58) **Field of Classification Search**
USPC D8/30, 70, 107; D15/144, 144.1
CPC B23K 9/28; B23K 9/125; B23K 9/295;
B23K 9/1336; B23K 9/1087; B23K
9/124; B23K 9/325; B23K 9/287
See application file for complete search history.

DESCRIPTION

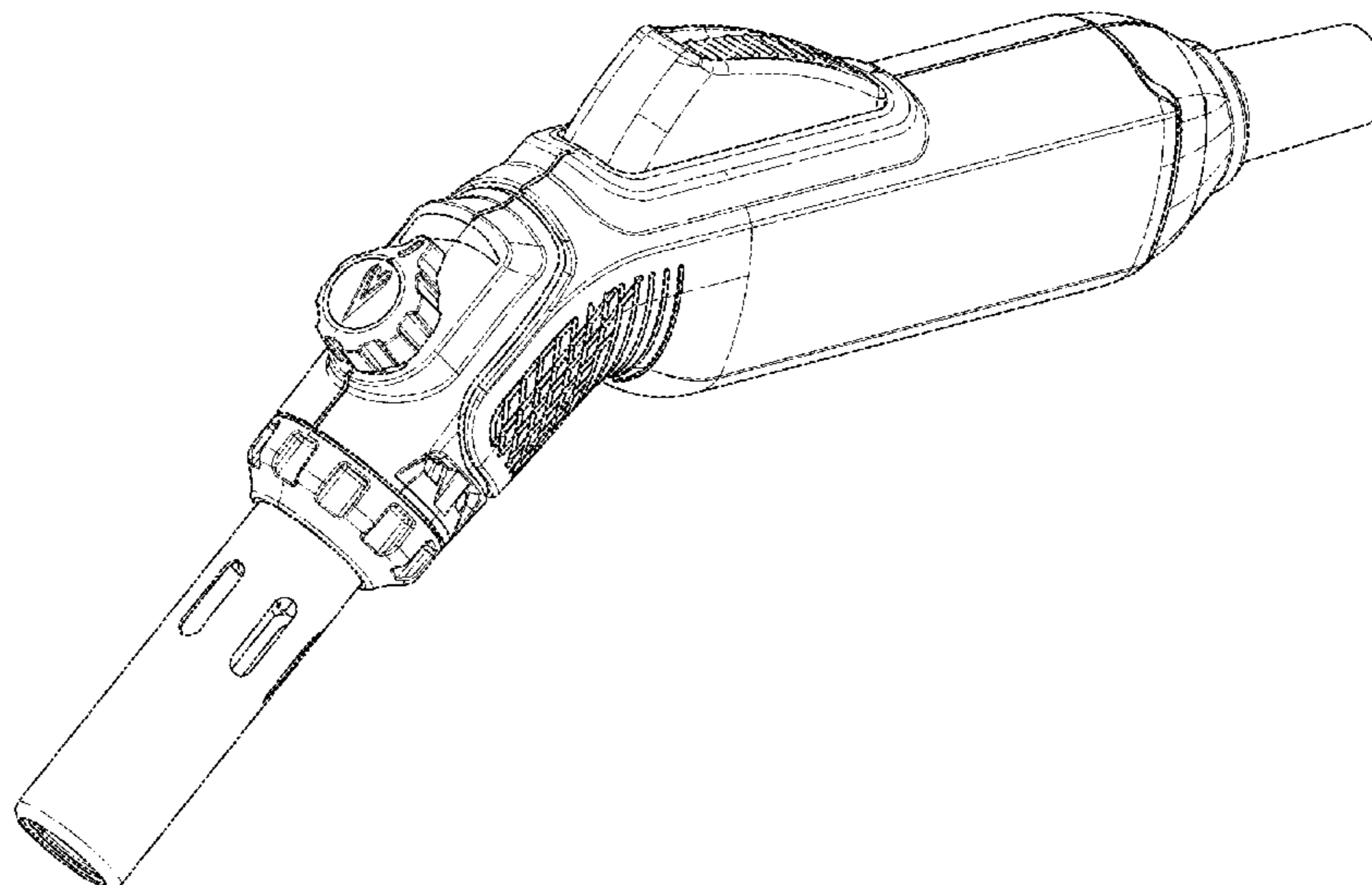
FIG. 1 is a top, front, and right perspective view of a hand torch embodying the new design;
FIG. 2 is a top, rear, and right side bottom perspective view thereof;
FIG. 3 is a right side elevation view thereof;
FIG. 4 is a left side elevation view thereof;
FIG. 5 is a front elevation view thereof;
FIG. 6 is a rear elevation thereof;
FIG. 7 is a top plan view thereof; and,
FIG. 8 is a bottom plan view thereof.

(56) **References Cited**

U.S. PATENT DOCUMENTS

D343,629 S * 1/1994 Bode D15/144
D346,390 S * 4/1994 Sperling D15/144
6,225,599 B1 * 5/2001 Altekruze B23K 9/124
219/137.31

1 Claim, 8 Drawing Sheets



(56)

References Cited

U.S. PATENT DOCUMENTS

D904,146 S *	12/2020	Grossauer	D8/30
2004/0020908 A1 *	2/2004	Centner	B23K 9/32 219/137.31
2006/0219683 A1 *	10/2006	Kensrue	B23K 9/28 219/137.31
2007/0164006 A1 *	7/2007	Burgstaller	B23K 31/125 219/130.01
2009/0152254 A1 *	6/2009	Giese	B23K 9/287 219/137.31
2011/0062131 A1 *	3/2011	Binzel	B23K 9/287 219/136
2013/0248085 A1 *	9/2013	Sugimoto	B32B 3/18 156/117

* cited by examiner

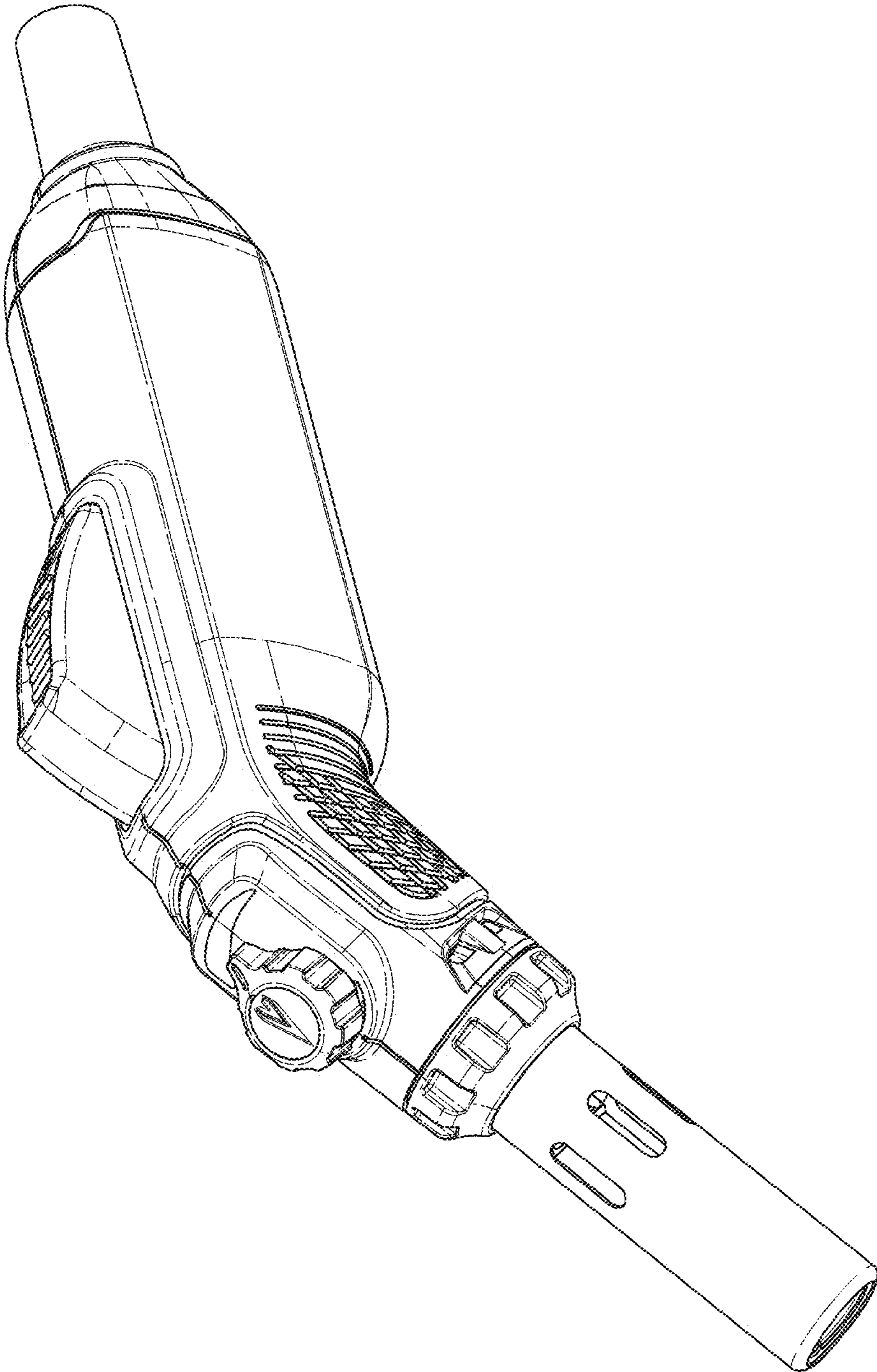


FIG. 1

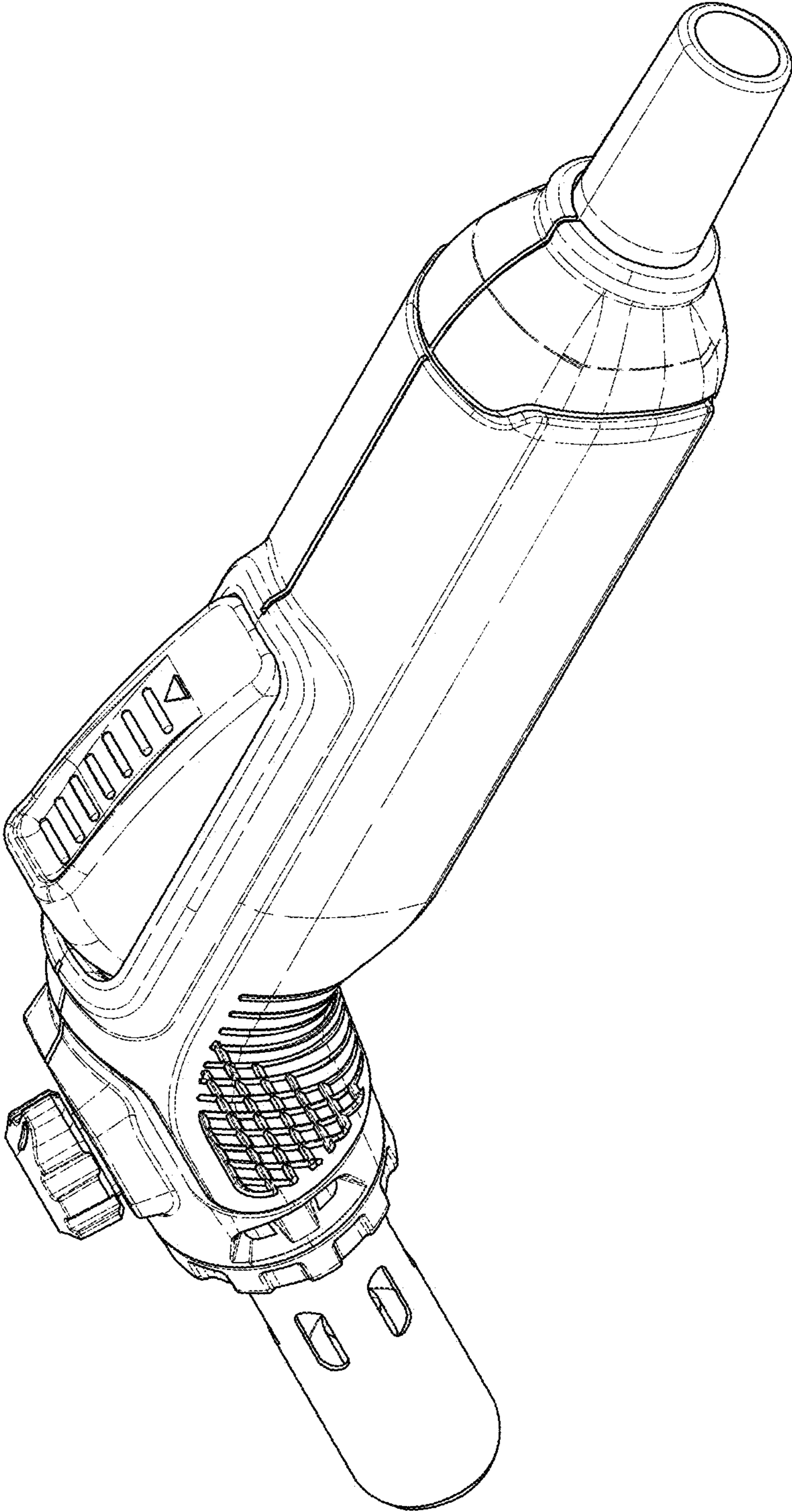


FIG. 2

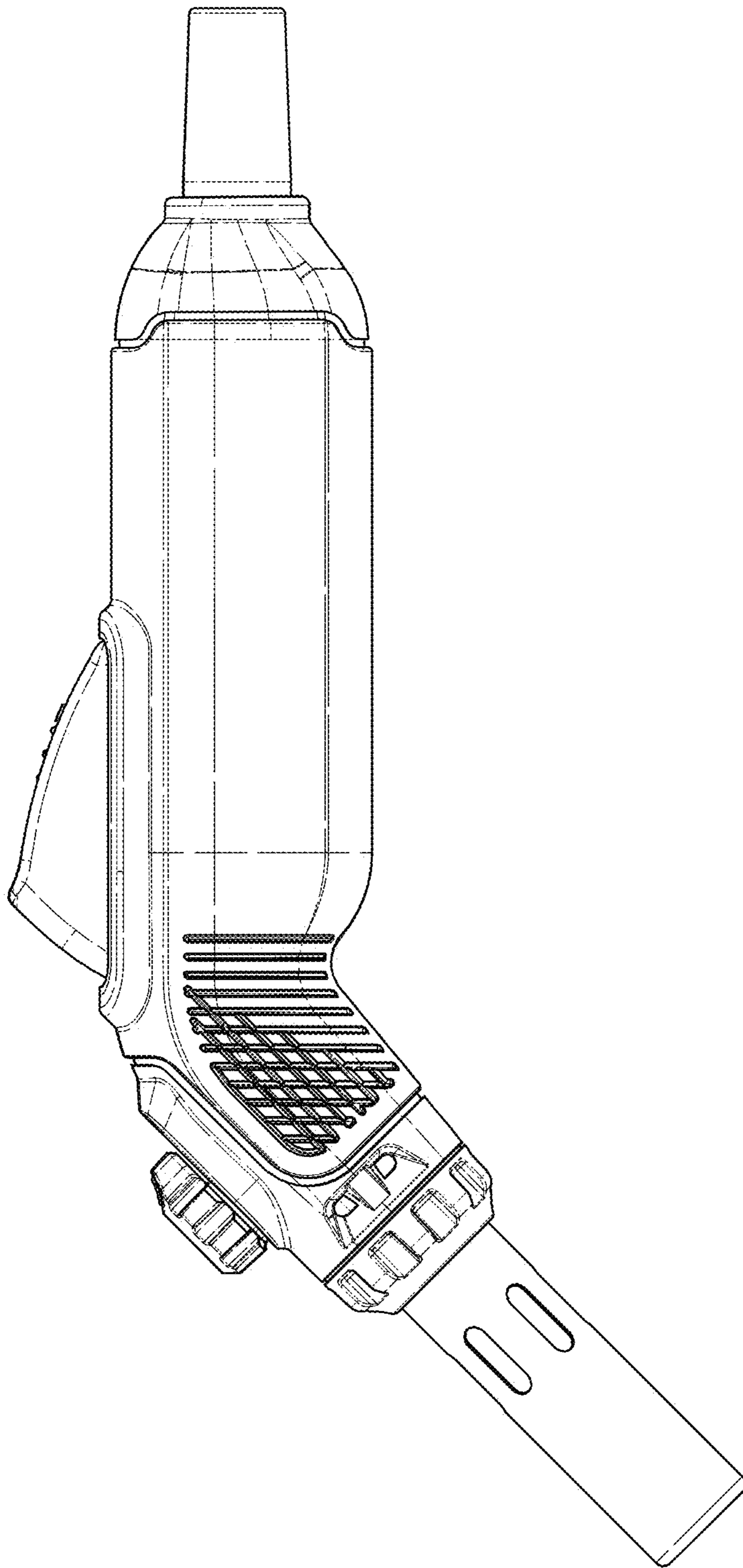


FIG. 3

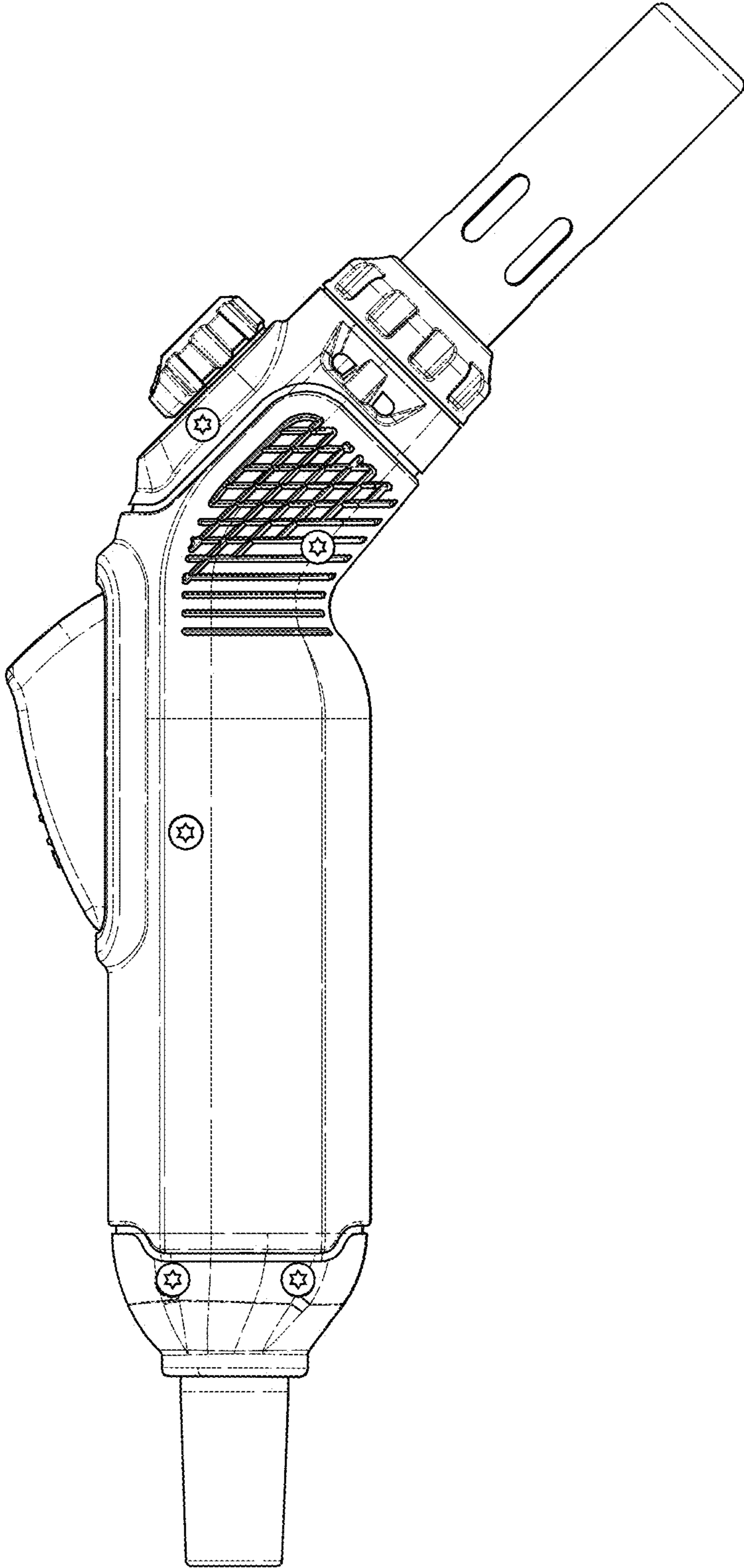


FIG. 4

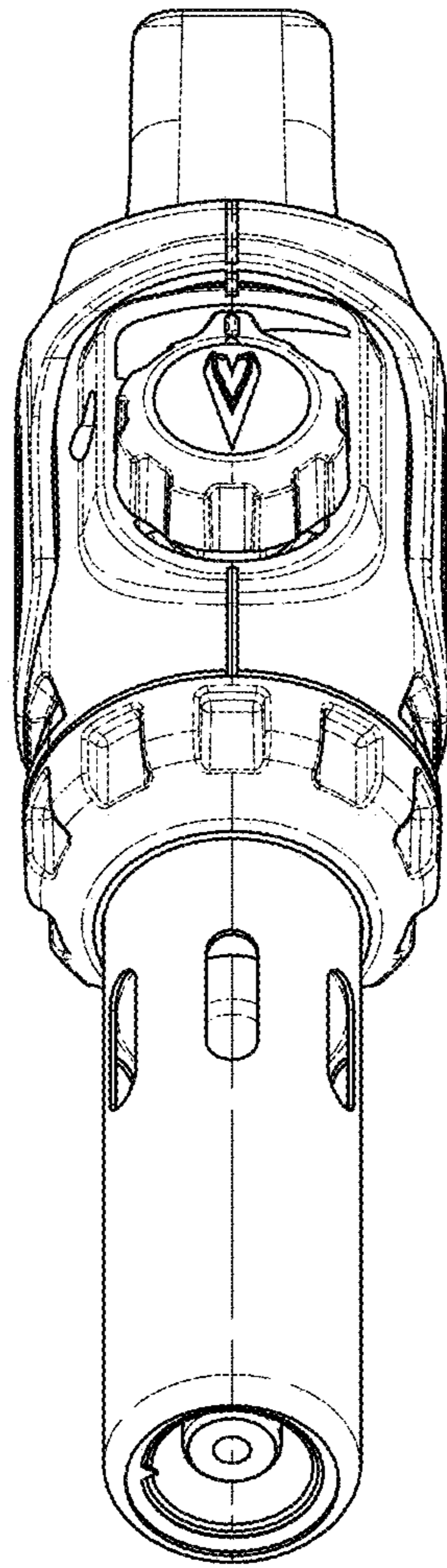


FIG. 5

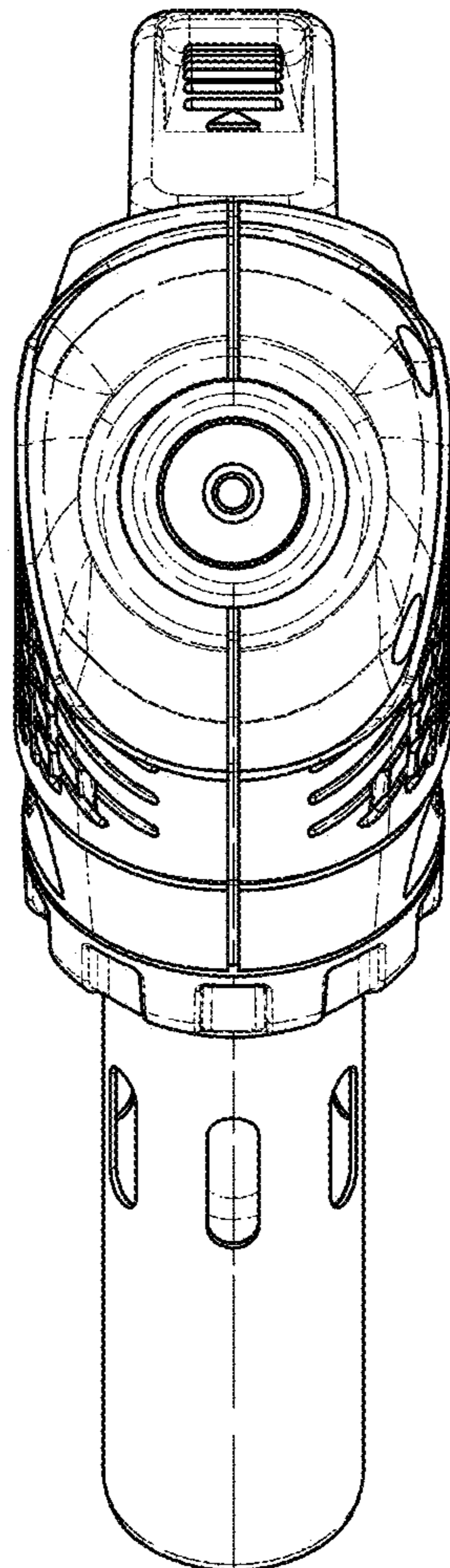


FIG. 6

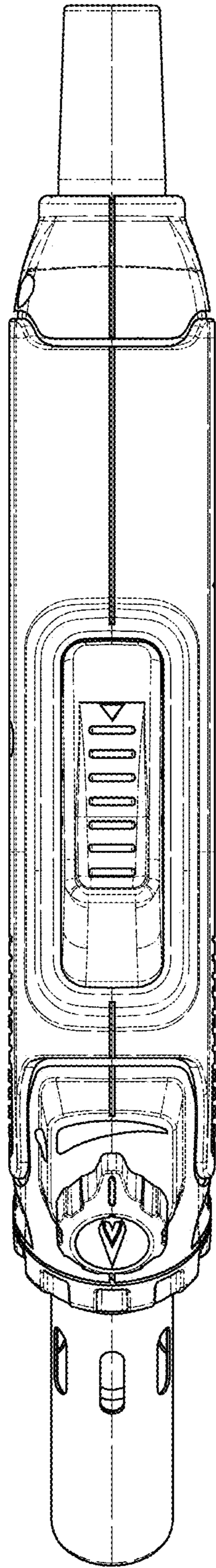


FIG. 7

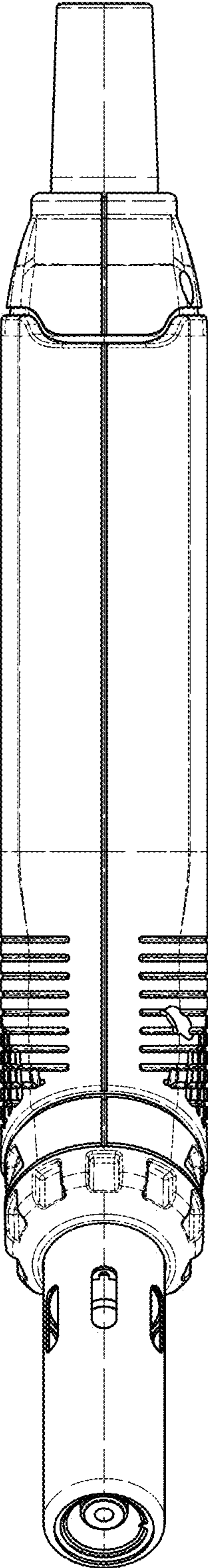


FIG. 8