



US00D932856S

(12) **United States Design Patent** (10) **Patent No.:** **US D932,856 S**
Klamm (45) **Date of Patent:** **** Oct. 12, 2021**

(54) **HAND GRIP WRENCH**

- (71) Applicant: **Thomas Klamm**, Racine, WI (US)
- (72) Inventor: **Thomas Klamm**, Racine, WI (US)
- (**) Term: **15 Years**
- (21) Appl. No.: **29/712,843**
- (22) Filed: **Nov. 12, 2019**

Related U.S. Application Data

- (62) Division of application No. 29/670,009, filed on Nov. 13, 2018, now Pat. No. Des. 867,837, which is a division of application No. 29/604,612, filed on May 18, 2017, now Pat. No. Des. 837,005.
- (51) **LOC (13) Cl.** **08-05**
- (52) **U.S. Cl.**
USPC **D8/25; D8/21**
- (58) **Field of Classification Search**
USPC D8/14, 16, 17, 21-29
CPC B25B 13/14; B25B 13/06; B25B 13/04;
B25B 13/46; B25B 13/00; B25B 7/02;
B25B 13/48; B25B 13/16; B25B 13/505;
B25B 13/5058; B25B 23/0007; B25B
13/28; B25B 23/147; B25B 13/08; B25B
13/56; B25B 23/0035; B25B 13/065;
B25B 13/465; B25B 13/463
See application file for complete search history.

(56) **References Cited**

U.S. PATENT DOCUMENTS

- D255,979 S * 7/1980 Boursaw 81/29
- D303,342 S * 9/1989 Katz D8/29
- D371,298 S 7/1996 Reddy et al.
- 6,138,531 A * 10/2000 Lamons B25B 13/461
81/58.1
- D556,007 S 11/2007 Hung
(Continued)

FOREIGN PATENT DOCUMENTS

- CN 2048270 * 12/1995
 - CN 303528869 * 6/2015
- (Continued)

OTHER PUBLICATIONS

Powerbuilt Store, Thumb Ratchet, Date first available Jul. 12, 2017, [online]retrieved May 27, 2021,available from https://www.amazon.com/Powerbuilt-941248-Thumb-Ratchet-Bits/dp/B073WH46Q7/ref=sr_1_4?dchild=1&keywords=HAND+WRENCH&qid=162213 (Year: 2017).*

(Continued)

Primary Examiner — Keli L Hill
Assistant Examiner — Sara S Sahneh
(74) *Attorney, Agent, or Firm* — Quarles & Brady LLP

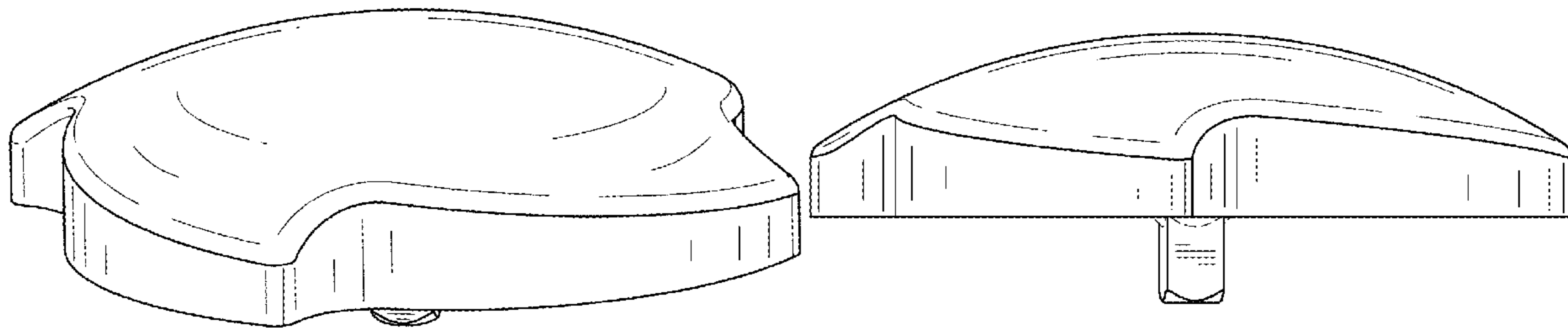
(57) **CLAIM**

The ornamental design for a hand grip wrench, as shown and described.

DESCRIPTION

FIG. 1 is a top, right, and front perspective view of a hand grip wrench showing my new design;
FIG. 2 is a top plan view of the hand grip wrench of FIG. 1;
FIG. 3 is a front elevational view of the hand grip wrench of FIG. 1;
FIG. 4 is a rear elevational view of the hand grip wrench of FIG. 1;
FIG. 5 is a right side elevational view of the hand grip wrench of FIG. 1;
FIG. 6 is a left side elevational view of the hand grip wrench of FIG. 1; and,
FIG. 7 is a bottom plan view of the hand grip wrench of FIG. 1.
The dash-dash broken lines are for the purpose of illustrating unclaimed subject matter only and form no part of the claimed design.

1 Claim, 4 Drawing Sheets



(56)

References Cited

U.S. PATENT DOCUMENTS

D644,901 S * 9/2011 Christopher B25G 1/085
D8/83
D657,214 S 4/2012 Chen
D671,384 S * 11/2012 Lichstein D8/29
D675,893 S 2/2013 Chen
D689,752 S 9/2013 Alho et al.
8,602,006 B2 * 12/2013 Merz F02M 26/70
123/568.12
D718,586 S 12/2014 Jiang
D771,453 S 11/2016 Liu
D777,001 S 1/2017 Juang et al.
D784,099 S * 4/2017 Mitchell D8/21
D821,859 S * 7/2018 Artino D8/387
D825,299 S * 8/2018 Stalter D8/21
D825,301 S * 8/2018 Stalter D8/29
D832,899 S * 11/2018 Walters D15/135
D890,594 S * 7/2020 Gao D8/312
D898,808 S * 10/2020 Seflic D16/245

FOREIGN PATENT DOCUMENTS

EM 003526102-0001 * 12/2016
JP D1523610 * 3/2014
KR 3009840650003 * 6/2017

OTHER PUBLICATIONS

Titan Tool Store, Tooth Finger Ratchet, Date first available Nov. 3, 2009, [online]retrieved May 27, 2021, available from https://www.amazon.com/Titan-12090-Drive-Finger-Ratchet/dp/B002VM7WWE/ref=psdc_553424_t2_B073WH46Q7 (Year: 2009).*
Lang Tools , Finger Ratchet, Date first available Jul. 2, 2013,[online]retrieved May 27, 2021, available from https://www.amazon.com/Lang-Tools-5222-6-Piece-Ratchet/dp/B00DTEDYAM/ref=sr_1_19?dchild=1&keywords=Finger+Ratchet&qid=1622140080&s (Year: 2013).*

* cited by examiner

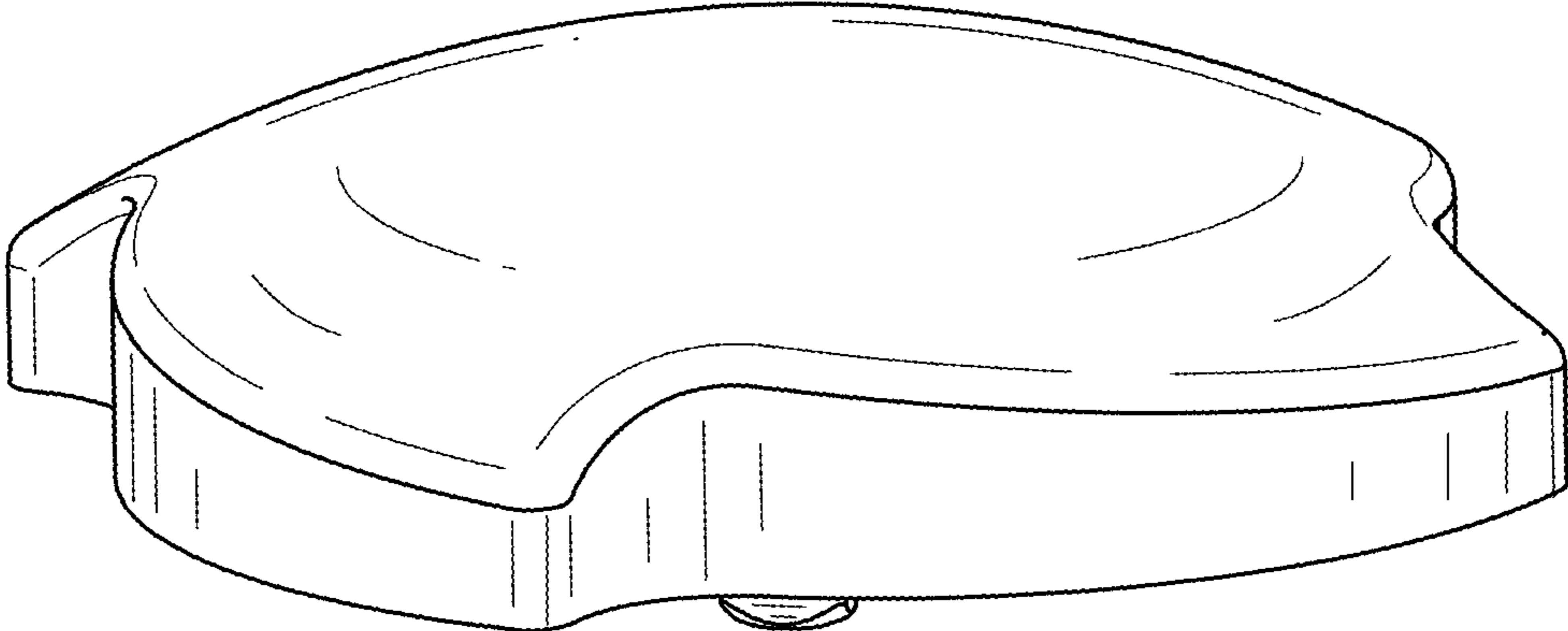


FIG. 1

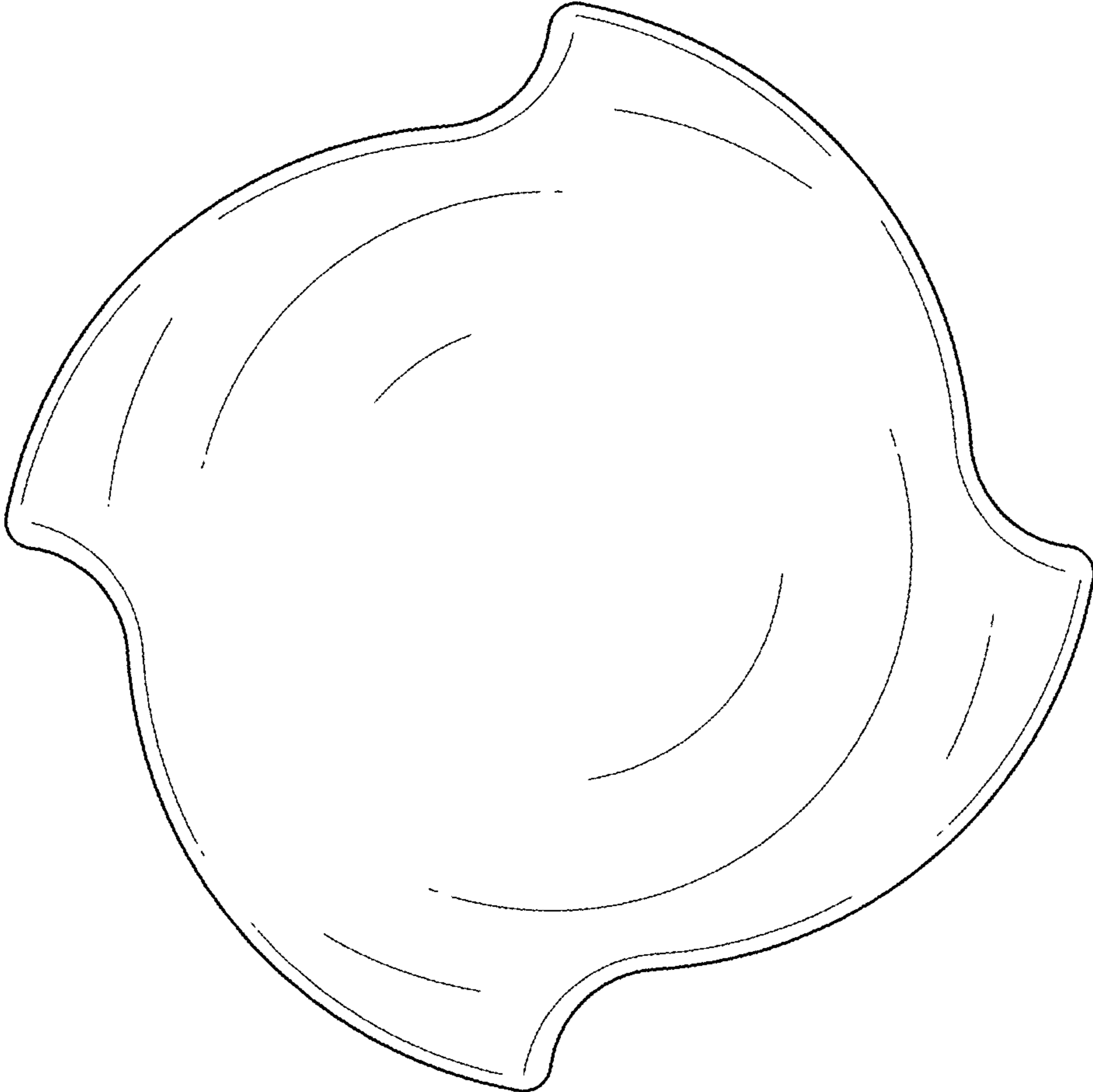


FIG. 2

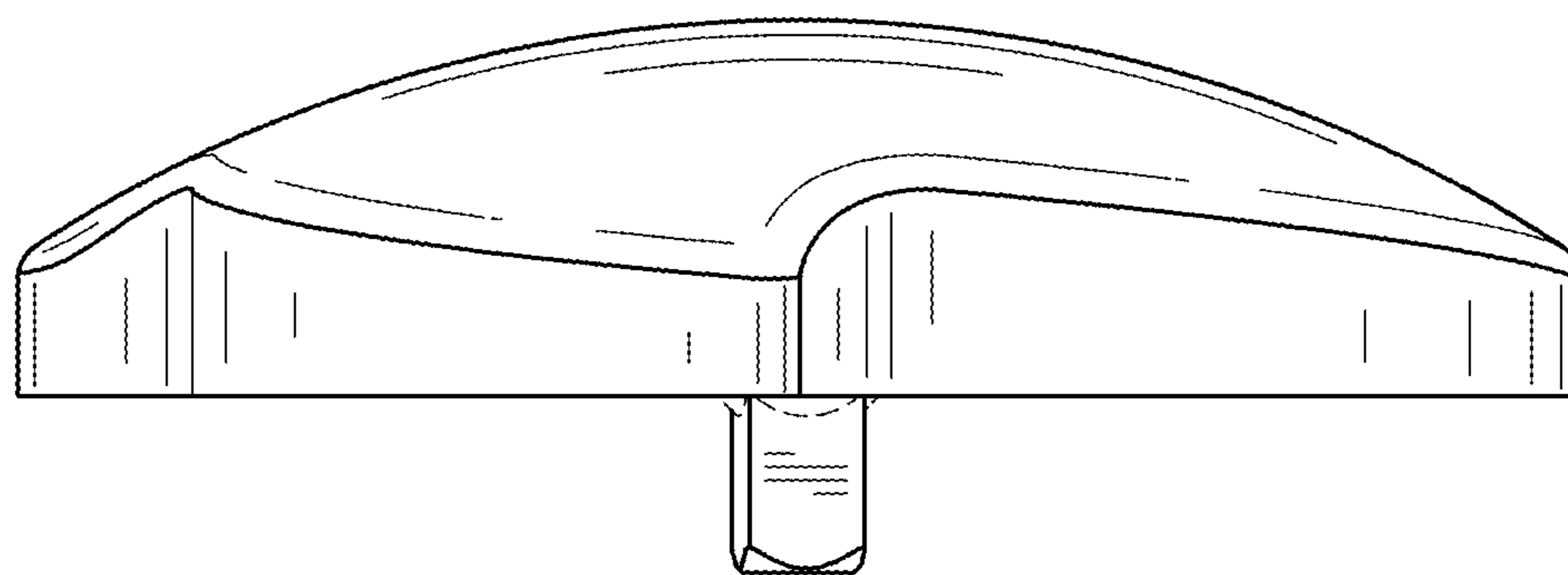


FIG. 3

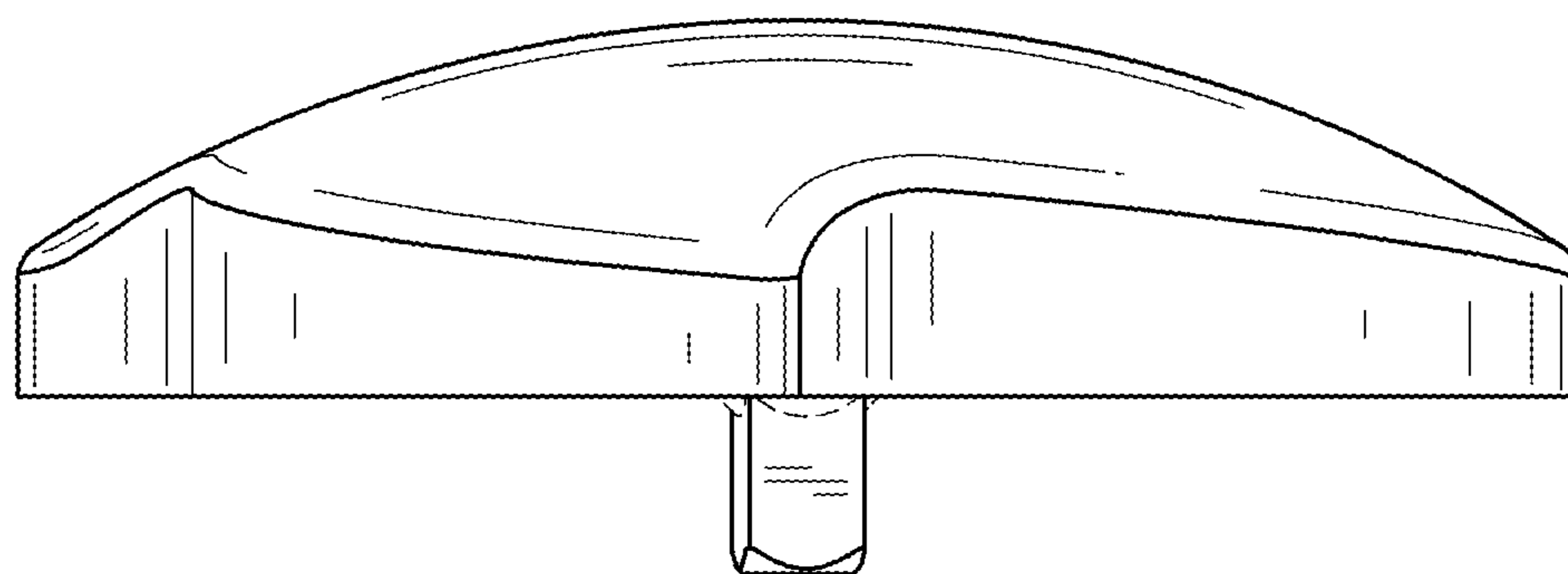


FIG. 4

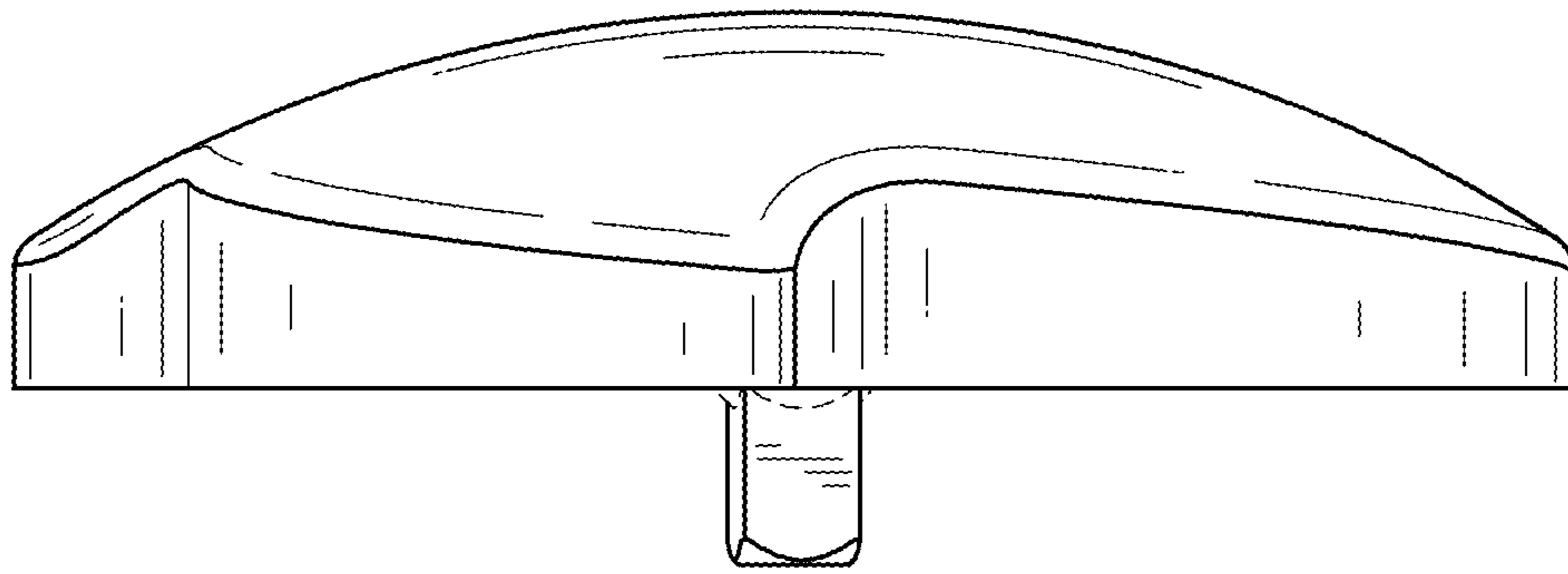


FIG. 5

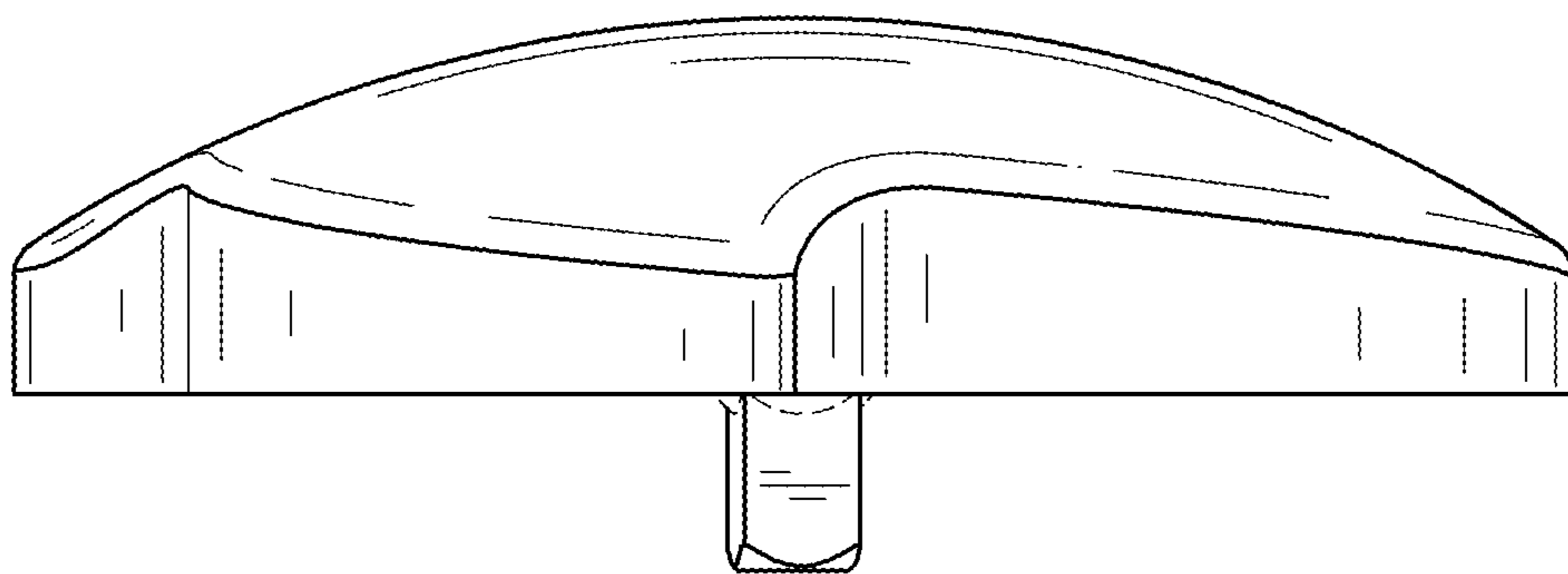


FIG. 6

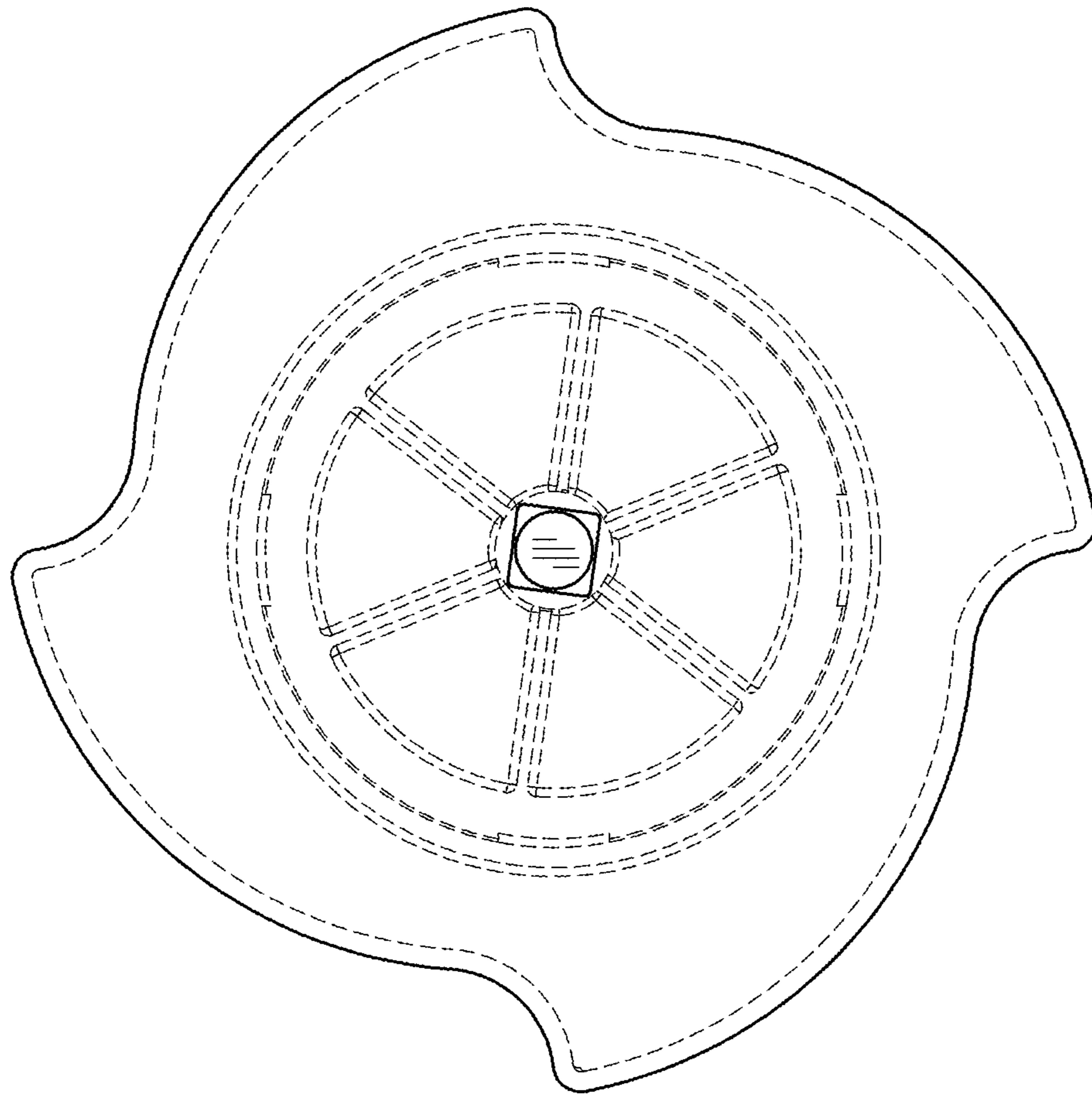


FIG. 7