



US00D932852S

(12) **United States Design Patent** (10) **Patent No.:** **US D932,852 S**
Schreiter (45) **Date of Patent:** **** Oct. 12, 2021**

(54) **CUTTING BOARDS WITH CONTAINERS**

(71) Applicant: **Johannes Schreiter**, Offenbach (DE)

(72) Inventor: **Johannes Schreiter**, Offenbach (DE)

(**) Term: **15 Years**

(21) Appl. No.: **29/760,148**

(22) Filed: **Nov. 30, 2020**

D372,176 S	7/1996	Meisner	
D418,327 S	1/2000	Sullins	
D553,012 S	10/2007	Changpan	
D574,200 S	8/2008	Pearl	
D655,939 S	3/2012	Tracy	
D745,788 S	12/2015	Schreiter	
D755,589 S	5/2016	Keating	
D803,640 S	11/2017	Grimm	
D852,010 S	6/2019	Banovic	
D905,513 S *	12/2020	Schreiter D7/698
2007/0001359 A1	1/2007	Pearl	
2016/0331185 A1	11/2016	Anderson	

Related U.S. Application Data

(62) Division of application No. 35/505,070, filed on Mar. 8, 2018 (U.S. filing date under 35 U.S.C. 384), and having an international filing date of Mar. 8, 2018, now Pat. No. Des. 905,513.

Foreign Application Priority Data

Oct. 20, 2017 (DE) 402017101143.3
Oct. 26, 2017 (DE) 402017101173.5

(51) **LOC (13) Cl.** **07-04**

(52) **U.S. Cl.**
USPC **D7/698**

(58) **Field of Classification Search**
USPC D7/698, 552.1-553.3, 550.1, 554.3,
D7/553.7, 555, 554.4, 213, 541, 549, 505;
D9/741, 737, 456, 761; D6/406.1, 406.3,
D6/406.6
CPC A47J 47/005; A47J 47/00; A47J 47/01;
B65D 1/36

See application file for complete search history.

(56) **References Cited**

U.S. PATENT DOCUMENTS

D288,650 S 3/1987 Mintz
D327,200 S 6/1992 Szablak

OTHER PUBLICATIONS

Screenshot: YouTube: Multi-Function Cutting Board with Shelf. Jul. 17, 2020; one page. Found online Dec. 28, 2020 at <https://www.youtube.com/watch?v=y9IRFIBBvBI> (Year: 2020).*

* cited by examiner

Primary Examiner — Robert M. Spear
(74) *Attorney, Agent, or Firm* — Clark & Brody LP

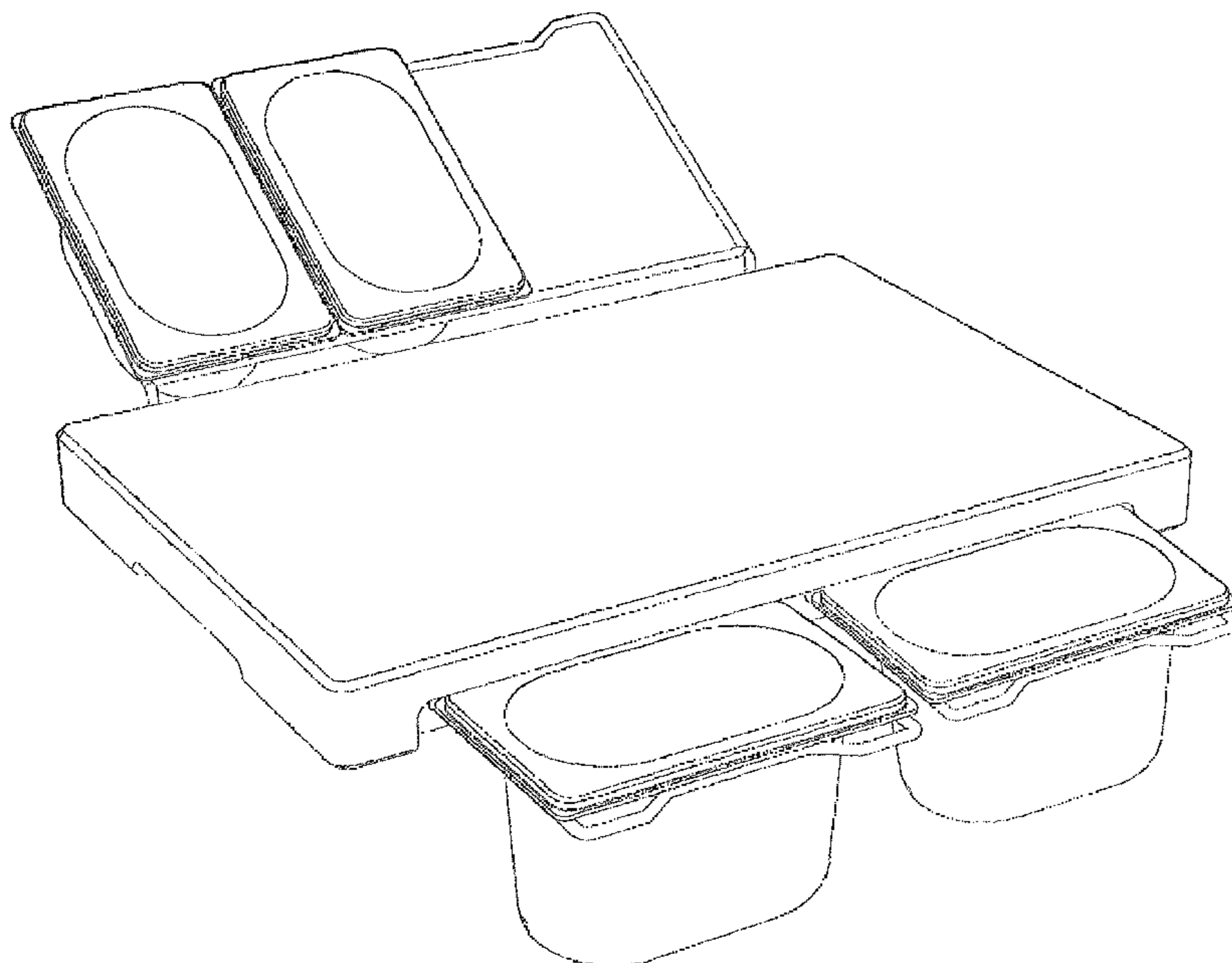
(57) **CLAIM**

The ornamental design for a cutting board with containers, as shown and described.

DESCRIPTION

FIG. 1 is a front view of a cutting board with containers showing my new design;
FIG. 2 is a top view thereof;
FIG. 3 is a right view thereof; and,
FIG. 4 is a left front top perspective view thereof.

1 Claim, 4 Drawing Sheets



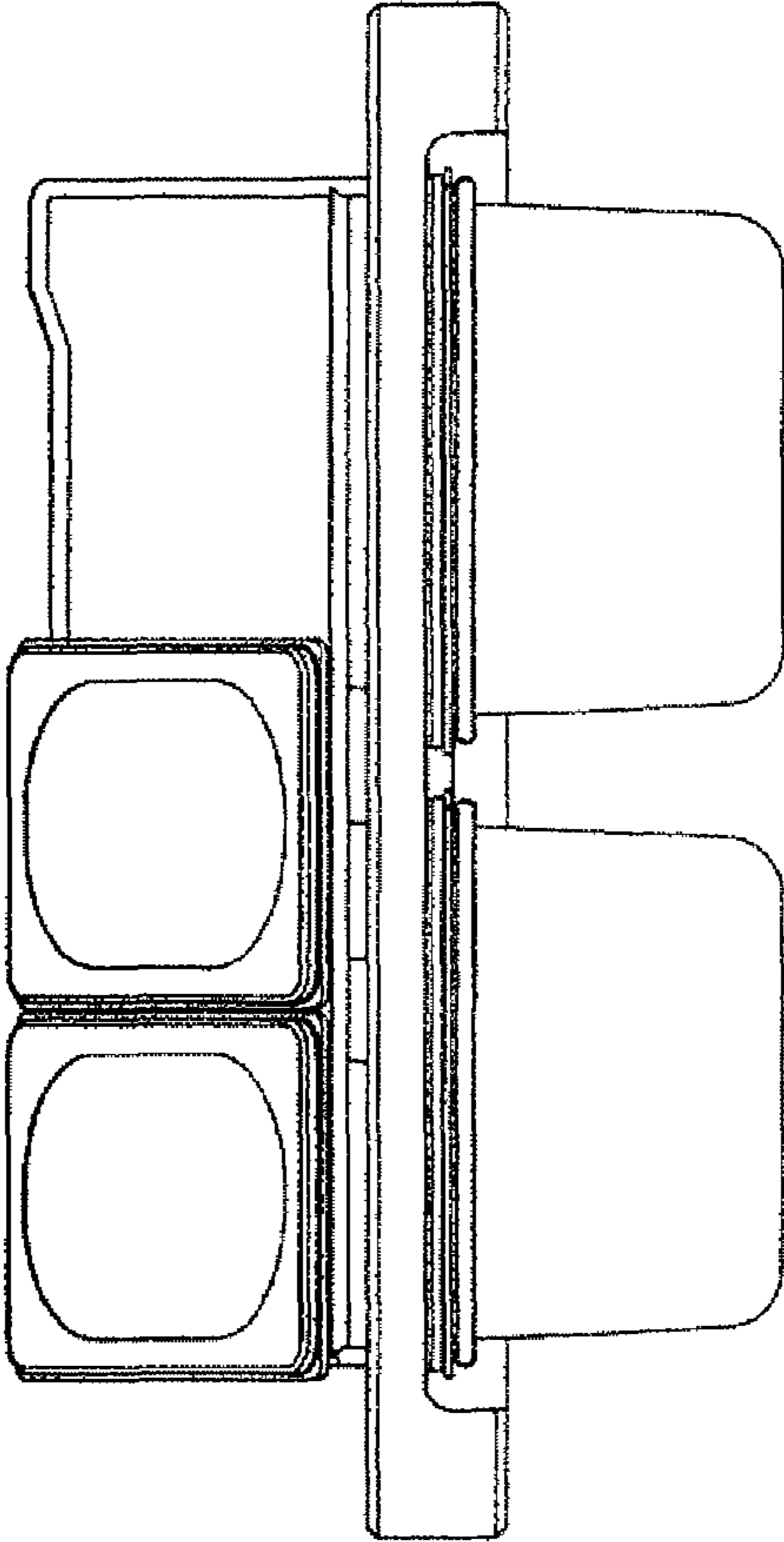
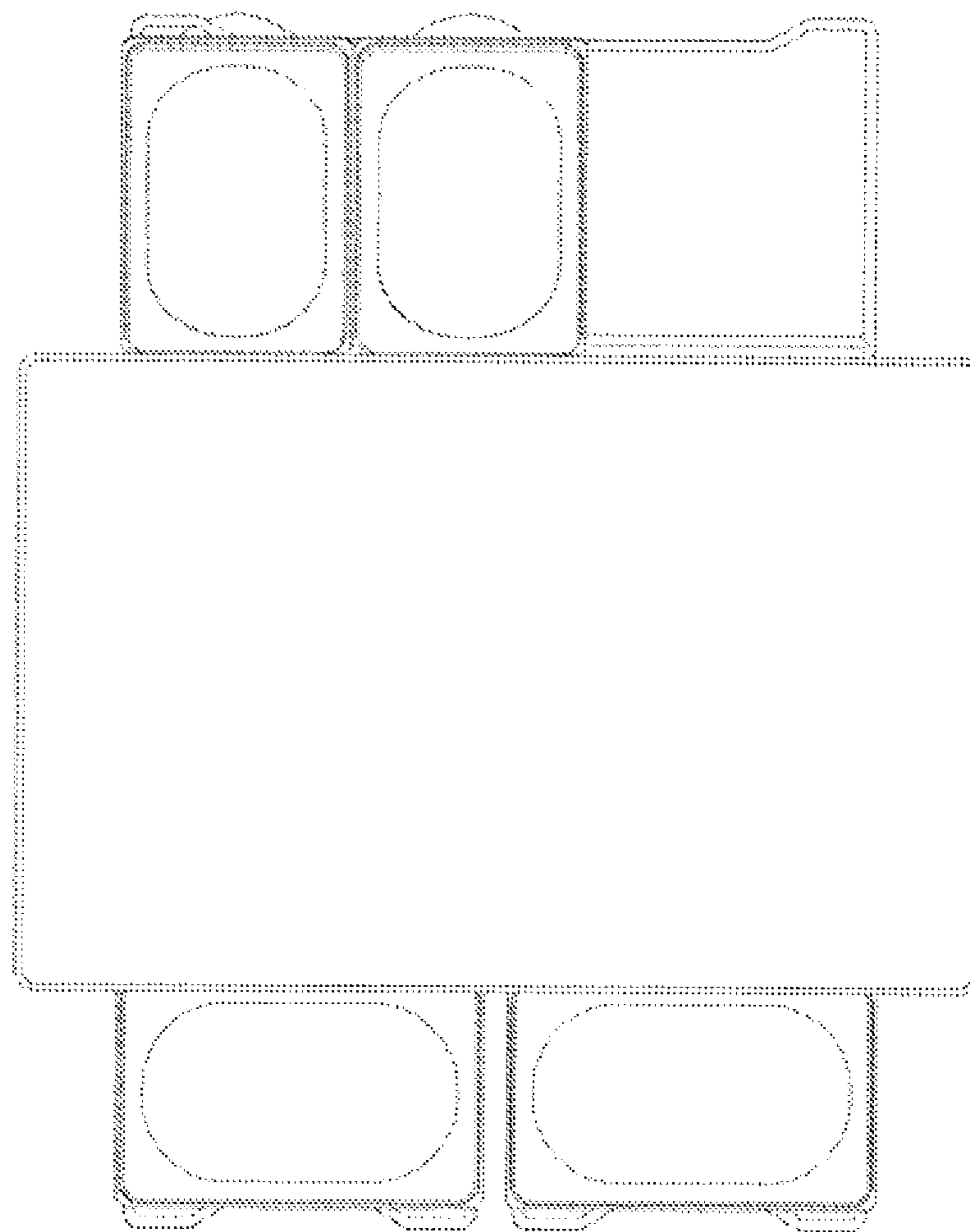


Figure 1

Figure 2



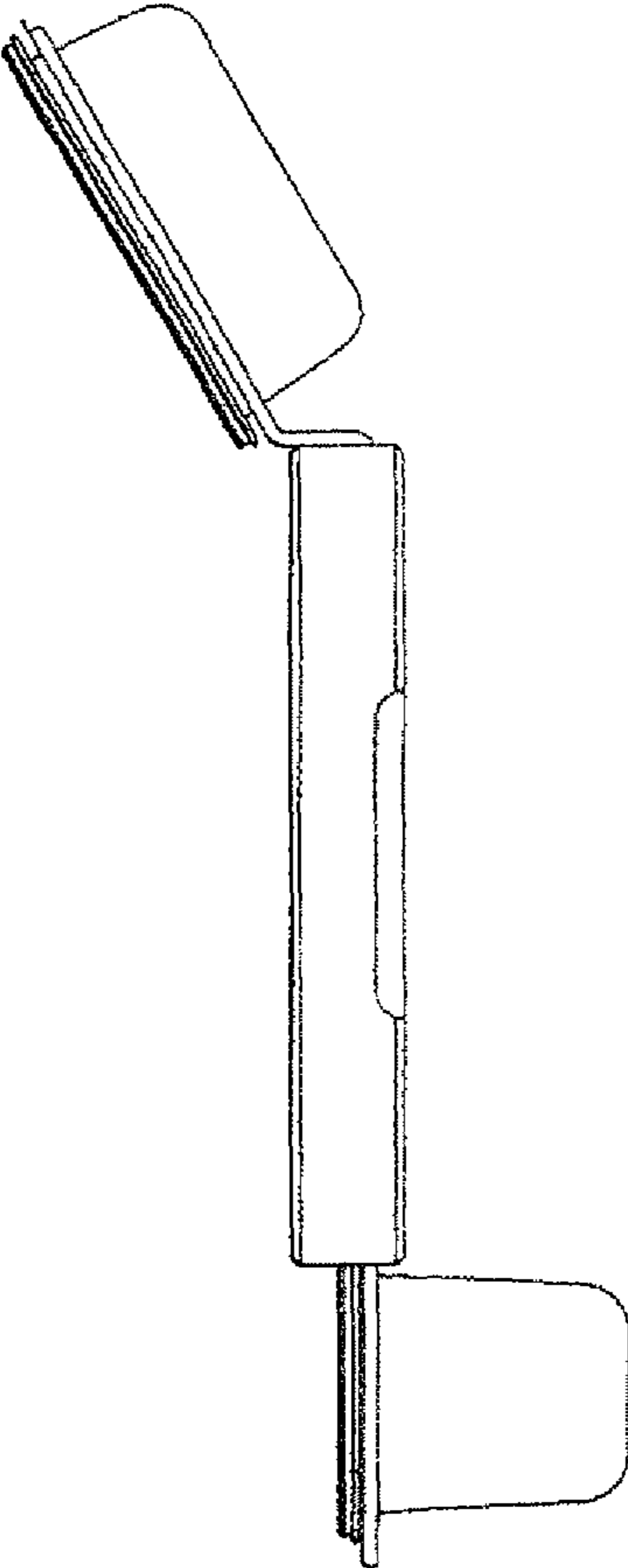


Figure 3

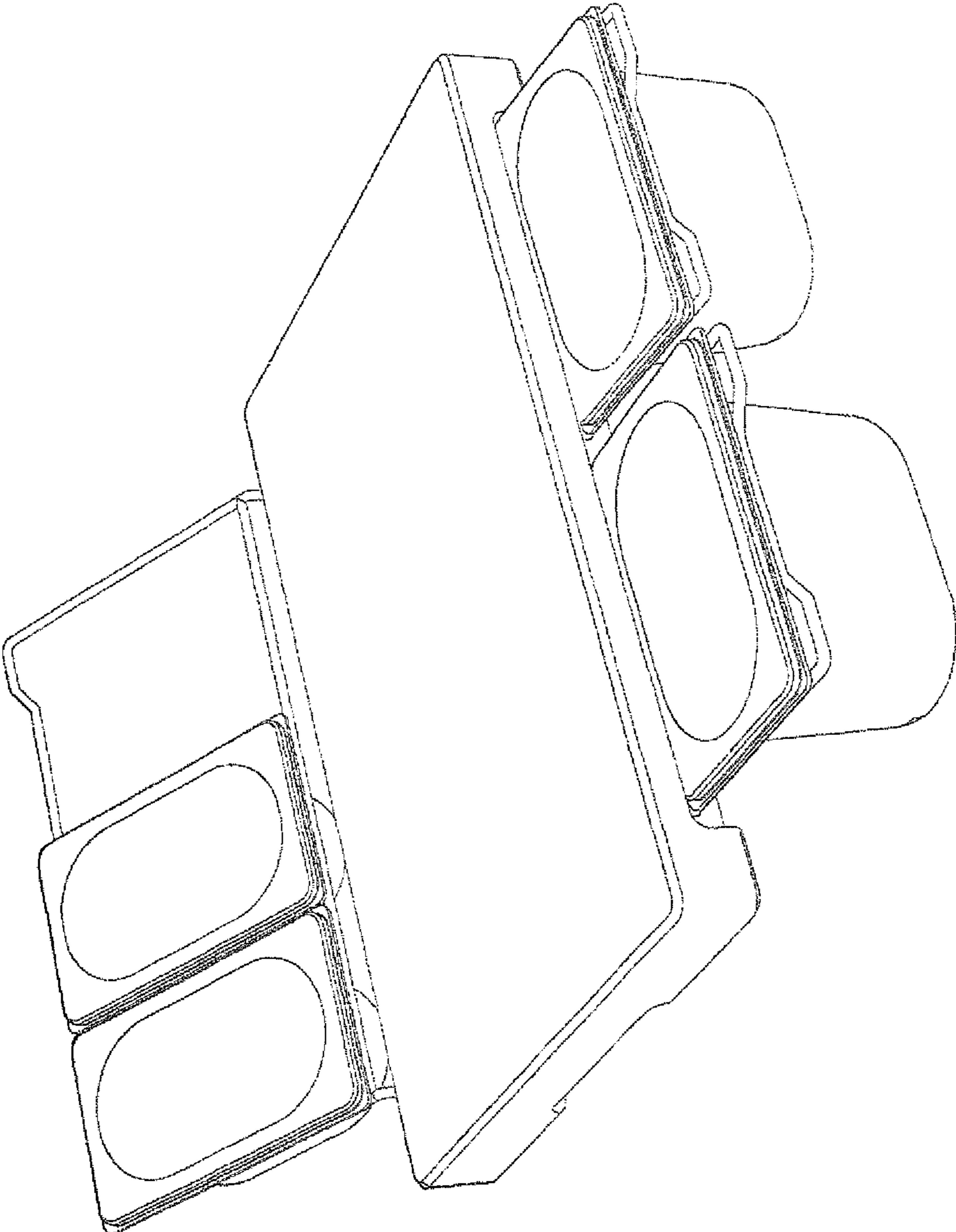


Figure 4