



US00D932844S

(12) **United States Design Patent**
Falkenberg

(10) **Patent No.:** **US D932,844 S**

(45) **Date of Patent:** **** *Oct. 12, 2021**

(54) **COASTER**

(71) Applicant: **Kyle Falkenberg**, San Diego, CA (US)

(72) Inventor: **Kyle Falkenberg**, San Diego, CA (US)

(*) Notice: This patent is subject to a terminal disclaimer.

(**) Term: **15 Years**

(21) Appl. No.: **29/667,010**

(22) Filed: **Oct. 17, 2018**

(51) **LOC (13) Cl.** **09-03**

(52) **U.S. Cl.**
USPC **D7/624.1**

(58) **Field of Classification Search**

USPC D7/500, 584, 602, 600.4, 601, 605, 607,
D7/608, 619.1, 620, 622, 624.1, 624.2,
D7/624.3, 701, 704; D8/373; D6/526
CPC A47G 23/02; A47G 23/0216; A47G
23/0225; A47G 7/044; A47B 73/004;
A47F 7/021; B01L 9/06; B60N 3/103;
B60N 3/102

See application file for complete search history.

(56) **References Cited**

U.S. PATENT DOCUMENTS

806,218 A * 12/1905 Walker A47G 23/03
428/66.5
2,014,268 A * 9/1935 Tenney A47G 23/03
215/394
3,363,869 A * 1/1968 Blundell A47G 23/03
248/346.11

(Continued)

OTHER PUBLICATIONS

AOBA-DO Website, Wooden Coaster, Publicat date Oct. 15, 2014,
[site visited May 25, 2020], Available on the Internet URL <http://blog.aoba-do.com/?eid=1337> (Year: 2014).*

Primary Examiner — Karen S Acker

Assistant Examiner — Steven B Reinholdt, Jr.

(74) *Attorney, Agent, or Firm* — Buche & Associates,
P.C.; John K. Buche; Bryce A. Johnson

(57) **CLAIM**

I claim the ornamental design for a coaster, as shown and described.

DESCRIPTION

FIG. 1. is a perspective view of a first embodiment of a coaster;

FIG. 2 is a front view of the coaster of FIG. 1;

FIG. 3 is a back view of the coaster of FIG. 1;

FIG. 4 is a right side view of the coaster of FIG. 1;

FIG. 5 is a left side view of the coaster of FIG. 1;

FIG. 6 is a top view of the coaster of FIG. 1;

FIG. 7 is a bottom view of the coaster of FIG. 1;

FIG. 8 is an exploded view of the coaster of FIG. 1;

FIG. 9 is a cross-section view of the coaster of FIG. 1 taken along line 9-9 in FIG. 6;

FIG. 10 is a perspective view of a second embodiment of a coaster;

FIG. 11 is a front view of the coaster of FIG. 10;

FIG. 12 is a back view of the coaster of FIG. 10;

FIG. 13 is a right side view of the coaster of FIG. 10;

FIG. 14 is a left side view of the coaster of FIG. 10;

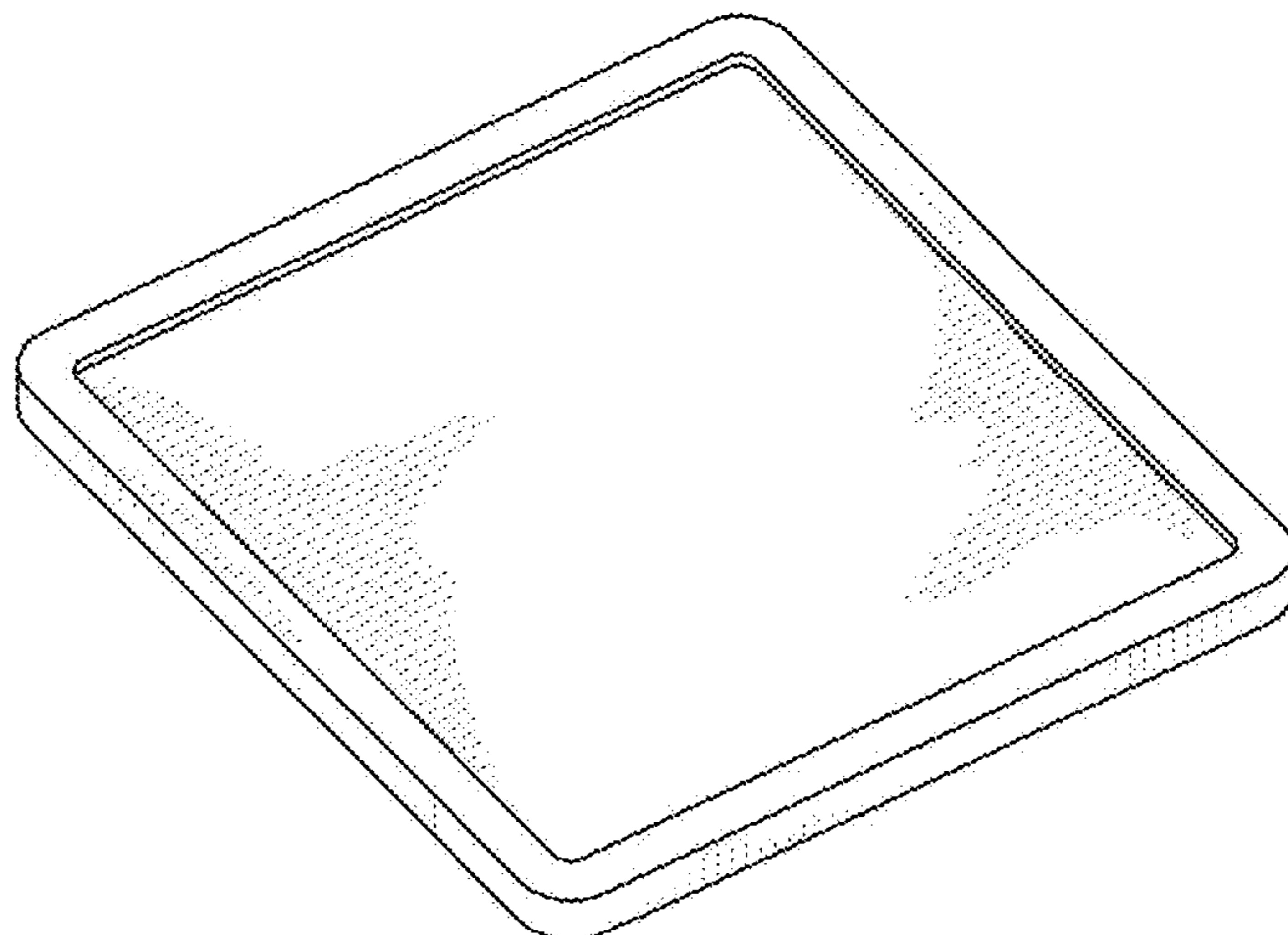
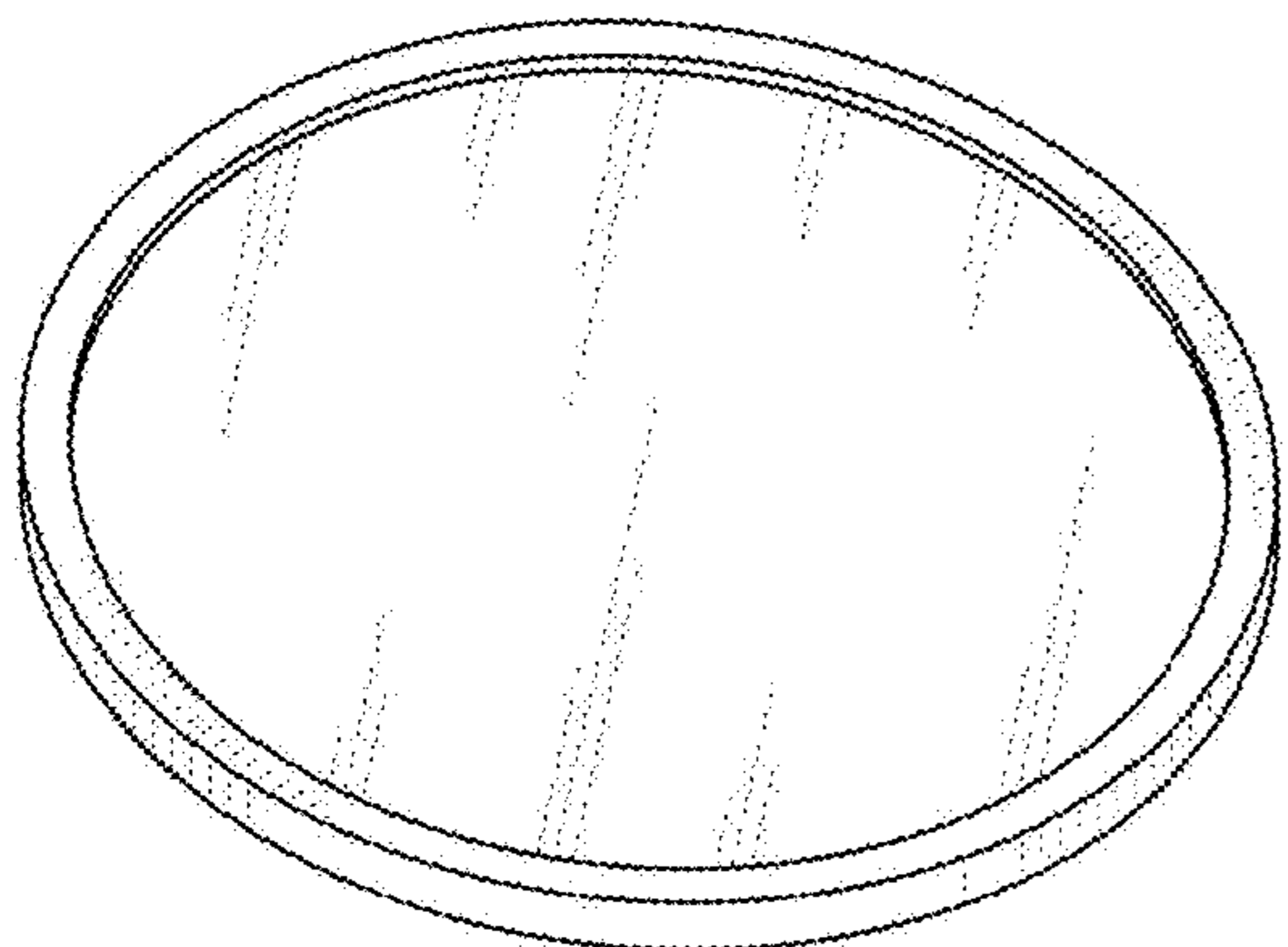
FIG. 15 is a top view of the coaster of FIG. 10;

FIG. 16 is a bottom view of the coaster of FIG. 10;

FIG. 17 is an exploded view of the coaster of FIG. 10; and,
FIG. 18 is a cross-section view of the coaster of FIG. 10 taken along line 18-18 in FIG. 15.

Broken lines illustrate environmental features and form no part of the claimed design. The oblique lines and the areas within them in FIGS. 1 and 6 depict a transparent surface. The broken lines and the areas within them in FIGS. 8, 9, 17, and 18 depict portions of the coaster that form no part of the claimed design. The broken lines in FIGS. 6 and 15 depict cross-sectional cuts that form no part of the claimed design.

1 Claim, 8 Drawing Sheets



(56)

References Cited

U.S. PATENT DOCUMENTS

D286,399 S * 10/1986 Willy D14/222
4,978,567 A * 12/1990 Miller C23C 14/50
117/900
D317,697 S * 6/1991 Lage D7/392.1
D339,830 S * 9/1993 Adell D21/371
D343,206 S * 1/1994 Adell D21/371
D353,343 S * 12/1994 Eberhardt D10/104.1
D357,388 S * 4/1995 Gaffin D7/625
5,533,636 A * 7/1996 Reiker E04B 9/006
174/66
D378,578 S * 3/1997 Eberhardt D10/104.1
D402,162 S * 12/1998 Hagar D7/625
D428,776 S * 8/2000 Shuman D7/624.1
6,102,352 A * 8/2000 Kvalvog A47G 23/03
248/346.11
D489,578 S * 5/2004 Lai D7/624.1
D583,394 S * 12/2008 Ota D15/138
D583,395 S * 12/2008 Ueda D15/138
D589,658 S * 3/2009 Dye, Jr. D30/123
D635,829 S * 4/2011 Morrish D7/388
D677,994 S * 3/2013 Williams D7/624.1
9,186,005 B1 * 11/2015 Ferrier, Jr. A47G 19/2227
D751,348 S * 3/2016 Smith D7/624.1
9,974,404 B1 * 5/2018 Karcewski F16B 47/00
D823,647 S * 7/2018 Curl, Jr. D7/624.1
D830,981 S * 10/2018 Jeong D13/182
D848,224 S * 5/2019 DeBoer D7/624.1
D852,628 S * 7/2019 Zerebny D9/455
D869,249 S * 12/2019 Mitchell D7/624.1
D871,166 S * 12/2019 DeBoer D7/624.1

* cited by examiner

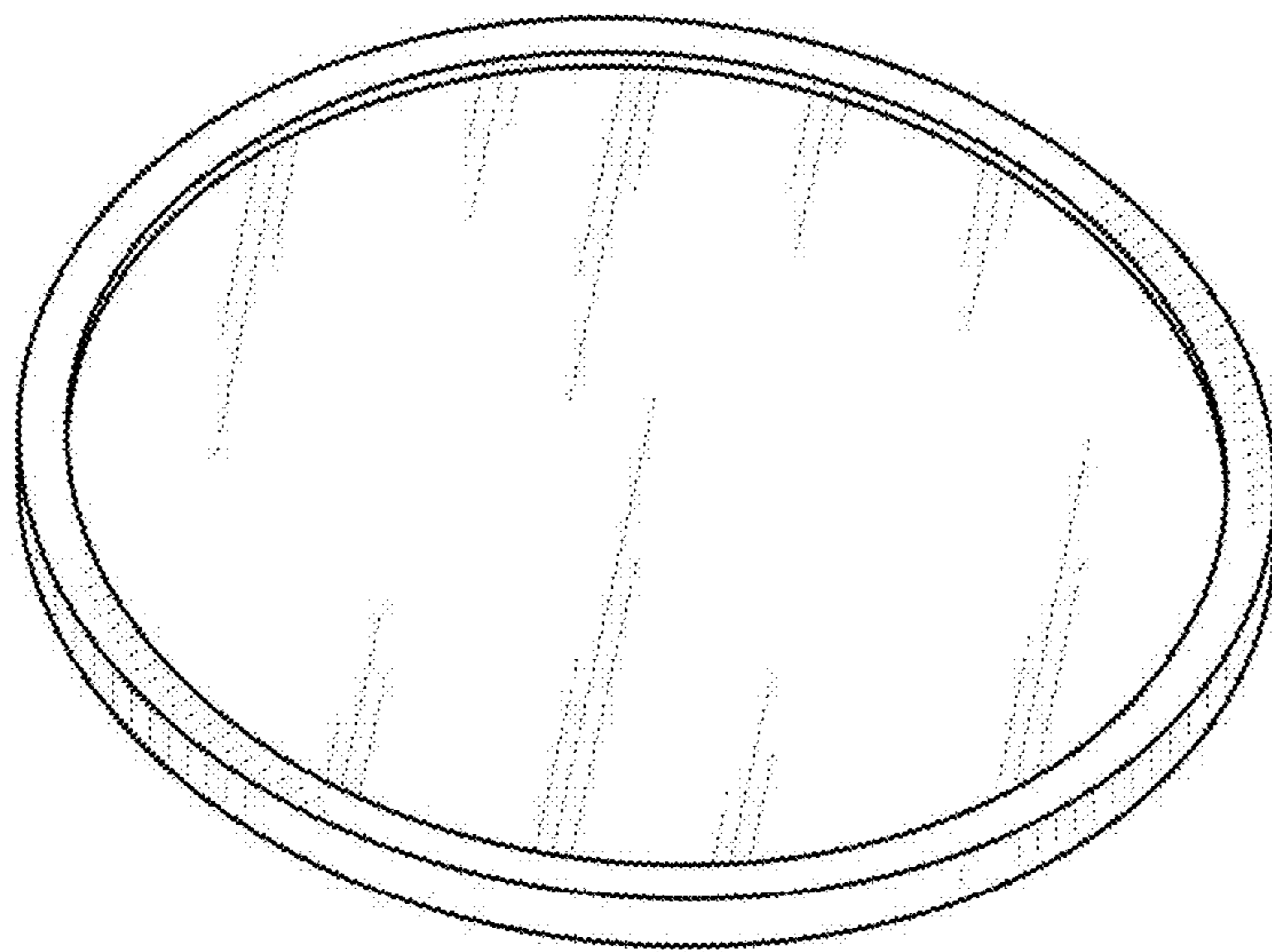


FIG. 1



FIG. 2



FIG. 3



FIG. 4

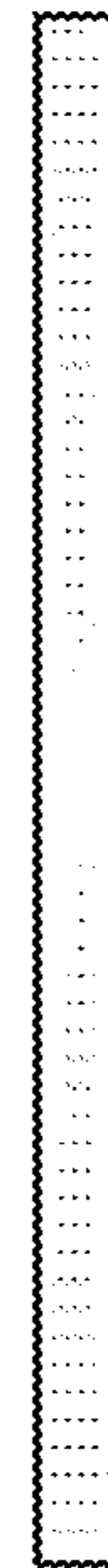


FIG. 5

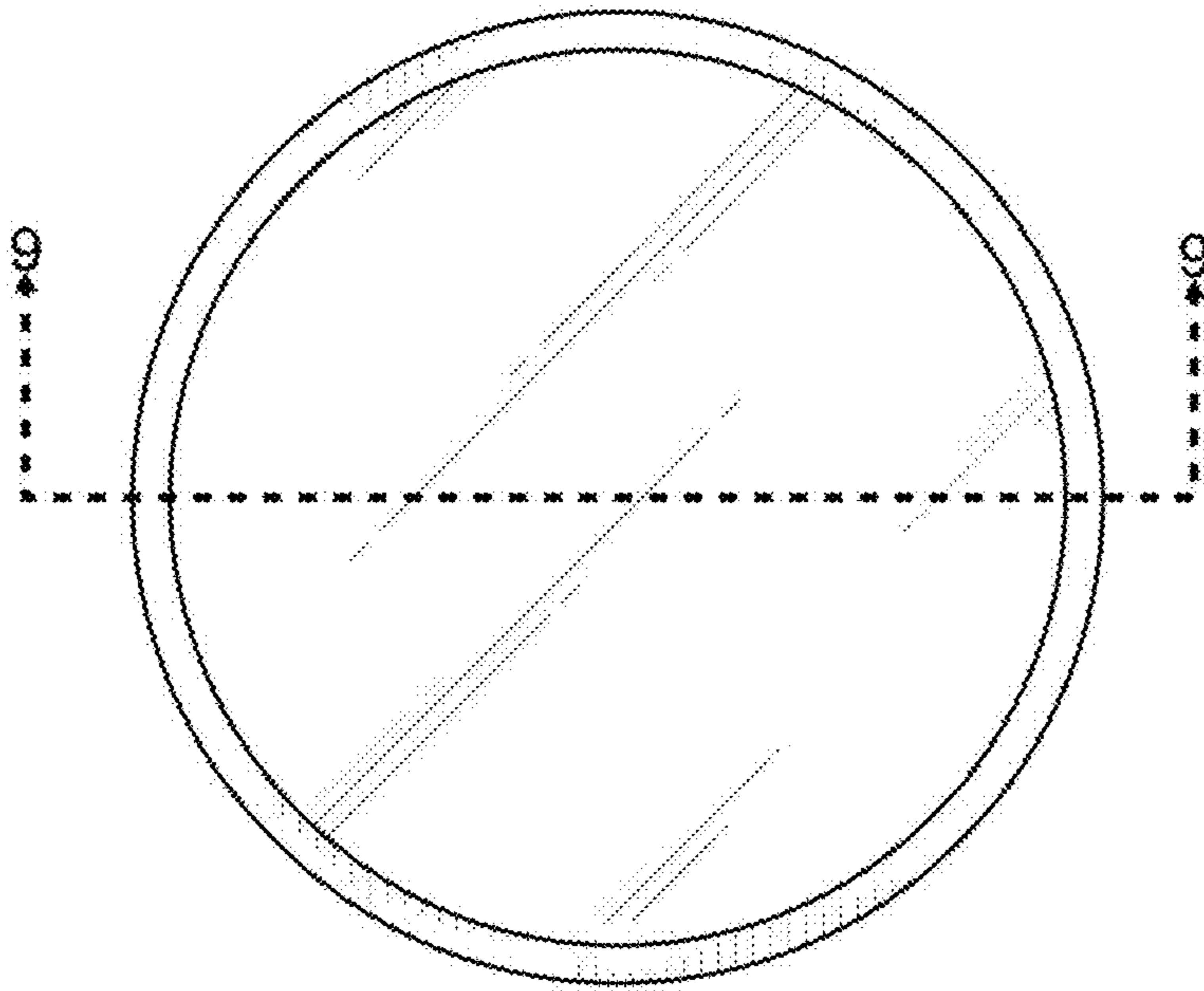


FIG. 6

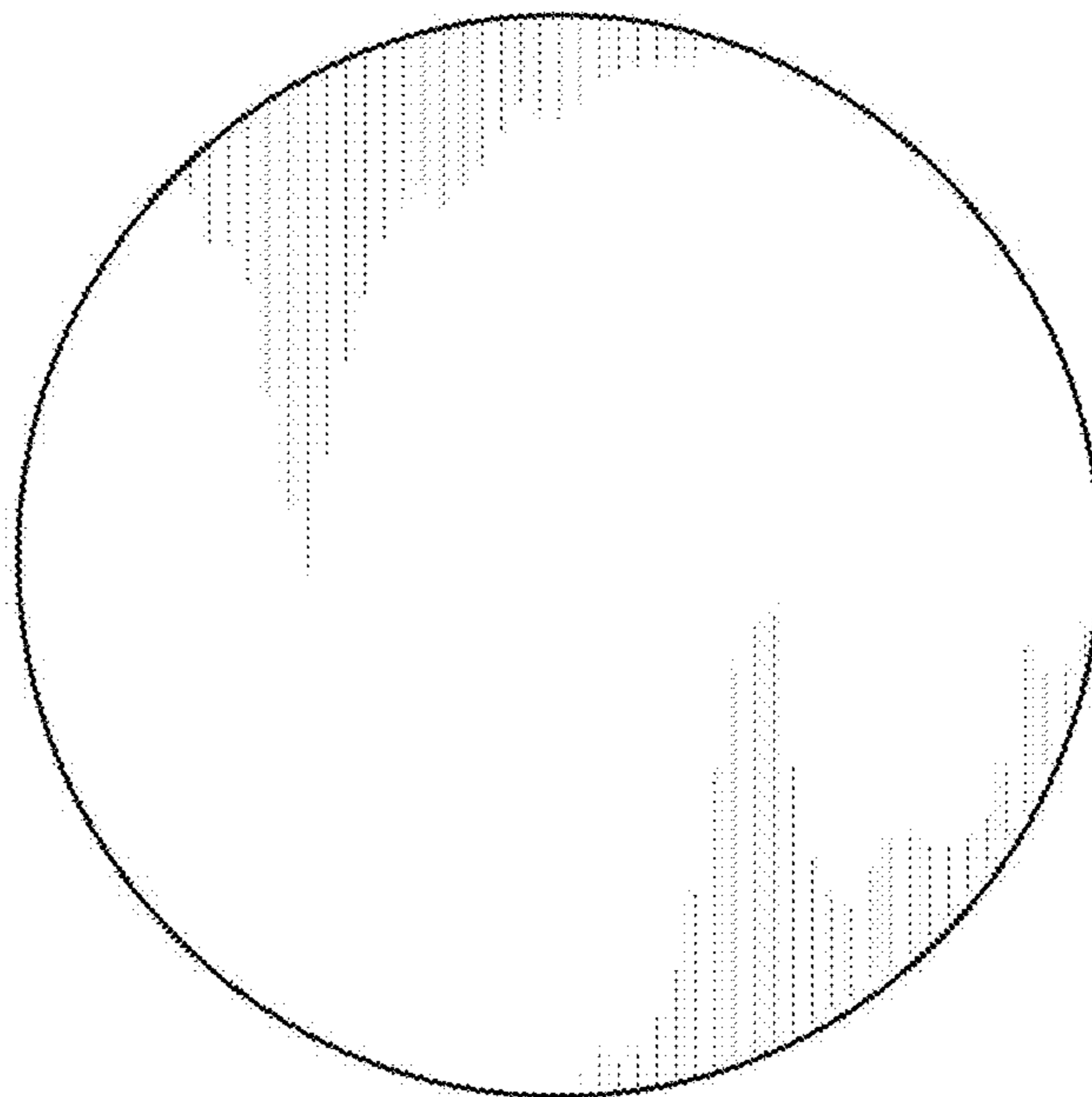


FIG. 7

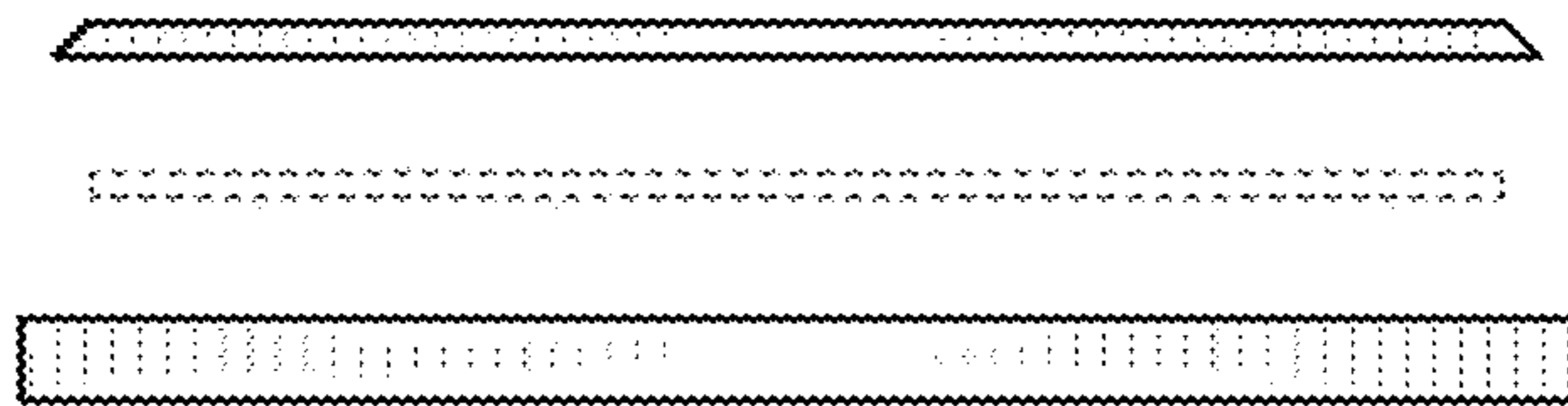


FIG. 8

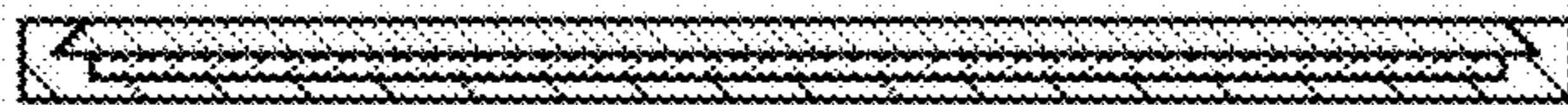


FIG. 9

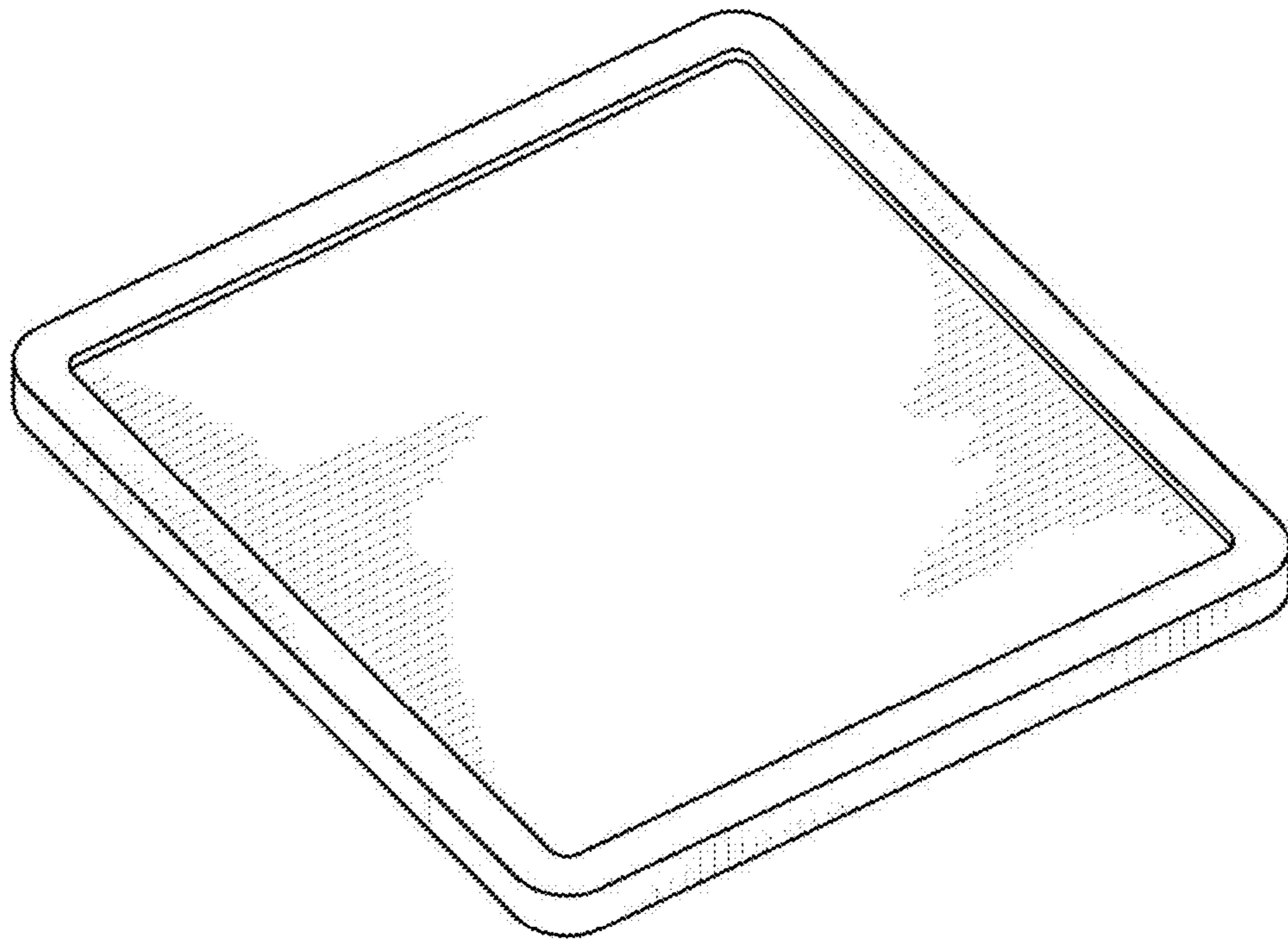


FIG. 10



FIG. 11



FIG. 12



FIG. 13



FIG. 14

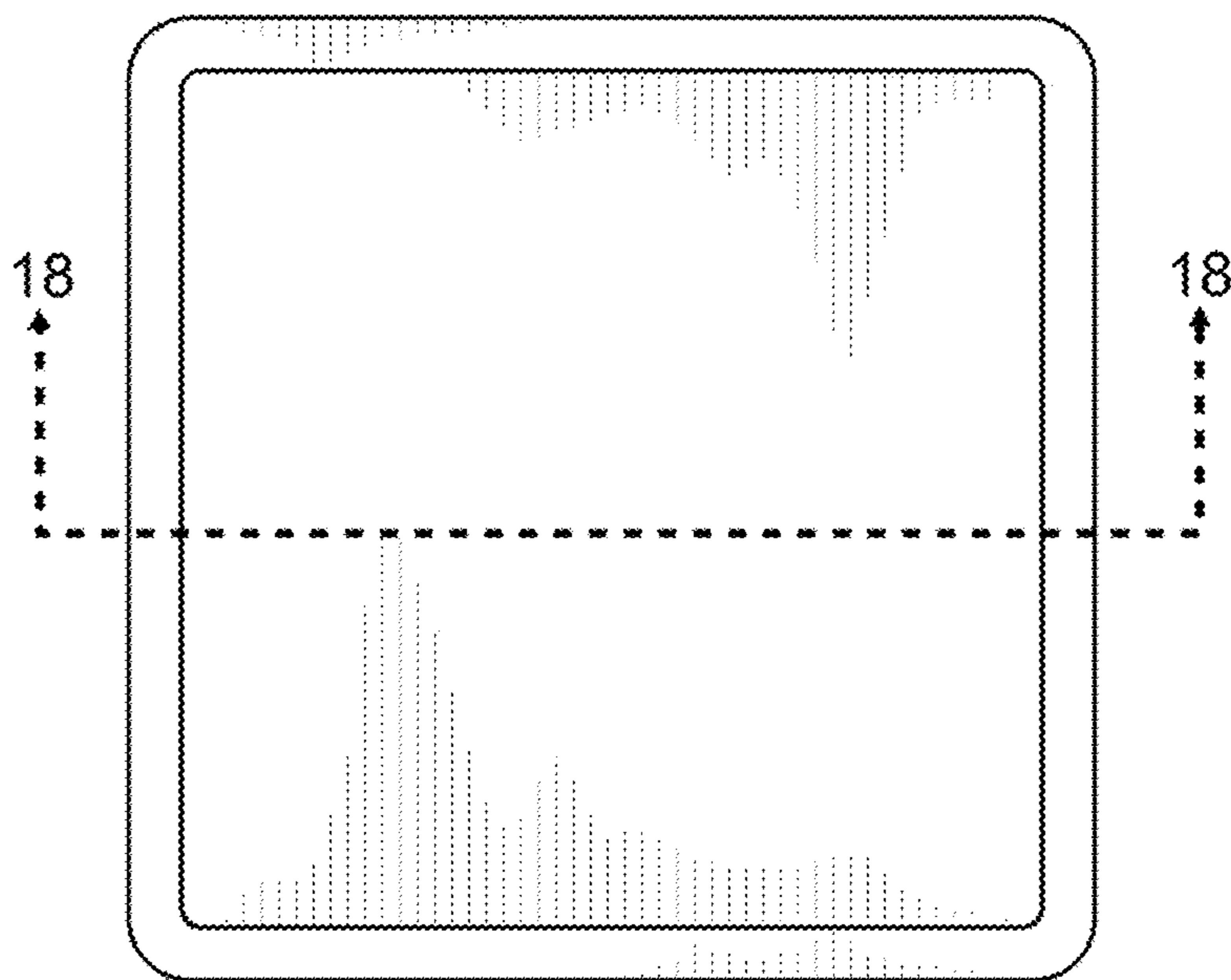


FIG. 15

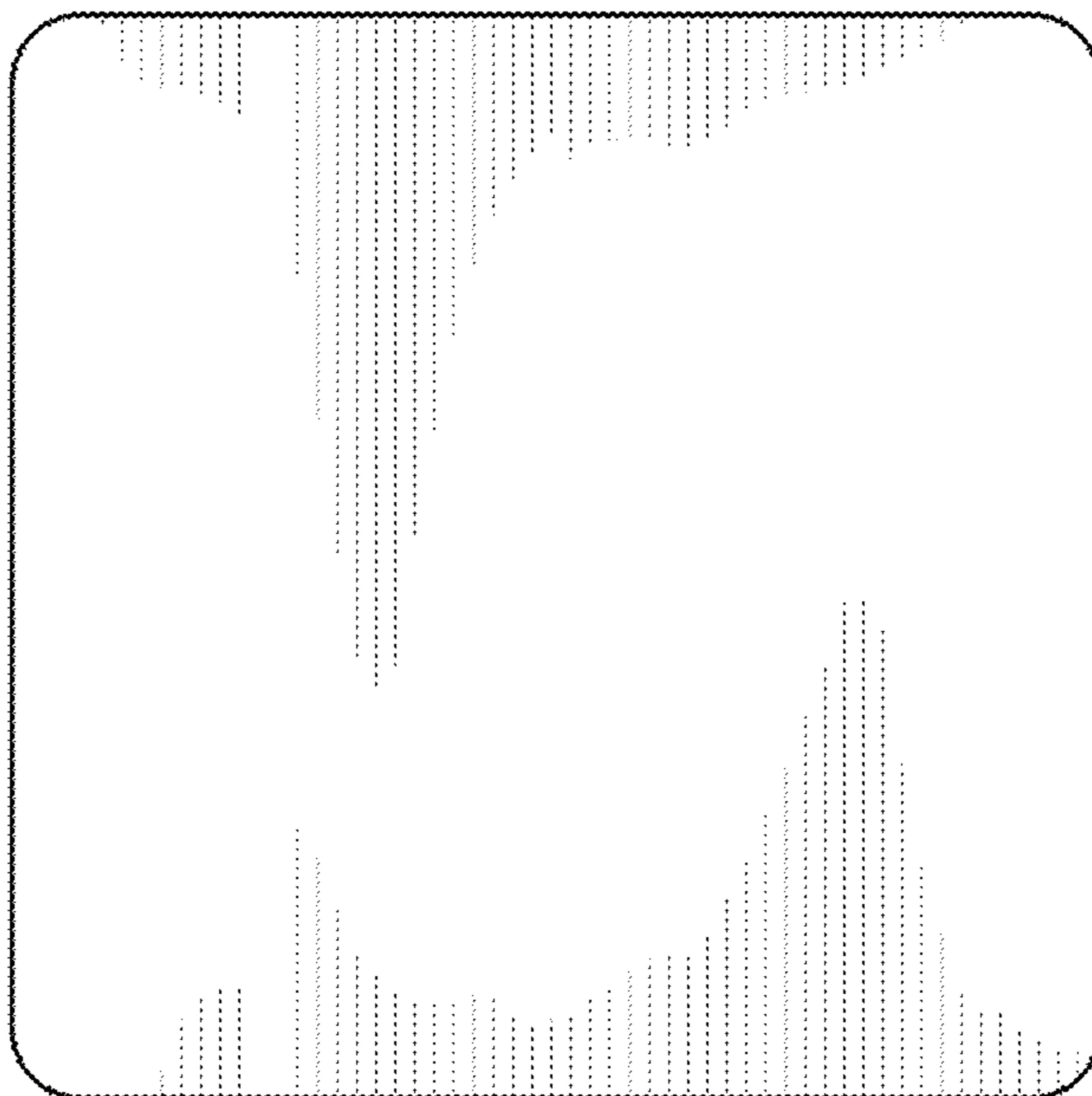


FIG. 16

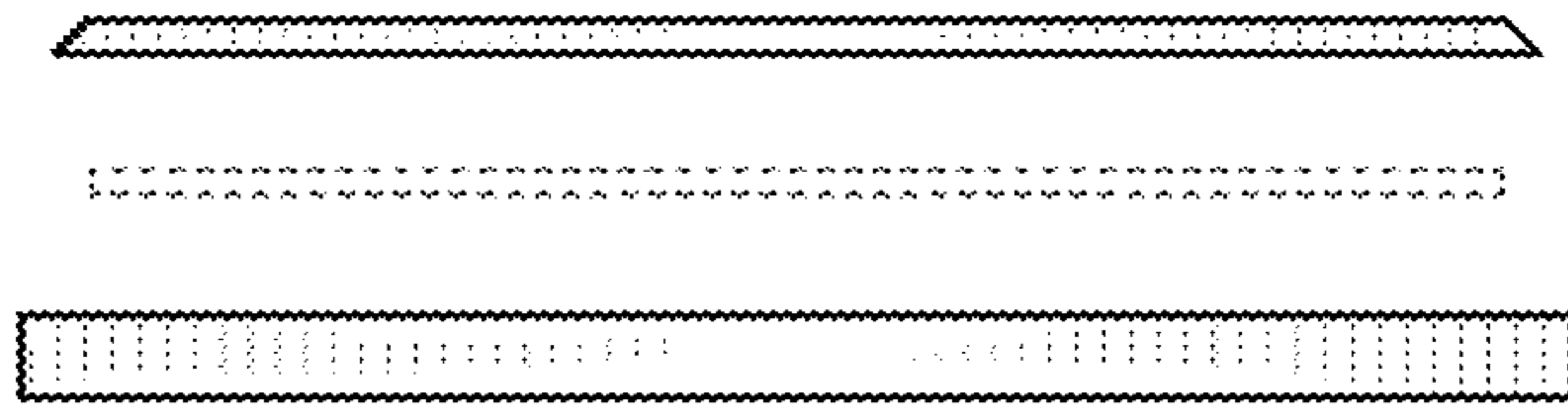


FIG. 17

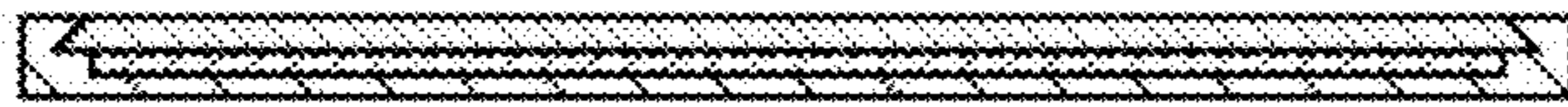


FIG. 18