



US00D932841S

(12) **United States Design Patent** (10) **Patent No.:** **US D932,841 S**
Kouza (45) **Date of Patent:** **** Oct. 12, 2021**

(54) **ICE BUCKET SET**

(71) Applicant: **Yvonne Kouza**, Bonita, CA (US)

(72) Inventor: **Yvonne Kouza**, Bonita, CA (US)

(**) Term: **15 Years**

(21) Appl. No.: **29/708,866**

(22) Filed: **Oct. 10, 2019**

(51) **LOC (13) Cl.** **07-01**

(52) **U.S. Cl.**
USPC **D7/603**

(58) **Field of Classification Search**
USPC D7/603-608, 538-542, 584, 586, 587,
D7/543, 545, 602, 629, 630
CPC A47G 19/027; A47G 19/2205; A47G
2019/122; A01K 7/00; A01K 7/027;
B65D 43/0218; B65D 43/267; B65D
81/18; F25D 3/08; A47J 41/00
See application file for complete search history.

(56) **References Cited**

U.S. PATENT DOCUMENTS

- 5,088,301 A * 2/1992 Piepenbrink A47G 19/027
62/457.1
- D448,249 S * 9/2001 DeCastro D7/605
- 6,318,114 B1 * 11/2001 Slaughter B65D 81/382
62/371
- D780,522 S * 3/2017 Howell D7/605
- D842,046 S * 3/2019 Lin D7/603
- D842,047 S * 3/2019 Jordan D7/605

* cited by examiner

Primary Examiner — Terry A Wallace

(74) *Attorney, Agent, or Firm* — Keeley DeAngelo LLP;
W Scott Keeley

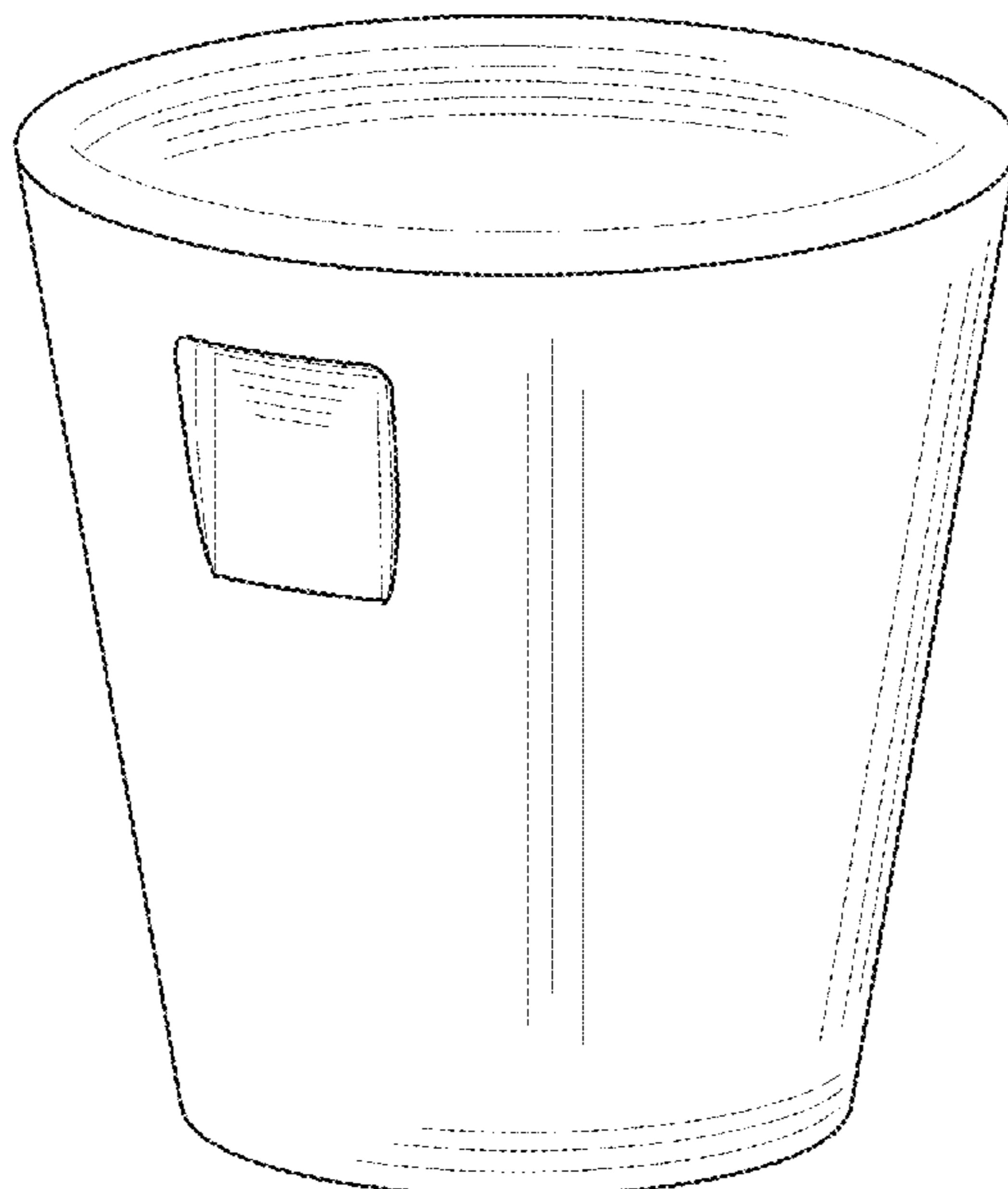
(57) **CLAIM**

The ornamental design for an ice bucket set, as shown and described.

DESCRIPTION

FIG. 1 is a front perspective view of an ice bucket of the present embodiment;
 FIG. 2 is a bottom perspective view thereof;
 FIG. 3 is a front perspective, exploded view thereof;
 FIG. 4 is a cross section view, thereof;
 FIG. 5 is a front orthographic view, with the rear view a mirror image thereof;
 FIG. 6 is a right orthographic view, with the left side view a mirror image thereof, showing the cross section 4-4;
 FIG. 7 is a top orthographic view thereof;
 FIG. 8 is a bottom orthographic view thereof;
 FIG. 9 is a front perspective view of a first iteration of an ice bucket of the present embodiment;
 FIG. 10 is a bottom perspective view thereof;
 FIG. 11 is a front perspective, exploded view thereof;
 FIG. 12 is a cross section view, thereof;
 FIG. 13 is a front orthographic view, with the rear view a mirror image thereof;
 FIG. 14 is a right orthographic view, with the left side view a mirror image thereof, showing the cross section 12-12;
 FIG. 15 is a top orthographic view thereof;
 FIG. 16 is a bottom orthographic view thereof;
 FIG. 17 is a front perspective view of a second iteration of an ice bucket of the present embodiment;
 FIG. 18 is a bottom perspective view thereof;
 FIG. 19 is a front perspective, exploded view thereof;
 FIG. 20 is a cross section view, thereof;
 FIG. 21 is a front orthographic view, with the rear view a mirror image thereof;
 FIG. 22 is a right orthographic view, with the left side view a mirror image thereof, showing the cross section 20-20;
 FIG. 23 is a top orthographic view thereof; and,
 FIG. 24 is a bottom orthographic view thereof.
 The portions shown in broken lines are for illustrative purposes only, and form no part of the claimed design.

1 Claim, 24 Drawing Sheets



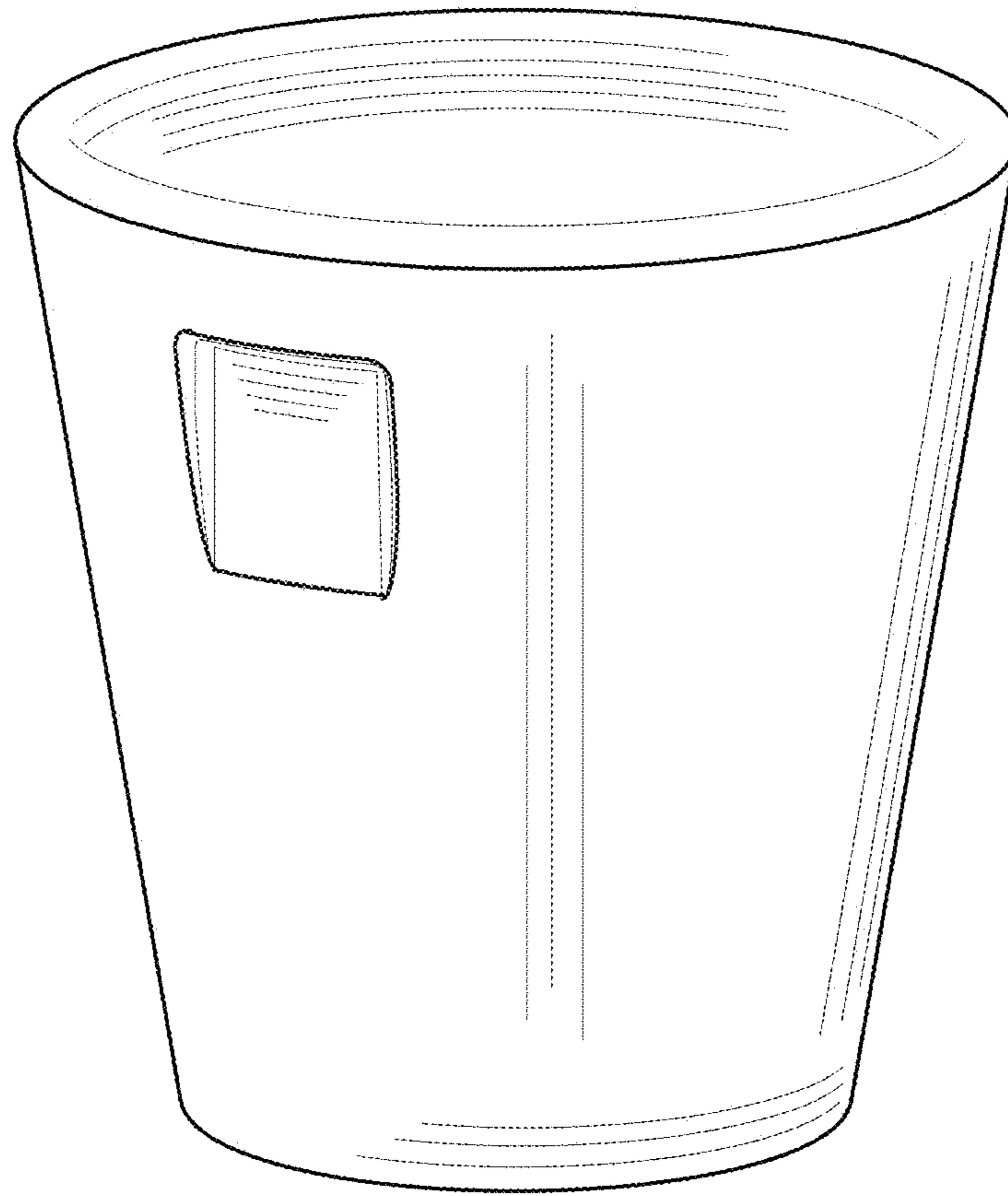


Figure 1

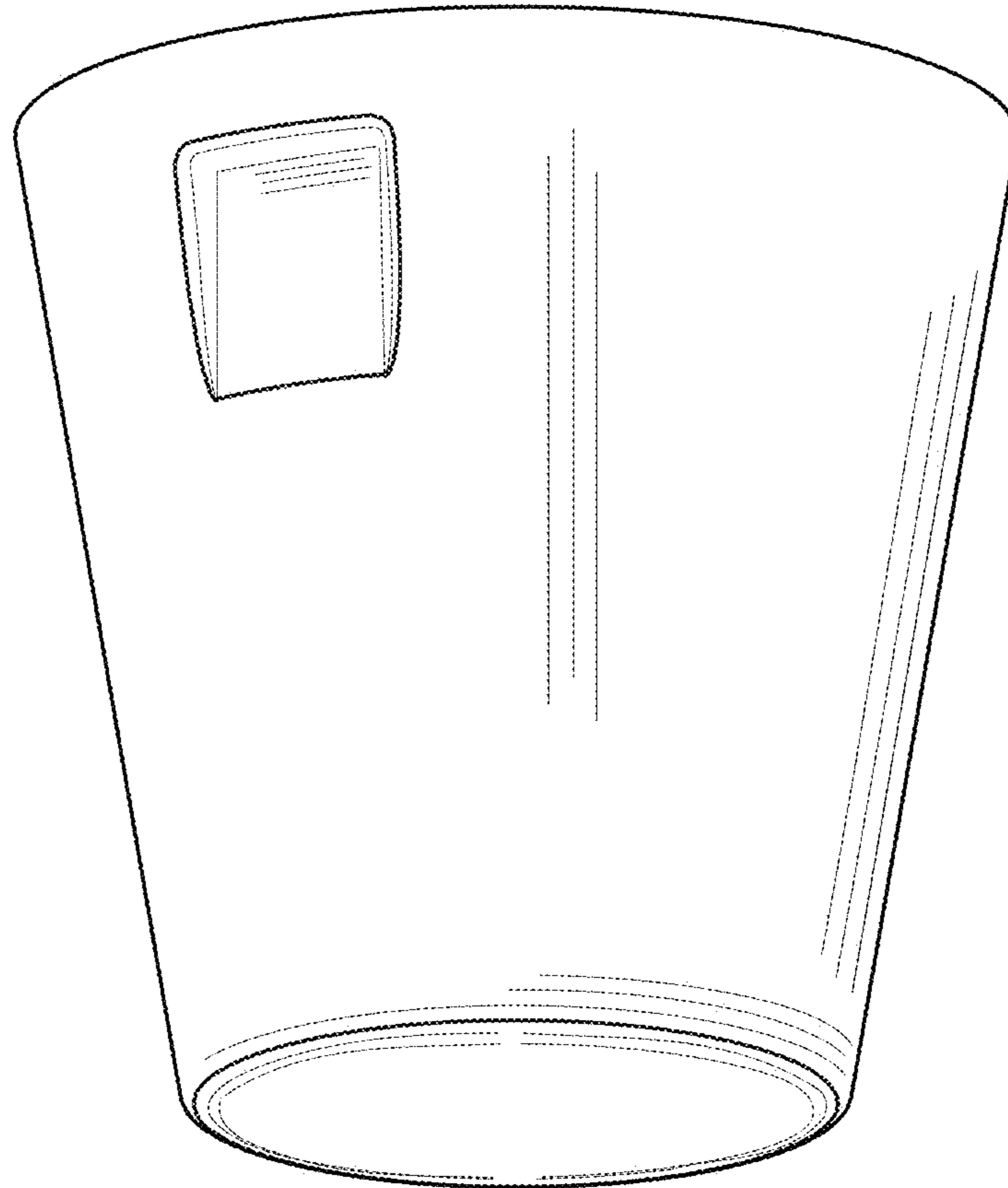


Figure 2

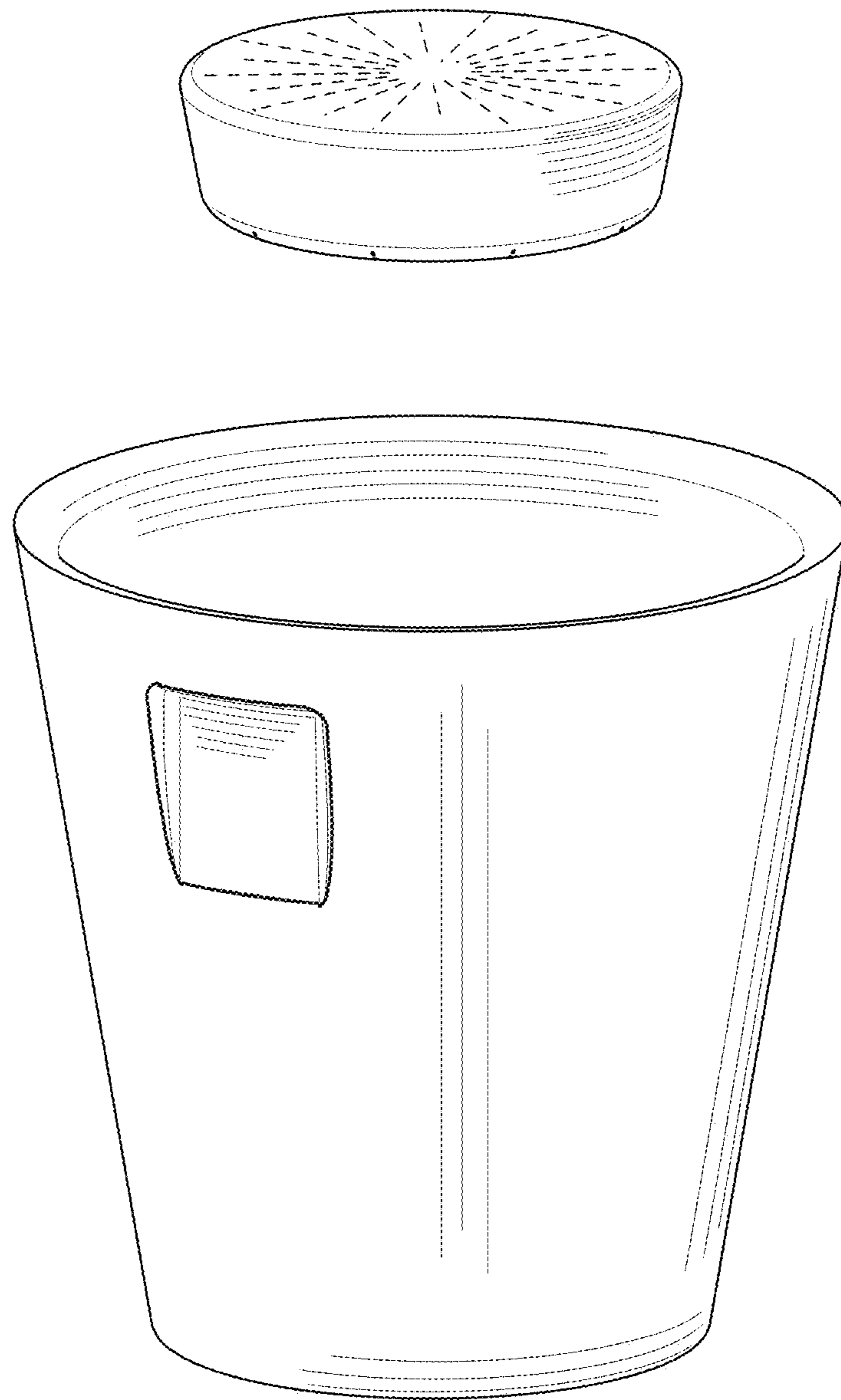


Figure 3

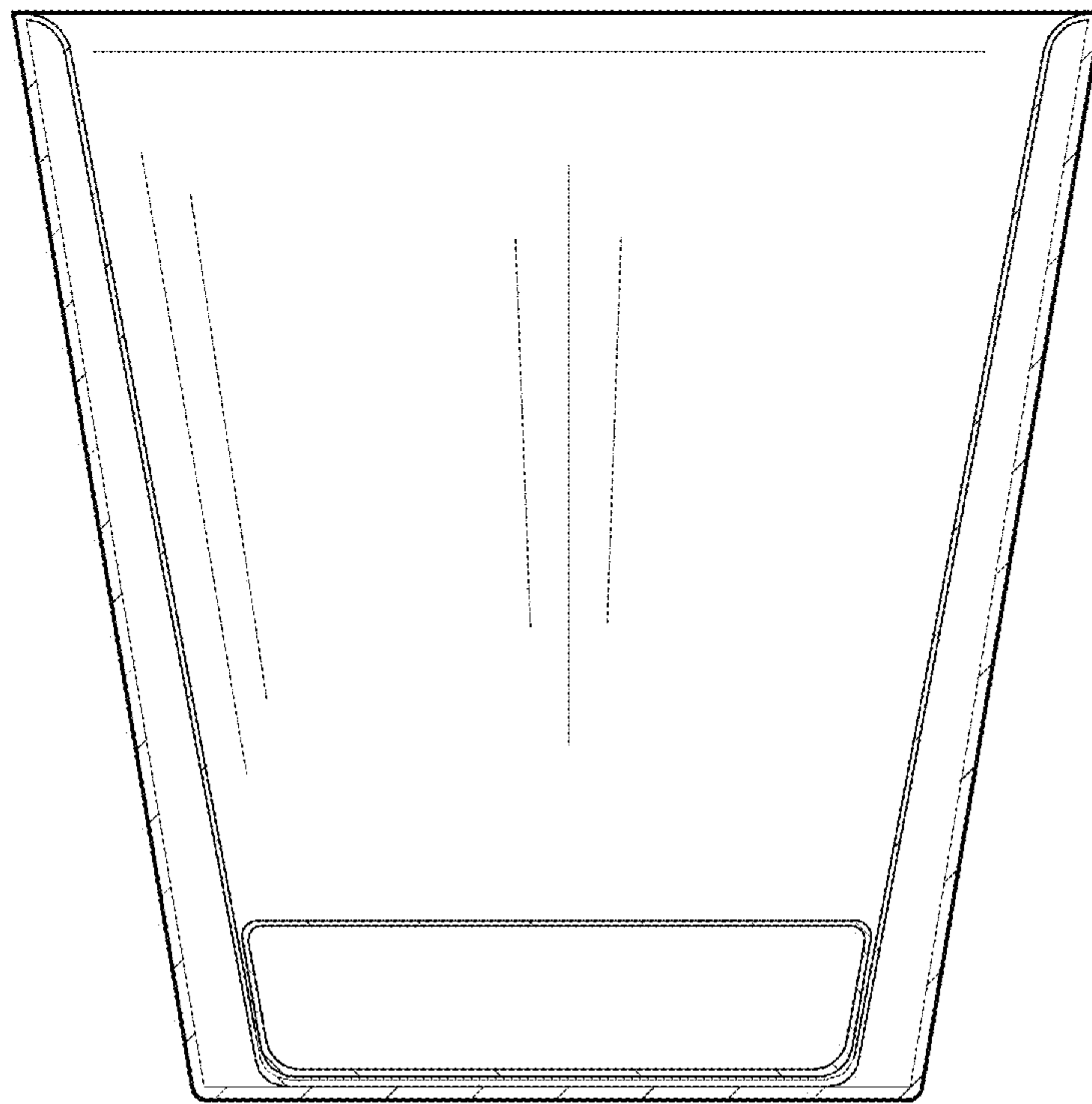


Figure 4

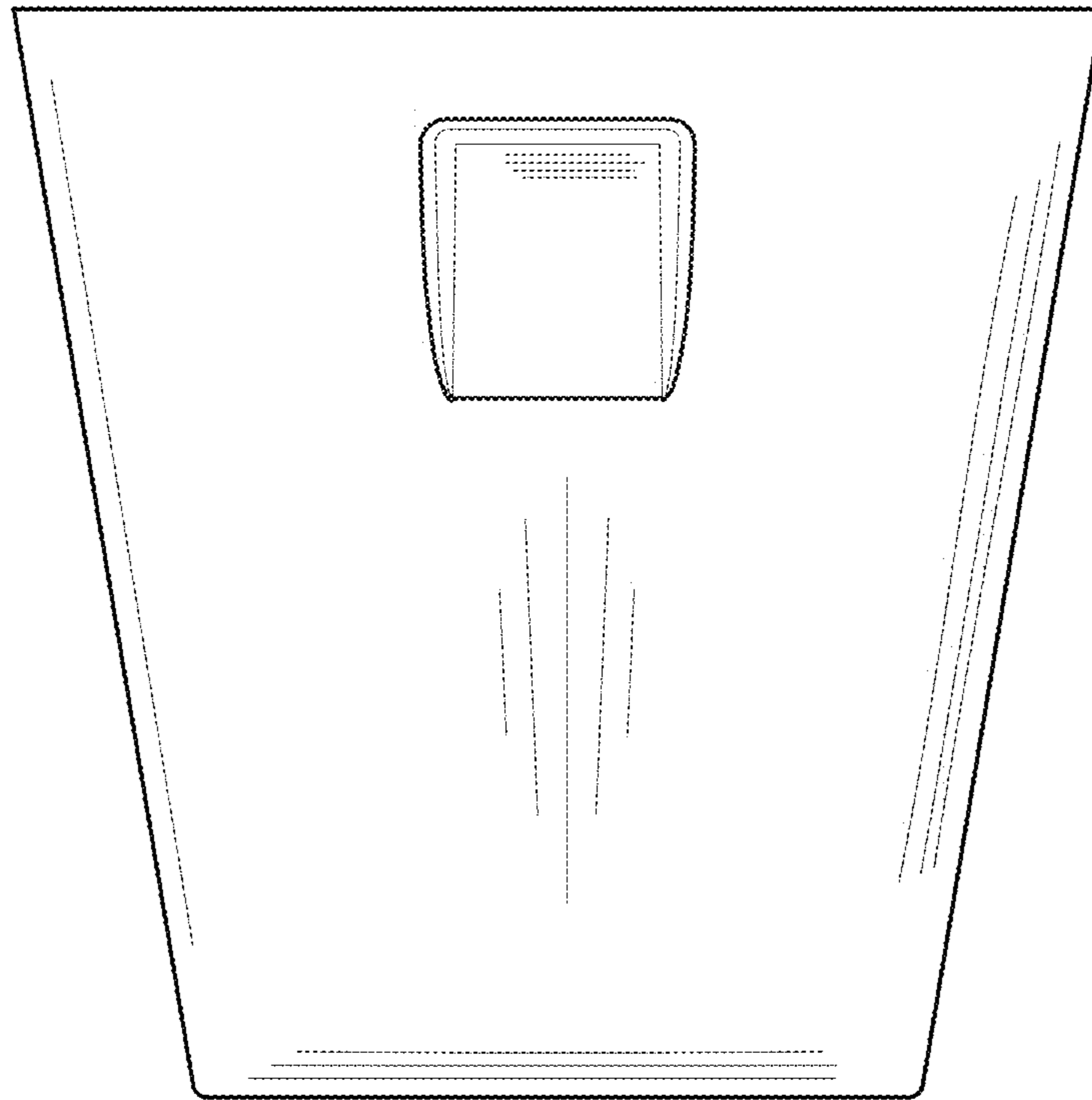


Figure 5

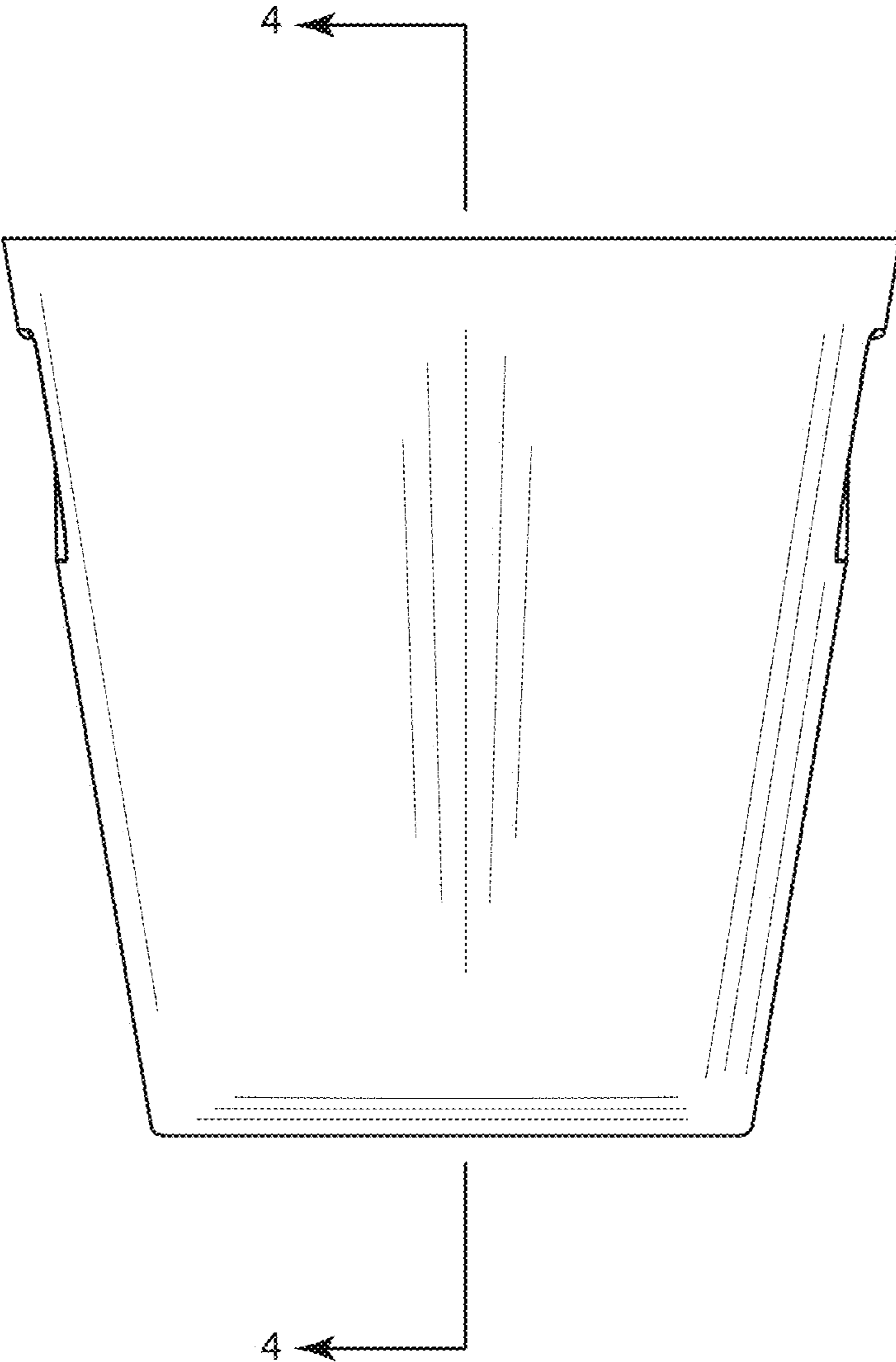


Figure 6

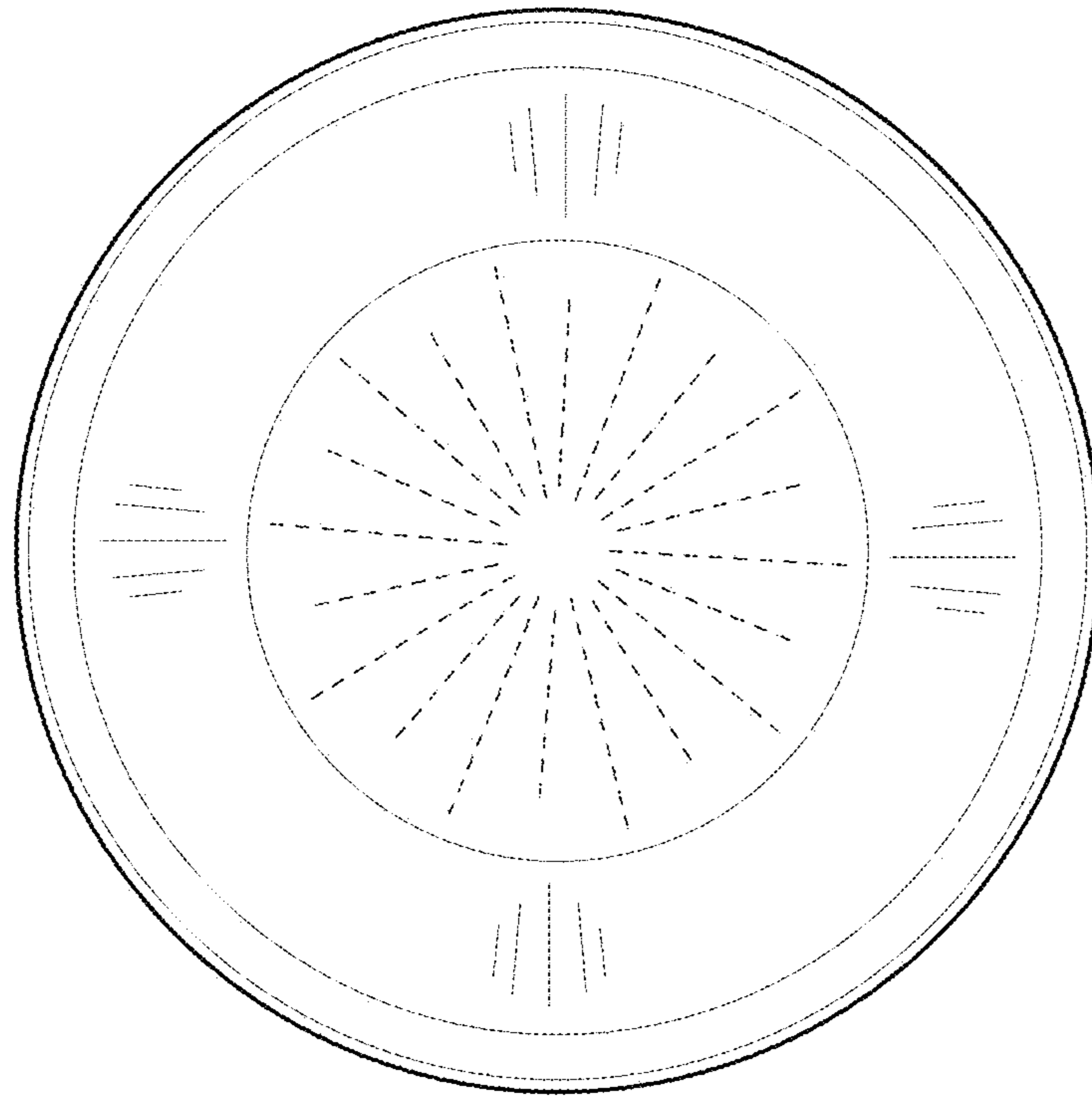


Figure 7

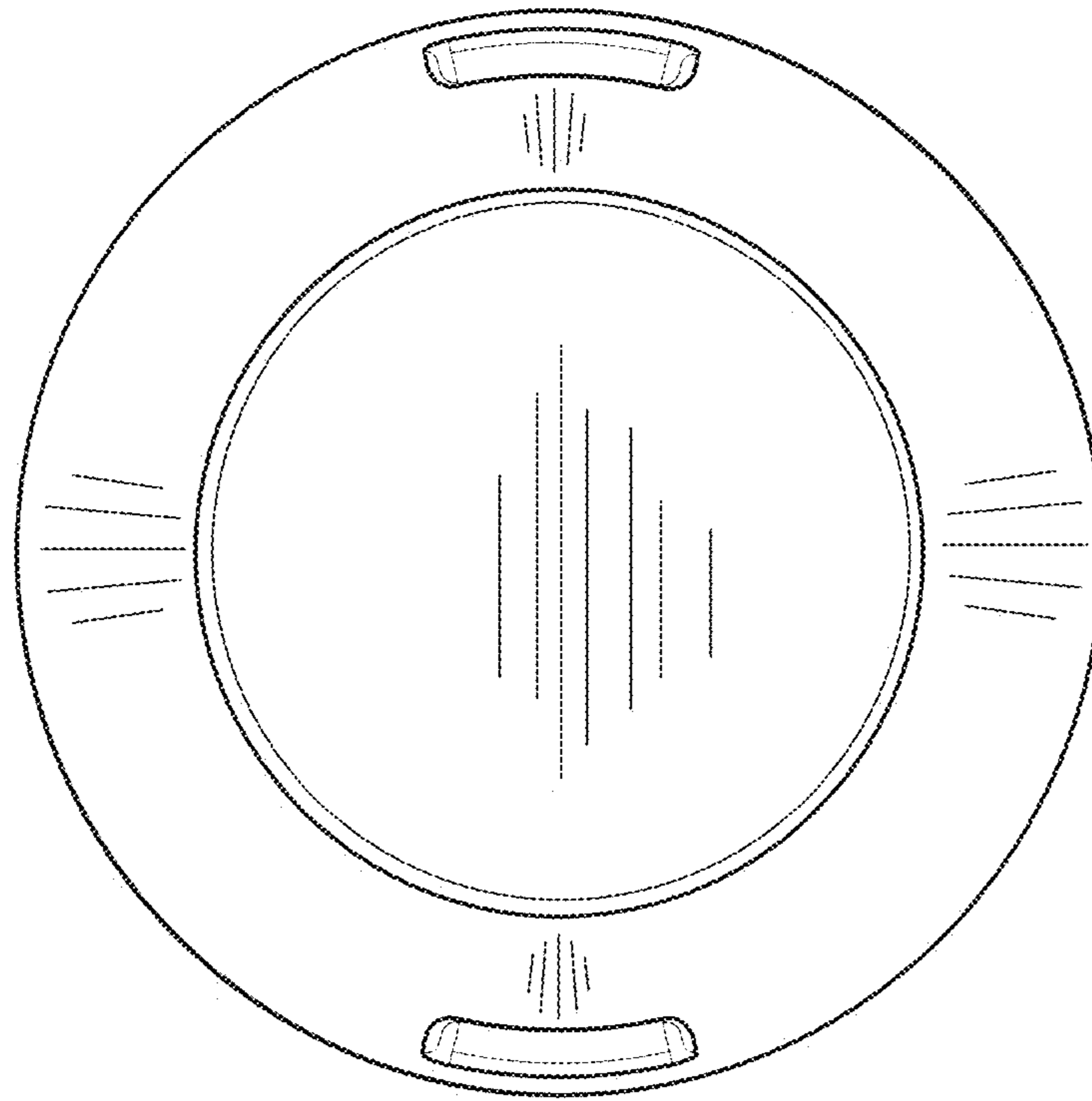


Figure 8

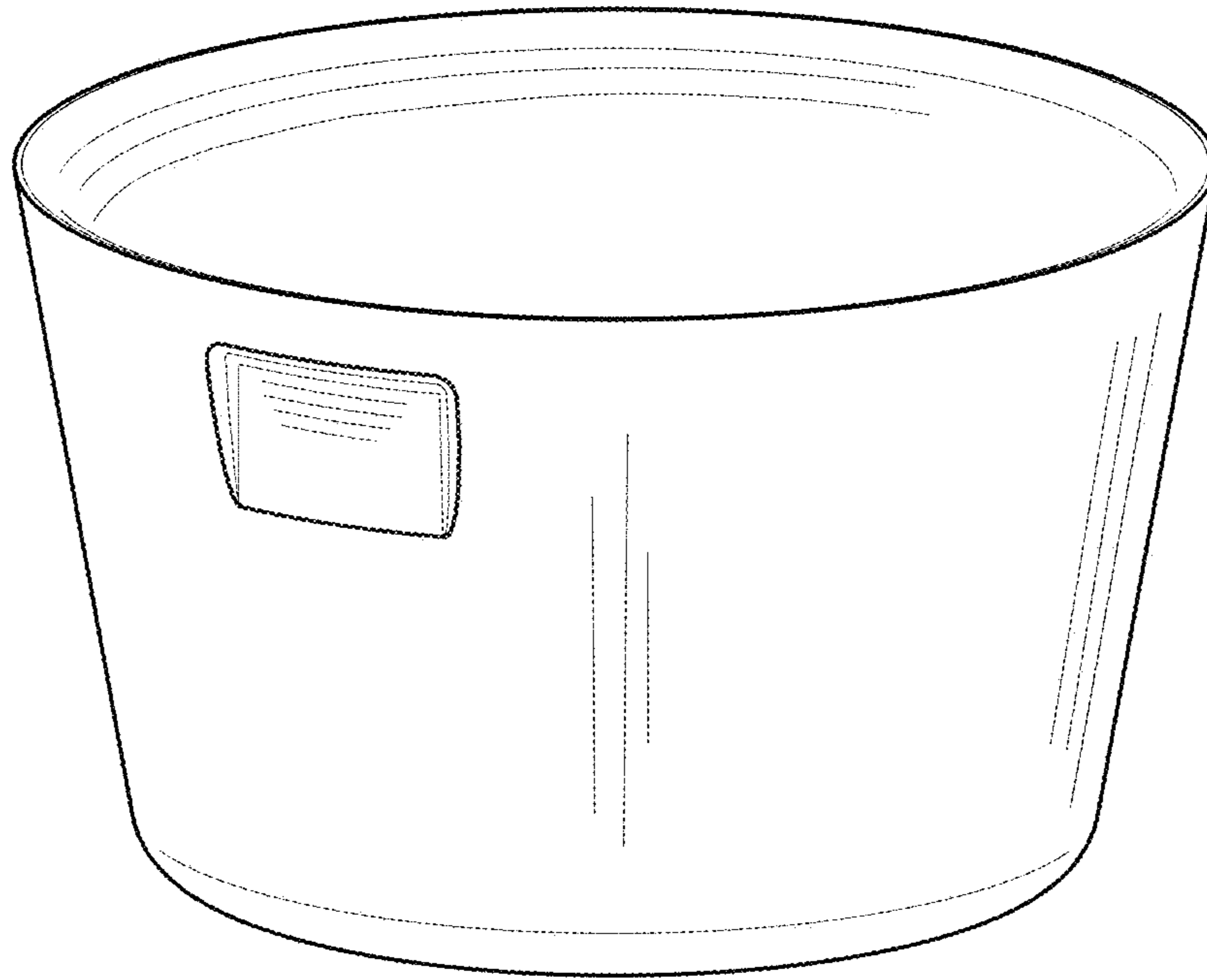


Figure 9

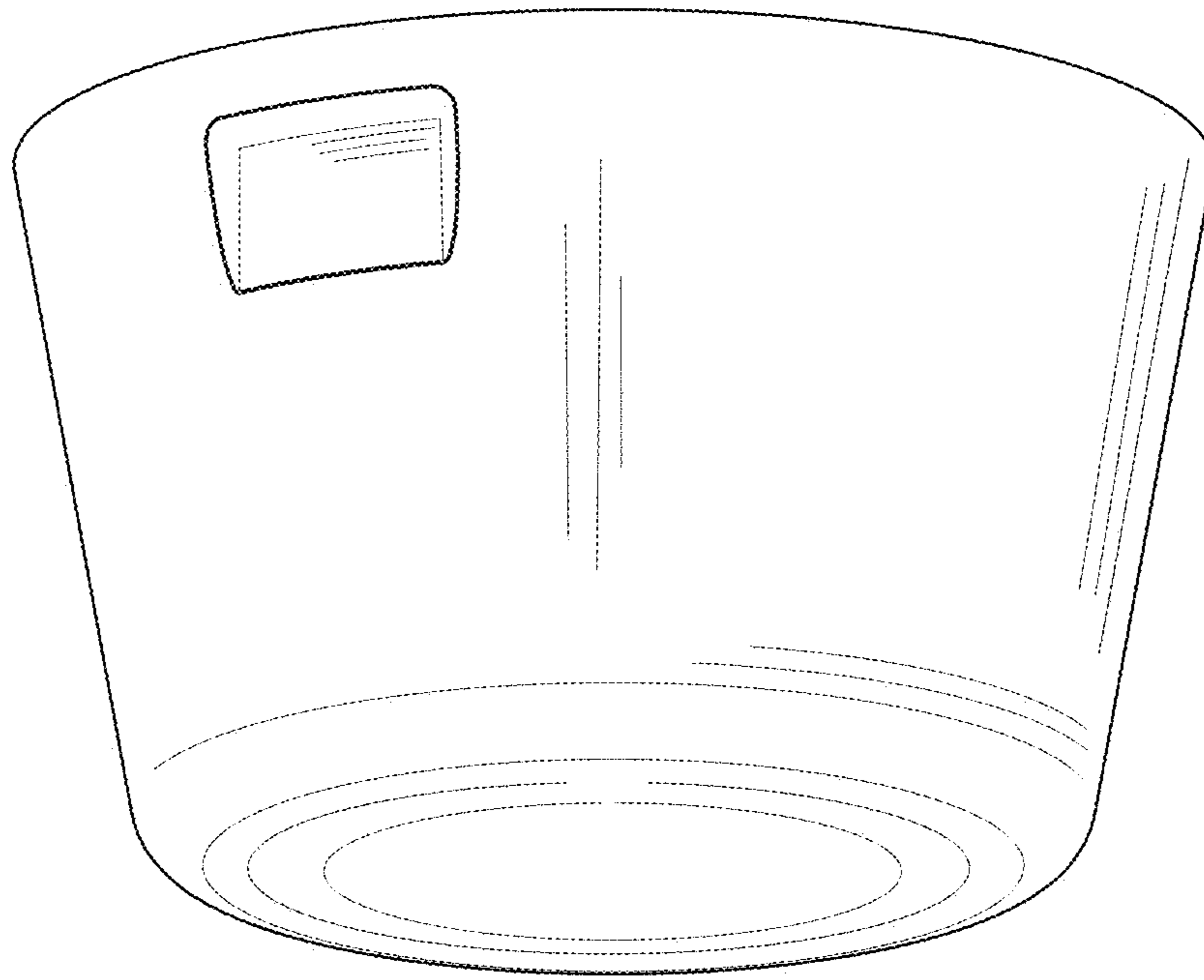


Figure 10

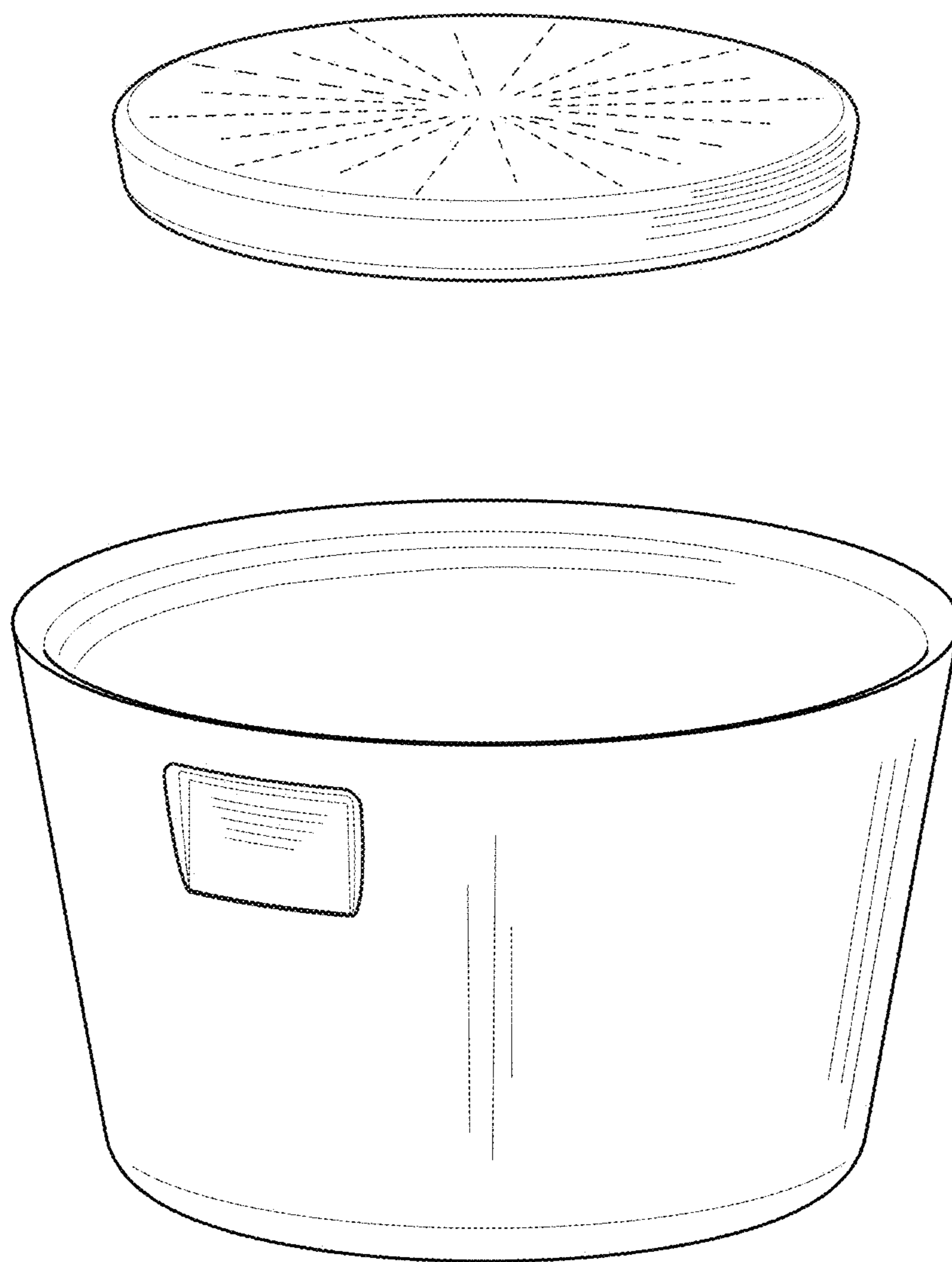


Figure 11

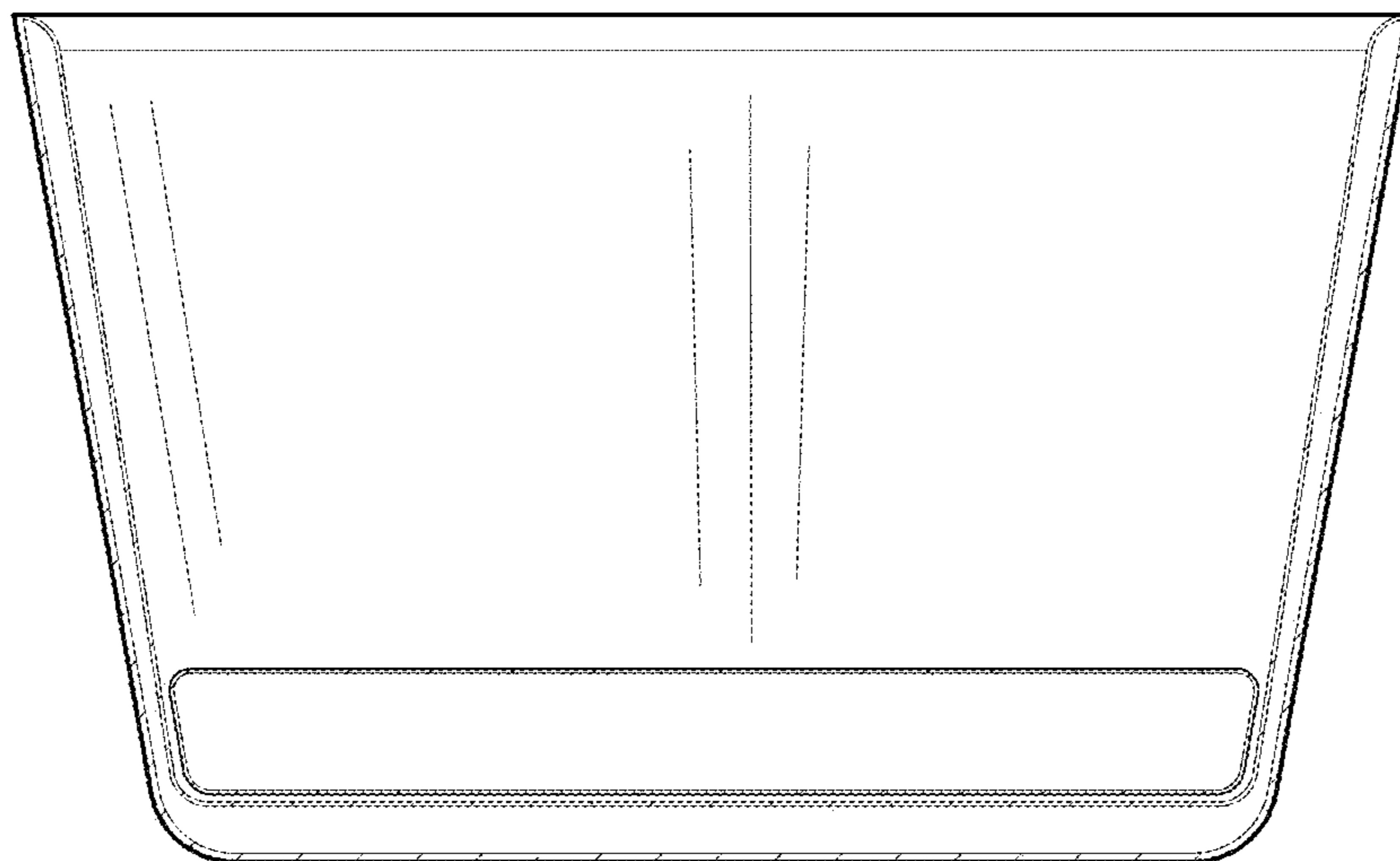


Figure 12

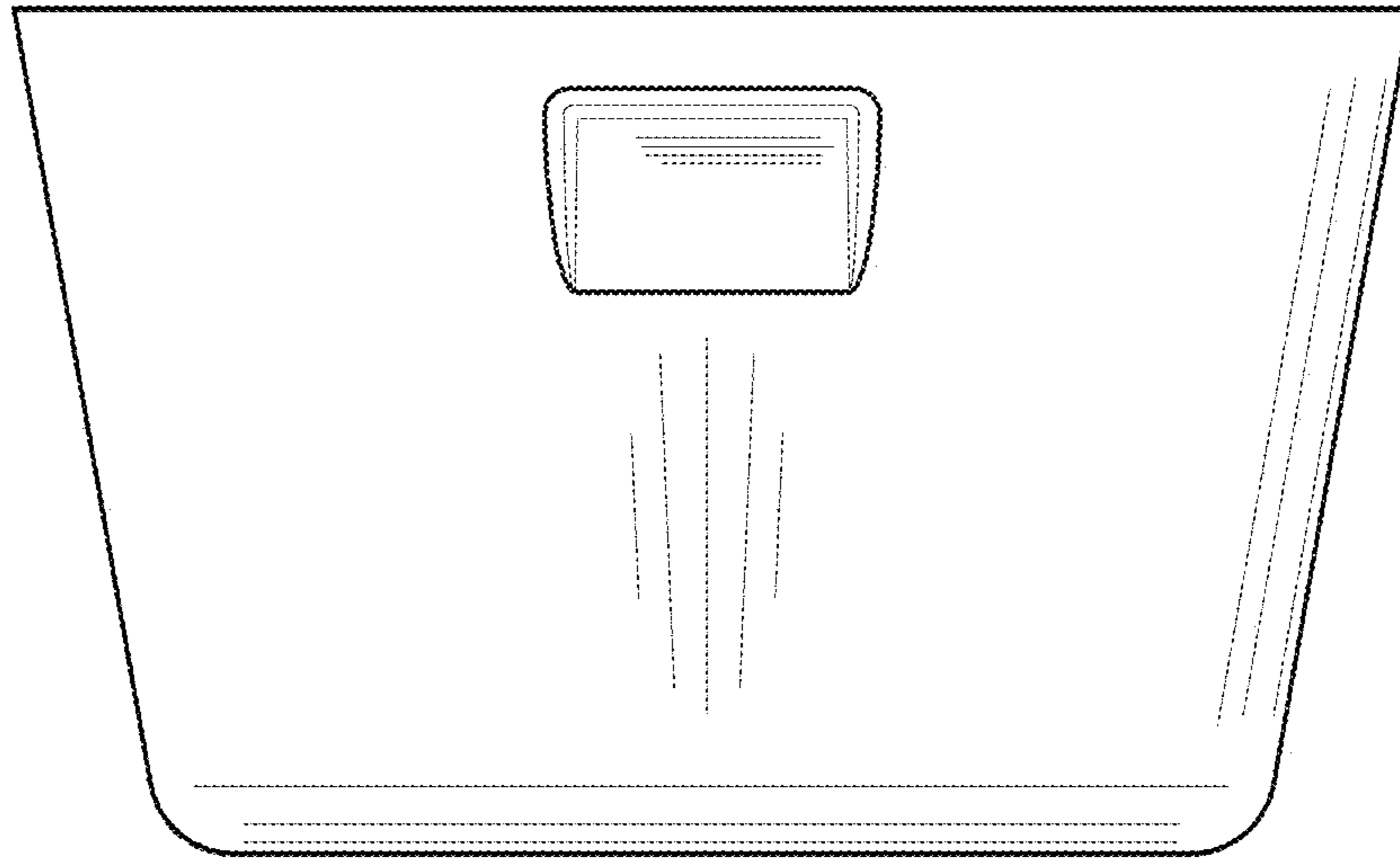


Figure 13

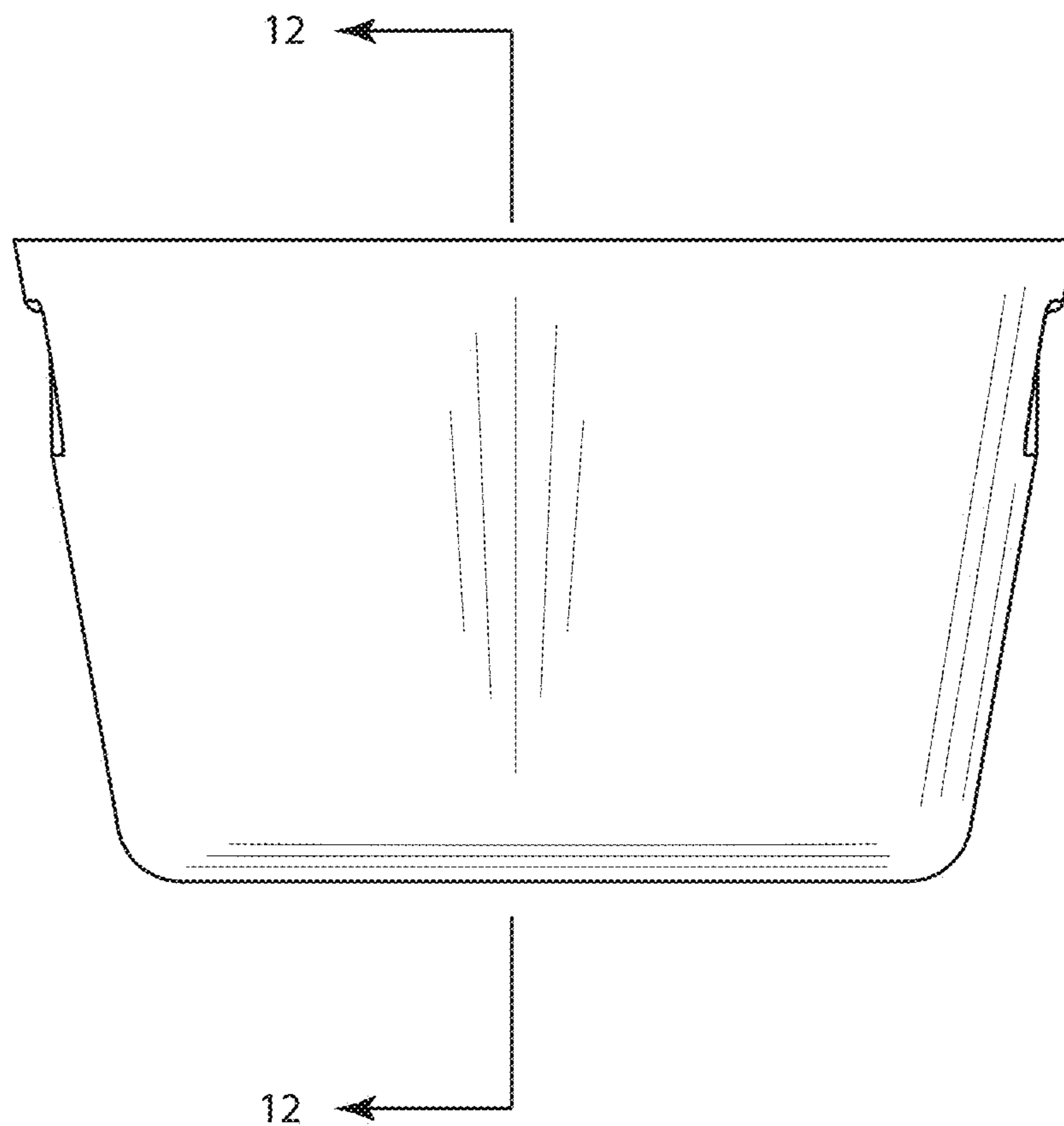


Figure 14

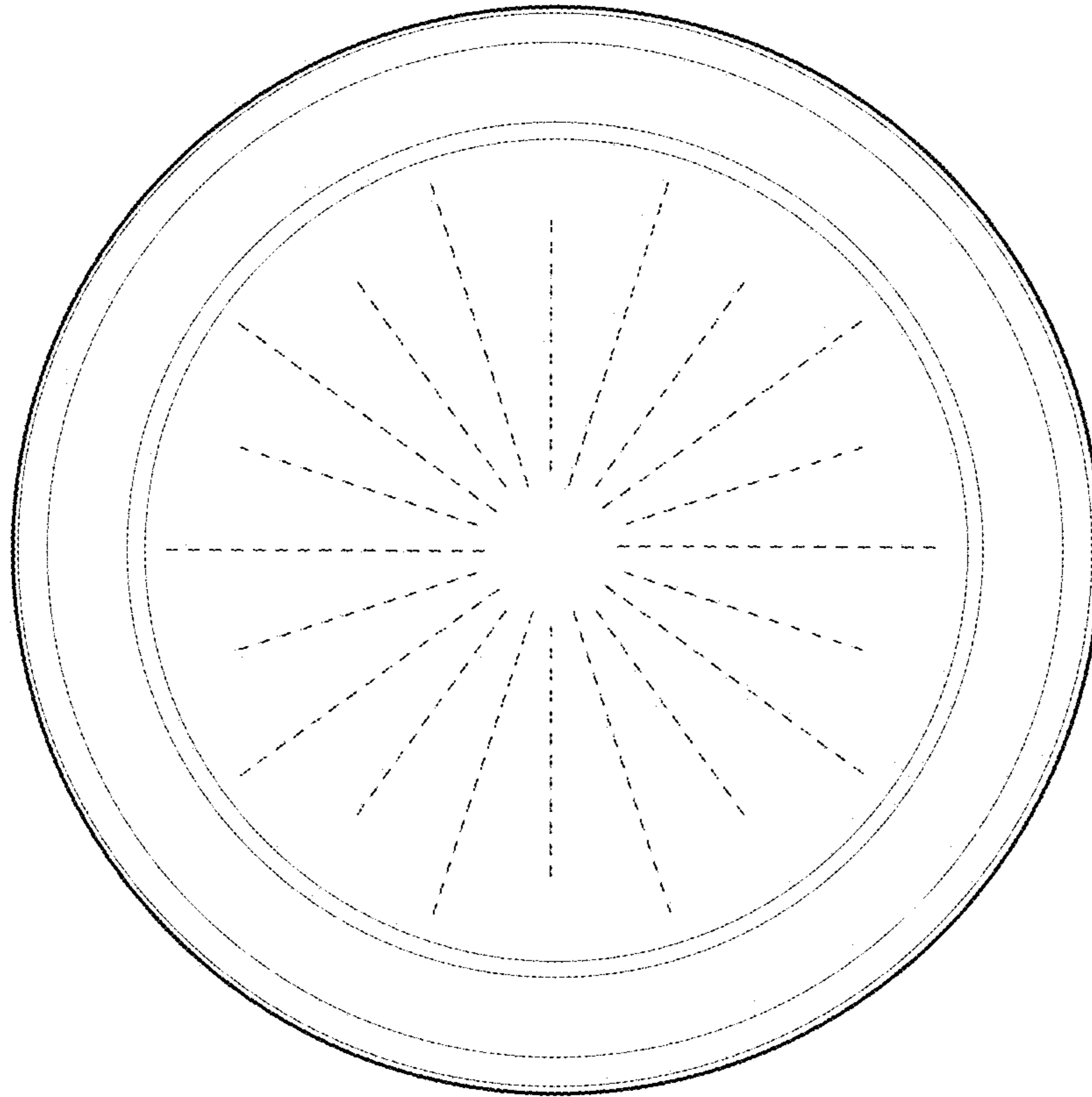


Figure 15

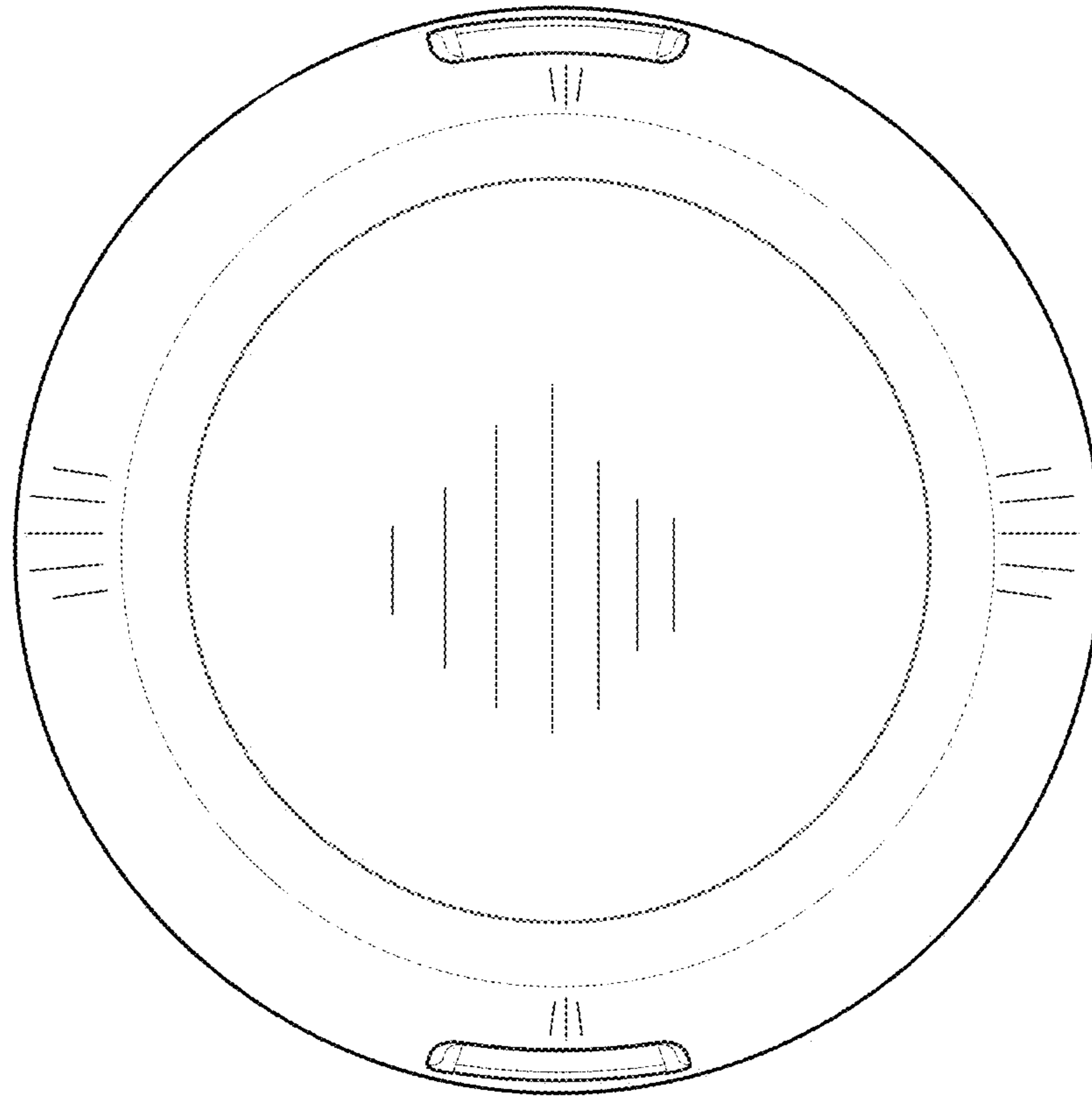


Figure 16

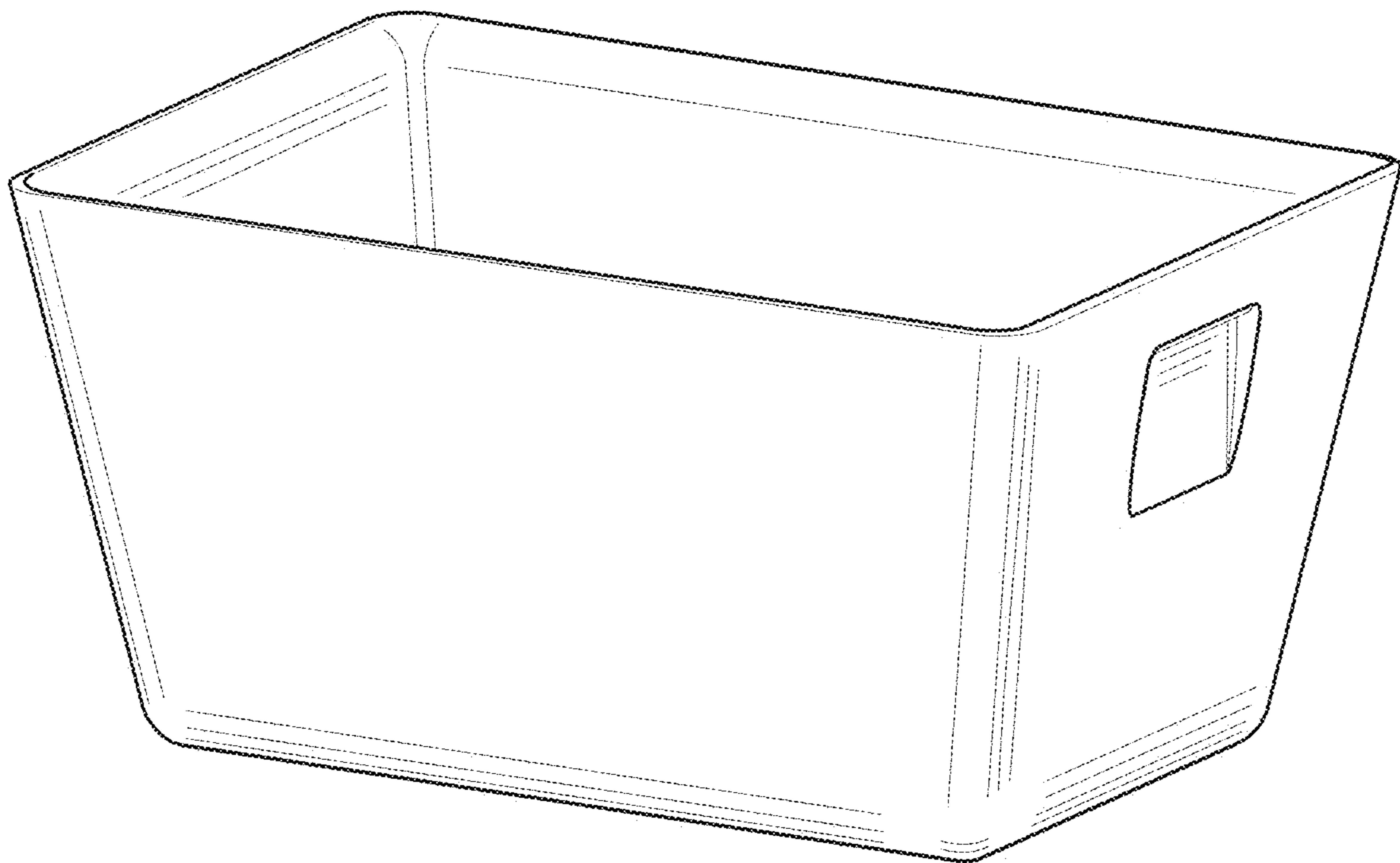


Figure 17

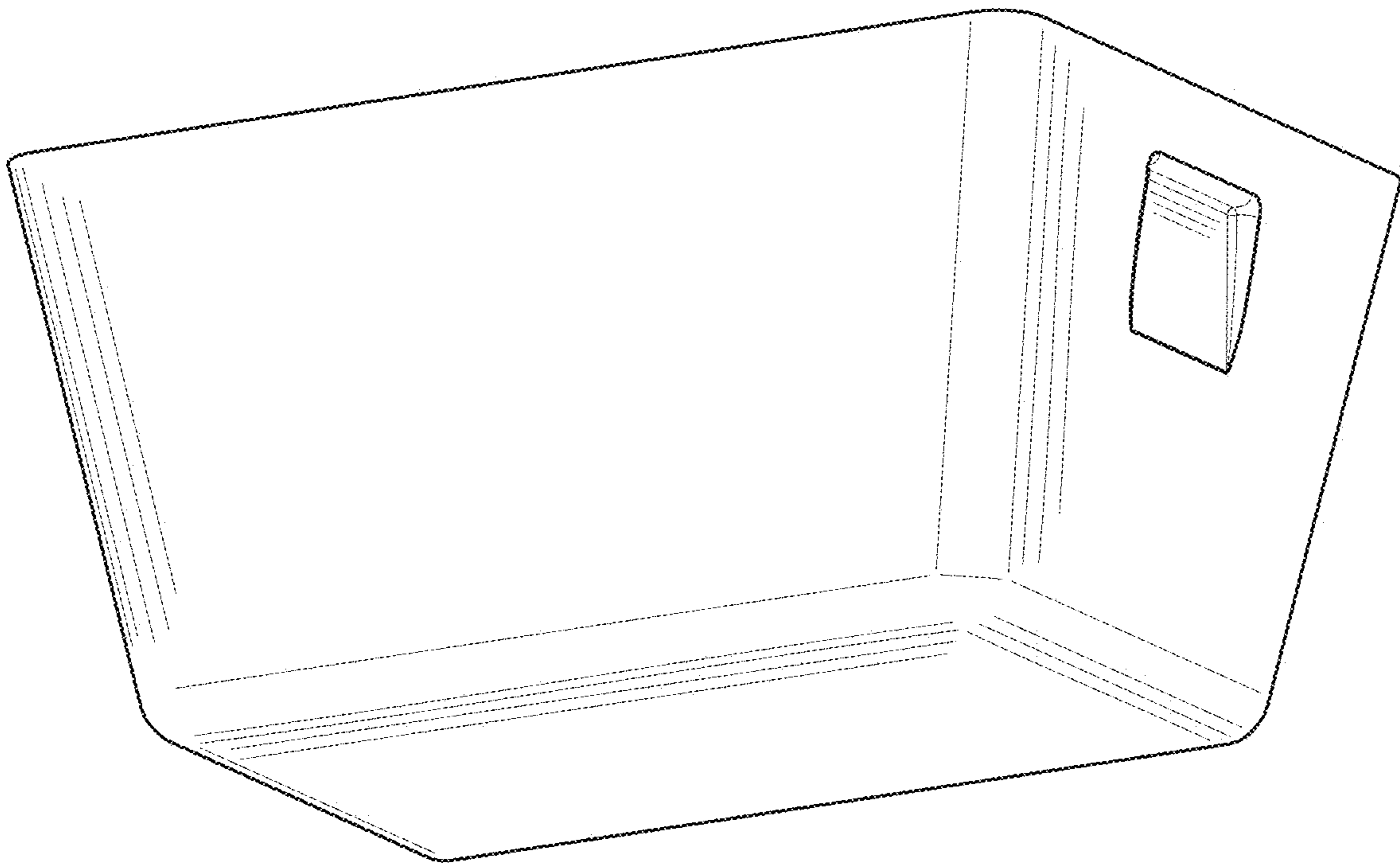


Figure 18

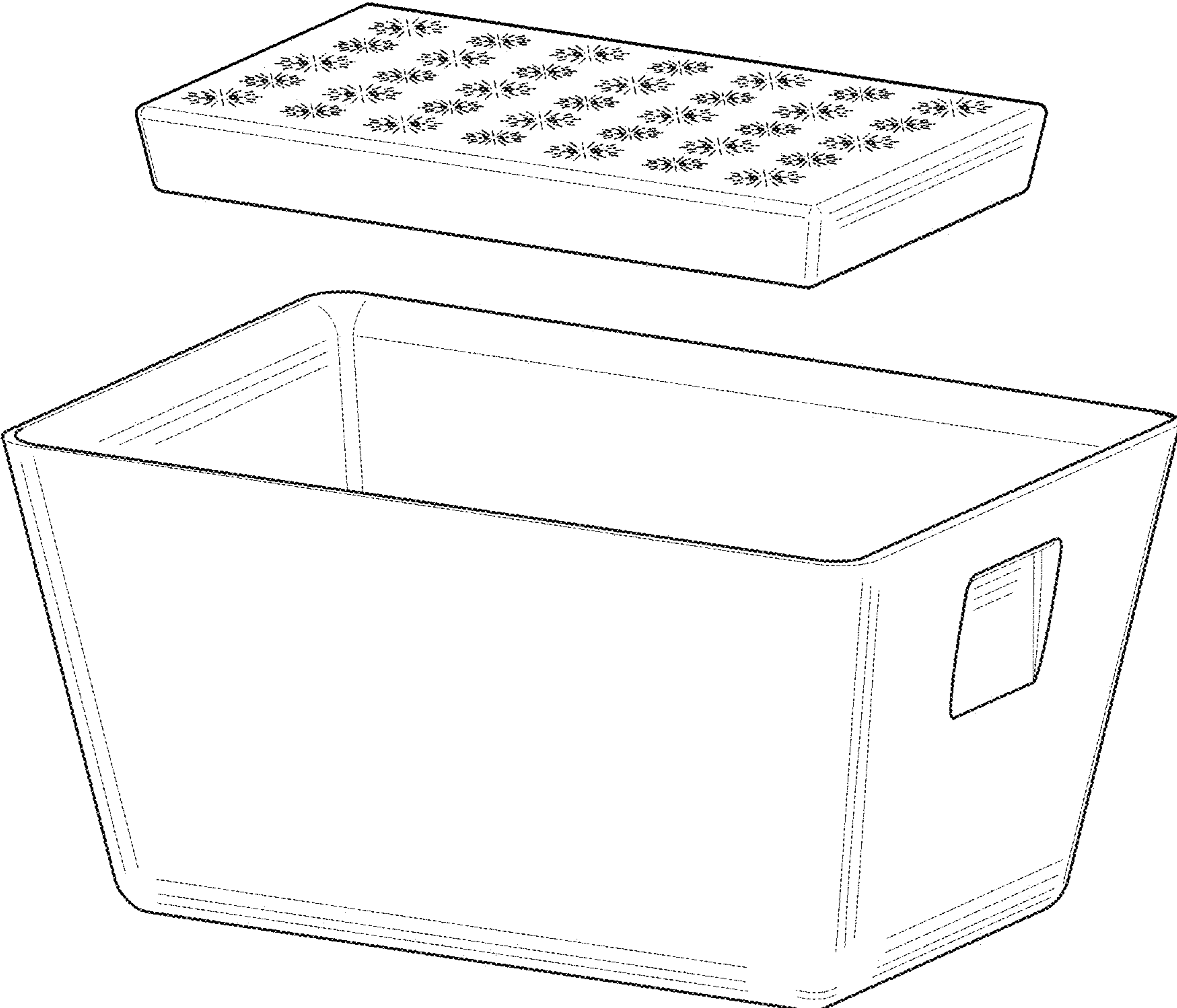


Figure 19

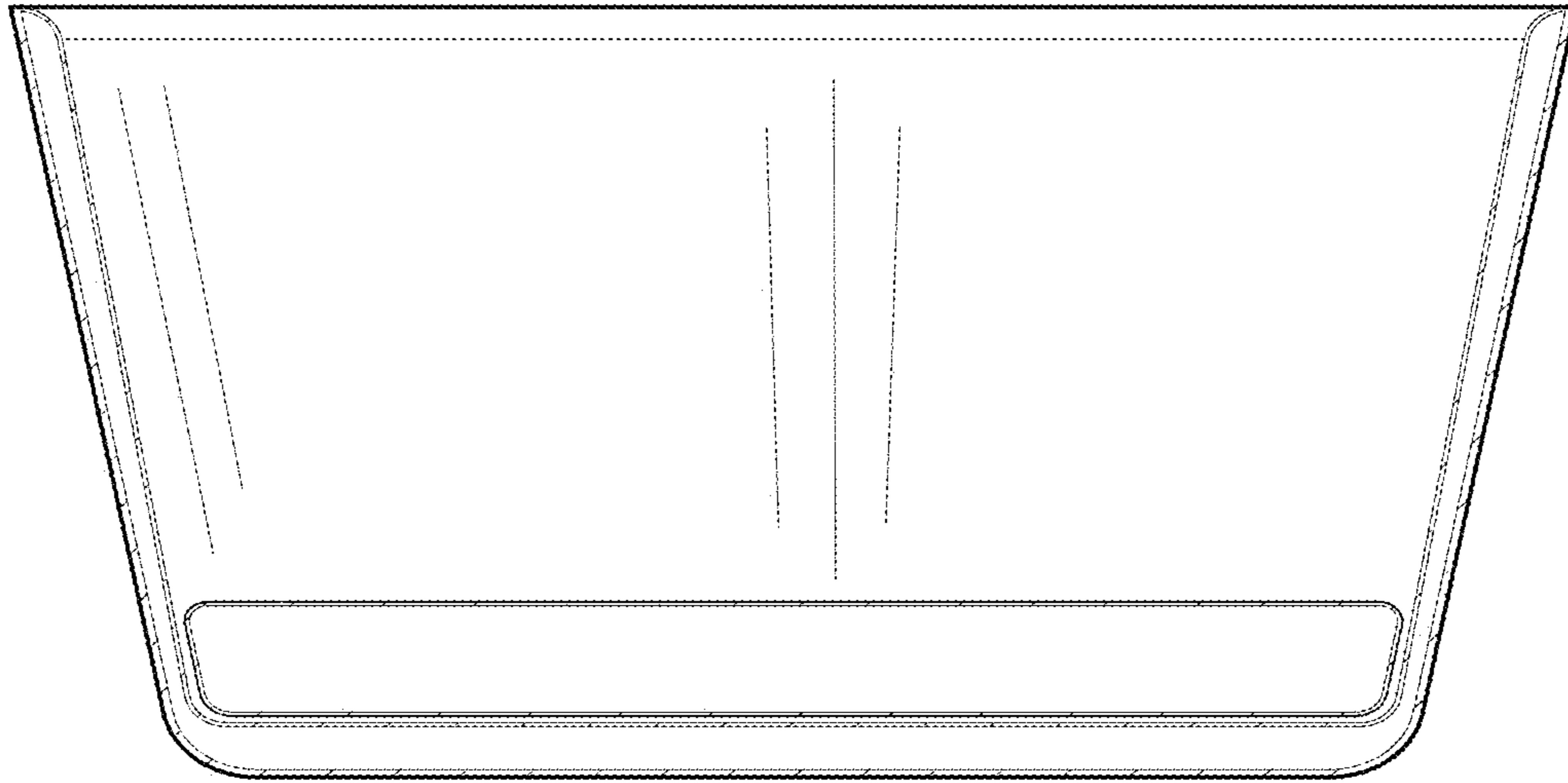


Figure 20

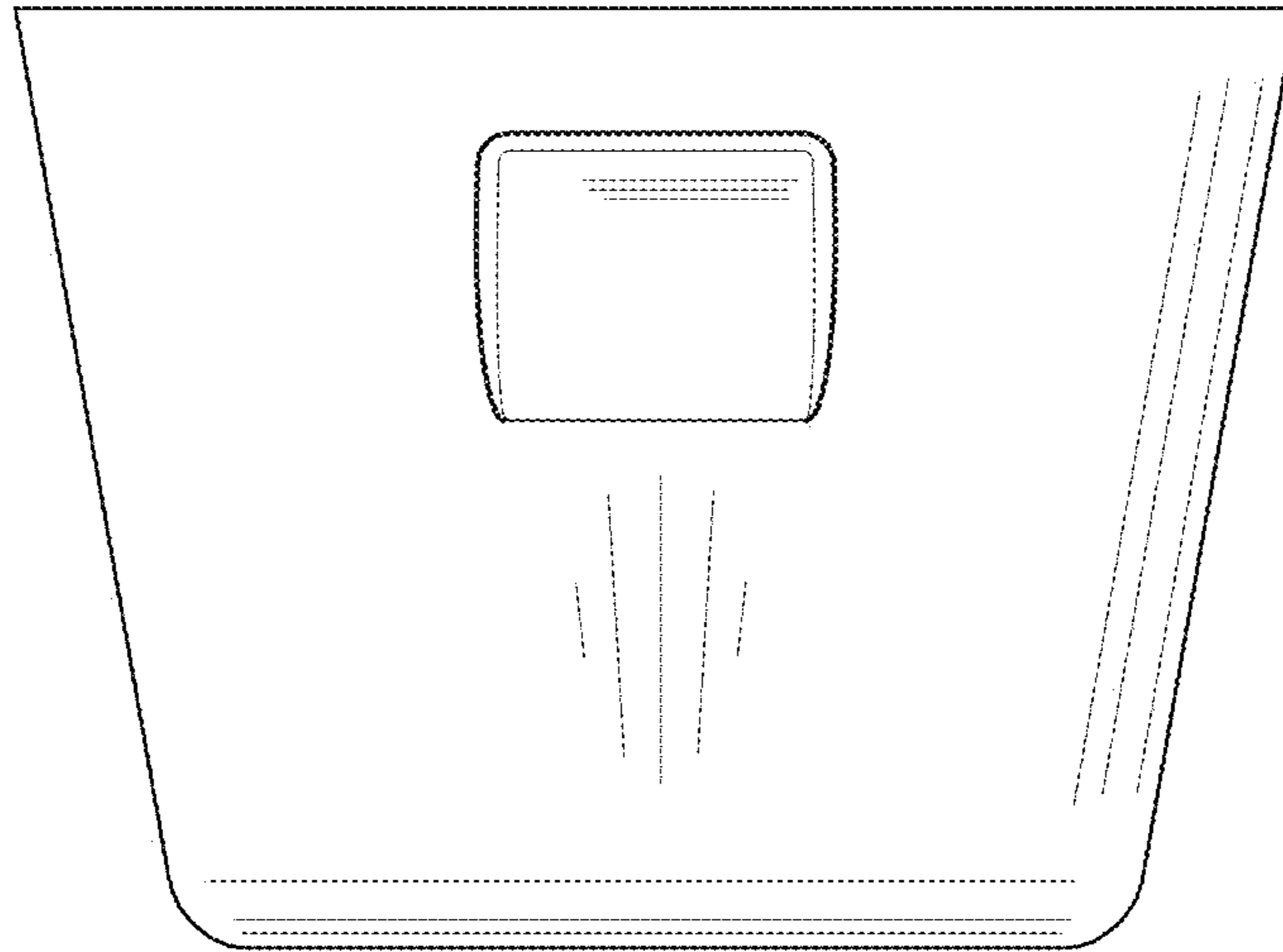


Figure 21

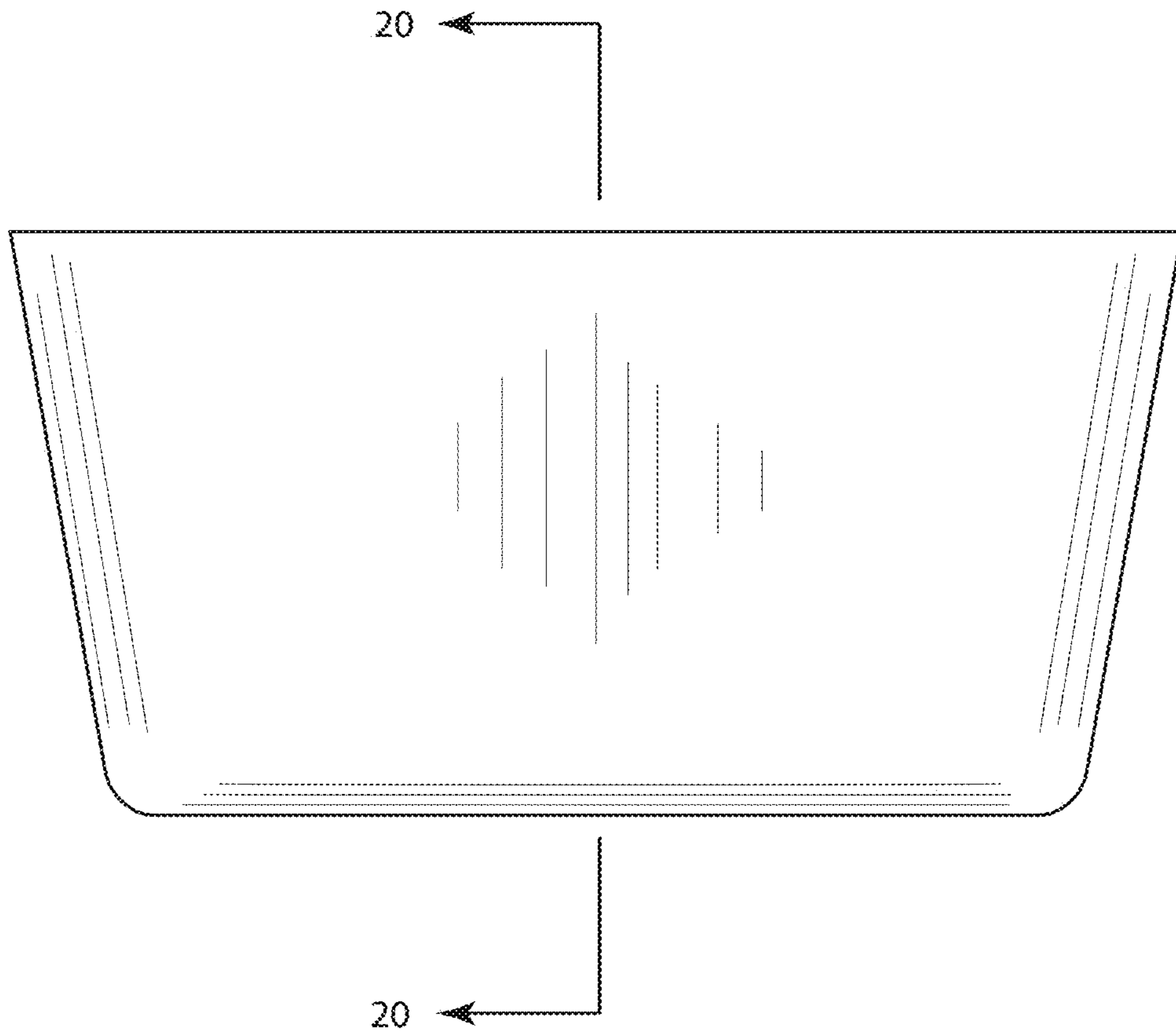


Figure 22

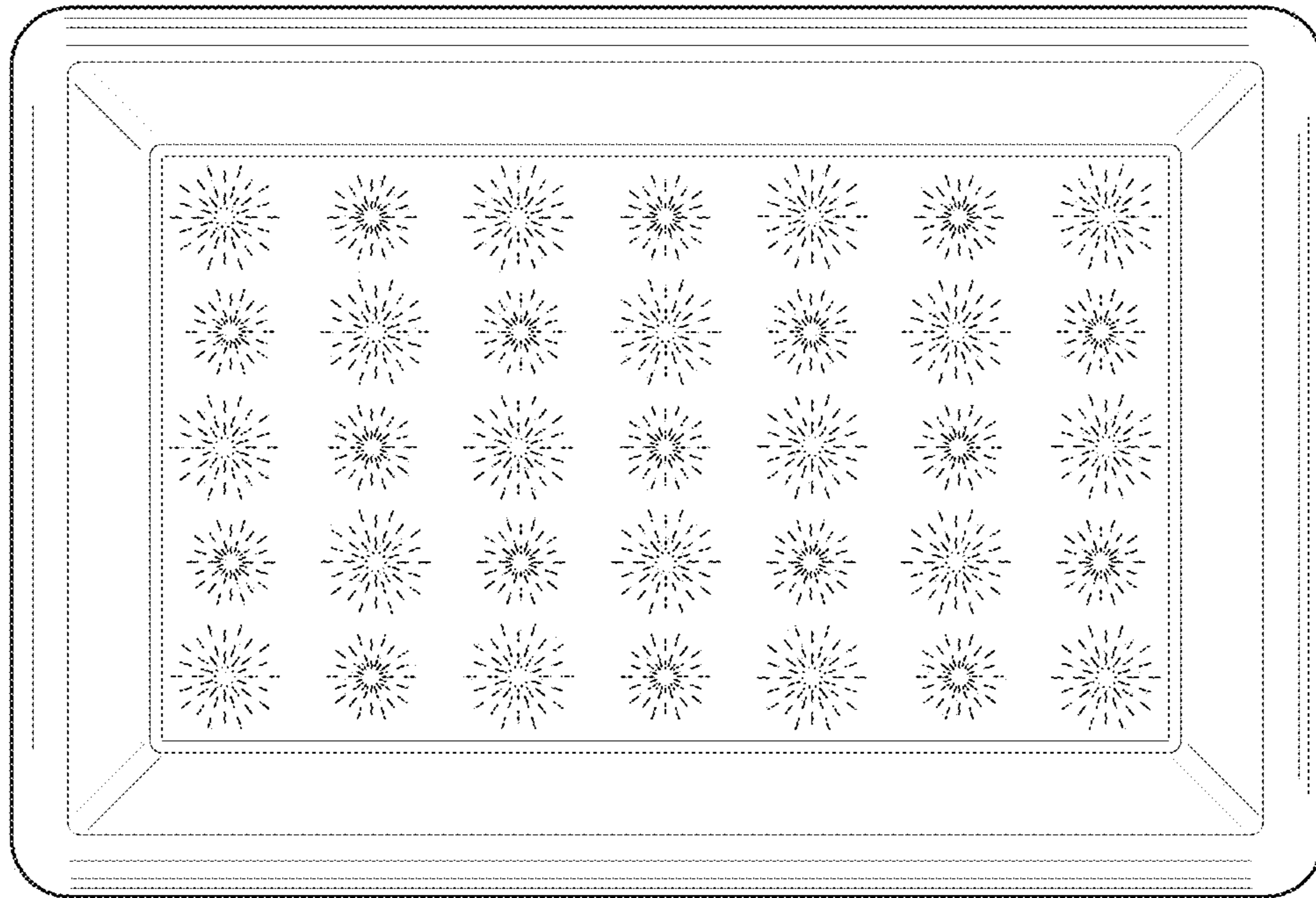


Figure 23

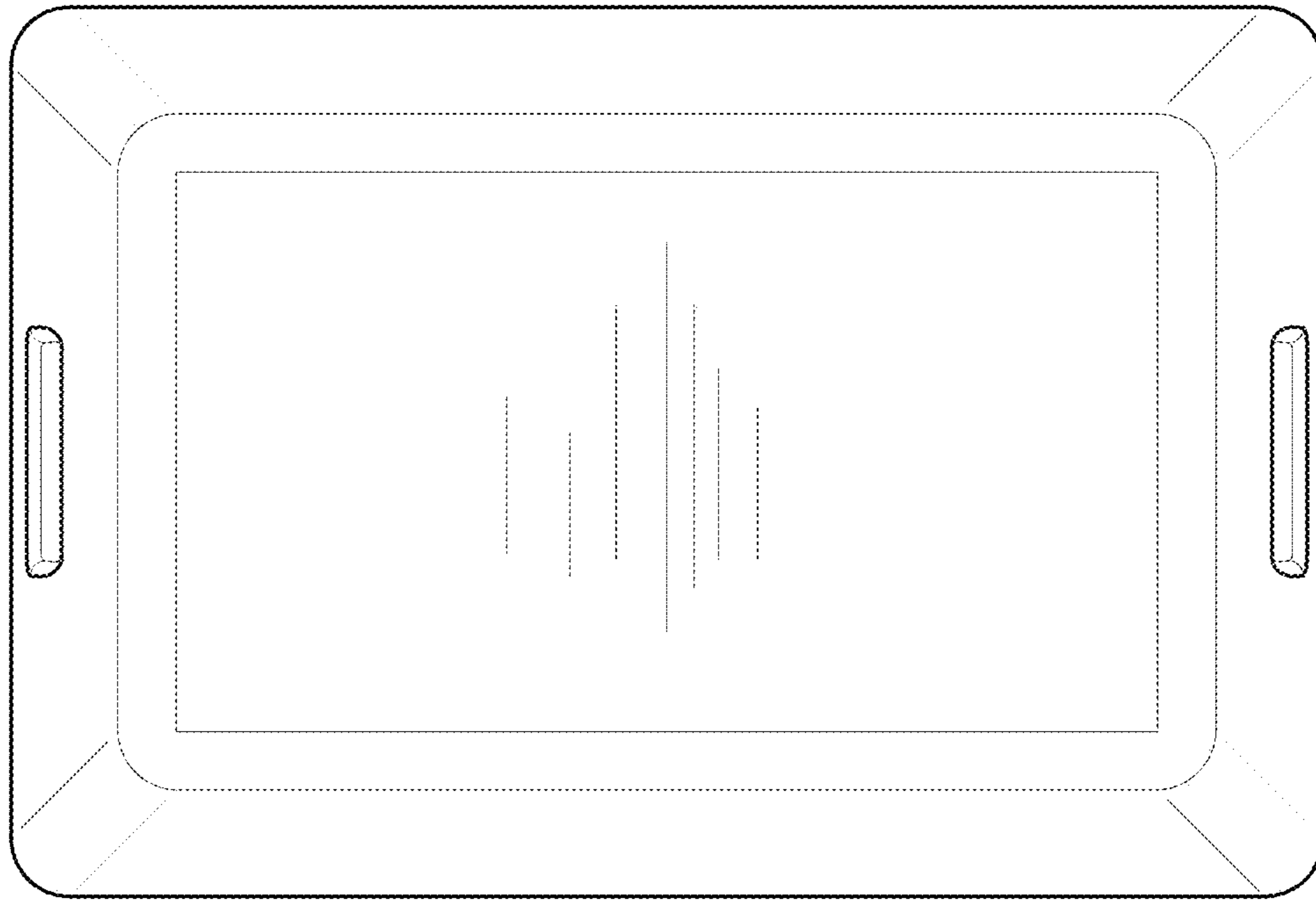


Figure 24