



US00D932840S

(12) **United States Design Patent** (10) **Patent No.:** **US D932,840 S**  
**Etgar et al.** (45) **Date of Patent:** **\*\* Oct. 12, 2021**

(54) **BEVERAGE CONTAINER**  
(71) Applicant: **Coors Brewing Company**, Denver, CO (US)  
(72) Inventors: **Inbal Etgar**, Berkeley, CA (US); **Anderson Miller**, San Francisco, CA (US); **Ryan Wickre**, San Francisco, CA (US); **Hailey Stewart**, Wilmington, MA (US); **Jonathan Grossman**, San Francisco, CA (US)  
(73) Assignee: **Coors Brewing Company**, Milwaukee, WI (US)

5,697,707 A \* 12/1997 Esposito ..... B65D 31/12  
206/217  
D452,154 S \* 12/2001 Rhodes ..... D7/605  
D535,521 S \* 1/2007 Burns ..... D7/301  
D563,234 S 3/2008 Moreno  
D590,656 S \* 4/2009 Patti ..... D7/392  
D617,635 S \* 6/2010 Gould ..... D9/431  
D619,891 S \* 7/2010 Lymn ..... D9/432  
D621,704 S \* 8/2010 Lymn ..... D9/432  
D668,951 S 10/2012 Voelker  
D677,101 S 3/2013 Mullins  
D684,042 S 6/2013 Betzig et al.  
D690,195 S 9/2013 Kalberer et al.  
D711,237 S 8/2014 Fleischhacker  
D725,465 S 3/2015 Voelker  
D772,054 S 11/2016 Wolf

(Continued)

(\*\*) Term: **15 Years**

(21) Appl. No.: **29/688,088**

(22) Filed: **Apr. 18, 2019**

(51) **LOC (13) Cl.** ..... **07-07**

(52) **U.S. Cl.**  
USPC ..... **D7/602; D9/418**

(58) **Field of Classification Search**  
USPC ..... D7/602, 601, 584, 554.3, 619.1, 392;  
D9/425, 414, 444, 430  
CPC .. B65D 21/0233; B65D 53/06; B65D 5/0209;  
B65D 5/4608; B65D 31/12; B65D  
5/2076; B65D 5/746; B65D 5/008; B65D  
5/46112; B65D 77/065  
See application file for complete search history.

(56) **References Cited**

**U.S. PATENT DOCUMENTS**

D170,639 S 10/1953 Hoffman, Jr.  
D210,681 S 4/1968 Gould  
D250,573 S 12/1978 Evangelista et al.  
4,572,422 A 2/1986 Heuberger et al.  
4,815,631 A 3/1989 Eeg et al.  
D301,927 S 6/1989 Williams  
1,370,175 A 5/1996 McCallum et al.

**OTHER PUBLICATIONS**

Notice of Allowance for U.S. Appl. No. 29/681,371, dated Jan. 1, 2021, 8 pages.  
U.S. Appl. No. 29/681,371, filed Feb. 25, 2019, Etgar et al.

*Primary Examiner* — Cynthia R Underwood  
(74) *Attorney, Agent, or Firm* — Sheridan Ross P.C.

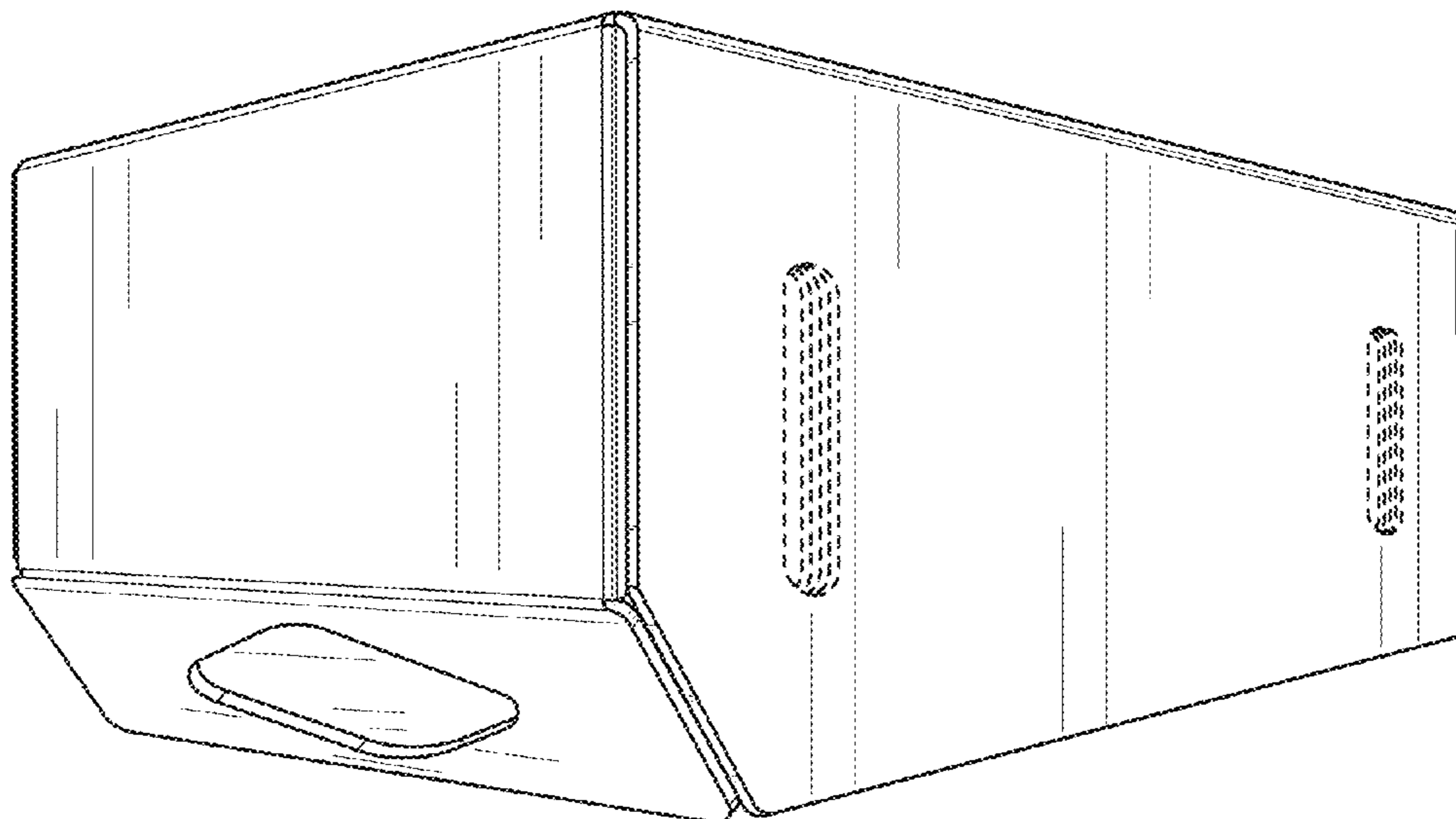
(57) **CLAIM**

The ornamental design for the beverage container, as shown and described.

**DESCRIPTION**

FIG. 1 is a perspective view of a beverage container;  
FIG. 2 is a front elevation view thereof;  
FIG. 3 is a rear elevation view thereof;  
FIG. 4 is a left elevation view thereof;  
FIG. 5 is a right elevation view thereof;  
FIG. 6 is a top plan view thereof; and,  
FIG. 7 is a bottom plan view thereof.  
The broken lines in the drawings illustrate portions of the beverage container which form no part of the claimed design.

**1 Claim, 7 Drawing Sheets**



(56)

**References Cited**

U.S. PATENT DOCUMENTS

1,777,572	A1	1/2017	Mast	
D785,448	S	5/2017	Wolf	
D796,243	S	9/2017	Roberts et al.	
9,751,656	B2	9/2017	Wolf	
D816,421	S	5/2018	O'Hara	
D848,530	S	5/2019	Wagner	
D885,925	S	6/2020	Lewis	
D887,832	S	6/2020	Boersma et al.	
D896,630	S	9/2020	Gomez et al.	
10,850,887	B2 *	12/2020	Dammers	..... B65D 5/029
10,968,007	B2 *	4/2021	Saito	..... B65D 77/065
10,988,297	B2 *	4/2021	Yamada	..... B65D 65/403
2005/0211754	A1	9/2005	Fulcher	
2006/0202005	A1	9/2006	Andrews et al.	
2007/0228123	A1 *	10/2007	McKenna	..... B65D 5/2076 229/117.13
2011/0253774	A1	10/2011	Hill et al.	
2014/0374447	A1	12/2014	Coogan et al.	
2015/0151888	A1 *	6/2015	Fitzwater	..... B65D 5/5028 206/427
2016/0146519	A1 *	5/2016	Ito	..... F25B 39/04 62/498

\* cited by examiner

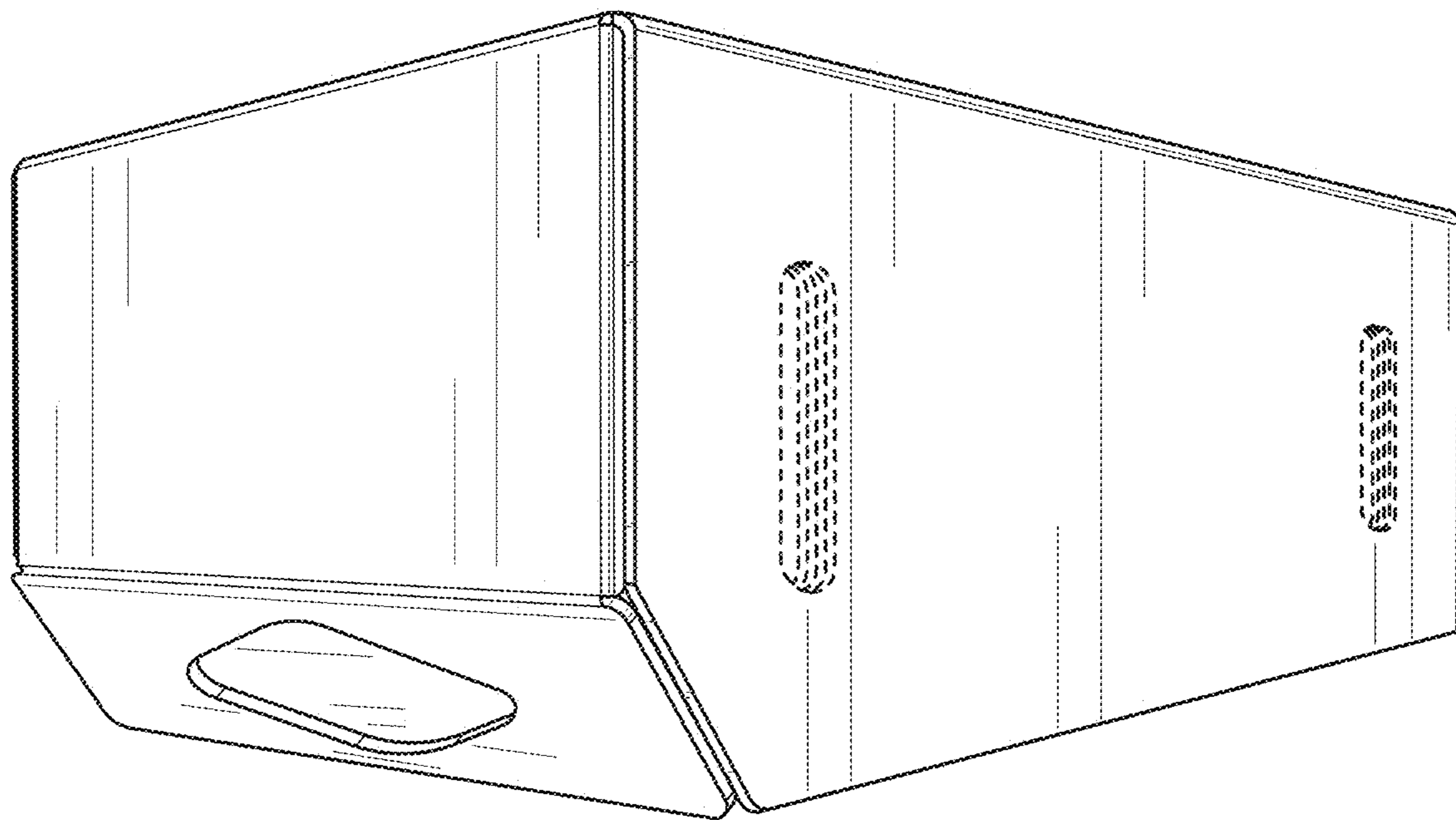


FIG. 1

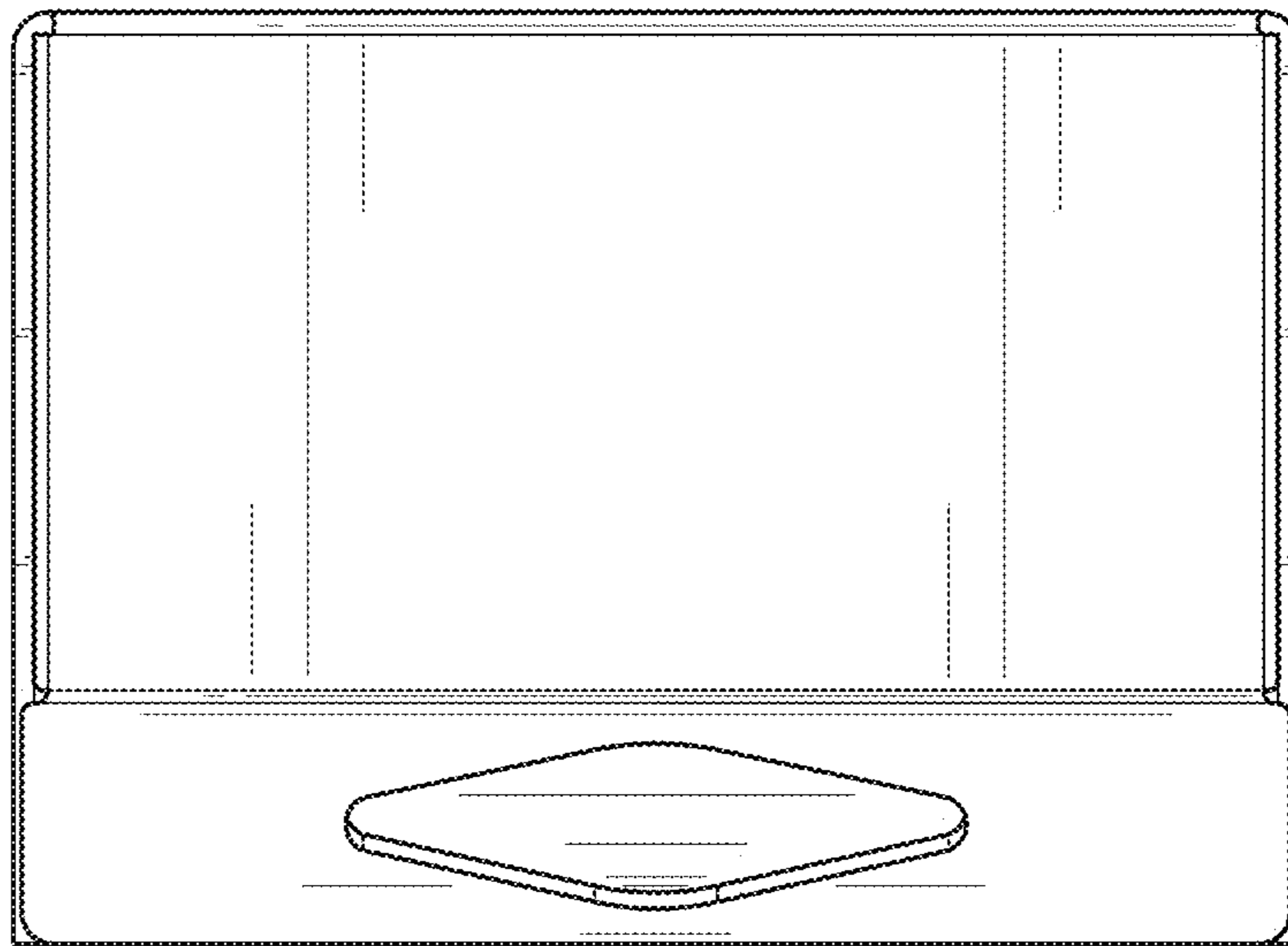


FIG. 2

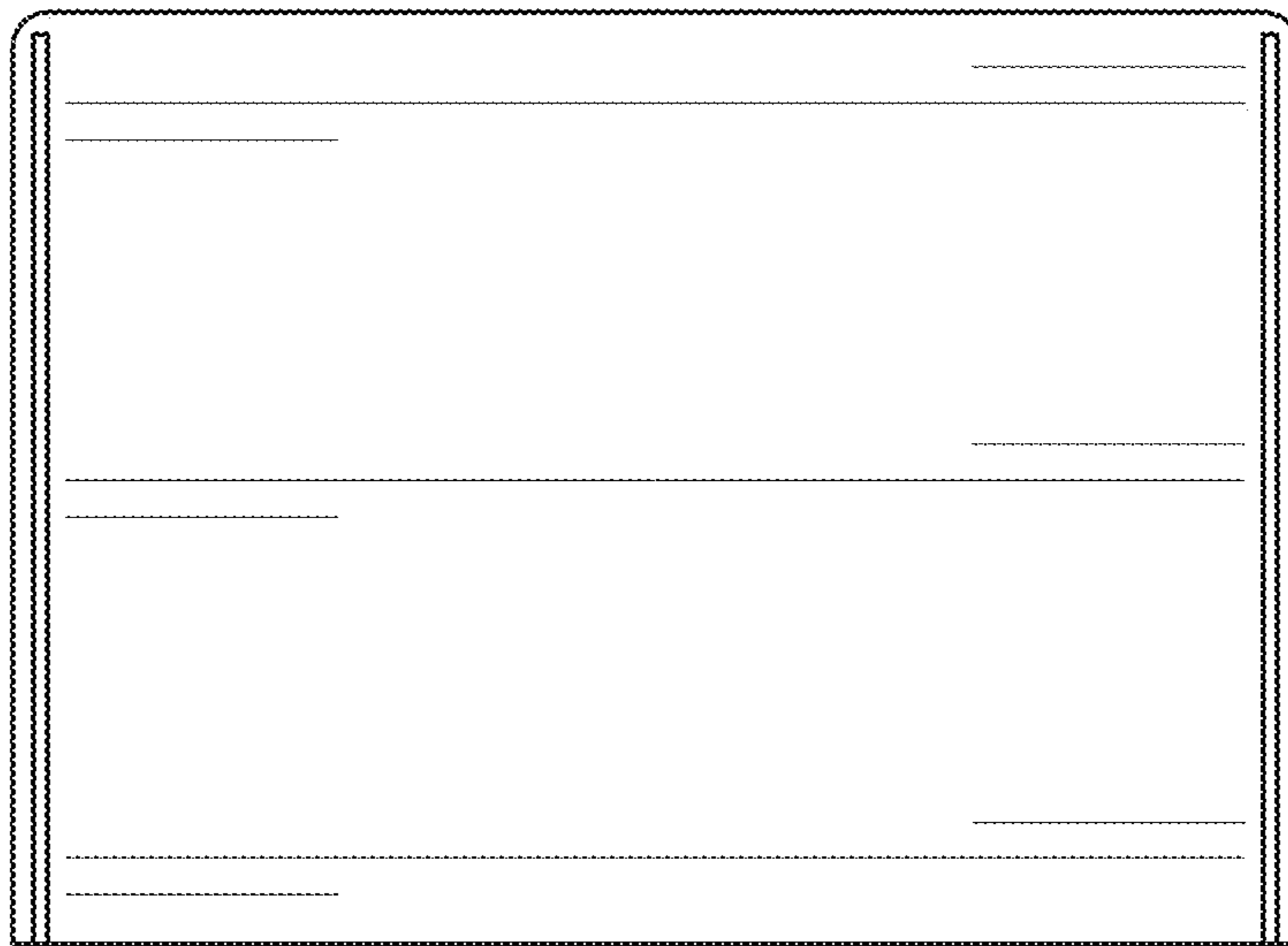


FIG. 3

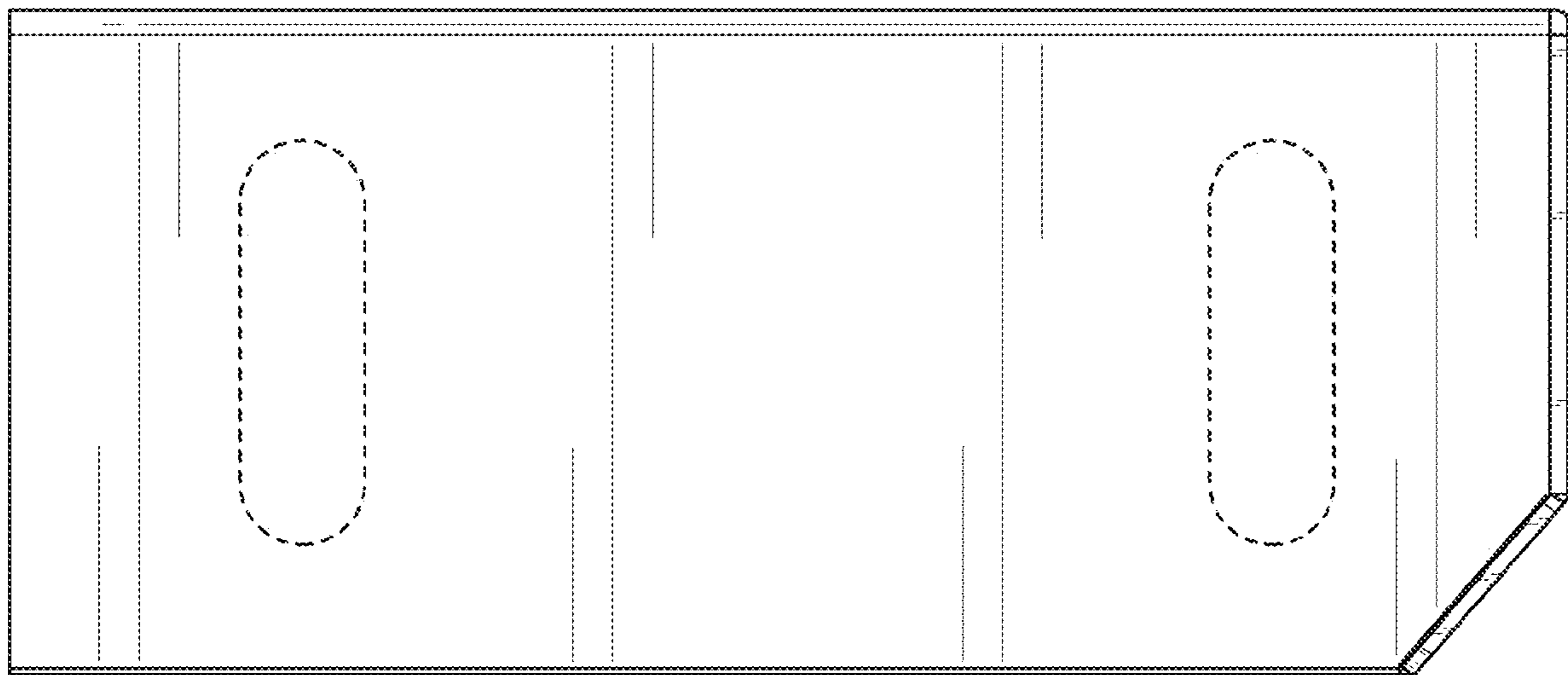


FIG. 4

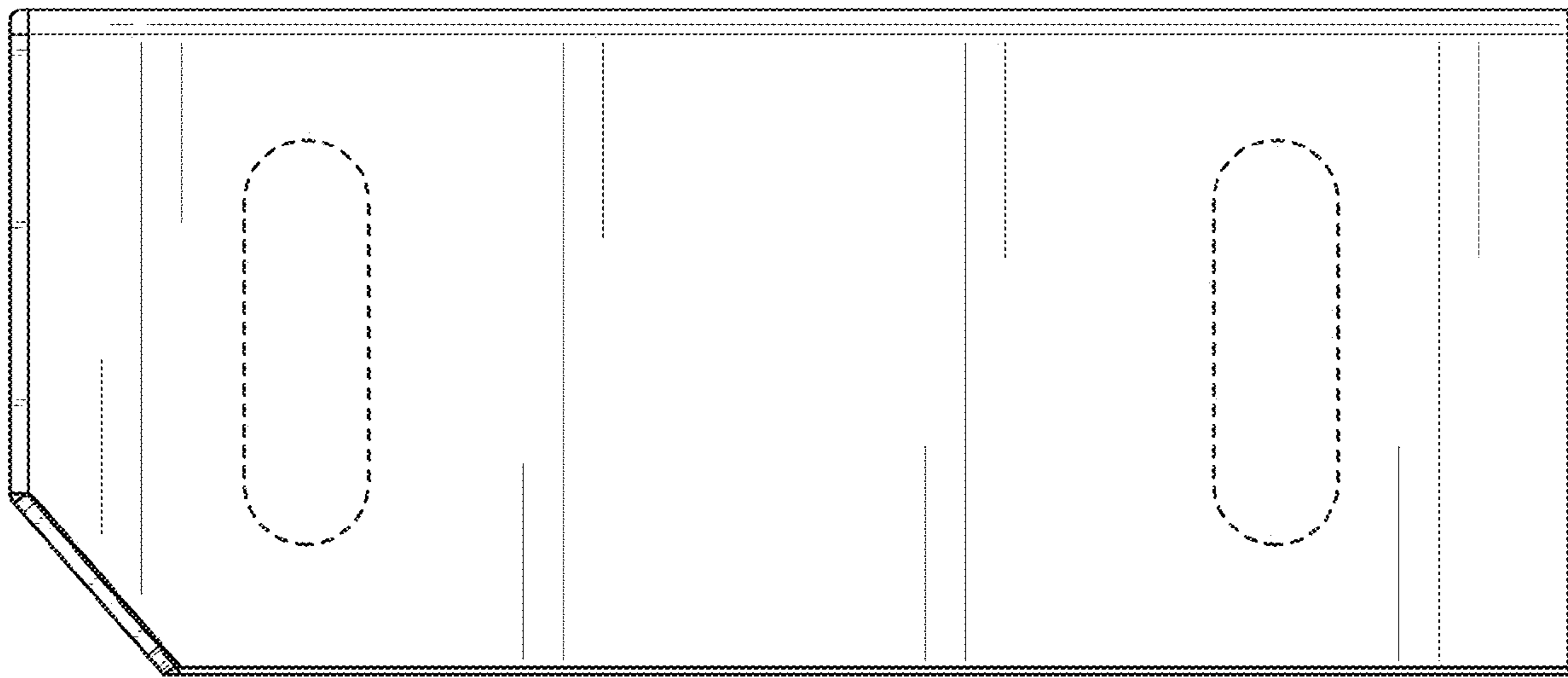


FIG. 5

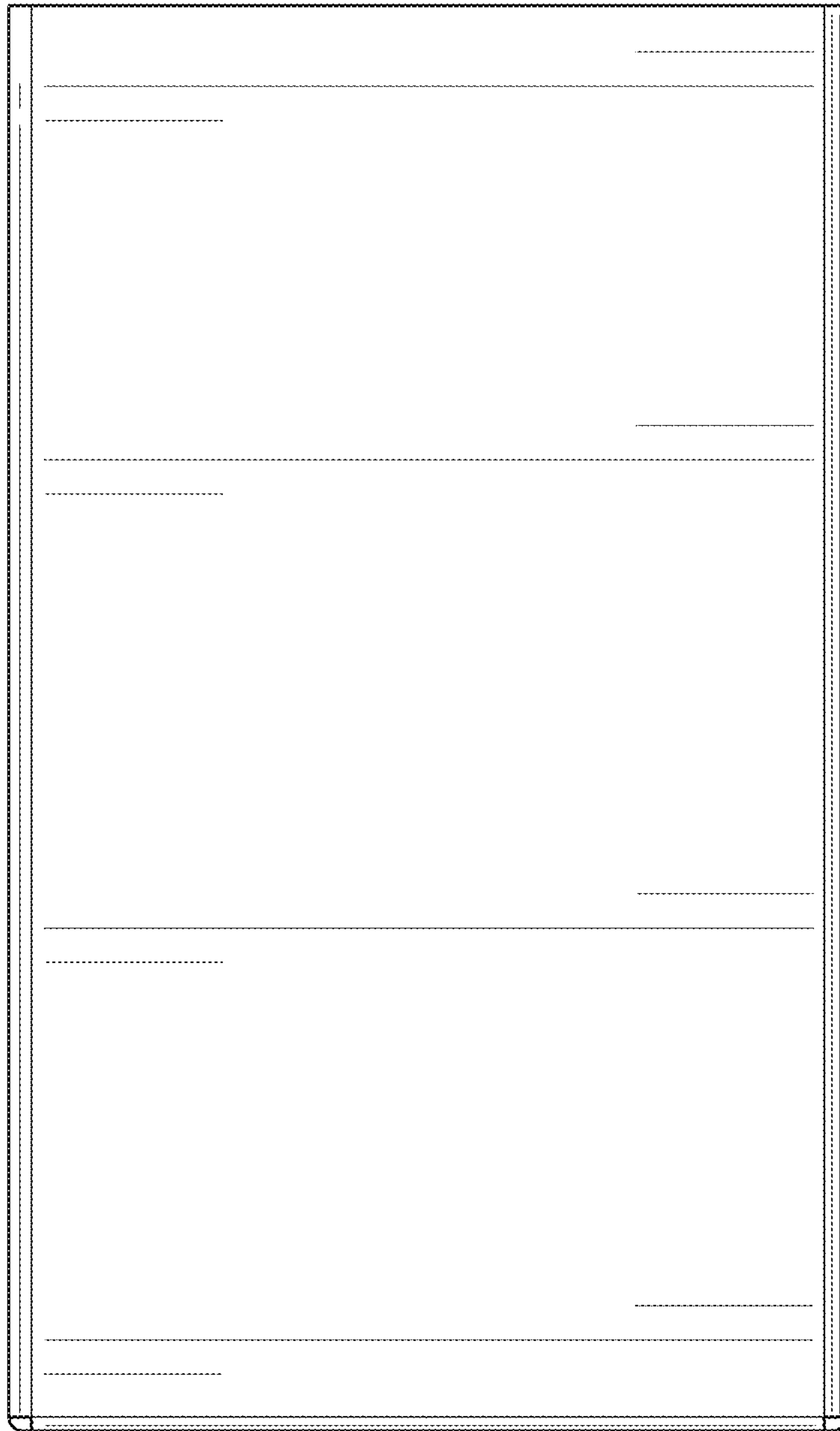


FIG. 6



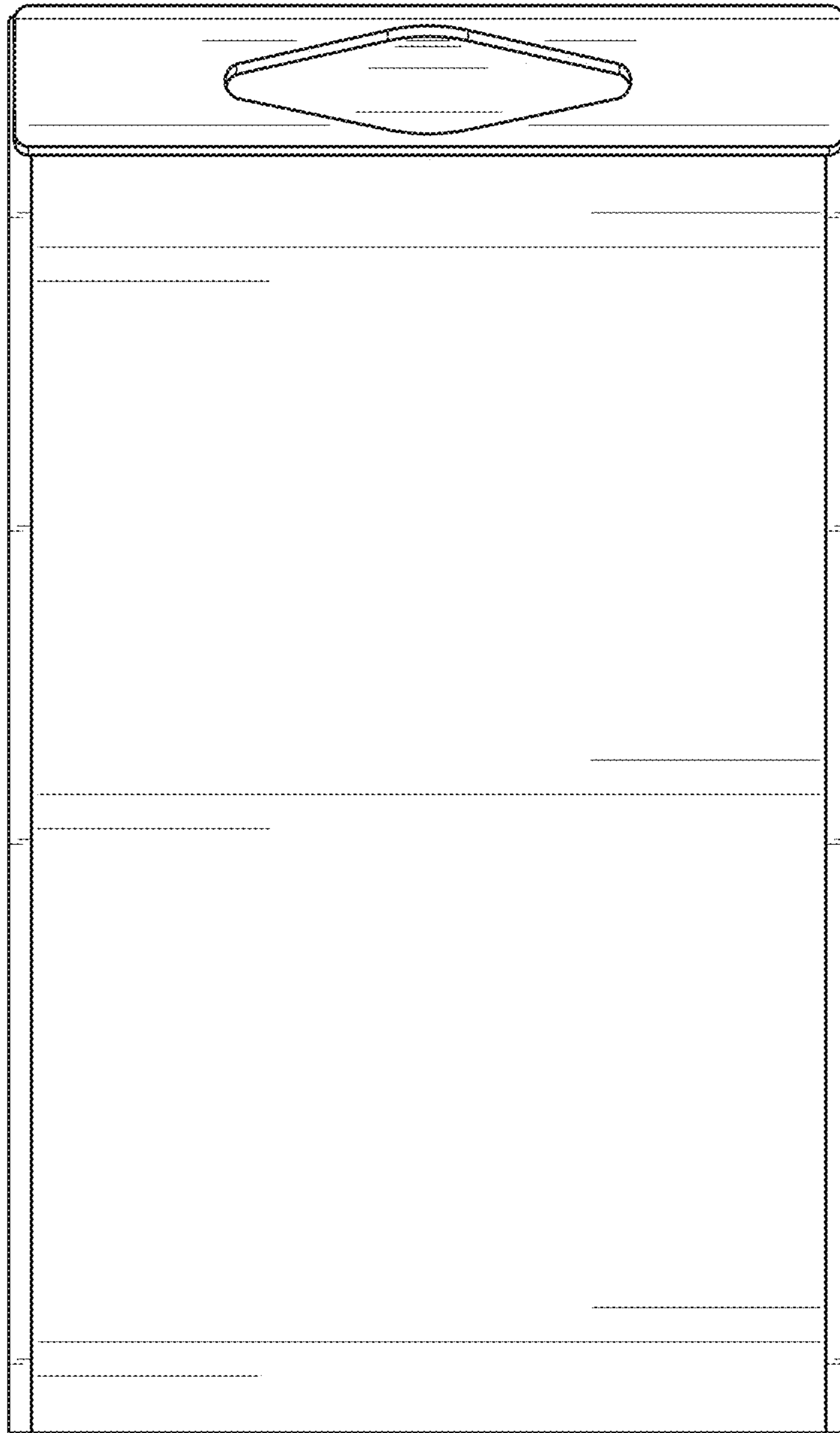


FIG. 7