

US00D932839S

(12) **United States Design Patent**
Lapeyrouse, Jr.

(10) **Patent No.:** **US D932,839 S**
(45) **Date of Patent:** **** Oct. 12, 2021**

(54) **TWISTABLY ACTUATED CONFECTIONARY DISPENSER**

(71) Applicant: **FTGC, LLC**, Marrero, LA (US)

(72) Inventor: **Paul Joseph Lapeyrouse, Jr.**, Marrero, LA (US)

(73) Assignee: **FTGC, LLC**, Marrero, LA (US)

(**) Term: **15 Years**

(21) Appl. No.: **35/001,773**

(22) Filed: **Dec. 5, 2019**

(80) **Hague Agreement Data**

Int. Filing Date: **Dec. 5, 2019**

Int. Reg. No.: **DM/209029**

Int. Reg. Date: **Dec. 5, 2019**

Int. Reg. Pub. Date: **Jul. 10, 2020**

(51) **LOC (13) Cl.** **07-07**

(52) **U.S. Cl.**
USPC **D7/589**

(58) **Field of Classification Search**

USPC D7/503, 589; D99/36; D20/3; D21/622
CPC B65D 85/60; B65D 83/0409; B65D
2583/0472; B65D 83/0829; A21C 15/002;
A47G 19/32

See application file for complete search history.

(56) **References Cited**

U.S. PATENT DOCUMENTS

D249,929 S * 10/1978 Russert D9/607
D404,437 S * 1/1999 Lam D21/460
D423,289 S * 4/2000 Bissell, Sr. D21/622
6,190,226 B1 2/2001 Conconi
6,399,126 B1 6/2002 Weldon, Jr.
D466,008 S * 11/2002 Michaels D9/730
D468,631 S 1/2003 Hart et al.
D490,961 S 6/2004 Hart et al.
6,884,447 B2 4/2005 Baker

7,025,232 B2 4/2006 Green
D551,511 S * 9/2007 Bruce D20/7
D589,956 S * 4/2009 Barker D14/480.2
D599,170 S * 9/2009 Bruce D20/7
D684,478 S 6/2013 Castillo
(Continued)

FOREIGN PATENT DOCUMENTS

JP 2016220887 A 12/2016
WO 02098764 A1 12/2002
(Continued)

OTHER PUBLICATIONS

Espacenet English Abstract for JP2016220887 A, printed on Sep. 21, 2020.

(Continued)

Primary Examiner — Michael A. Pratt
(74) *Attorney, Agent, or Firm* — Cahn & Samuels, LLP

(57) **CLAIM**

The ornamental design for a twistably actuated confectionery dispenser, as shown and described.

DESCRIPTION

1. Twistably actuated confectionery dispenser

1.1 : Perspective

1.2 : Top

1.3 : Bottom

1.4 : Front

1.5 : Back

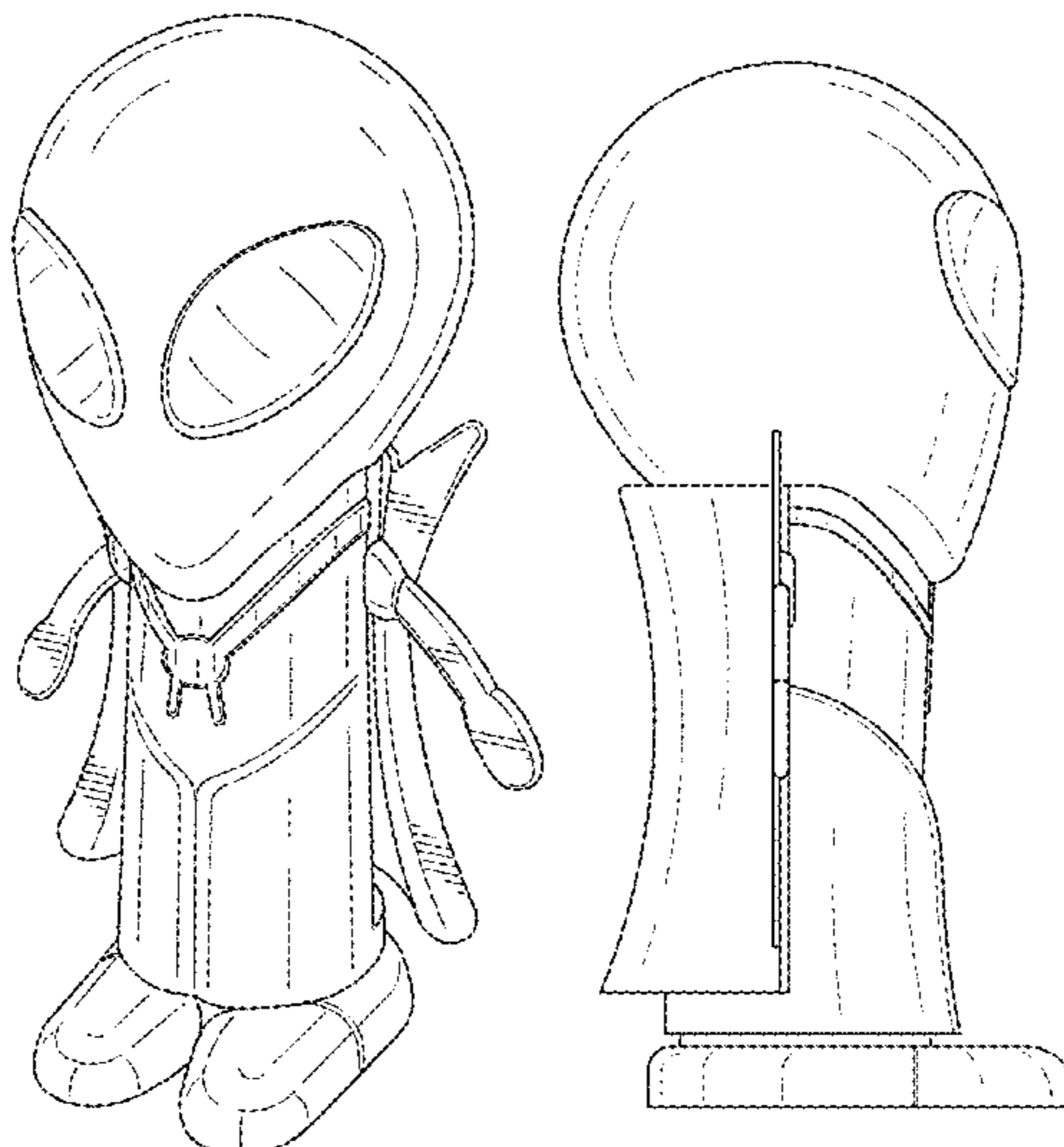
1.6 : Left

1.7 : Right

1.8 : Exploded

A confectionery dispenser for amusement in the form of a bug-like alien featuring a caped body with arms and a head detachable from a cylindrical gel confectionery containing reservoir forming the torso and legs with an integrated twistable plunger shaped as feet.

1 Claim, 8 Drawing Sheets



(56)

References Cited

U.S. PATENT DOCUMENTS

D810,390	S	2/2018	Lapeyrouse, Jr.
2002/0142073	A1	10/2002	Baker
2003/0082279	A1	5/2003	Chan
2003/0215549	A1	11/2003	Coleman
2019/0387766	A1	12/2019	Lapeyrouse, Jr.
2020/0198882	A1	6/2020	Lapeyrouse, Jr.

FOREIGN PATENT DOCUMENTS

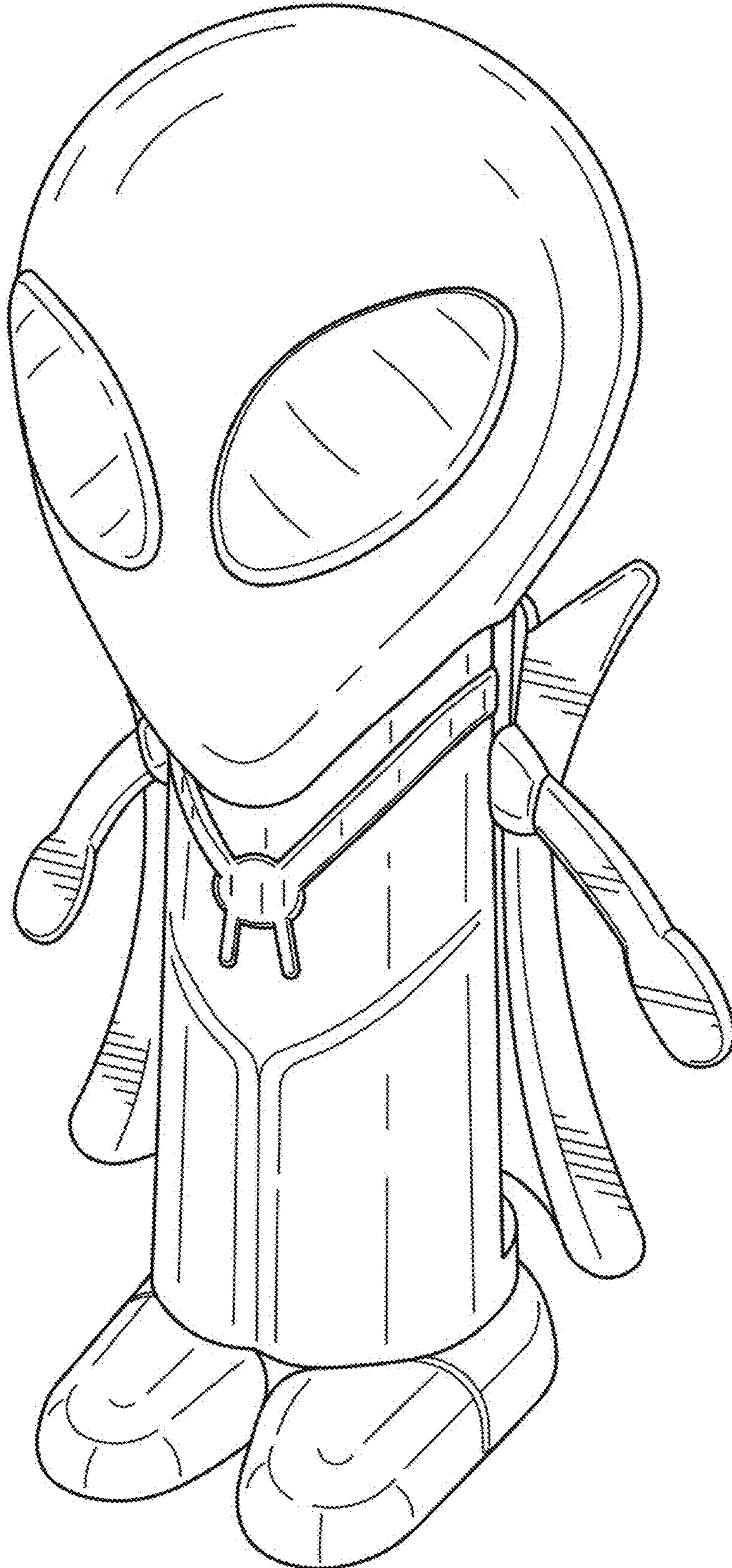
WO	DM103431	M	2/2018
WO	DM209154		3/2019

OTHER PUBLICATIONS

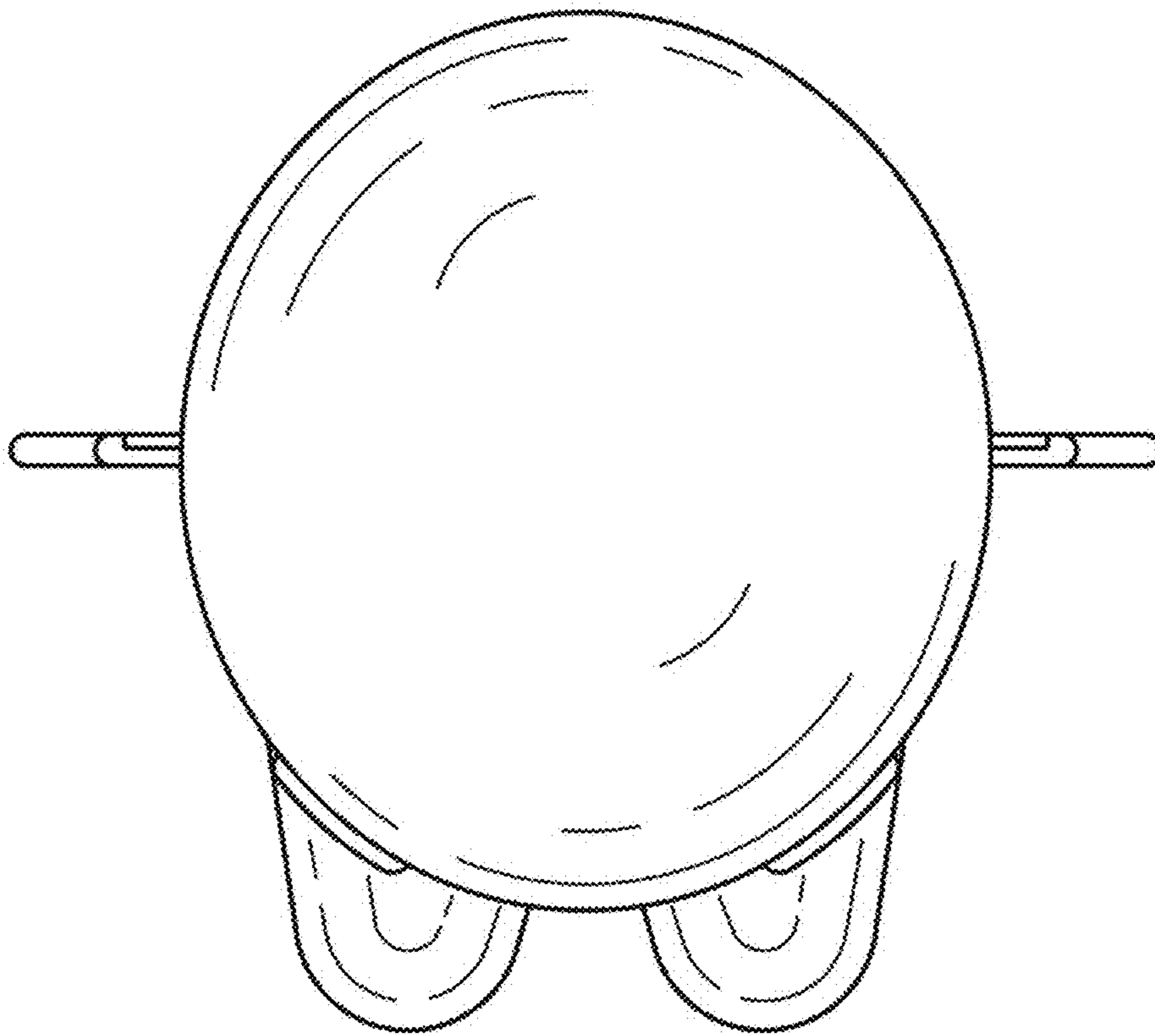
Hot Sale Snake Toy Candy—Funny Candy Toys—Snake Toy Candy, www.alibaba.com, Sep. 9, 2019.

* cited by examiner

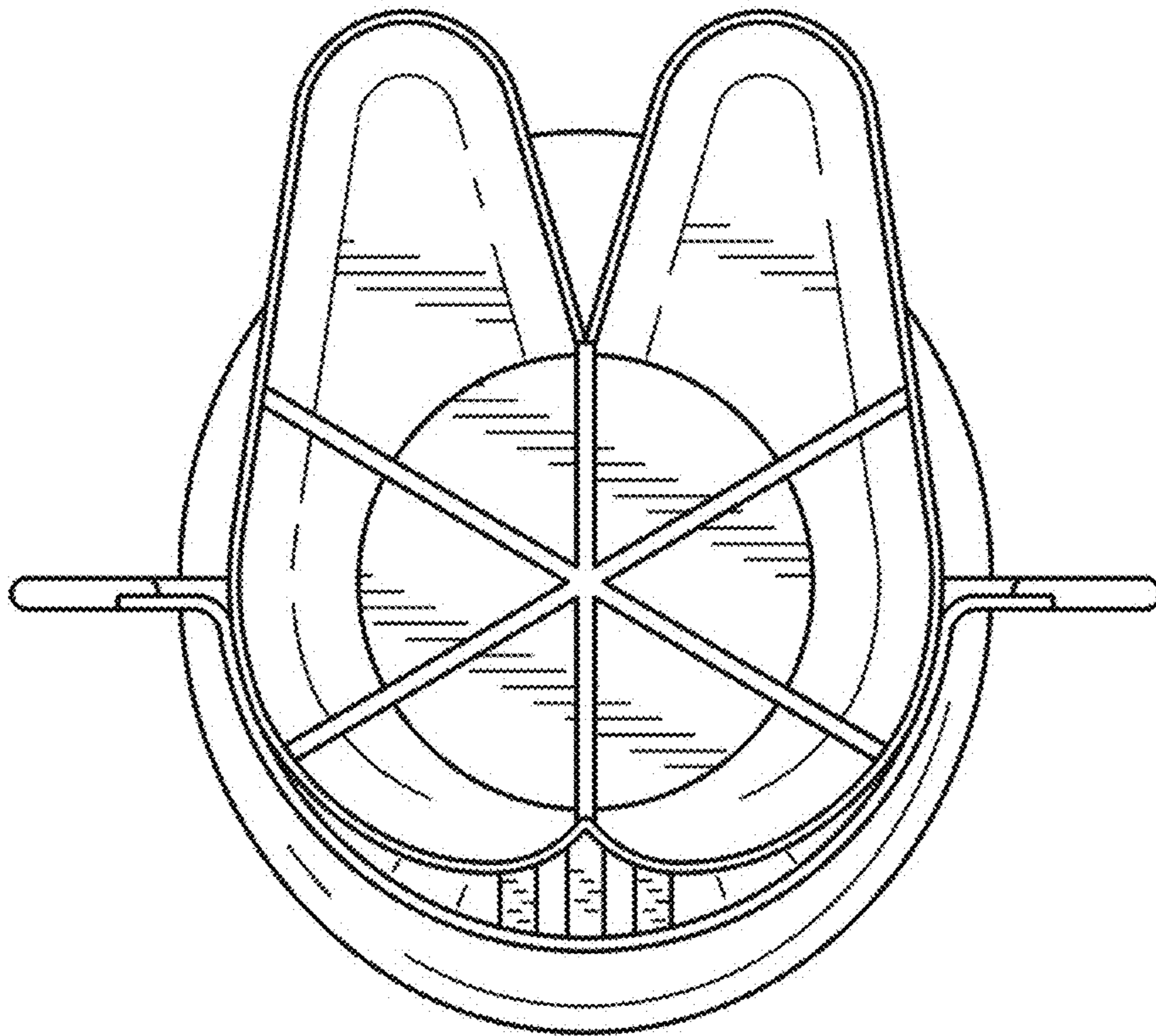
1.1



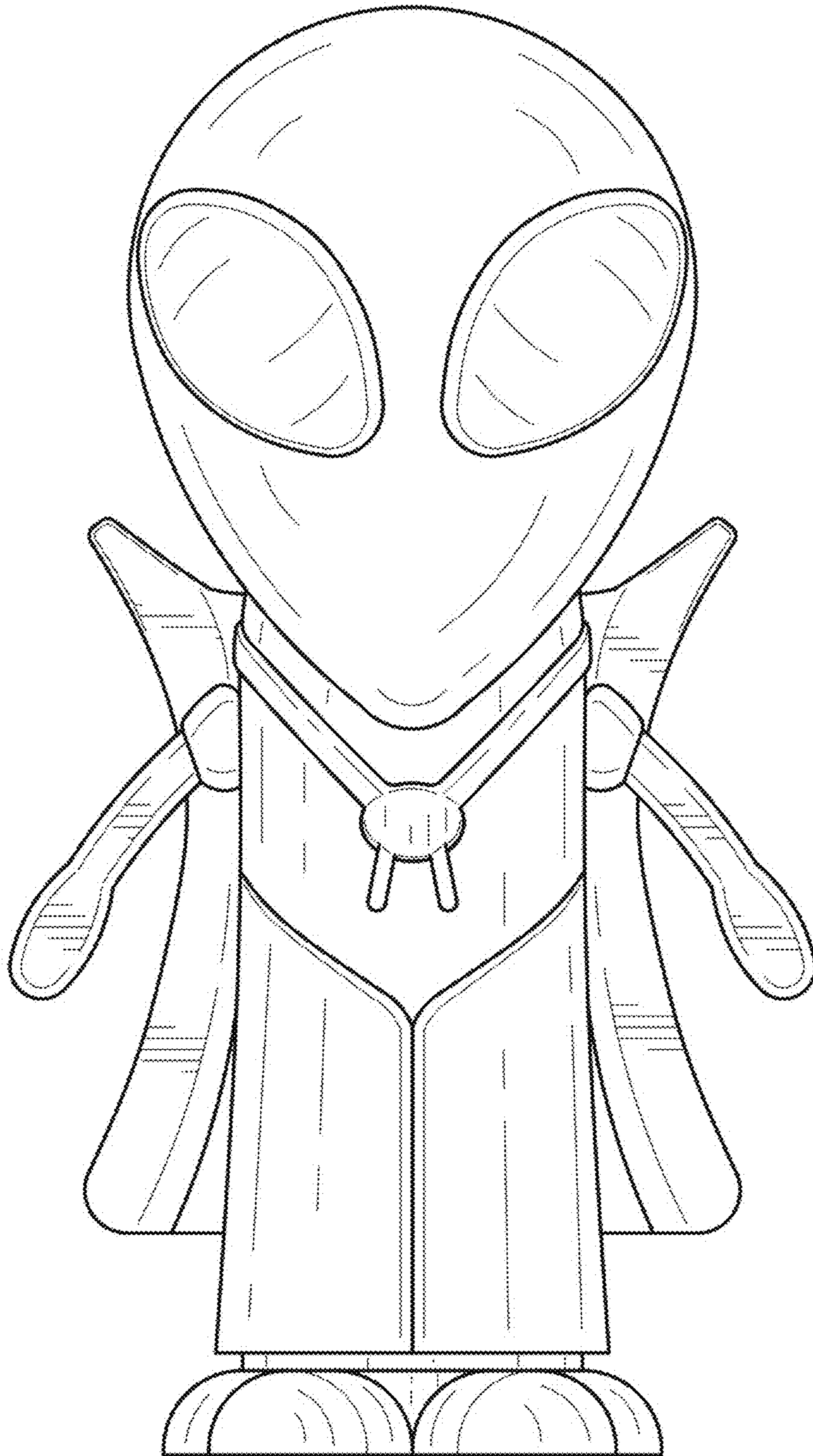
1.2



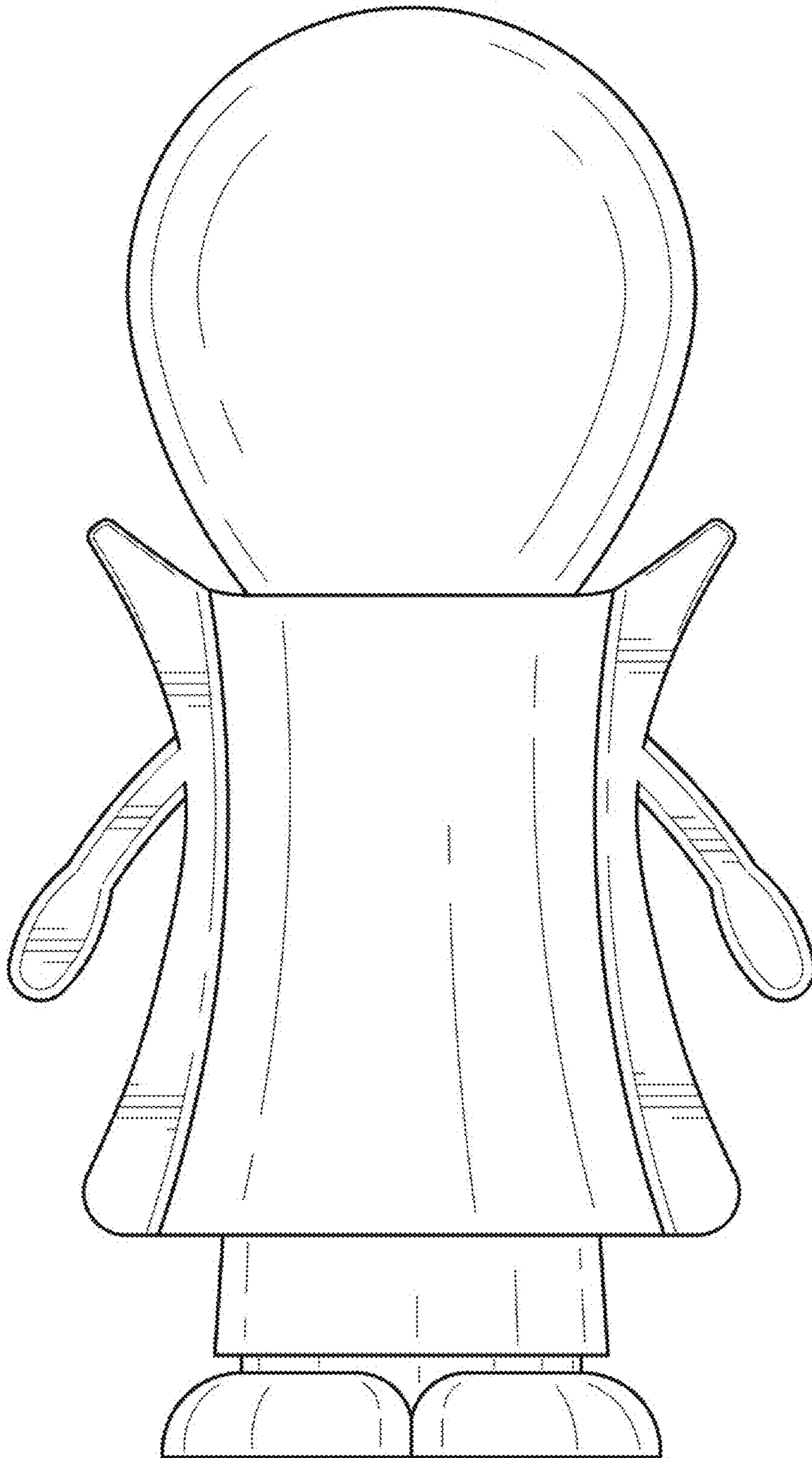
1.3



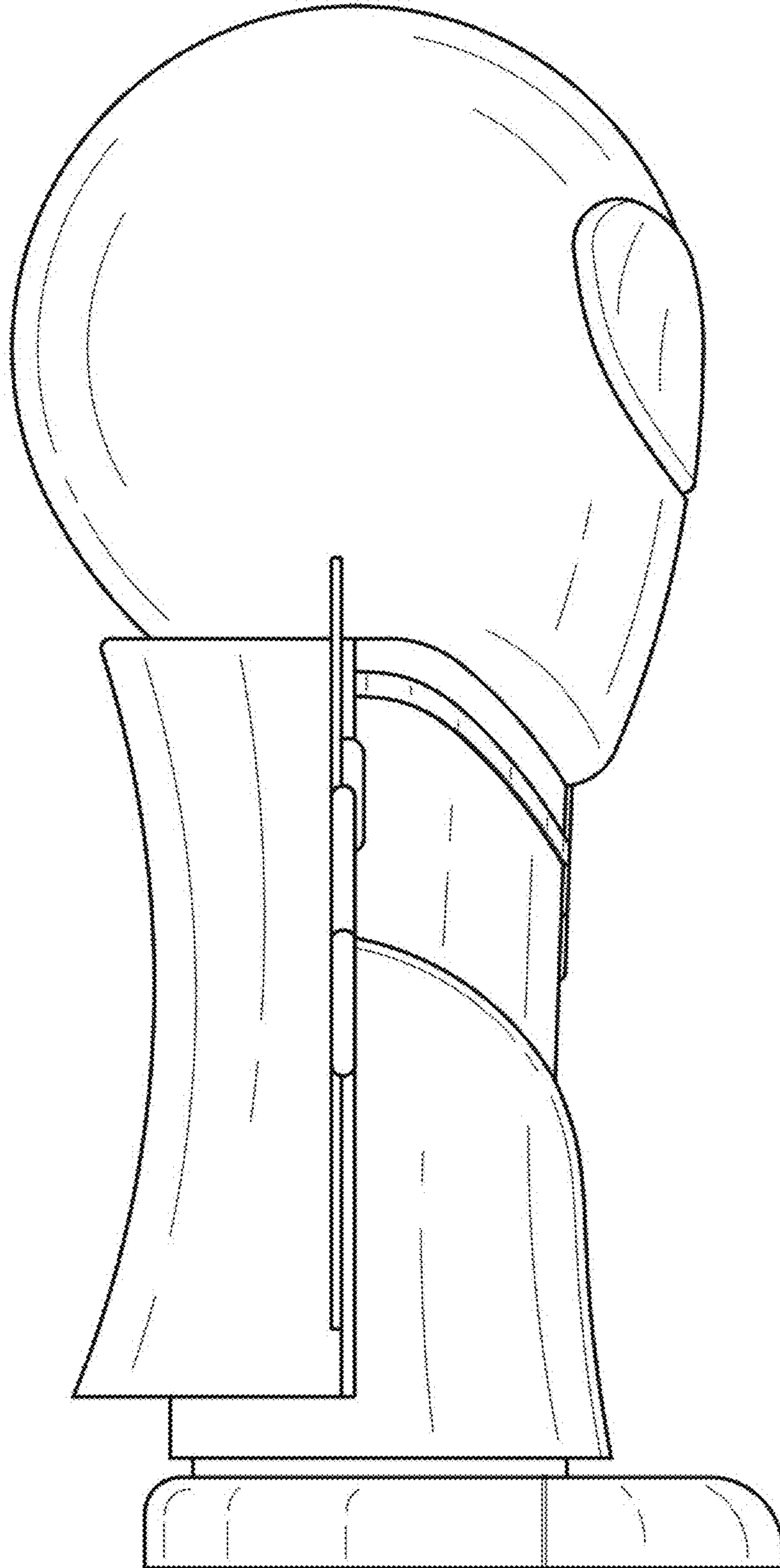
1.4



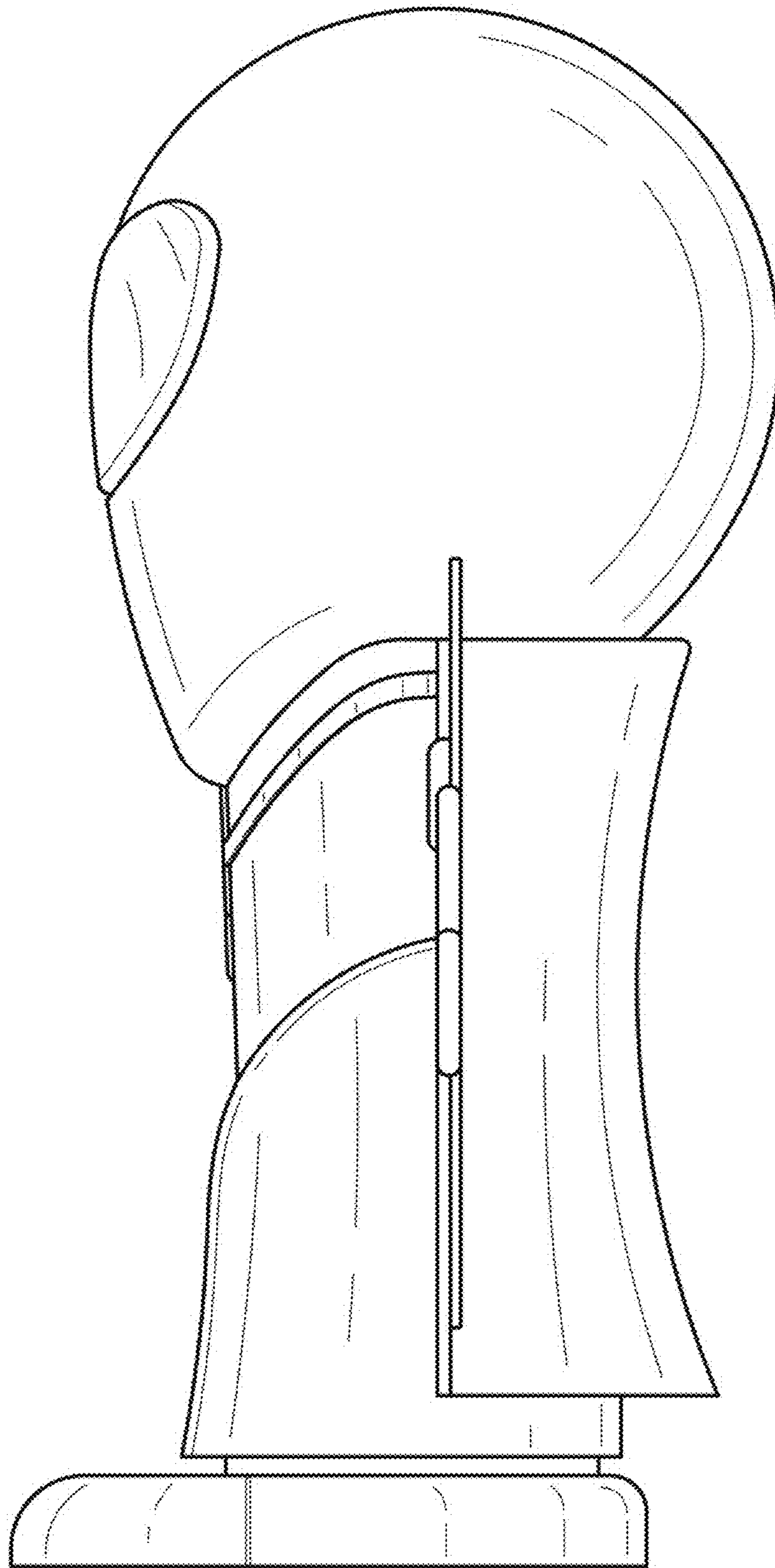
1.5



1.6



1.7



1.8

