



US00D932836S

(12) **United States Design Patent**
Kim et al.

(10) **Patent No.:** **US D932,836 S**

(45) **Date of Patent:** **** *Oct. 12, 2021**

(54) **DISPENSING BEVERAGE CONTAINER**

(71) Applicants: **Jee Yeon Yoo Kim**, Barrington, IL
(US); **Kristen Yoohee Min**, Wauconda,
IL (US)

(72) Inventors: **Jee Yeon Yoo Kim**, Barrington, IL
(US); **Kristen Yoohee Min**, Wauconda,
IL (US)

(*) Notice: This patent is subject to a terminal disclaimer.

(**) Term: **15 Years**

(21) Appl. No.: **29/651,702**

(22) Filed: **Jan. 18, 2019**

Related U.S. Application Data

(63) Continuation-in-part of application No. 13/998,382,
filed on Oct. 28, 2013.

(51) **LOC (13) Cl.** **01-07**

(52) **U.S. Cl.**
USPC **D7/510; D7/511; D7/534**

(58) **Field of Classification Search**

USPC D7/507, 509, 510, 511, 514, 515, 516,
D7/519, 523, 533, 534, 535, 536, 608,
D7/300.1, 300.2, 629, 300, 401.1, 392.1,
D7/396.2; D9/500, 501, 502, 503, 504,
D9/435, 436; D24/197

CPC A47G 19/22; A47G 19/2288; A47G
19/2205; A47G 19/2211; A47G 19/2266;
A47G 19/2272; B65D 47/066; A45F
3/16; A47J 41/02; A47J 41/0088

See application file for complete search history.

(56) **References Cited**

U.S. PATENT DOCUMENTS

D279,752 S * 7/1985 Jagger D24/197
D290,568 S * 6/1987 Feltman D7/536

D326,796 S * 6/1992 Kawano D7/510
D551,021 S * 9/2007 Rousso D7/510
D579,722 S * 11/2008 Sakulsacha D7/510
D627,594 S * 11/2010 Boonprasop D7/392.1
D688,524 S * 8/2013 Hsu D24/197
D740,074 S * 10/2015 Matta D7/536
D750,439 S * 3/2016 Saxton D7/509
D796,906 S * 9/2017 Schlegel D7/510
D821,147 S * 6/2018 Chung D7/510
D829,508 S * 10/2018 Bergstrom D7/534
D836,873 S * 12/2018 Schneider D32/53
D846,731 S * 4/2019 Partsch, IV D24/112

(Continued)

OTHER PUBLICATIONS

<https://innobaby.com/sippin-smart-ez-flow-stainless-sippy-pink/> (Year:
2016).*

Primary Examiner — Jae Liang

(74) *Attorney, Agent, or Firm* — Browdy and Neimark,
P.L.L.C.

(57) **CLAIM**

The ornamental design for a dispensing beverage container,
as shown and described.

DESCRIPTION

FIG. 1 is a perspective view of a dispensing beverage
container with the opaque inner cup and the straw portion
removed for ease of illustration;

FIG. 2 is an exploded view of the dispensing beverage
container;

FIG. 3 is a front elevation view of FIG. 2;

FIG. 4 is a right side elevation view of FIG. 2;

FIG. 5 is a rear elevation view of FIG. 2;

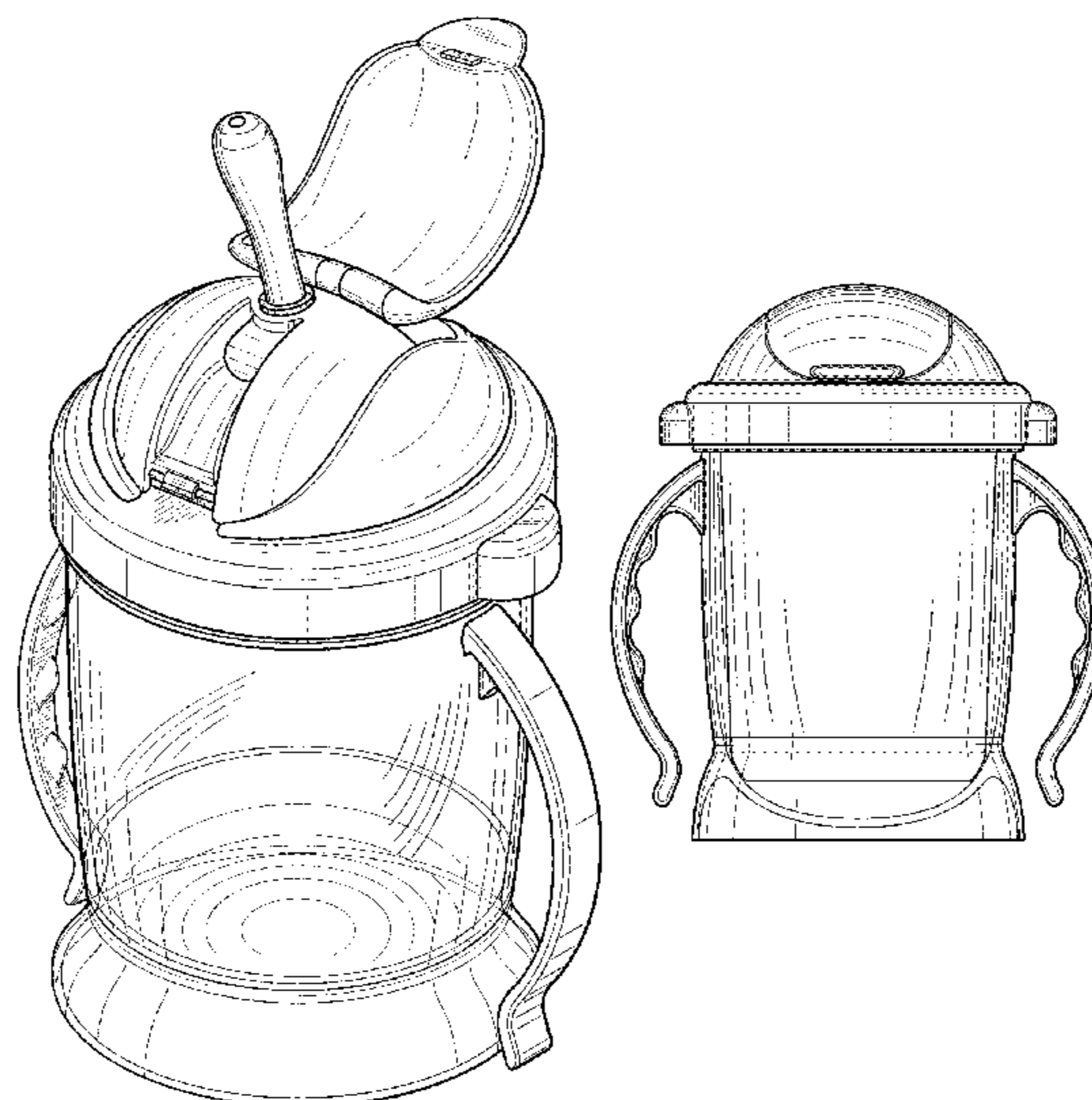
FIG. 6 is a left side elevation view of FIG. 2;

FIG. 7 is a top plan view of FIG. 2; and,

FIG. 8 is a bottom plan view of FIG. 2.

The broken lines in the drawings depict portions of the
dispensing beverage container that form no part of the
claimed design.

1 Claim, 4 Drawing Sheets



(56)

References Cited

U.S. PATENT DOCUMENTS

2011/0284538 A1* 11/2011 Valderrama A47G 19/2272
220/212.5
2014/0158699 A1* 6/2014 Kim A47G 19/2272
220/592.17

* cited by examiner

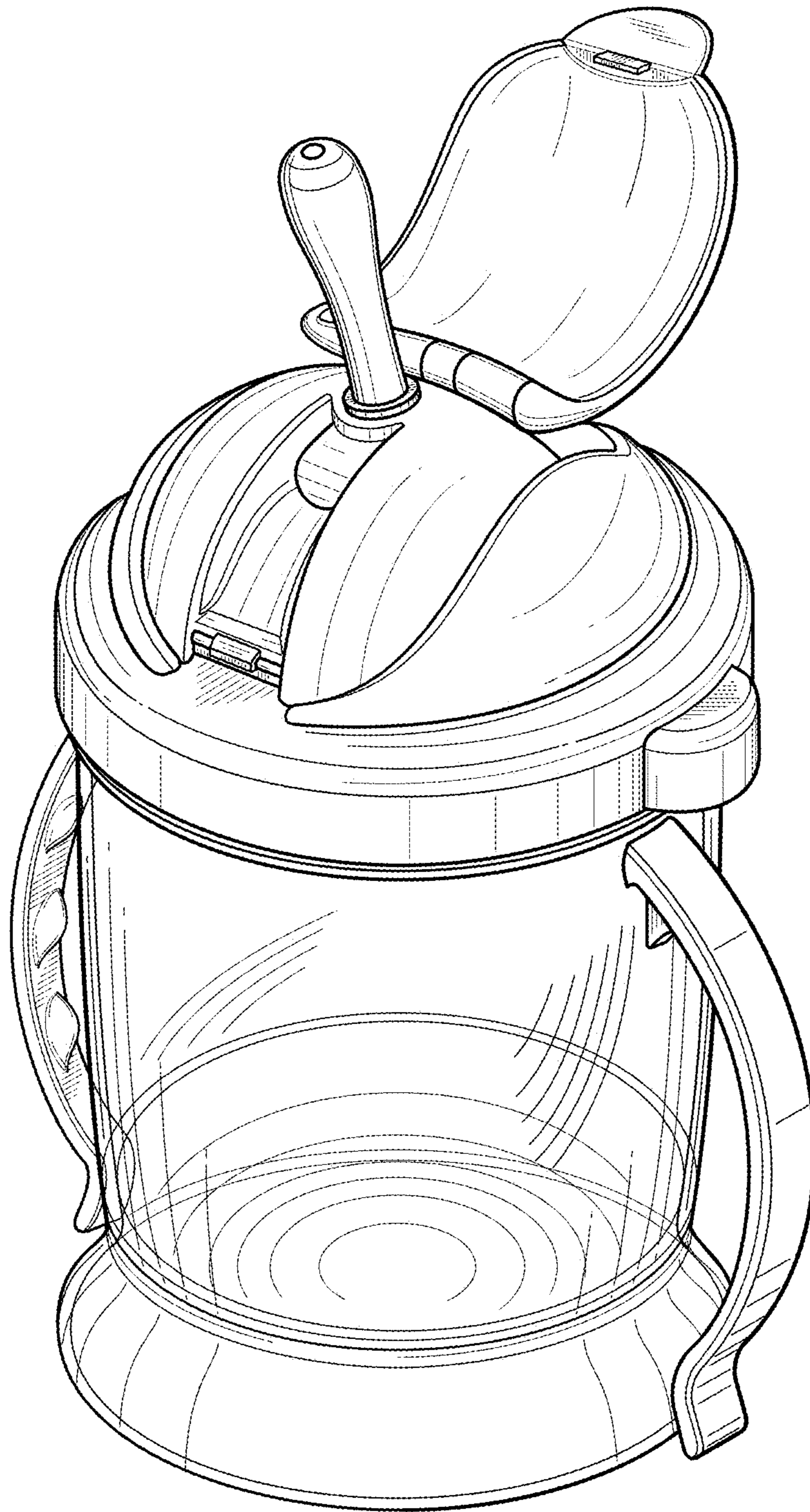
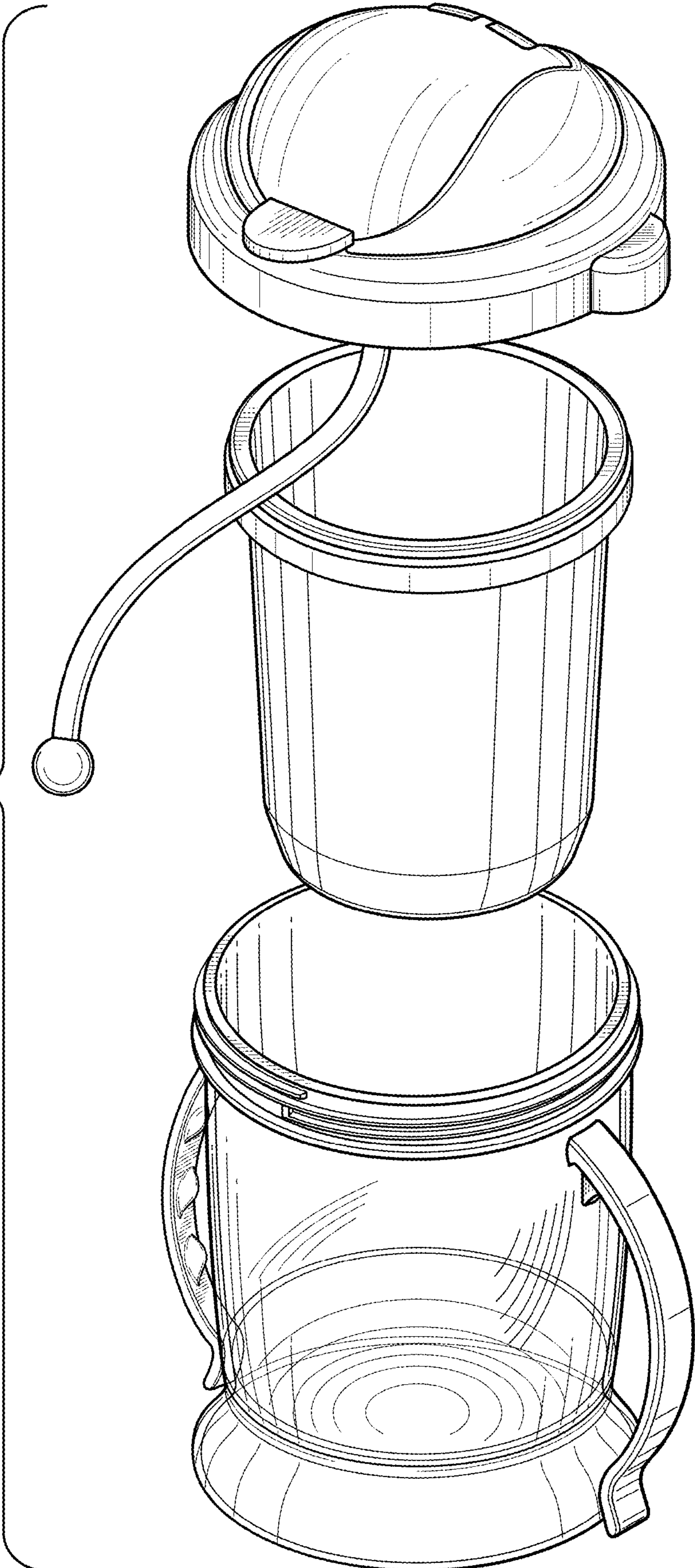


FIG. 1

FIG. 2



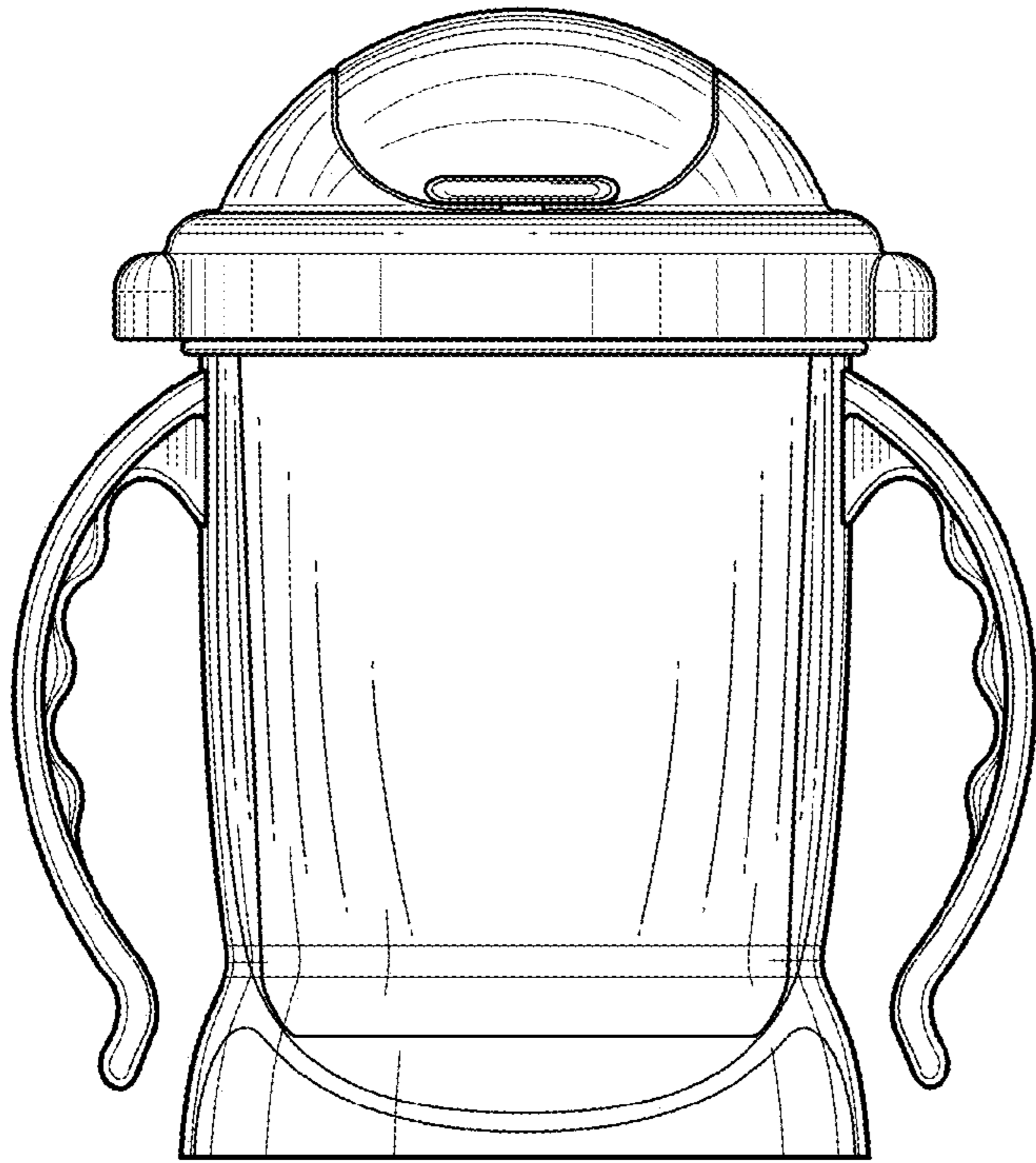


FIG. 3

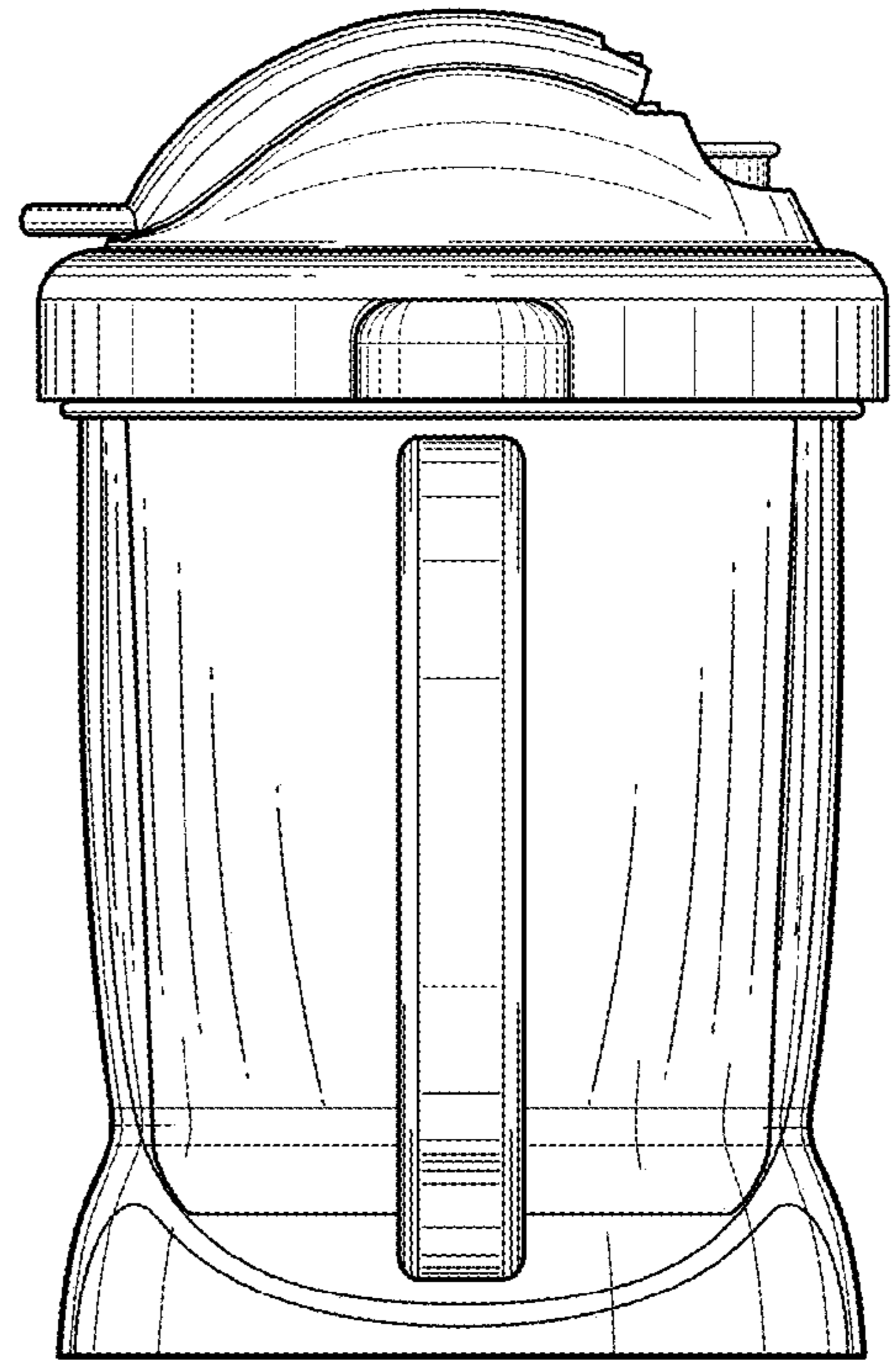


FIG. 4

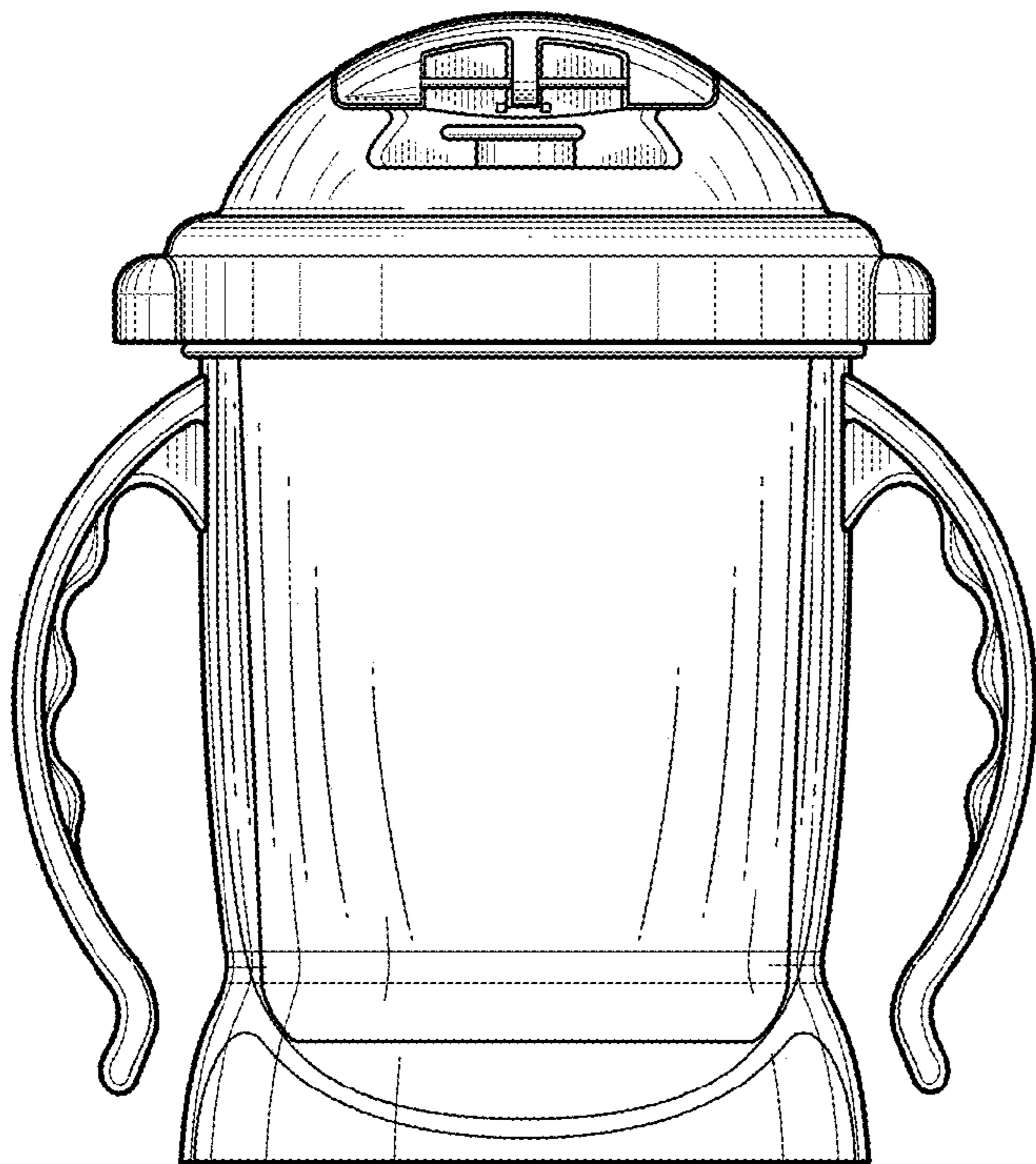


FIG. 5

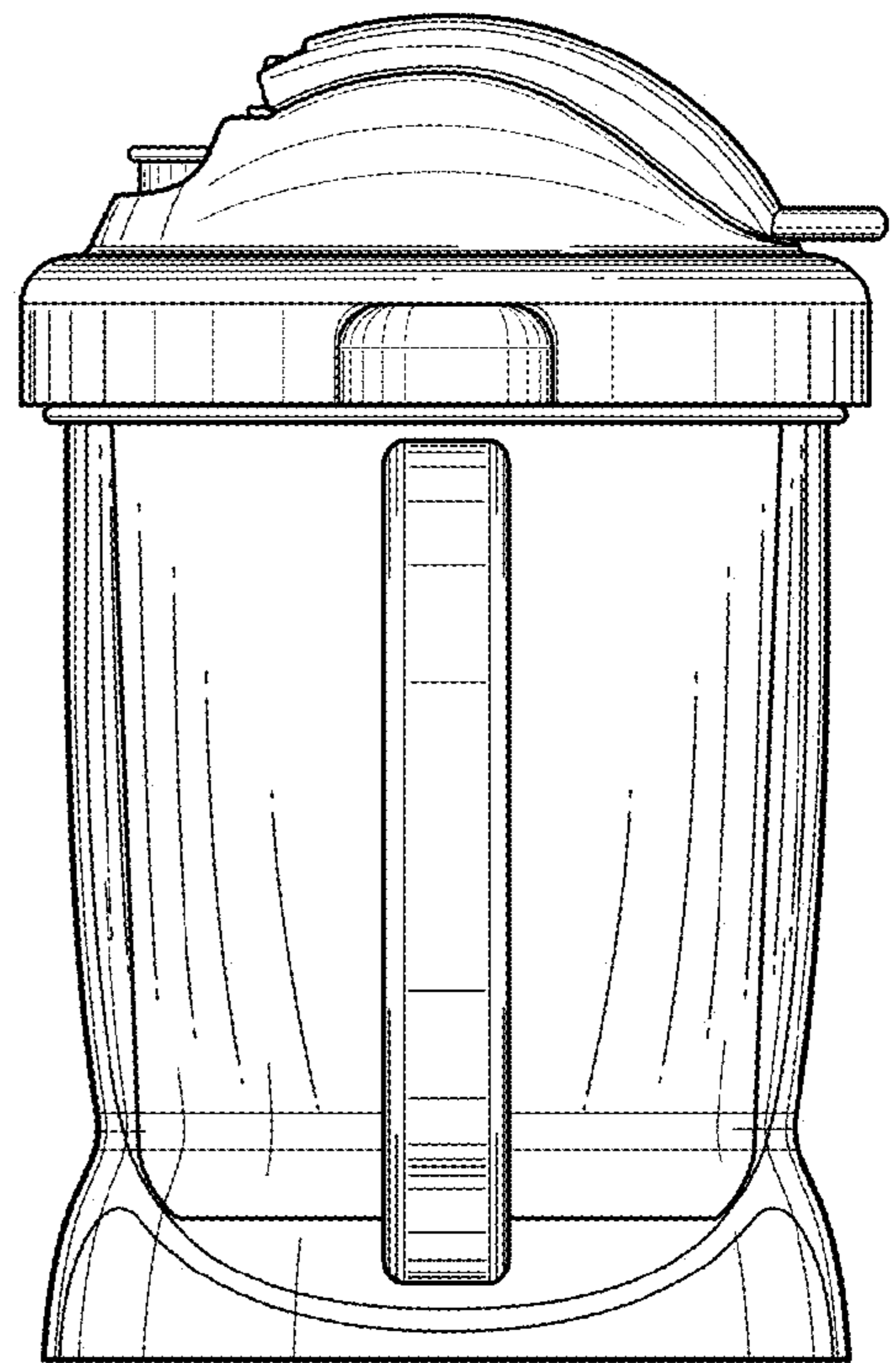


FIG. 6

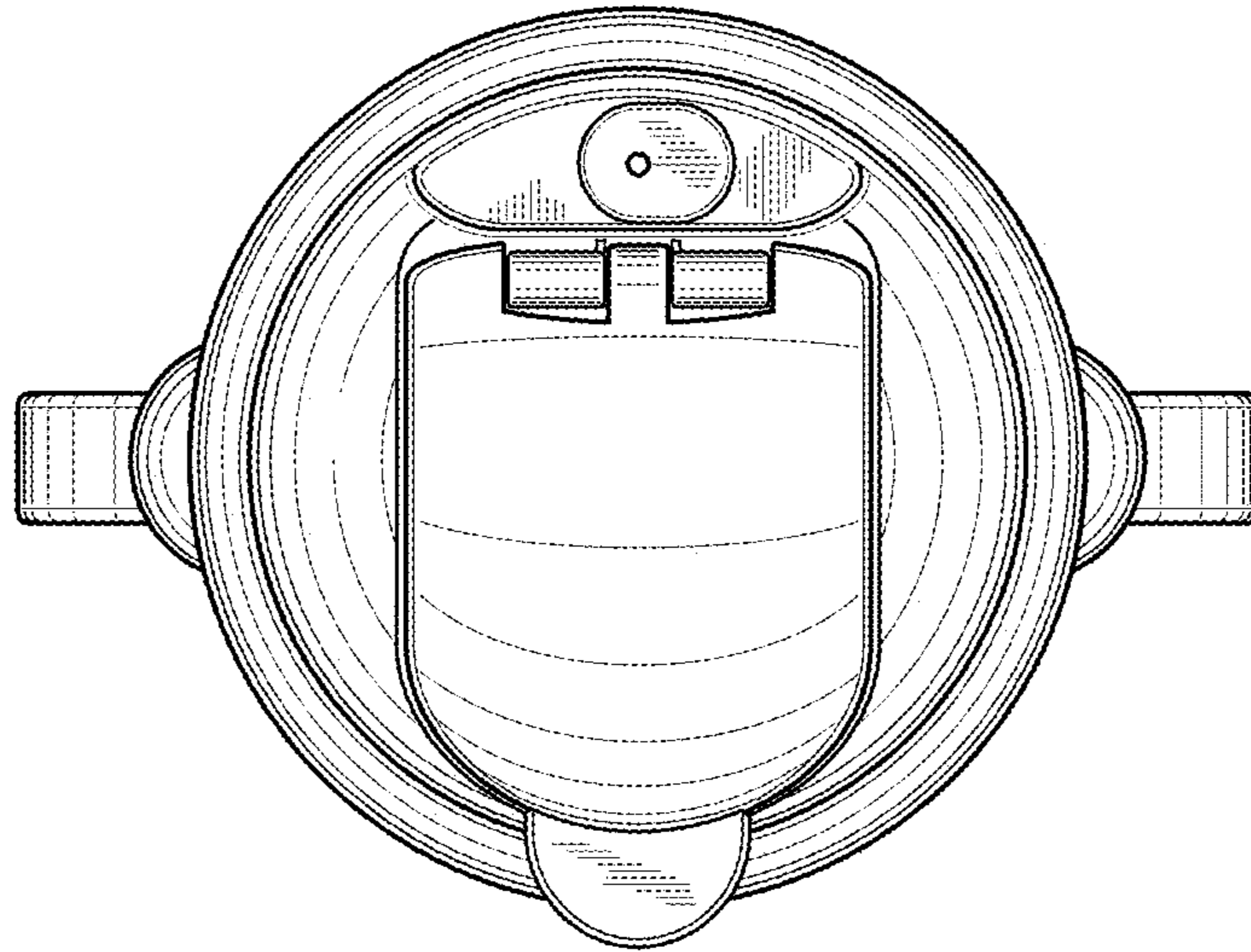


FIG. 7

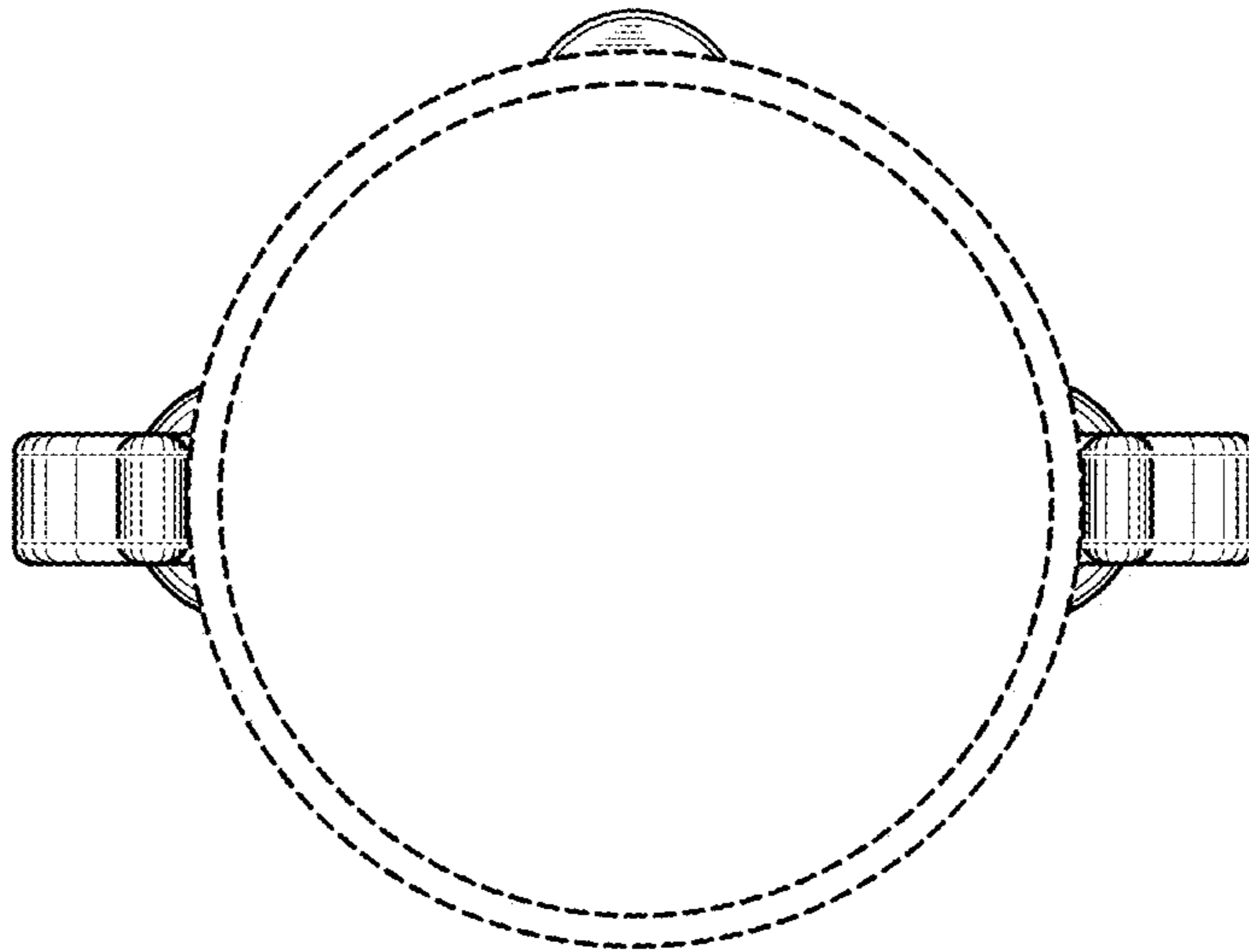


FIG. 8