



US00D932832S

(12) **United States Design Patent** (10) **Patent No.:** **US D932,832 S**  
**Wolfgram** (45) **Date of Patent:** **\*\* \*Oct. 12, 2021**

(54) **COMBINED TILTED CYLINDER DEVICE AND DRINKING VESSEL SURFACE**

(71) Applicant: **BenShot, LLC**, Appleton, WI (US)

(72) Inventor: **Ben Wolfgram**, Appleton, WI (US)

(73) Assignee: **BenShot, LLC**, Appleton, WI (US)

(\*) Notice: This patent is subject to a terminal disclaimer.

(\*\*) Term: **15 Years**

(21) Appl. No.: **29/746,194**

(22) Filed: **Aug. 12, 2020**

(51) **LOC (13) Cl.** ..... **07-01**

(52) **U.S. Cl.**  
USPC ..... **D7/396.2; D7/507; D7/514; D7/515**

(58) **Field of Classification Search**  
USPC ... **D7/300–303, 387, 396.1, 396.2, 397, 500, D7/502, 505–507, 509–523, 529–545,**  
(Continued)

(56) **References Cited**

**U.S. PATENT DOCUMENTS**

D628,439 S 12/2010 LeVere  
D663,589 S \* 7/2012 Pascot ..... D7/509  
(Continued)

**OTHER PUBLICATIONS**

Final Touch Breakaway Whiskey Cocktail Hockey Puck Tumbler, first available Sep. 19, 2019, Amazon, [online], [site visited Jul. 26, 2021], Available from internet URL: <https://www.amazon.com/Final-Touch-Breakaway-Tumbler-Chilling/dp/B07Y3VSFH5> (Year: 2019).\*  
(Continued)

*Primary Examiner* — Mary Ann Calabrese  
*Assistant Examiner* — Natalya M Rapundalo

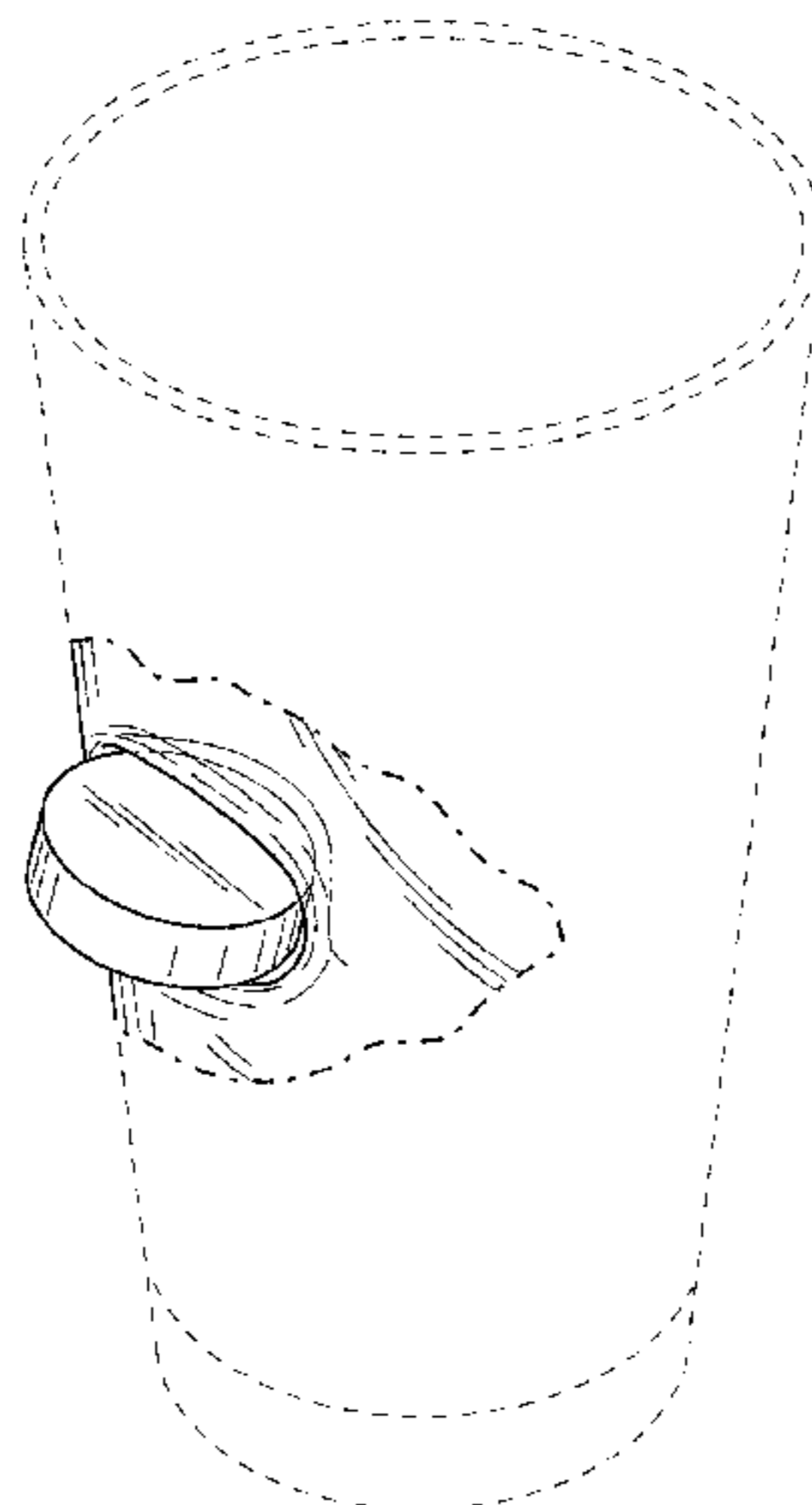
(57) **CLAIM**

The ornamental design for a combined tilted cylinder device and drinking vessel surface, as shown and described.

**DESCRIPTION**

FIG. 1 is a perspective view showing the combined tilted cylinder device and drinking vessel surface embodying the new design;  
FIG. 2 is a front elevation view thereof;  
FIG. 3 is a right side elevation view thereof;  
FIG. 4 is a left side elevation thereof;  
FIG. 5 is a top plan view thereof;  
FIG. 6 is a bottom plan view thereof;  
FIG. 7 is a perspective view showing a second embodiment of the combined tilted cylinder device and drinking vessel surface;  
FIG. 8 is a front elevation view thereof;  
FIG. 9 is a right side elevation view thereof;  
FIG. 10 is a left side elevation thereof;  
FIG. 11 is a top plan view thereof;  
FIG. 12 is a bottom plan view thereof;  
FIG. 13 is a perspective view showing a third embodiment of the combined tilted cylinder device and drinking vessel surface;  
FIG. 14 is a front elevation view thereof;  
FIG. 15 is a right side elevation view thereof;  
FIG. 16 is a left side elevation thereof;  
FIG. 17 is a top plan view thereof;  
FIG. 18 is a bottom plan view thereof;  
FIG. 19 is a perspective view showing a fourth embodiment of the combined tilted cylinder device and drinking vessel surface;  
FIG. 20 is a front elevation view thereof;  
FIG. 21 is a right side elevation view thereof;  
FIG. 22 is a left side elevation thereof;  
FIG. 23 is a top plan view thereof; and,  
FIG. 24 is a bottom plan view thereof.  
The broken lines in the drawing views depict environment that forms no part of the claimed design. The dot dash broken lines illustrate a boundary that forms no part of the claimed design.

**1 Claim, 14 Drawing Sheets**



(58) **Field of Classification Search**

USPC ..... D7/555-558, 560, 571-573, 577,  
 D7/598-599, 601-604, 611, 619.1, 619.2,  
 D7/701, 702, 900, 901; D1/106, 115;  
 D3/270, 271.8, 271.9; D6/580, 665;  
 D8/21, 26, 76, 378; D9/519, 529,  
 D9/544-545, 549, 553, 558, 572, 600,  
 D9/642-645, 649, 651, 655, 658, 668,  
 D9/679-680; D11/44, 48, 62-63, 67-68,  
 D11/86, 89-90, 131, 200, 204, 217, 223,  
 D11/225, 238; D21/301, 312-315,  
 D21/386-387, 710, 725, 727, 780;  
 D22/112-114, 144; D27/118-120, 148,  
 D27/151, 165, 188; D99/5  
 CPC ..... A45D 33/008; A45F 3/16; A45F 3/20;  
 A47G 19/22; A47G 19/2205; A47G  
 19/26; A47G 2019/2277; A47G 21/18;  
 B65D 1/00; B65D 1/02; B65D 1/32;  
 B65D 11/00; B65D 11/02; B65D 11/10;  
 B65D 11/14; B65D 11/16; B65D 11/18;  
 B65D 11/20; B65D 15/00; B65D 15/02;  
 B65D 15/22; B65D 15/24

See application file for complete search history.

(56) **References Cited**

U.S. PATENT DOCUMENTS

D665,987 S \* 8/2012 El ..... D2/976  
 D724,898 S \* 3/2015 Willat ..... D7/523  
 D754,481 S 4/2016 Carpenter et al.  
 D817,551 S \* 5/2018 Montoli ..... A45D 33/008  
 D28/82  
 D850,210 S \* 6/2019 Wolfgram ..... D7/515  
 D857,450 S 8/2019 Wolfgram  
 D859,082 S \* 9/2019 Wolfgram ..... D7/515  
 D875,474 S \* 2/2020 Deutsch ..... D7/529  
 D883,031 S \* 5/2020 Wolfgram ..... D7/515  
 D895,364 S \* 9/2020 Wolfgram ..... A45D 33/008  
 D7/515

D896,576 S \* 9/2020 Wolfgram ..... D7/396.2  
 D897,751 S \* 10/2020 Wolfgram ..... D7/300.1  
 D919,953 S \* 5/2021 Dorn ..... D2/976

OTHER PUBLICATIONS

Glass Beer Mug Hockey Puck, Etsy, [online], [site visited Jul. 26, 2021], Available from internet URL: <https://www.etsy.com/listing/937746408/glass-beer-mug-hockey-puck-glass-hockey> (Year: 2021).\*

BenShot LLC, BenShot SlapShot™ Hockey Puck Glasses, accessed Aug. 3, 2020, <https://benshot.com/products/slapshot-hockey-puck-glasses>, published Jun. 22, 2020.

BenShot LLC, Amazon listing for BenShot Hockey Puck Glass, accessed Aug. 3, 2020, [https://www.amazon.com/BenShot-Hockey-Puck-Glass-16oz/dp/B08DFQ1JX3/ref=sr\\_1\\_1?dchild=1&keywords=benshot%2Bpuck&qid=1596472520&sr=8-1&th=1](https://www.amazon.com/BenShot-Hockey-Puck-Glass-16oz/dp/B08DFQ1JX3/ref=sr_1_1?dchild=1&keywords=benshot%2Bpuck&qid=1596472520&sr=8-1&th=1), published Jul. 22, 2020.

BenShot LLC, Instagram webpage post, accessed Aug. 3, 2020, <https://www.instagram.com/p/CC4L55Khtpy/>, published Jul. 20, 2020.

BenShot LLC, Instagram webpage post, accessed Aug. 3, 2020, <https://www.instagram.com/p/CB1Nr6uhbPC/>, published Jun. 24, 2020.

BenShot LLC, Facebook webpage post, accessed Aug. 3, 2020, <https://www.facebook.com/benshotUSA/>, published Jun. 24, 2020.

Stuck in Glass, Up The Ante Whiskey Glass, accessed Aug. 6, 2020, <https://stuckinglass.com/collections/whiskey-glasses/products/up-the-ante-whiskey-glass?variant=3022655586317>.

Stuck in Glass, The Piece of Eight Whiskey Glass, accessed Aug. 6, 2020, <https://stuckinglass.com/collections/whiskey-glasses/products/the-piece-of-eight>.

Stuck in Glass, Day At The Beach Whiskey Glass, accessed Aug. 6, 2020, <https://stuckinglass.com/collections/whiskey-glasses/products/day-at-the-beach-whiskey-glass>.

Stuck in Glass, Up The Ante Pint Glass, accessed Aug. 6, 2020, <https://stuckinglass.com/collections/pint-glasses/products/up-the-ante-pint-glass>.

Stuck in Glass, The Gold Doubloon Pint Glass, accessed Aug. 6, 2020, <https://stuckinglass.com/collections/pint-glasses/products/the-gold-doubloon>.

\* cited by examiner

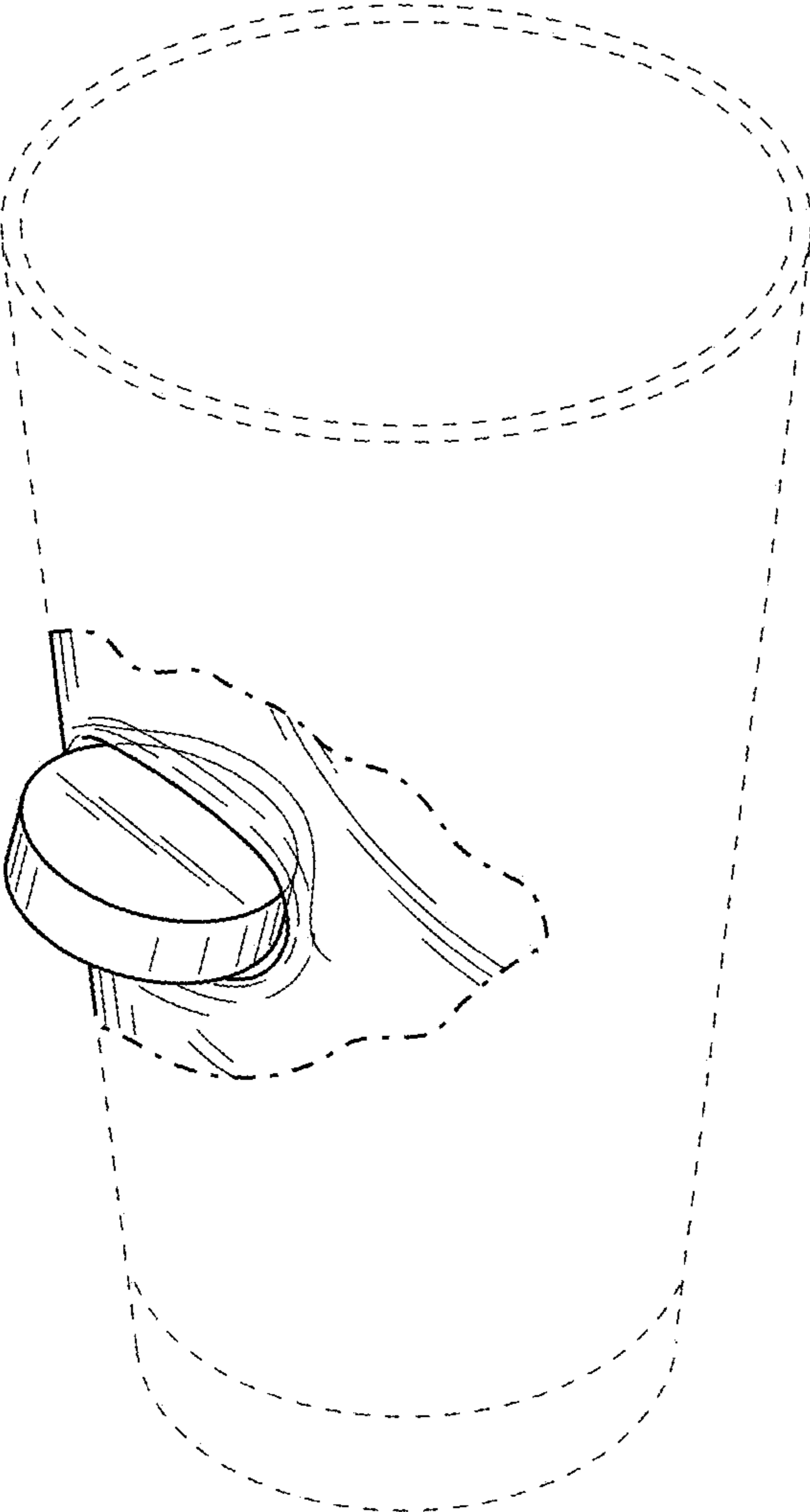


FIG. 1

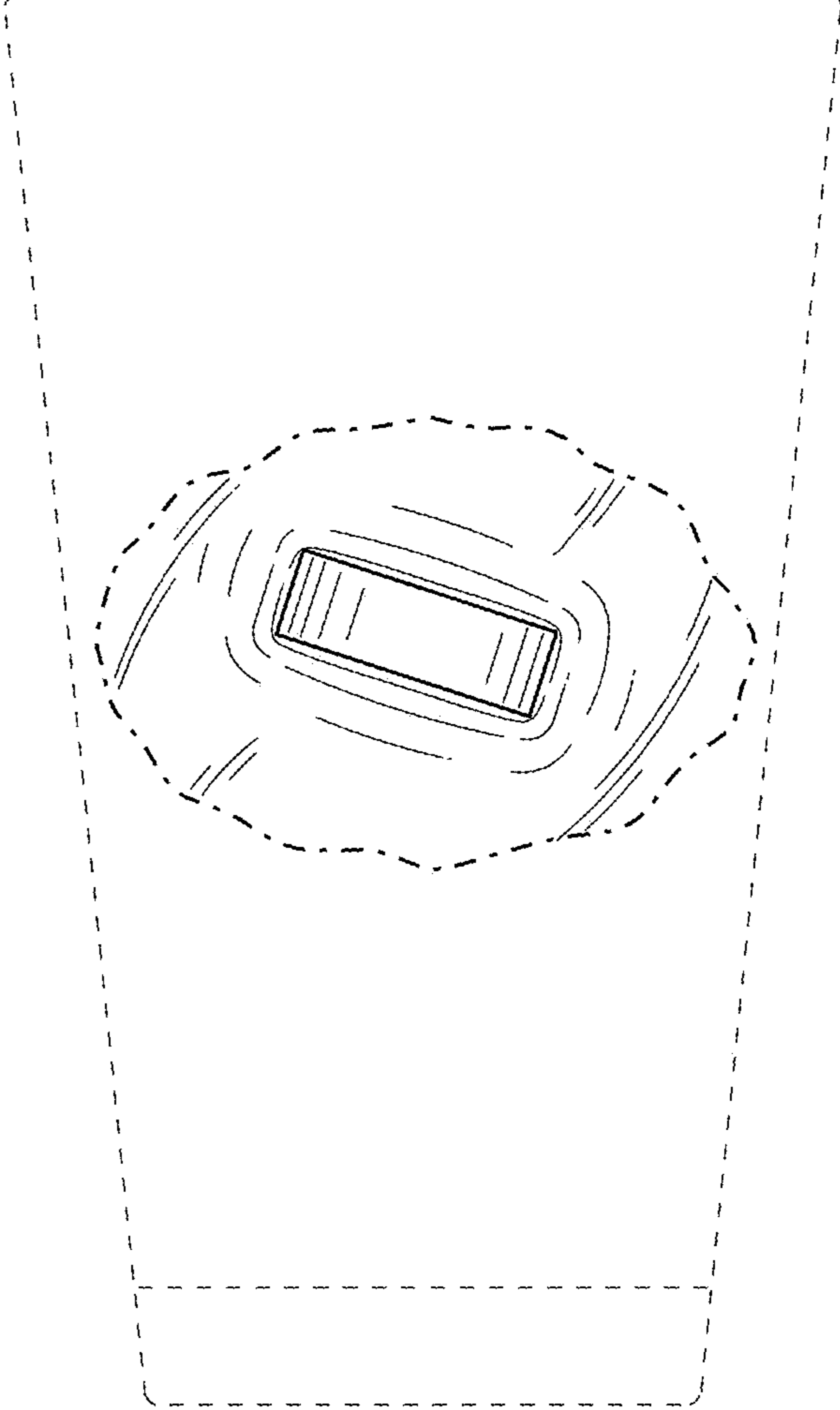


FIG. 2

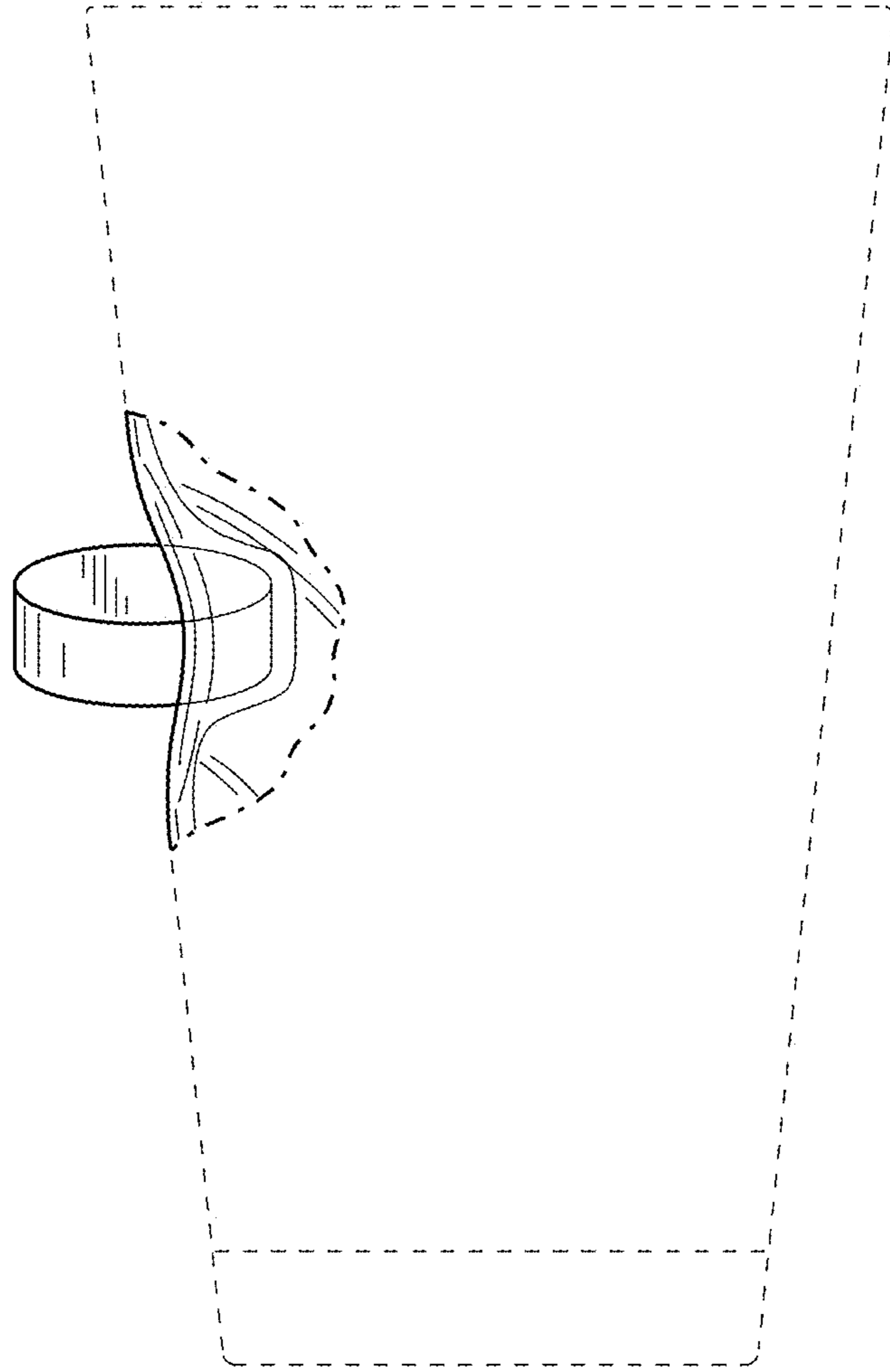


FIG. 3

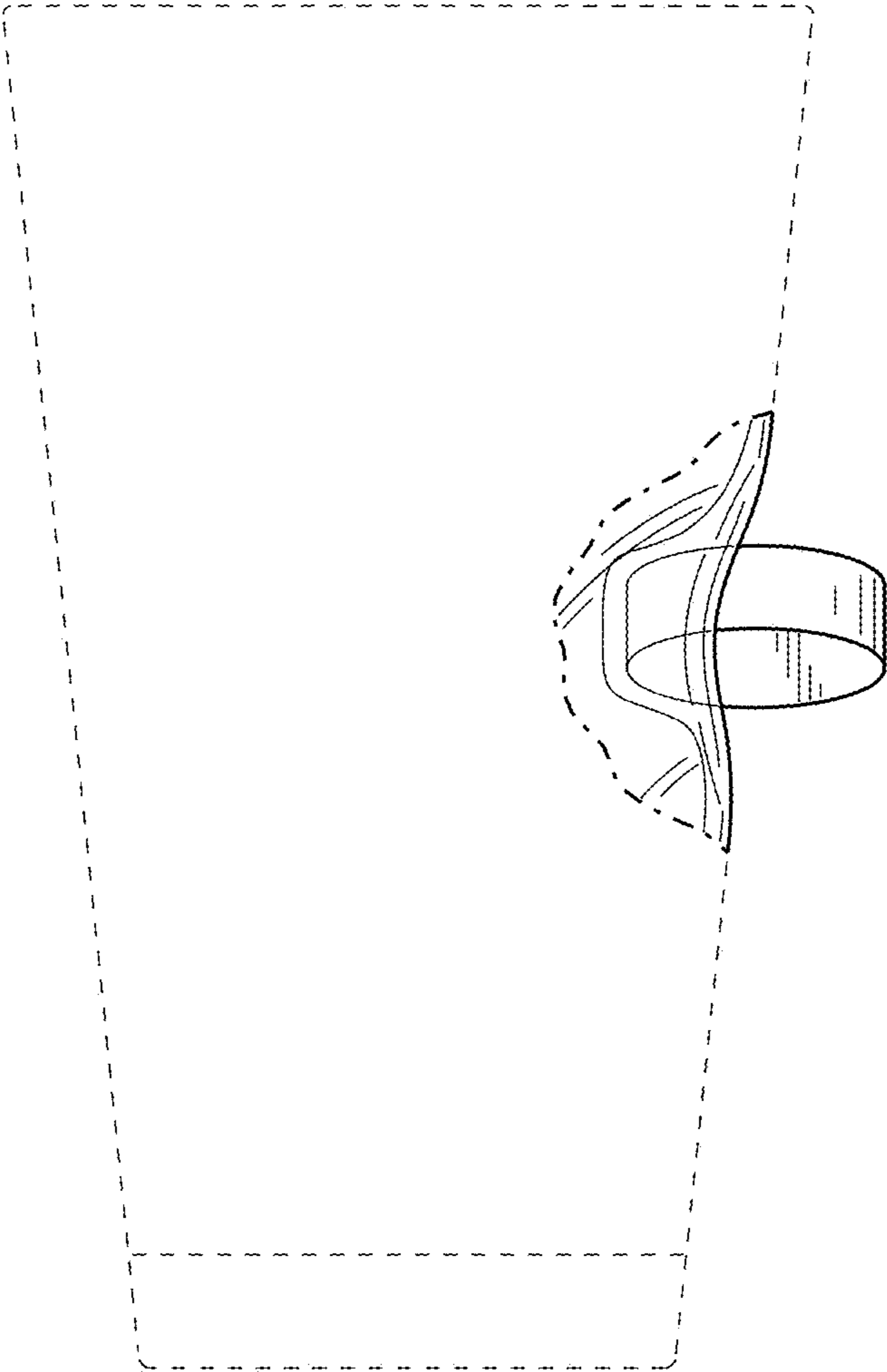


FIG. 4

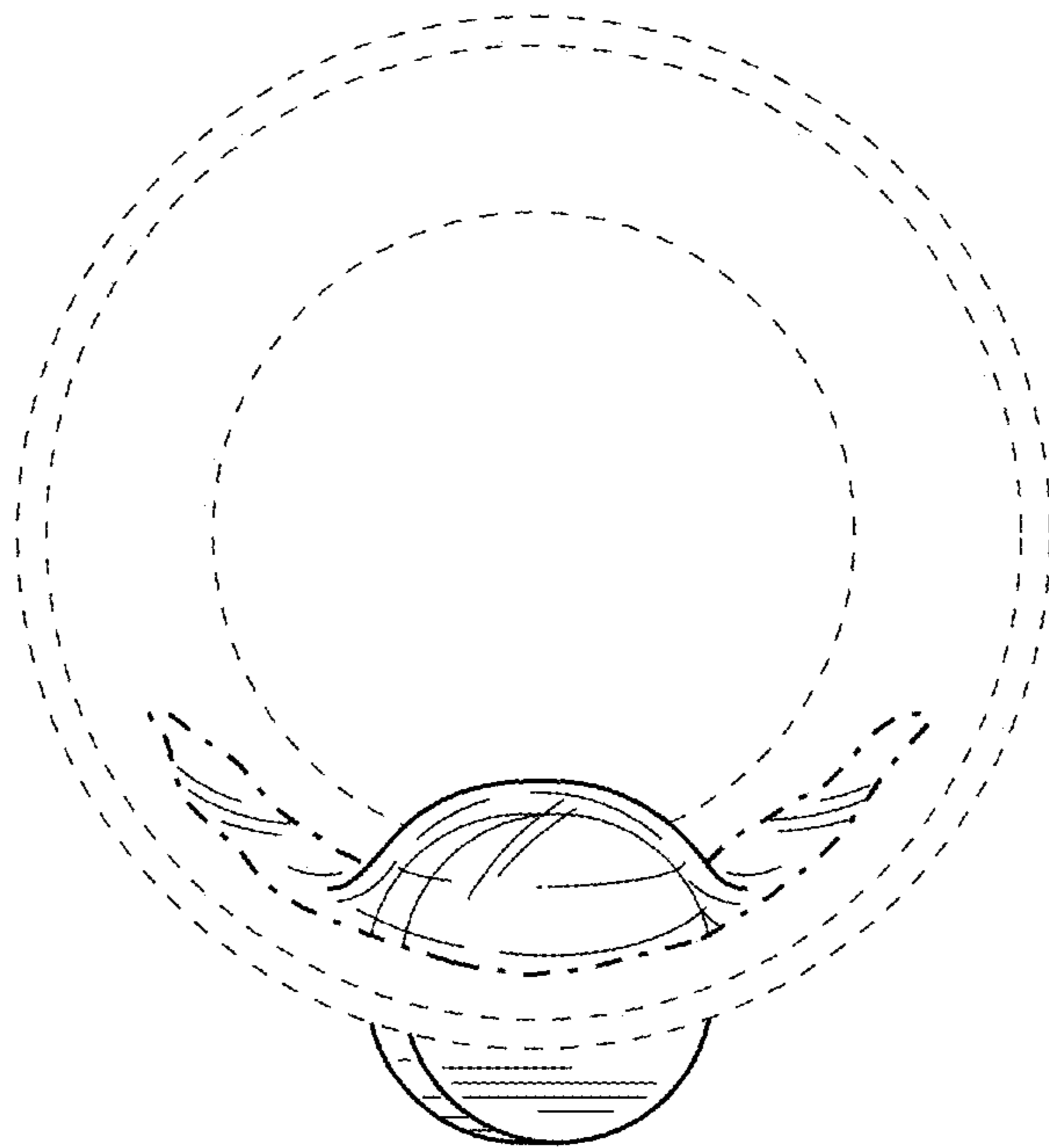


FIG. 5

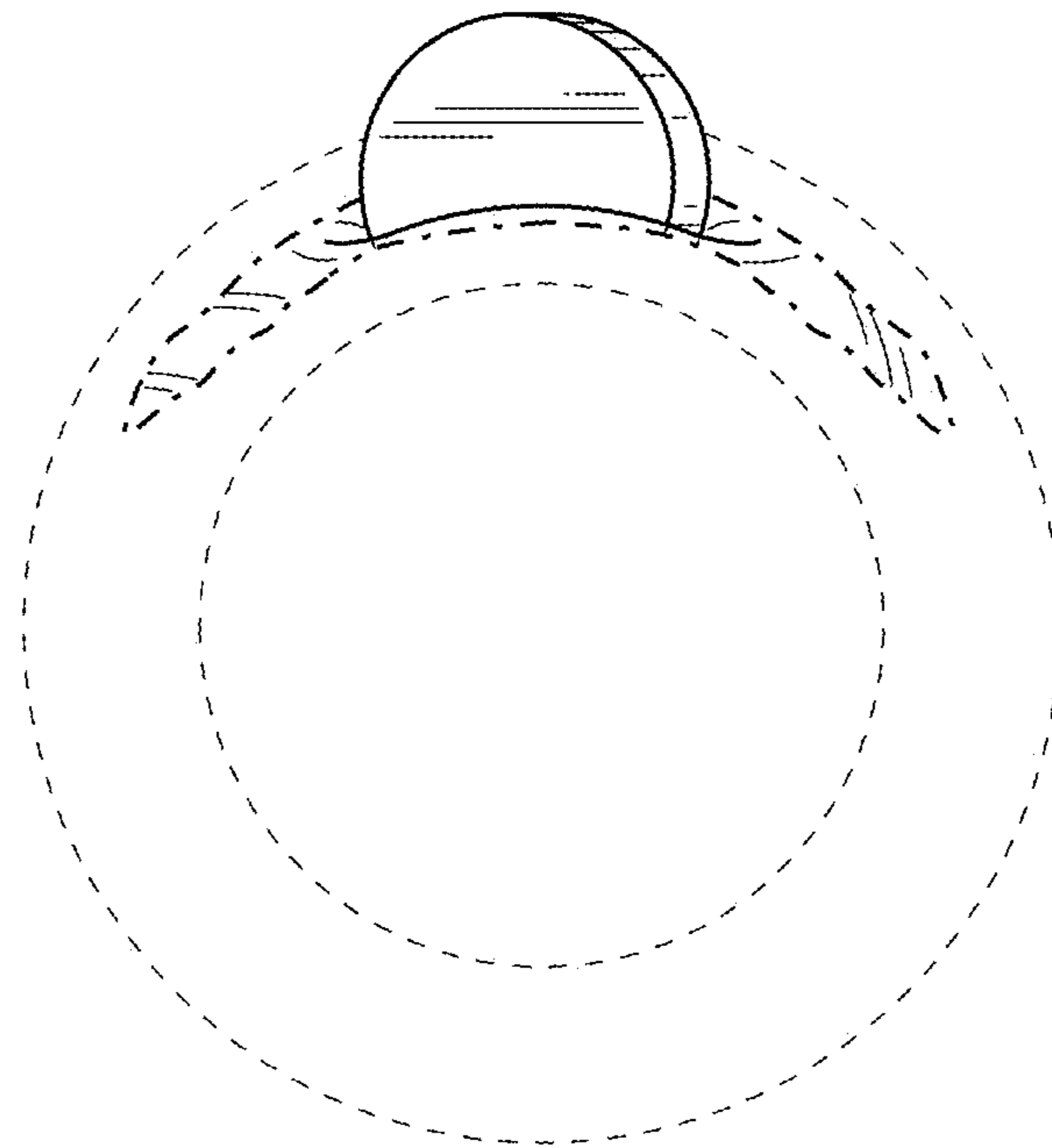


FIG. 6

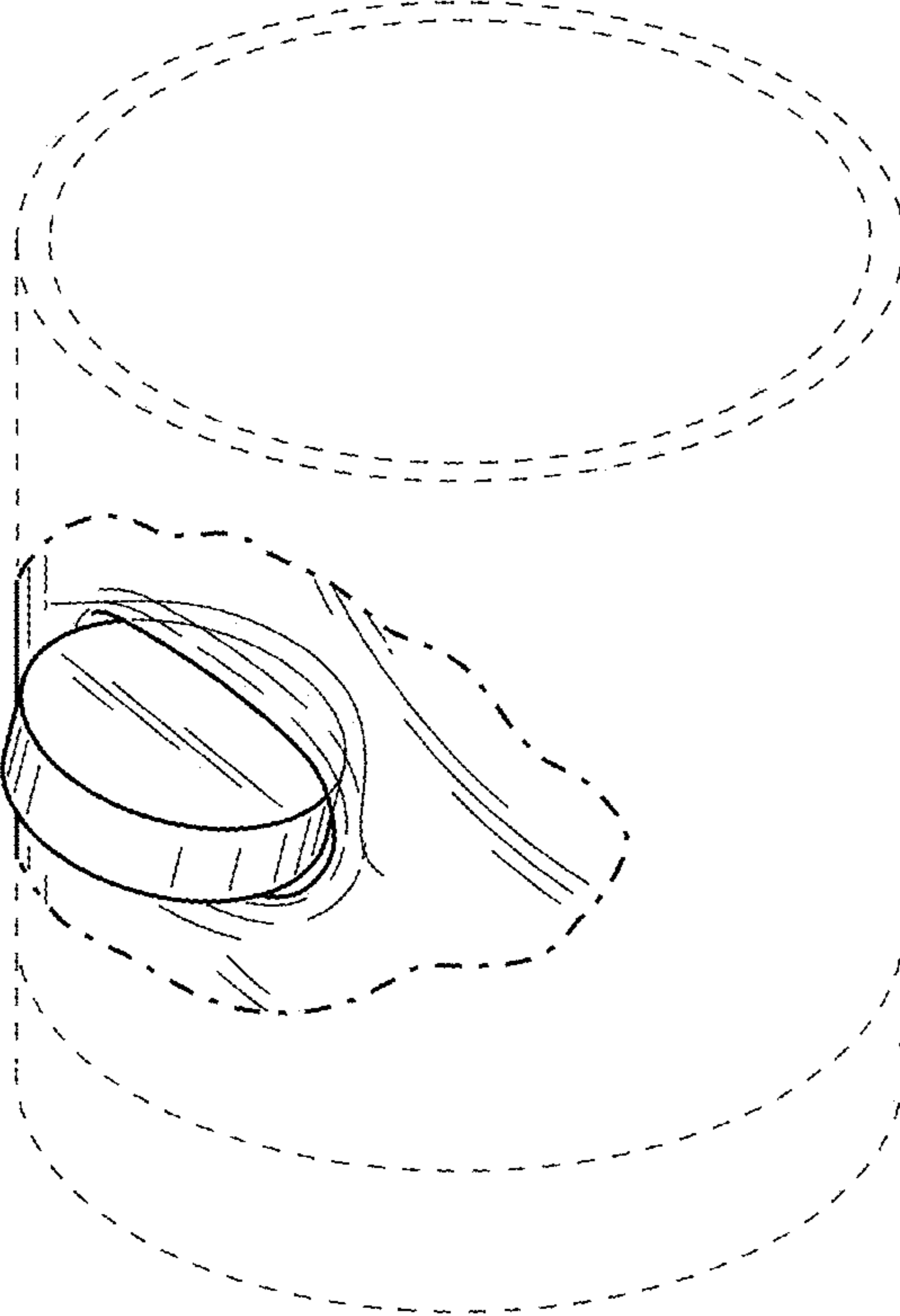


FIG. 7

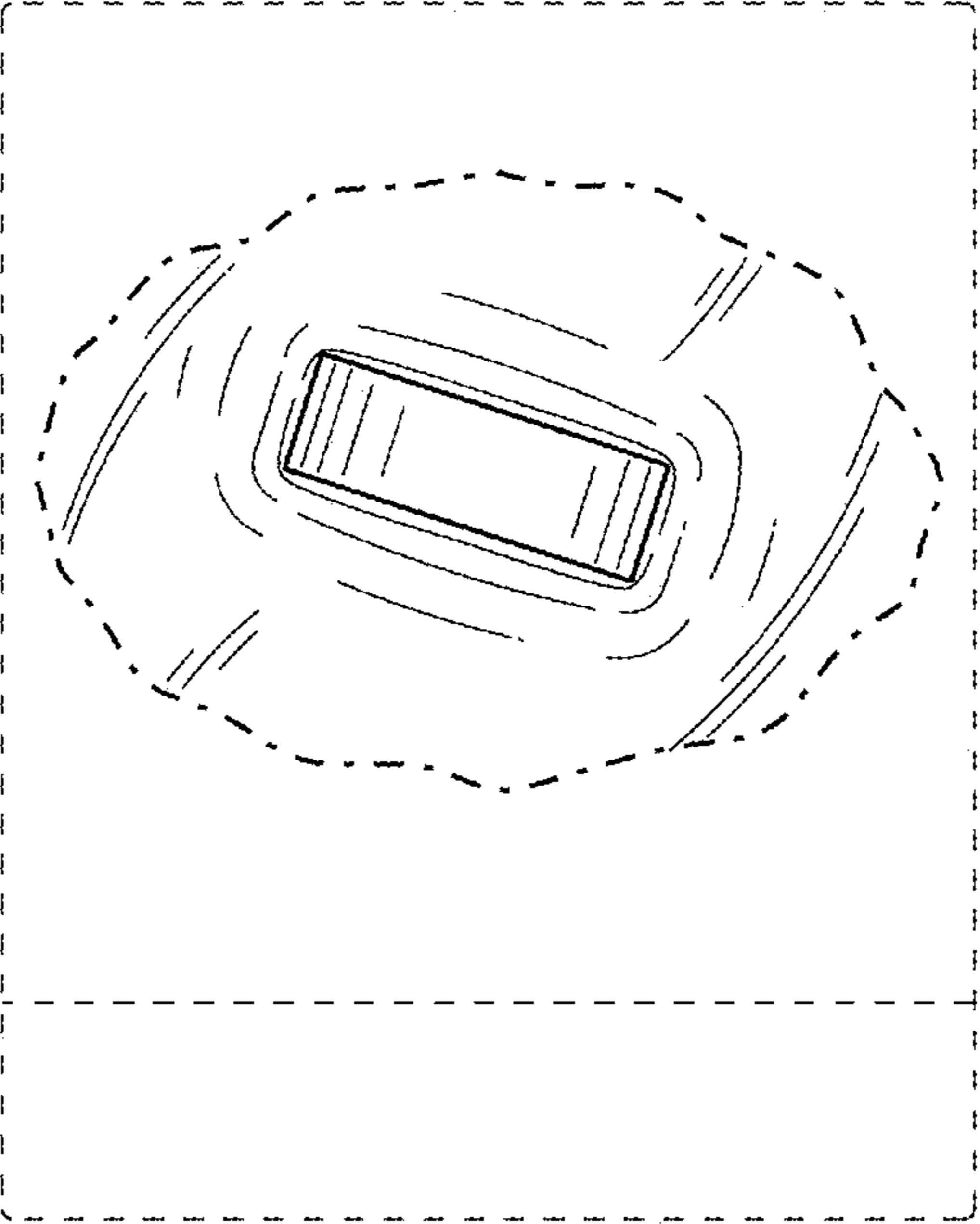


FIG. 8

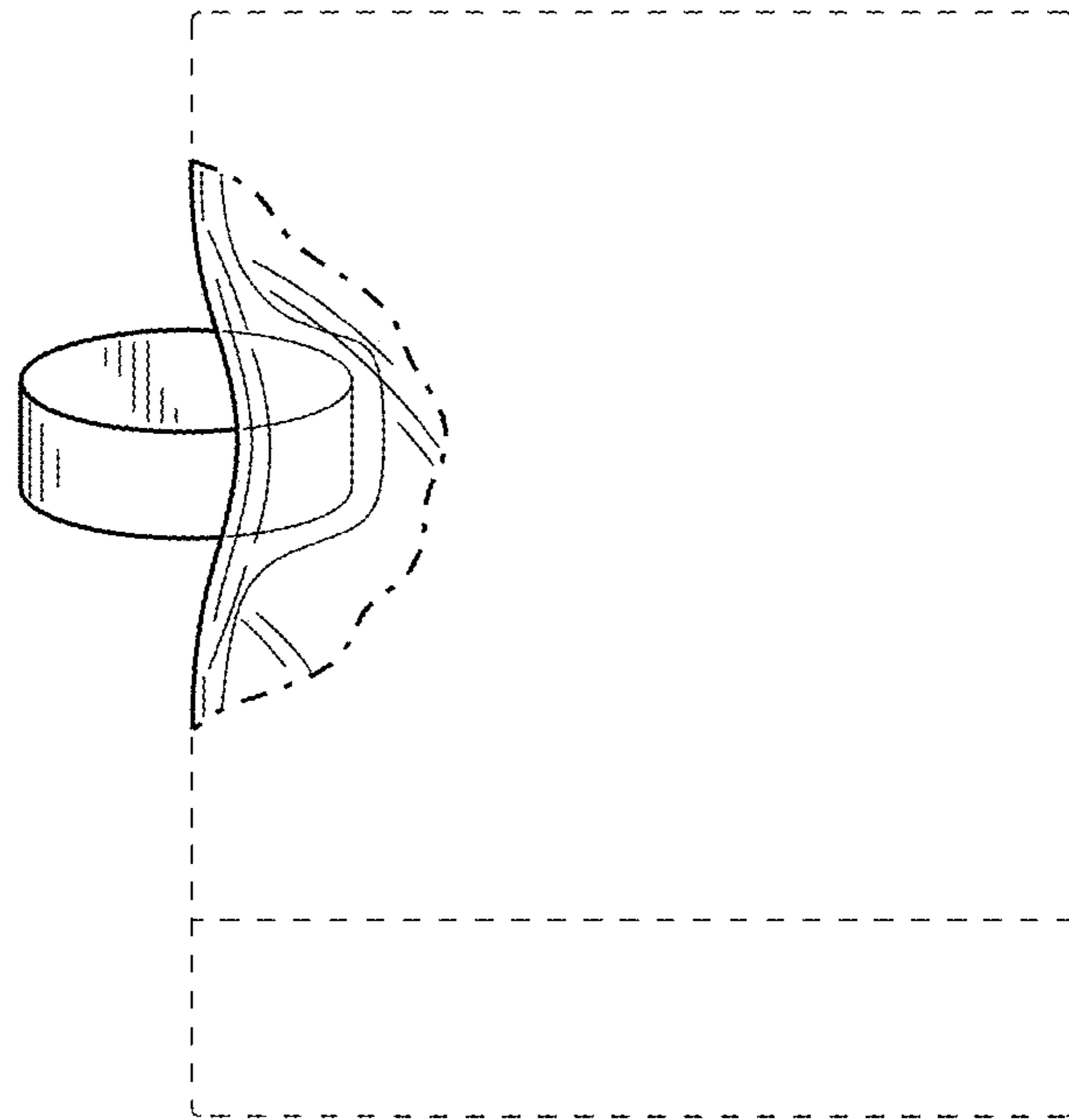


FIG. 9

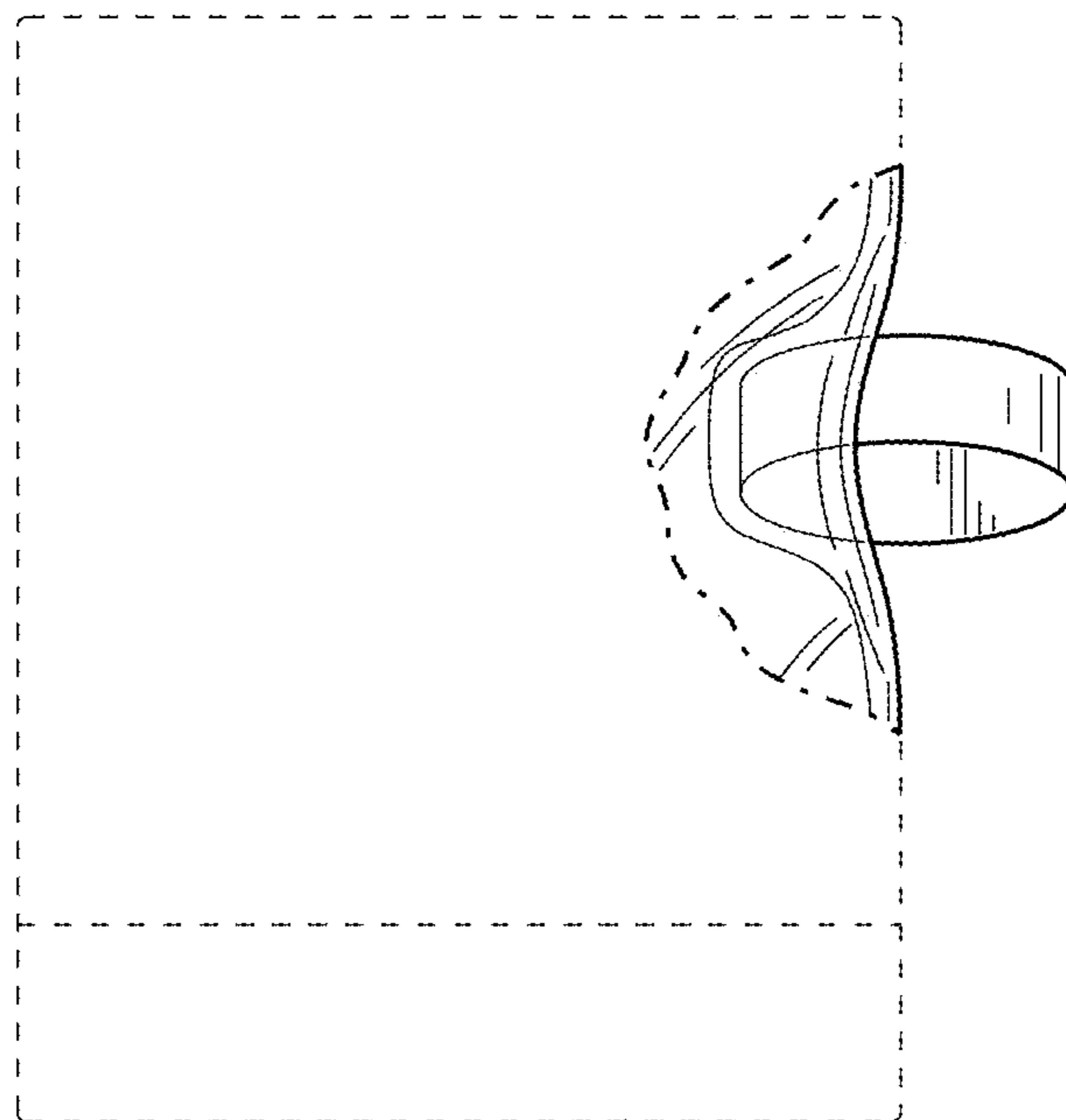


FIG. 10



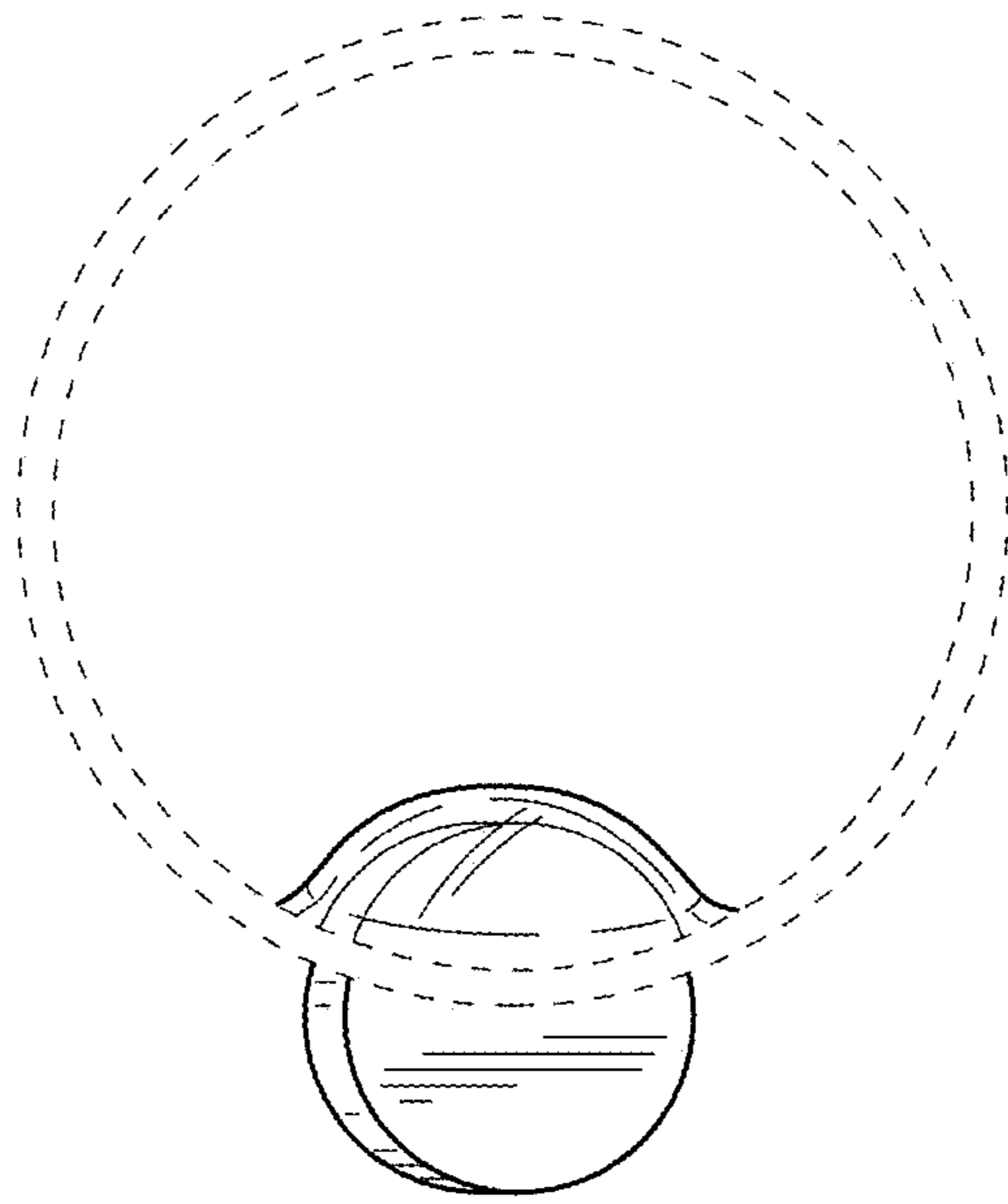


FIG. 11

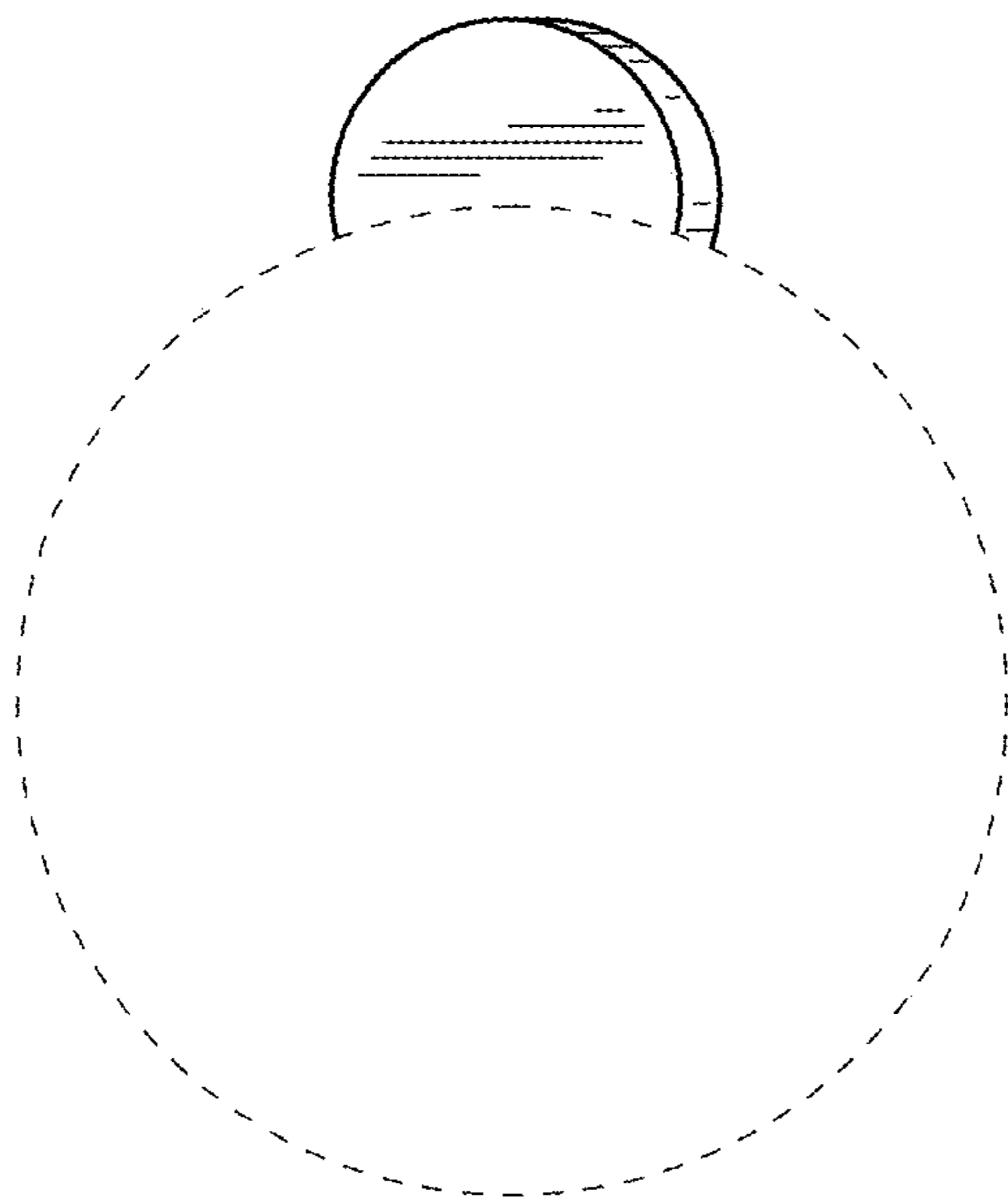


FIG. 12

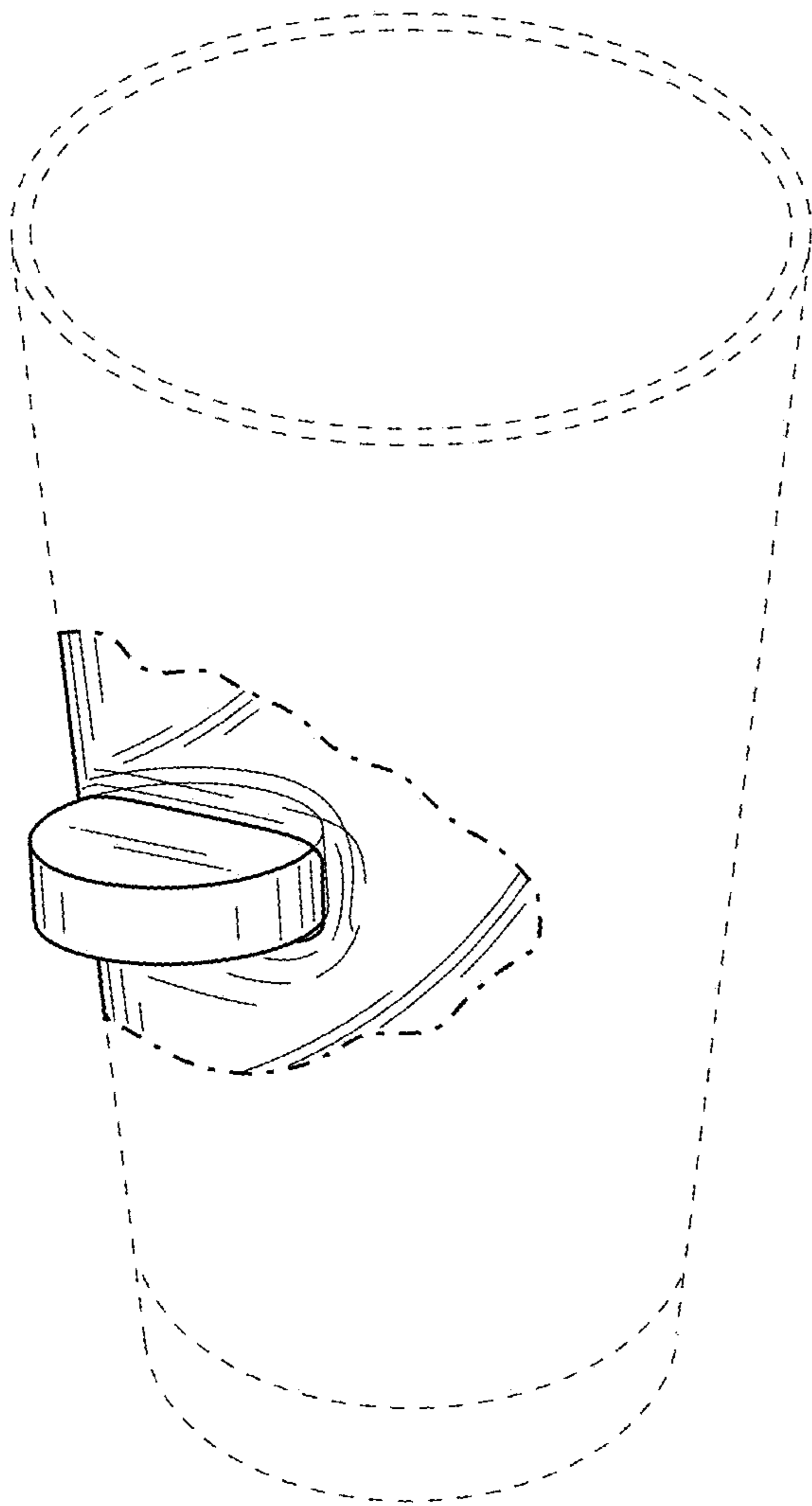


FIG. 13

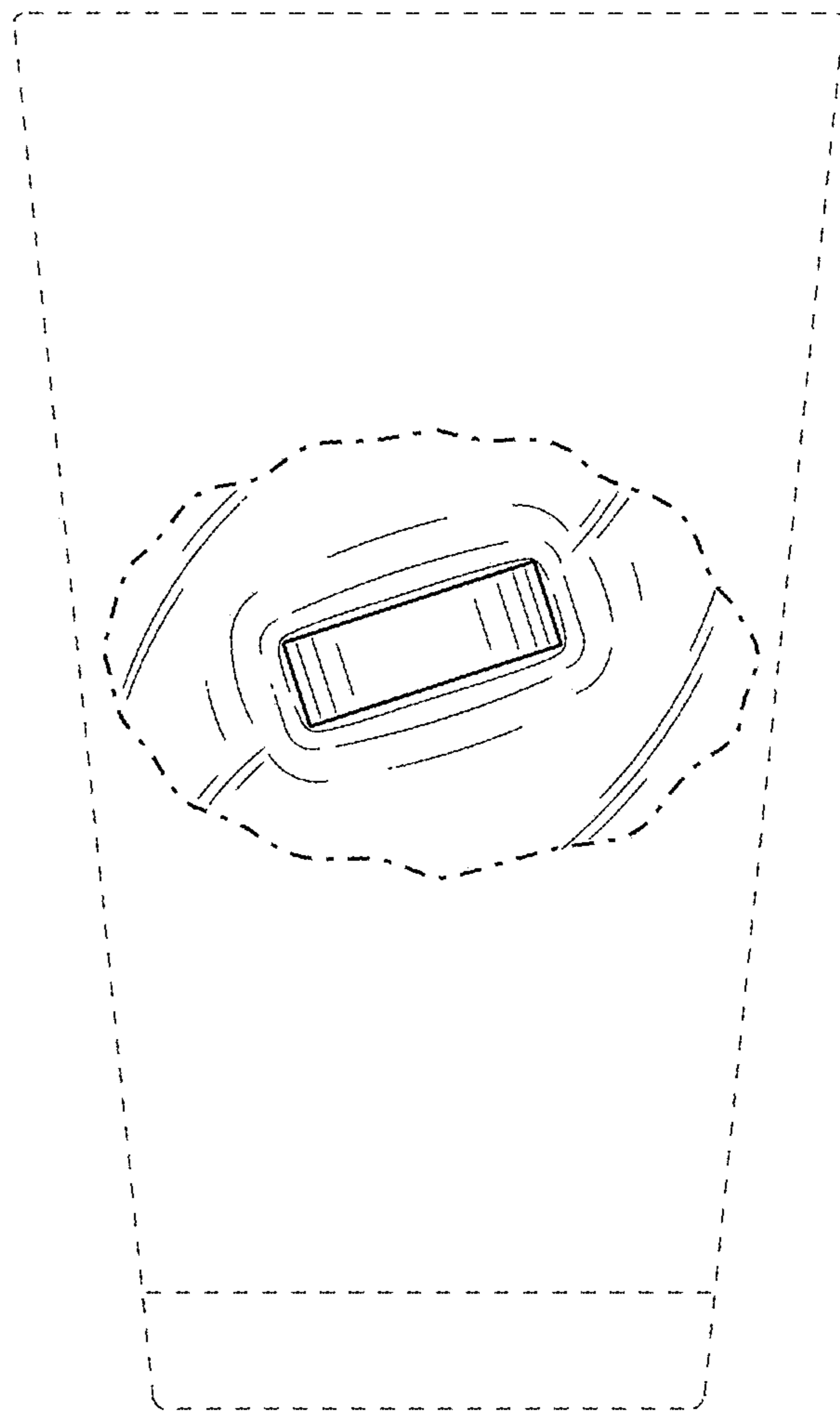


FIG. 14

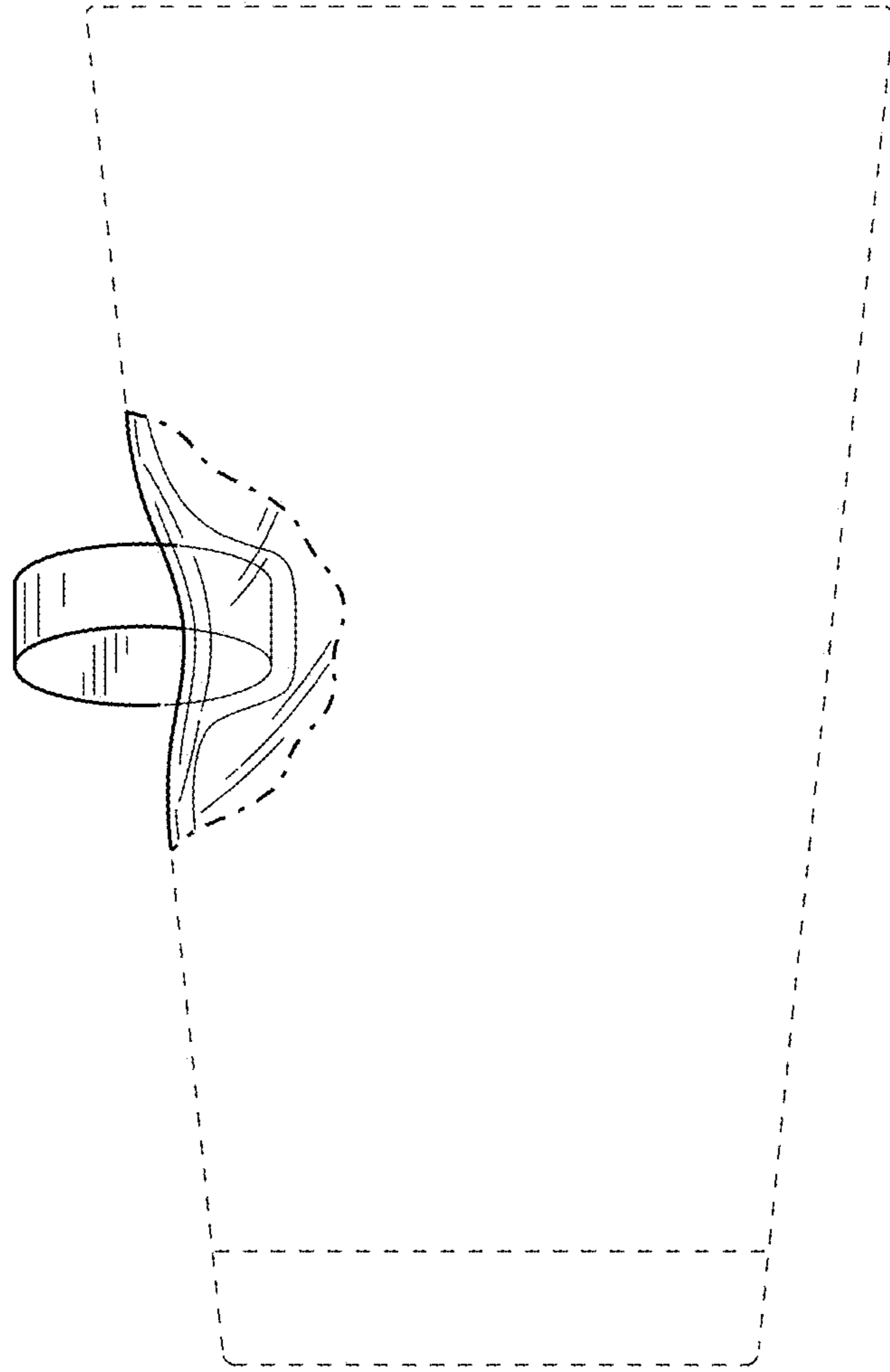


FIG. 15

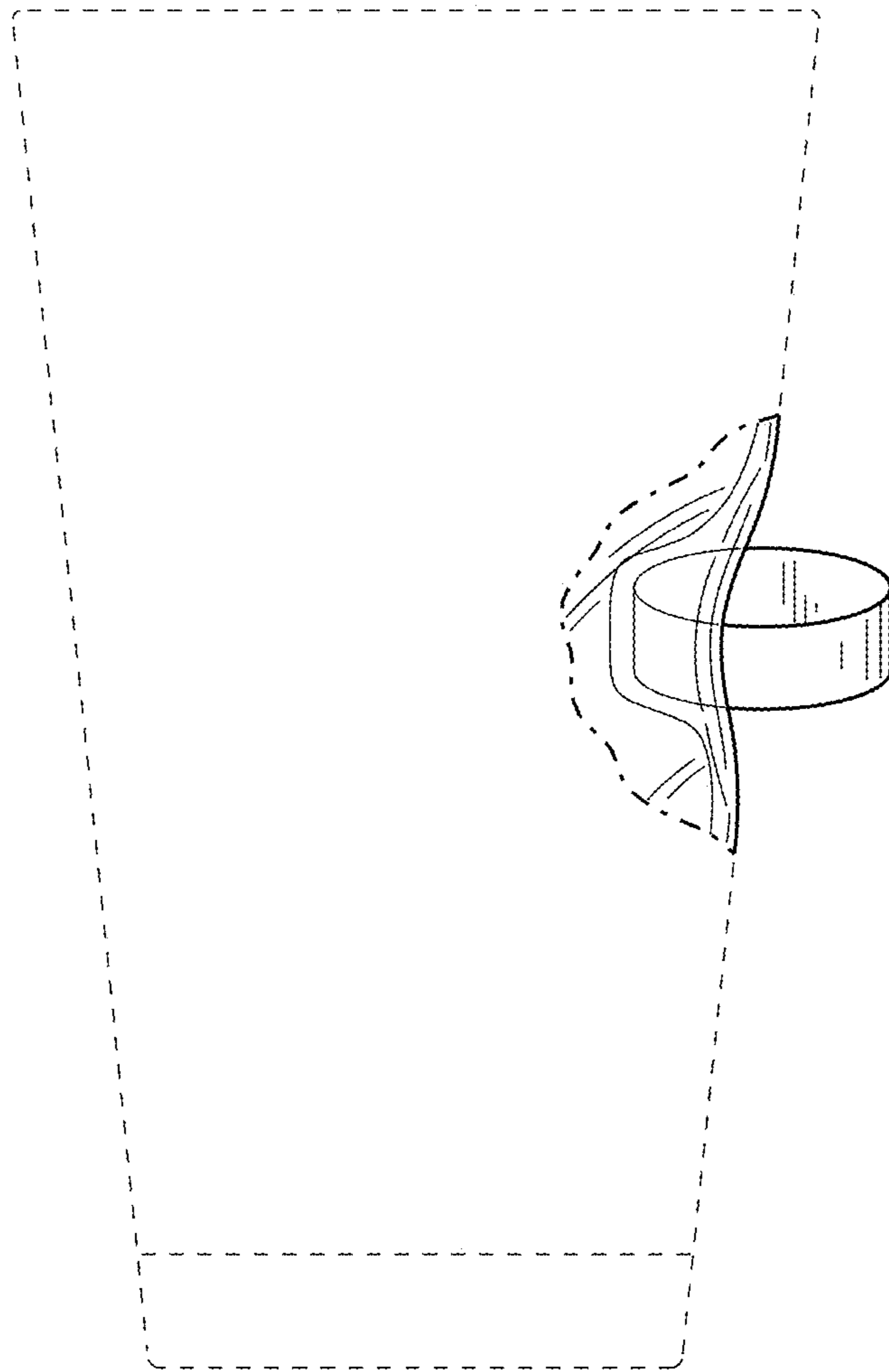


FIG. 16

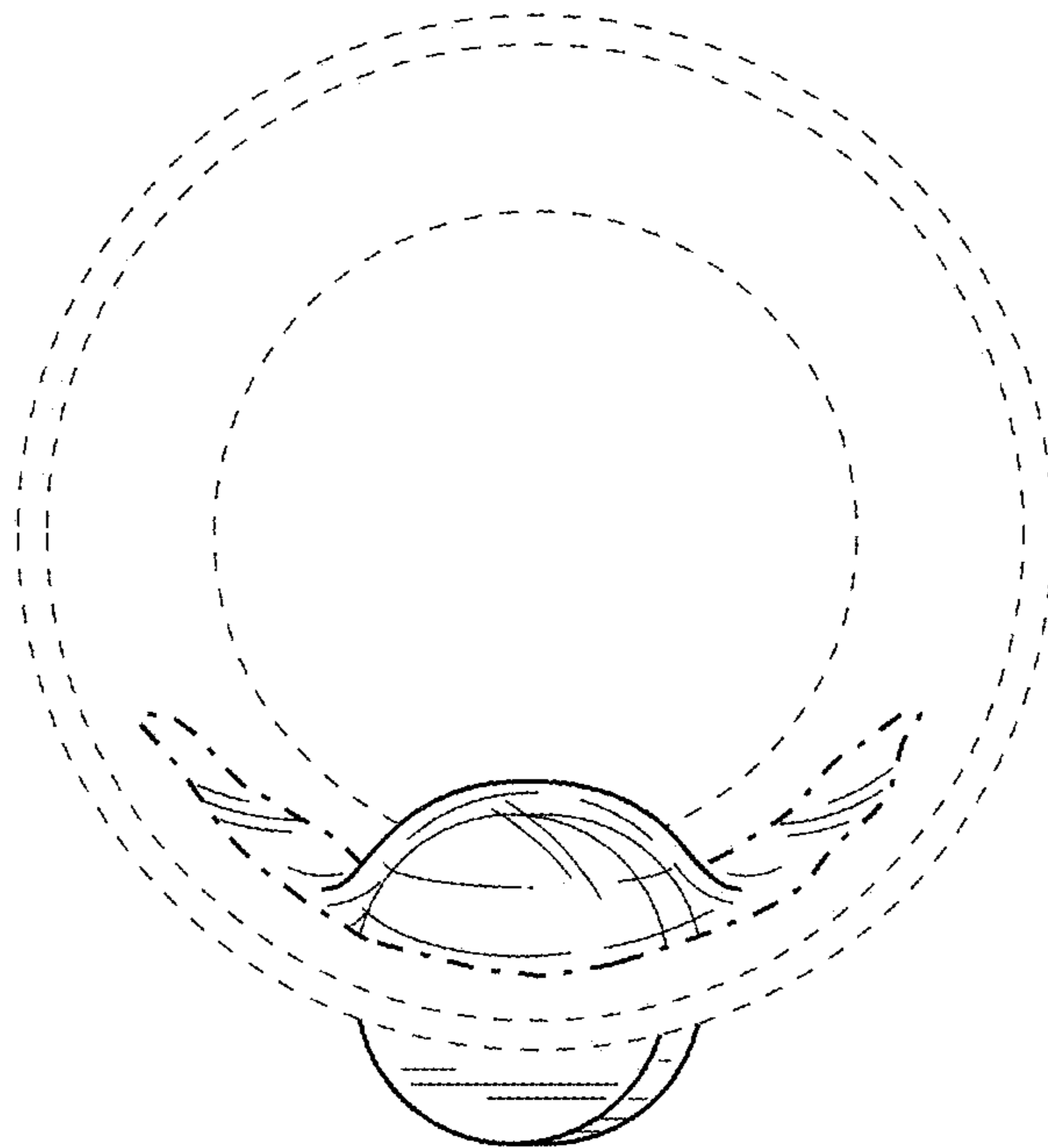


FIG. 17

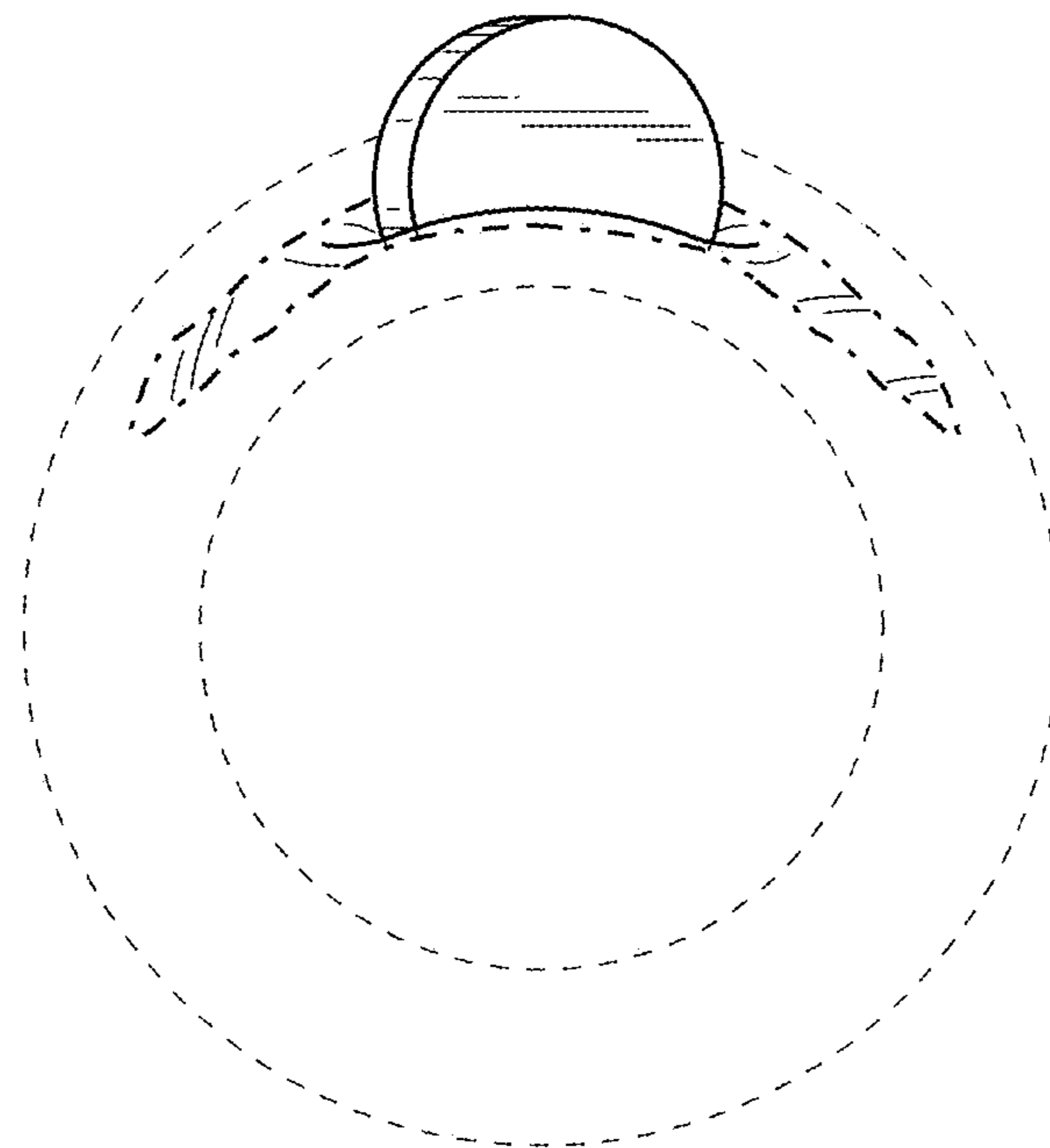


FIG. 18

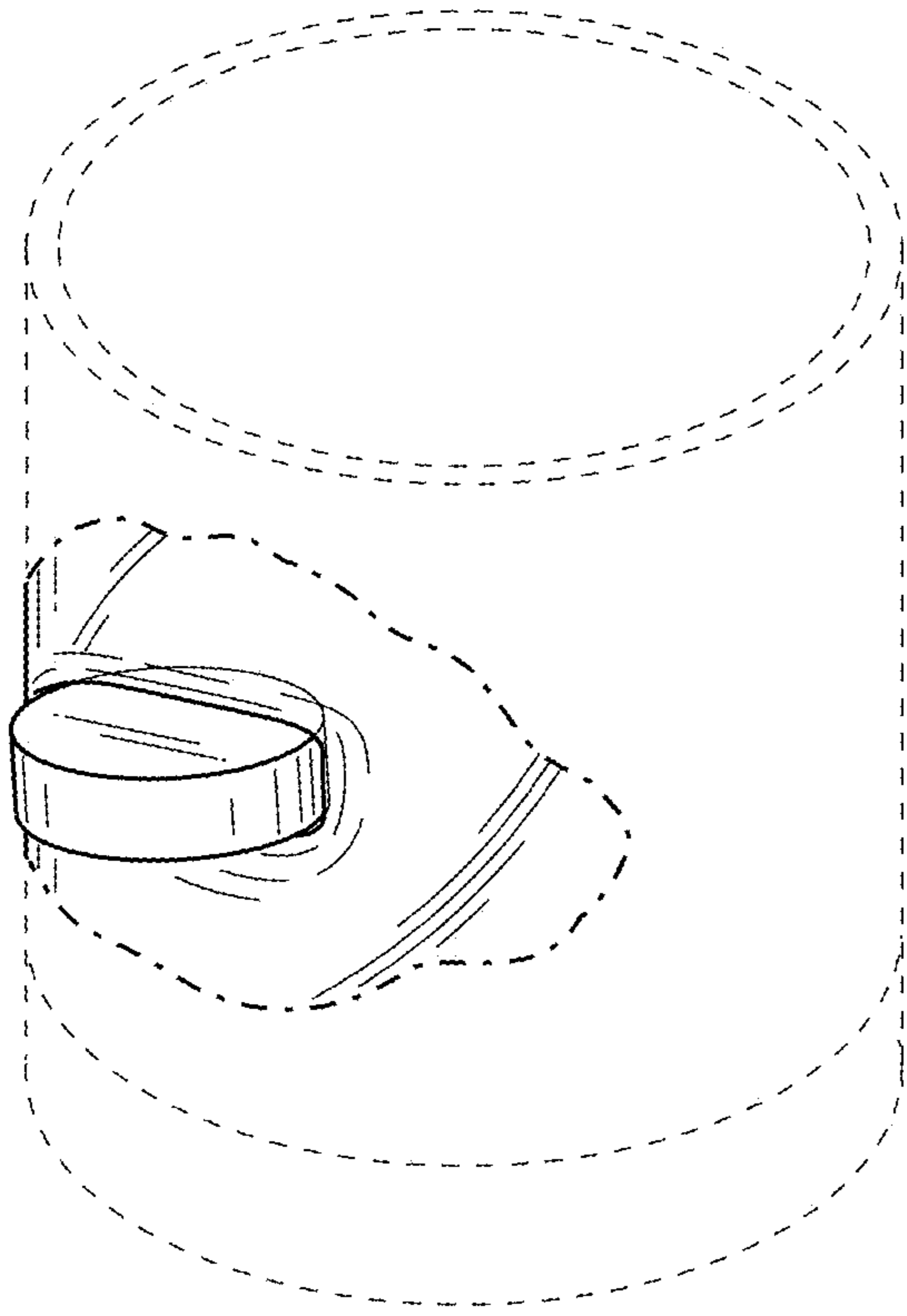


FIG. 19

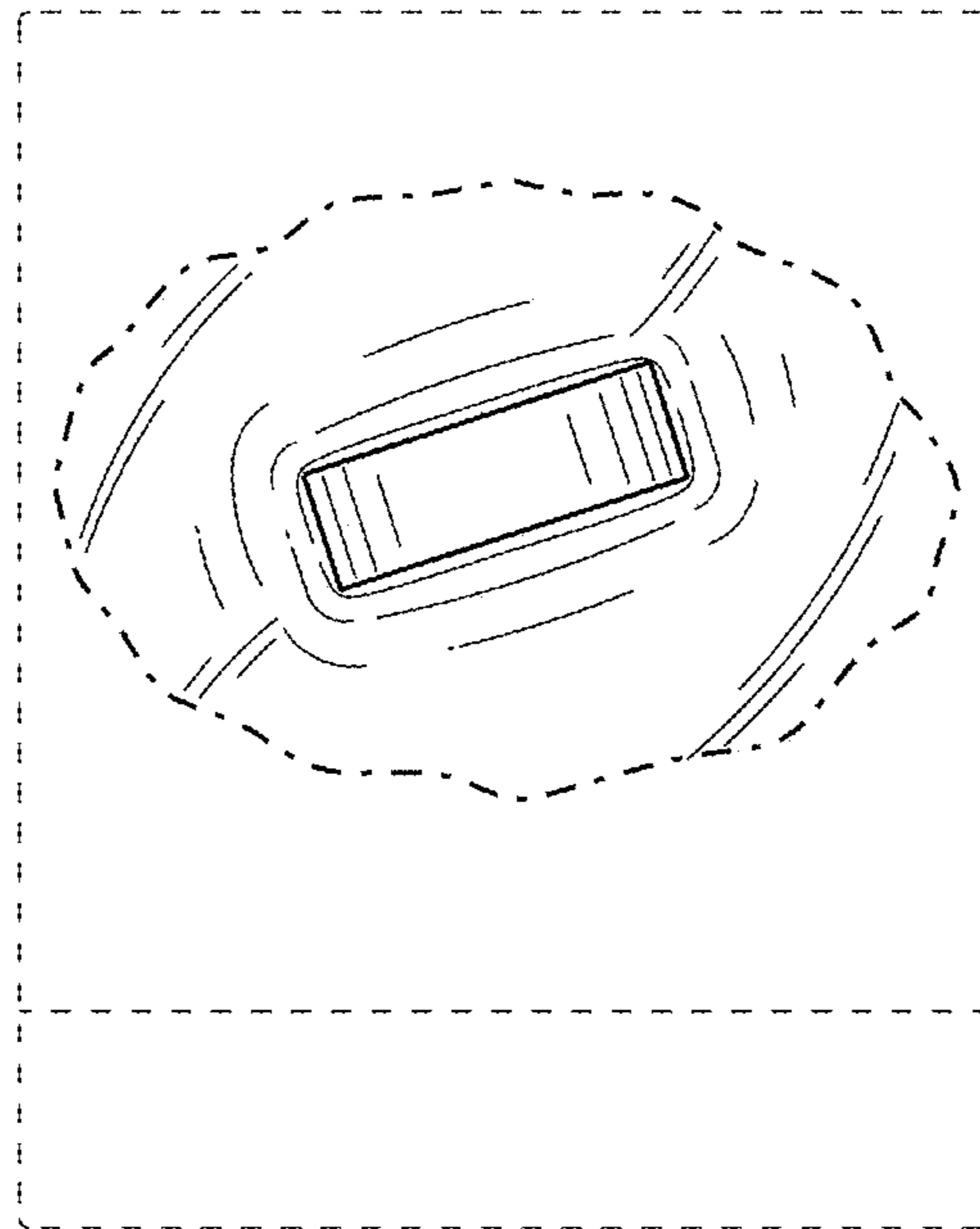


FIG. 20

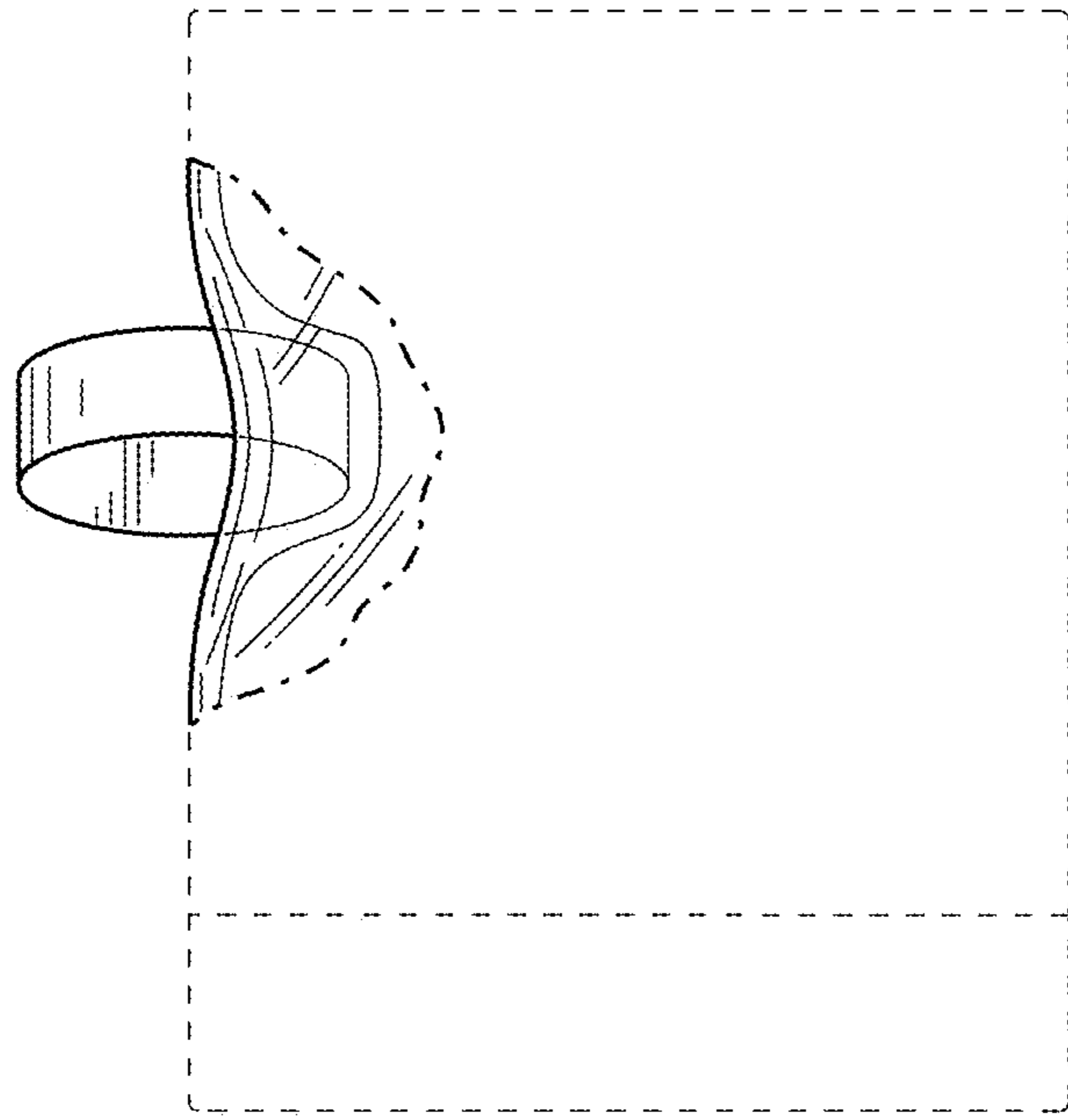


FIG. 21

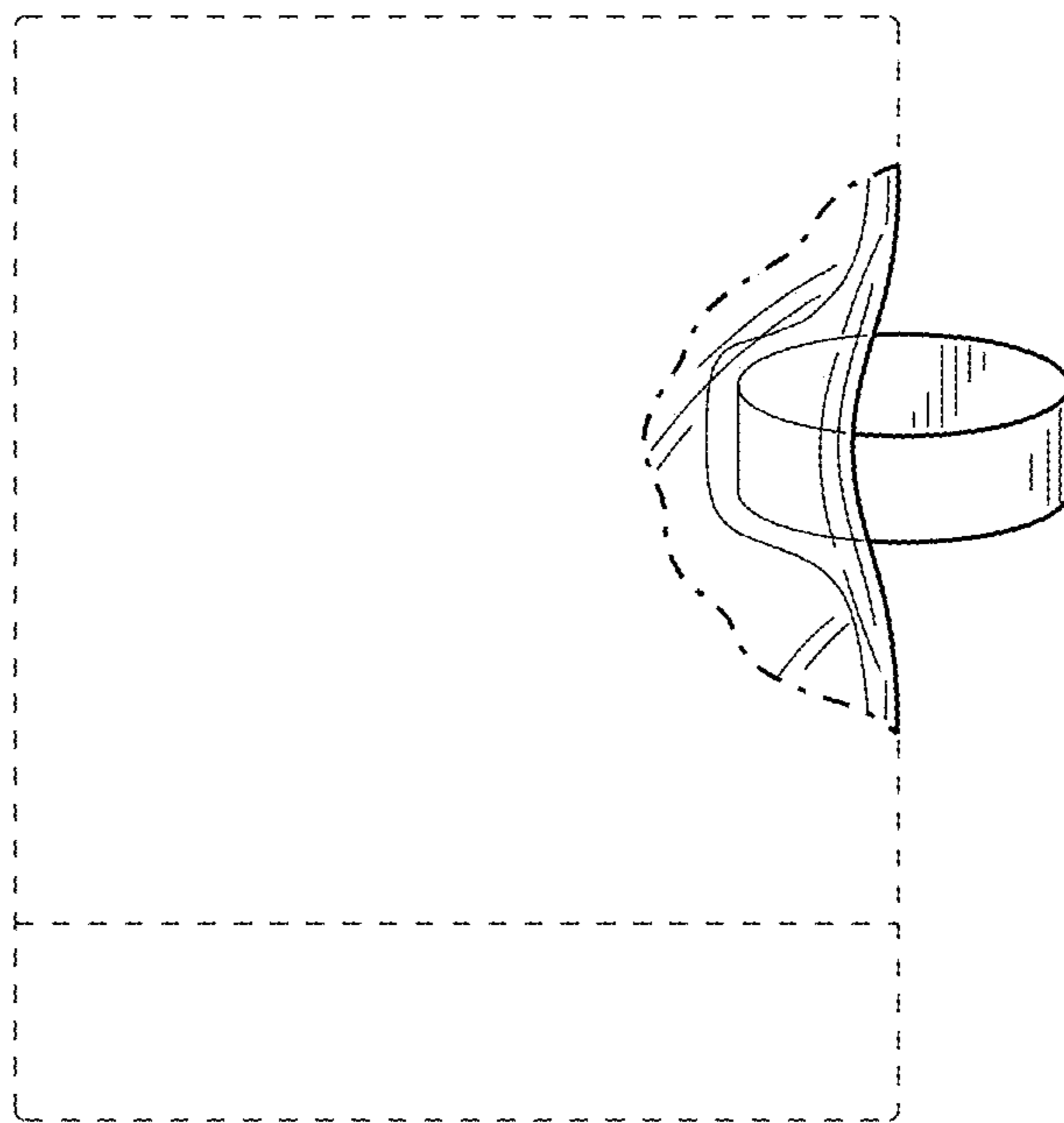


FIG. 22

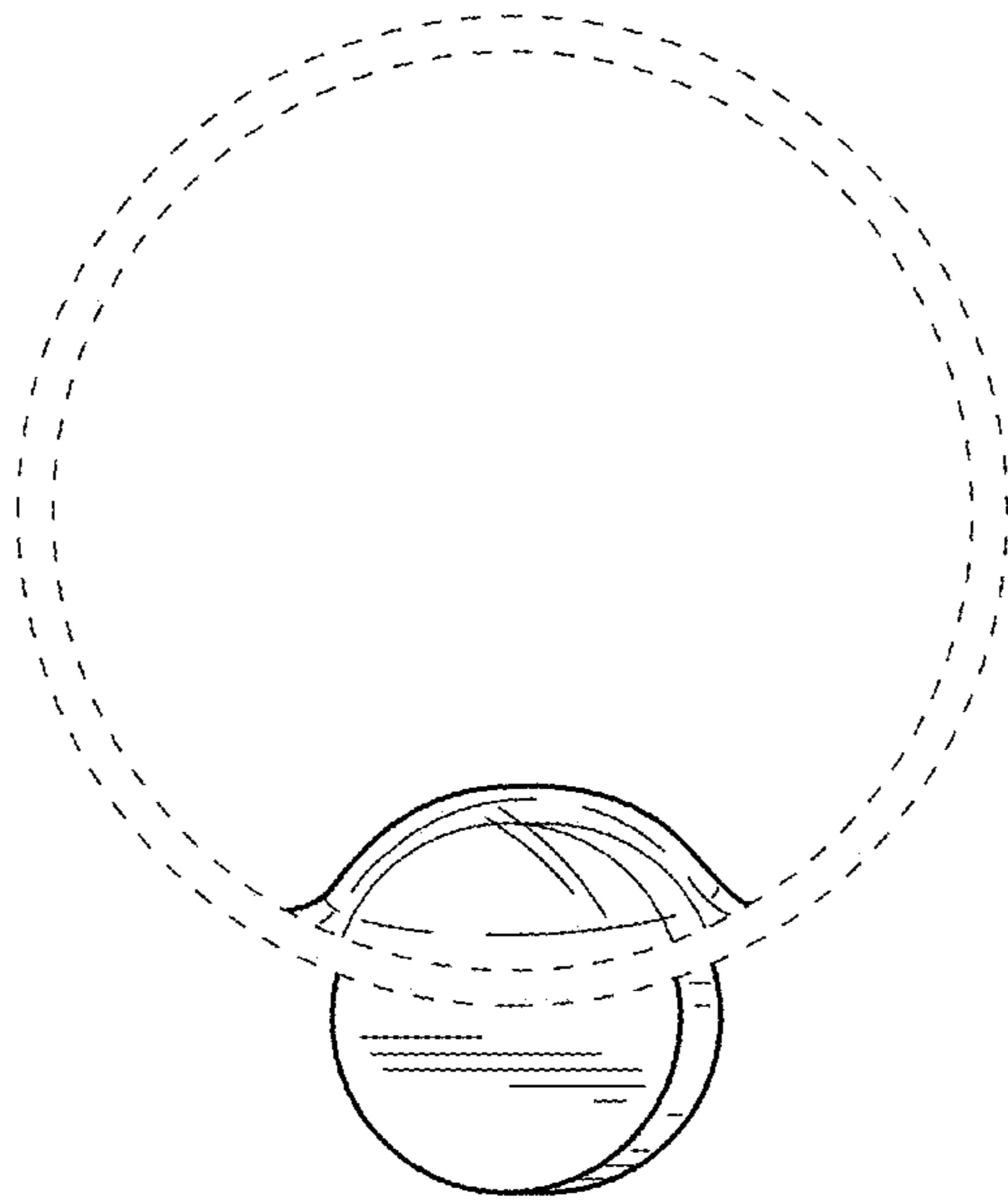


FIG. 23

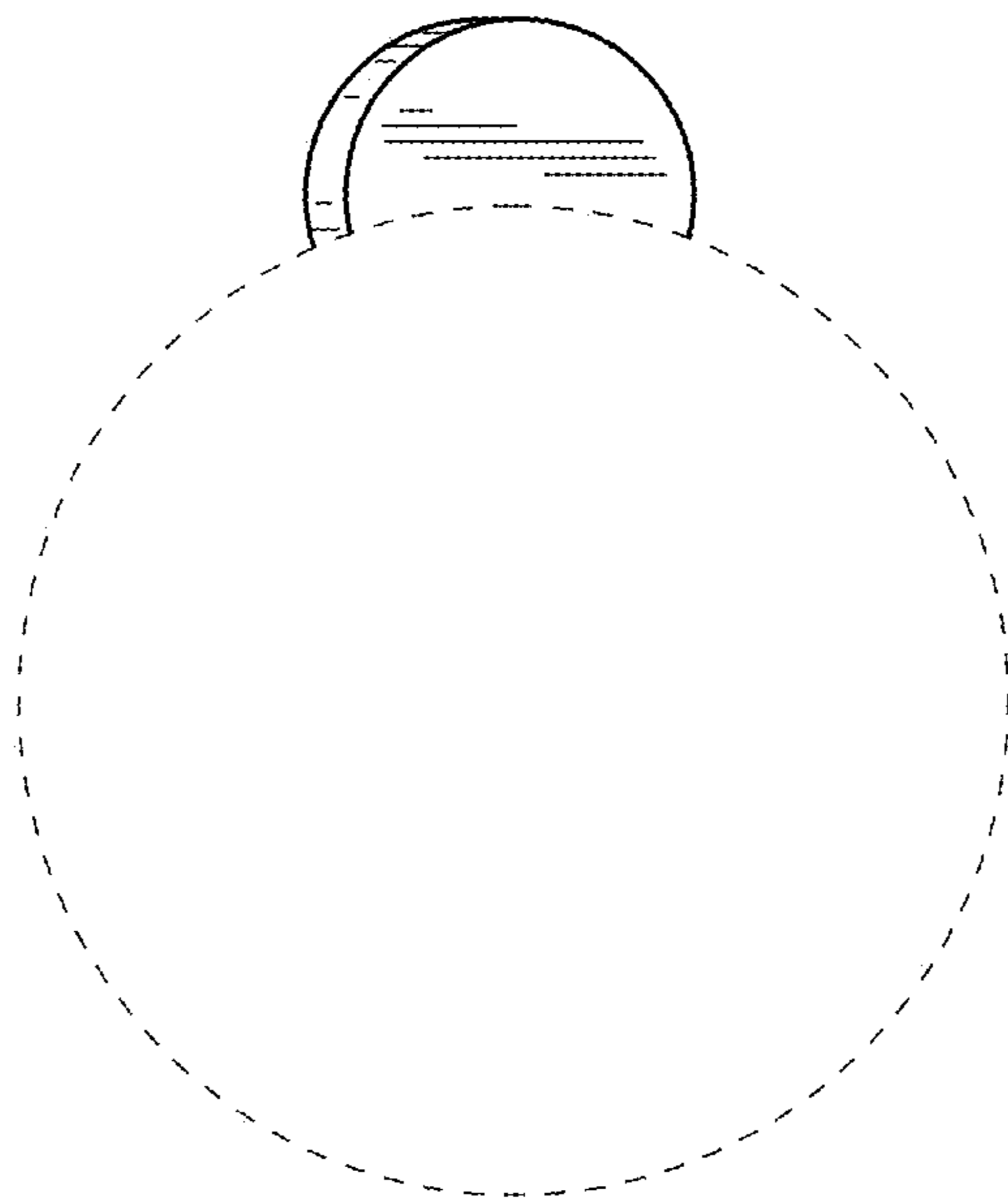


FIG. 24