



US00D932831S

(12) **United States Design Patent**
Wolfgram

(10) **Patent No.:** **US D932,831 S**
(45) **Date of Patent:** **** Oct. 12, 2021**

(54) **COMBINED DART DEVICE AND DRINKING VESSEL SURFACE**

(71) Applicant: **BenShot, LLC**, Hortonville, WI (US)
(72) Inventor: **Ben Wolfgram**, Appleton, WI (US)
(73) Assignee: **BenShot, LLC**, Appleton, WI (US)
(**) Term: **15 Years**

(21) Appl. No.: **29/709,466**

(22) Filed: **Oct. 15, 2019**

(51) **LOC (13) Cl.** **07-01**

(52) **U.S. Cl.**
USPC **D7/396.2; D7/507; D7/514; D7/515**

(58) **Field of Classification Search**

USPC ... D7/300–303, 387, 396.1, 396.2, 397, 500,
D7/502, 505–507, 509–523, 529–545,
D7/555–558, 560, 571–573, 577,
D7/598–599, 601–604, 611, 619.1, 619.2,
D7/701, 702, 900, 901; D1/106, 115;
D3/270, 271.8, 271.9; D6/580, 665;
D8/21, 26, 76, 378; D9/519, 529,
D9/544–545, 549, 553, 558, 572, 600,
D9/642–645, 649, 651, 655, 658, 668,
D9/679–680; D11/44, 48, 62–63, 67–68,
D11/86, 89–90, 131, 200, 204, 217, 223,
D11/225, 238; D21/301, 312–315,
D21/386–387, 710, 725, 727, 780;
D22/112–114, 144; D27/118–120, 148,
D27/151, 165, 188; D99/5
CPC .. A45F 3/16; A45F 3/20; A47G 19/22; A47G
19/2205; A47G 19/26; A47G 2019/2277;
A47G 21/18; A63B 59/50; B65D 1/00;
B65D 1/02; B65D 1/32; B65D 11/00;
B65D

(Continued)

(56) **References Cited**

U.S. PATENT DOCUMENTS

D437,620 S * 2/2001 Smith D21/387
D663,589 S * 7/2012 Pascot D7/509

(Continued)

OTHER PUBLICATIONS

BenShot Rocks Glass with Dart, GLD Products, [online], [site visited Jul. 26, 2021], Available from internet URL: <https://gldproducts.com/collections/benshot-glassware/products/33-0051> (Year: 2021).*

(Continued)

Primary Examiner — Mary Ann Calabrese
Assistant Examiner — Natalya M Rapundalo

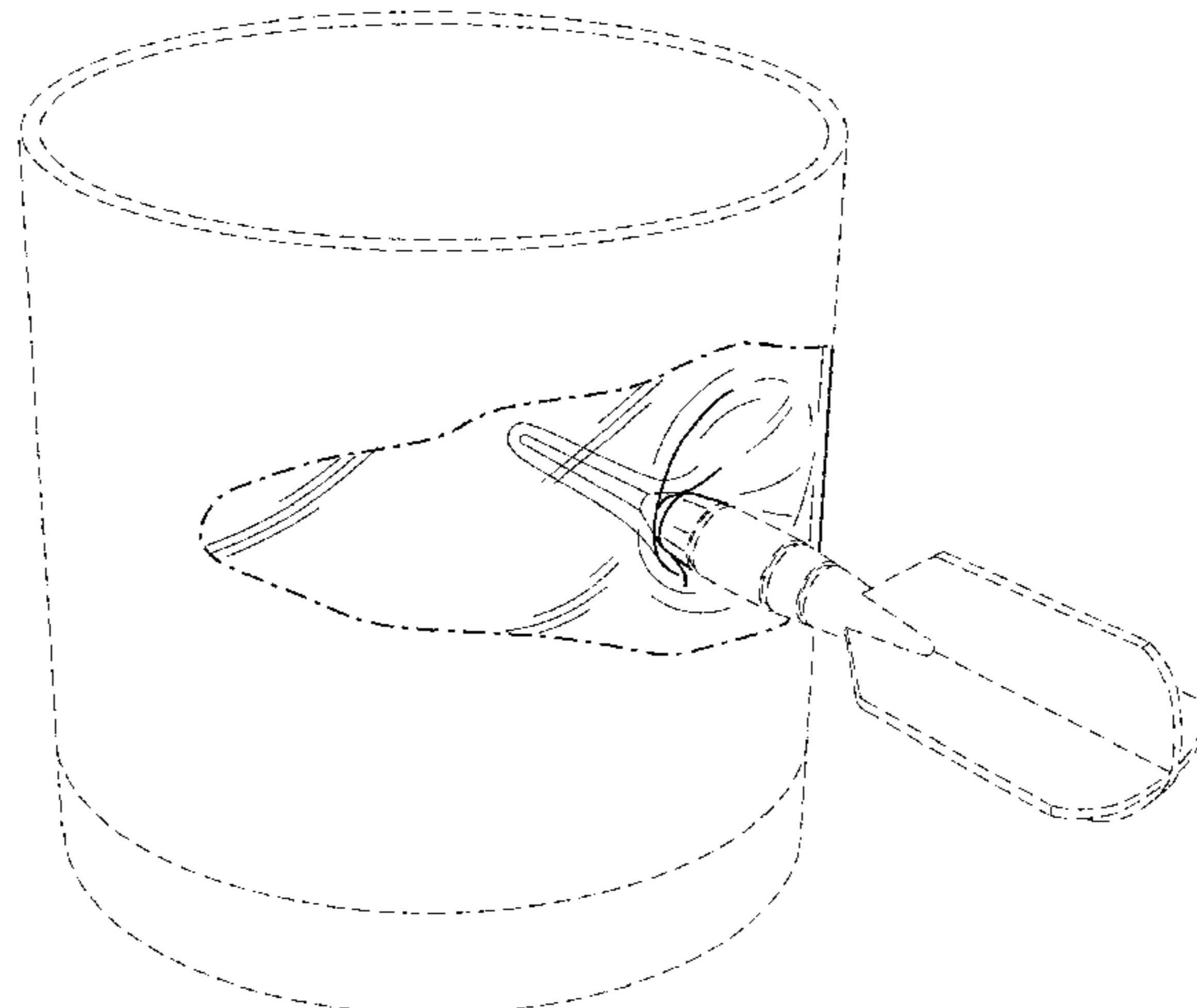
(57) **CLAIM**

The ornamental design for a combined dart device and drinking vessel surface, as shown and described.

DESCRIPTION

FIG. 1 is a front perspective view showing the combined dart device and drinking vessel surface embodying the new design;
FIG. 2 is a front elevation view thereof;
FIG. 3 is a left side elevation view thereof;
FIG. 4 is a right side elevation view thereof;
FIG. 5 is a top plan view thereof;
FIG. 6 is a bottom plan view thereof;
FIG. 7 is a front perspective view showing a second embodiment of the combined dart device and drinking vessel surface;
FIG. 8 is a front elevation view thereof;
FIG. 9 is a right side elevation view thereof;
FIG. 10 is a left side elevation view thereof;
FIG. 11 is a top plan view thereof; and,
FIG. 12 is a bottom plan view thereof.
The broken lines in the drawing views depict environment that forms no part of the claimed design. The dot dash broken lines illustrate a boundary that forms no part of the claimed design.

1 Claim, 10 Drawing Sheets



(58) **Field of Classification Search**

CPC 11/02; B65D 11/10; B65D 11/14; B65D
11/16; B65D 11/18; B65D 11/20; B65D
15/00; B65D 15/02; B65D 15/22; B65D
15/24

See application file for complete search history.

(56) **References Cited**

U.S. PATENT DOCUMENTS

D724,898 S * 3/2015 Willat D7/523
D850,210 S * 6/2019 Wolfgram D7/515
D857,450 S * 8/2019 Wolfgram D7/396.2
D859,082 S * 9/2019 Wolfgram D7/515
D875,474 S * 2/2020 Deutsch D7/529
D883,031 S * 5/2020 Wolfgram D7/515
D895,364 S * 9/2020 Wolfgram D7/515
D896,316 S * 9/2020 Johnson D21/387
D896,576 S * 9/2020 Wolfgram D7/396.2
D897,751 S * 10/2020 Wolfgram D7/300.1

OTHER PUBLICATIONS

The Hole in One Whiskey Glass, Stuck In Glass, [online], [site visited Jul. 26, 2021], Available from internet URL: <https://stuckinglass.com/collections/stuck-in-glass/products/the-birdie-maker> (Year: 2021).*

* cited by examiner

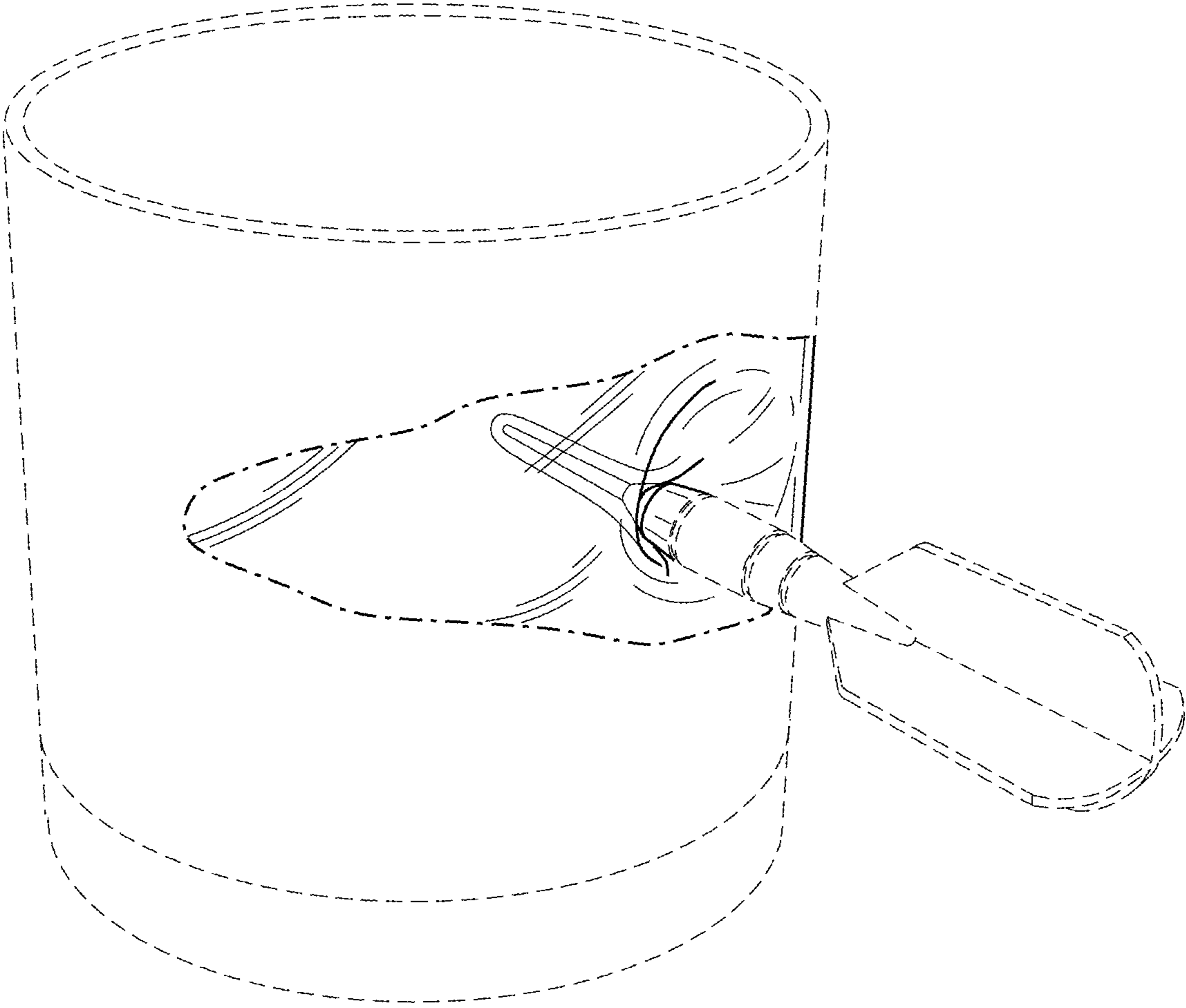


FIG. 1

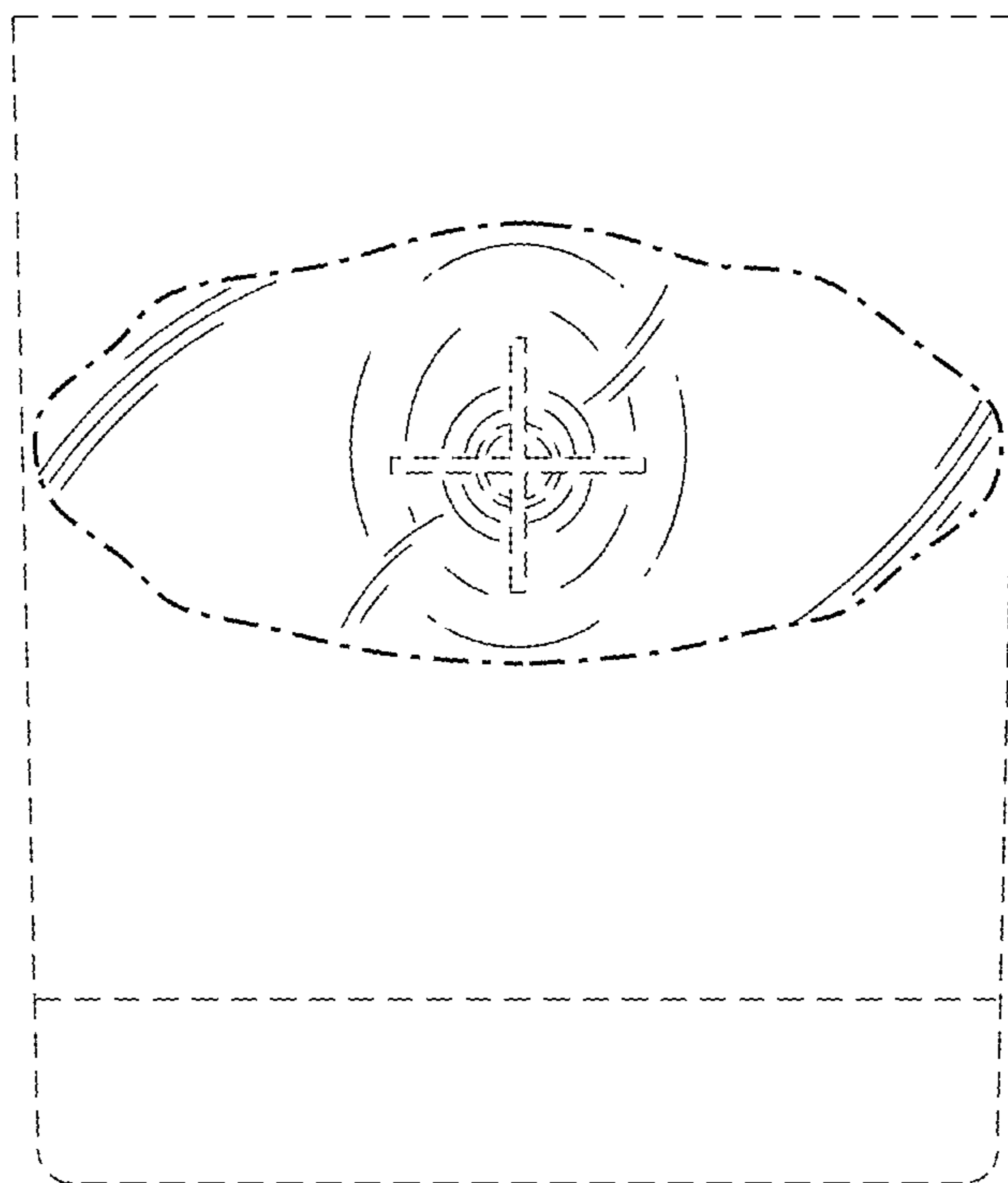


FIG. 2

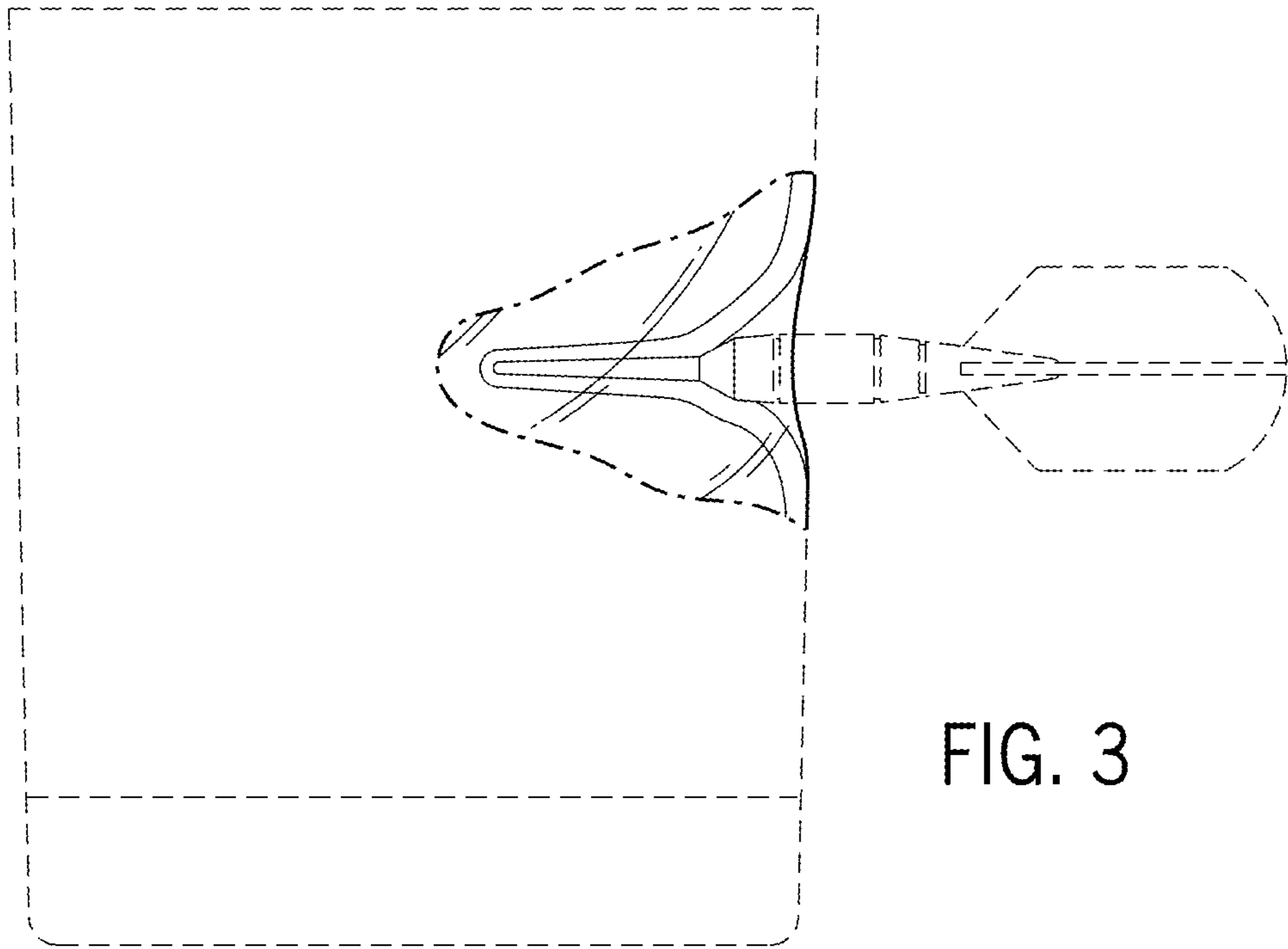


FIG. 3

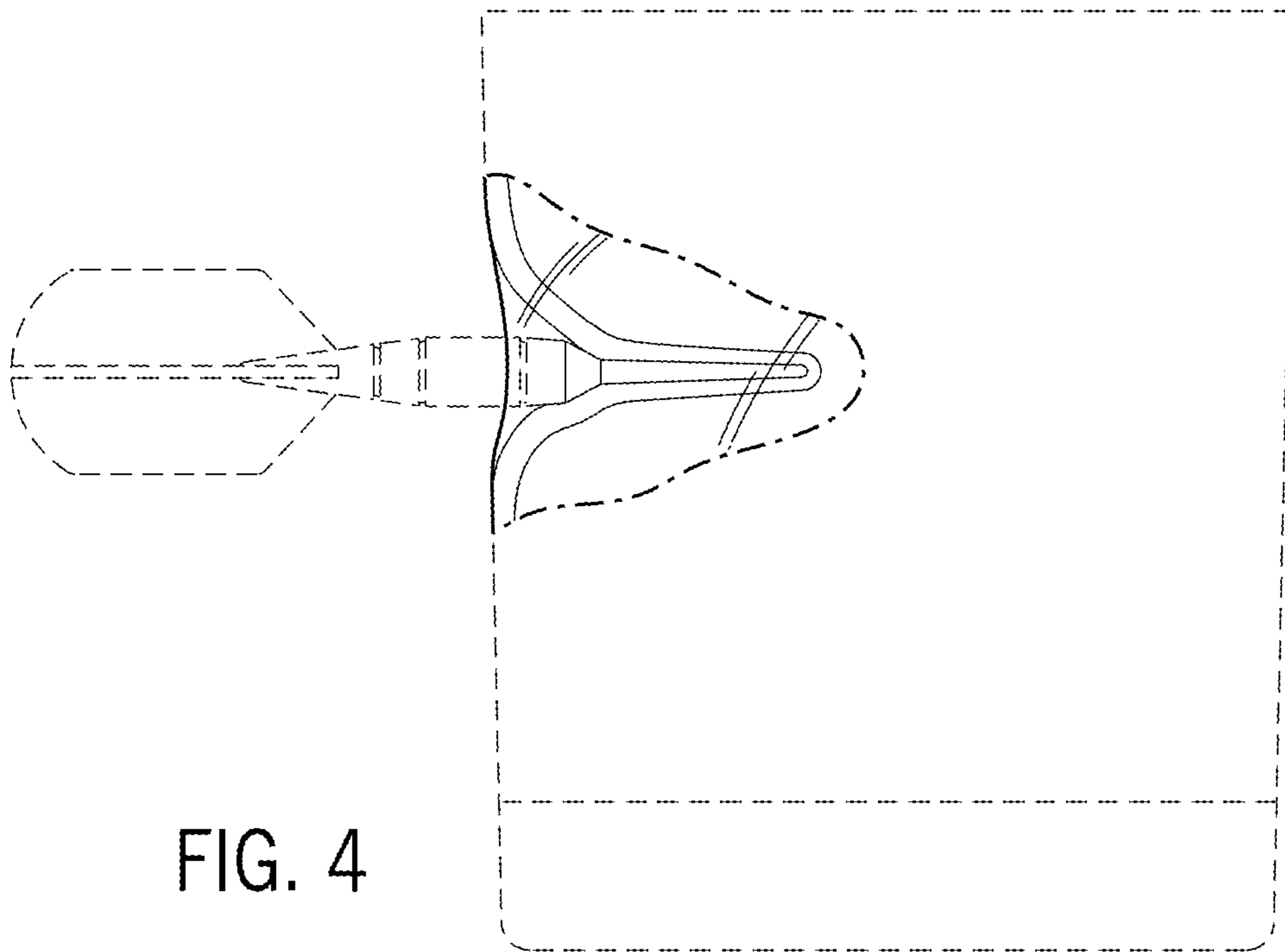


FIG. 4

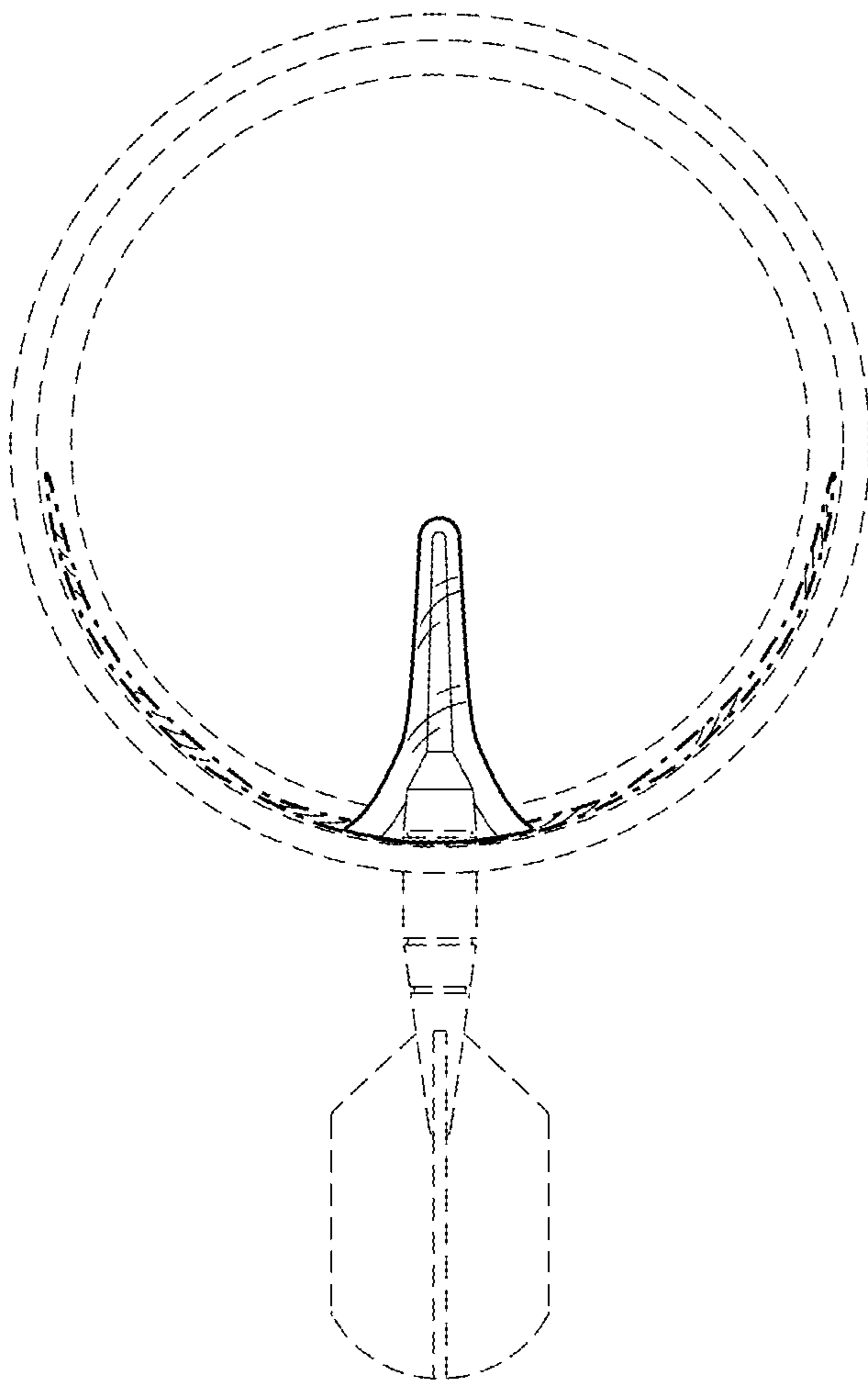


FIG. 5

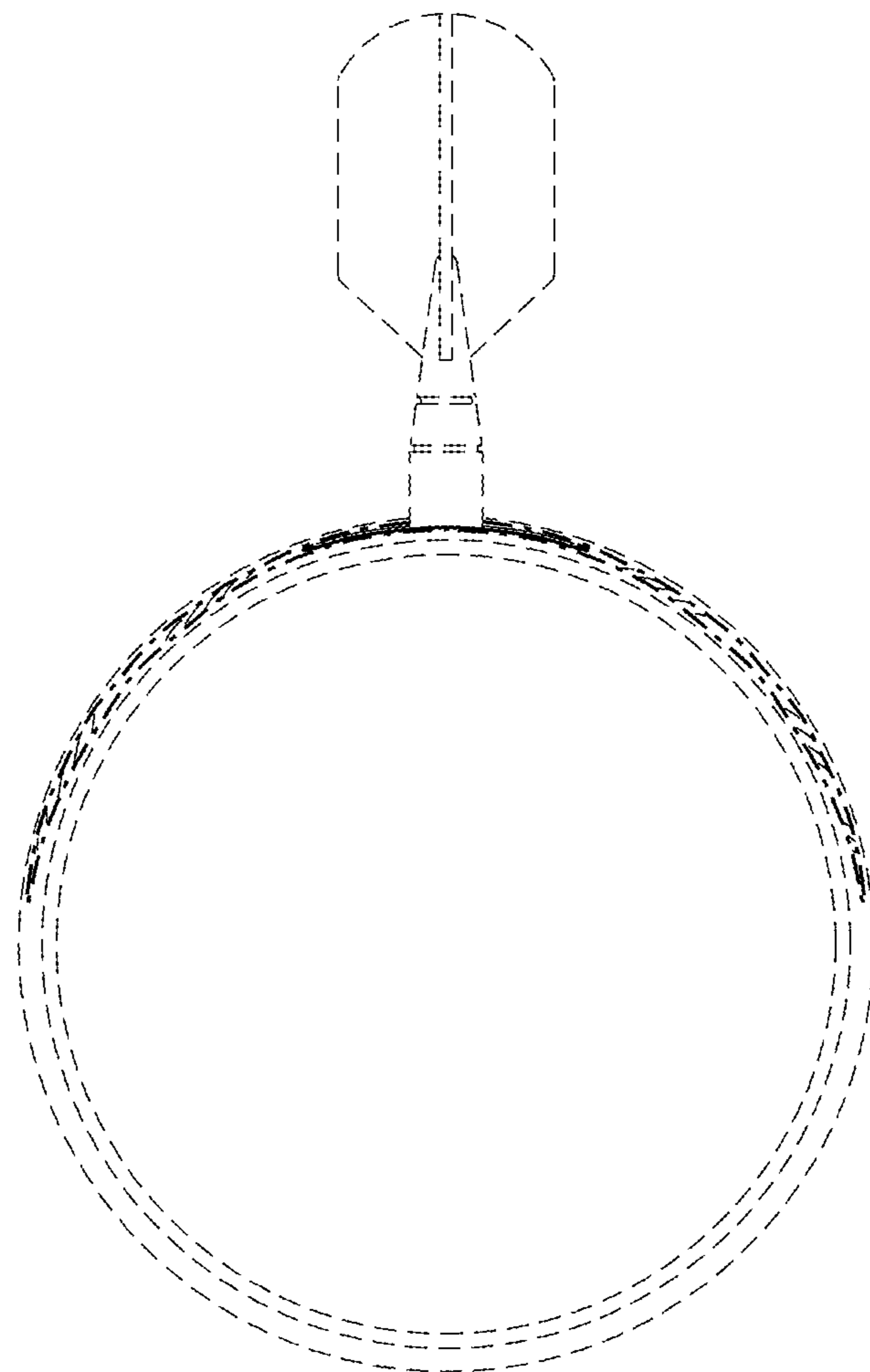


FIG. 6

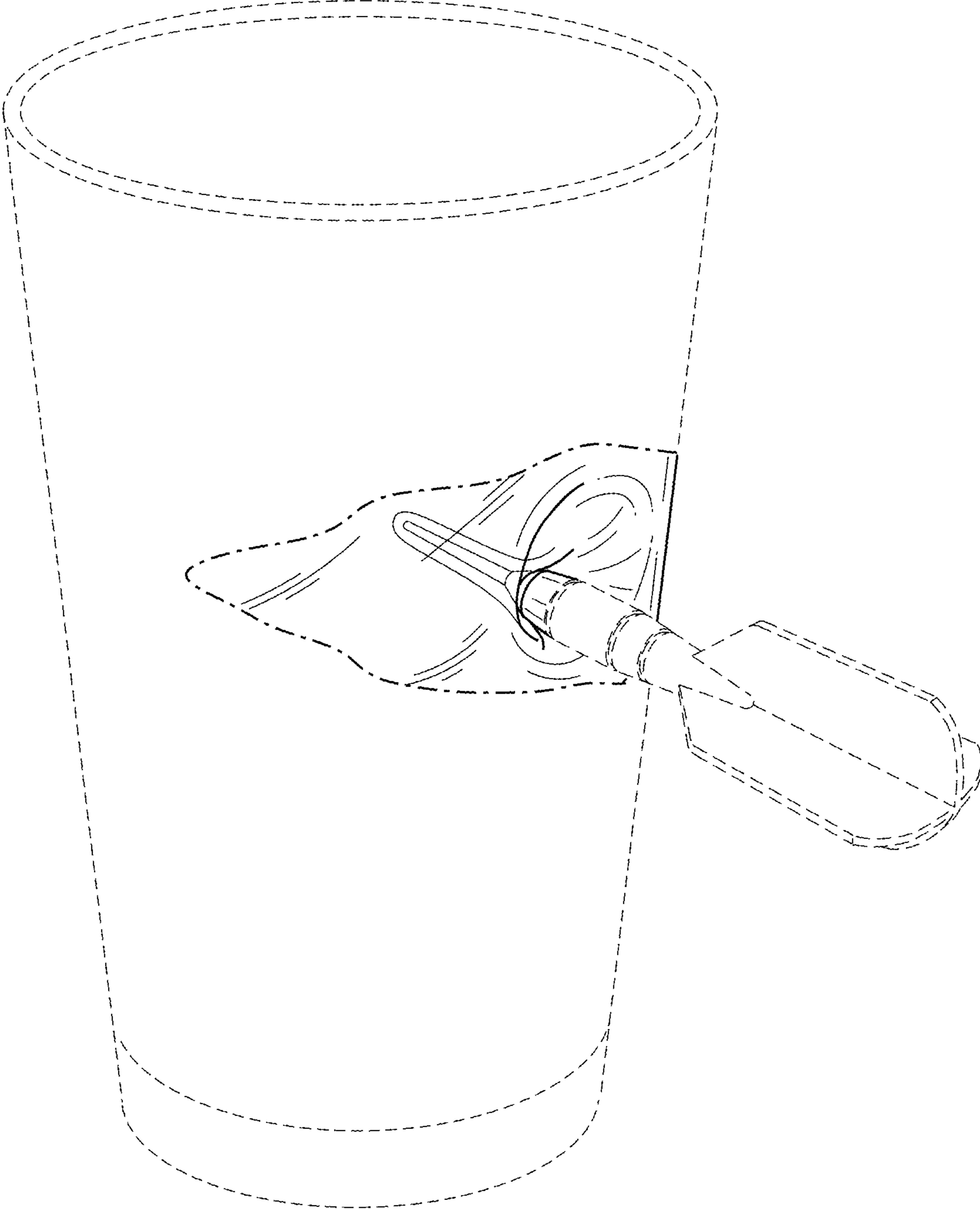


FIG. 7

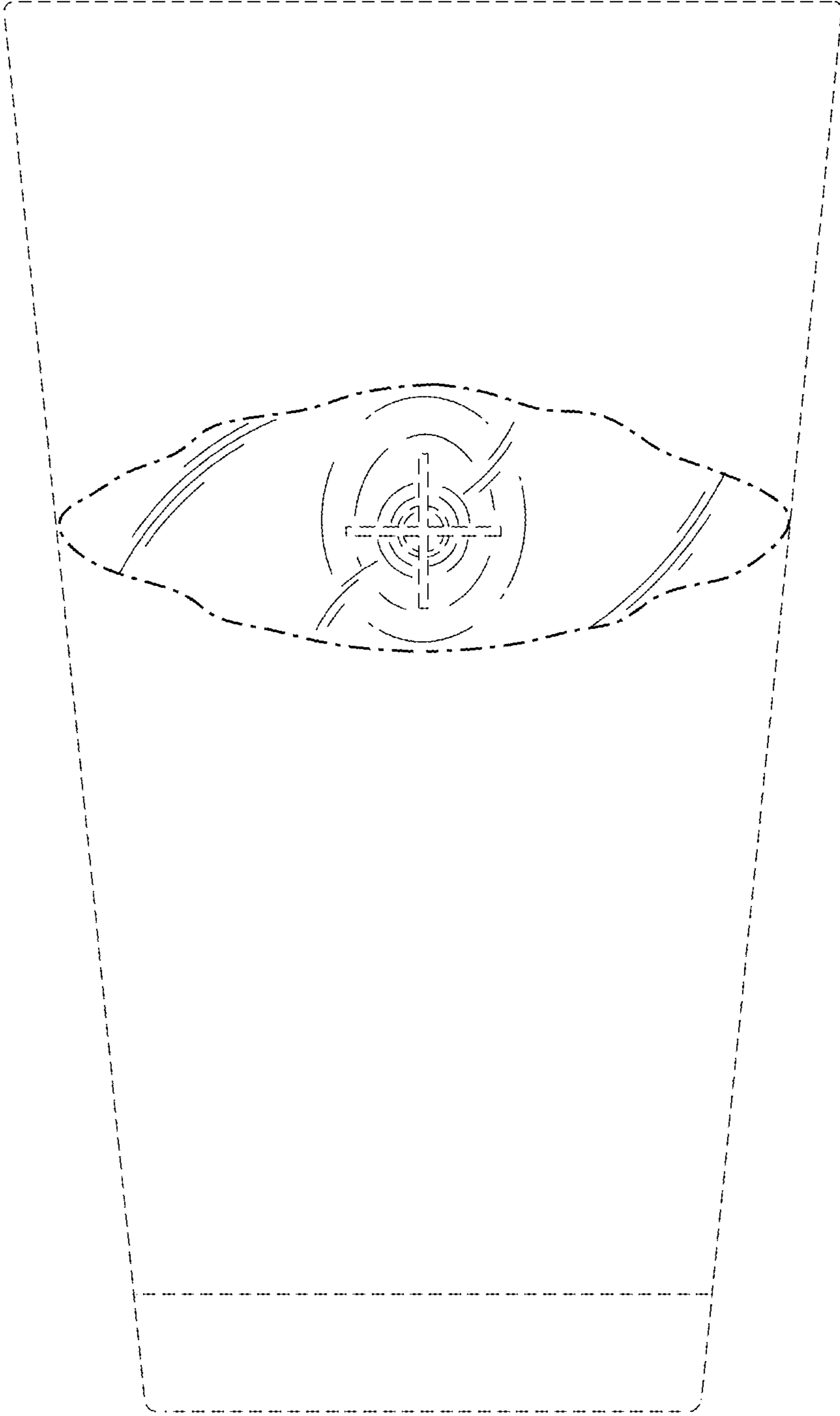


FIG. 8

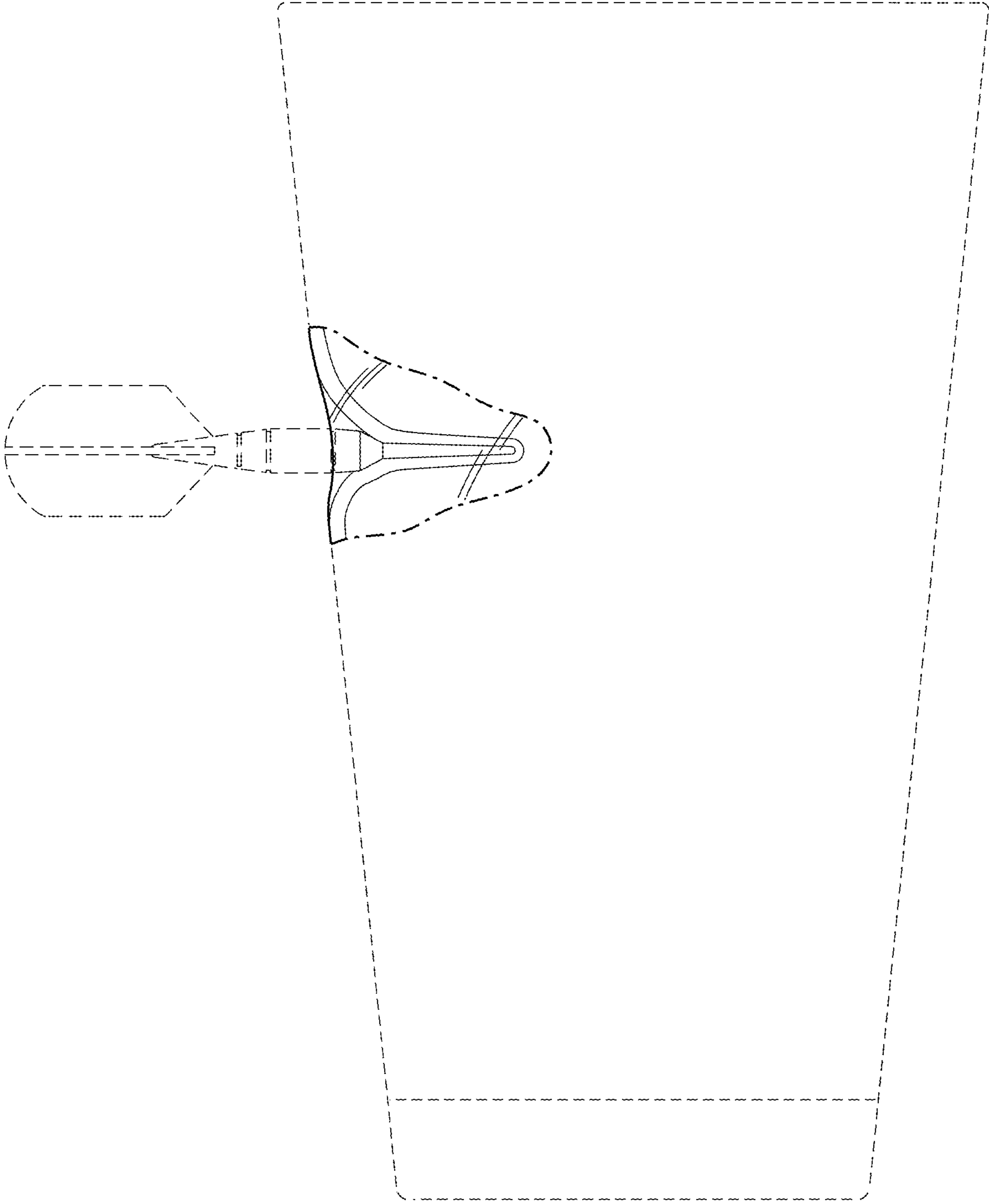


FIG. 9

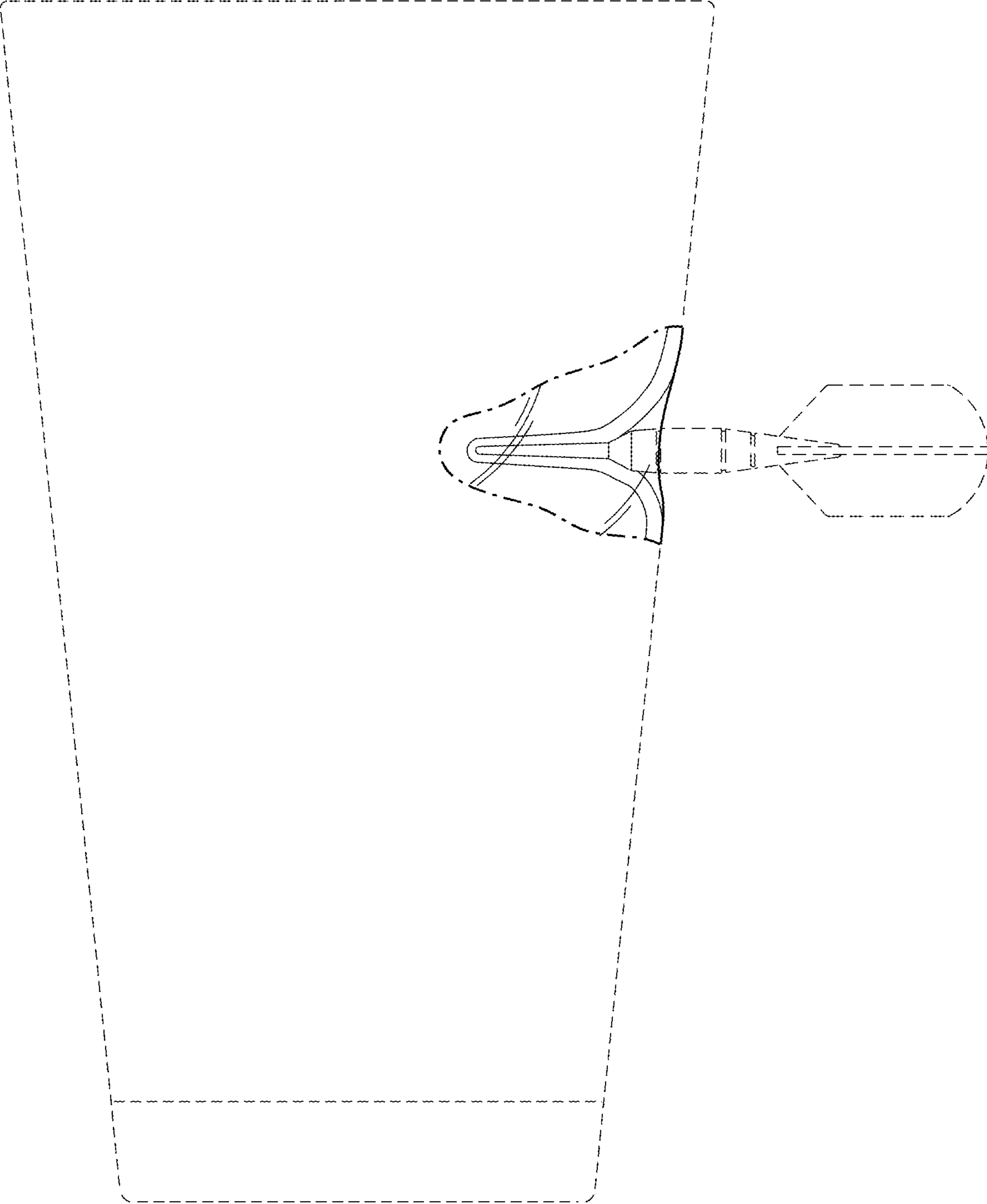


FIG. 10

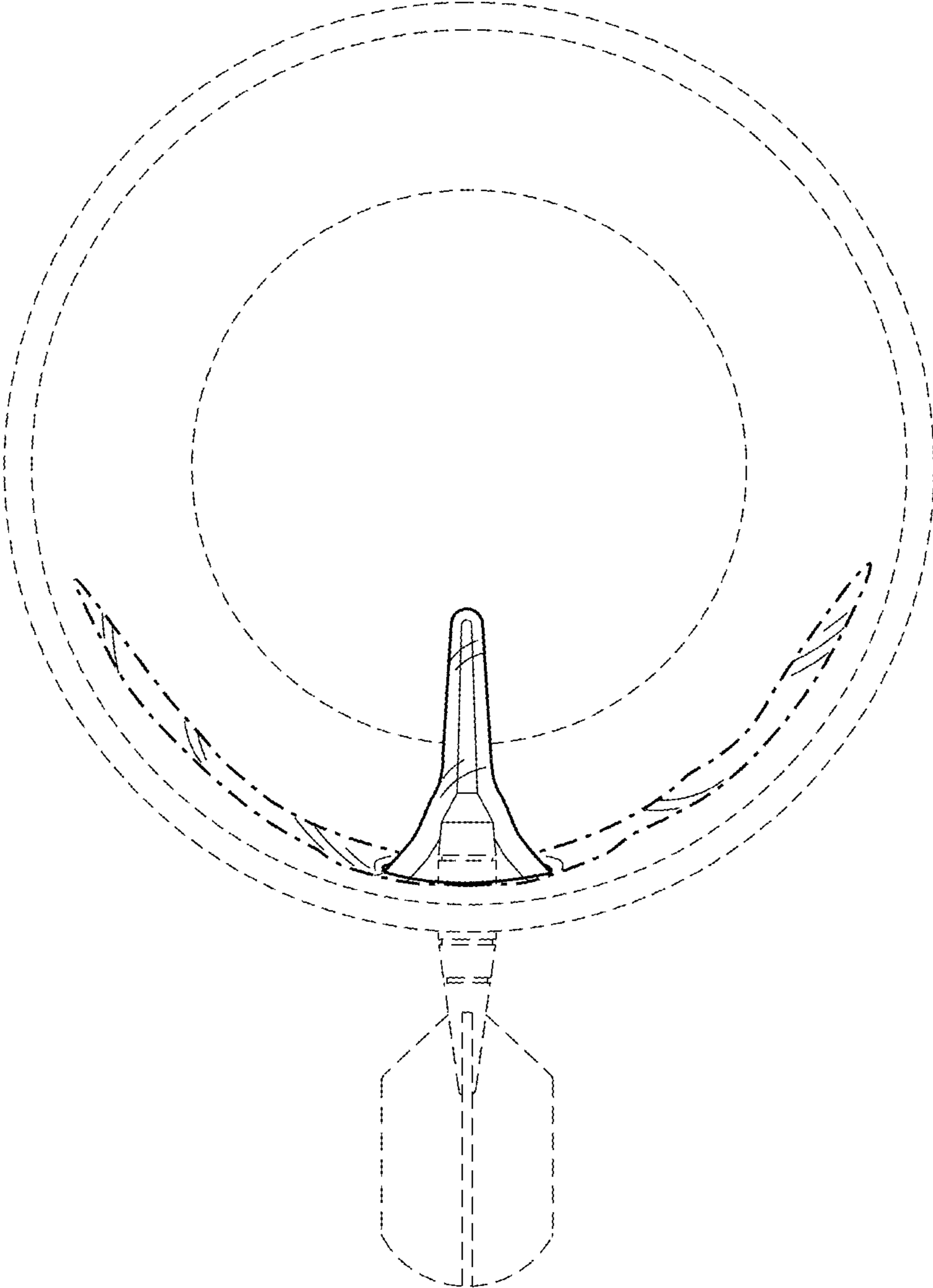


FIG. 11

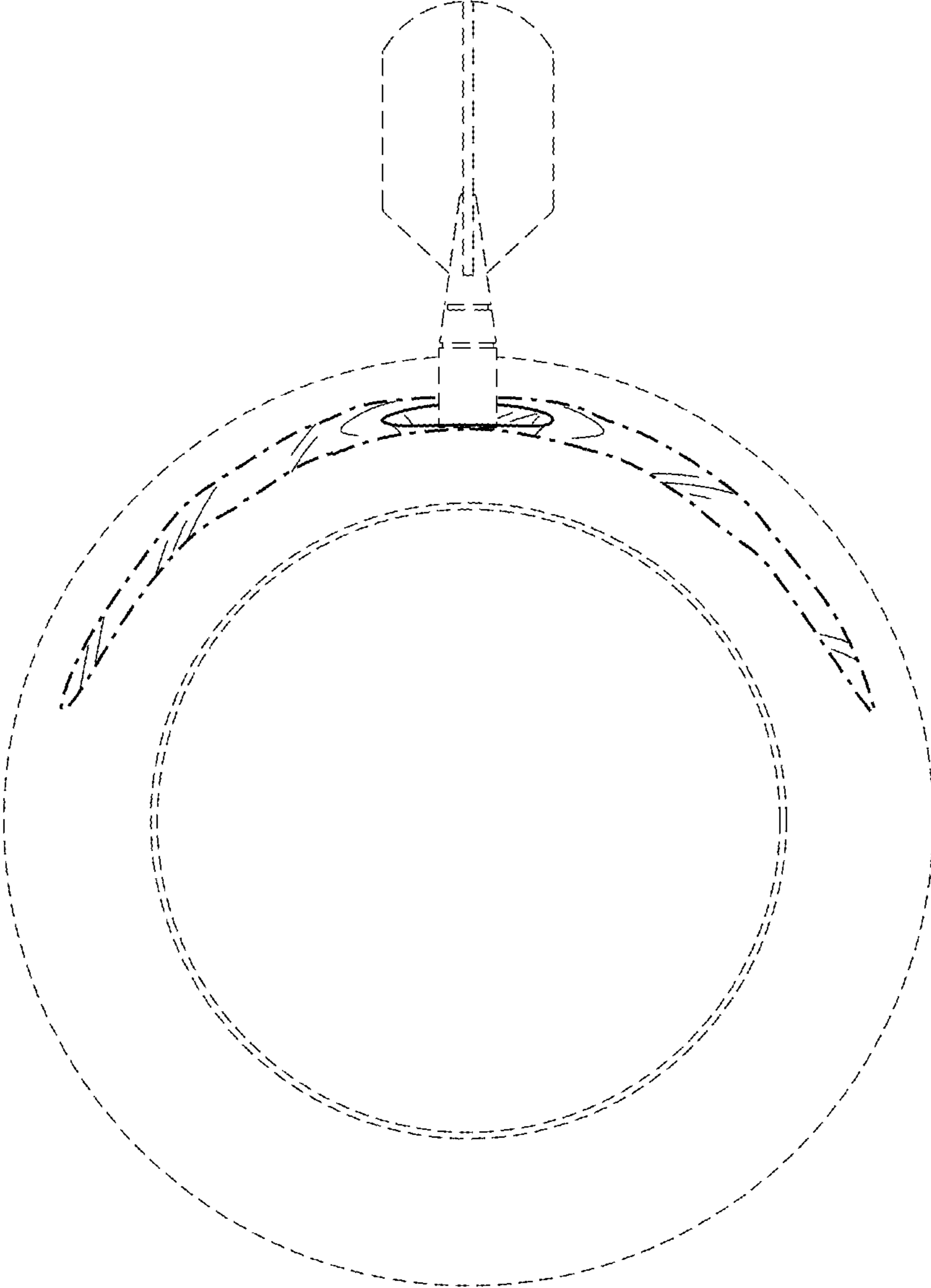


FIG. 12