



US00D932829S

(12) **United States Design Patent** (10) **Patent No.:** **US D932,829 S**  
**Chastan** (45) **Date of Patent:** **\*\* Oct. 12, 2021**

(54) **KITCHEN KNIFE HANDLE**

(71) Applicant: **Only-Hits Limited**, Hong Kong (CN)

(72) Inventor: **Antoine Chastan**, Saint-André-lez-Lille (FR)

(\*\*) Term: **15 Years**

(21) Appl. No.: **35/509,881**

(22) Filed: **Jun. 5, 2020**

(80) **Hague Agreement Data**

Int. Filing Date: **Jun. 5, 2020**

Int. Reg. No.: **DM/209251**

Int. Reg. Date: **Jun. 5, 2020**

Int. Reg. Pub. Date: **Jul. 24, 2020**

(51) **LOC (13) Cl.** ..... **07-02**

(52) **U.S. Cl.**  
USPC ..... **D7/393**

(58) **Field of Classification Search**  
USPC ..... D7/642, 645, 393, 649, 653, 401.2;  
D8/93, 97-98, 107; D22/117-118  
CPC ..... A47G 21/02; A47G 21/14; A47G 21/00;  
B26B 1/10; B26B 3/00; B25G 1/102  
See application file for complete search history.

(56) **References Cited**

U.S. PATENT DOCUMENTS

D773,891 S *	12/2016	Liu	.....	D7/401.2
D831,419 S *	10/2018	Liu	.....	D7/401.2
D849,476 S *	5/2019	Heine	.....	D7/401.2
D893,947 S *	8/2020	Pulk	.....	D7/401.2
2009/0007434 A1 *	1/2009	Kwok	.....	B26B 3/00
				30/125
2012/0151777 A1 *	6/2012	Ritter	.....	B26B 3/00
				30/165
2018/0056529 A1 *	3/2018	Liu	.....	B26B 3/00

\* cited by examiner

*Primary Examiner* — Michael A. Pratt

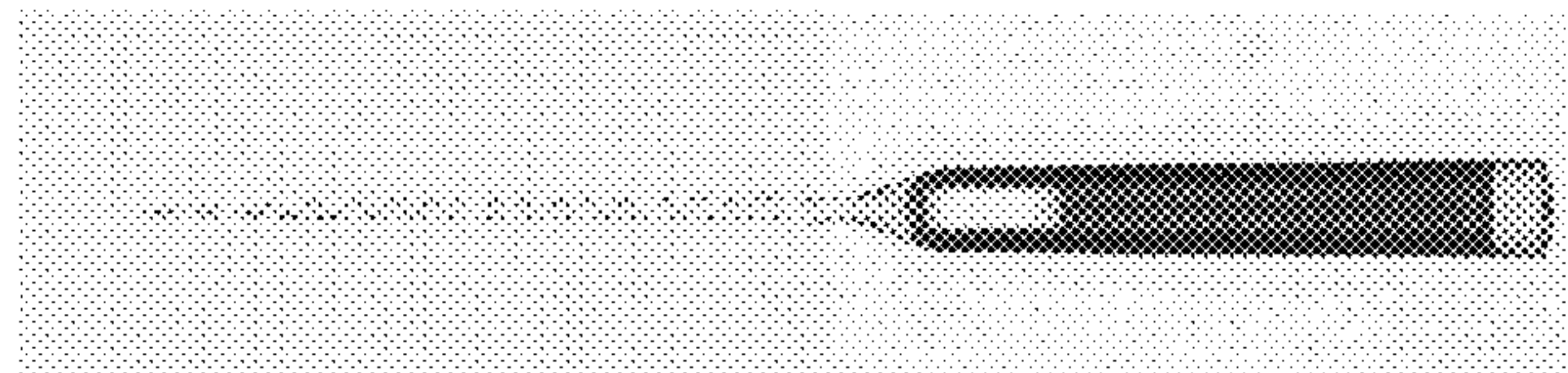
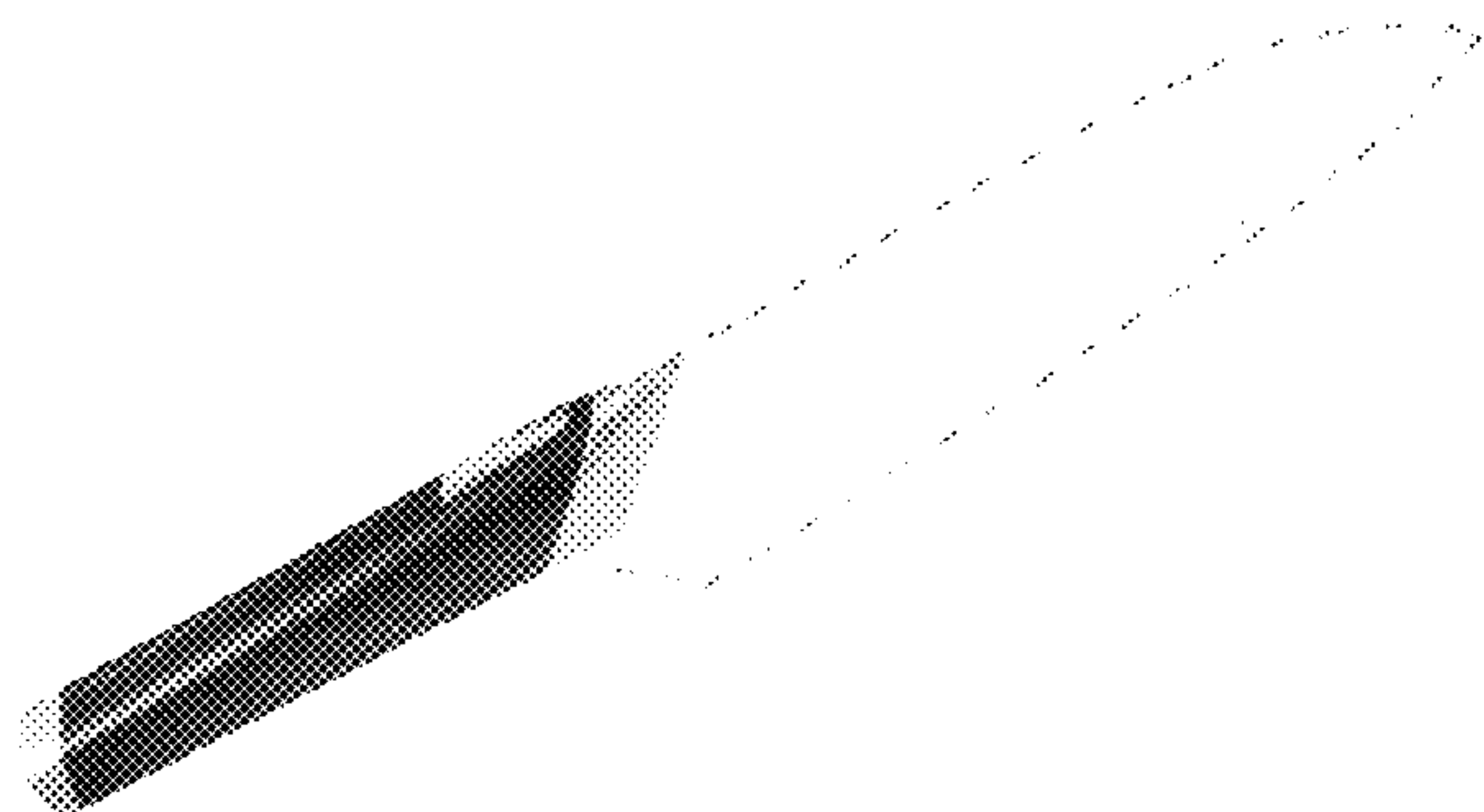
(57) **CLAIM**

The ornamental design for a kitchen knife handle, as shown and described.

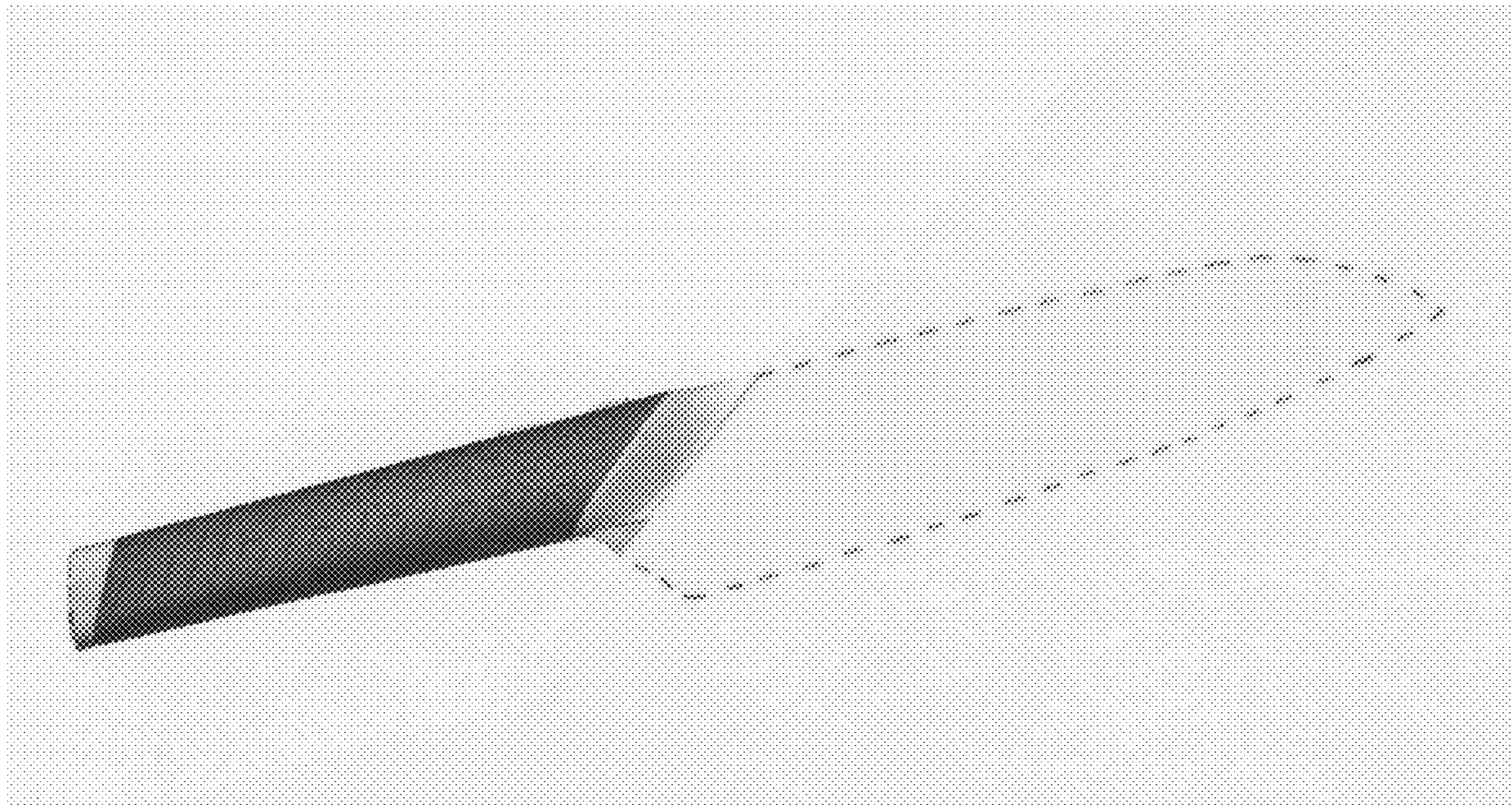
**DESCRIPTION**

1. Kitchen knife handle  
1.1 : Front  
1.2 : Perspective  
1.3 : Top  
Knife handle with an adjustable center of gravity.  
The broken line showing of a knife blade is for the purpose of illustrating environment and forms no part of the claimed design.

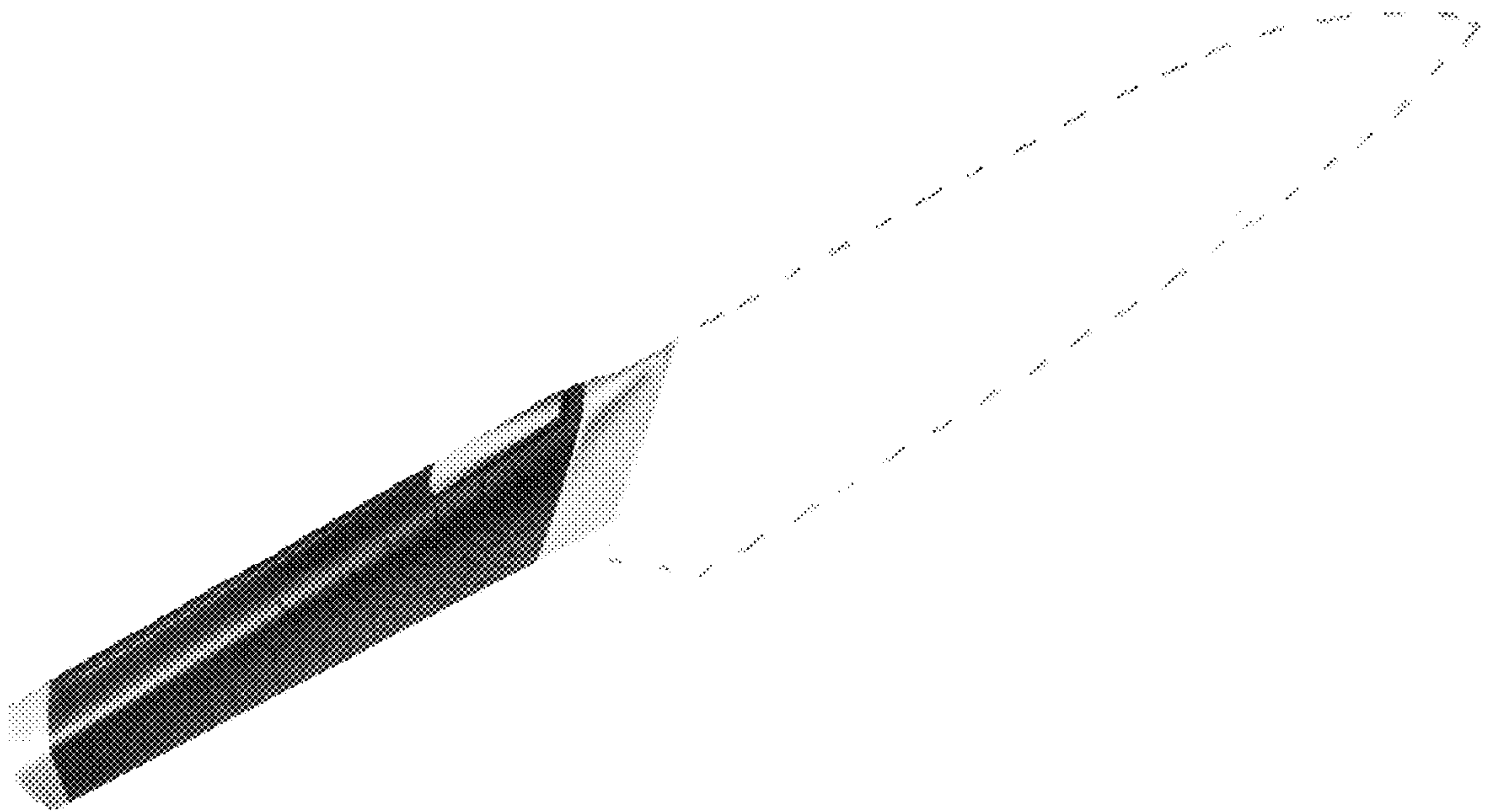
**1 Claim, 3 Drawing Sheets**



1.1



1.2



1.3

