



US00D932828S

(12) **United States Design Patent** (10) **Patent No.:** **US D932,828 S**
Ryu et al. (45) **Date of Patent:** **** Oct. 12, 2021**

(54) **KNOB FOR OVEN RANGE**
(71) Applicant: **LG ELECTRONICS INC.**, Seoul (KR)
(72) Inventors: **Inhwan Ryu**, Seoul (KR); **Sooyeon Kim**, Seoul (KR); **Hongsik Kwon**, Seoul (KR); **Suhyeon Son**, Seoul (KR)
(73) Assignee: **LG ELECTRONICS INC.**, Seoul (KR)
(**) Term: **15 Years**
(21) Appl. No.: **29/727,376**
(22) Filed: **Mar. 10, 2020**
(30) **Foreign Application Priority Data**
Mar. 4, 2020 (KR) 30-2020-0009865
(51) **LOC (13) Cl.** **07-02**
(52) **U.S. Cl.**
USPC **D7/393**; D8/311
(58) **Field of Classification Search**
USPC D7/332-334, 337, 339-341, 346, 348, D7/349, 354, 360, 361, 391, 393-396, D7/402, 406, 350.1, 350.3, 350.4, 351; D8/300, 303, 310, 311, 315, 321; D15/89; D32/5, 6, 8, 25, 28; D10/49, D10/50, 122, 126
CPC .. A47J 27/00; A47J 36/00; A47J 36/06; A47J 37/0623; A47J 37/0647; A47J 37/07; A47J 37/0713; A47J 37/0727; A47J 37/074; A47J 37/0763; A47J 37/10; A47J 37/101; A47J 45/06; A47J 45/061; A47J 45/062; A47J 45/063; A47J 45/068; A47J 45/07; A47J 45/071; A47J 45/072; A47J 45/074; F24B 1/00; F24B 1/191; F24B 1/20; F24C 1/00; F24C 3/00; F24C 3/002; F24C 3/008; F24C 3/02; F24C 3/04; F24C 3/042; F24C 3/047;
(Continued)

(56) **References Cited**
U.S. PATENT DOCUMENTS
D637,886 S * 5/2011 Bengtson D8/311
D703,998 S * 5/2014 Funnell, II D7/393
D722,815 S * 2/2015 Fuller D7/393
(Continued)

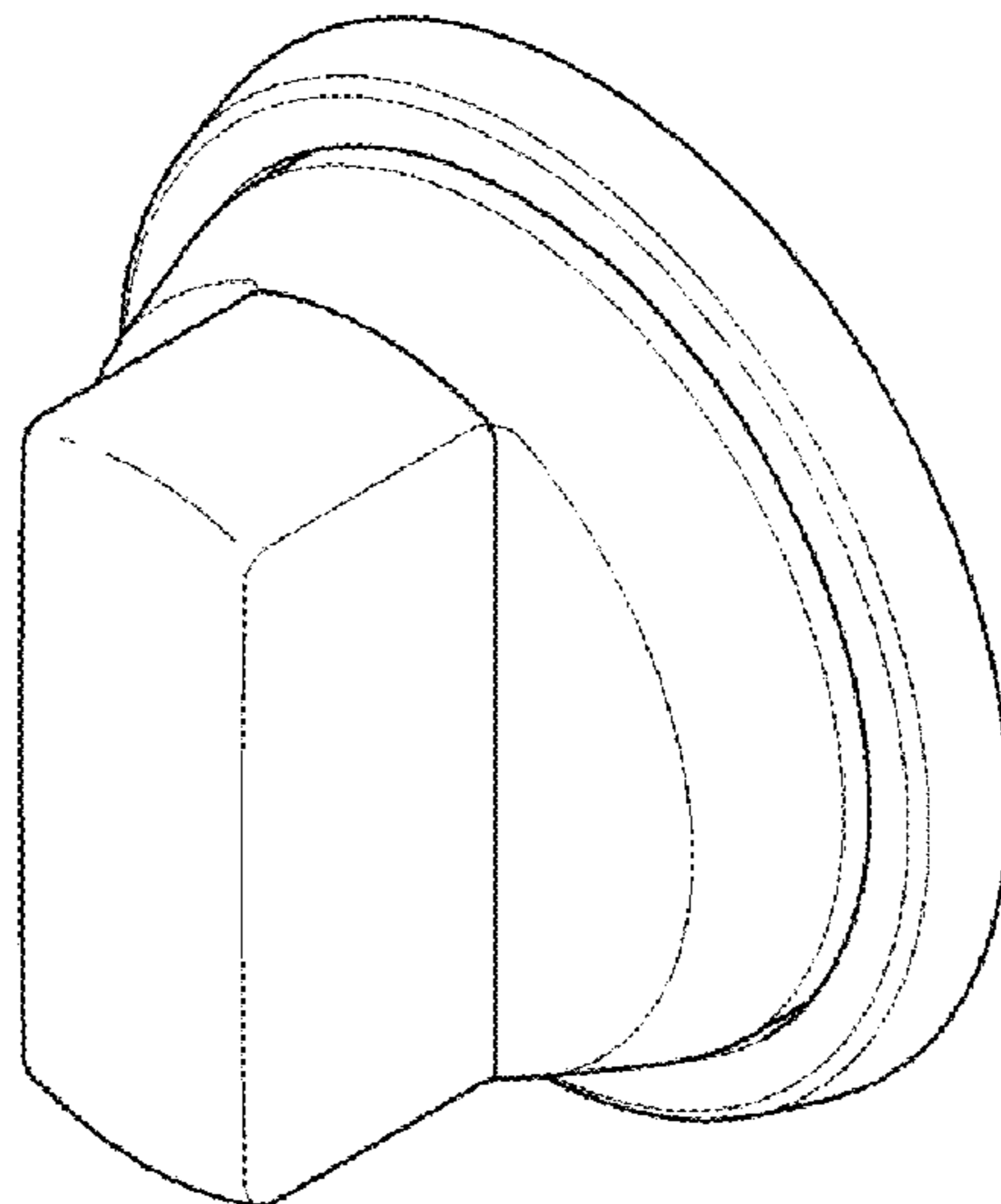
OTHER PUBLICATIONS
Design No. 300847105.0000, Mar. 23, 2016—Korean Intellectual Property Office (KIPO) Publication Date—Mar. 29, 2016 Owner—LG Electronics Inc, Designer—Kim Soo Yeon, et. al. WIPO, available at <https://www3.wipo.int/designdb/en/index.jsp> (Year: 2016).*
(Continued)

Primary Examiner — Mary Ann Calabrese
Assistant Examiner — Natalya M Rapundalo
(74) *Attorney, Agent, or Firm* — Birch, Stewart, Kolasch & Birch, LLP

(57) **CLAIM**
The ornamental design for a knob for oven range, as shown and described.

DESCRIPTION
FIG. 1 is a front, right side, perspective view of a knob for oven range showing our new design;
FIG. 2 is a front view thereof;
FIG. 3 is a rear view thereof;
FIG. 4 is a left side view thereof;
FIG. 5 is a right side view thereof;
FIG. 6 is a top view thereof;
FIG. 7 is a bottom view thereof; and,
FIG. 8 is a perspective view within an environment of use. The broken lines indicate portions of the article that form no part of the claimed design. The broken lines in FIG. 8 illustrate environment that forms no part of the claimed design.

1 Claim, 4 Drawing Sheets



(58) **Field of Classification Search**

CPC . F24C 3/06; F24C 3/062; F24C 3/067; F24C
15/16; F24C 15/168; F24C 15/26

See application file for complete search history.

(56) **References Cited**

U.S. PATENT DOCUMENTS

D763,617 S *	8/2016	Kim	D7/349
D778,101 S *	2/2017	Spurrier	D7/346
D791,567 S *	7/2017	Incukur	D8/311
D817,145 S *	5/2018	Kim	D8/311
D817,693 S *	5/2018	Kim	D7/346
D818,303 S *	5/2018	Kim	D7/340
D829,528 S *	10/2018	Kim	D8/311
D860,757 S *	9/2019	Kim	D8/311
D904,820 S *	12/2020	Kim	D7/349
D918,646 S *	5/2021	Ryu	D7/393
D922,170 S *	6/2021	Ryu	D8/311
D922,171 S *	6/2021	Kwon	D8/311

OTHER PUBLICATIONS

“KBIS 2020”, Jan. 21, 2020, total 4 pages, <http://www.asiatoday.co.kr/view.php?key=20200121010011890>.

“Signature Kitchen Suite’s Broadened Luxury Portfolio Brings ‘sous vide’ To New Range, Cooktop, Ovens”, Signature Kitchen Suite, Jan. 20, 2020, total 6 pages, <https://www.prnewswire.com/news-releases/signature-kitchen-suites-broadened-luxury-portfolio-brings-sous-vide-to-new-range-cooktop-ovens-300989662.html>.

* cited by examiner

FIG. 1

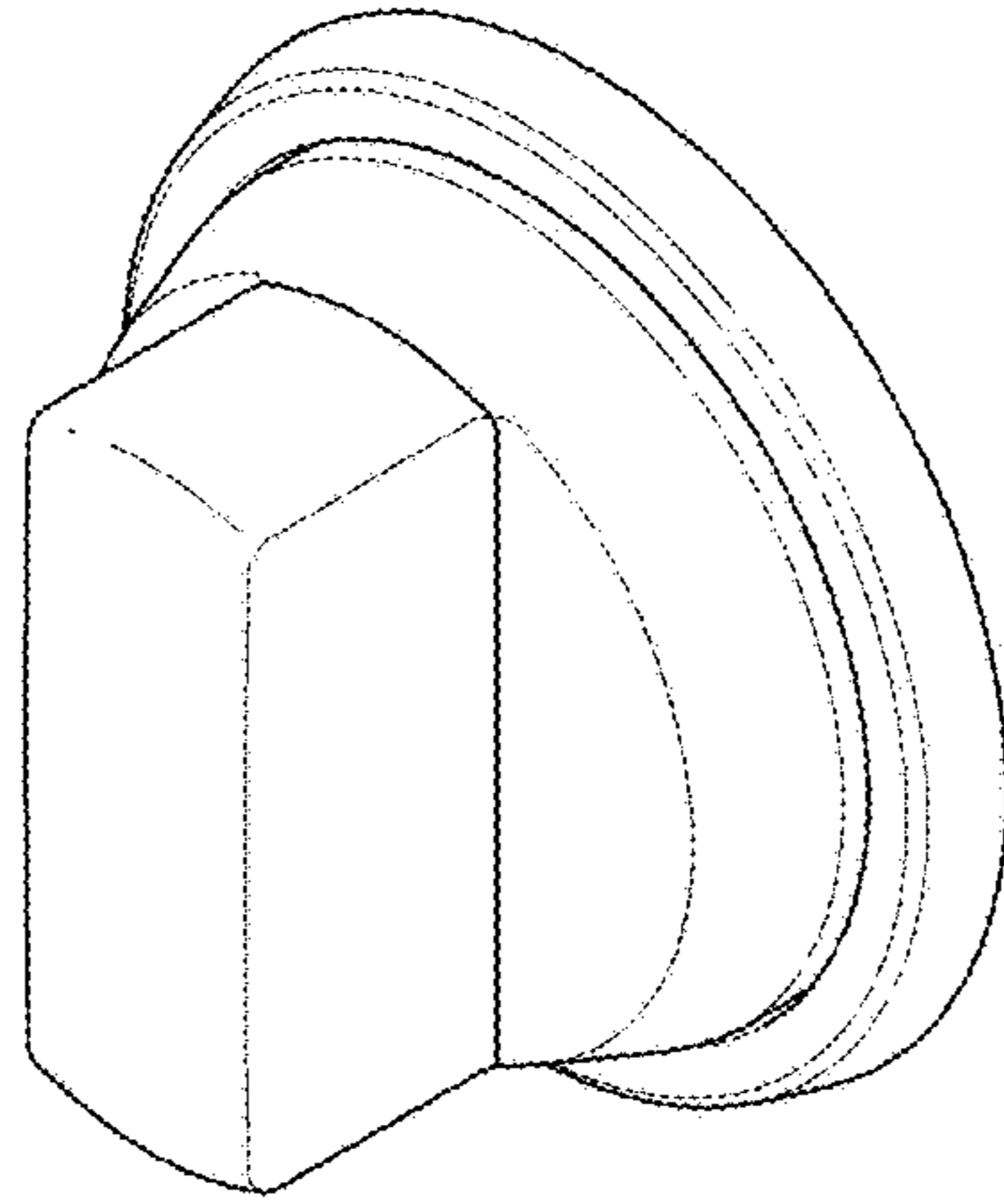


FIG. 2

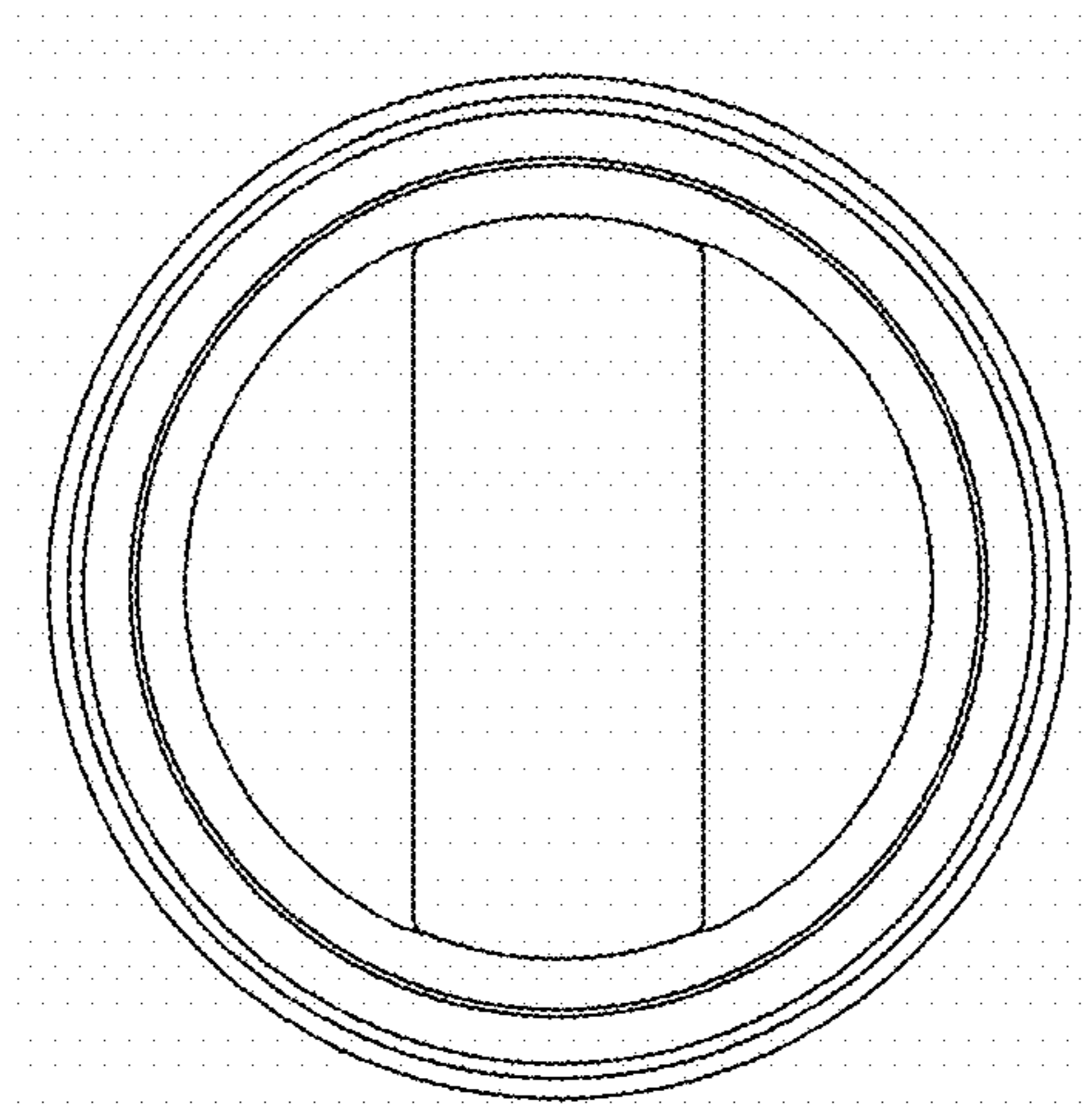


FIG. 3

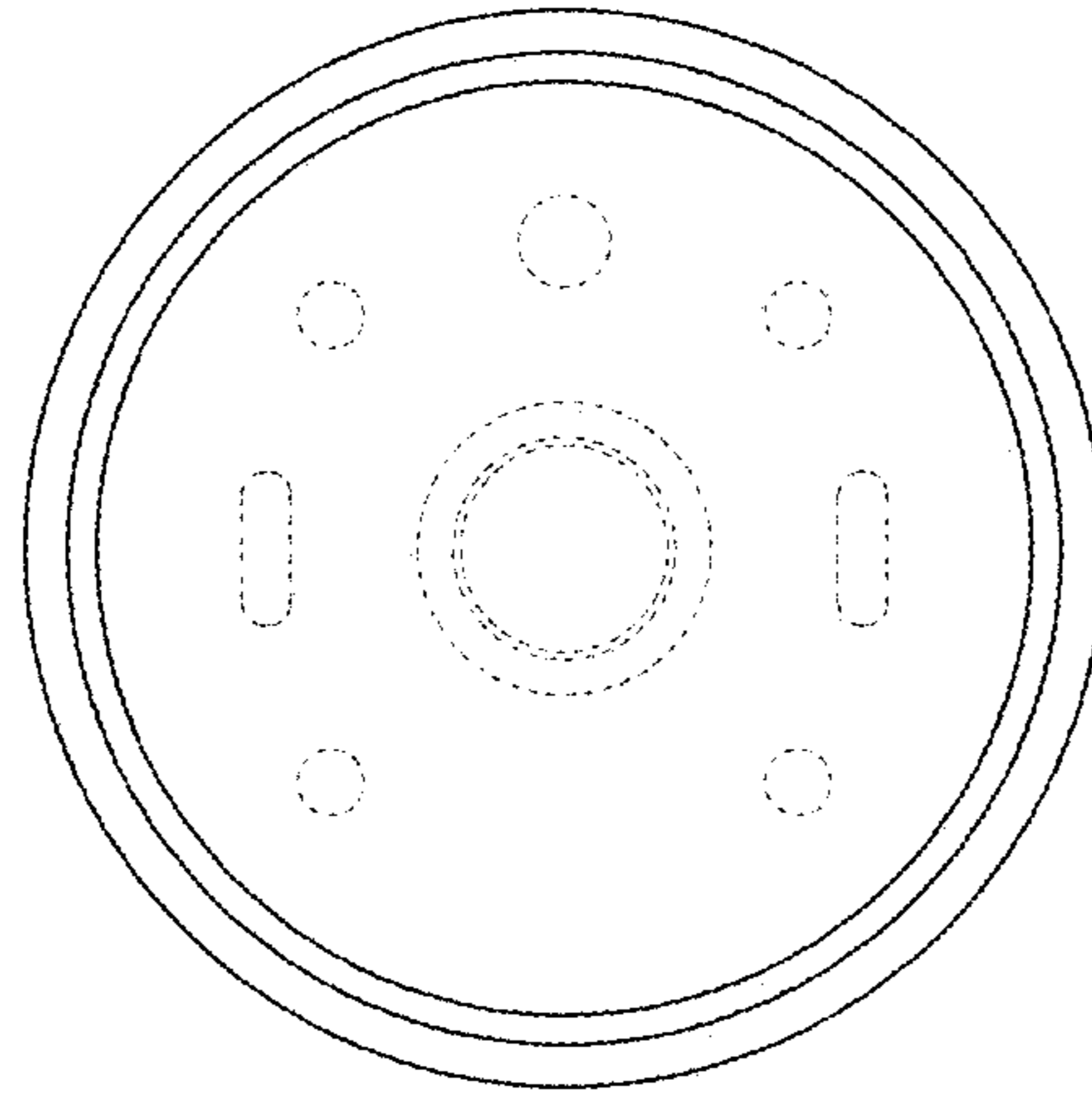


FIG. 4

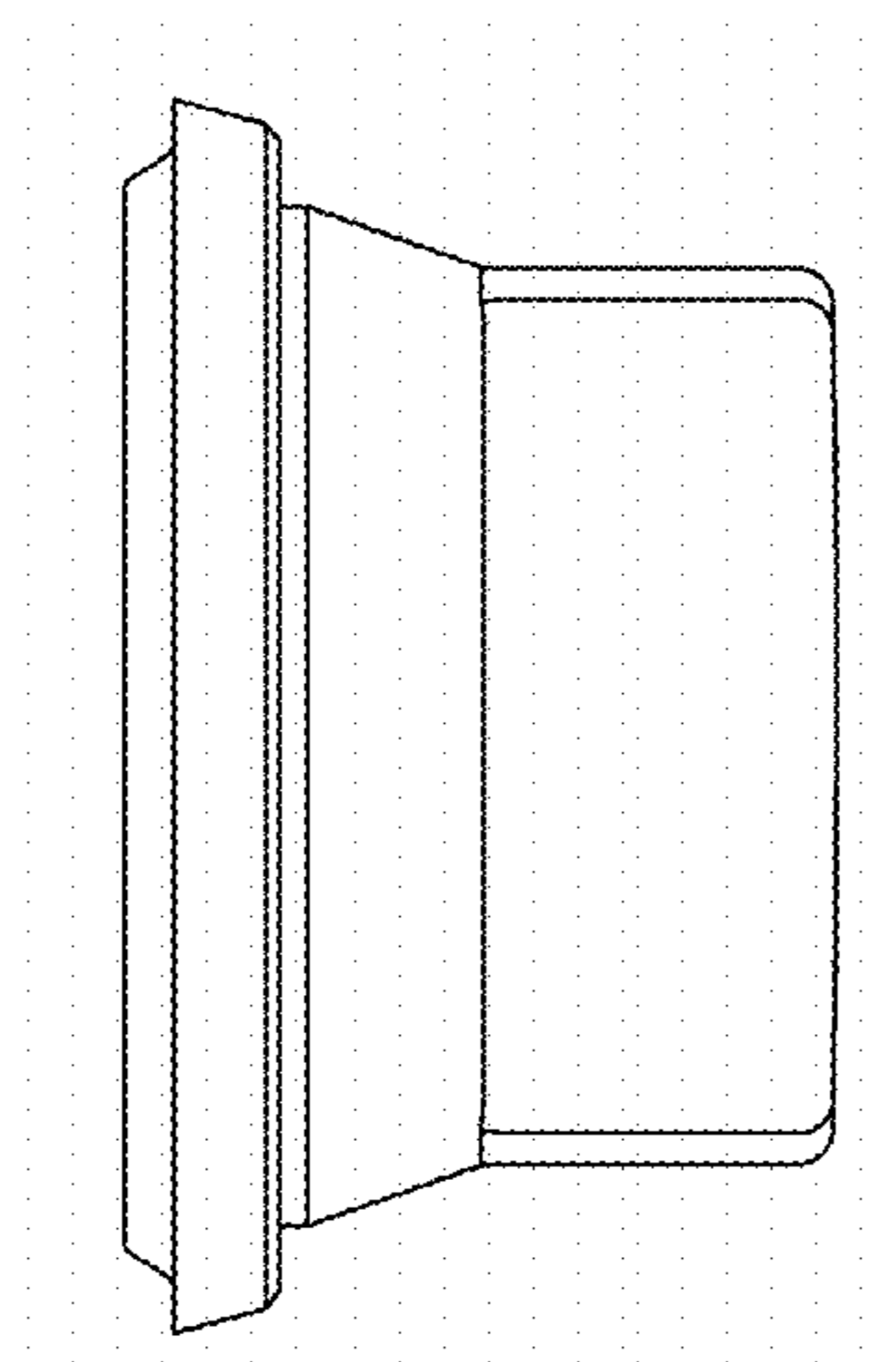


FIG. 5

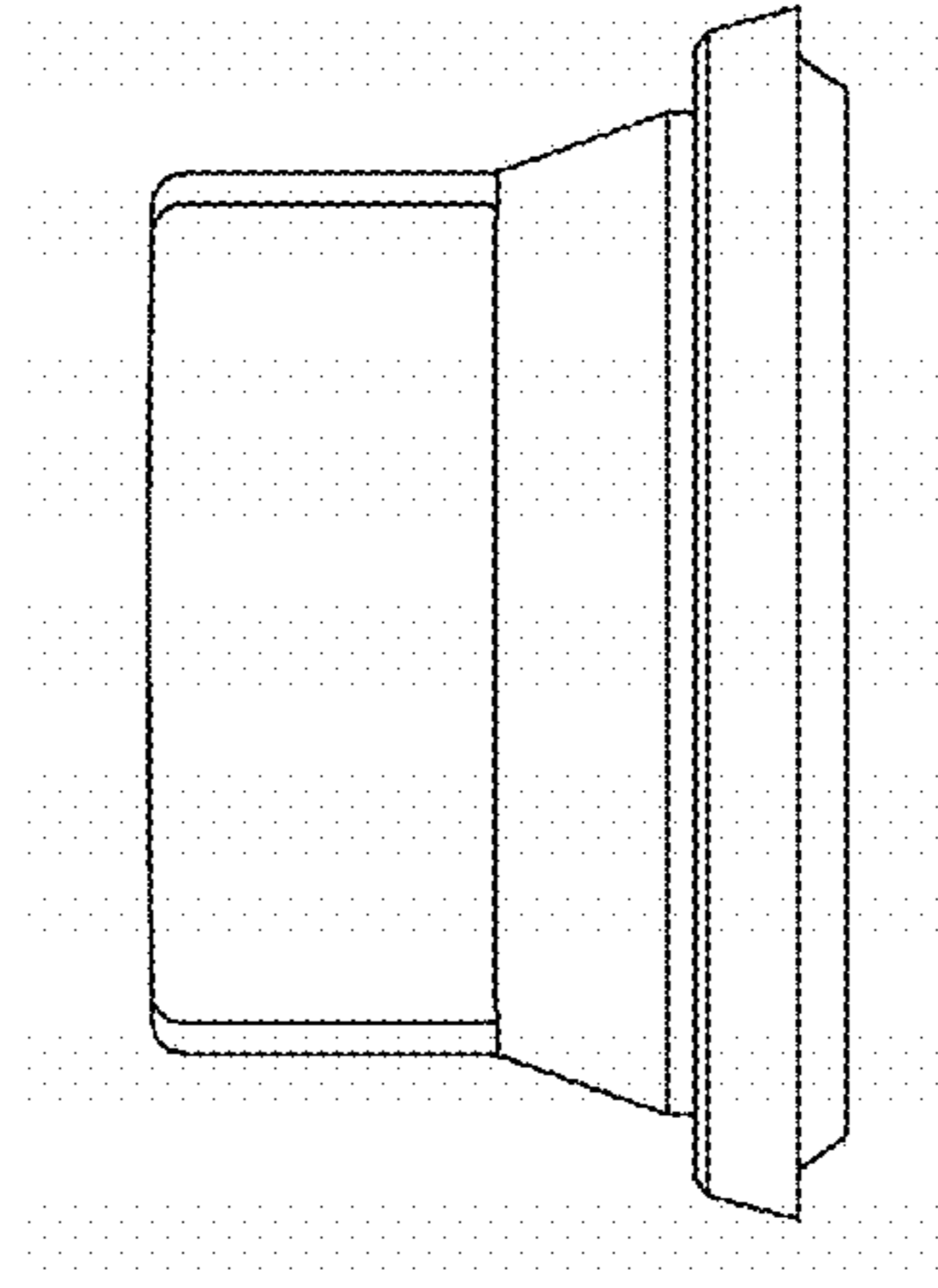


FIG. 6

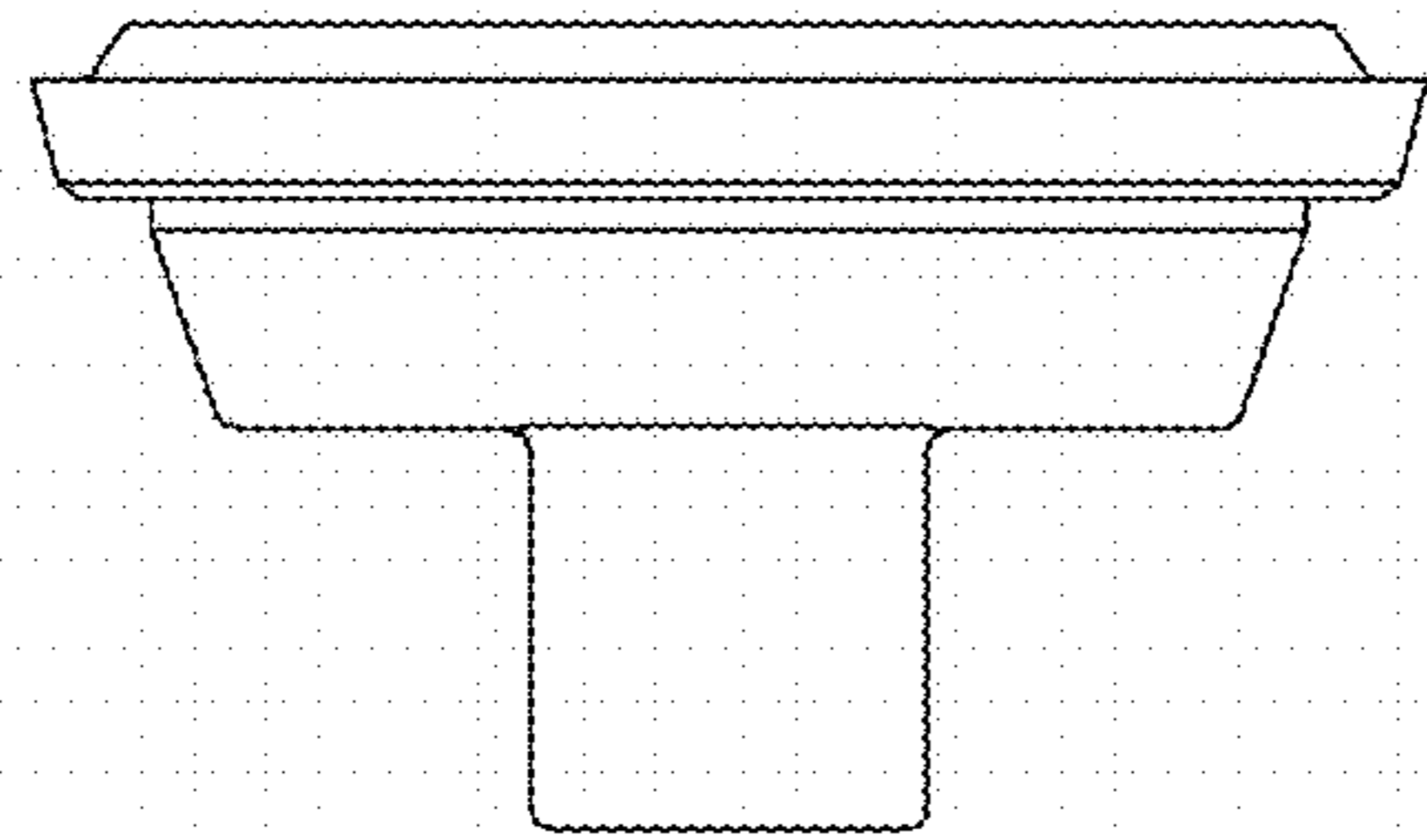


FIG. 7

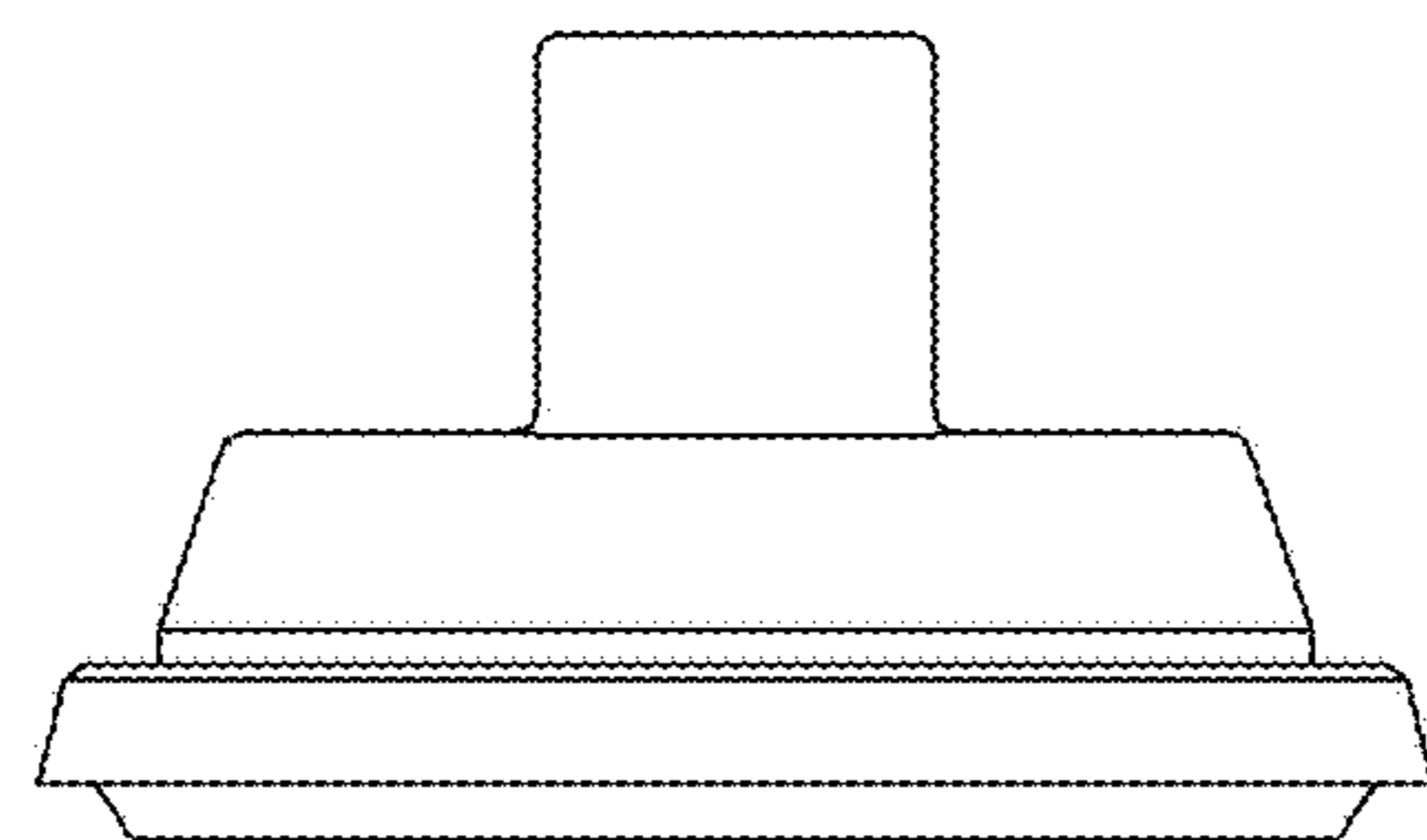


FIG. 8

