



US00D932827S

(12) **United States Design Patent**
Colegate

(10) **Patent No.:** **US D932,827 S**

(45) **Date of Patent:** **** Oct. 12, 2021**

- (54) **CUP LID**
- (71) Applicant: **JOCO Group Pty Ltd**, Breamlea (AU)
- (72) Inventor: **Matthew Colegate**, Breamlea (AU)
- (73) Assignee: **JOCO GROUP PTY LTD**, Breamlea (AU)
- (**) Term: **15 Years**
- (21) Appl. No.: **29/708,674**
- (22) Filed: **Oct. 8, 2019**
- (30) **Foreign Application Priority Data**

Sep. 12, 2019 (AU) 201915276

- (51) **LOC (13) Cl.** **07-99**
- (52) **U.S. Cl.**
USPC **D7/392.1**; D7/396.2; D9/447
- (58) **Field of Classification Search**
USPC D9/434, 435, 439, 440, 442-450,
D9/452-457, 499, 503-505, 682, 685,
D9/686; D7/387, 391, 392, 392.1, 396.1,
D7/396.2, 507, 509-511, 538, 900;
D3/202, 203.2, 294, 318; D28/91, 91.1
CPC .. A61J 1/00; A61J 1/1412; B65D 1/00; B65D
1/02; B65D 1/10; B65D 1/46; B65D
5/46; B65D 41/00; B65D 41/38; B65D
41/56; B65D 41/62; B65D 47/00; B65D
47/06; B65D 47/08; B65D 2251/00;
B65D 2543/00046; B65D 2543/00092;
B65D 2543/00296

See application file for complete search history.

(56) **References Cited**

U.S. PATENT DOCUMENTS

- D299,010 S * 12/1988 Wall D9/435
- D417,845 S * 12/1999 Sadlier D9/454

- D437,223 S * 2/2001 Coy D9/447
- D470,009 S * 2/2003 Turchi D7/392.1
- D514,444 S * 2/2006 Smith D9/447
- D516,424 S * 3/2006 Schweigert D9/447
- D666,490 S * 9/2012 Leon D9/447
- D675,524 S * 2/2013 Bickert D7/392.1
- D702,557 S * 4/2014 Beardsley D9/434
- D735,035 S * 7/2015 Lane D9/447
- D752,436 S * 3/2016 Crudgington D9/447
- D784,082 S * 4/2017 Yao D7/507
- D792,738 S * 7/2017 Savenok D7/392.1
- D794,449 S * 8/2017 Polt D9/447
- D795,006 S * 8/2017 Heiberger D7/392.1
- D807,746 S * 1/2018 Fleming D7/396.2
- D815,489 S * 4/2018 Yan D7/396.2
- D827,437 S * 9/2018 Oakes D9/447
- D829,549 S * 10/2018 D'Amato D9/447
- D836,438 S * 12/2018 Engel D7/392.1
- D885,138 S * 5/2020 Braidotti D7/536
- 2006/0071008 A1 * 4/2006 Sadlier B65D 47/06
220/713

* cited by examiner

Primary Examiner — Wendy L Arminio

(74) *Attorney, Agent, or Firm* — Tucker Ellis LLP

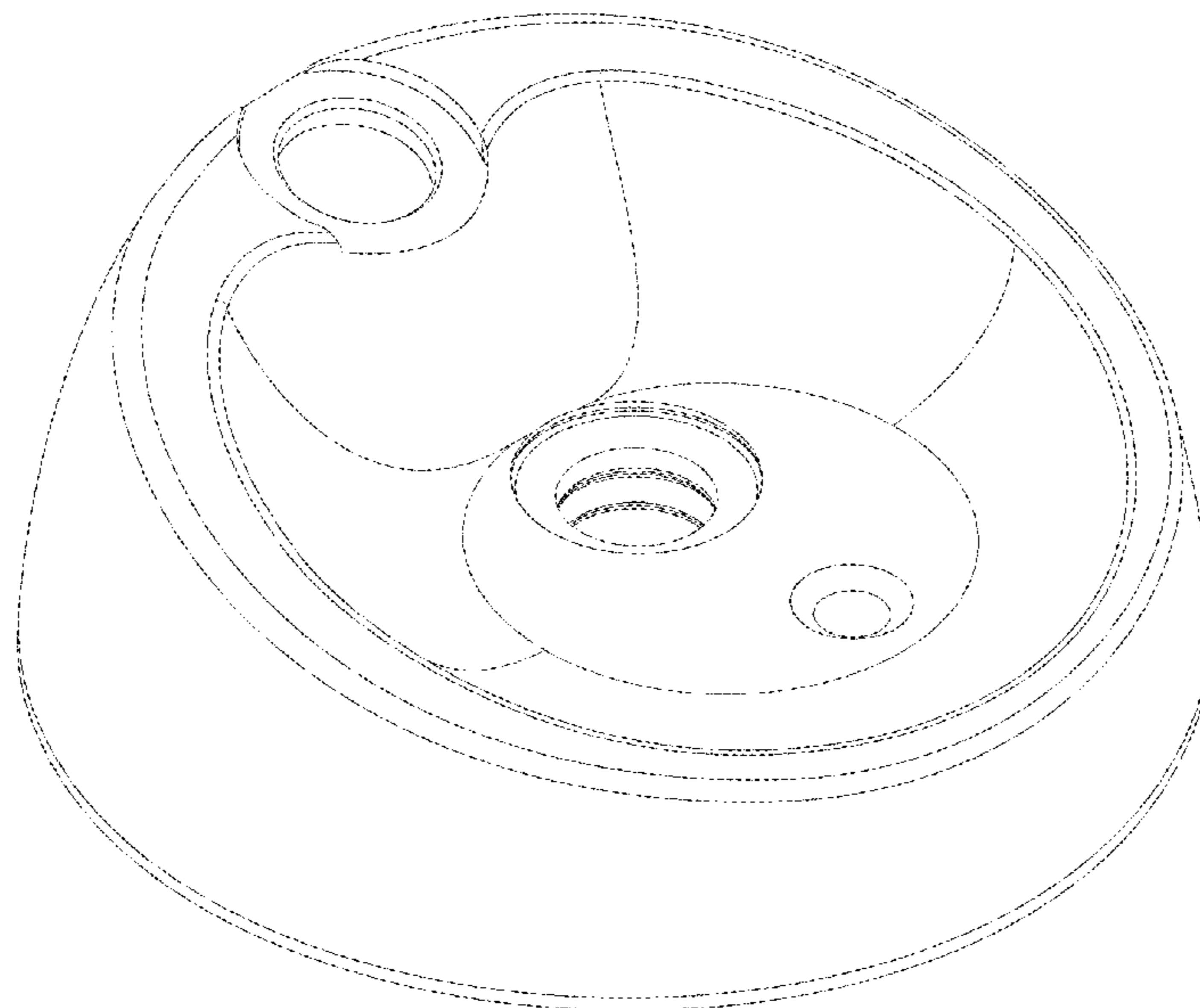
(57) **CLAIM**

The ornamental design for a cup lid, as shown and described.

DESCRIPTION

FIG. 1 is a rear-left-top perspective view of a cup lid showing my new design;
 FIG. 2 is a front-left-top perspective view thereof;
 FIG. 3 is a front-right-top perspective view thereof;
 FIG. 4 is a front view thereof;
 FIG. 5 is a rear view thereof;
 FIG. 6 is a right side view thereof;
 FIG. 7 is a left side view thereof; and,
 FIG. 8 is a top view thereof.

1 Claim, 5 Drawing Sheets



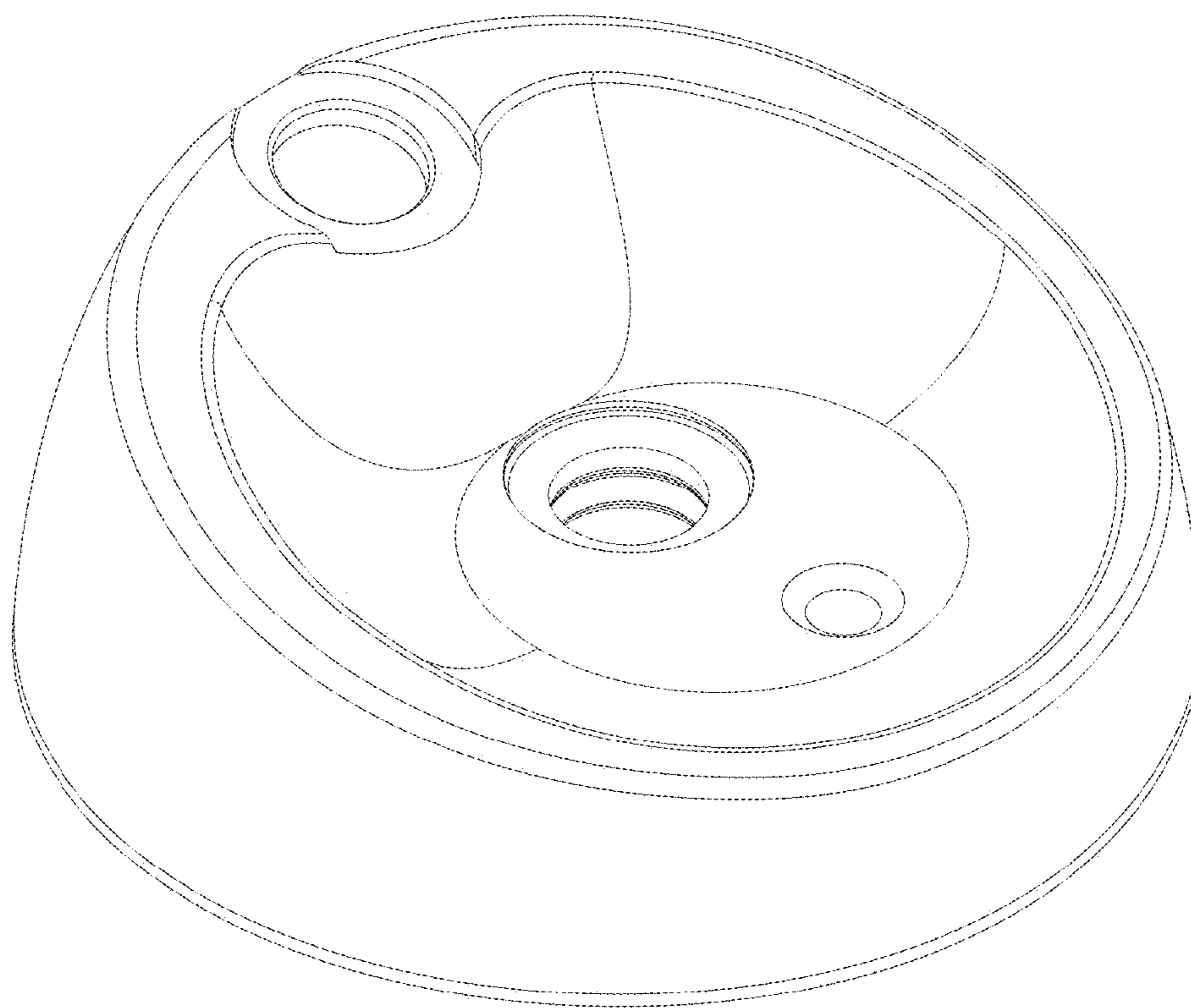


FIG. 1

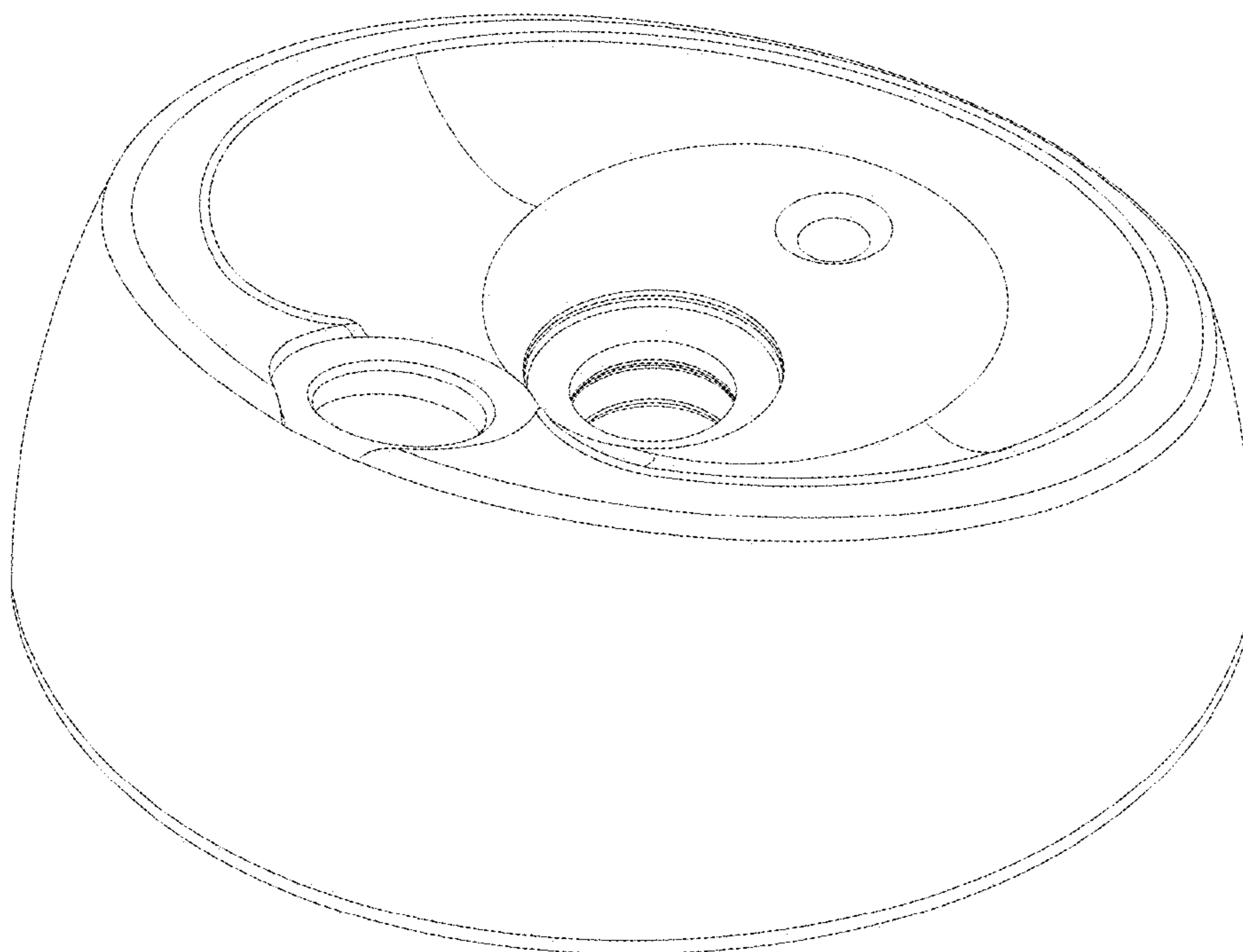


FIG. 2

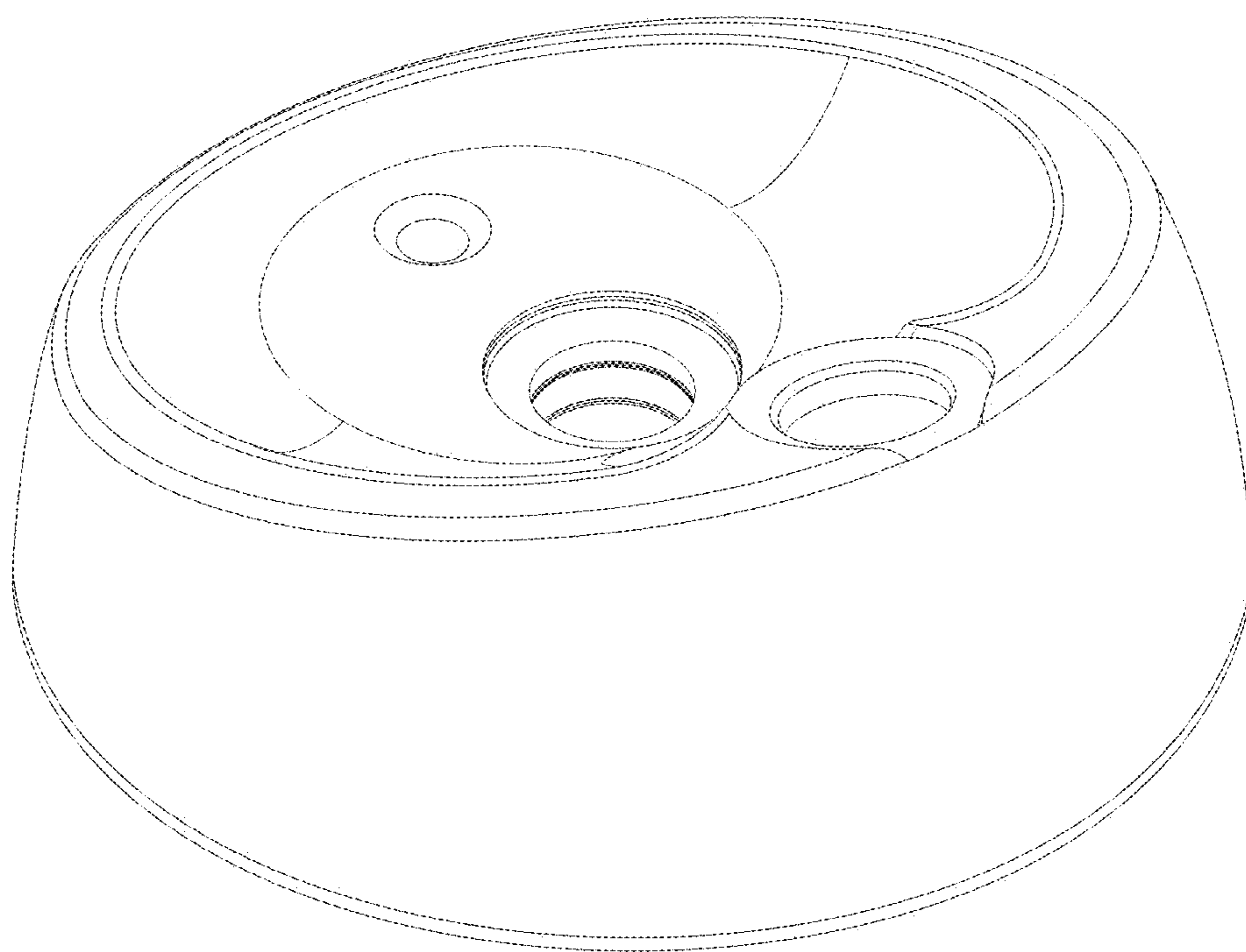


FIG. 3

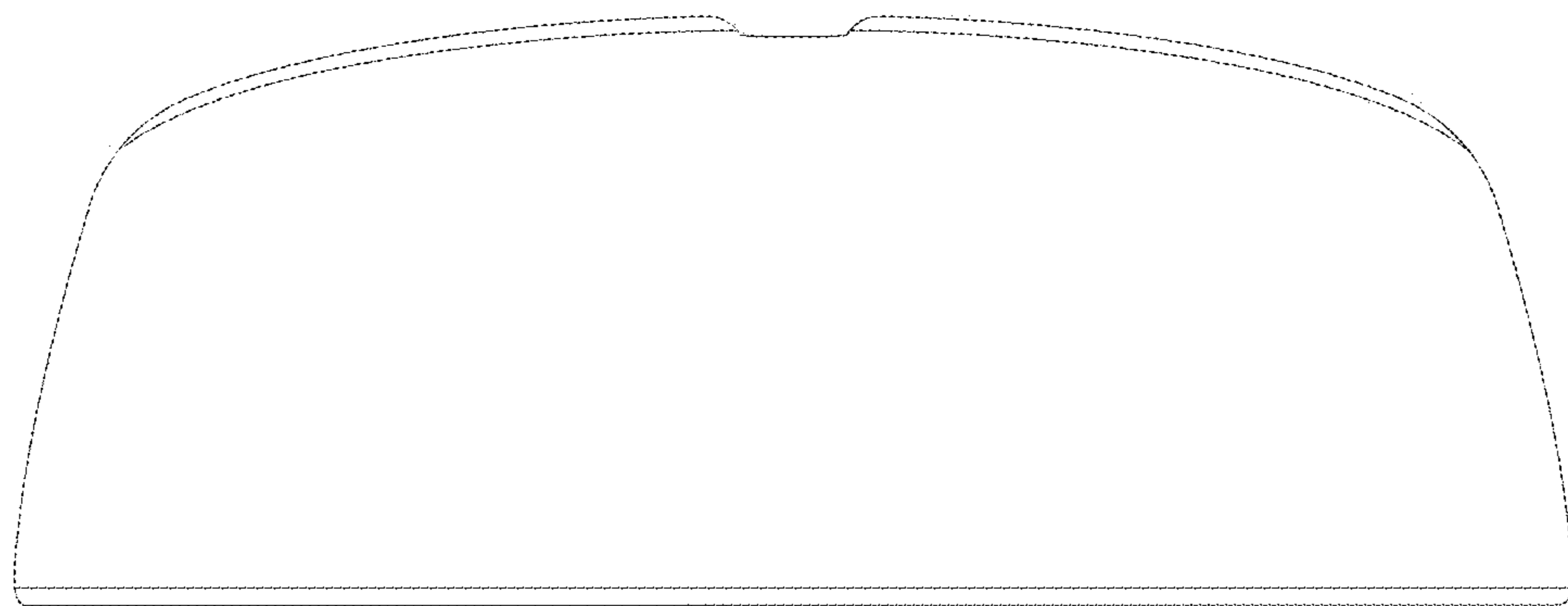


FIG. 4

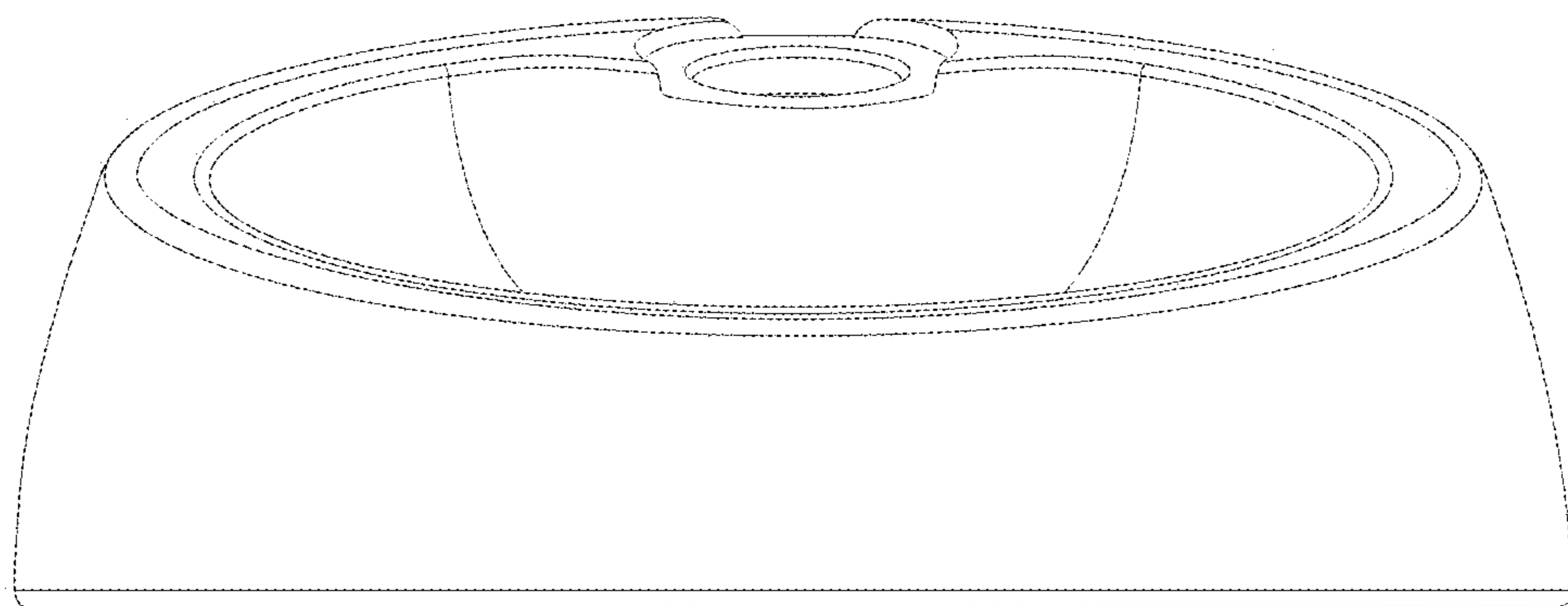


FIG. 5

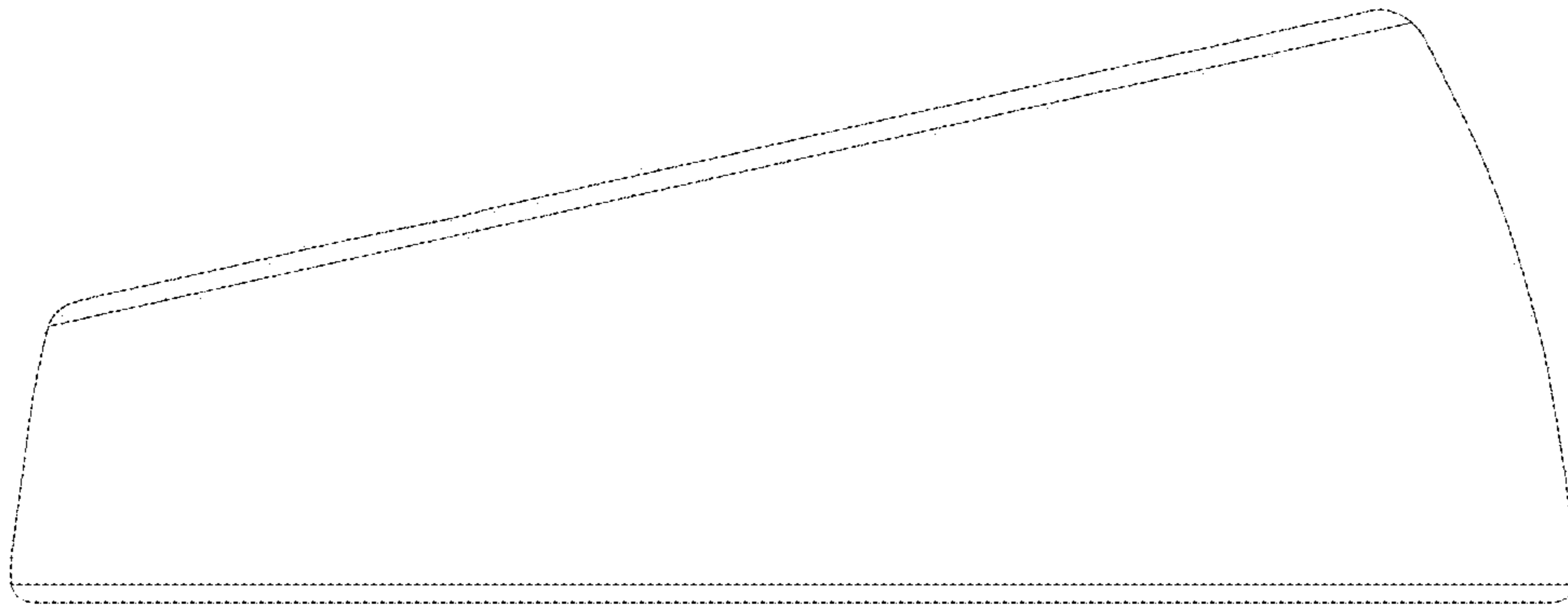


FIG. 6

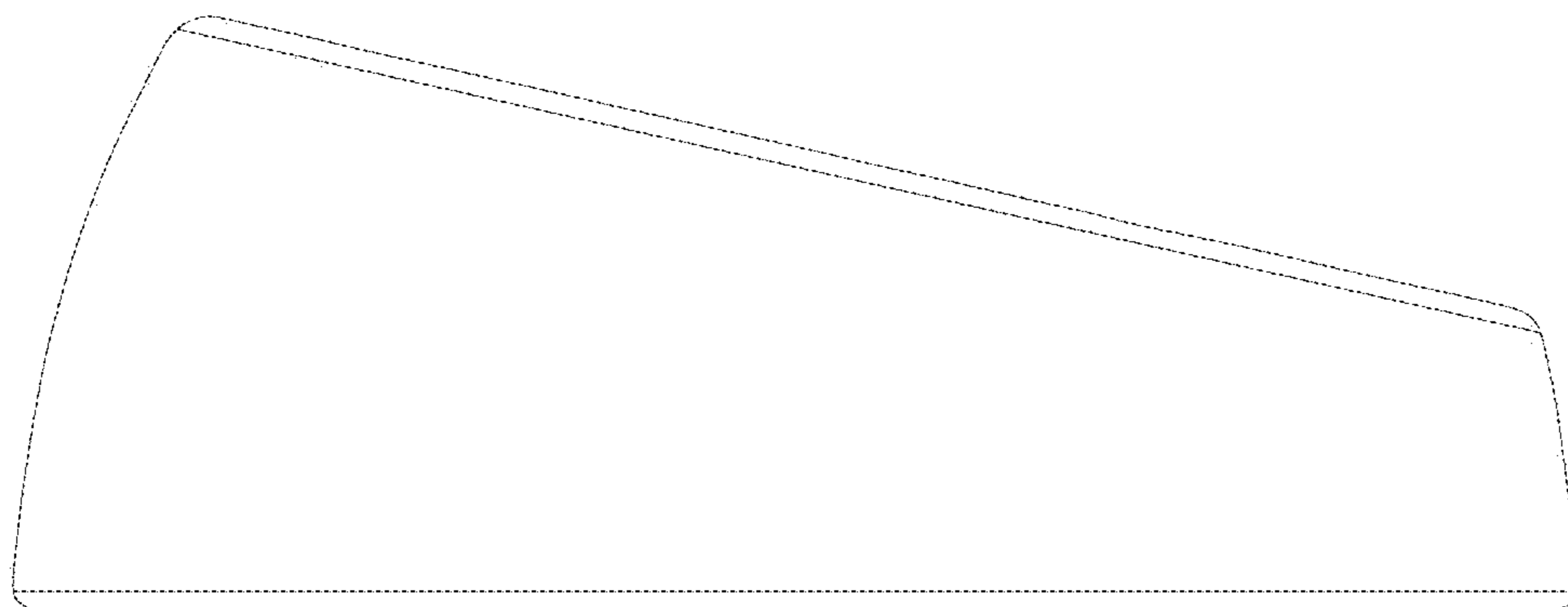


FIG. 7

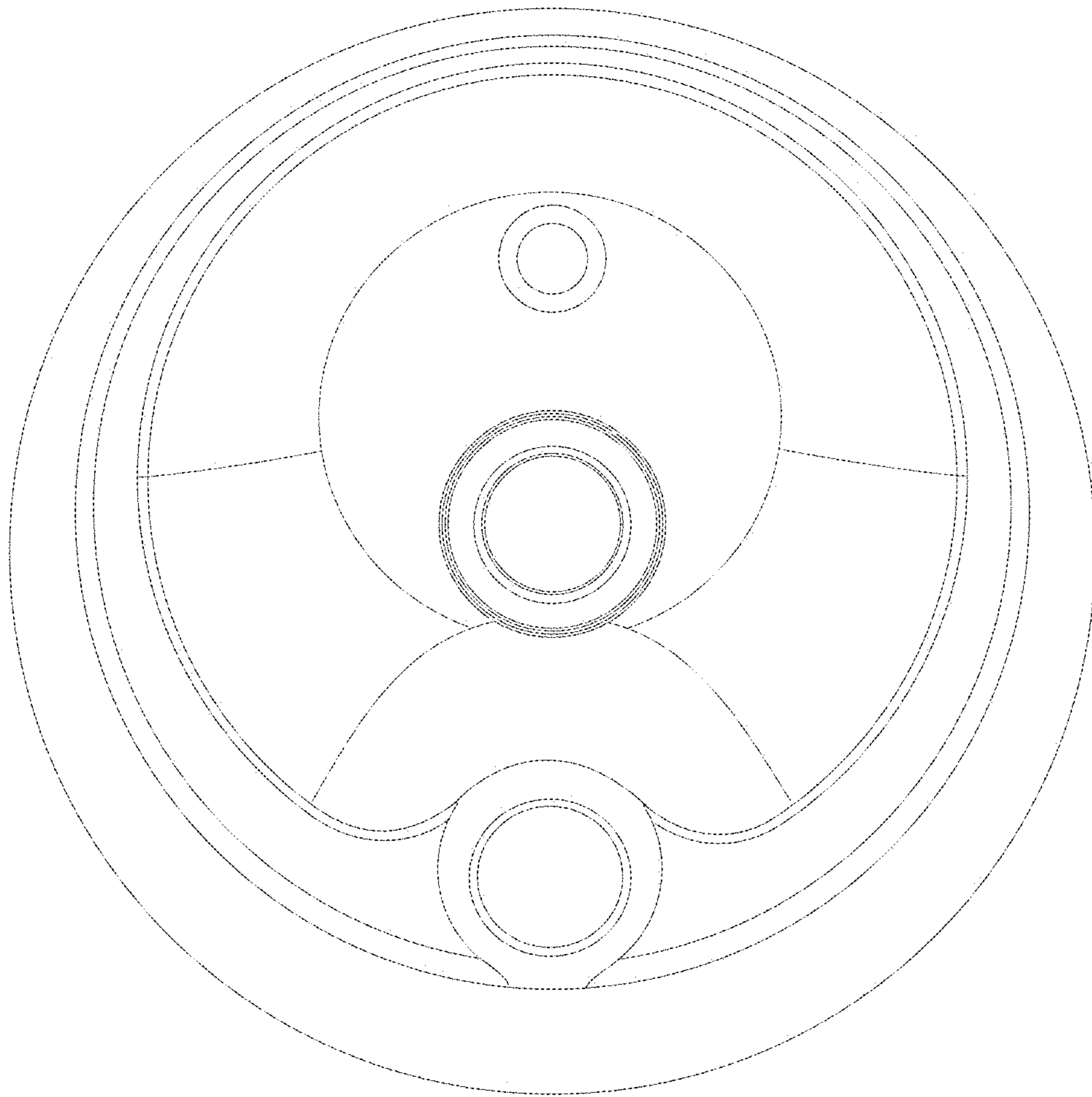


FIG. 8