



US00D932824S

(12) **United States Design Patent**
Sarnoff et al.

(10) **Patent No.:** **US D932,824 S**
(45) **Date of Patent:** **** Oct. 12, 2021**

- (54) **PAN**
- (71) Applicant: **HFA, INC.**, Wheeling, IL (US)
- (72) Inventors: **Brad Sarnoff**, Highland Park, IL (US);
Norton Sarnoff, Northbrook, IL (US);
Raj Patel, Kildeer, IL (US)
- (73) Assignee: **HFA, Inc.**, Wheeling, IL (US)
- (**) Term: **15 Years**
- (21) Appl. No.: **29/708,710**
- (22) Filed: **Oct. 9, 2019**

Related U.S. Application Data

- (62) Division of application No. 29/641,286, filed on Mar. 21, 2018.
- (51) **LOC (13) Cl.** **07-02**
- (52) **U.S. Cl.**
USPC **D7/359**
- (58) **Field of Classification Search**
USPC D7/323, 338, 352, 354, 355, 356, 357,
D7/358, 359, 360, 361, 362, 363, 364,
D7/365, 366, 367, 402, 407, 409;
D9/736, 749, 755, 758, 760, 456
CPC .. A21B 3/00; A21B 3/13; A21B 3/131; A21B
3/132; A21B 3/135; A21B 3/136; A21B
3/137; A21B 3/15; A21B 5/00; A21B
5/02; A21B 5/04; A47J 27/00; A47J
36/00; A47J 36/02; A47J 36/06; A47J
36/16; A47J 36/24; A47J 36/022; A47J
36/027; A47J 37/00; A47J 37/01; A47J
37/04; A47J 37/06; A47J 37/10; A47J
37/07; A47J 37/0781; A47J 43/20
See application file for complete search history.

(56) **References Cited**

U.S. PATENT DOCUMENTS

- 2,960,255 A * 11/1960 Blane B65D 77/2008
220/618
- 3,142,413 A * 7/1964 Grogel B65D 77/2008
220/618

3,155,304 A 11/1964 Beerend
3,516,597 A * 6/1970 Bigelow B65D 1/34
229/125.36

(Continued)

FOREIGN PATENT DOCUMENTS

CA 186258 * 5/2018

OTHER PUBLICATIONS

Full Curl Packaging, announced © 2018 [online], retrieved Oct. 1, 2020, retrieved from internet, <https://www.handi-foil.com/hfa/full-curl/>.*

(Continued)

Primary Examiner — Dana K Weiland
Assistant Examiner — Messina L Smith
(74) *Attorney, Agent, or Firm* — Adam K. Sacharoff;
Much Shelist, P.C.

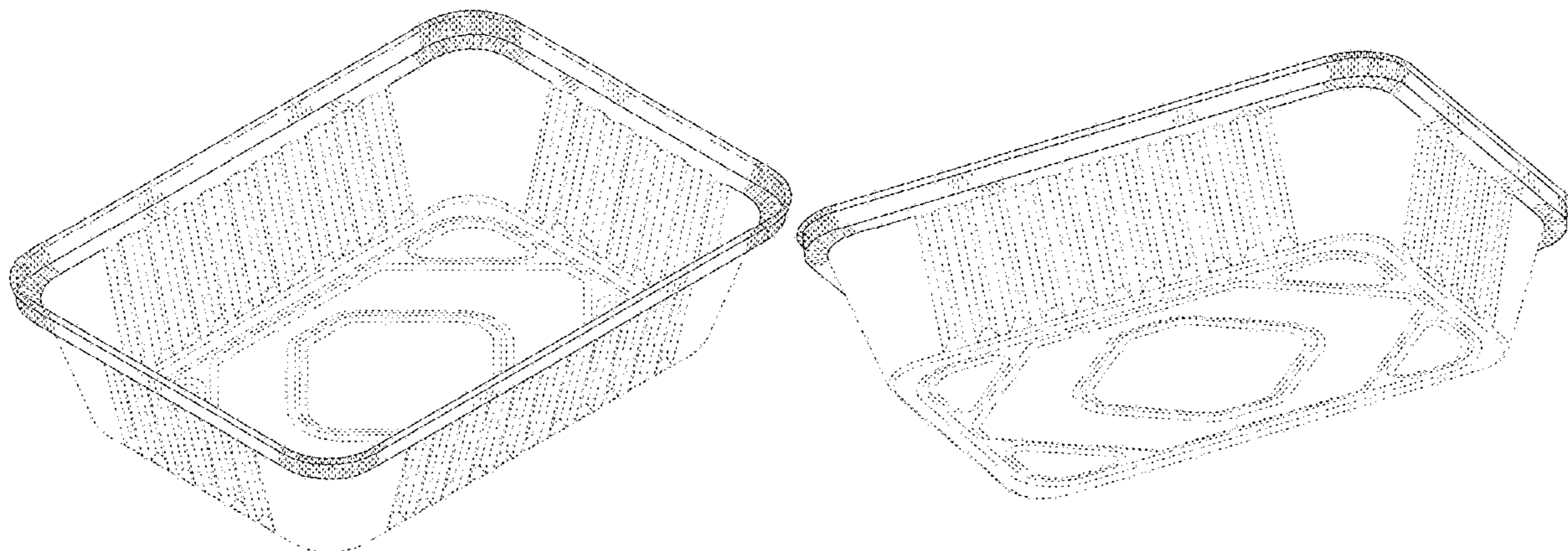
(57) **CLAIM**

The ornamental design for a pan, as shown and described.

DESCRIPTION

FIG. 1 is a front side perspective view of the pan showing the new design;
FIG. 2 is a bottom perspective view thereof;
FIG. 3 is a left side view thereof;
FIG. 4 is a right side view thereof;
FIG. 5 is a front view thereof;
FIG. 6 is a rear side view thereof;
FIG. 7 is a top plan view thereof; and,
FIG. 8 is a bottom plan view thereof.
The broken lines shown in the drawings depict portion of the pan that form no part of the claimed design.

1 Claim, 6 Drawing Sheets



(56)

References Cited

U.S. PATENT DOCUMENTS

4,616,762 A * 10/1986 Alexander A47J 36/022
206/503
4,749,097 A * 6/1988 Rosman A21B 3/13
220/4.21
RE33,447 E * 11/1990 Rosman A21B 3/13
220/4.21
D344,658 S * 3/1994 Arkoosh, Jr. D7/359
D374,819 S 10/1996 Wells
6,149,053 A 11/2000 Chatterton
6,293,458 B1 * 9/2001 Sarnoff A47J 36/022
220/573.1
D502,045 S * 2/2005 Isler D7/354
D592,500 S 5/2009 Colacitti
D595,128 S * 6/2009 Bouveret D7/545
D649,050 S 11/2011 Sarnoff
D653,496 S 2/2012 Henry
D653,901 S 2/2012 Sarnoff
D663,570 S 7/2012 Sarnoff
D687,704 S 8/2013 Knight
9,510,699 B1 12/2016 Miller
D794,378 S * 8/2017 Sarnoff D7/359
D800,491 S * 10/2017 Sarnoff D7/359
D800,492 S * 10/2017 Sarnoff D7/359
D804,239 S 12/2017 Sarnoff
D826,622 S 8/2018 Shah
D839,656 S 2/2019 Patel
D839,657 S 2/2019 Patel
D841,462 S 2/2019 Kui
D842,641 S 3/2019 Demers

D845,062 S 4/2019 Hunter
2006/0049189 A1 * 3/2006 Golden A47J 36/027
219/725
2015/0136633 A1 5/2015 Sarnoff
2017/0190498 A1 * 7/2017 Walsh B65D 81/265
2020/0268206 A1 * 8/2020 Sarnoff B65D 77/003

OTHER PUBLICATIONS

HFA Handi-Foil 13"x9" Oblong Aluminum Foil Disposable Cake Pan, announced © 2020 [online], retrieved Oct. 1, 2020, retrieved from internet, <https://www.sears.com/handi-foil-handi-foil-13inch-x-9inch-oblong/p-SPM14662047232>.
Choice 1 lb. Oblong Foil Take-Out Container, announced May 14, 2020 [online], retrieved Oct. 1, 2020, retrieved from internet, https://www.webrestaurantstore.com/choice-1-lb-oblong-foil-take-out-container-case/612OBI.LB.html?utm_source=google&utm_medium=cpc&utm_campaign=.
Handi-Foil 13"x9" Oblong Aluminum Foil Disposable Cake Pan, posted May 12, 2017 [online], retrieved Sep. 11, 2019, retrieved from internet, https://www.amazon.com/Handi-Foil-Oblong-Aluminum-Disposable-Clear/dp/801MDT590X?ref_ast_bbp_dp&th=1 (Year: 2017).
Rectangular Disposable Aluminum Foil Pan, posted Apr. 19, 2017 [online], retrieved Sep. 11, 2019, retrieved from internet, See Correspondence for web address. (Year: 2017).
Office Action, Copending U.S. Appl. No. 29/641,286, dated Sep. 19, 2019.

* cited by examiner

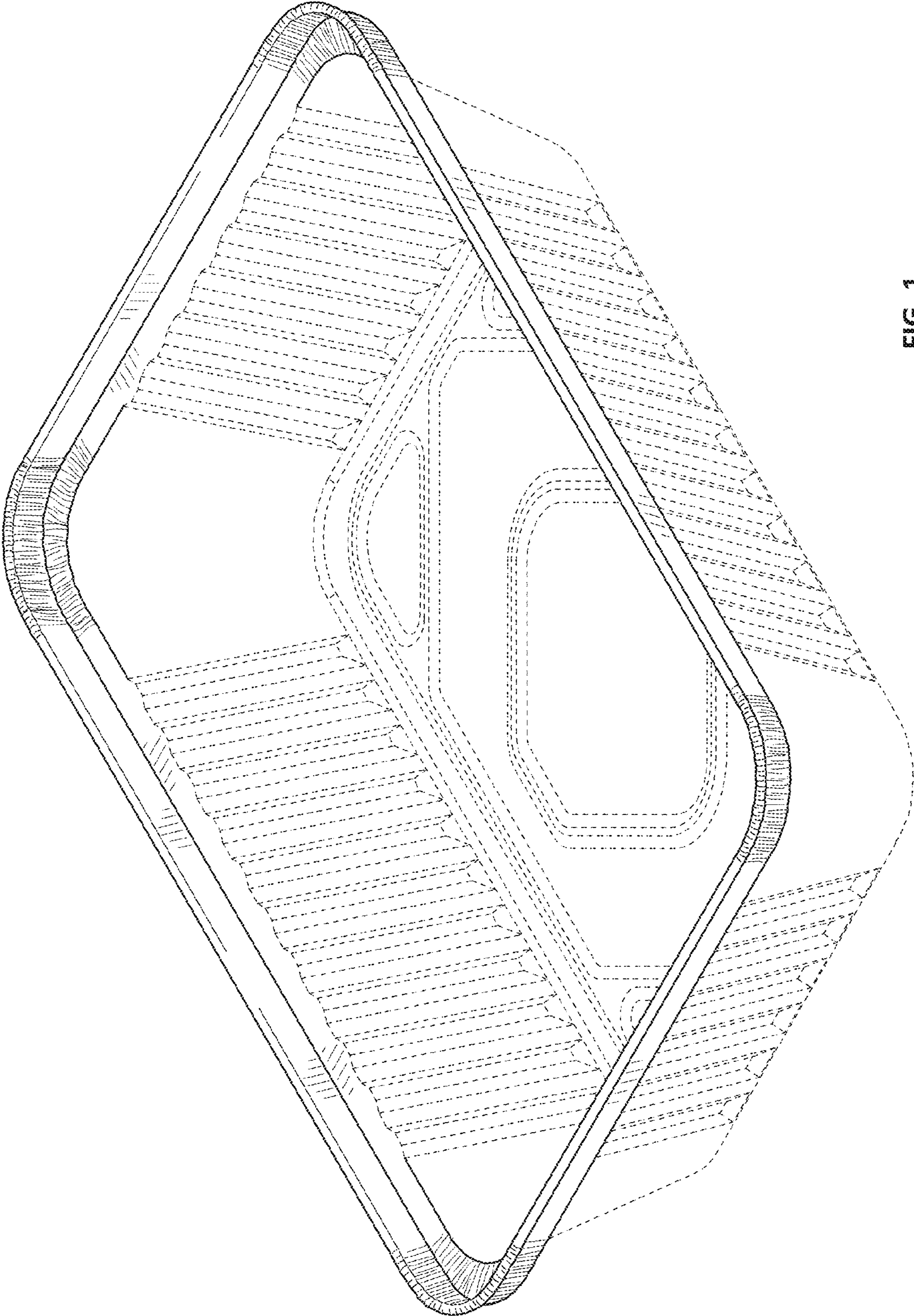


FIG. 1

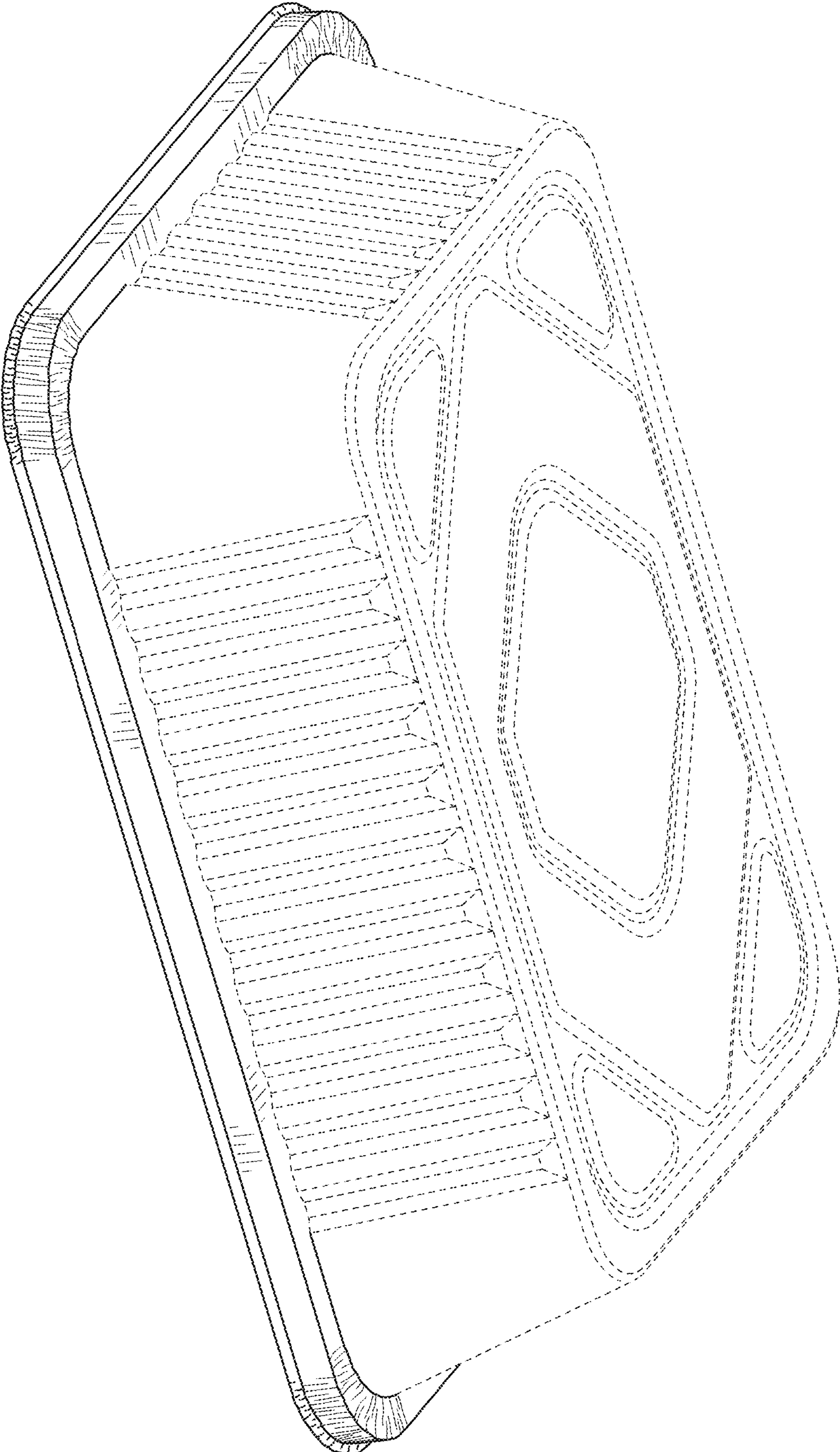


FIG. 2

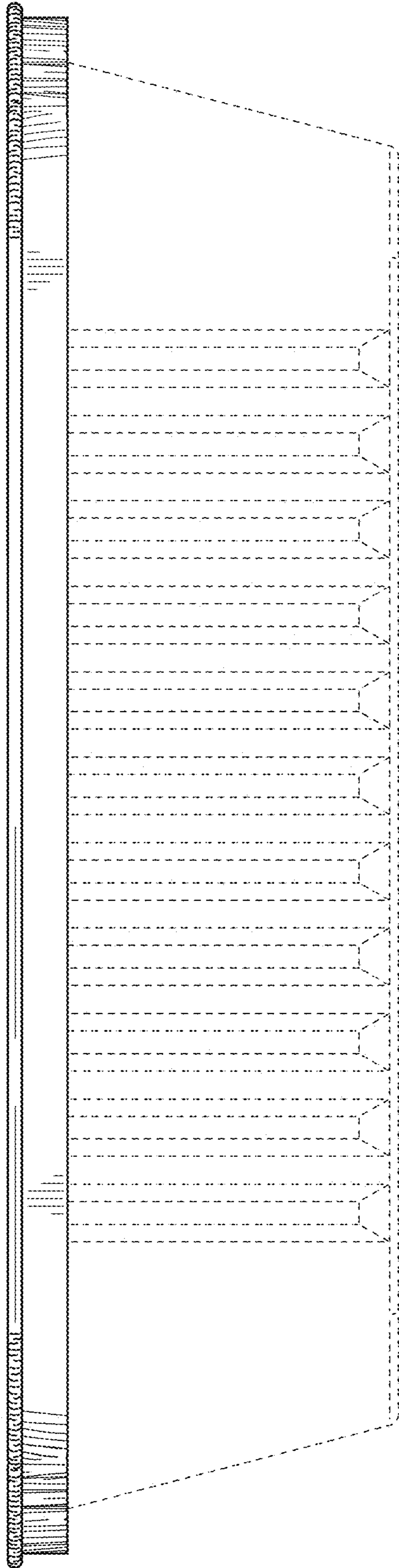


FIG. 3

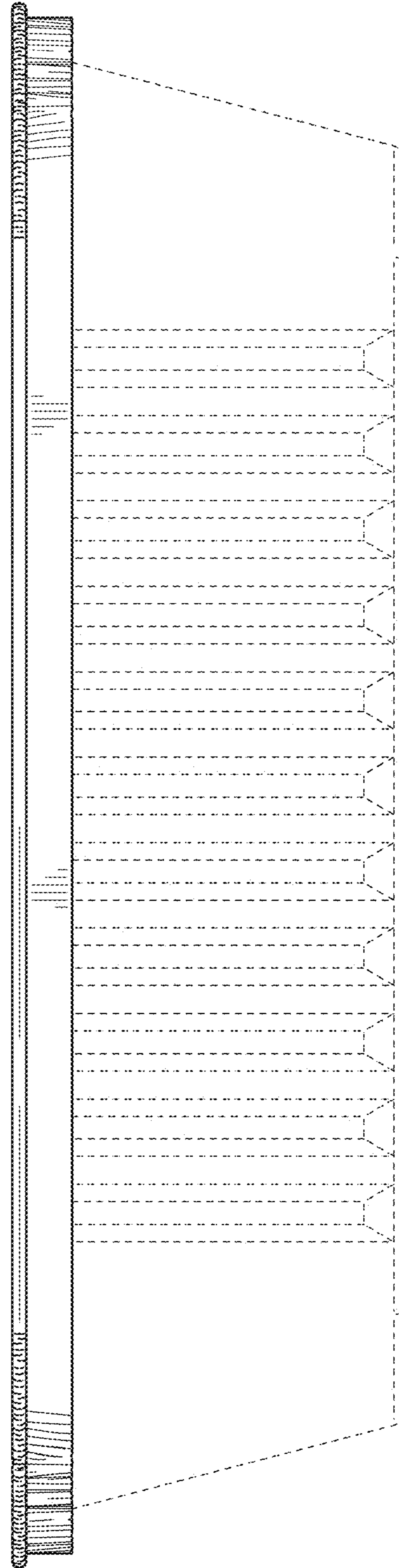


FIG. 4

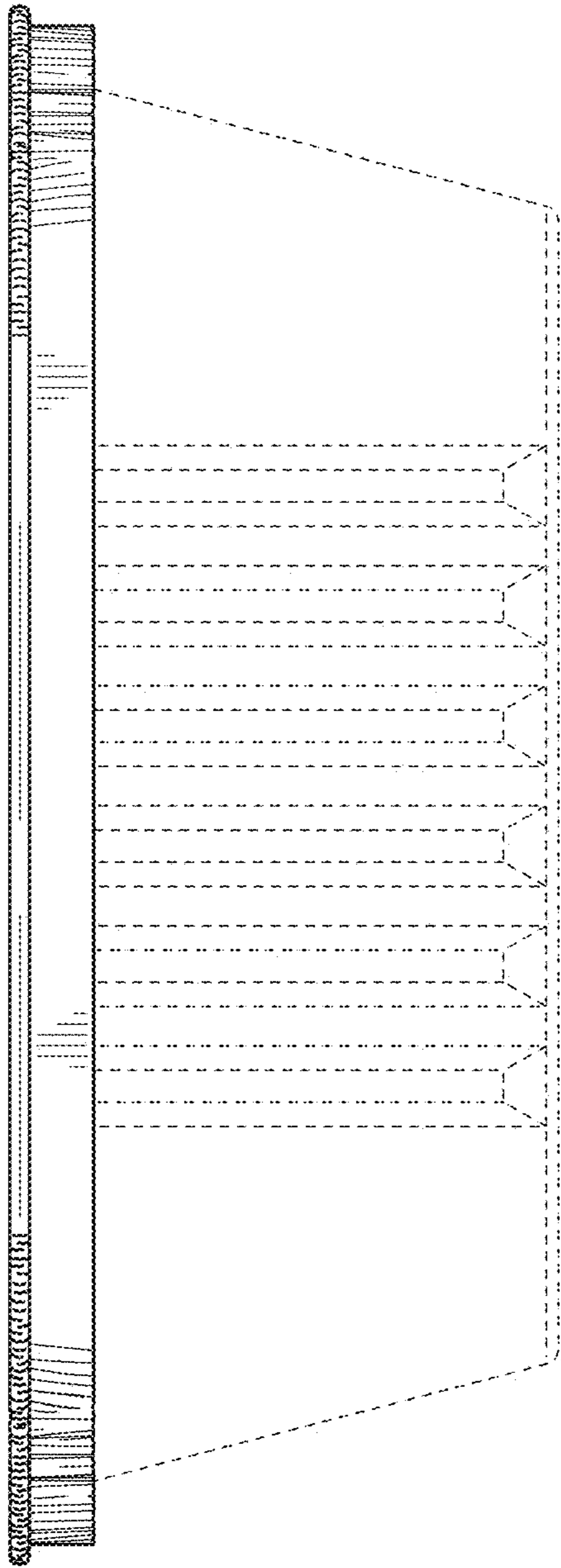


FIG. 5

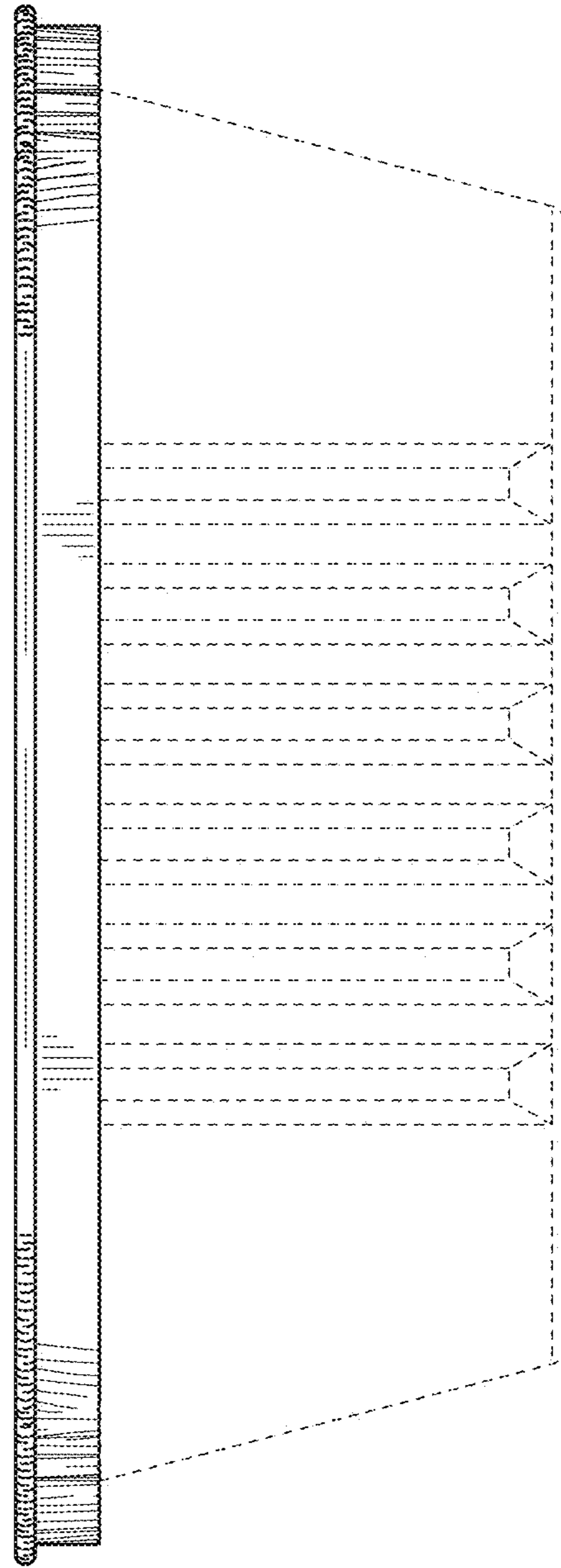


FIG. 6

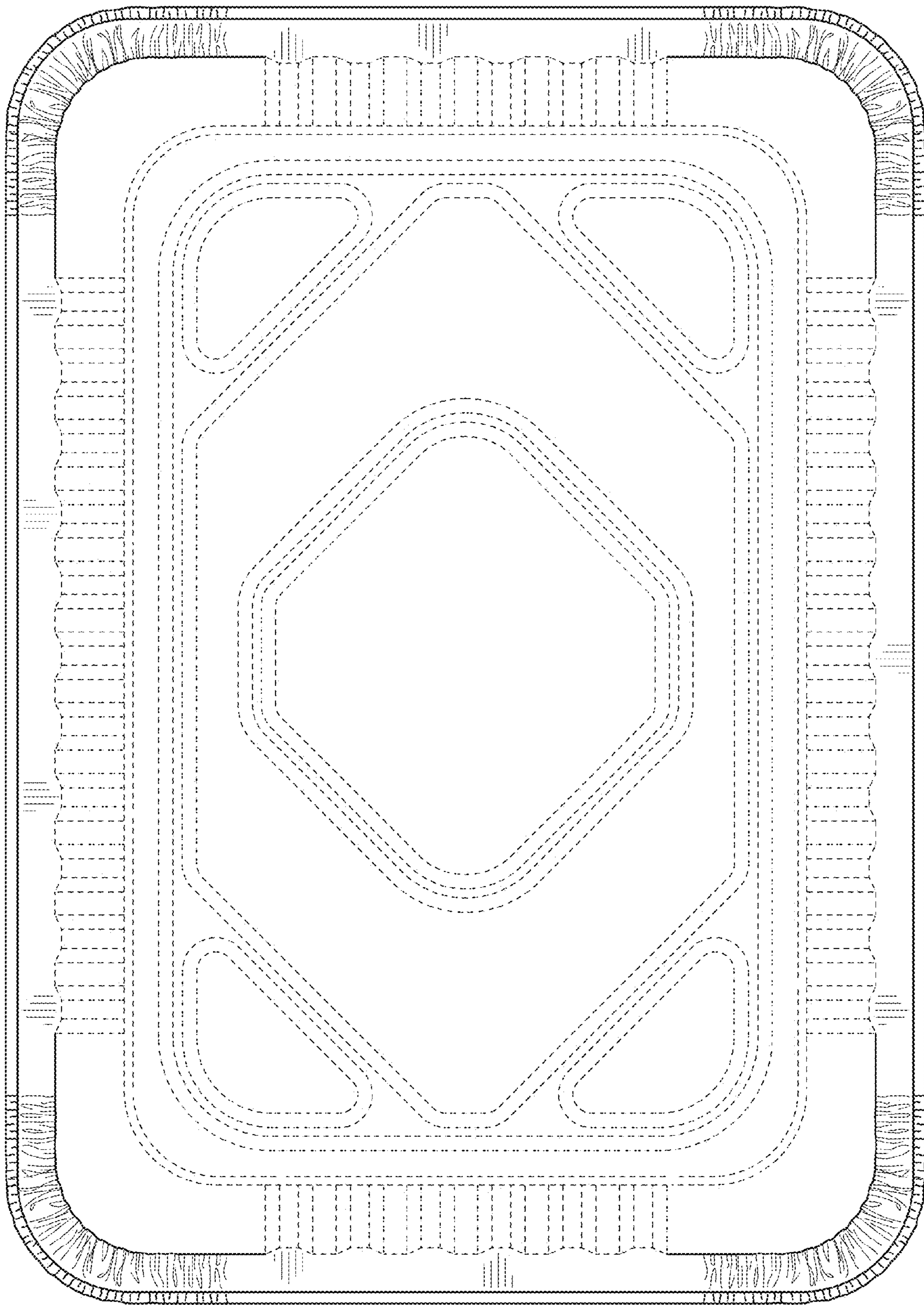


FIG. 7

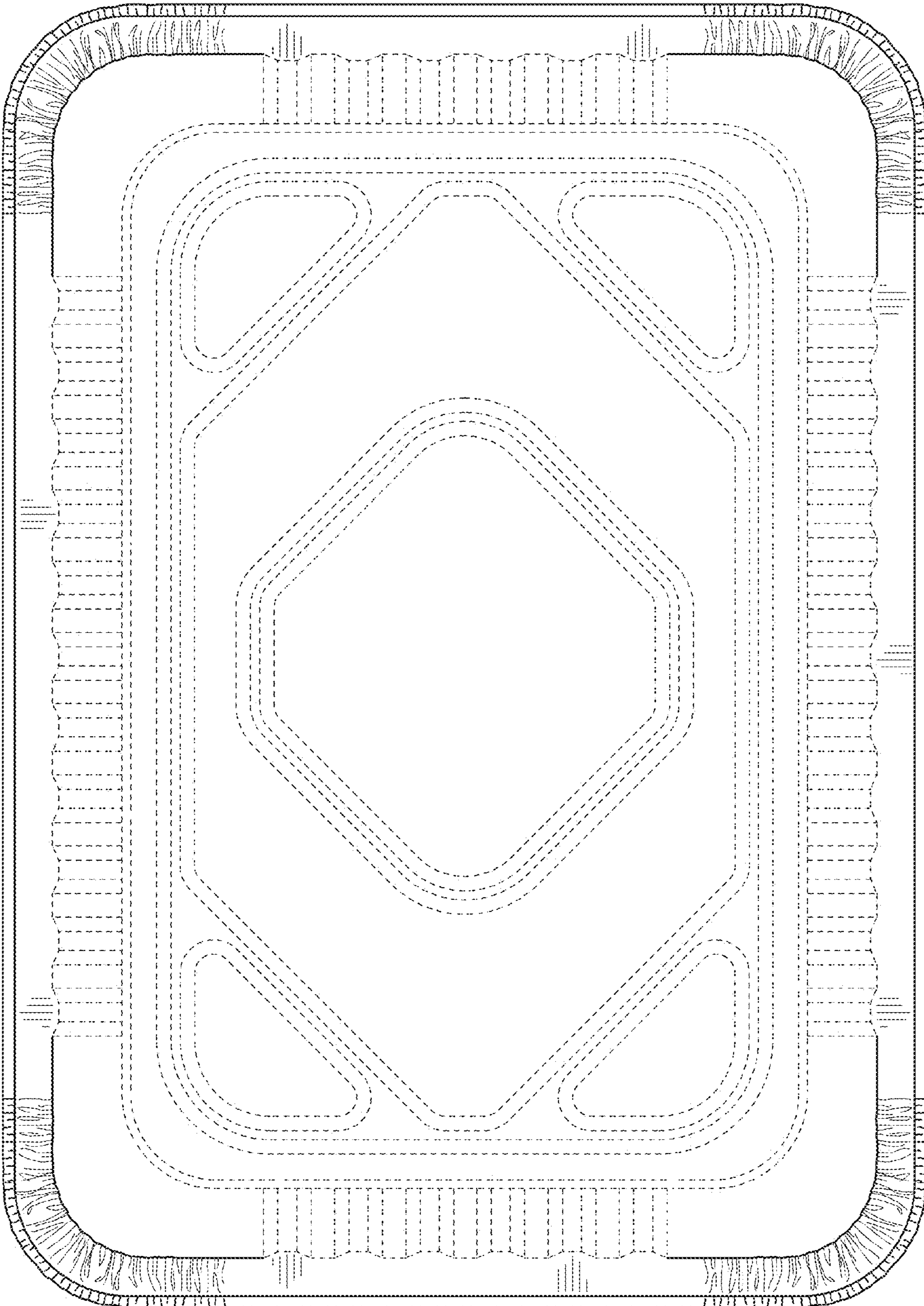


FIG. 8