



US00D932823S

(12) **United States Design Patent** (10) **Patent No.:** **US D932,823 S**
Gauss (45) **Date of Patent:** **** Oct. 12, 2021**

(54) **COLLAPSIBLE CAMP STOVE**

(71) Applicant: **GSI Outdoors, Inc.**, Spokane, WA (US)

(72) Inventor: **Kurt F. Gauss**, Spokane, WA (US)

(73) Assignee: **GSI Outdoors, Inc.**, Spokane, WA (US)

(**) Term: **15 Years**

(21) Appl. No.: **29/755,025**

(22) Filed: **Oct. 16, 2020**

Related U.S. Application Data

(63) Continuation-in-part of application No. 16/875,674, filed on May 15, 2020.

(51) **LOC (13) Cl.** **07-02**

(52) **U.S. Cl.**
USPC **D7/337**

(58) **Field of Classification Search**
USPC D7/332-337, 402-409, 352, 353, D7/360-362; D23/415

CPC A47J 37/0704; A47J 37/0763; A47J 37/07; A47J 37/0786; A47J 2037/0777; A47J 37/0713; F24C 3/14; F24C 1/16; F24C 5/20

See application file for complete search history.

(56) **References Cited**

U.S. PATENT DOCUMENTS

3,361,298 A * 1/1968 Trumble F24C 5/20 222/5
D227,850 S * 7/1973 Benson D7/337
D245,220 S * 8/1977 Chan D7/337
D406,722 S * 3/1999 Benton D7/362

(Continued)

OTHER PUBLICATIONS

Primus Equipment, Kinjia, Dec. 17, 2015, Youtube, <https://www.youtube.com/watch?v=x08uEc97vRE> (Year: 2015).*

(Continued)

Primary Examiner — Brett Miller

(74) *Attorney, Agent, or Firm* — Randall Danskin P.S.

(57) **CLAIM**

The ornamental design for the collapsible camp stove, as shown and described.

DESCRIPTION

FIG. 1 is an isometric front, top and first side view of the collapsible camp stove showing my new design in an open/use configuration.

FIG. 2 is an orthographic front view thereof.

FIG. 3 is an orthographic second side view thereof.

FIG. 4 is an orthographic rear view thereof.

FIG. 5 is an orthographic first side view thereof.

FIG. 6 is a top plan view thereof.

FIG. 7 is a bottom plan view thereof.

FIG. 8 is an isometric front, top and first side view, similar to that of FIG. 1 showing the lid pivoted to a partially closed position, the wind baffles pivoted to a stored position, and the cooking grate pivoted forwardly to a partially stored position.

FIG. 9 is an isometric front, top and first side view of the collapsible camp stove showing my new design in a closed/storage configuration.

FIG. 10 is an orthographic front view thereof.

FIG. 11 is an orthographic second side view thereof.

FIG. 12 is an orthographic rear view thereof.

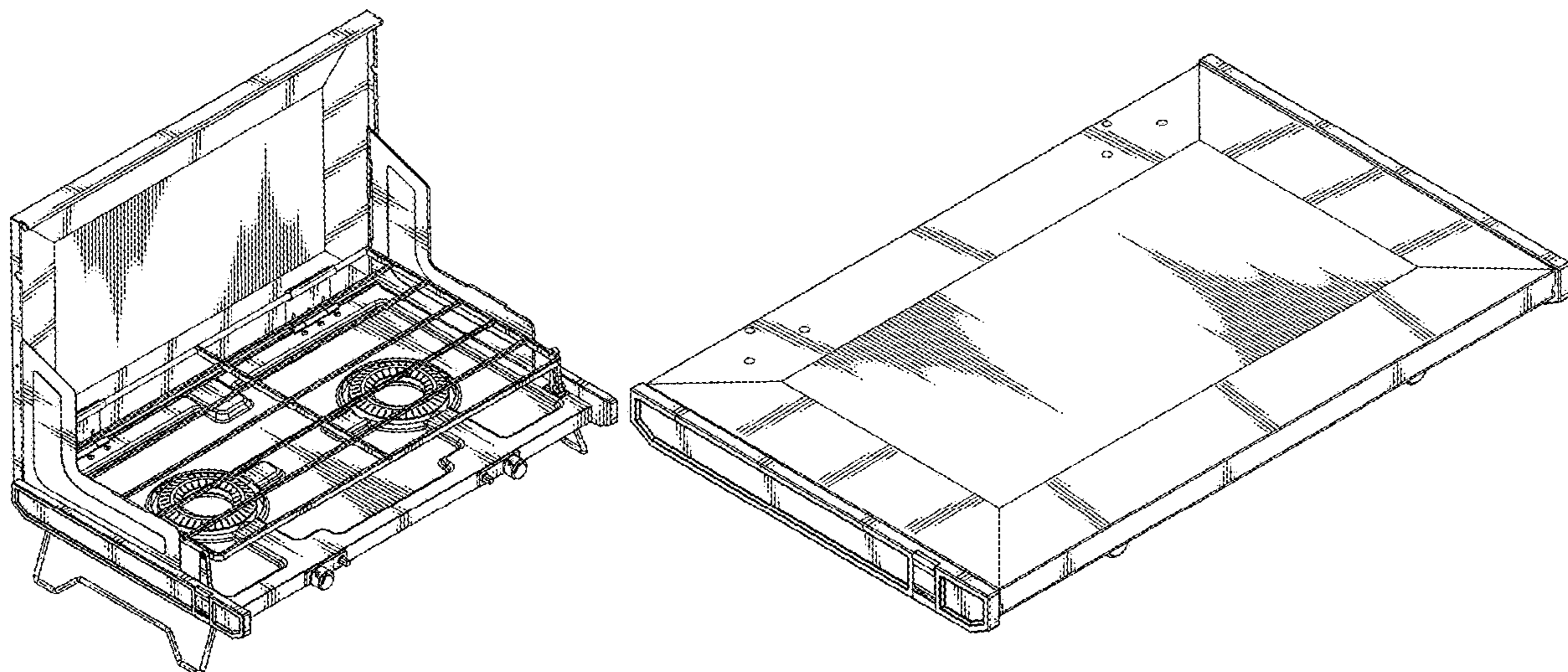
FIG. 13 is an orthographic first side view thereof.

FIG. 14 is a top plan view thereof.

FIG. 15 is a bottom plan view thereof; and,

FIG. 16 is an isometric bottom, rear and second side view of the collapsible camp stove showing the pivoting legs in a storage orientation.

1 Claim, 14 Drawing Sheets



(56)

References Cited

U.S. PATENT DOCUMENTS

5,906,196 A * 5/1999 Measom F24C 3/14
126/304 A
D412,808 S * 8/1999 Hinton D7/362
D784,064 S * 4/2017 Hebert, Jr. D7/337
D828,072 S * 9/2018 Hagstrom D7/337
D873,065 S * 1/2020 Sağiroşmanođlu et al. ... D7/352
2005/0241630 A1 * 11/2005 May F24C 3/14
126/38
2016/0356502 A1 * 12/2016 Hebert, Jr. F24C 1/16
2018/0184844 A1 * 7/2018 Hagstrom F24C 3/14

OTHER PUBLICATIONS

Editors, The Best Camping Stove on Amazon, Oct. 25, 2019, New York Magazine, <https://nymag.com/strategist/article/best-camping-stoves.html> (Year: 2019).*

Stasia Stockwell, First Look: 7 New Products for Luxe Car Camping, Jul. 5, 2019, REI, <https://www.rei.com/blog/camp/7-new-products-for-car-camping> (Year: 2019).*

Sean Tirman, This Auto-Expanding 2-Burner Camp Stove Collapses To 1.25" Thick, Jun. 28, 2019, Hiconsumption, <https://hiconsumption.com/gsi-outdoors-pinnacle-pro-camp-stove/> (Year: 2019).*

* cited by examiner

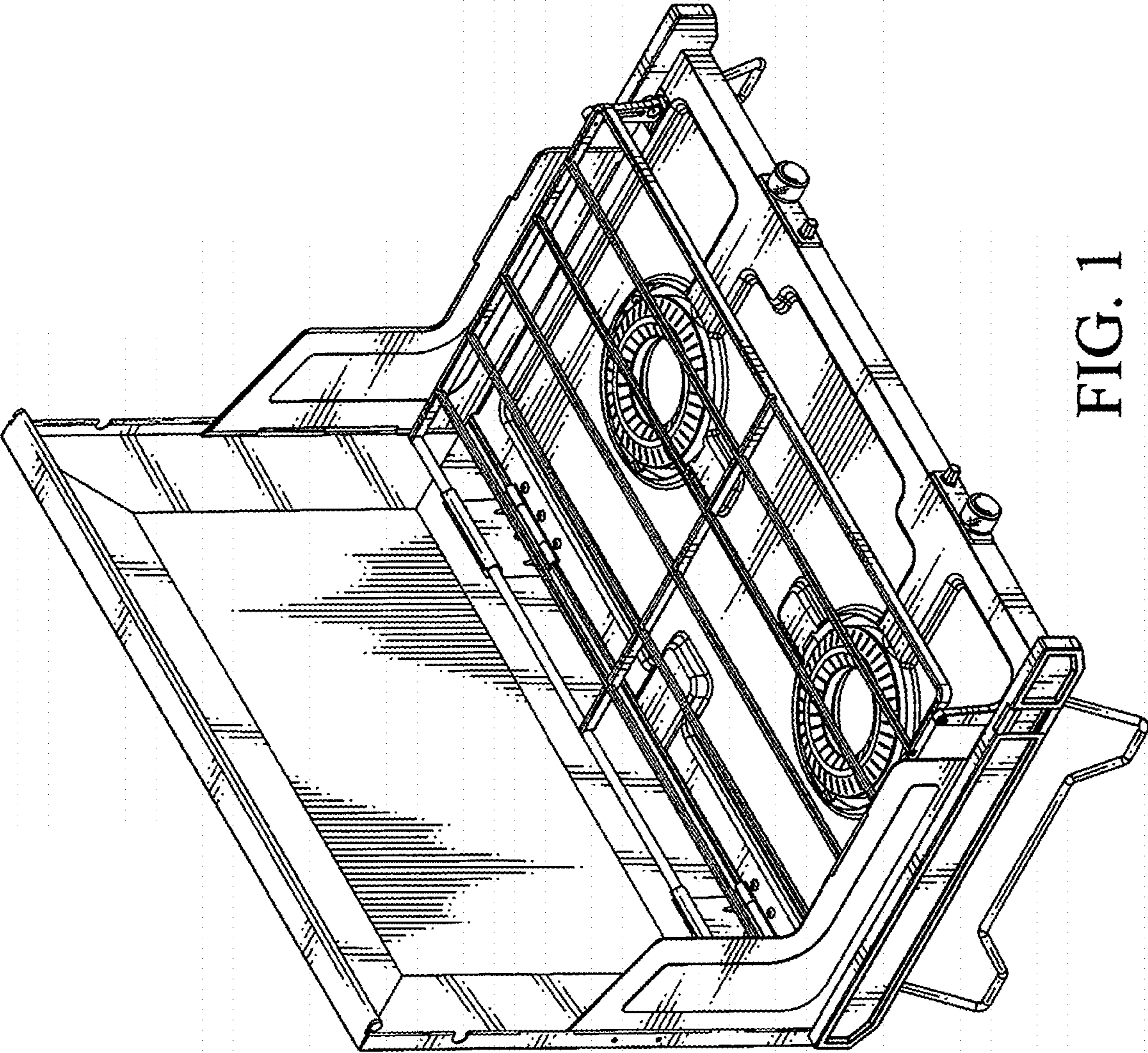


FIG. 1

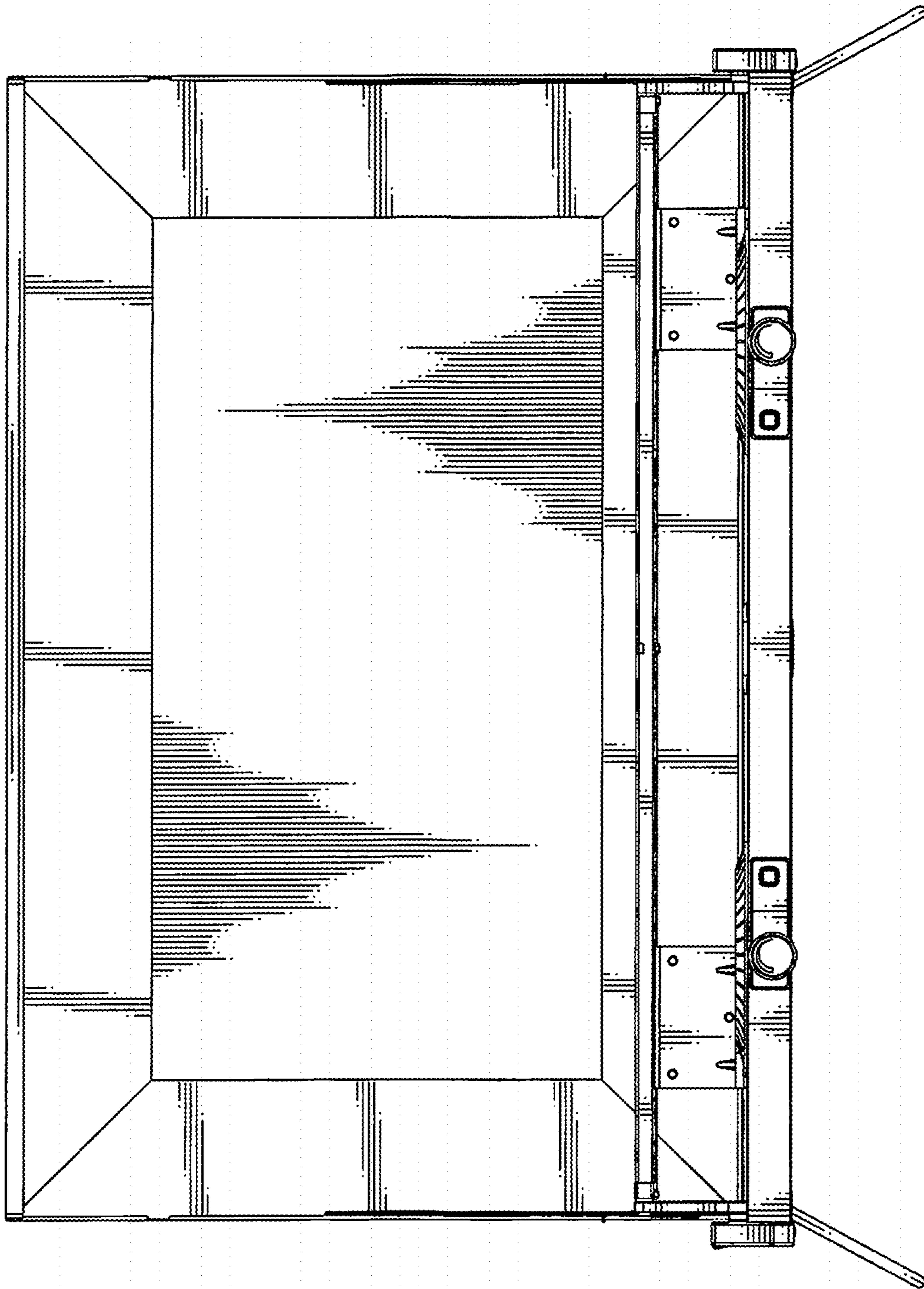


FIG. 2

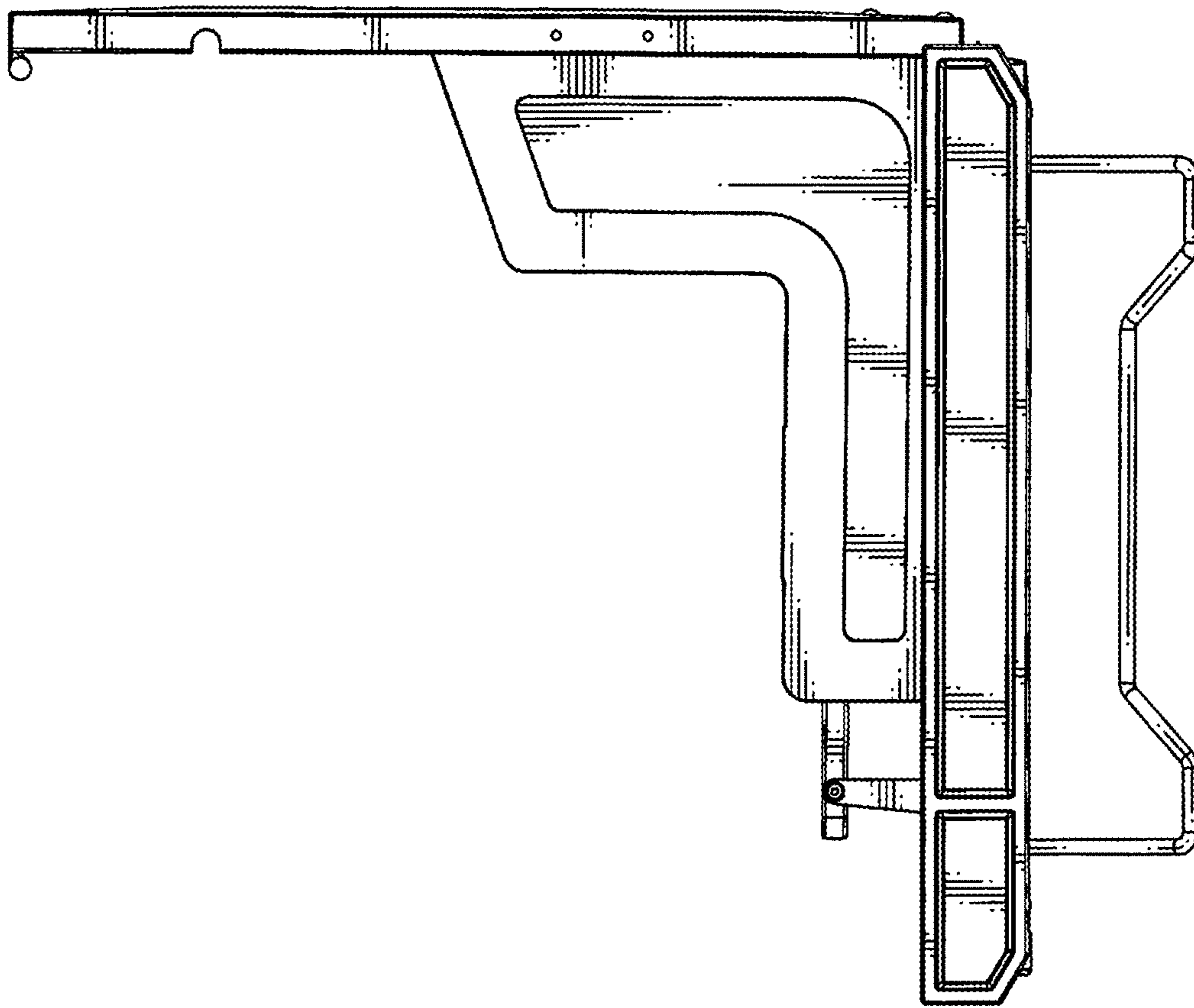


FIG. 3

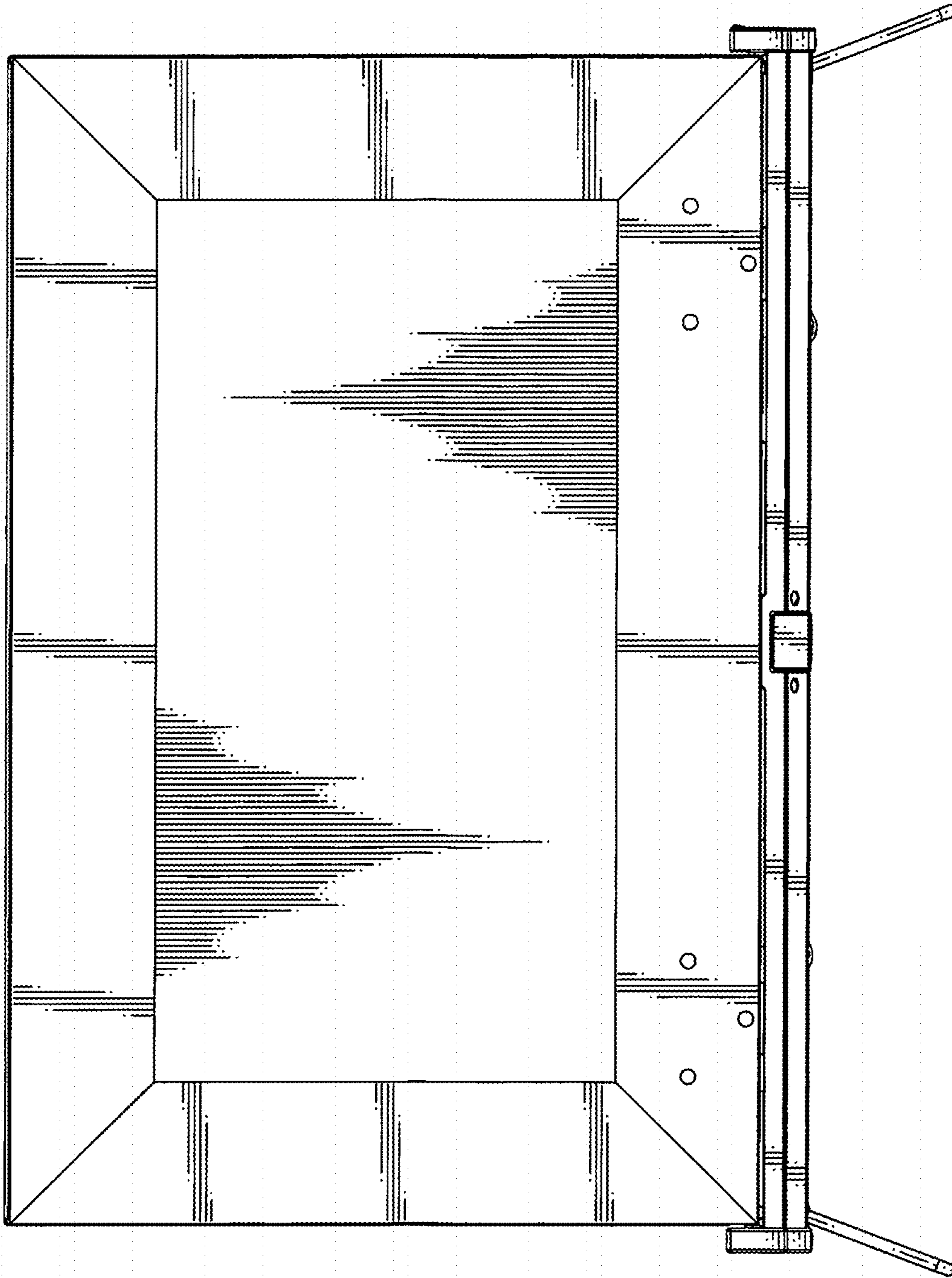


FIG. 4

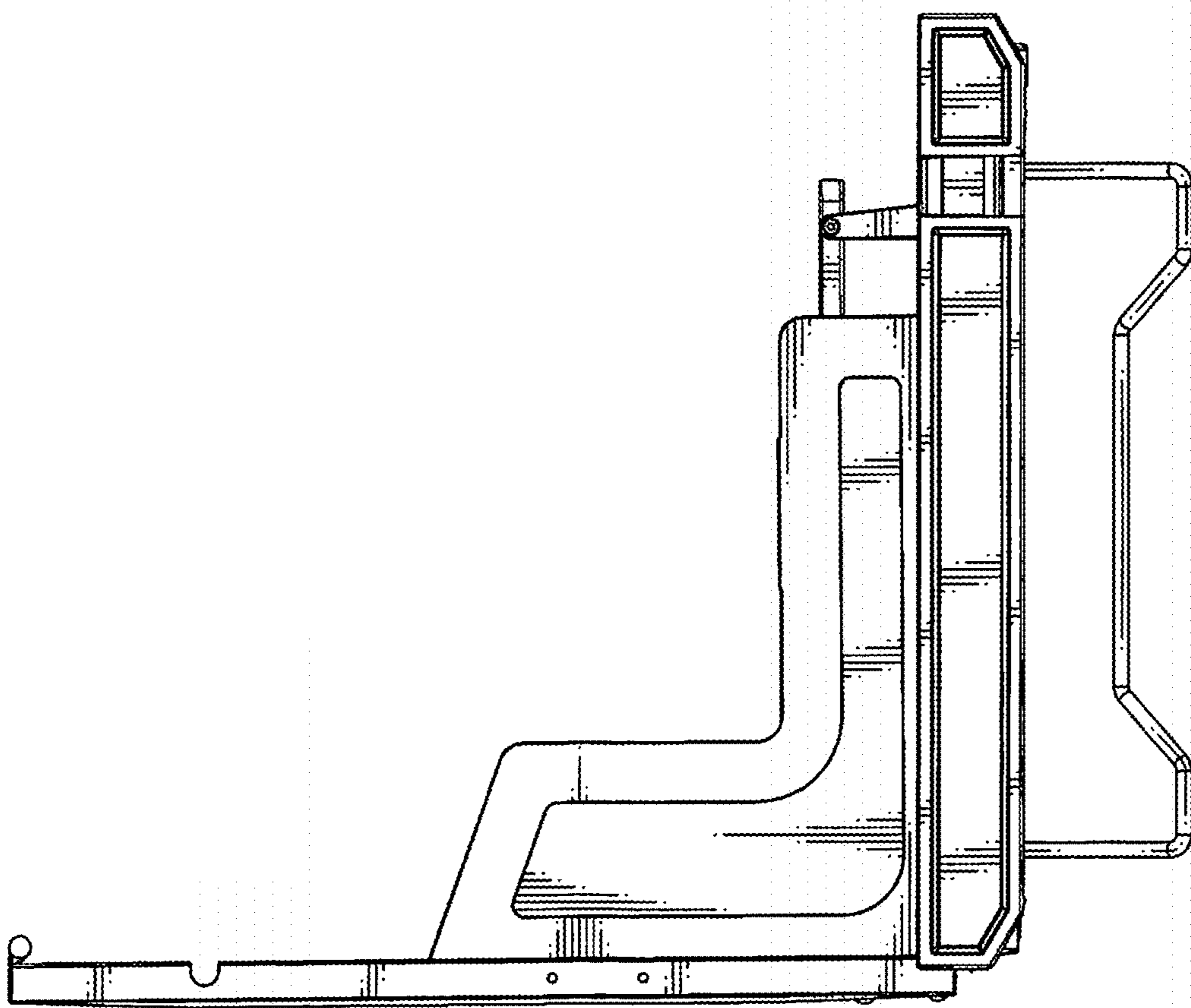


FIG. 5

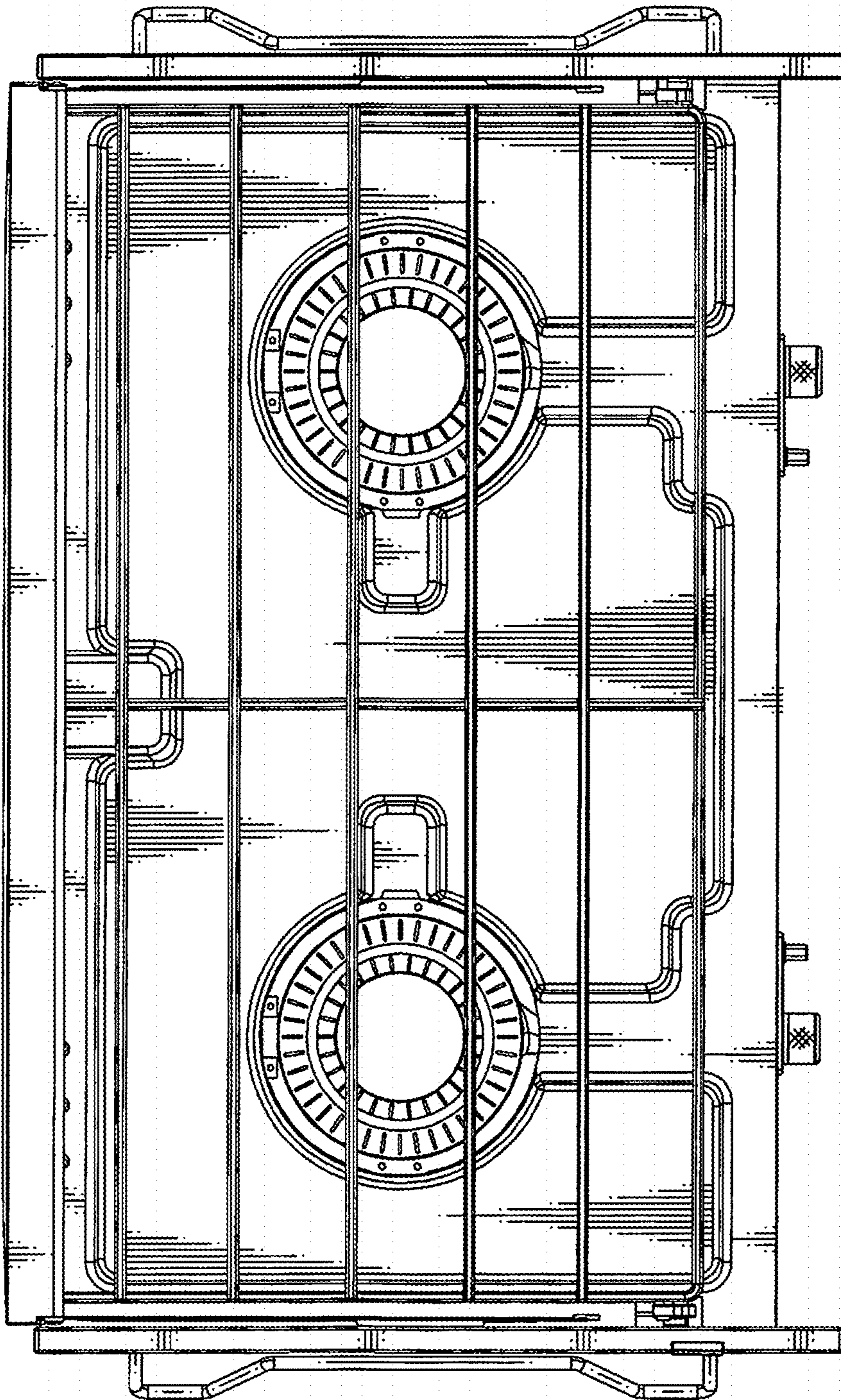


FIG. 6

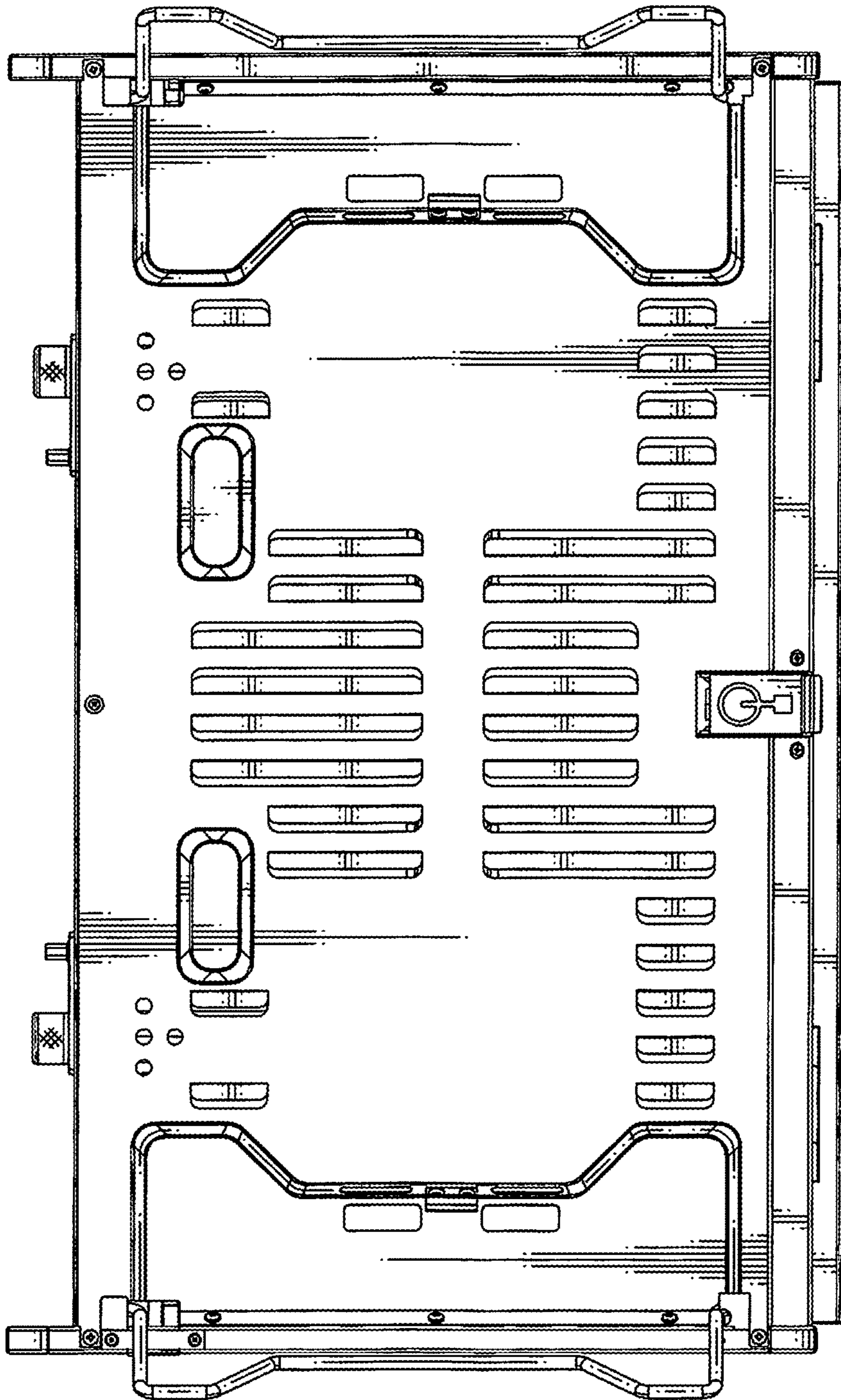


FIG. 7

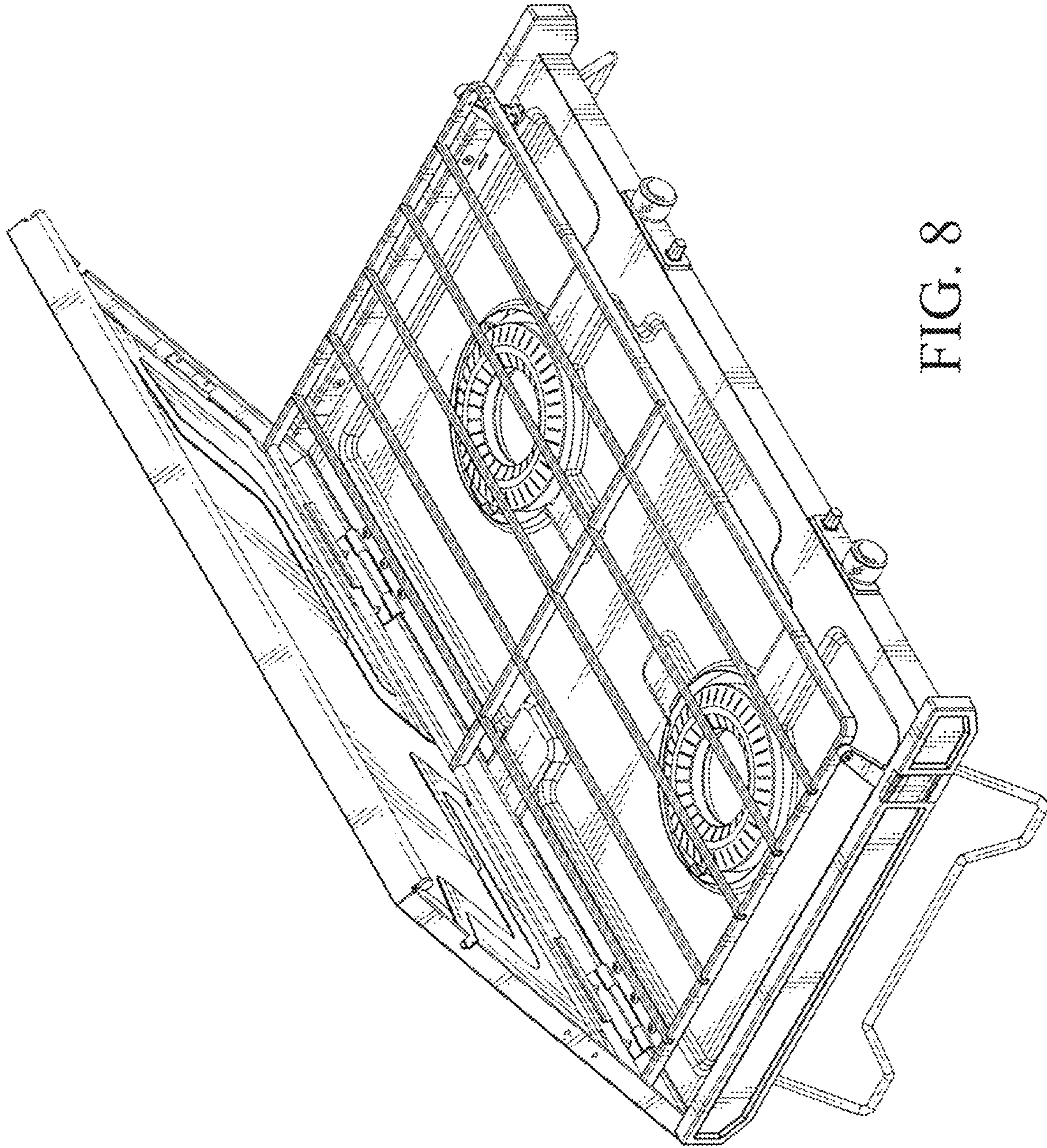


FIG. 8

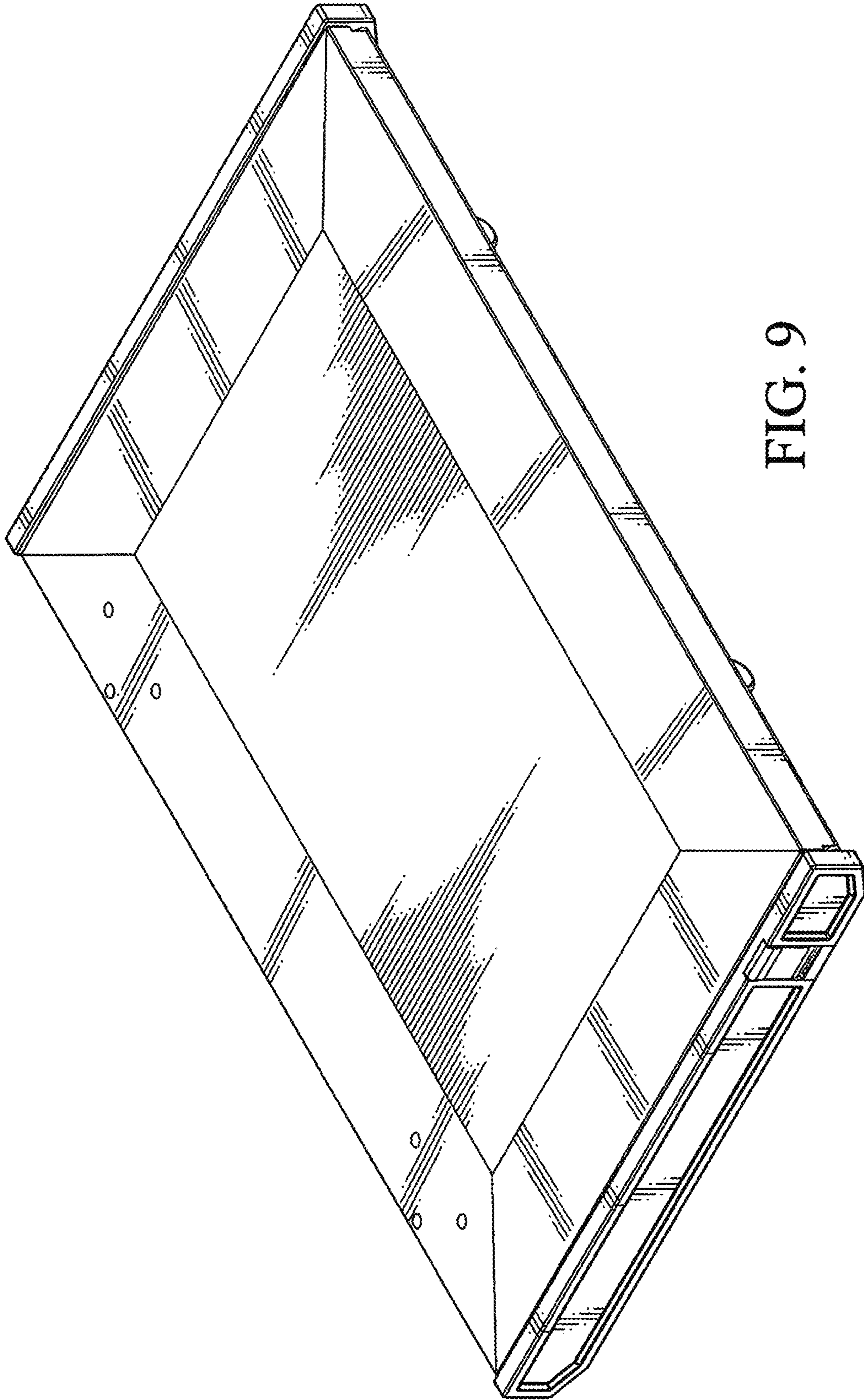


FIG. 9

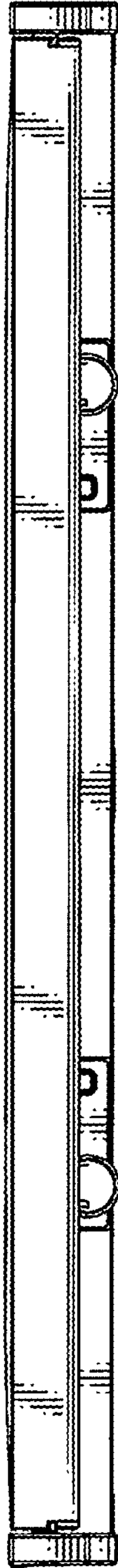


FIG. 10

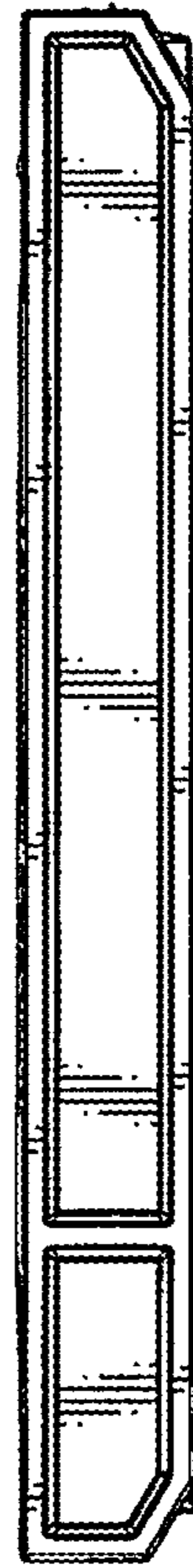


FIG. 11

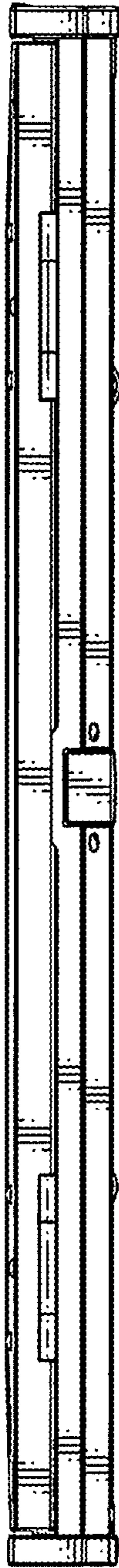


FIG. 12



FIG. 13

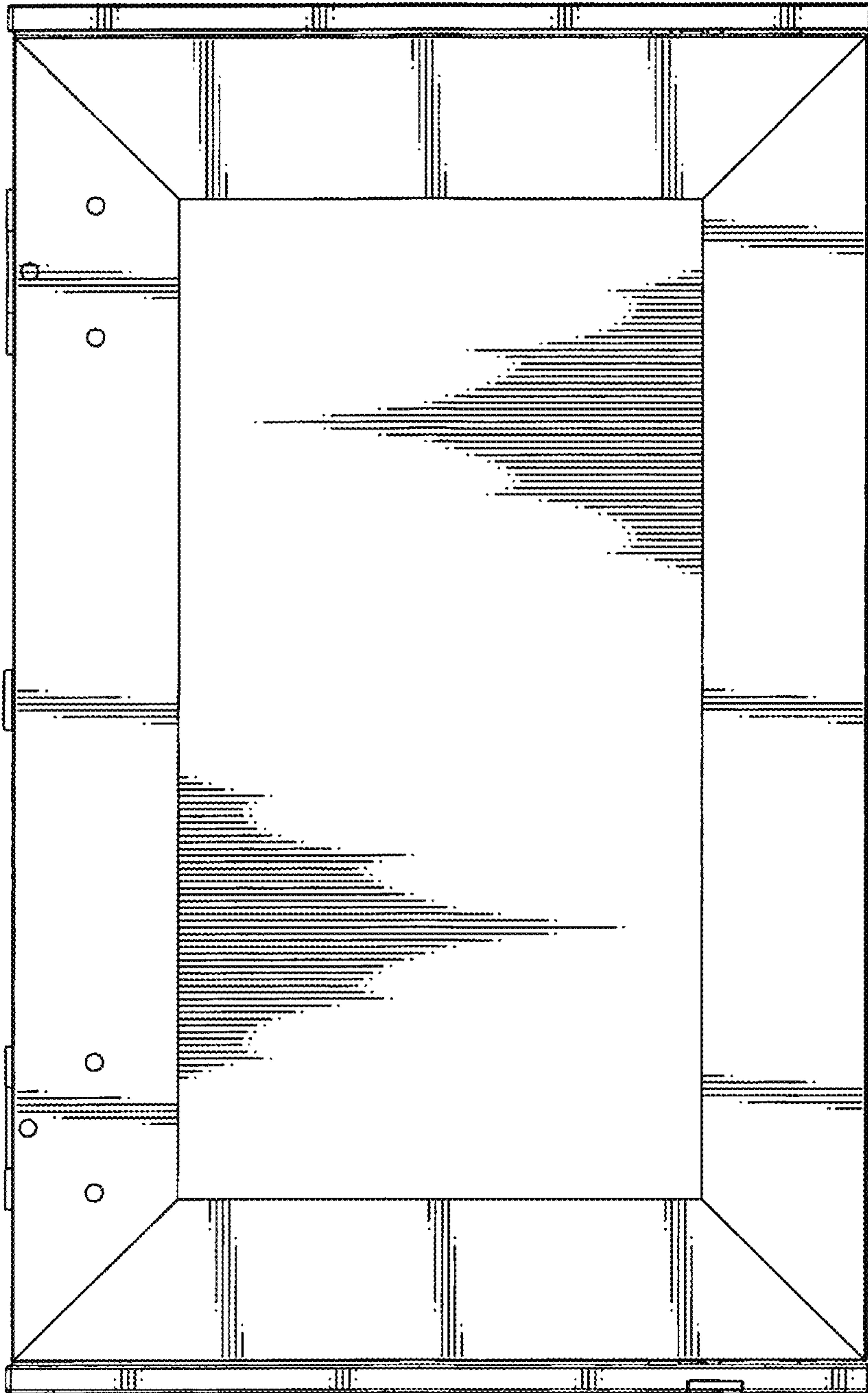


FIG. 14

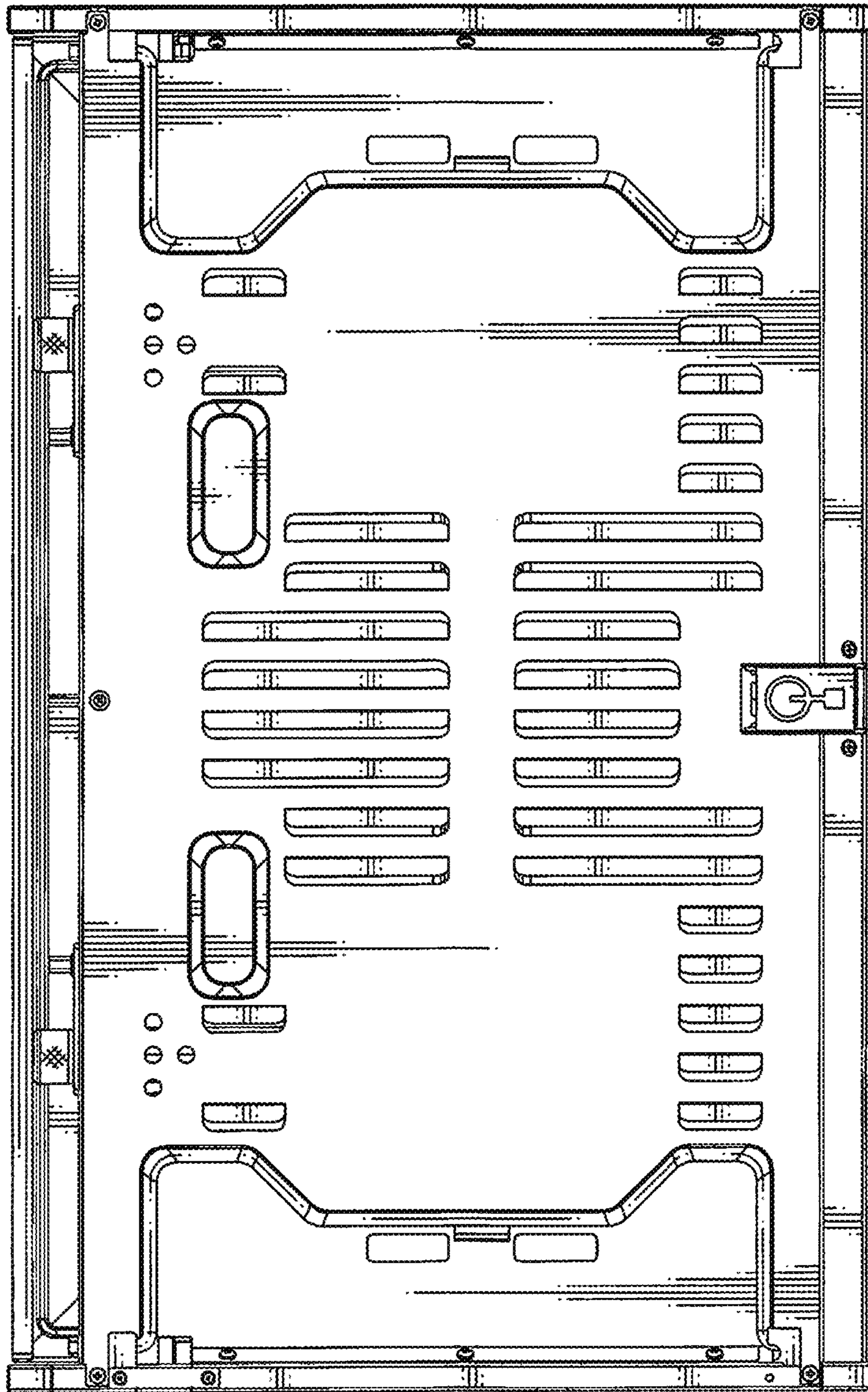


FIG. 15

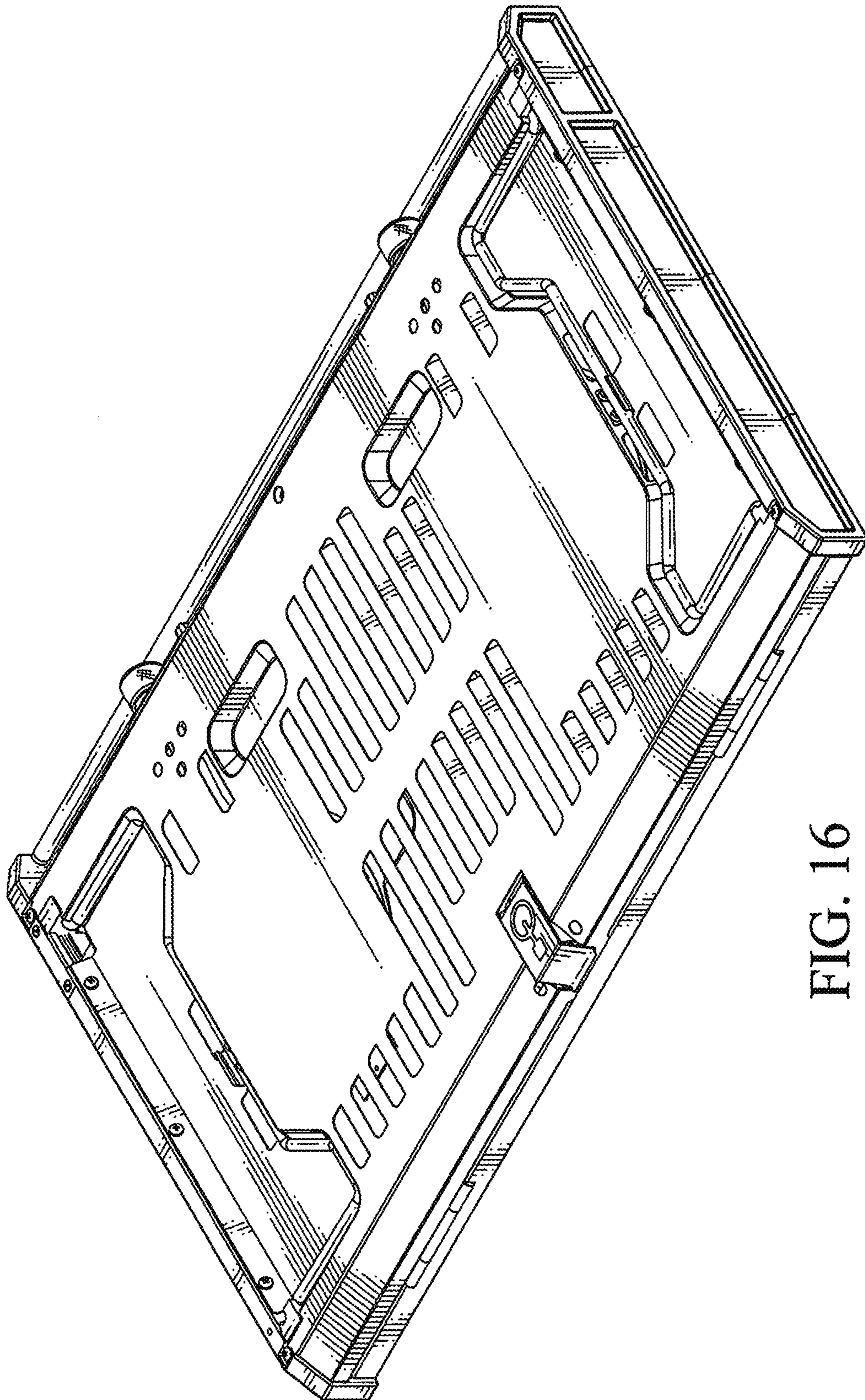


FIG. 16