



US00D932820S

(12) **United States Design Patent** (10) **Patent No.:** **US D932,820 S**
Schwalbach et al. (45) **Date of Patent:** **** Oct. 12, 2021**

(54) **TABLE**

(71) Applicant: **Apple Inc.**, Cupertino, CA (US)

(72) Inventors: **Charles A. Schwalbach**, Menlo Park, CA (US); **David Samuel Kumka**, San Francisco, CA (US); **Russell John Kaaihue Heirakuji**, Cupertino, CA (US); **Carly Lynn Marasco**, Los Gatos, CA (US); **Frank Craig Thaler**, Santa Cruz, CA (US)

(73) Assignee: **Apple Inc.**, Cupertino, CA (US)

(**) Term: **15 Years**

(21) Appl. No.: **29/774,970**

(22) Filed: **Mar. 19, 2021**

Related U.S. Application Data

(63) Continuation of application No. 29/670,426, filed on Nov. 15, 2018, now Pat. No. Des. 913,737, which is a continuation of application No. 29/618,445, filed on Sep. 21, 2017, now Pat. No. Des. 833,789, which is a continuation of application No. 29/586,953, filed on Dec. 8, 2016, now Pat. No. Des. 799,250, which is a continuation of application No. 29/516,911, filed on Feb. 6, 2015, now Pat. No. Des. 773,868.

(51) **LOC (13) Cl.** **06-06**

(52) **U.S. Cl.**
USPC **D6/707.19**

(58) **Field of Classification Search**
USPC ... D6/300, 642, 651, 656.19, 661, 675, 686, D6/688.22, 691, 691.1, 691.2, 691.4, D6/691.5, 691.7, 691.8, 691.9, 695.6, D6/707, 707.19; D7/333, 339, 346; D21/397; D23/308, 343
CPC .. A47F 3/007; A47F 3/14; A47F 7/022; A47F 7/024; A47B 13/00; A47B 13/12
See application file for complete search history.

(56) **References Cited**

U.S. PATENT DOCUMENTS

D132,875 S 6/1942 Cooper
D214,741 S 7/1969 Dean
D218,903 S 10/1970 Chichester, Jr.
D243,376 S 2/1977 Scott
D243,982 S 4/1977 Carter
D248,351 S 7/1978 Bartholomew
D278,584 S 4/1985 Bromley
D299,893 S 2/1989 Diehl

(Continued)

OTHER PUBLICATIONS

Apple Granted 8 Design Patents for All-New Apple Watch Tables [online]. Patently Apple, Nov. 28, 2015. <<http://www.patentlyapple.com/patently-apple/2015/11/apple-granted-8-design-patents-for-all-new-apple-watch-tables.html>>.

(Continued)

Primary Examiner — Mary Ann Calabrese

Assistant Examiner — Katelin G Kloberg

(74) *Attorney, Agent, or Firm* — Sterne, Kessler, Goldstein & Fox P.L.L.C.

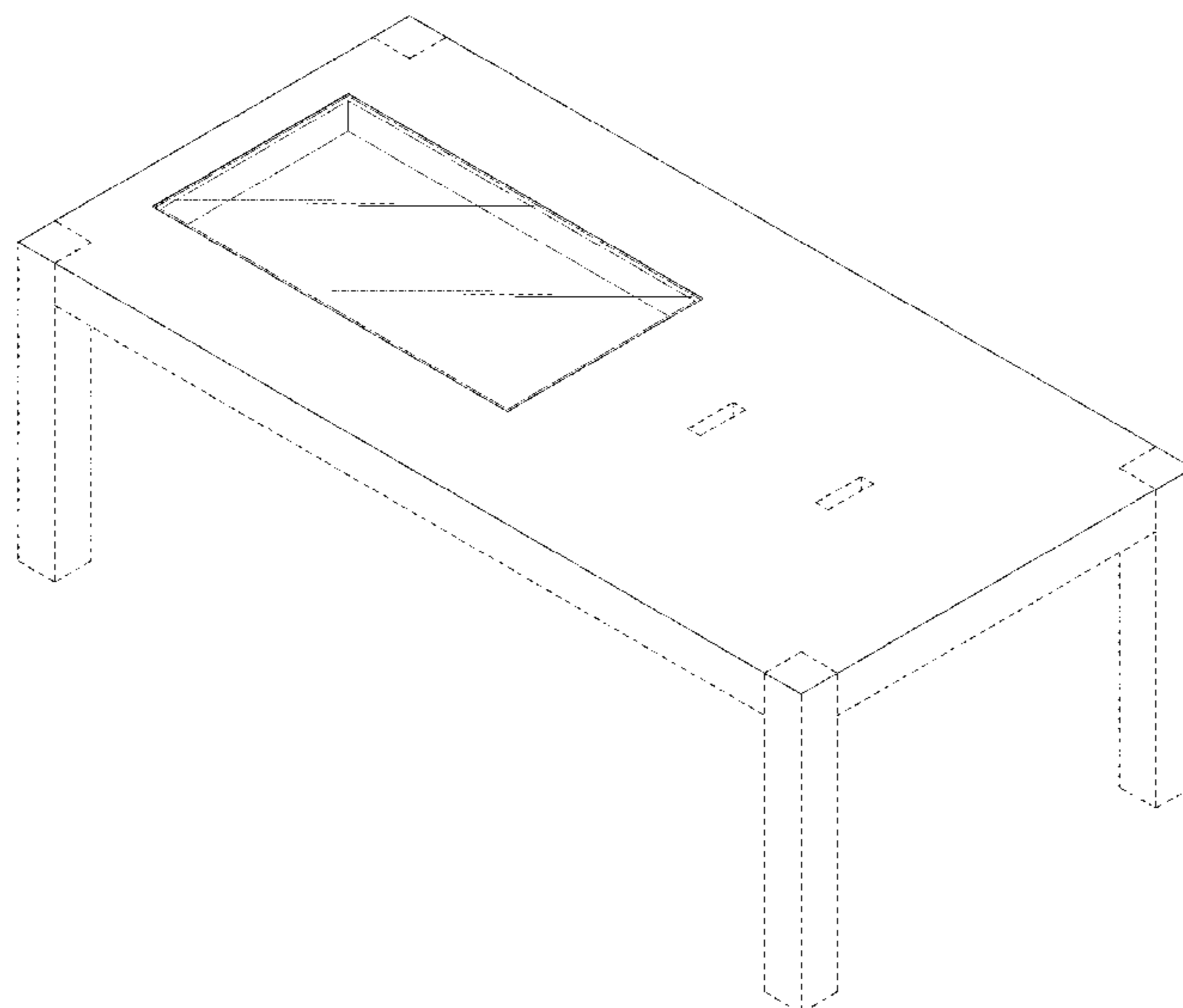
(57) **CLAIM**

The ornamental design for a table, as shown and described.

DESCRIPTION

FIG. 1 is a top front perspective view of a table showing our new design;
FIG. 2 is a front view thereof;
FIG. 3 is a rear view thereof;
FIG. 4 is a right side view thereof;
FIG. 5 is a left side view thereof;
FIG. 6 is a top view thereof; and,
FIG. 7 is a bottom view thereof.
The broken lines in the figures show portions of the table that form no part of the claimed design.

1 Claim, 6 Drawing Sheets



(56)

References Cited

U.S. PATENT DOCUMENTS

D300,889 S 5/1989 Bartlett
 D484,717 S 1/2004 de Blois
 D487,655 S 3/2004 Varsi
 D522,274 S 6/2006 Coval
 D558,489 S 1/2008 Christensen
 D583,590 S 12/2008 Ellouz
 D591,079 S 4/2009 Singler et al.
 D591,979 S 5/2009 Singler et al.
 D646,507 S 10/2011 Delmestri
 D649,381 S 11/2011 Mainzer
 D657,978 S 4/2012 Hamm et al.
 D678,696 S 3/2013 Hamm et al.
 D679,521 S 4/2013 Hamm et al.
 D683,161 S 5/2013 Polloni et al.
 D684,413 S 6/2013 Schmitt
 D688,494 S 8/2013 Hamm et al.
 D689,307 S 9/2013 Burt et al.
 D693,156 S 11/2013 Hamm et al.
 D713,658 S 9/2014 Tio et al.
 D717,572 S 11/2014 Morrison
 D725,947 S 4/2015 Tio et al.
 D728,281 S 5/2015 Heirakuji et al.
 D729,560 S 5/2015 Hamm et al.
 D734,078 S 7/2015 Bougay
 D734,965 S 7/2015 Tio et al.

D753,419 S 4/2016 Heirakuji et al.
 D757,464 S 5/2016 Chiang
 D758,106 S 6/2016 Hamm et al.
 D766,630 S 9/2016 Akana et al.
 D766,631 S 9/2016 Akana et al.
 D766,632 S 9/2016 Akana et al.
 D766,633 S 9/2016 Akana et al.
 D767,310 S 9/2016 Akana et al.
 D769,654 S 10/2016 Akana et al.
 D776,471 S 1/2017 Mandon et al.
 9,635,931 B2 5/2017 Mandon et al.
 D810,483 S 2/2018 Akana et al.
 D907,416 S * 1/2021 Akana D6/691
 D913,728 S * 3/2021 Mandon D6/661
 D913,737 S * 3/2021 Schwalbach D6/707.19

OTHER PUBLICATIONS

Neil Hughes, "Apple retail stores 'bulging at the seams' at 8400 average square feet," Appleinsider.com, dated May 8, 2012. <http://appleinsider.com/articles/12/05/08/apple_retail_stores_bulging_at_the_seams_at_8400_average_square_feet>.
 Valentina Palladino, "Apple Store Receives Trademark for 'Distinctive Design and Layout,'" Wired.com, dated Jan. 30, 2013. <<http://www.wired.com/2013/01/apple-store-trademark/>>.

* cited by examiner

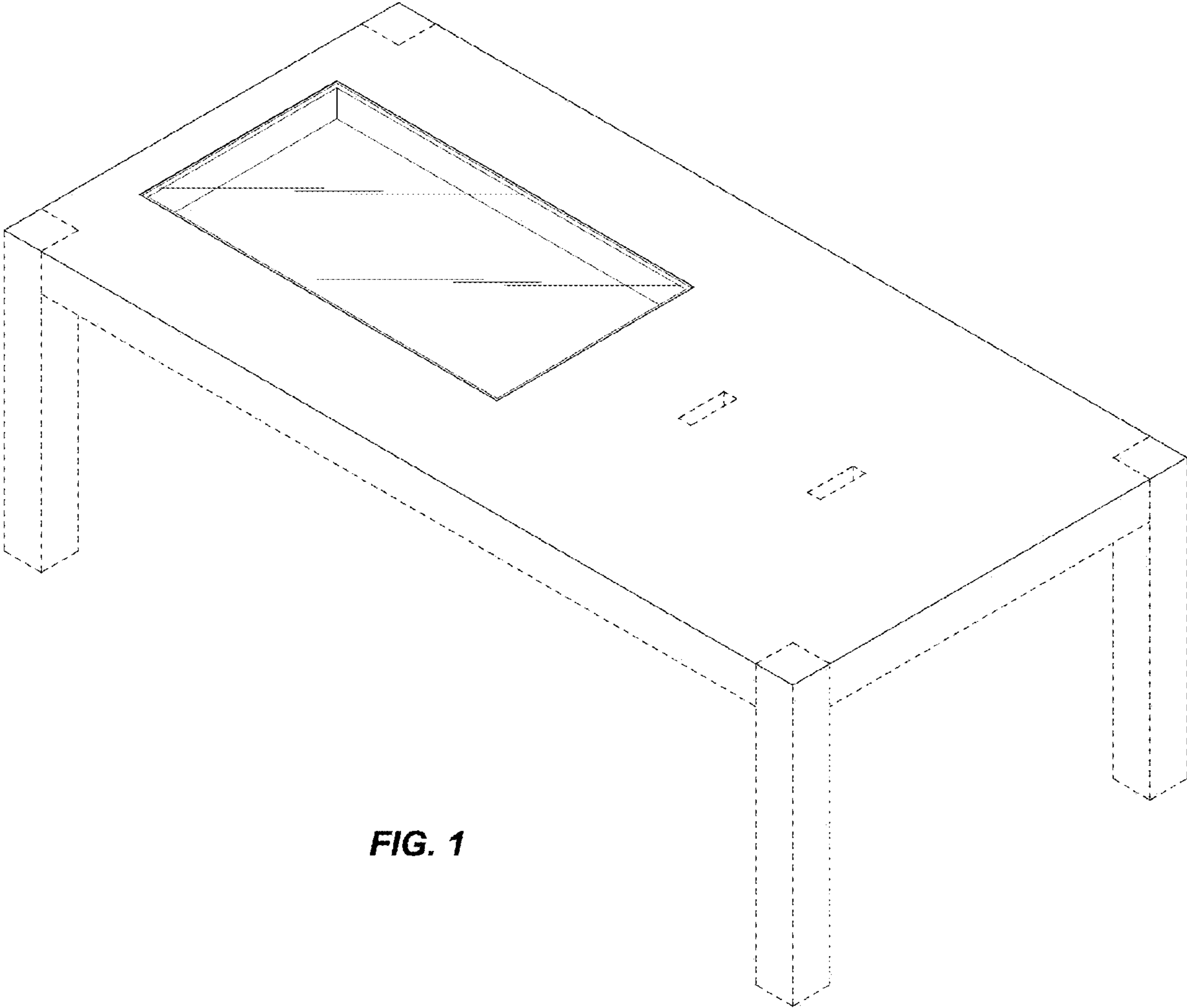


FIG. 1

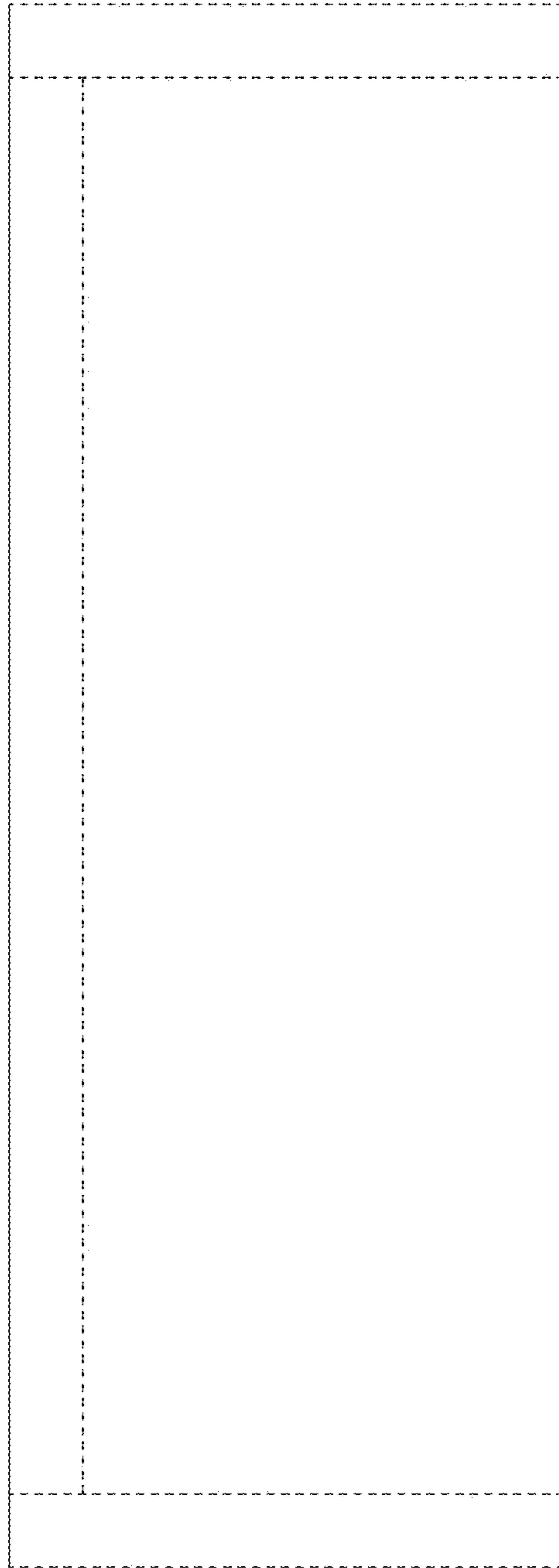


FIG. 2

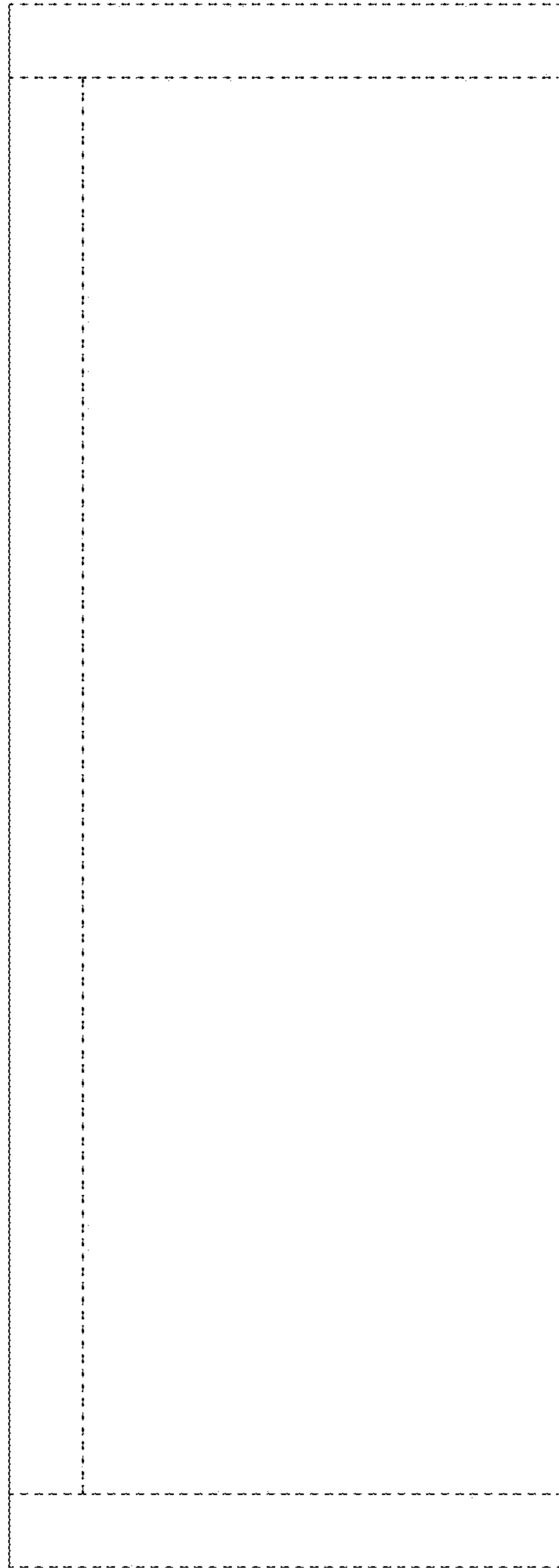


FIG. 3

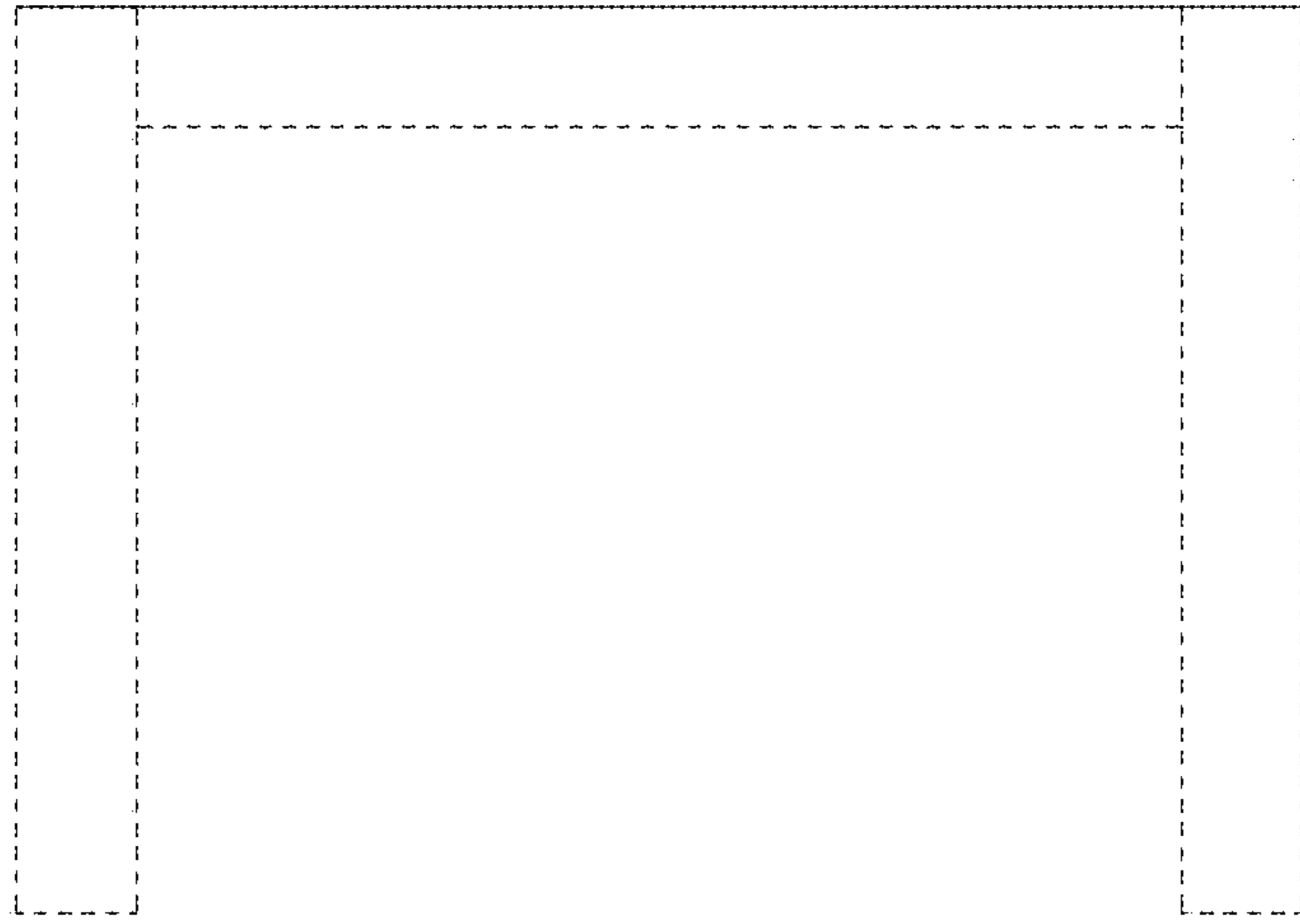


FIG. 4



FIG. 5

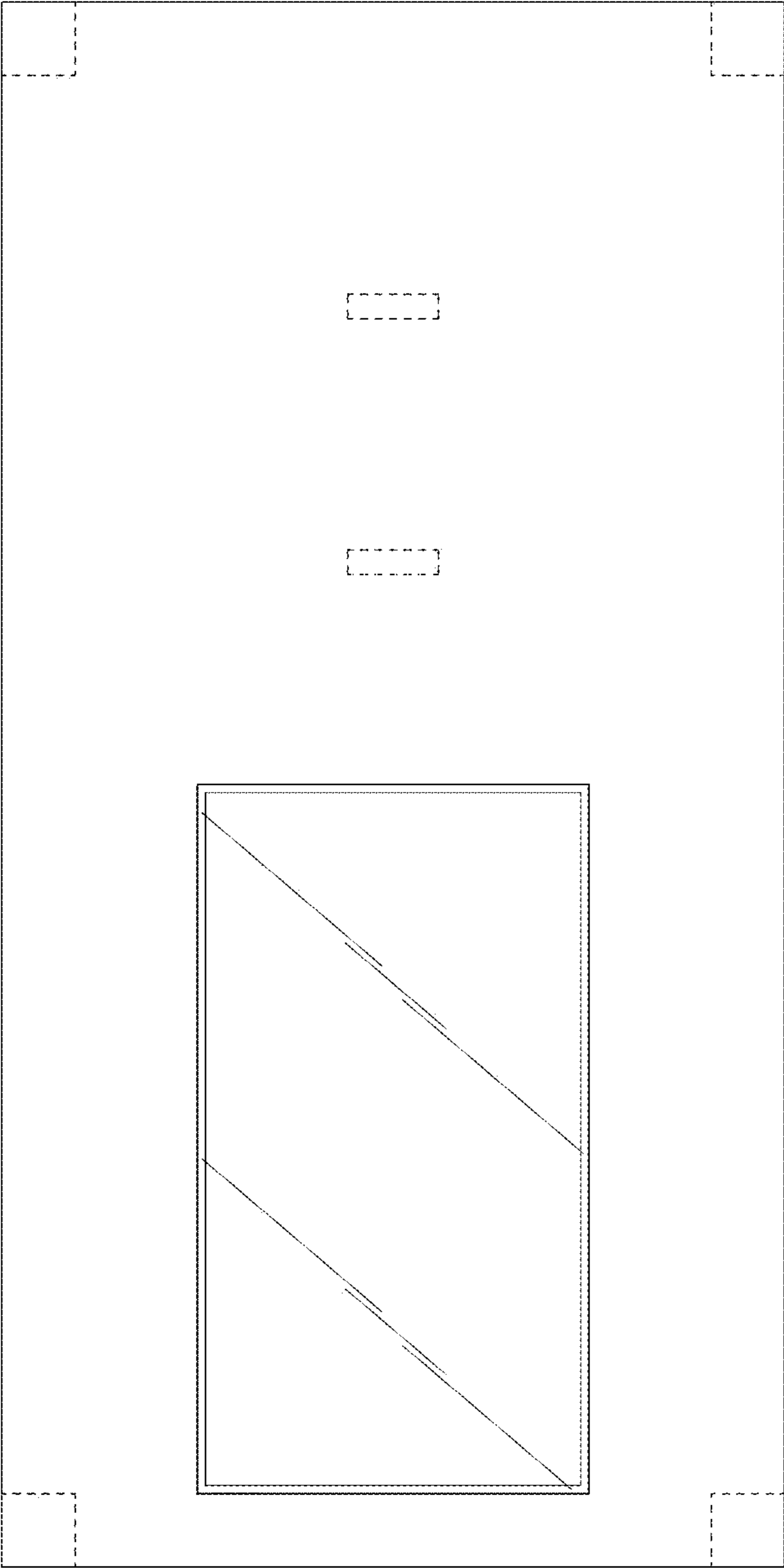


FIG. 6



FIG. 7