

US00D932818S

(12) **United States Design Patent** (10) **Patent No.:** **US D932,818 S**
Dart et al. (45) **Date of Patent:** **** Oct. 12, 2021**

(54) **ADJUSTABLE SHELF**
(71) Applicant: **Dedee R. Dart**, Mapleton, UT (US)
(72) Inventors: **Dedee R. Dart**, Mapleton, UT (US);
Bart Storrs, Highland, UT (US)
(73) Assignee: **Dedee R. Dart**, Mapleton, UT (US)
(**) Term: **15 Years**
(21) Appl. No.: **29/769,926**
(22) Filed: **Feb. 8, 2021**

(74) *Attorney, Agent, or Firm* — Morriss O’Bryant
Compagni Cannon, PLLC

(57) **CLAIM**

The ornamental design for the adjustable shelf, as shown and described.

DESCRIPTION

FIG. 1 is a perspective top back view of the adjustable shelf of the present invention in expanded form;
FIG. 2 is a perspective bottom front view of the adjustable shelf of the present invention in expanded form;
FIG. 3 is a back side view of the adjustable shelf of the present invention in expanded form;
FIG. 4 is a front side view of the adjustable shelf of the present invention in expanded form;
FIG. 5 is a right side view of the adjustable shelf of the present invention in expanded form;
FIG. 6 is a left side view of the adjustable shelf of the present invention in expanded form;
FIG. 7 is a top side view of the adjustable shelf of the present invention in expanded form;
FIG. 8 is a bottom side view of the adjustable shelf of the present invention in expanded form;
FIG. 9 is a perspective top back view of the adjustable shelf of the present invention in collapsed form;
FIG. 10 is a perspective bottom front view of the adjustable shelf of the present invention in collapsed form;
FIG. 11 is a back side view of the adjustable shelf of the present invention in collapsed form;
FIG. 12 is a front side view of the adjustable shelf of the present invention in collapsed form;
FIG. 13 is a right side view of the adjustable shelf of the present invention in collapsed form;
FIG. 14 is a left side view of the adjustable shelf of the present invention in collapsed form;
FIG. 15 is a top side view of the adjustable shelf of the present invention in collapsed form; and,
FIG. 16 is a bottom side view of the adjustable shelf of the present invention in collapsed form.

Related U.S. Application Data

(63) Continuation-in-part of application No. 29/754,701, filed on Oct. 13, 2020, which is a continuation of application No. 29/689,053, filed on Apr. 26, 2019, now Pat. No. Des. 898,489.
(51) **LOC (13) Cl.** **06-06**
(52) **U.S. Cl.**
USPC **D6/678**
(58) **Field of Classification Search**
USPC D6/406.1–406.5, 654, 654.1, 678, 678.1,
D6/704, 705, 705.1, 707
CPC A47B 5/0018; A47B 5/0043; A47B 5/10;
A47B 7/00; A47B 5/0081
See application file for complete search history.

(56) **References Cited**

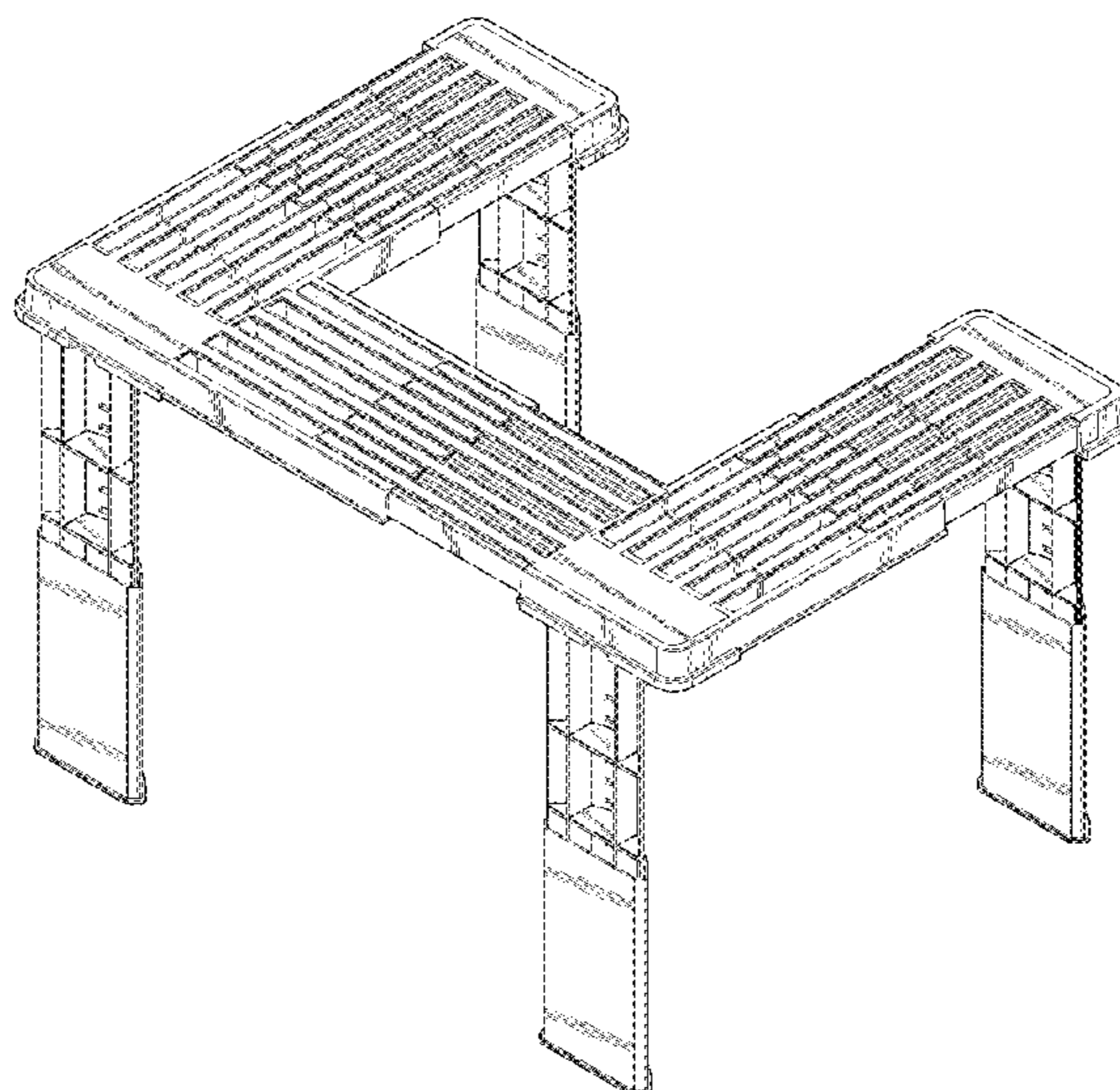
U.S. PATENT DOCUMENTS

774,117 A	11/1904	Tandy
905,737 A	12/1908	Mccombe
1,043,950 A	11/1912	Martin
1,747,628 A	2/1930	Hagel
2,023,901 A	12/1935	Rhodes
2,122,336 A	6/1938	Berry

(Continued)

Primary Examiner — Kelley A Donnelly

1 Claim, 16 Drawing Sheets



(56)

References Cited

U.S. PATENT DOCUMENTS

2,216,621 A 10/1940 MacKinga
 2,347,821 A 5/1944 Goldner
 2,427,767 A 9/1947 Drake
 2,520,490 A 8/1950 Boward
 2,643,931 A 6/1953 Anderson
 2,657,810 A 11/1953 Garrick
 3,441,146 A 4/1969 Summers
 3,919,950 A 11/1975 Frazelle et al.
 D239,901 S * 5/1976 Goulder D6/678.1
 4,025,137 A 5/1977 Wyler
 4,036,369 A 7/1977 Eisenberg
 4,155,312 A 5/1979 Thorkildson
 4,286,525 A 9/1981 Willmore
 4,469,231 A 9/1984 Hehn
 4,500,146 A 2/1985 Peterson
 4,713,949 A 12/1987 Wilcox
 4,760,800 A 8/1988 Hanson
 4,975,997 A 12/1990 Misiura et al.
 D332,717 S 1/1993 Wolfe, III
 5,291,700 A 3/1994 Chew
 5,339,747 A 8/1994 Epps
 5,415,472 A 5/1995 Brise
 5,478,145 A 12/1995 Kamachi
 D372,822 S 8/1996 OBrien
 5,564,962 A 10/1996 Espinosa
 5,595,126 A 1/1997 Yeh
 5,628,257 A 5/1997 Conner et al.
 5,628,527 A 5/1997 Olson et al.
 D393,316 S 4/1998 Simon
 D398,458 S 9/1998 Martell
 D406,961 S * 3/1999 Simpson, II D6/678.1
 5,964,360 A 10/1999 Hwang
 5,971,165 A 10/1999 Levins
 6,019,331 A 2/2000 Hoogland et al.
 6,036,286 A 3/2000 Krumholz
 D423,840 S 5/2000 Carville et al.
 6,085,668 A 7/2000 Kanki
 6,142,316 A 11/2000 Harbour et al.
 D443,434 S 6/2001 Tinsley
 D445,620 S * 7/2001 West D6/574
 6,450,349 B2 9/2002 Lee
 D474,920 S 5/2003 Holt
 6,591,762 B1 7/2003 Haghayegh
 6,623,956 B1 9/2003 Cecchi et al.
 D501,338 S * 2/2005 Deasy D6/678.1
 6,854,402 B2 * 2/2005 DuBarry A47B 1/08
 108/137
 6,874,646 B2 4/2005 Jay
 D510,821 S 10/2005 Madison
 D518,979 S 4/2006 Petitclerc

7,204,569 B2 4/2007 Walburn
 7,234,604 B2 6/2007 Eisele
 7,237,686 B2 7/2007 Bertrand et al.
 D609,500 S 2/2010 Fieldhouse et al.
 D627,989 S 11/2010 Geoffrey
 D629,222 S 12/2010 Kay
 D629,627 S 12/2010 Mylet
 D630,459 S 1/2011 Millspaugh
 7,987,799 B2 8/2011 Lange et al.
 D652,222 S 1/2012 Edwards
 8,316,486 B2 11/2012 Tipperreiter
 8,333,158 B2 12/2012 Wise
 D677,478 S 3/2013 Edwards et al.
 D677,960 S 3/2013 Kullman
 D678,887 S 3/2013 Stravitz
 D691,404 S 10/2013 Baum
 D696,540 S 12/2013 Dart et al.
 D698,163 S 1/2014 Edwards
 D710,980 S 8/2014 Pollard, Jr.
 D716,065 S 10/2014 Hubbard, Jr.
 9,010,552 B2 4/2015 Dart et al.
 D746,087 S 12/2015 Dart et al.
 9,198,513 B2 12/2015 Dart et al.
 9,220,341 B2 12/2015 Dart et al.
 9,335,089 B1 5/2016 Gossens
 D778,648 S 2/2017 Johnson et al.
 9,642,457 B1 * 5/2017 Halfen A47F 7/143
 9,717,337 B2 8/2017 Dart et al.
 D834,862 S 12/2018 Dart et al.
 10,612,828 B1 * 4/2020 Engelbrecht F25D 25/02
 D898,489 S 10/2020 Dart et al.
 D899,159 S 10/2020 Dart et al.
 10,881,198 B1 1/2021 Chaoyi
 2001/0052505 A1 12/2001 Lee
 2004/0094143 A1 5/2004 Bartley
 2004/0159622 A1 8/2004 Craft et al.
 2004/0164655 A1 8/2004 Wood et al.
 2006/0207957 A1 9/2006 Chen
 2008/0053940 A1 3/2008 Whalen et al.
 2009/0230070 A1 9/2009 Anderson et al.
 2010/0264104 A1 10/2010 Winter
 2012/0037583 A1 2/2012 Wise
 2012/0180302 A1 7/2012 Lopez, Jr.
 2012/0223038 A1 9/2012 Bean
 2015/0068999 A1 3/2015 Dart et al.
 2016/0106210 A1 4/2016 Kassanoff et al.
 2016/0146531 A1 5/2016 Gossens
 2016/0206090 A1 7/2016 Feeley et al.
 2018/0132608 A1 5/2018 Benden
 2019/0328129 A1 10/2019 Namala
 2020/0093259 A1 3/2020 Verhappen
 2020/0146440 A1 5/2020 Fogarty et al.

* cited by examiner

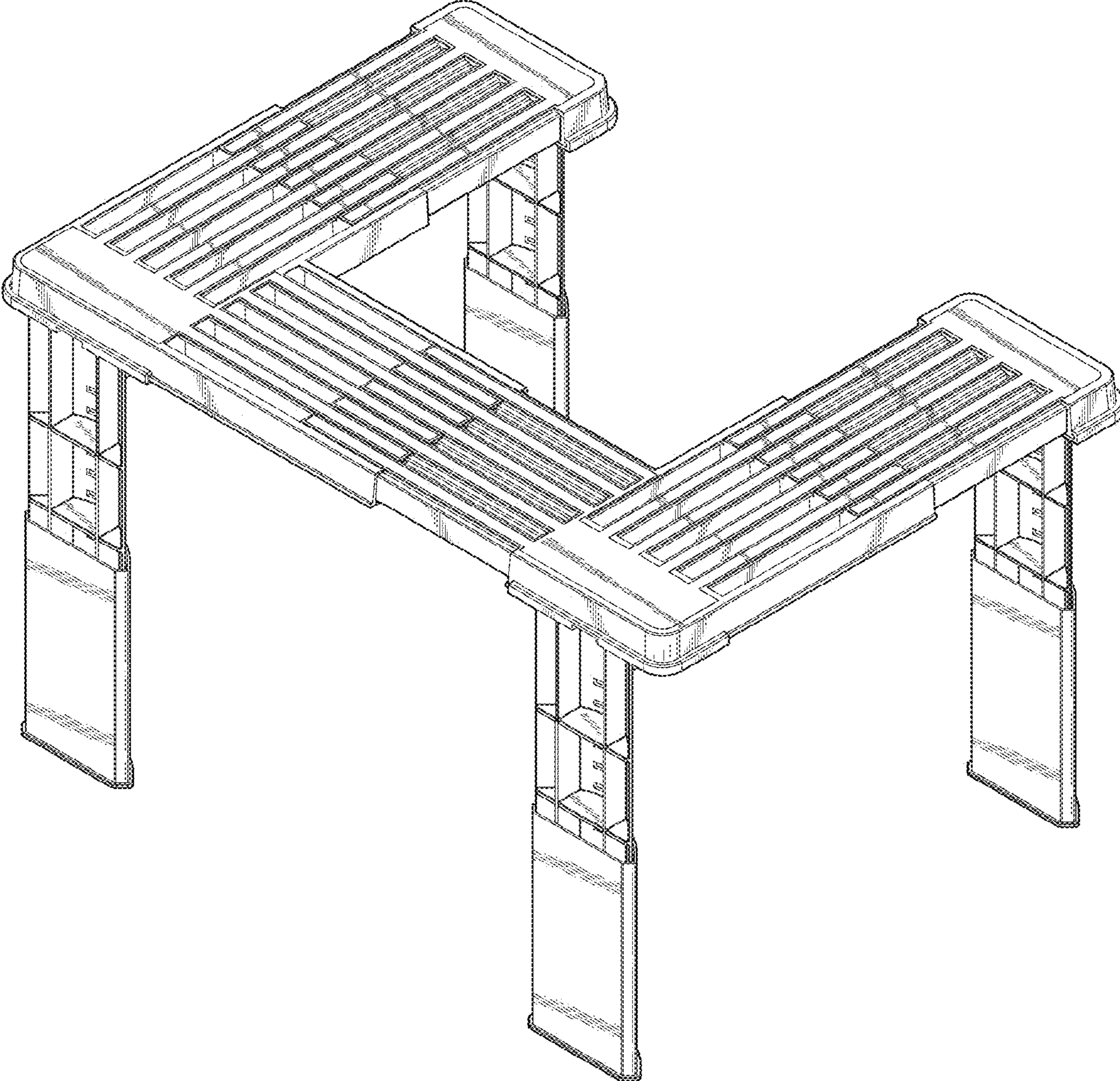


FIG. 1

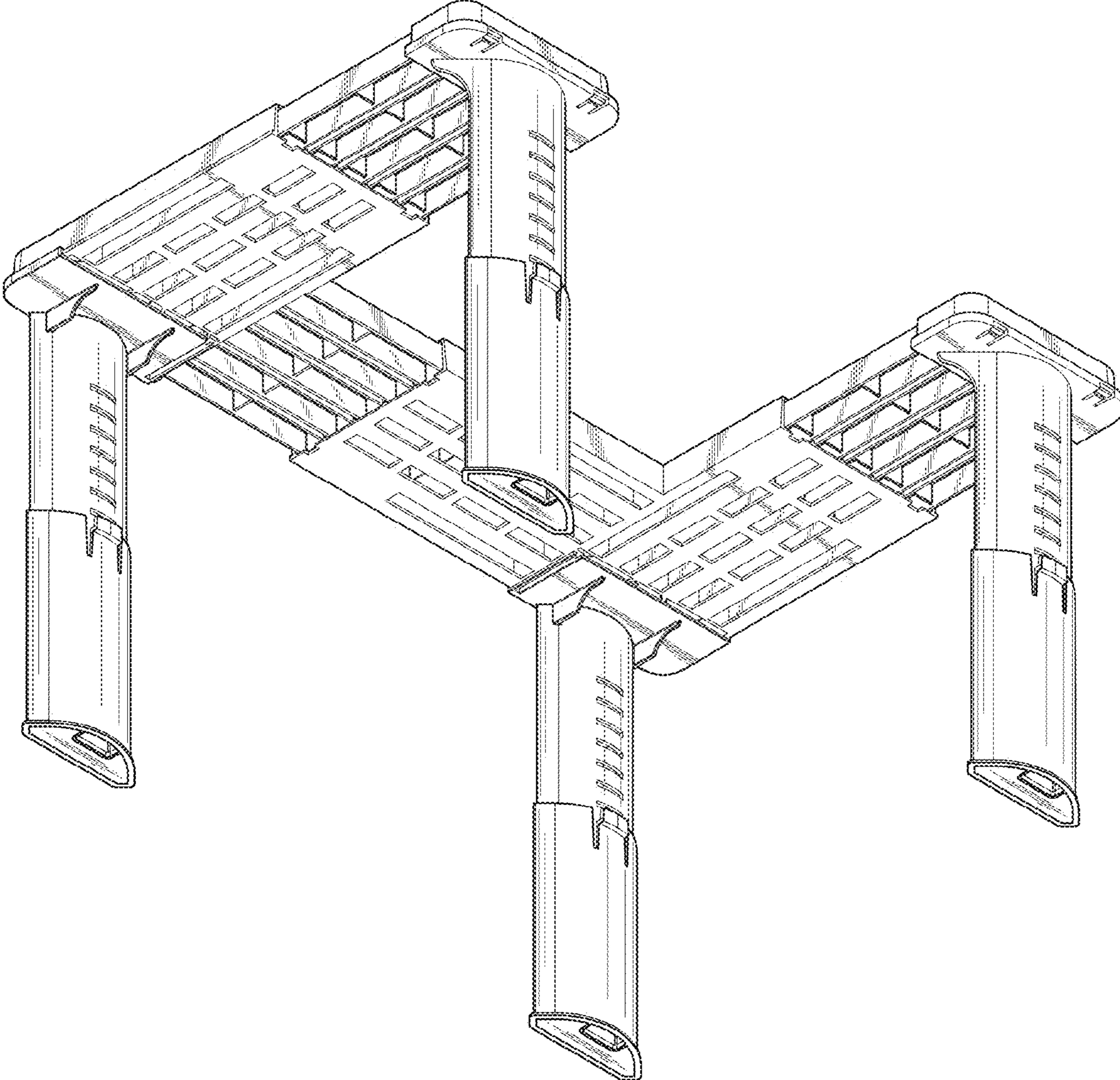


FIG. 2

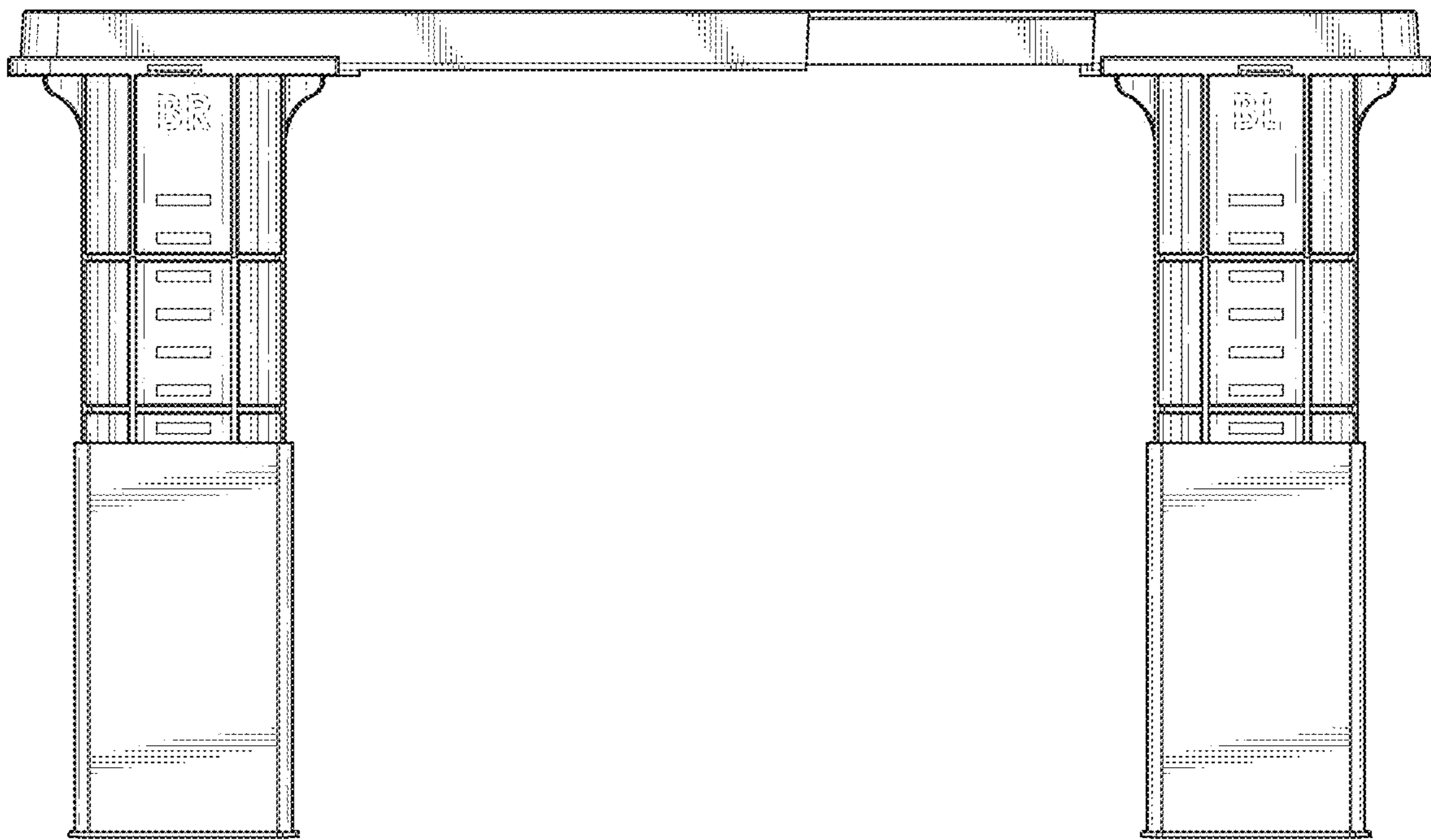


FIG. 3

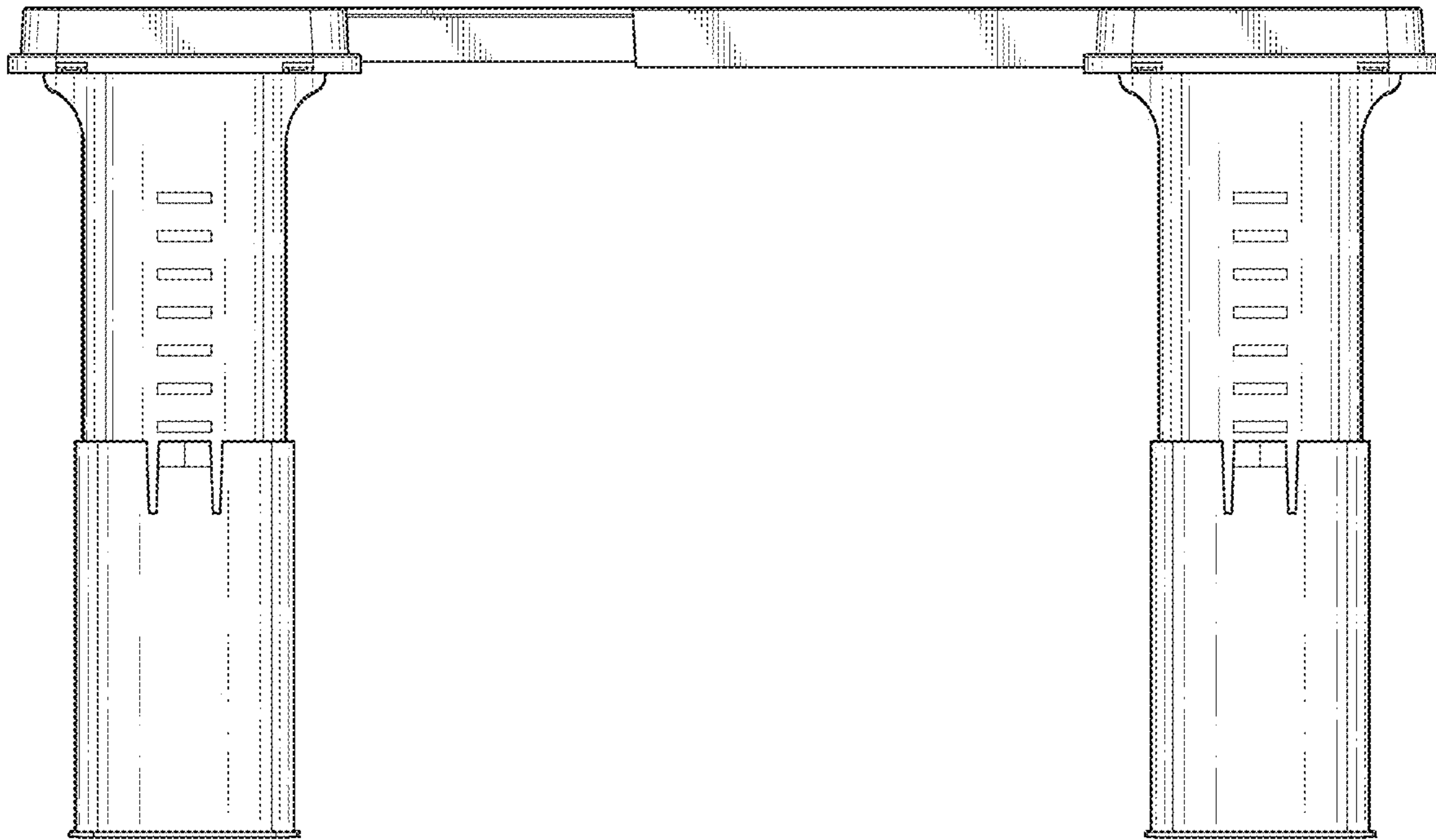


FIG. 4

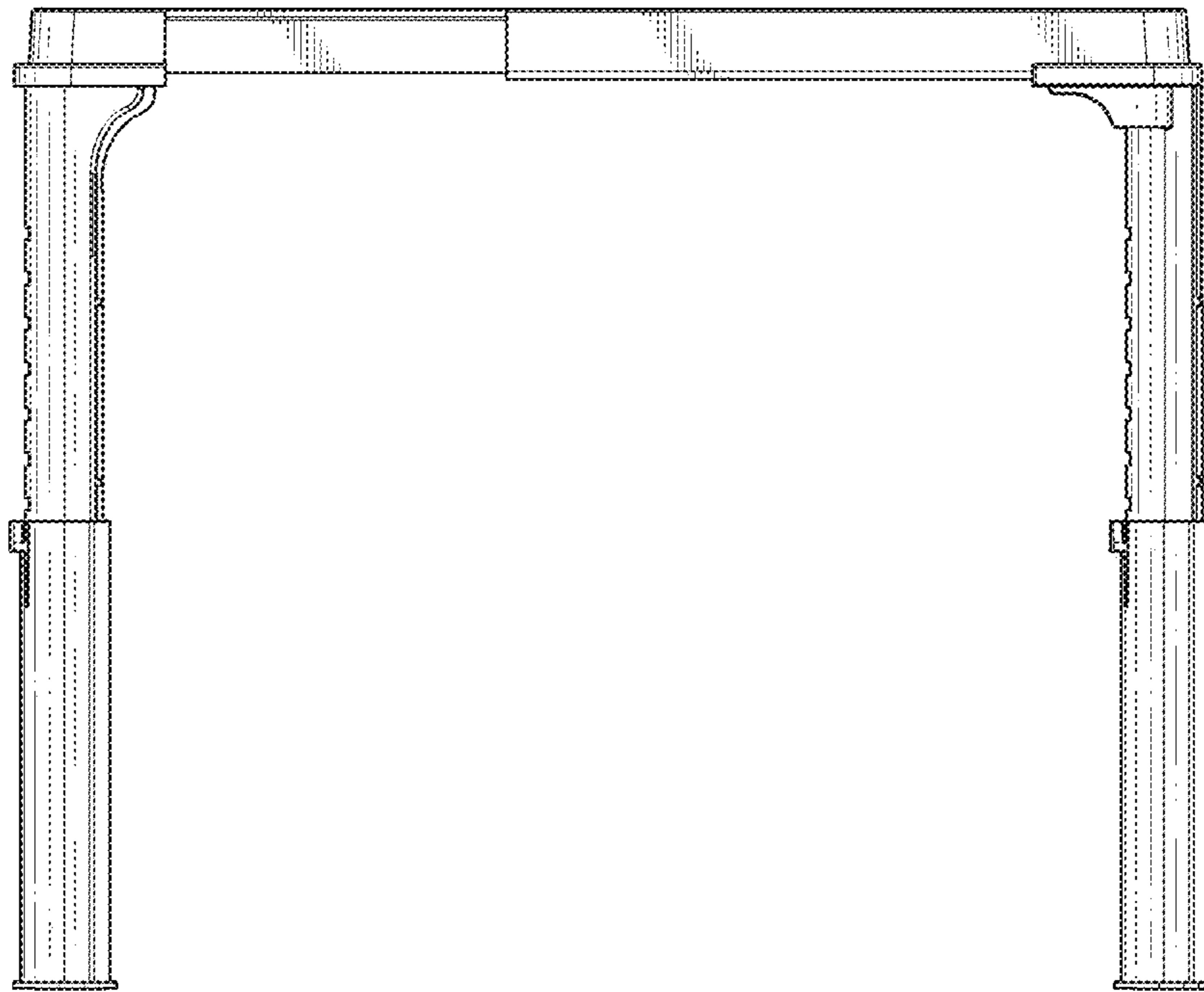


FIG. 5

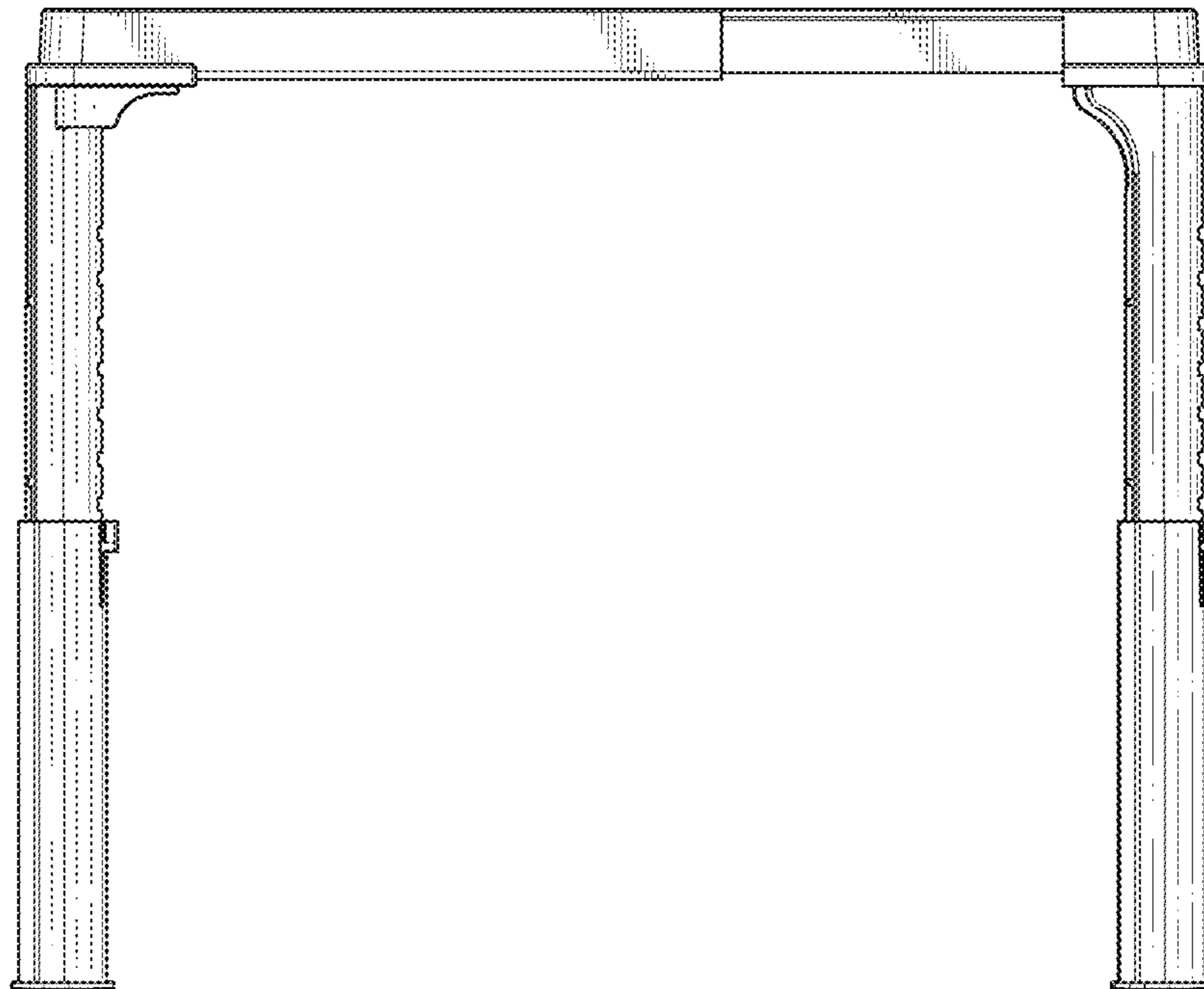


FIG. 6

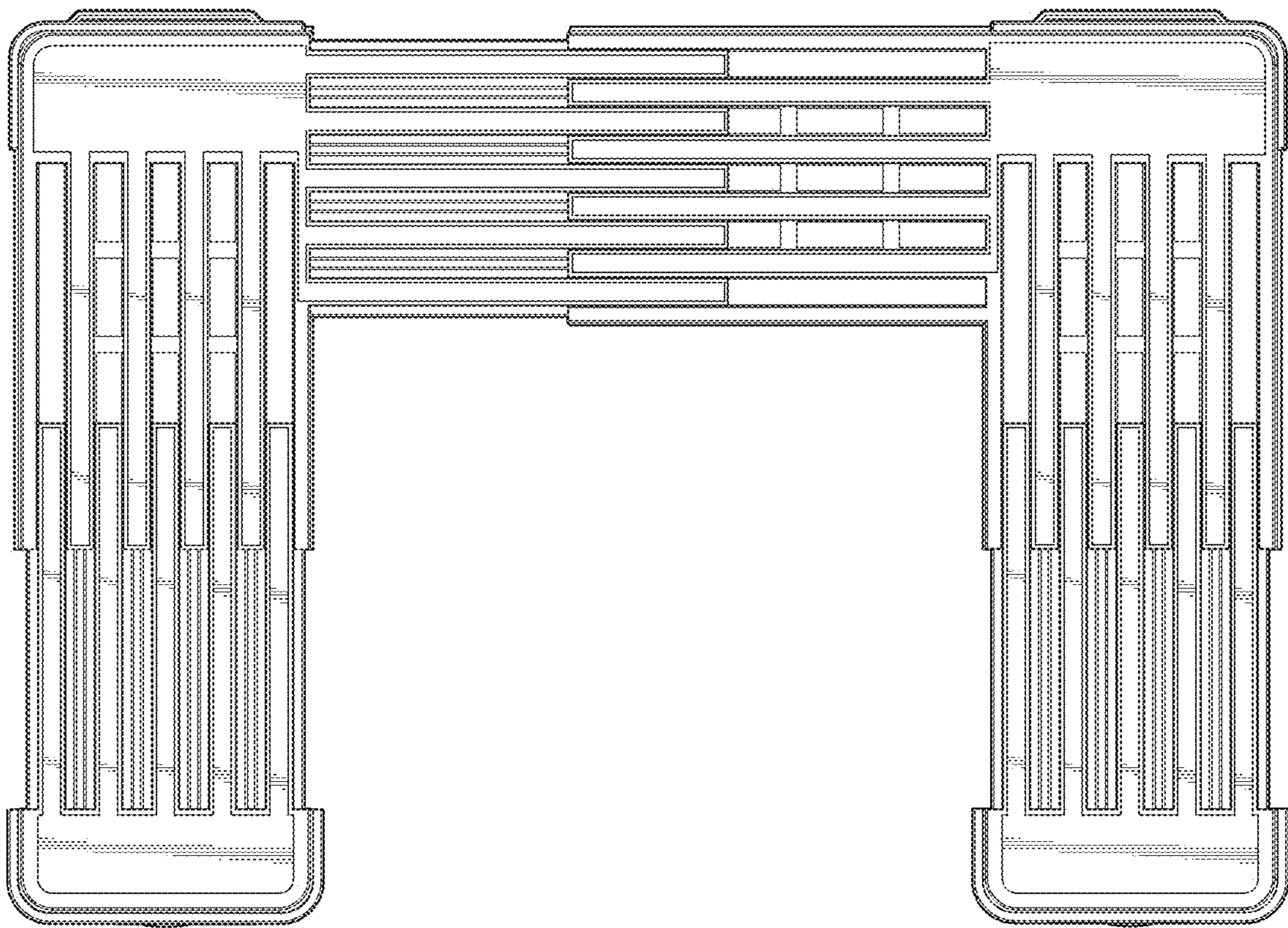


FIG. 7

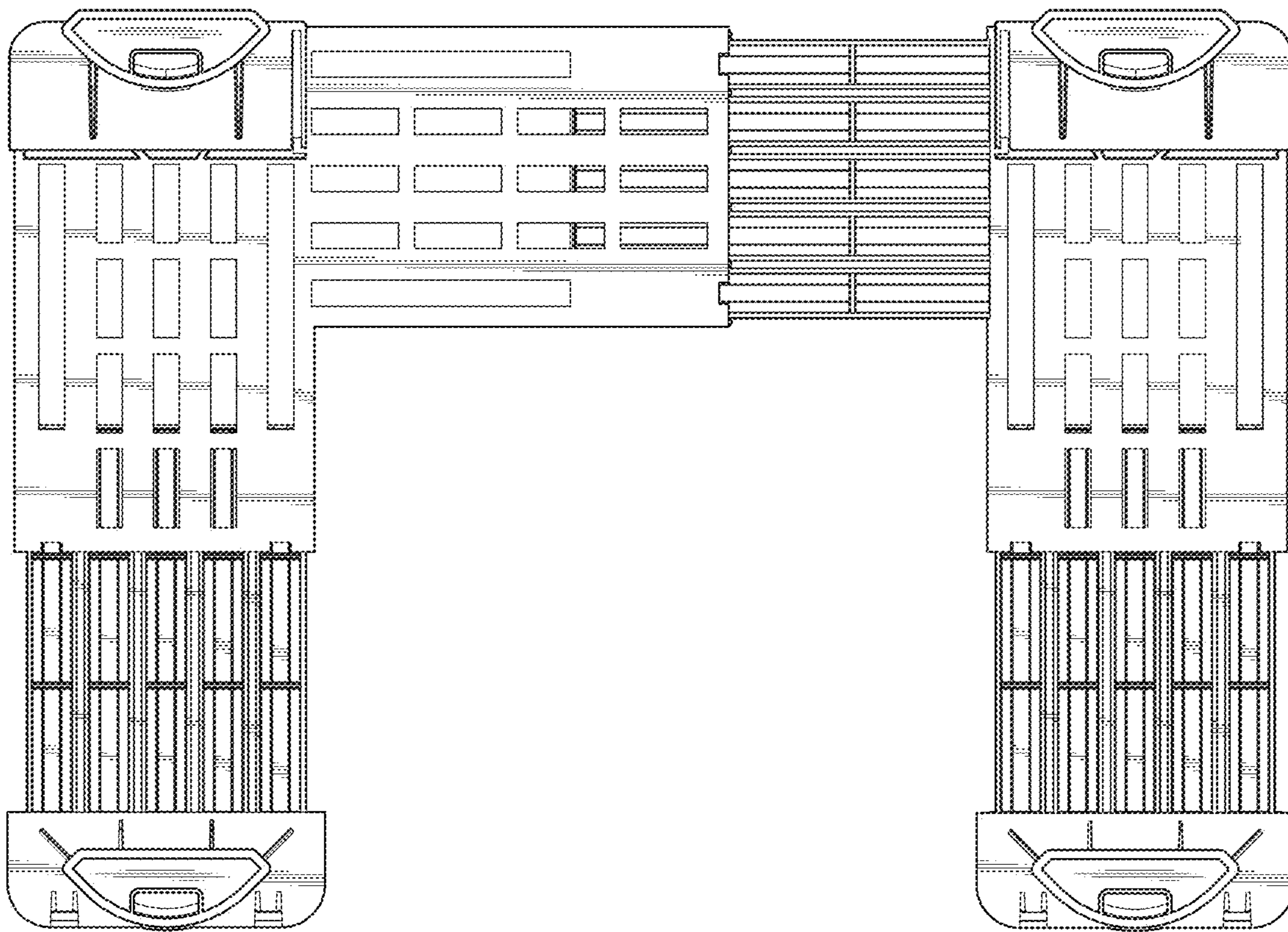


FIG. 8

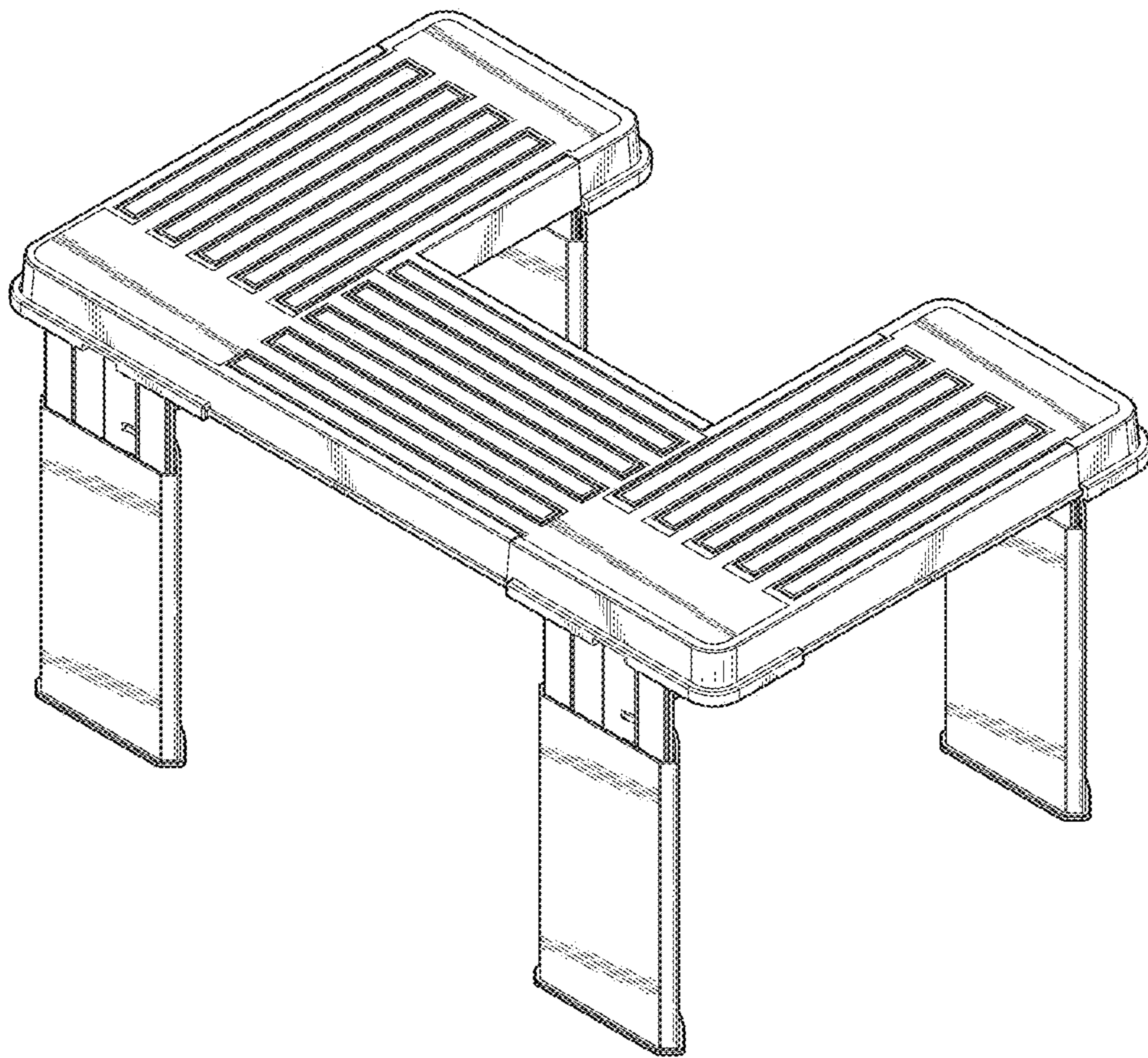


FIG. 9

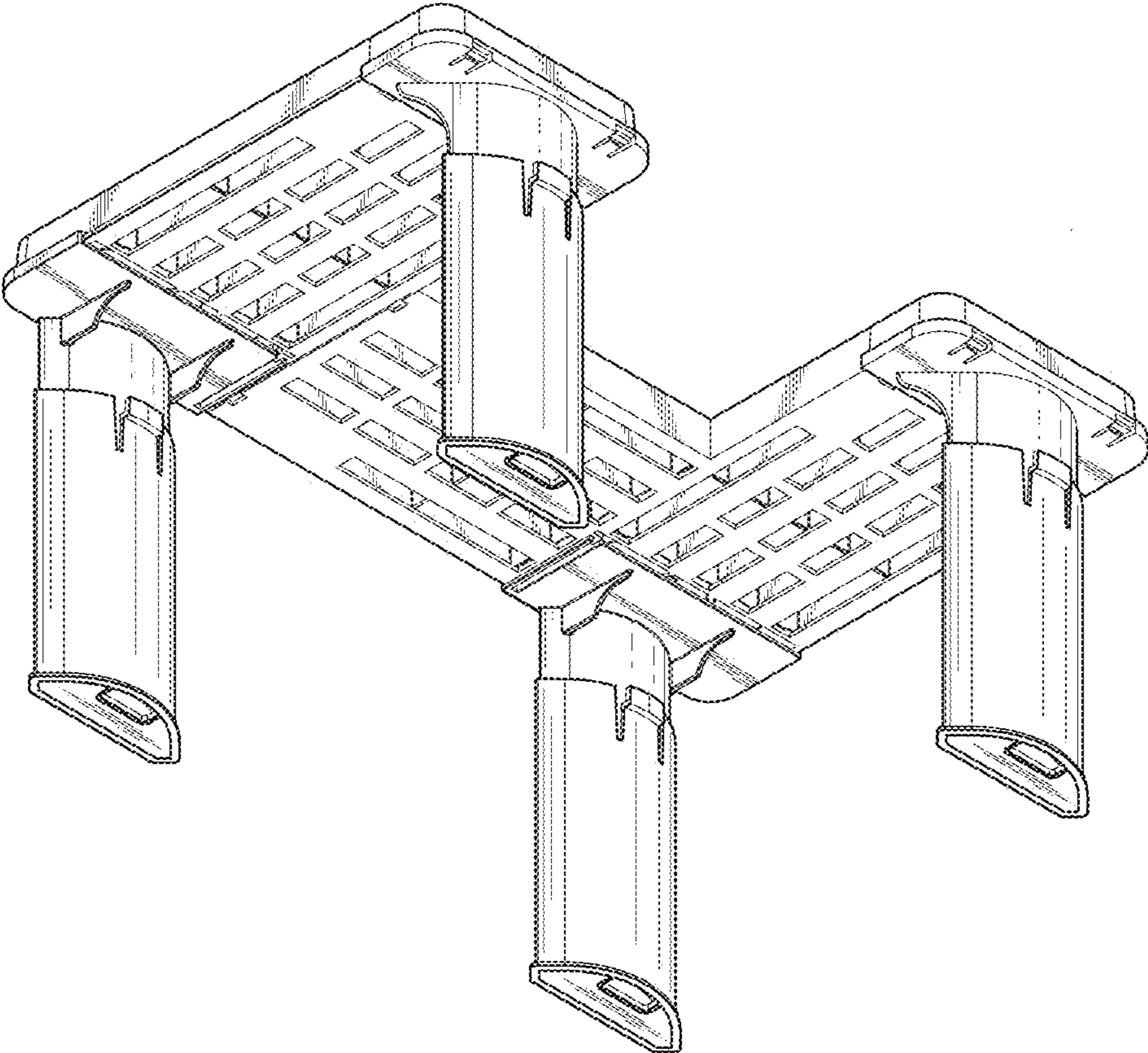


FIG. 10

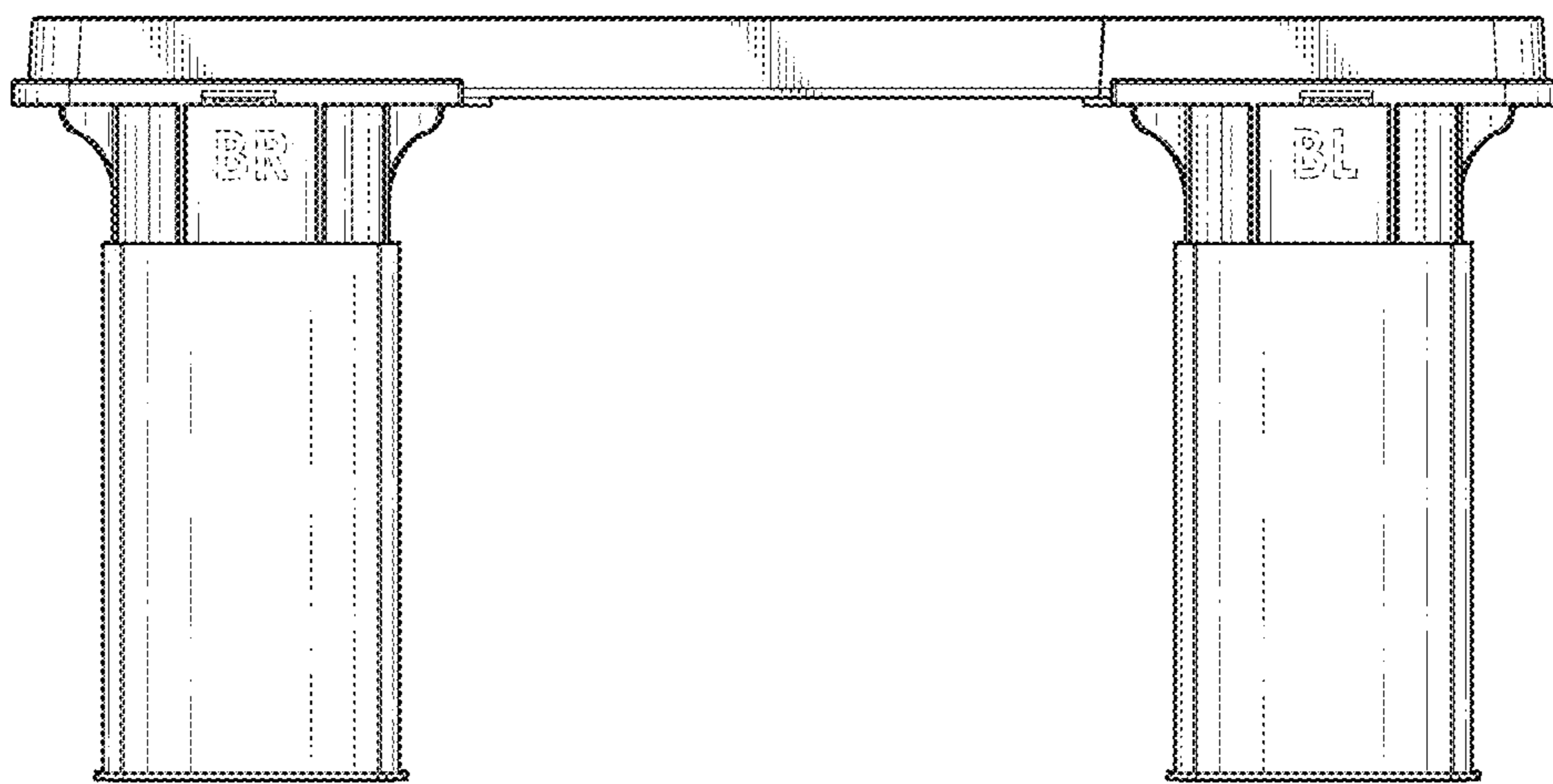


FIG. 11

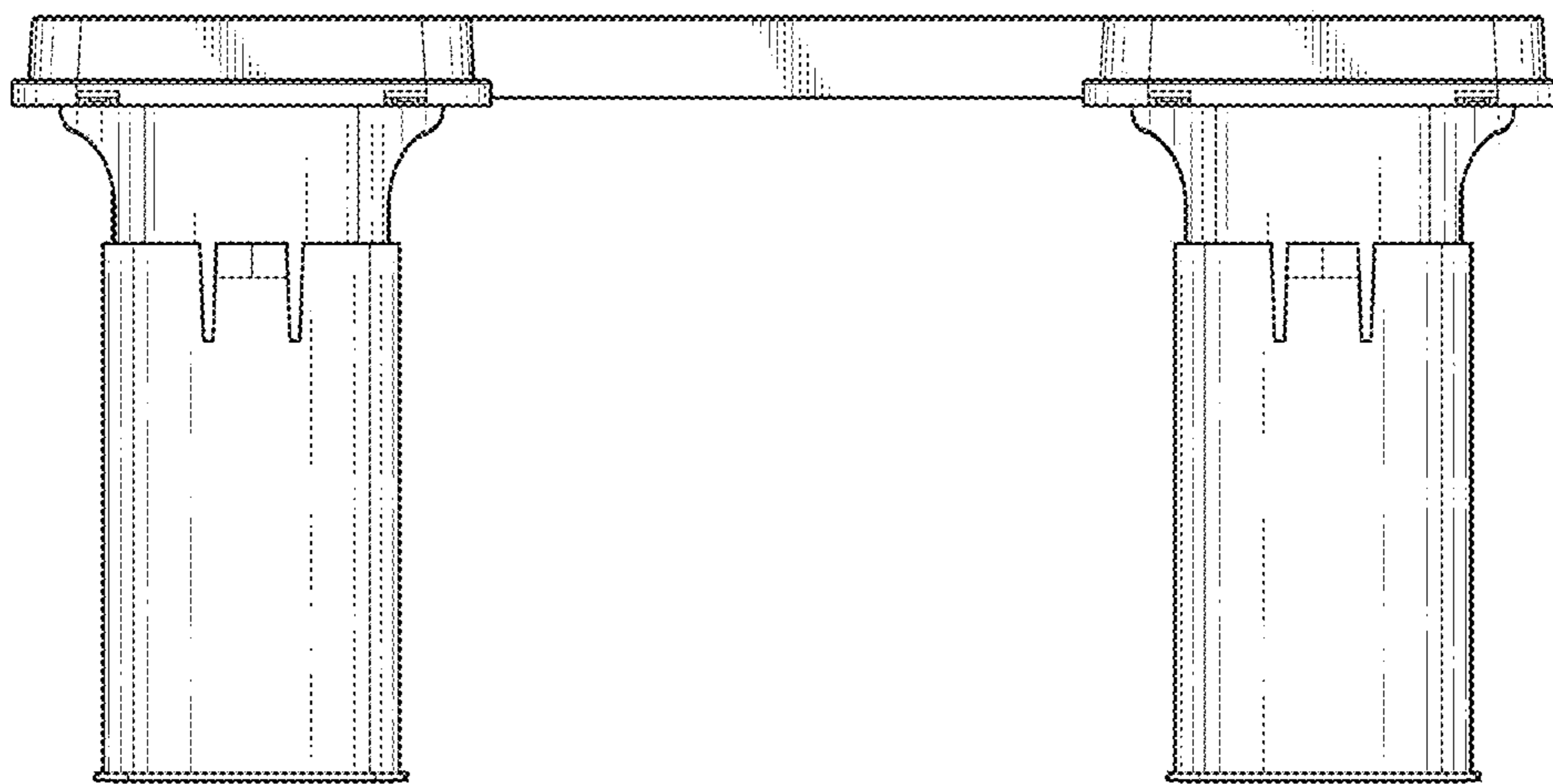


FIG. 12

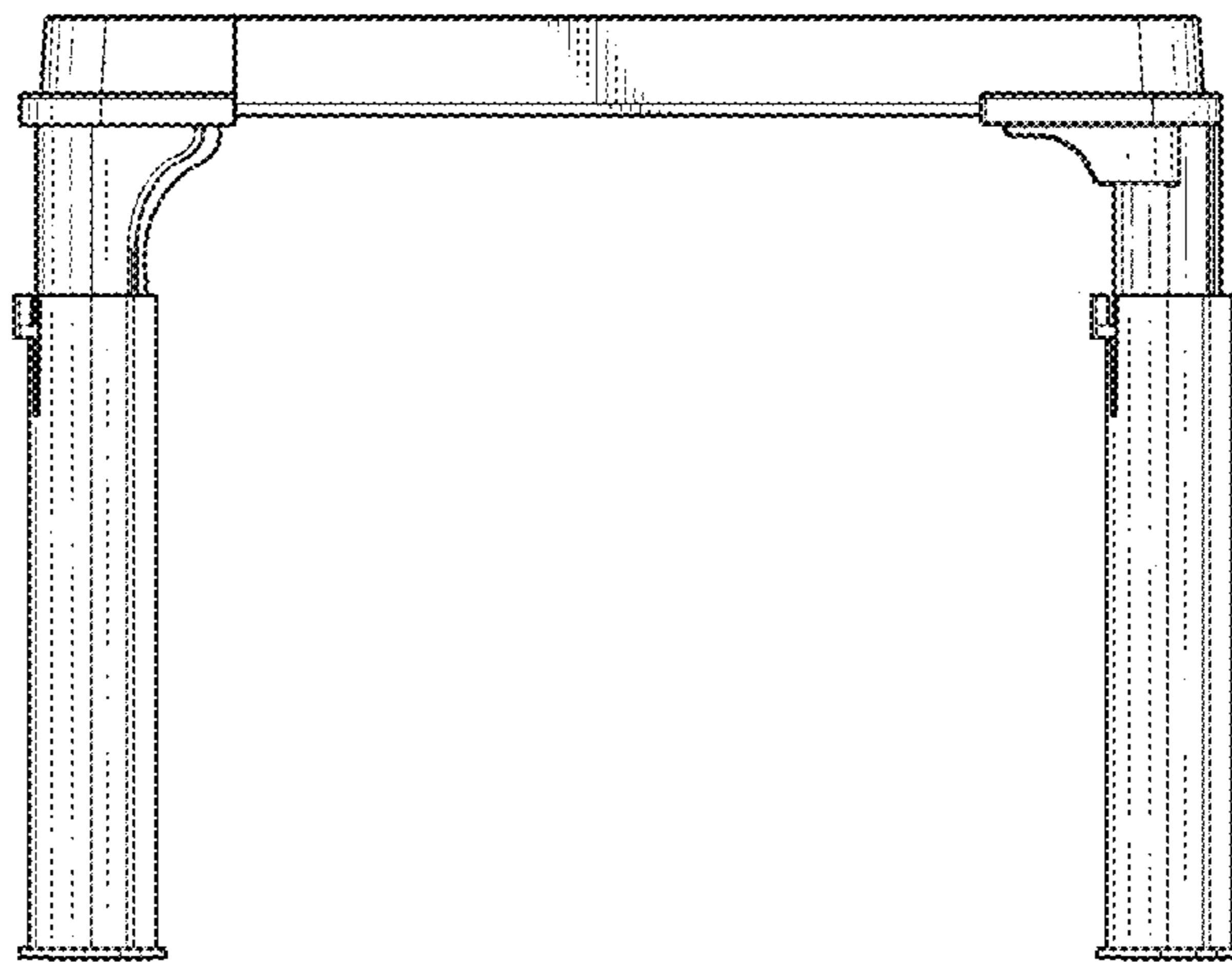


FIG. 13

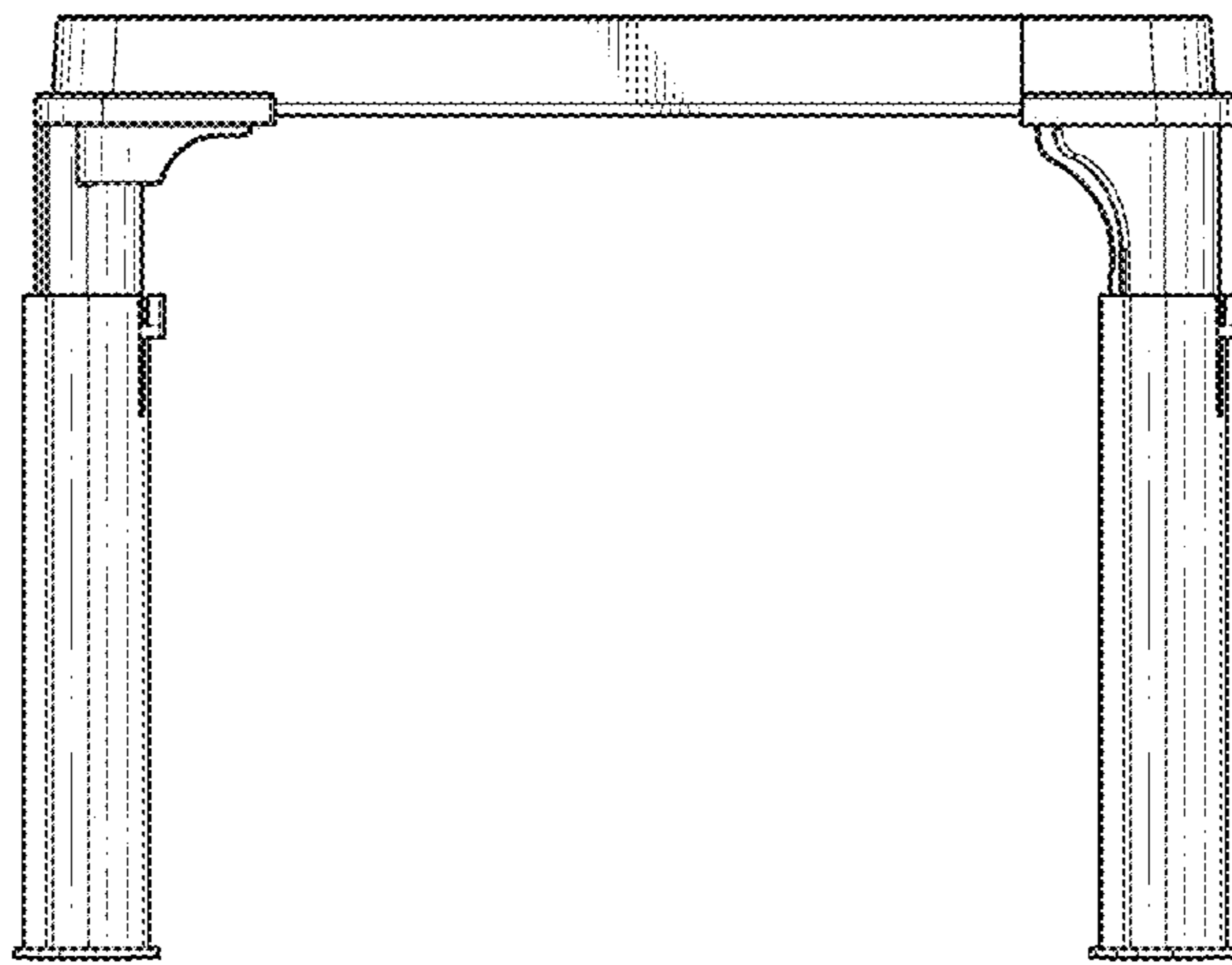


FIG. 14

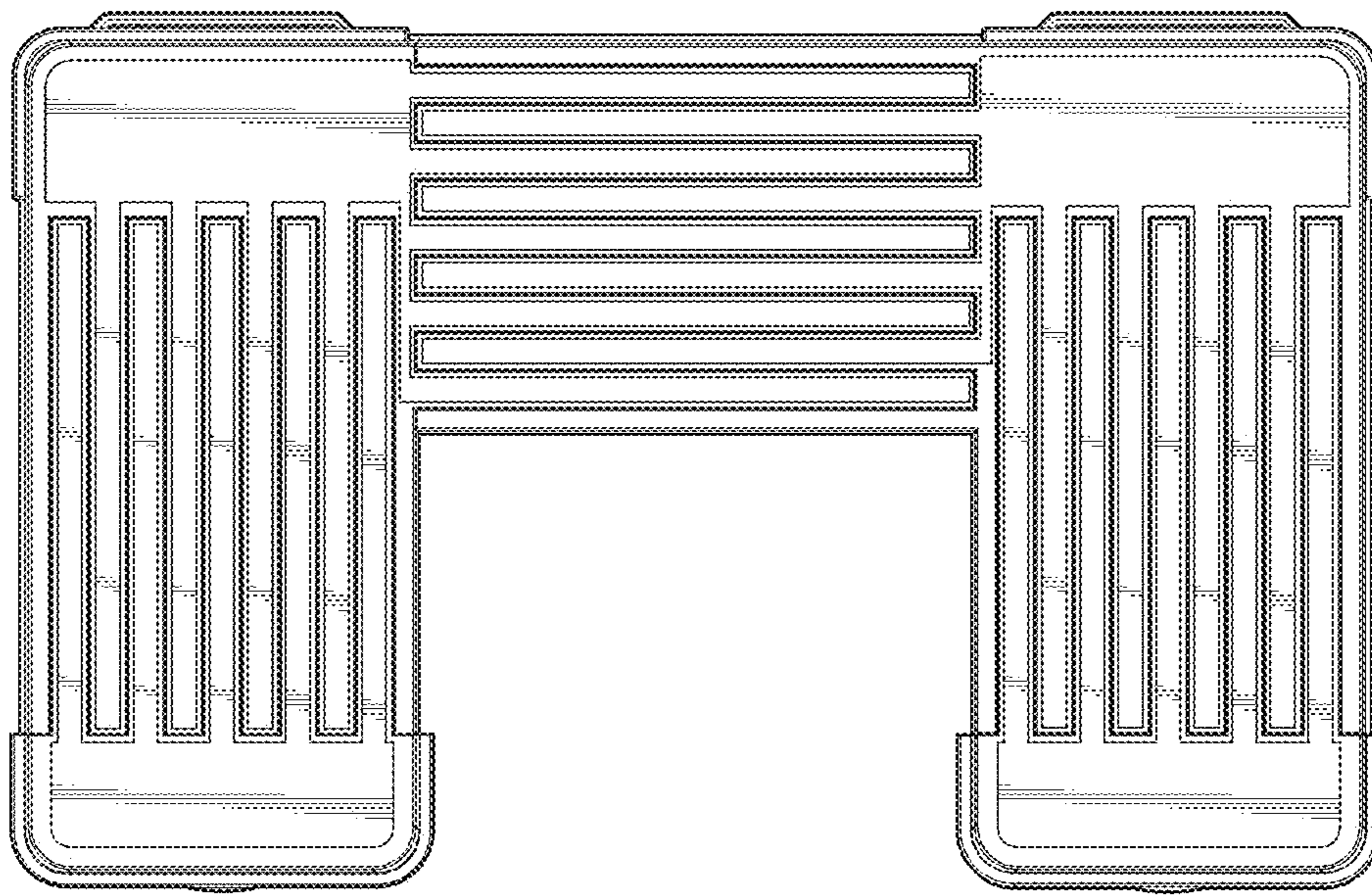


FIG. 15

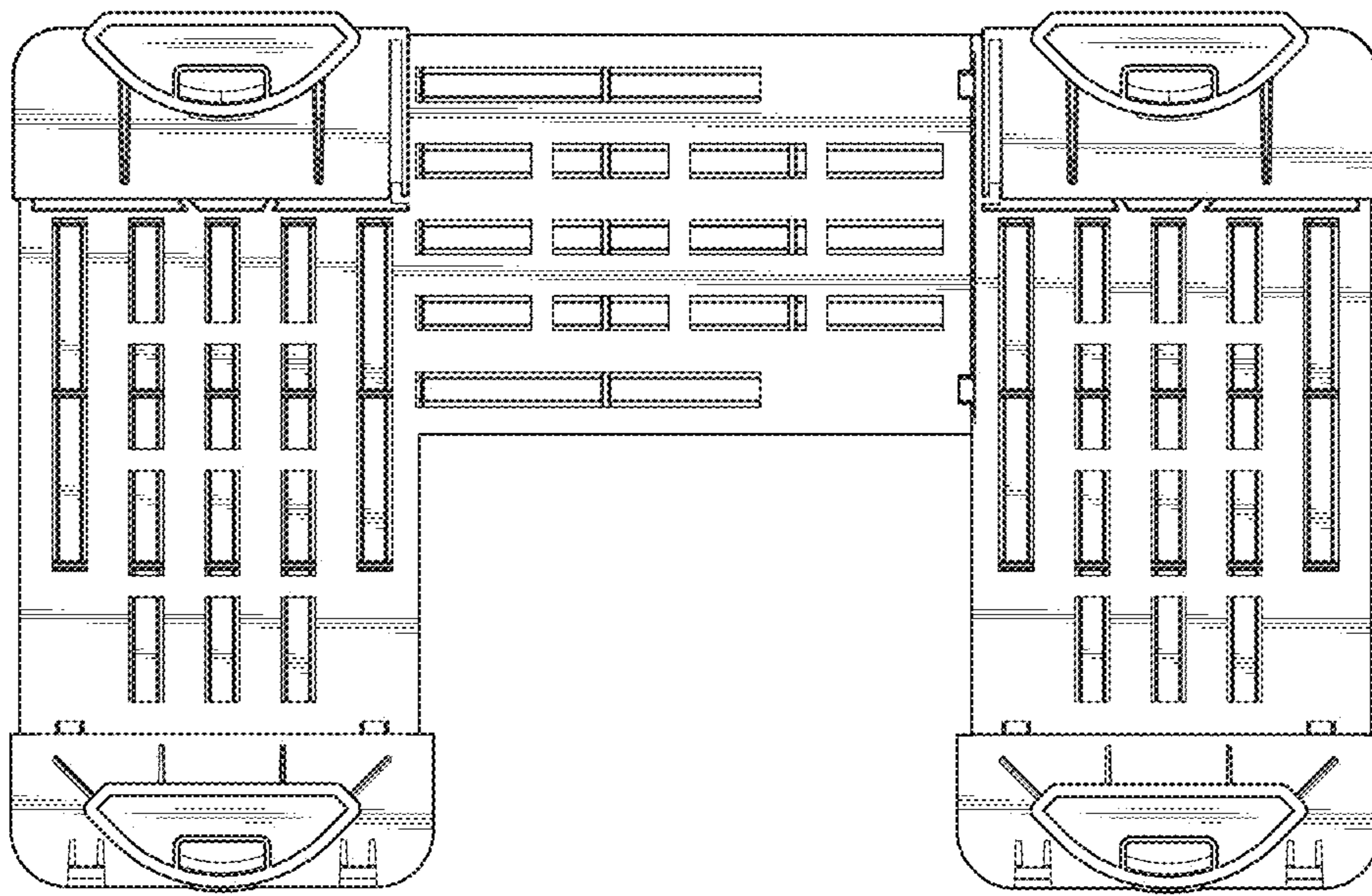


FIG. 16