



US00D932817S

(12) **United States Design Patent** (10) **Patent No.:** **US D932,817 S**
Etgar et al. (45) **Date of Patent:** **** Oct. 12, 2021**

(54) **BEVERAGE CONTAINER SUPPORT RACK**
(71) Applicant: **Coors Brewing Company**, Denver, CO (US)
(72) Inventors: **Inbal Etgar**, Berkeley, CA (US); **Anderson Miller**, San Francisco, CA (US); **Ryan Wickre**, San Francisco, CA (US); **Hailey Stewart**, Wilmington, MA (US); **Jonathan Grossman**, San Francisco, CA (US)
(73) Assignee: **Coors Brewing Company**, Milwaukee, WI (US)

(**) Term: **15 Years**
(21) Appl. No.: **29/765,723**
(22) Filed: **Jan. 11, 2021**

Related U.S. Application Data

(62) Division of application No. 29/681,367, filed on Feb. 25, 2019, now Pat. No. Des. 911,082.
(51) **LOC (13) Cl.** **20-02**
(52) **U.S. Cl.**
USPC **D6/675.1**
(58) **Field of Classification Search**
USPC D6/663, 668, 668.1, 668.2, 669, 671, D6/671.1, 671.2, 675, 675.1; D34/12, 13, D34/14, 15, 16, 17, 18, 19, 20, 21, 22, D34/23, 24, 25, 26, 27; D7/300, 305, D7/306, 307, 308, 309, 310, 311; D24/185
CPC .. A47J 31/44; A47J 31/00; A47J 31/46; A47J 31/10; A47J 31/369; A47J 31/06; A47B 31/00; A47B 31/02; A47B 47/05; A47B 67/04; A47B 2210/01; B62B 3/006
See application file for complete search history.

(56) **References Cited**
U.S. PATENT DOCUMENTS
827,050 A 7/1906 Weston
2,732,955 A 1/1956 Holmquist
D178,739 S * 9/1956 Karlin D6/667
3,262,714 A * 7/1966 Langone A47B 31/00
280/79.2
D212,039 S * 8/1968 Appel D32/2
D212,875 S * 12/1968 Slavsky D34/20
D219,913 S * 2/1971 Malm D34/19
D241,489 S * 9/1976 Ziskal D6/663
D288,638 S * 3/1987 Jones D6/671.1
D304,075 S * 10/1989 Welch D24/185
(Continued)

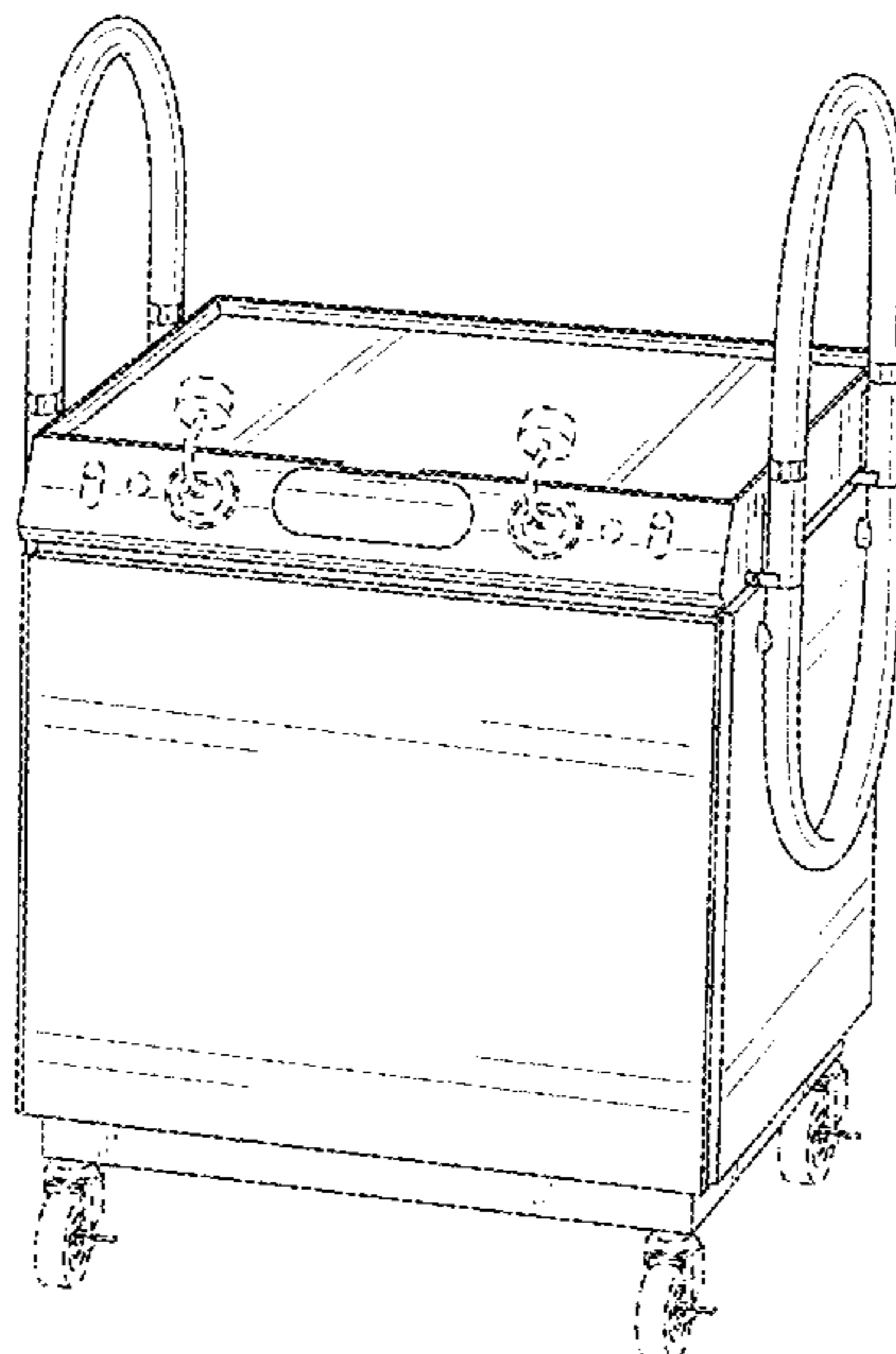
OTHER PUBLICATIONS
Official Action for Australian Patent Application No. 201914680, dated Sep. 27, 2019, 3 pages.
(Continued)

Primary Examiner — Christian P. McLean
Assistant Examiner — Adam C Mager
(74) *Attorney, Agent, or Firm* — Sheridan Ross P.C.

(57) **CLAIM**
The ornamental design for a beverage container support rack, as shown and described.

DESCRIPTION
FIG. 1 is a perspective view of a beverage container support rack;
FIG. 2 is a front elevation view thereof;
FIG. 3 is a rear elevation view thereof;
FIG. 4 is a left elevation view thereof;
FIG. 5 is a right elevation view thereof;
FIG. 6 is a top plan view thereof; and,
FIG. 7 is a bottom plan view thereof.
The broken lines in the drawings illustrate portions of the beverage container support rack which form no part of the claimed design.

1 Claim, 7 Drawing Sheets



(56)

References Cited

U.S. PATENT DOCUMENTS

4,880,248 A * 11/1989 Elmer B25H 5/00
280/47.35
5,016,948 A * 5/1991 Welch A61G 12/001
211/126.15
D329,251 S * 9/1992 Olswold D18/59
D331,334 S * 12/1992 Hollington D6/667
D332,855 S * 1/1993 Royse D24/185
D341,660 S * 11/1993 Blaise D24/185
D341,961 S * 12/1993 Howden D13/184
D353,955 S * 1/1995 Stewart D6/671.1
D361,910 S * 9/1995 Maple D34/19
5,517,928 A * 5/1996 Erdman A47B 13/06
108/158.11
D391,032 S * 2/1998 Delmerico D34/20
D452,621 S * 1/2002 Vidal-Damon D6/671.1
D512,149 S * 11/2005 Bochner D24/185
D517,769 S 3/2006 Post et al.
D520,264 S * 5/2006 Mehmen D6/668.1
D546,017 S * 7/2007 Wise D34/19
D547,920 S * 7/2007 Kinsley B62B 3/10
D34/19
D557,520 S * 12/2007 Samtani D6/675.1
D559,496 S * 1/2008 Zorzo D34/14
D574,570 S * 8/2008 Tsai D34/12
D601,137 S * 9/2009 Koh D14/308
7,595,995 B2 * 9/2009 Hock G06F 1/1632
312/223.2
D604,022 S * 11/2009 Abel D34/17
D621,569 S * 8/2010 Linnell, Jr. D34/19
D637,373 S * 5/2011 Benning D34/19
D671,703 S * 11/2012 Guasta D34/19
D672,575 S * 12/2012 Christopher D6/671.1
D687,774 S * 8/2013 Moore D13/109
8,657,312 B2 * 2/2014 Guasta H02J 7/00
280/79.2
D710,636 S * 8/2014 Lim D6/703
D711,673 S * 8/2014 Lim D6/703

8,851,585 B2 * 10/2014 Chang A47B 81/00
312/263
D730,825 S * 6/2015 Wang D13/109
9,263,869 B2 * 2/2016 Prince H02B 1/52
D778,832 S * 2/2017 Wang D13/109
D787,753 S * 5/2017 Moran D30/143
D824,701 S * 8/2018 Zou D6/671
D850,749 S * 6/2019 Waldner D34/19
D852,365 S * 6/2019 Andre D24/185
D852,448 S 6/2019 Hu
D852,449 S 6/2019 Hu
D855,179 S * 7/2019 Butler D24/128
D858,927 S * 9/2019 Wolford D34/14
D864,624 S * 10/2019 Vandenhame D6/671.1
D903,729 S * 12/2020 Etgar D15/79
D909,113 S * 2/2021 Etgar D7/307
D911,082 S * 2/2021 Etgar D6/675.1
2005/0206280 A1 * 9/2005 Mehmen A47B 67/04
312/257.1
2005/0212239 A1 * 9/2005 Carter A61L 2/24
280/47.35
2008/0106173 A1 * 5/2008 Konopka B65G 1/04
312/35
2011/0309591 A1 * 12/2011 Petrick H01R 24/62
280/47.35
2015/0107627 A1 * 4/2015 Snyder A61B 50/10
134/22.1
2016/0113395 A1 * 4/2016 Martell B62B 3/00
312/234.1

OTHER PUBLICATIONS

Official Action for U.S. Appl. No. 29/681,367, dated Sep. 3, 2020,
6 pages. Restriction Requirement.
Notice of Allowance for U.S. Appl. No. 29/681,367, dated Oct. 15,
2020, 6 pages.
Corrected Notice of Allowance for U.S. Appl. No. 29/681,367,
dated Jan. 25, 2021, 2 pages.

* cited by examiner

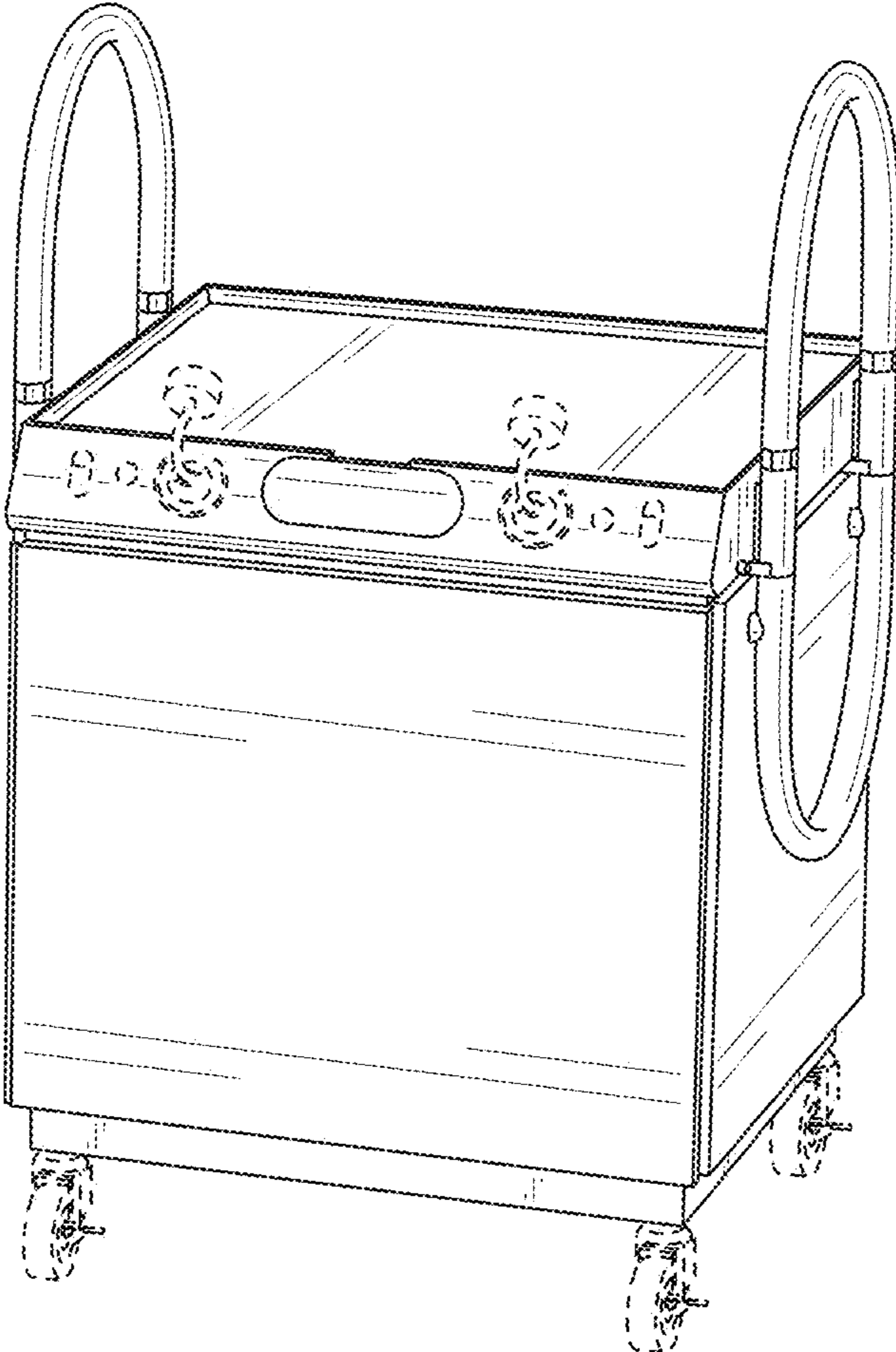


FIG. 1

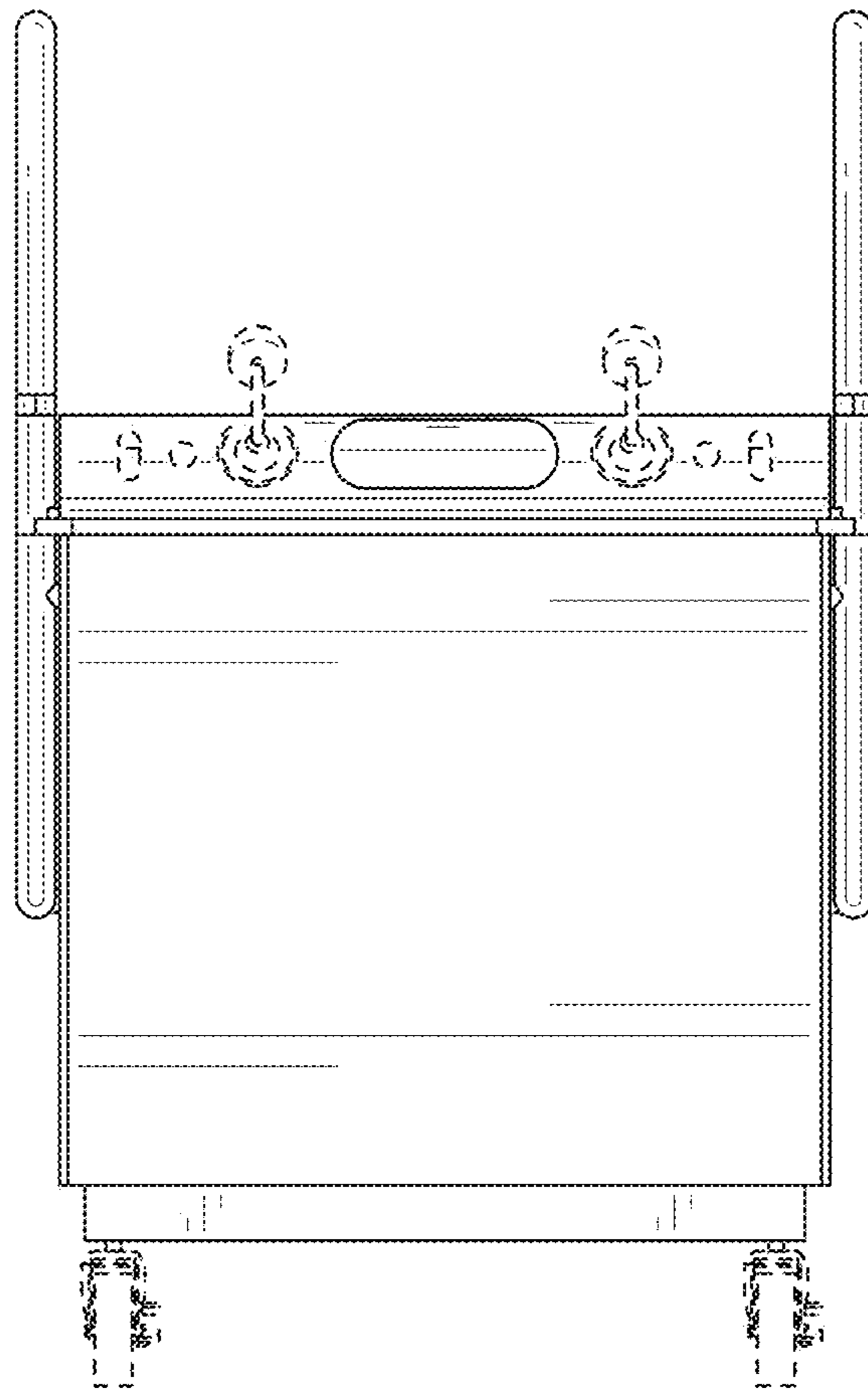


FIG. 2

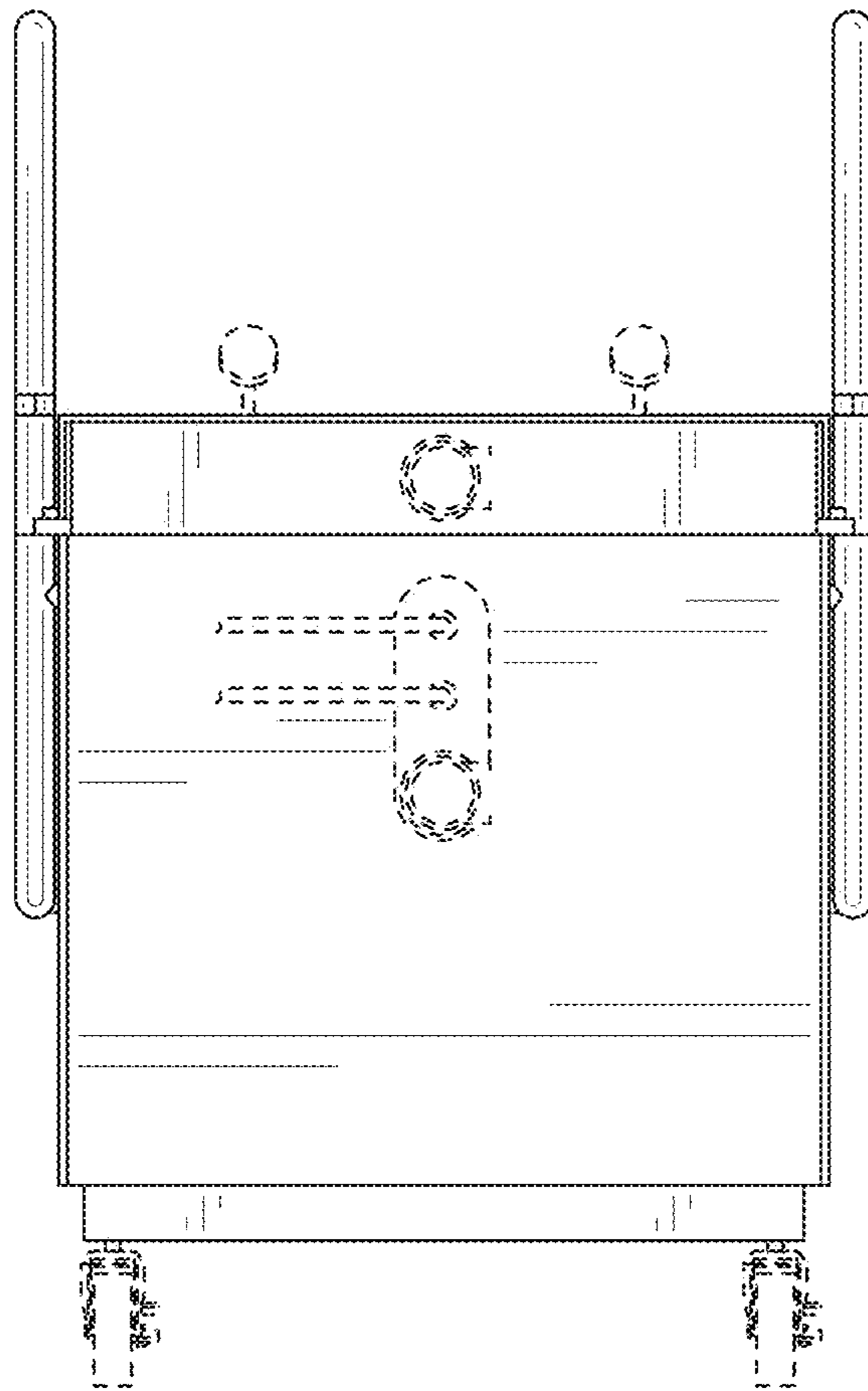


FIG. 3

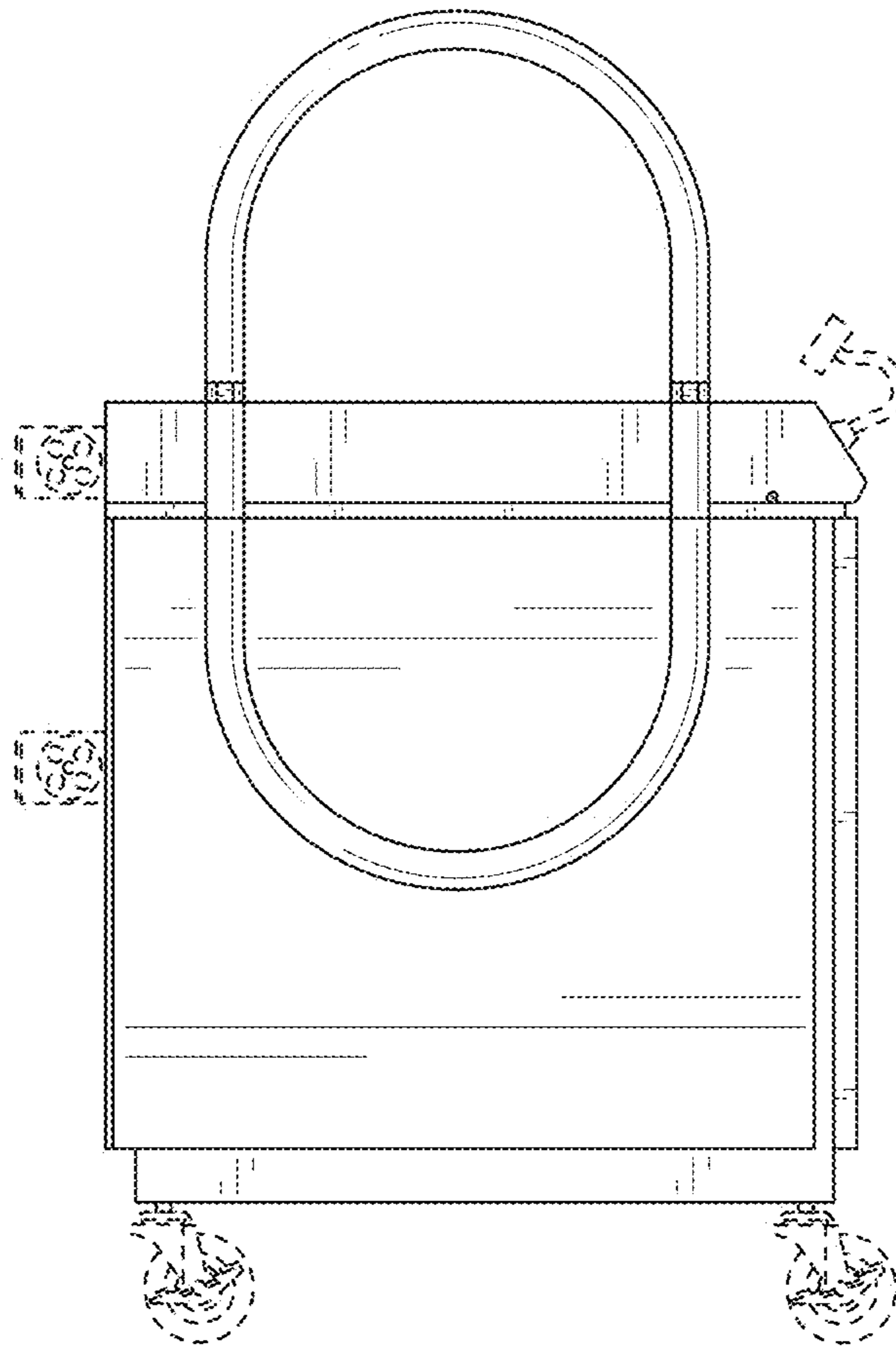


FIG. 4

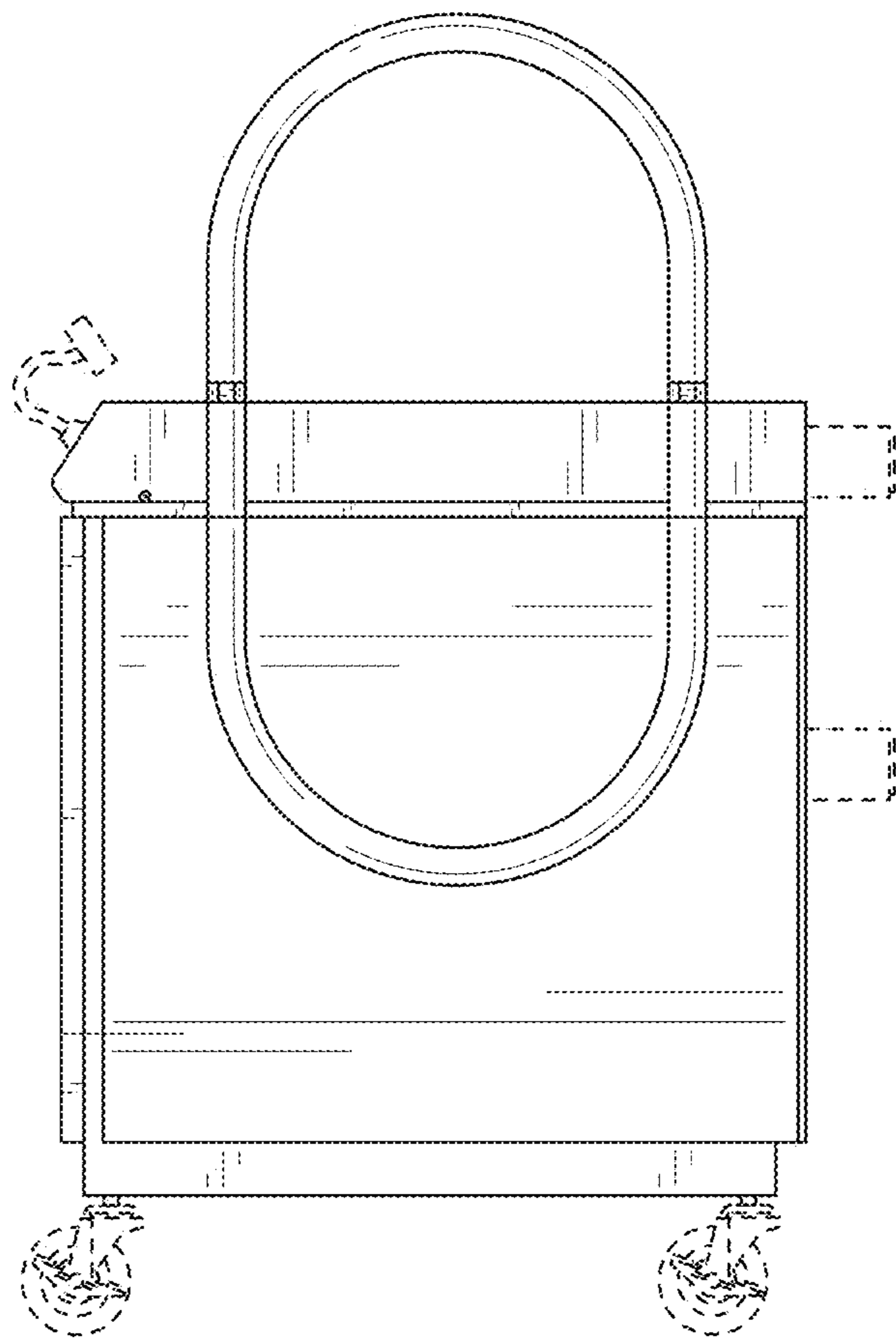


FIG. 5

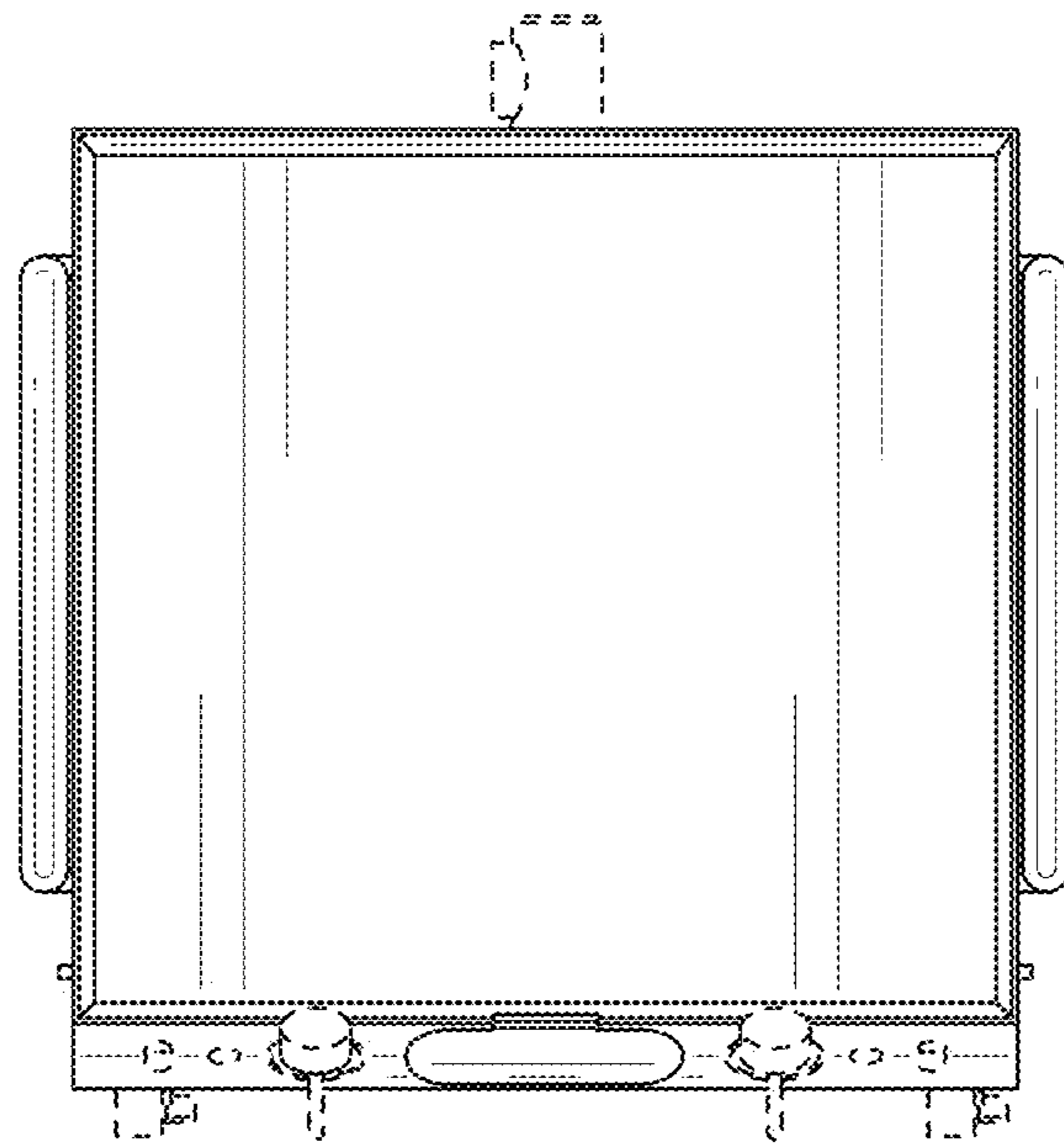


FIG. 6

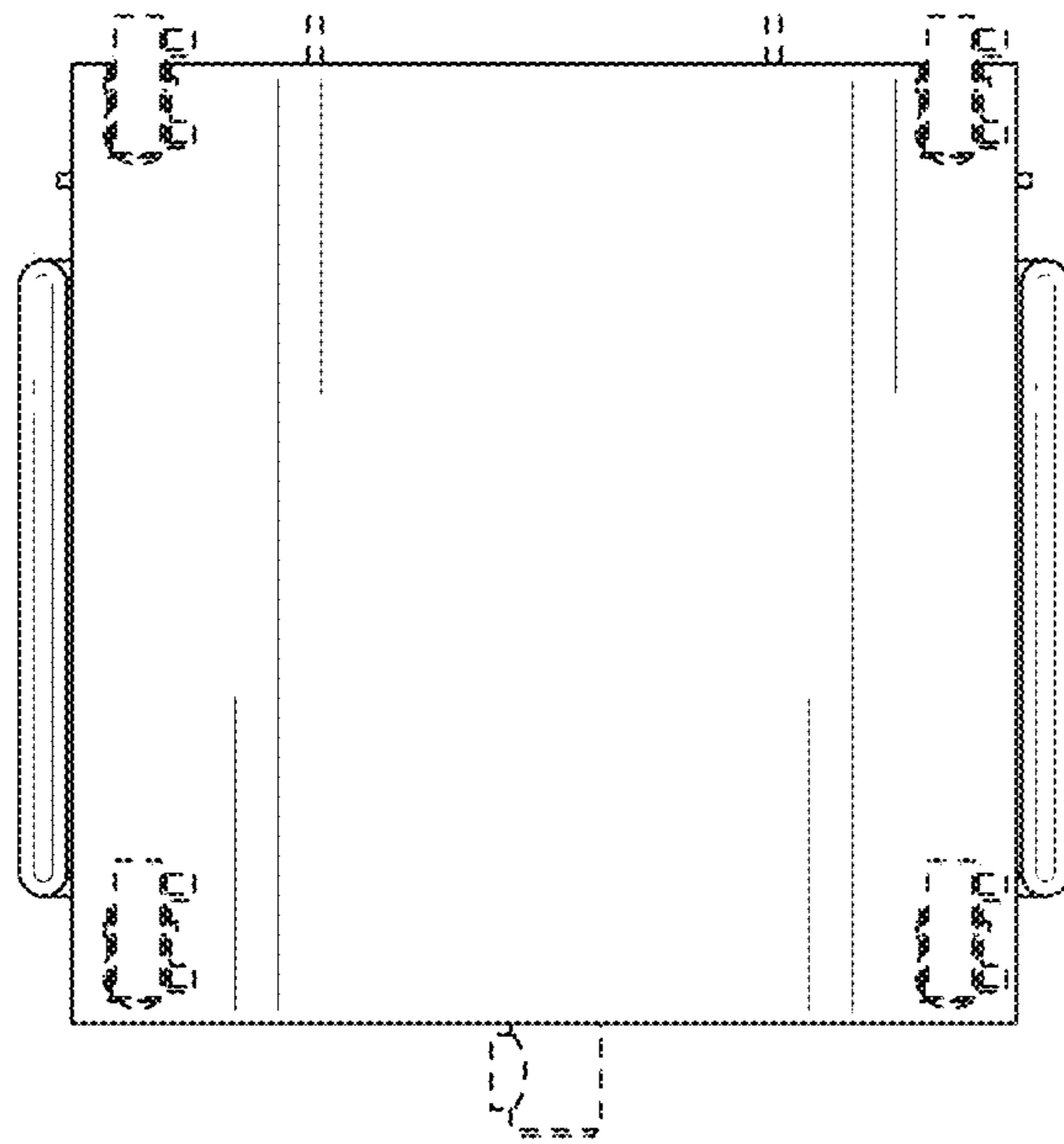


FIG. 7