



US00D932815S

(12) **United States Design Patent** (10) **Patent No.:** **US D932,815 S**  
**Polidoros et al.** (45) **Date of Patent:** **\*\* Oct. 12, 2021**

(54) **CATERING TOWER**

*Primary Examiner* — Kelley A Donnelly

(71) Applicant: **IHS Global Design Pty Ltd,**  
Melbourne (AU)

(74) *Attorney, Agent, or Firm* — Saidman DesignLaw  
Group, LLC

(72) Inventors: **Nicholas Polidoros,** Mitcham (AU);  
**Glenn Bevan,** Melbourne (AU)

(57) **CLAIM**

(73) Assignee: **IHS Global Design Pty Ltd**

The ornamental design for a catering tower, as shown and  
described.

(\*\*) Term: **15 Years**

(21) Appl. No.: **29/682,507**

(22) Filed: **Mar. 6, 2019**

**DESCRIPTION**

(30) **Foreign Application Priority Data**

Sep. 6, 2018 (AU) ..... 201815386  
Sep. 6, 2018 (AU) ..... 201815387  
Sep. 6, 2018 (AU) ..... 201815388

(51) **LOC (13) Cl.** ..... **06-06**

(52) **U.S. Cl.**  
USPC ..... **D6/675.1**

(58) **Field of Classification Search**  
USPC ..... D6/657, 672, 673, 675, 675.1, 682,  
D6/682.1, 682.2; D34/12, 14  
CPC .. A47F 1/00; A47F 5/0018; A47F 7/00; A47F  
7/0064; A47B 45/00; A47B 47/04; A47B  
57/00; A47B 57/50; A47B 63/00; A47B  
47/021; A47B 47/0083; A47B 47/0008;  
A47B 81/00; A47B 81/04; A47B 55/00  
See application file for complete search history.

FIG. 1 is a top perspective view of a catering tower showing  
our new design;  
FIG. 2 is a bottom perspective view thereof;  
FIG. 3 is a top view thereof;  
FIG. 4 is a bottom view thereof;  
FIG. 5 is a left side view thereof;  
FIG. 6 is a right side view thereof;  
FIG. 7 is a front view thereof, the rear view being a mirror  
image;  
FIG. 8 is a top perspective view of a second embodiment  
thereof;  
FIG. 9 is a bottom perspective view thereof;  
FIG. 10 is a top view thereof;  
FIG. 11 is a bottom view thereof;  
FIG. 12 is a left side view thereof;  
FIG. 13 is a right side view thereof;  
FIG. 14 is a front view thereof, the rear view being a mirror  
image;  
FIG. 15 is a top perspective view of a third embodiment  
thereof;  
FIG. 16 is a bottom perspective view thereof;  
FIG. 17 is a top view thereof;  
FIG. 18 is a bottom view thereof;  
FIG. 19 is a left side view thereof;  
FIG. 20 is a right side view thereof; and,  
FIG. 21 is a front view thereof, the rear view being a mirror  
image.

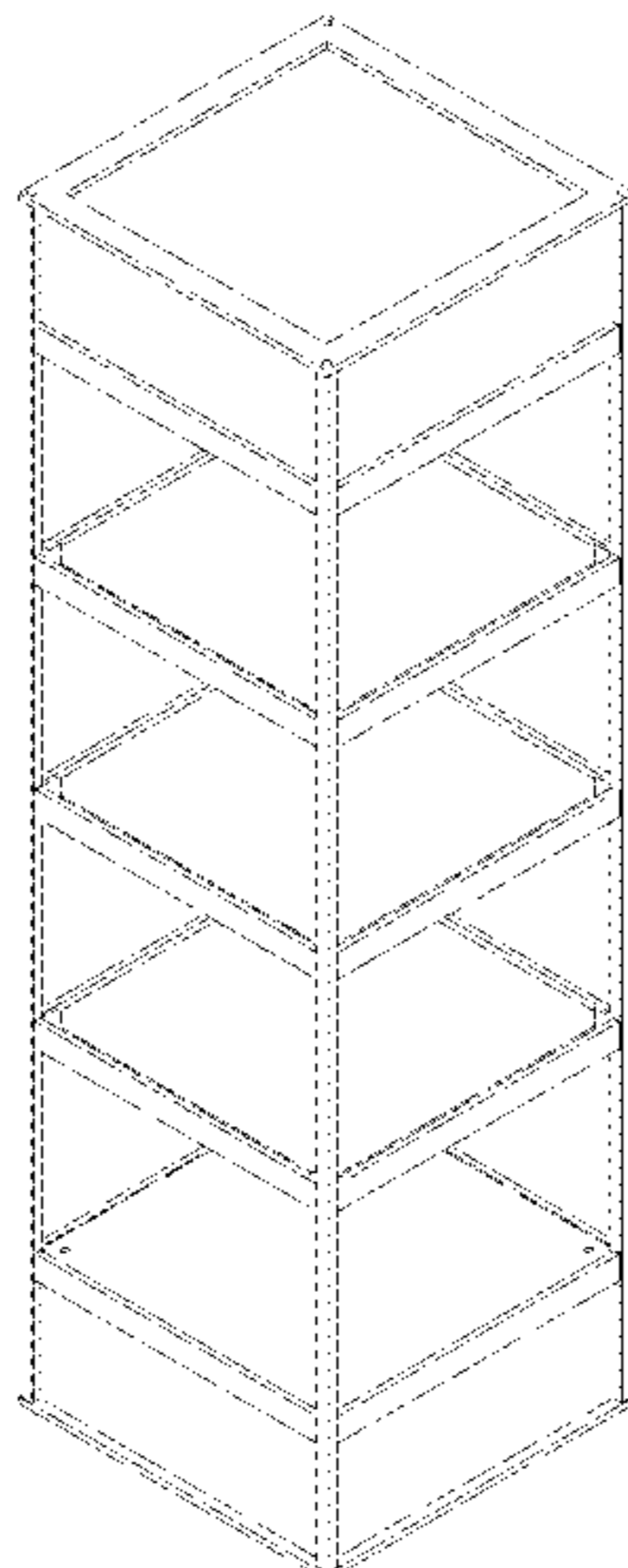
(56) **References Cited**

**U.S. PATENT DOCUMENTS**

D234,894 S \* 4/1975 Vandenbeuck ..... D6/675.1  
D236,676 S \* 9/1975 Urti ..... D6/675.1  
4,064,995 A \* 12/1977 Bustos ..... A47B 57/402  
211/187  
4,182,244 A \* 1/1980 Hutchins, Jr. .... A47B 47/06  
108/53.1  
D301,952 S \* 7/1989 Everett ..... D6/675.1

(Continued)

**1 Claim, 18 Drawing Sheets**



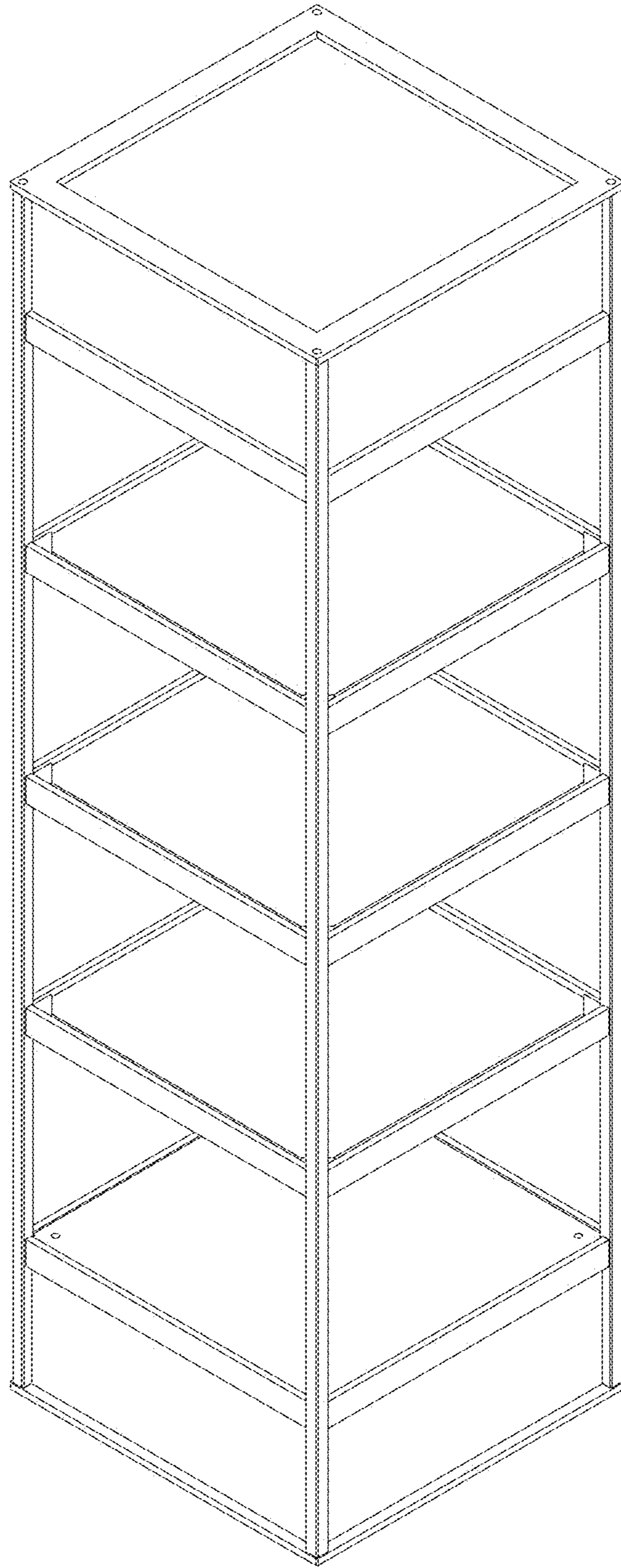
(56)

**References Cited**

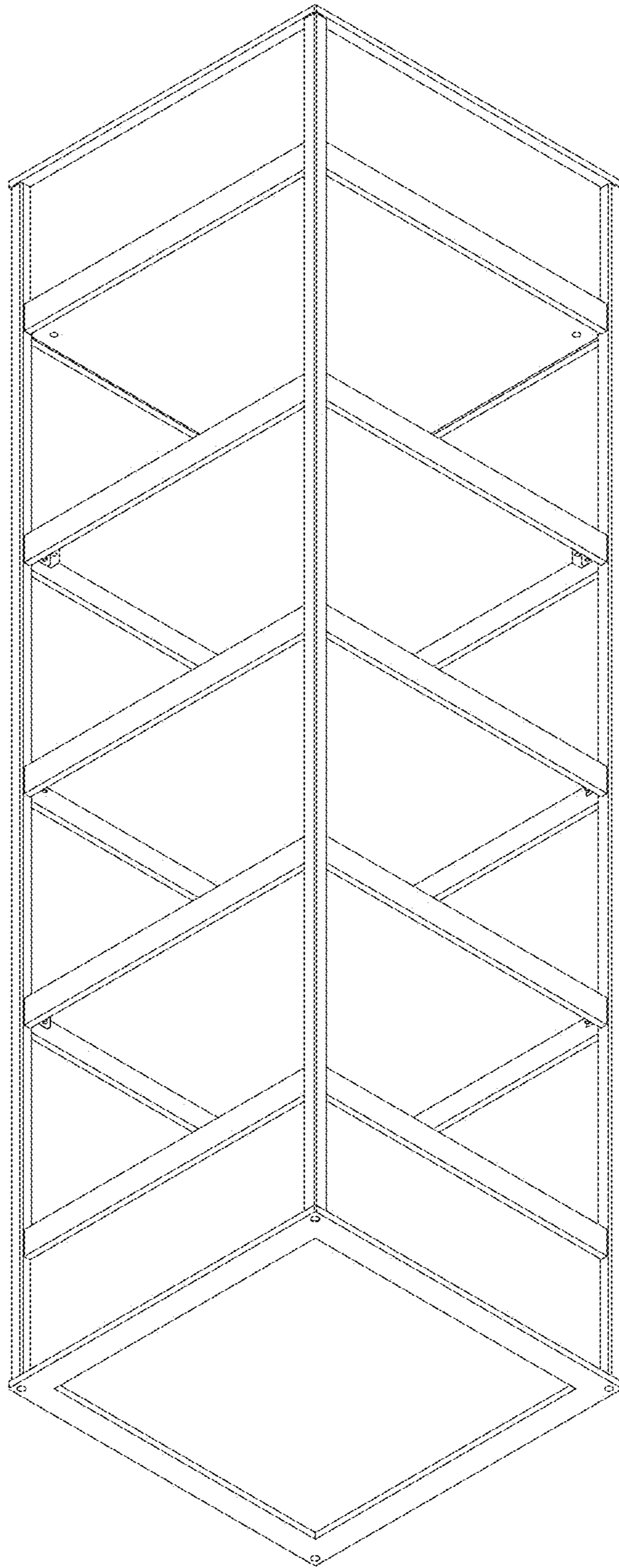
U.S. PATENT DOCUMENTS

D330,472 S \* 10/1992 Wells ..... D6/675.1  
D365,226 S \* 12/1995 Goebel ..... D6/675.2  
5,685,238 A \* 11/1997 Chambers ..... A47B 47/024  
108/158.12  
D491,003 S \* 6/2004 Moon ..... D6/675.1  
D706,557 S \* 6/2014 Meissner ..... D6/675.1  
D731,823 S \* 6/2015 Kelinske ..... D6/675.1  
D857,427 S \* 8/2019 Bird ..... D6/675  
D891,831 S \* 8/2020 Davis ..... D6/675.1  
10,750,866 B2 \* 8/2020 Grupenhof ..... A47F 5/116  
2011/0017691 A1 \* 1/2011 Wu ..... A47B 47/005  
211/153

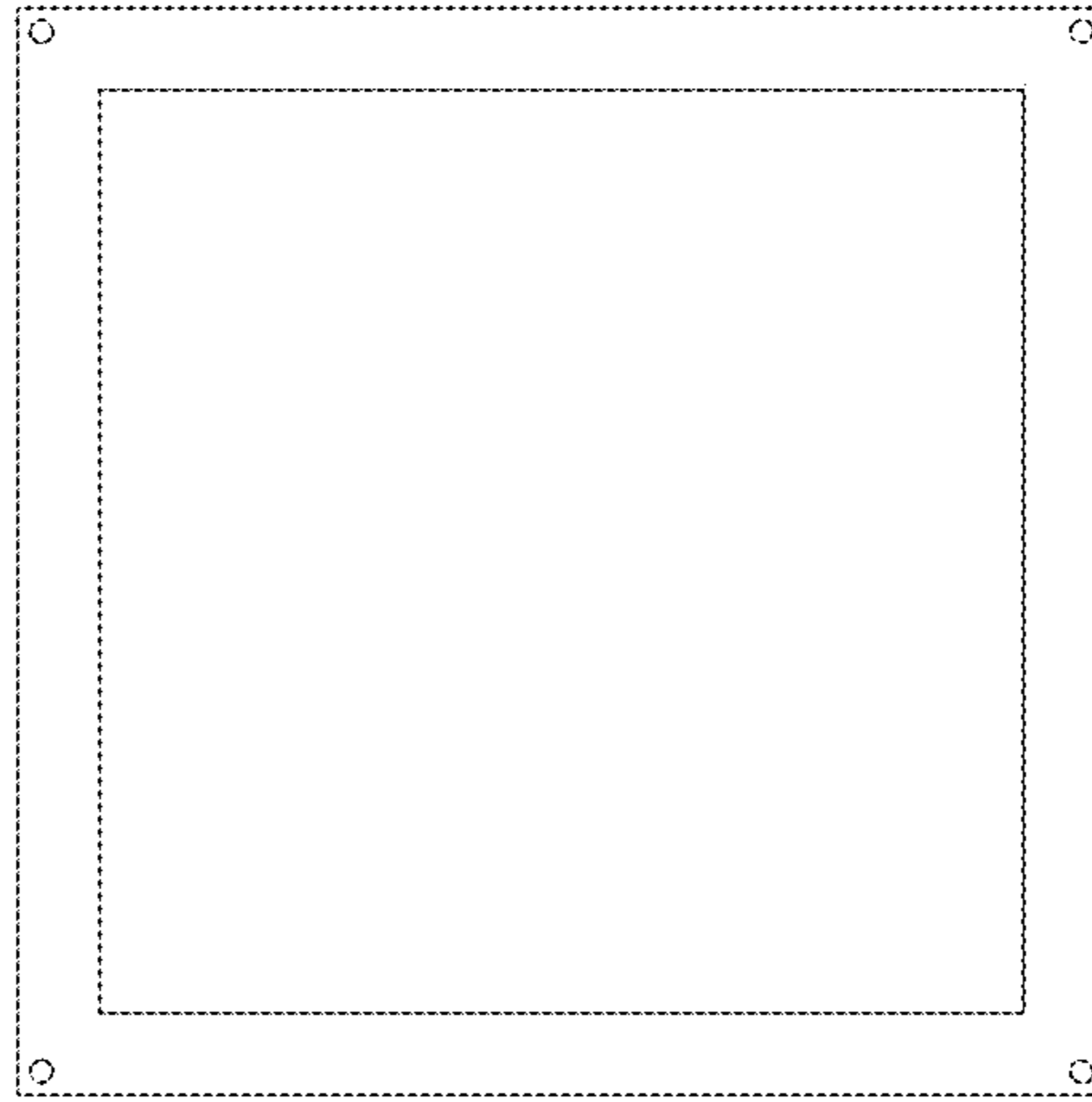
\* cited by examiner



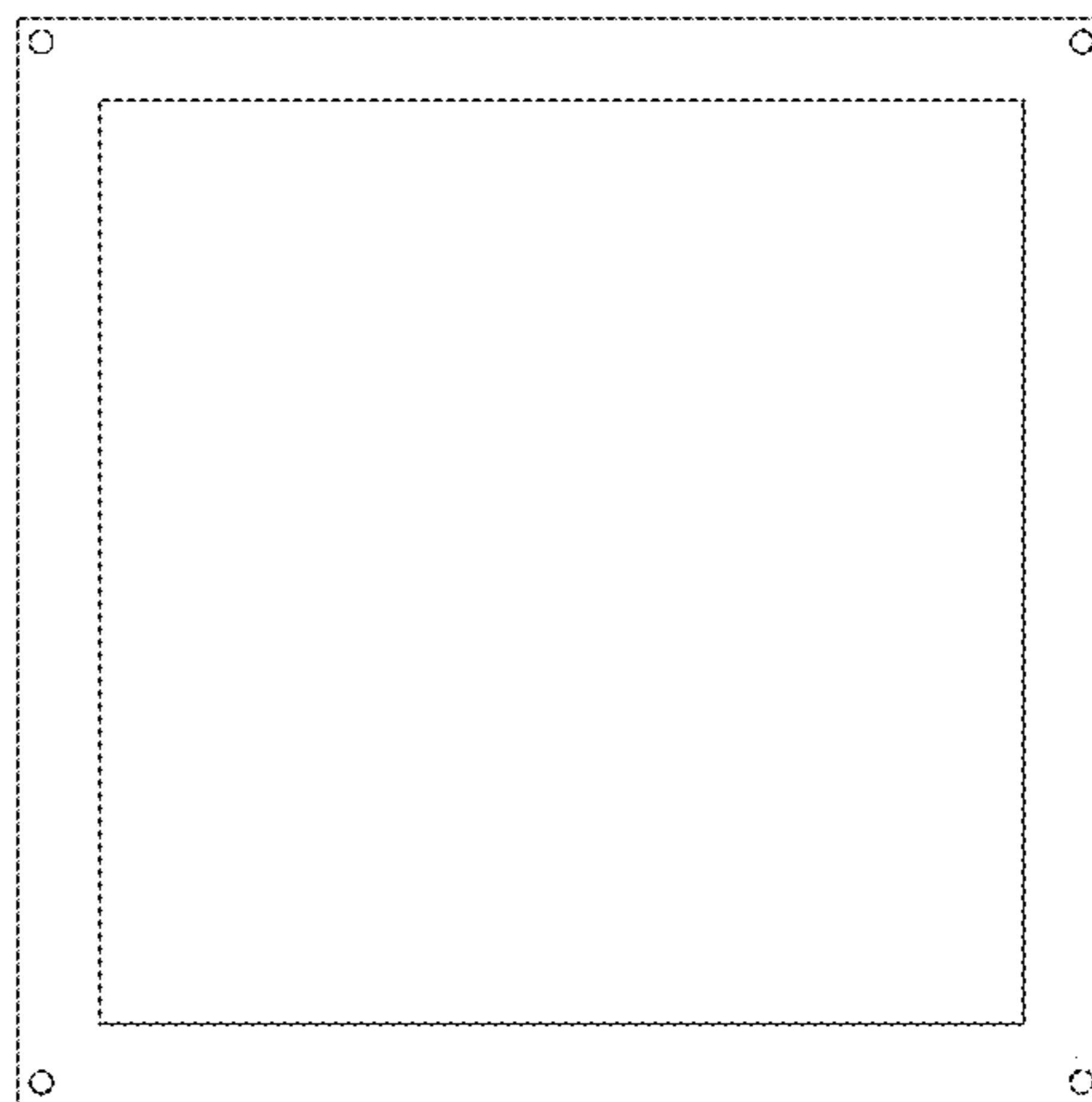
**FIG. 1**



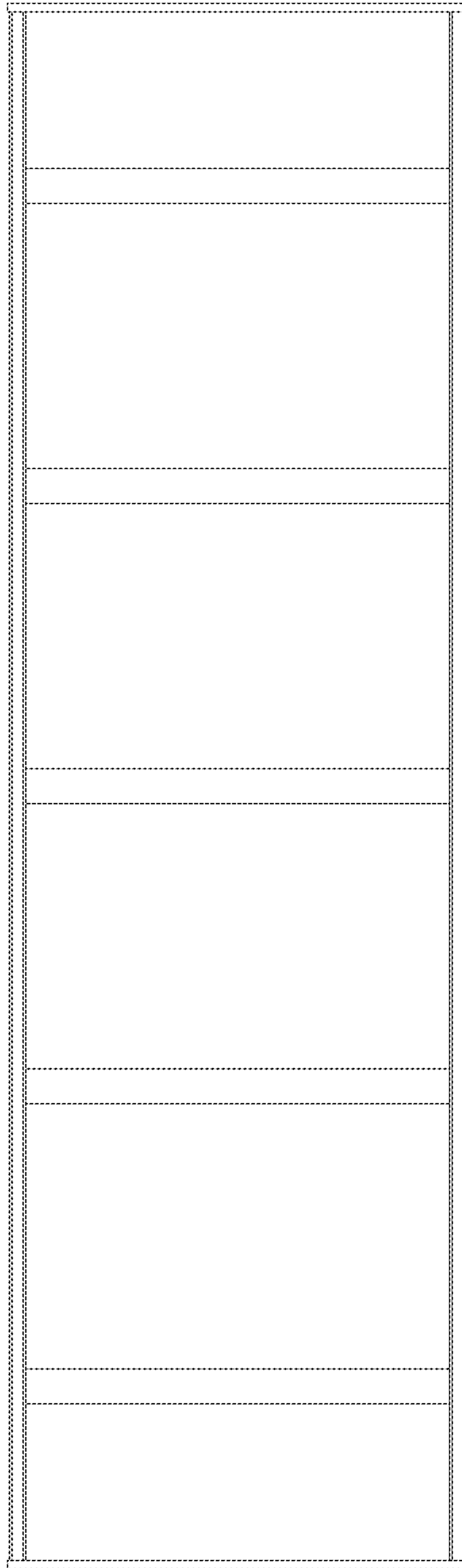
**FIG. 2**



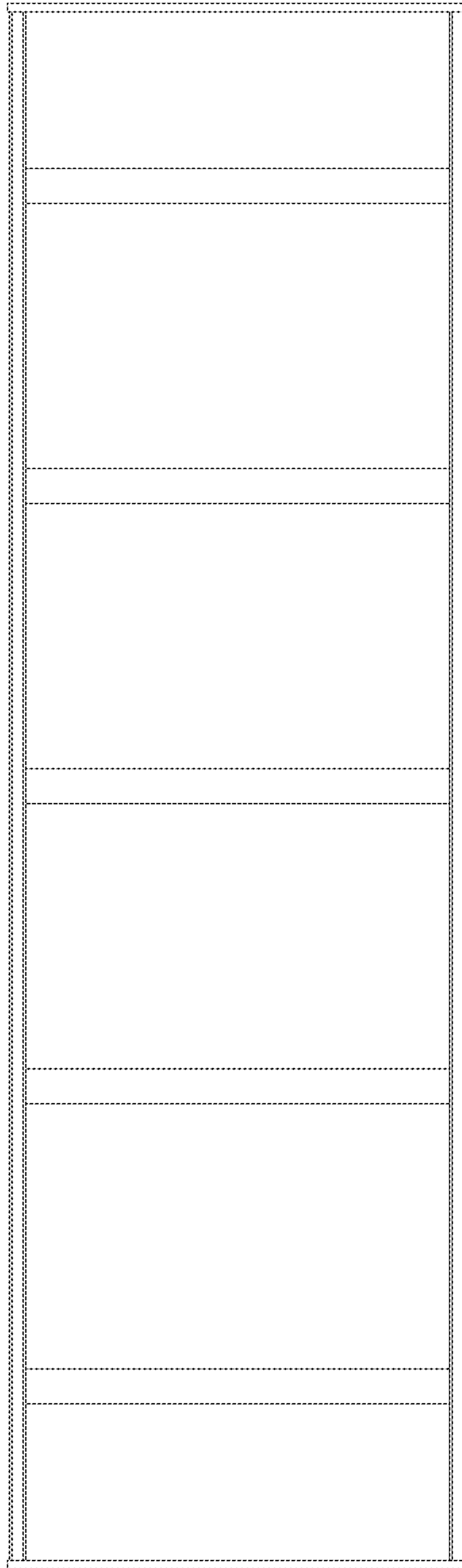
**FIG. 3**



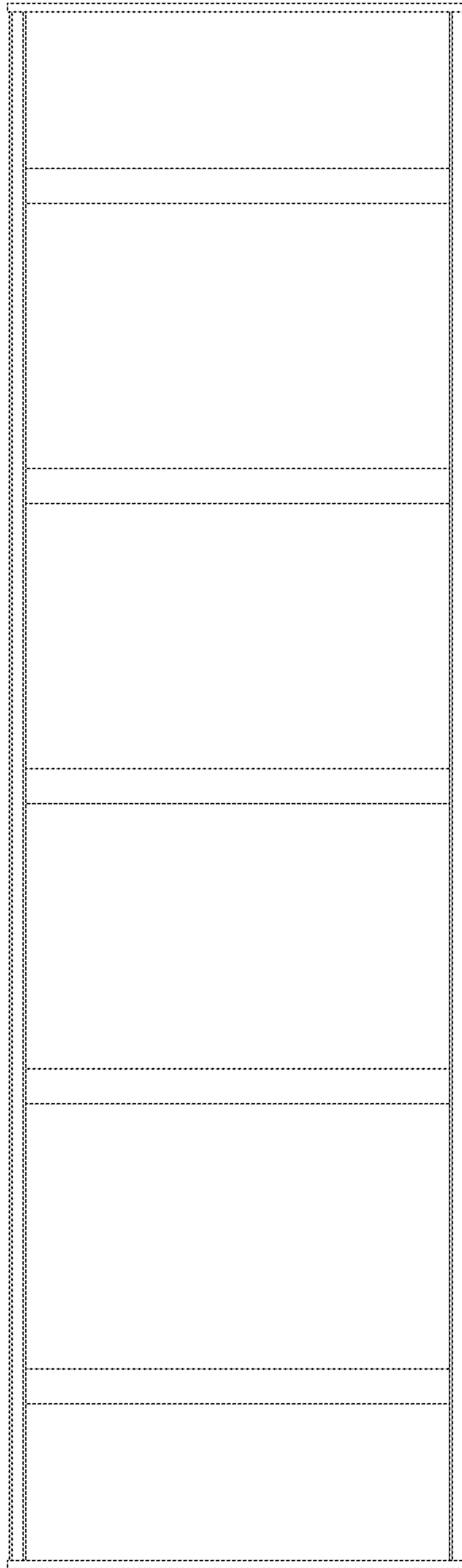
**FIG. 4**



**FIG. 5**

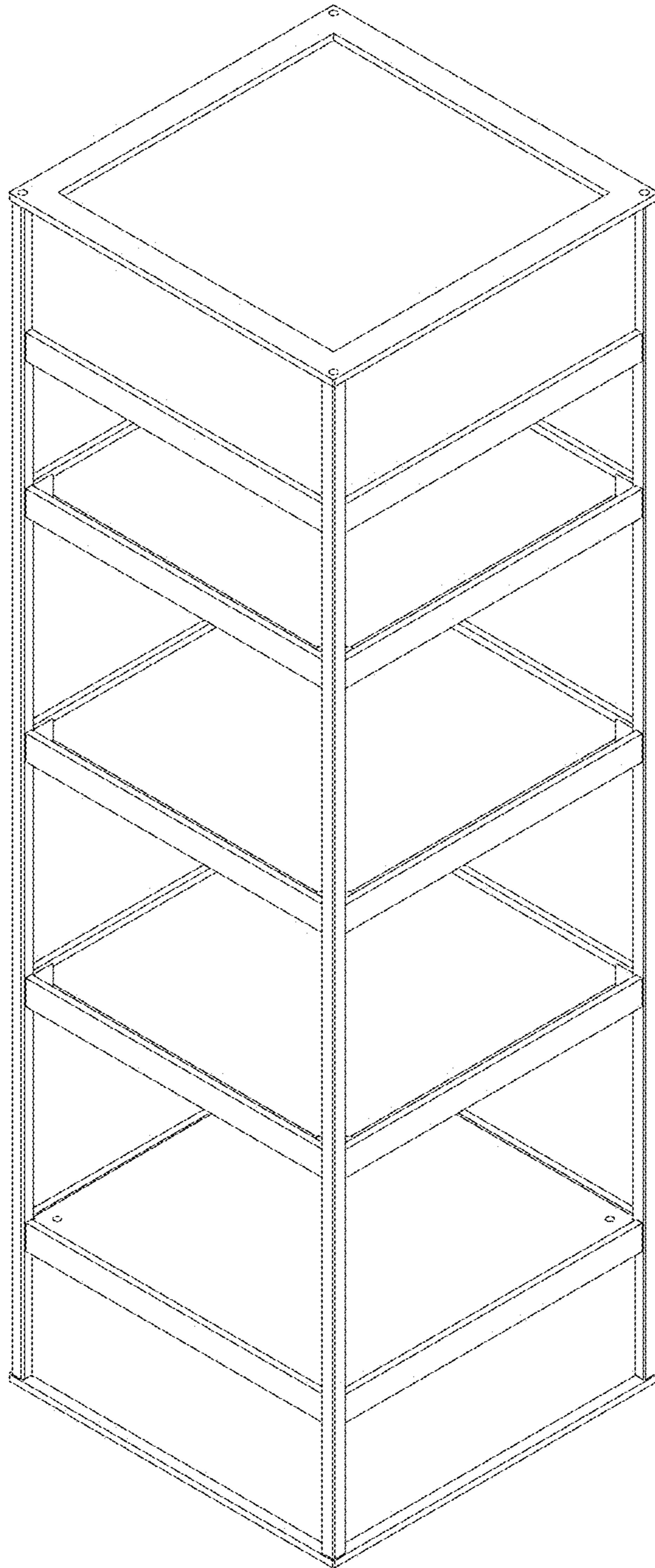


**FIG. 6**

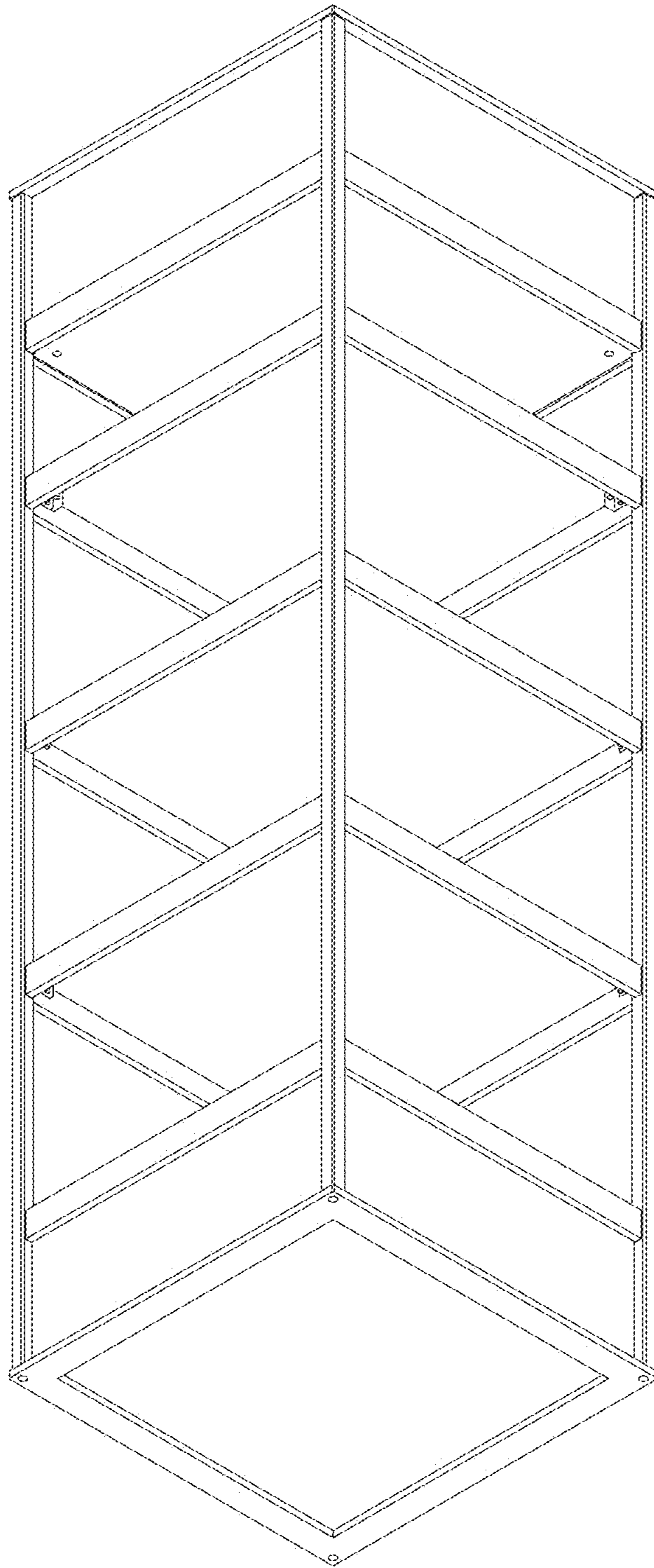


**FIG. 7**

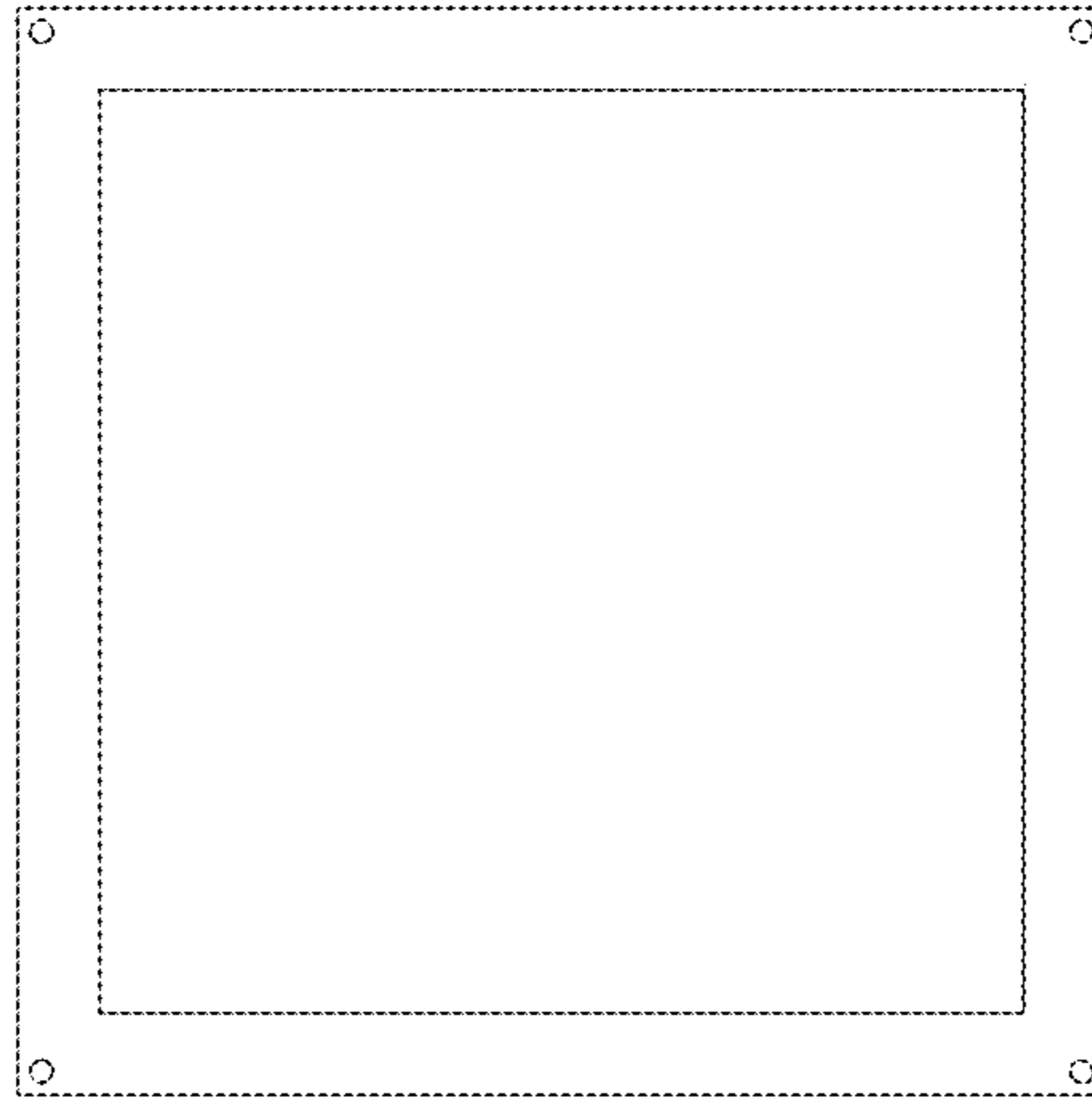




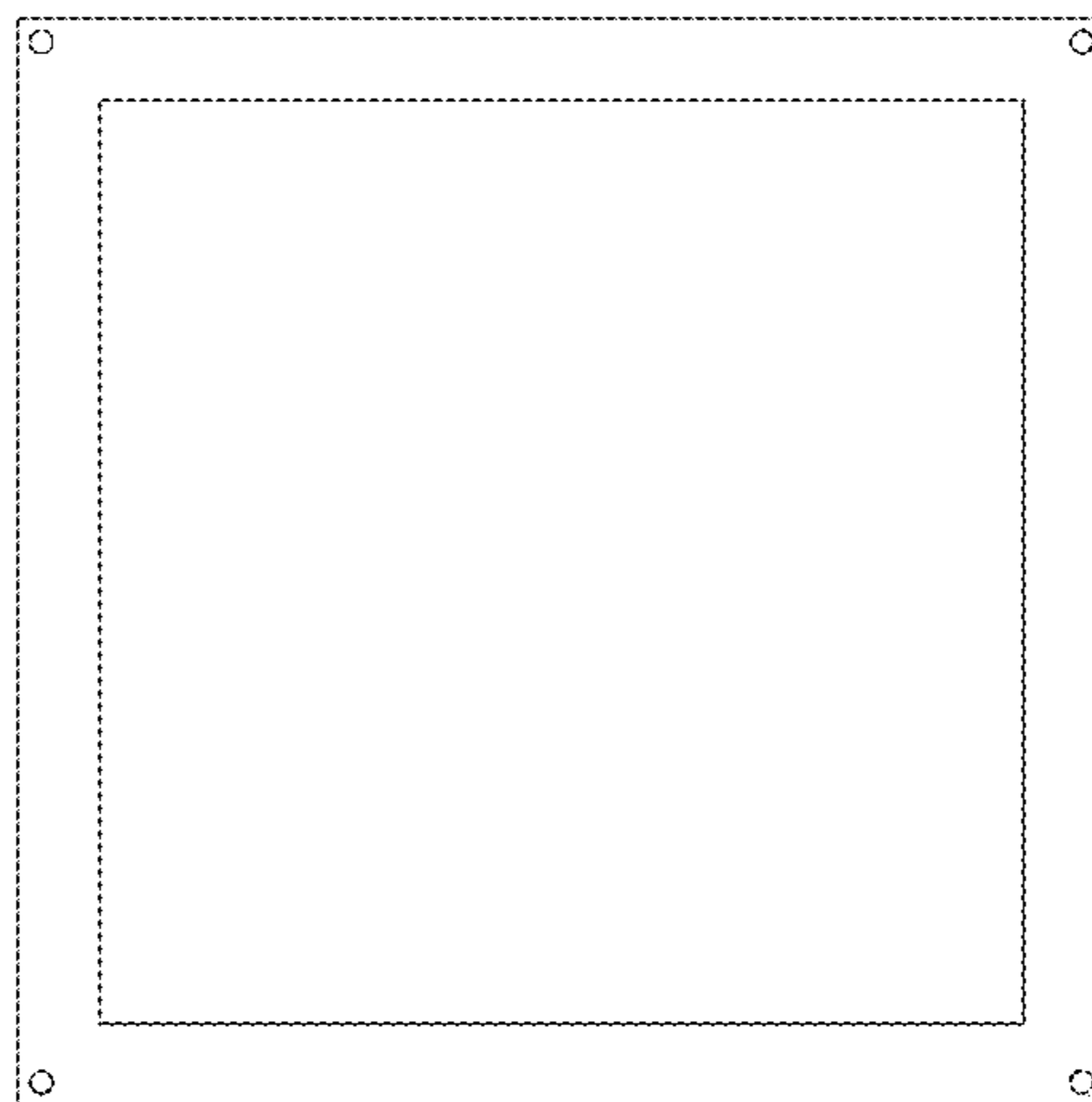
**FIG. 8**



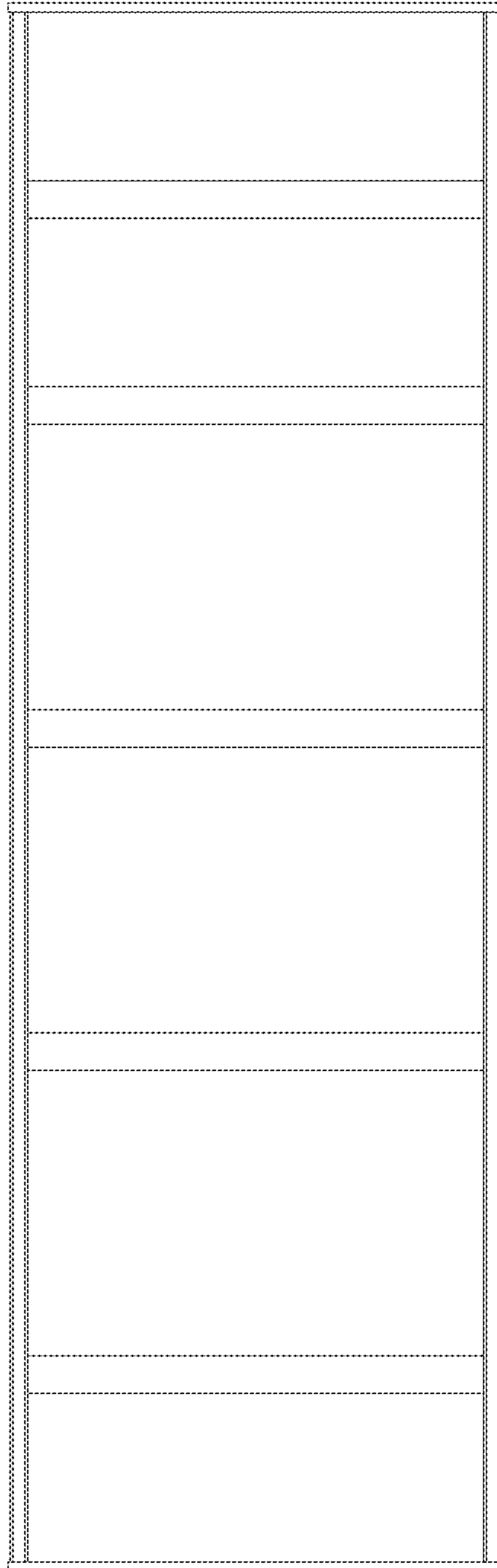
**FIG. 9**



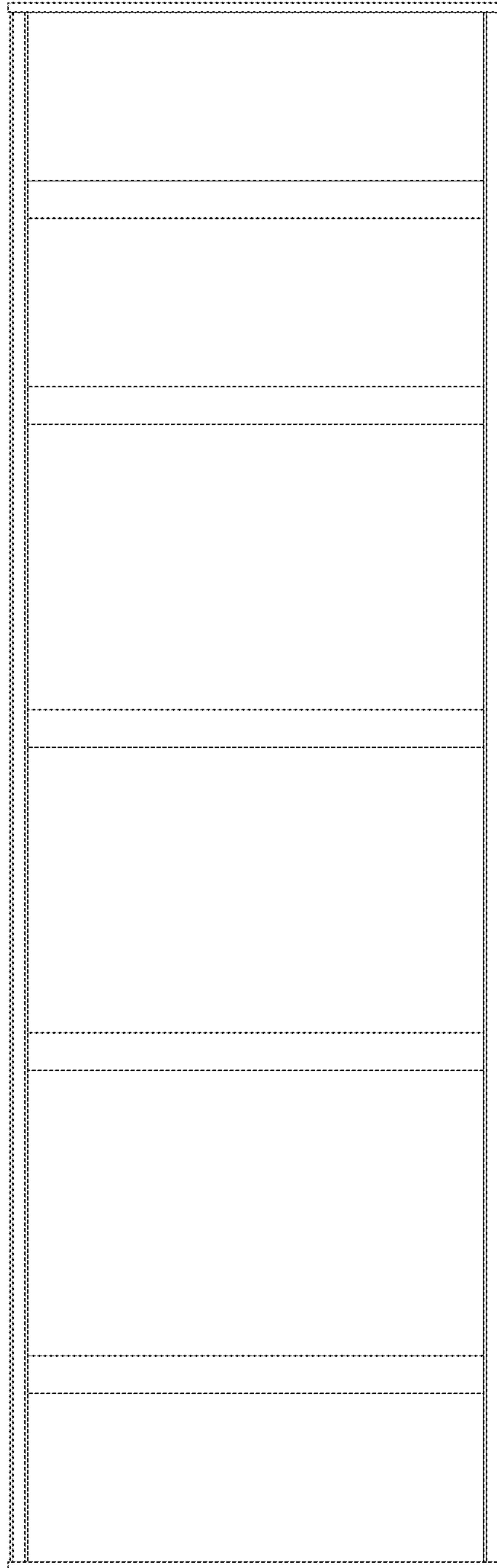
**FIG. 10**



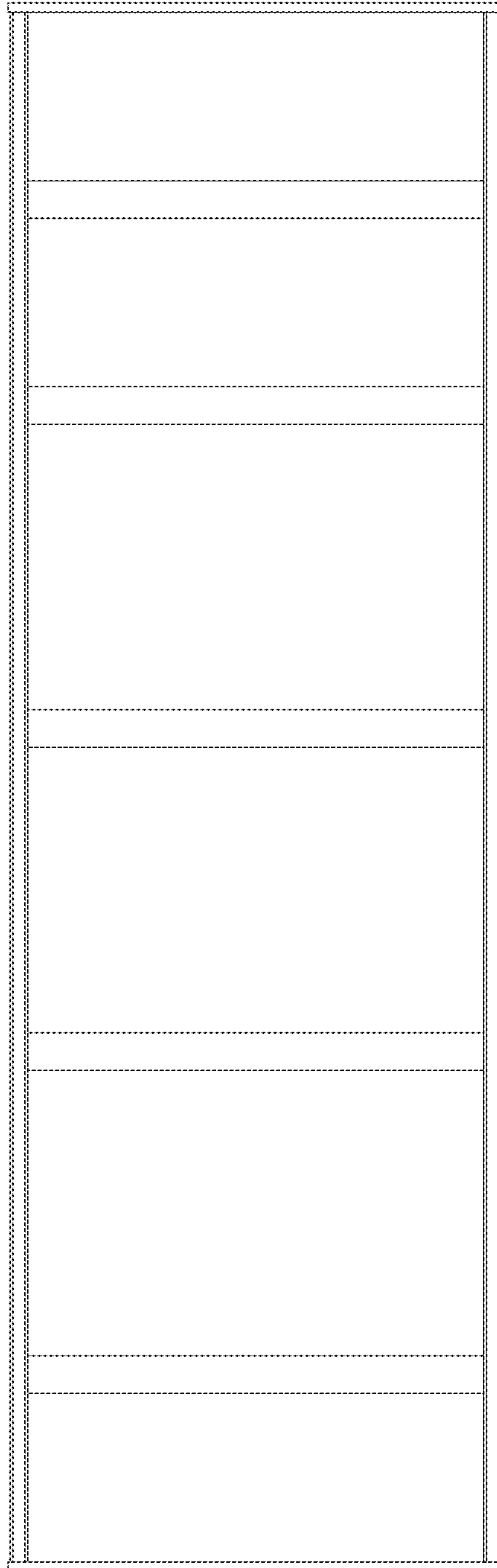
**FIG. 11**



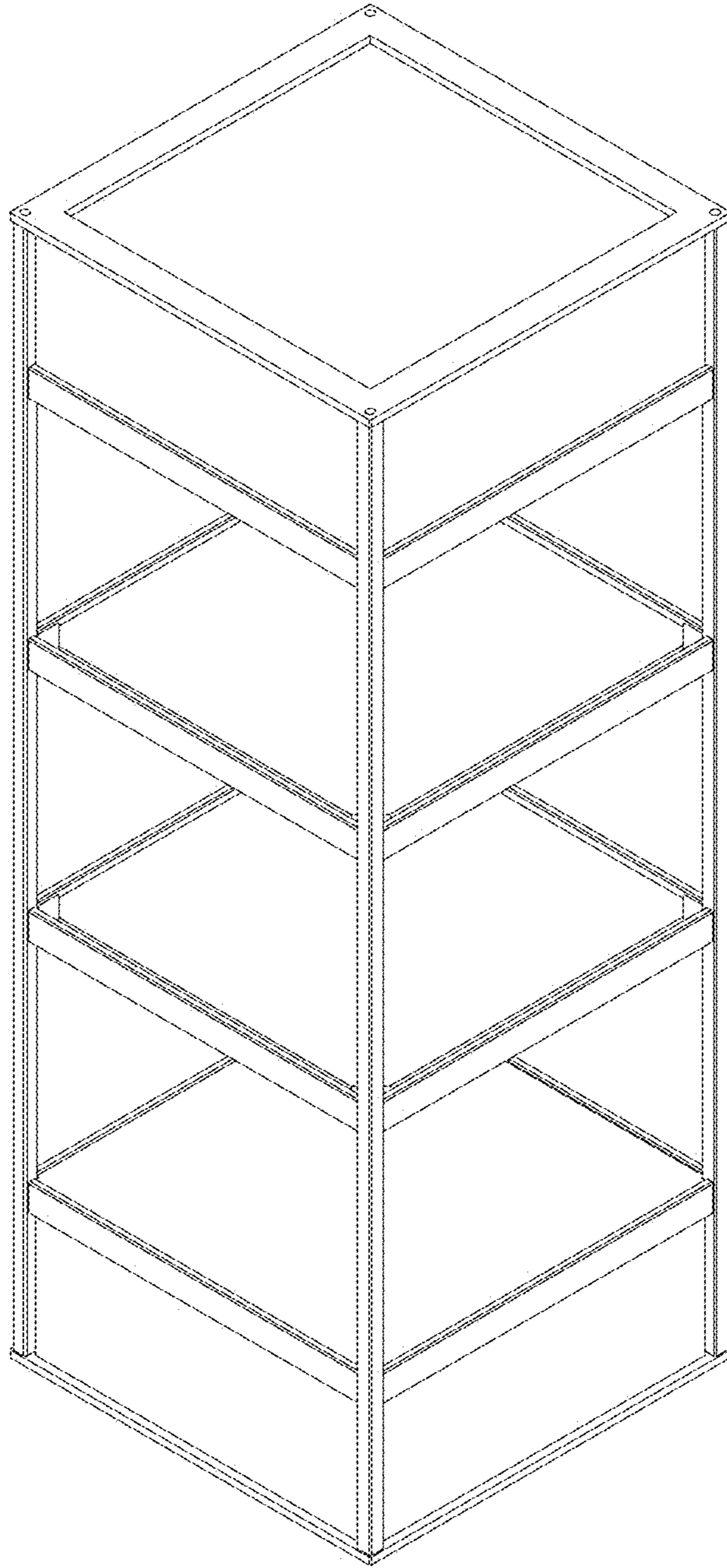
**FIG. 12**



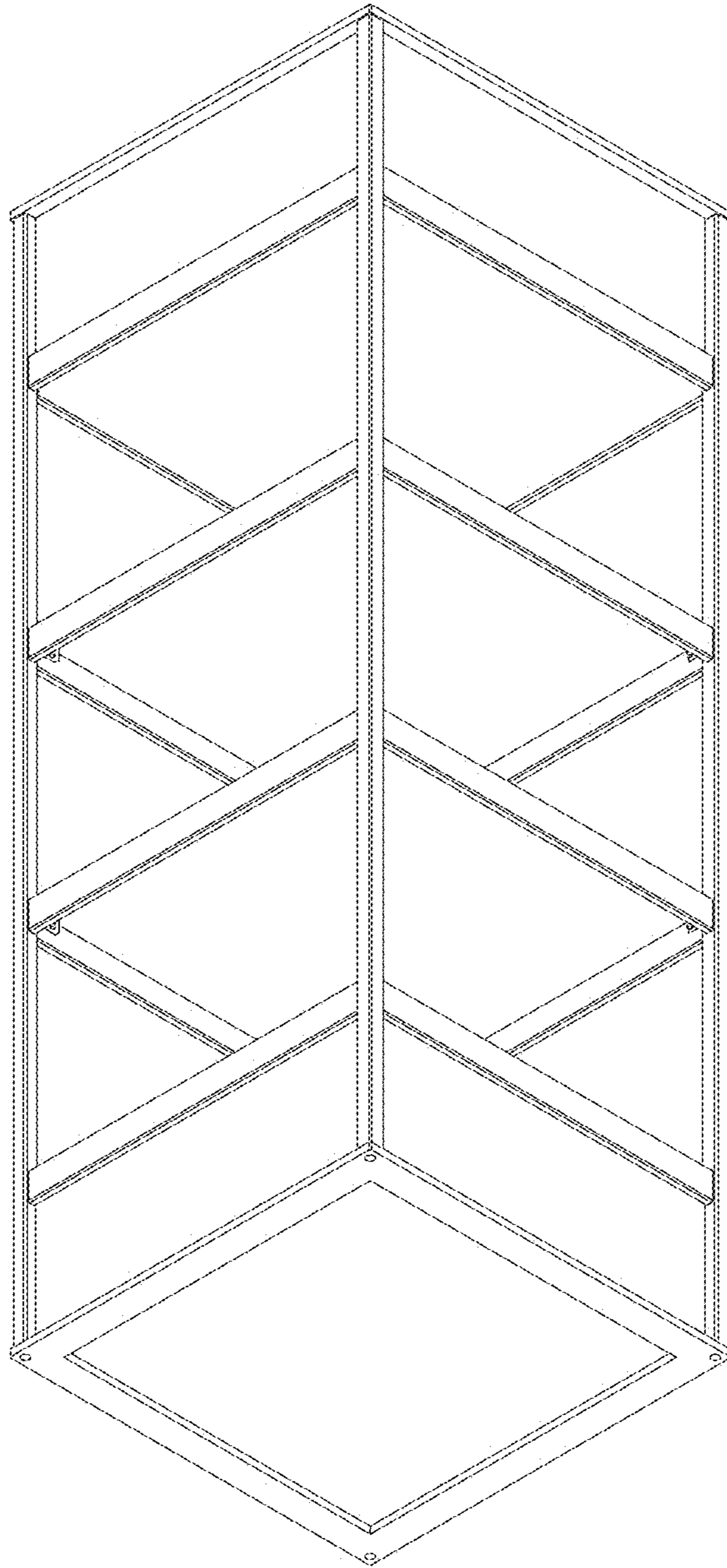
**FIG. 13**



**FIG. 14**

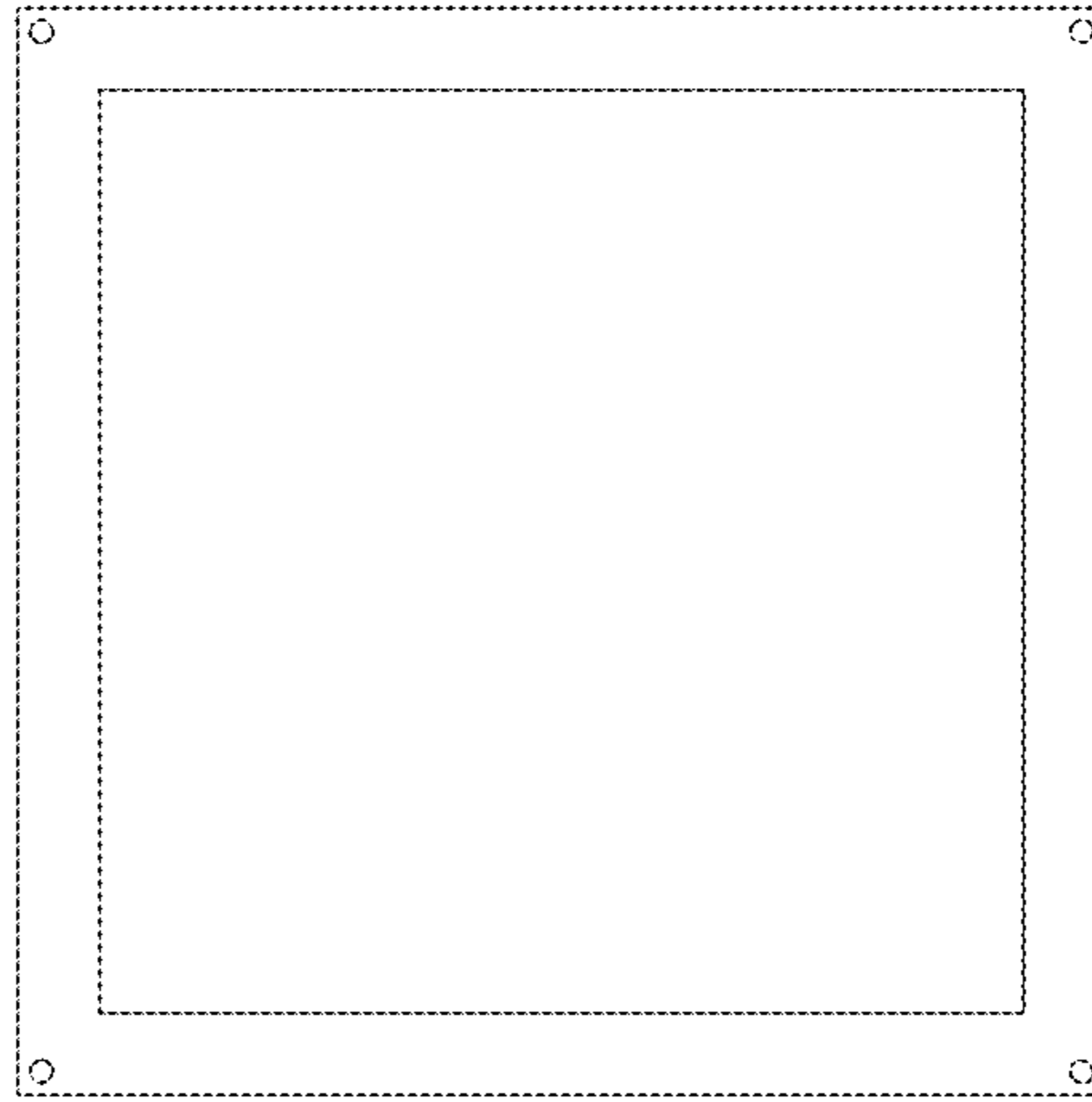


**FIG. 15**

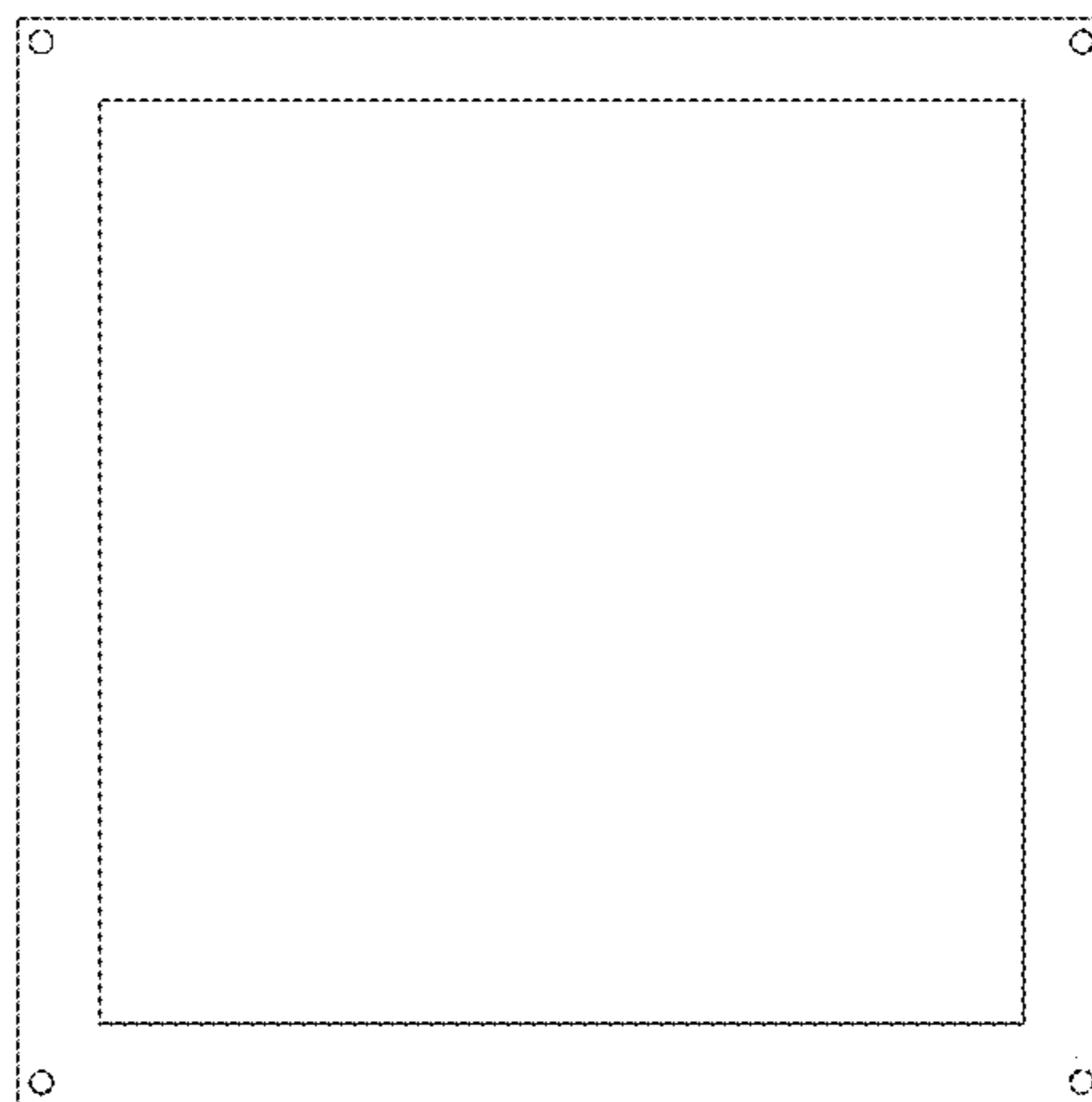


**FIG. 16**

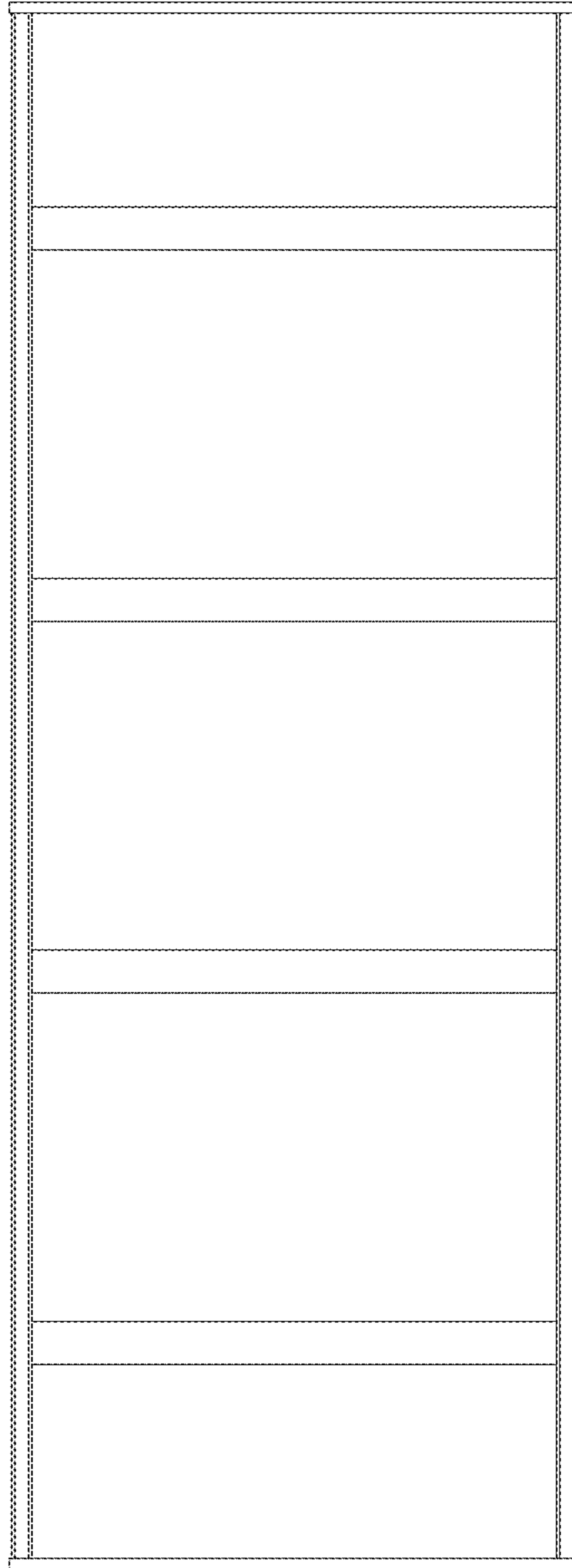




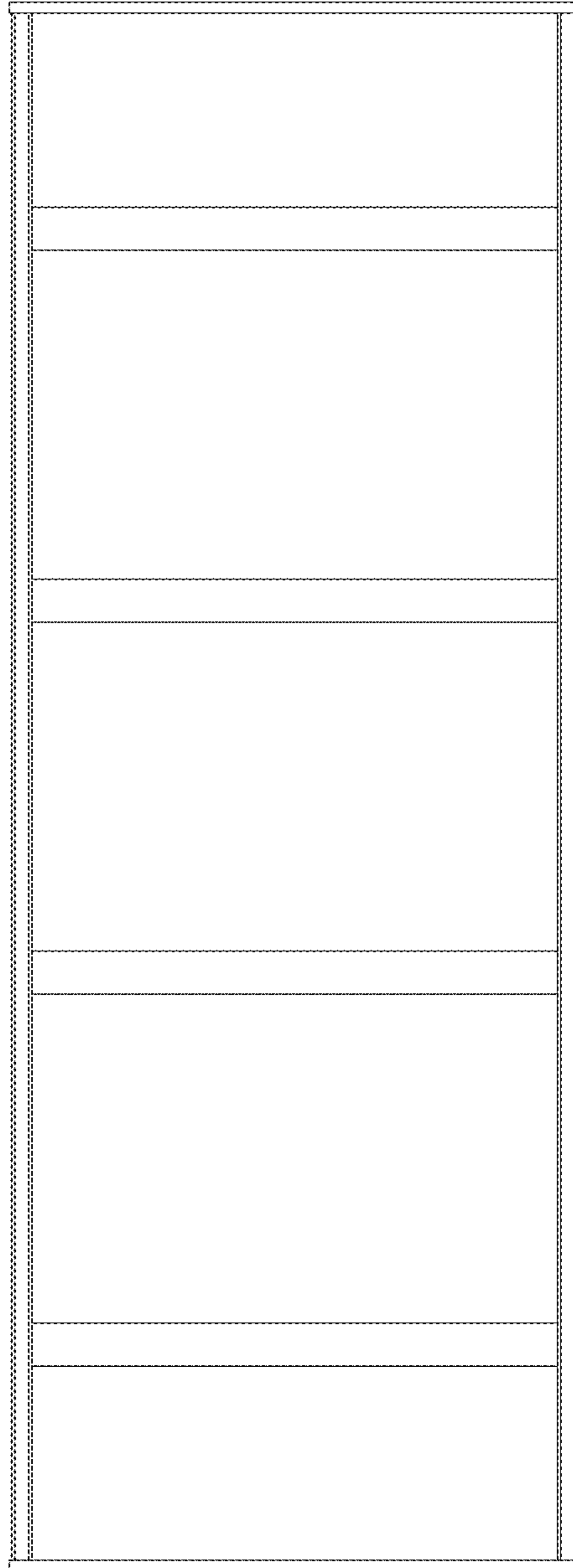
**FIG. 17**



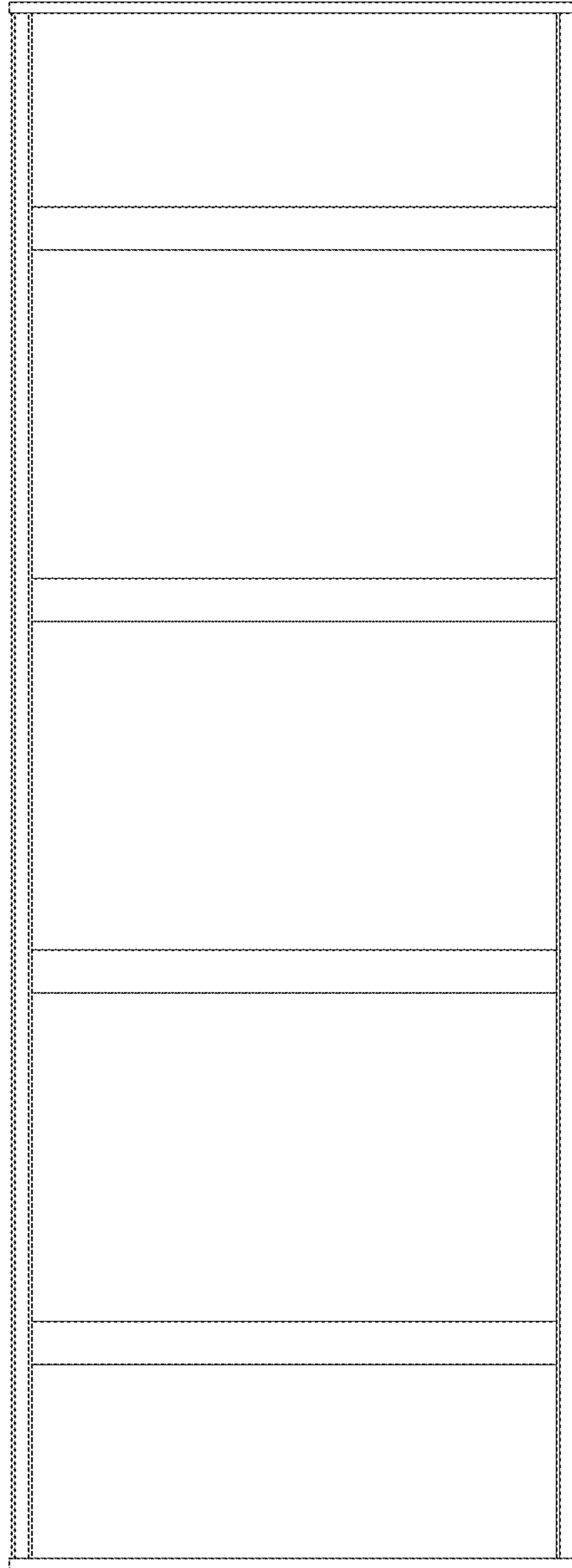
**FIG. 18**



**FIG. 19**



**FIG. 20**



**FIG. 21**