



US00D932813S

(12) **United States Design Patent**
Sabounjian et al.

(10) **Patent No.:** **US D932,813 S**

(45) **Date of Patent:** **** Oct. 12, 2021**

(54) **STAND FOR LIQUID CONTAINERS**

(71) Applicants: **Sam C. Sabounjian**, Irvine, CA (US);
Azad Sabounjian, Irvine, CA (US)

(72) Inventors: **Sam C. Sabounjian**, Irvine, CA (US);
Azad Sabounjian, Irvine, CA (US)

(**) Term: **15 Years**

(21) Appl. No.: **29/699,649**

(22) Filed: **Jul. 26, 2019**

(51) **LOC (13) Cl.** **06-06**

(52) **U.S. Cl.**
USPC **D6/675**

(58) **Field of Classification Search**
USPC D6/641, 642, 672, 673, 675, 675.4, 682,
D6/702, 705, 512; D7/550.1, 552.2,
D7/553.2, 311, 600.1, 601, 602, 213
CPC .. A47F 5/00; A47F 5/0081; A47F 7/00; A47F
7/0071; A47B 23/00; A47J 31/44; A47J
31/441; A47J 47/00; A47J 47/20
See application file for complete search history.

(56) **References Cited**

U.S. PATENT DOCUMENTS

- D221,072 S * 7/1971 Arenhold D6/349
- D274,729 S * 7/1984 Hovey D14/451
- D293,493 S * 12/1987 Garr D6/406.6
- D303,190 S * 9/1989 Suttles D6/699.5
- D386,921 S * 12/1997 Wikman D6/512
- D478,632 S * 8/2003 Chen D14/252
- D539,569 S * 4/2007 Lewis D6/406.6

- D589,721 S * 4/2009 Chang D6/655.21
- D651,651 S * 1/2012 Beukema D19/75
- D678,887 S * 3/2013 Stravitz D14/451
- D694,557 S * 12/2013 Rodgers D6/675
- D864,211 S * 10/2019 Tuang D14/451
- D880,203 S * 4/2020 Fentress D6/675
- D895,631 S * 9/2020 Kanter D14/451

* cited by examiner

Primary Examiner — Kelley A Donnelly

(74) *Attorney, Agent, or Firm* — Stetina Brunda Garred & Brucker

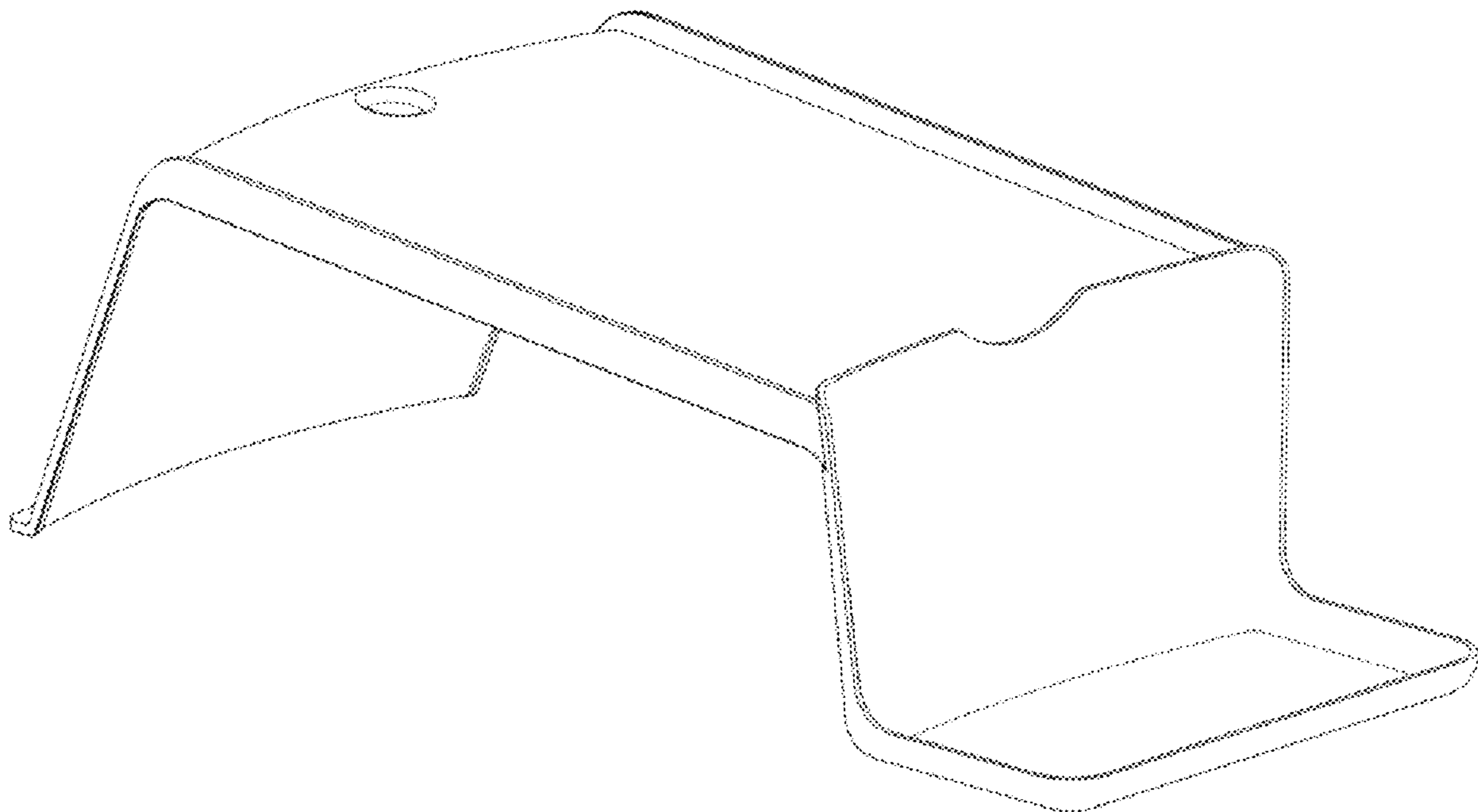
(57) **CLAIM**

The ornamental design for a stand for liquid containers, as shown and described.

DESCRIPTION

FIG. 1 is a perspective view of a stand for liquid containers; FIG. 2 is a front view of the stand for liquid containers of FIG. 1; FIG. 3 is a back view of the stand for liquid containers of FIG. 1; FIG. 4 is a left side view of the stand for liquid containers of FIG. 1; FIG. 5 is a right side view of the stand for liquid containers of FIG. 1; FIG. 6 is a top view of the stand for liquid containers of FIG. 1; and, FIG. 7 is a bottom view of the stand for liquid containers of FIG. 1. The broken lines in FIG. 7 depict environmental subject matter only and form no part of the claimed design.

1 Claim, 5 Drawing Sheets



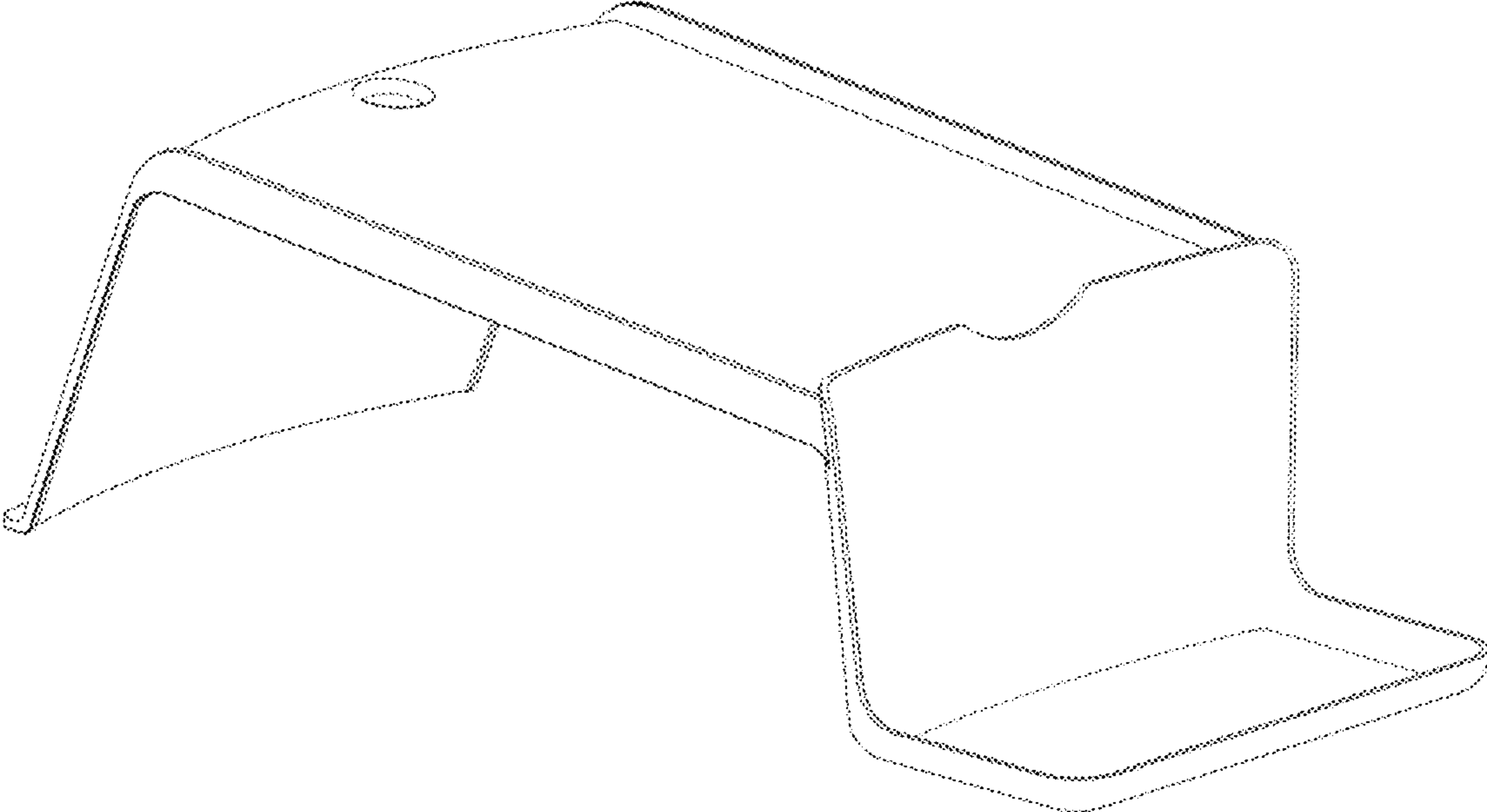


FIGURE 1

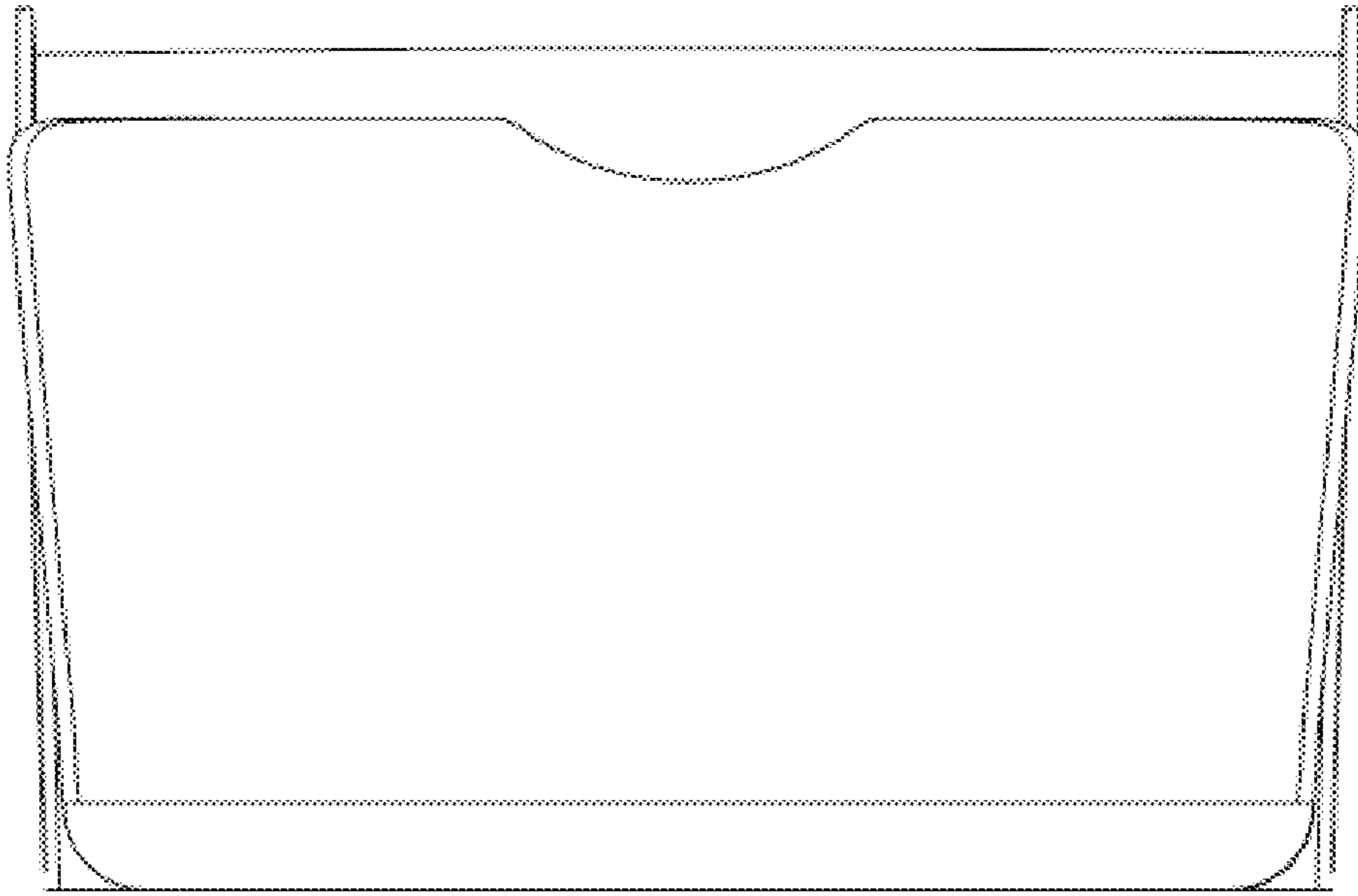


FIGURE 2

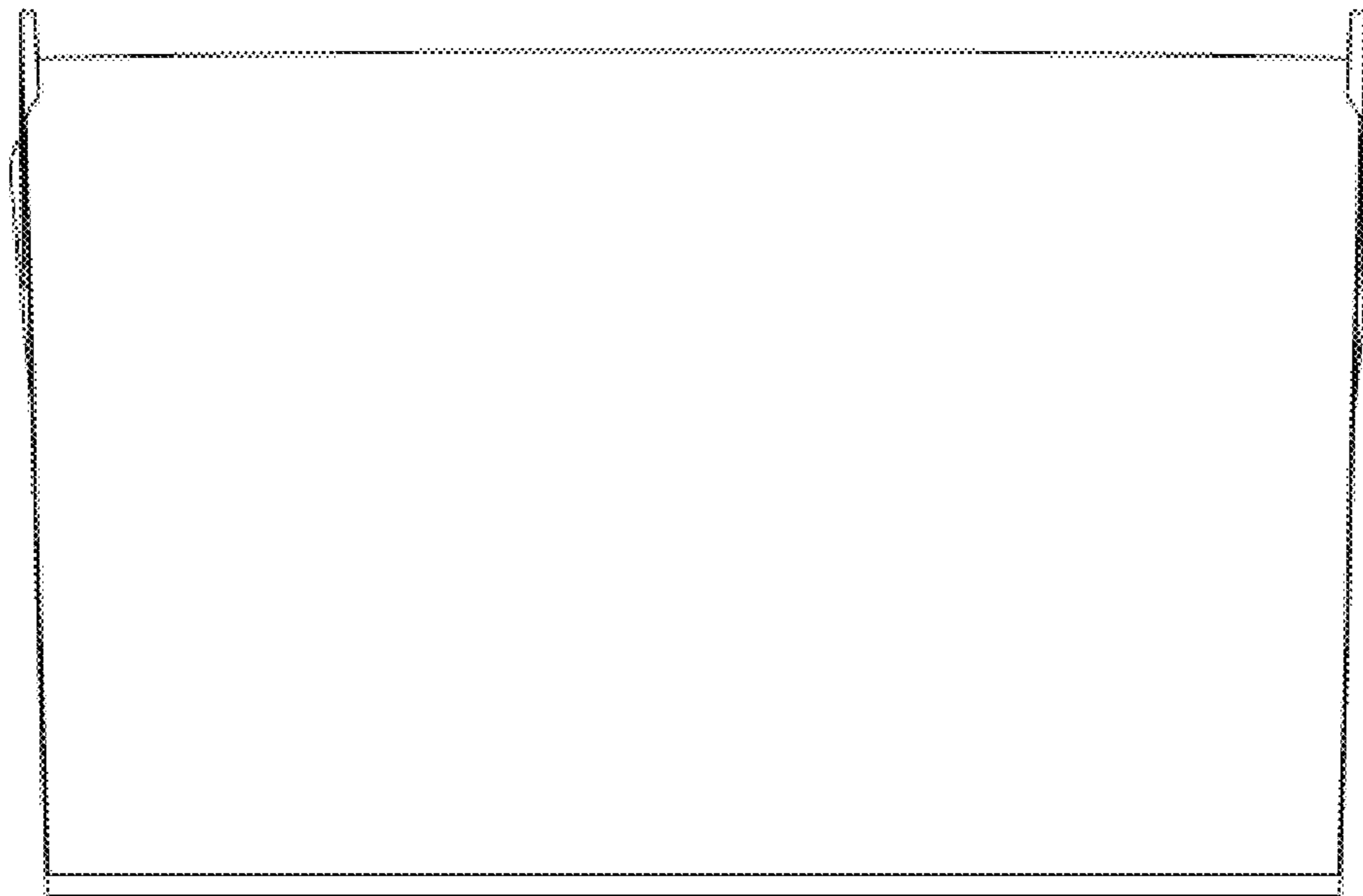


FIGURE 3

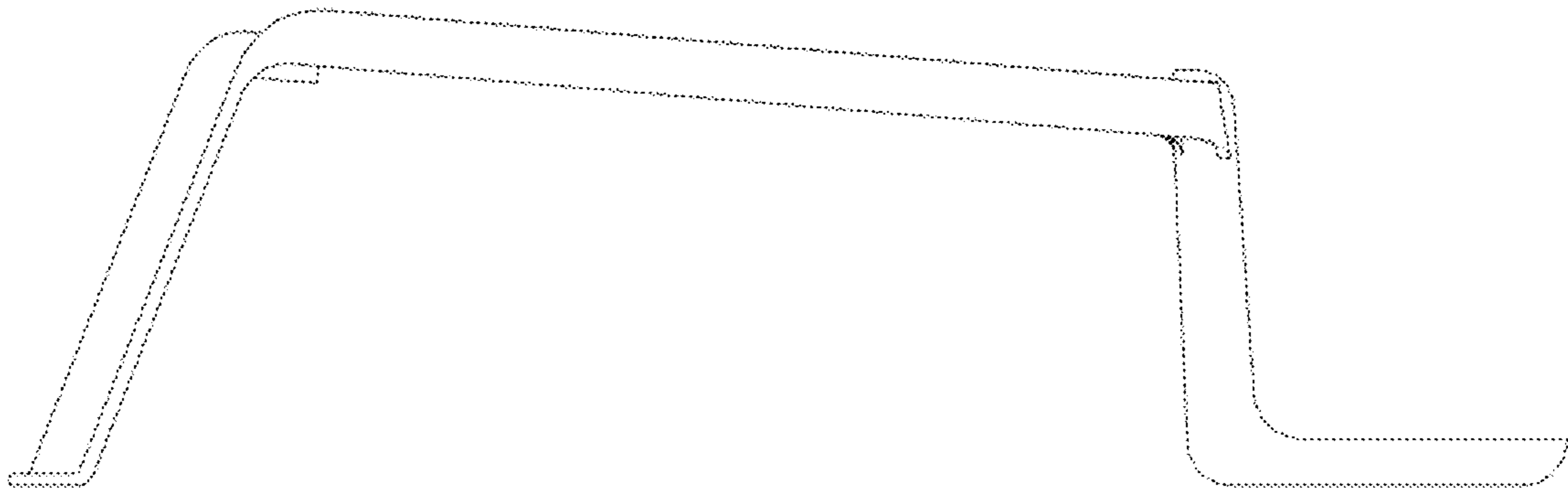


FIGURE 4

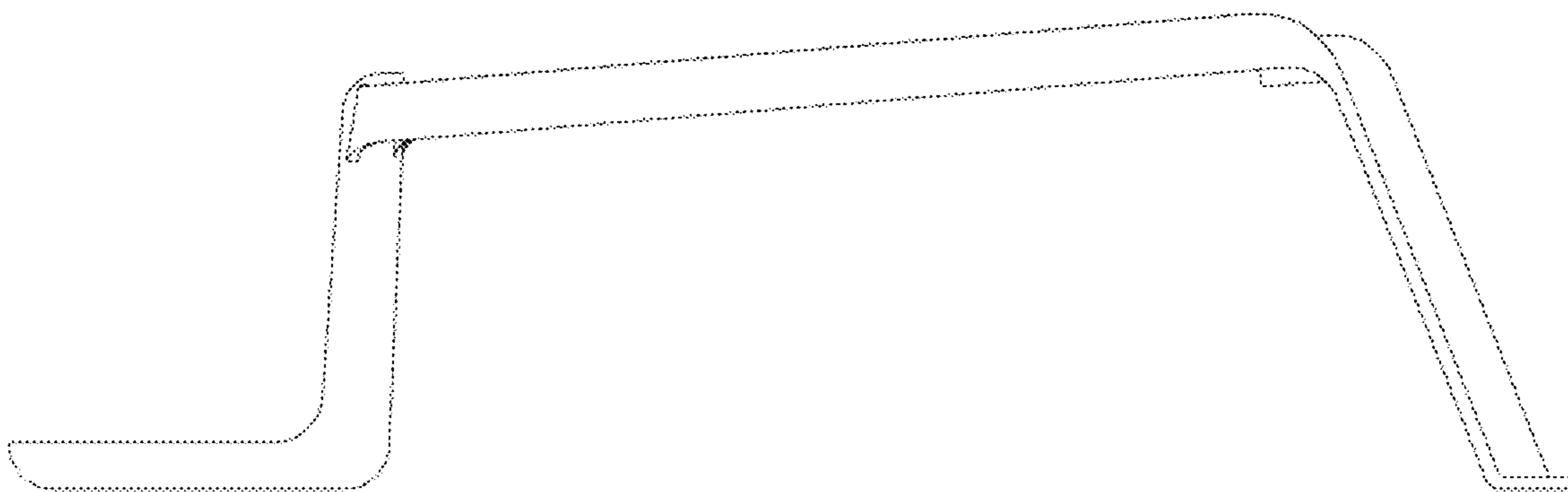


FIGURE 5

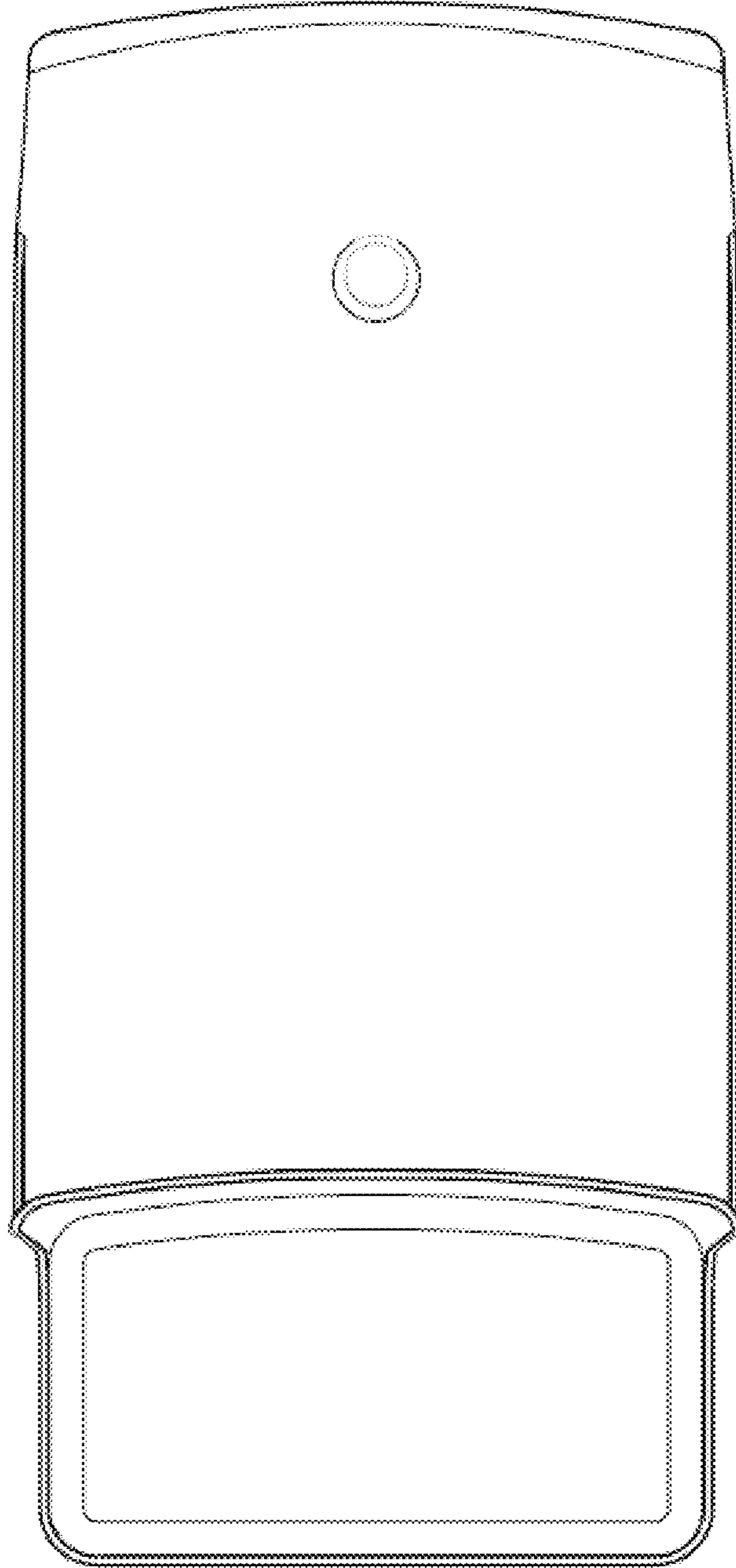


FIGURE 6

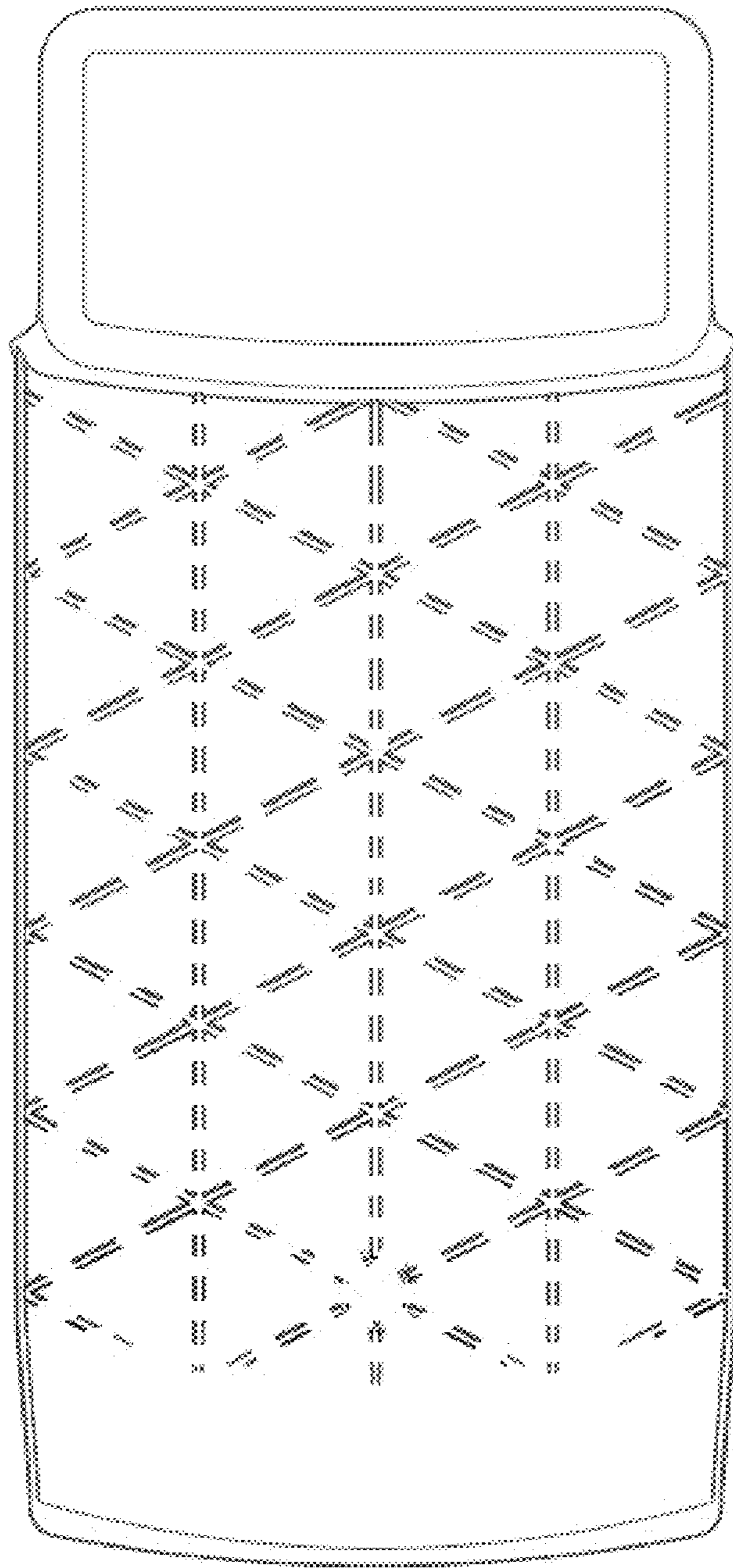


FIGURE 7