



US00D932811S

(12) **United States Design Patent** (10) **Patent No.:** **US D932,811 S**
Li (45) **Date of Patent:** **** Oct. 12, 2021**

(54) **DESK**
(71) Applicant: **Homy Casa Limited**, Hong Kong (HK)
(72) Inventor: **YueHai Li**, Guangzhou (CN)
(73) Assignee: **HOMY CASA LIMITED**, Hong Kong (HK)
(**) Term: **15 Years**
(21) Appl. No.: **29/701,104**
(22) Filed: **Aug. 8, 2019**
(51) **LOC (13) Cl.** **06-03**
(52) **U.S. Cl.**
USPC **D6/644**; D6/641; D6/656.13
(58) **Field of Classification Search**
USPC D6/641, 642, 644, 647, 656, 656.1, D6/656.12, 656.13-656.19, 685, 686, 691, D6/691.1-691.9
CPC A47B 7/00; A47B 13/00; A47B 13/02; A47B 13/04; A47B 13/06; A47B 13/08; A47B 13/10; A47B 13/12; A47B 17/00; A47B 17/003; A47B 17/006; A47B 17/33; A47B 17/06; A47B 21/00; A47B 21/0314; A47B 2021/0307; A47B 2021/0321; A47B 2021/0335; A47B 2021/0364; A47B 2200/0001; A47B 2200/0002; A47B 2200/0003; A47B 2200/0004; A47B 2200/0011; A47B 2200/002

See application file for complete search history.

(56) **References Cited**
U.S. PATENT DOCUMENTS
2,926,794 A * 3/1960 Karoff A47B 13/16 108/99
D265,364 S * 7/1982 Walker D6/556
D572,046 S * 7/2008 Hunziker A47B 13/16 D6/691.1
D797,479 S * 9/2017 Manea D6/691
D839,645 S * 2/2019 Itou D6/692
D851,971 S * 6/2019 Axelsson D6/692.4
D876,864 S * 3/2020 He D6/692.4
2018/0085912 A1 * 3/2018 Cindric E04G 1/30

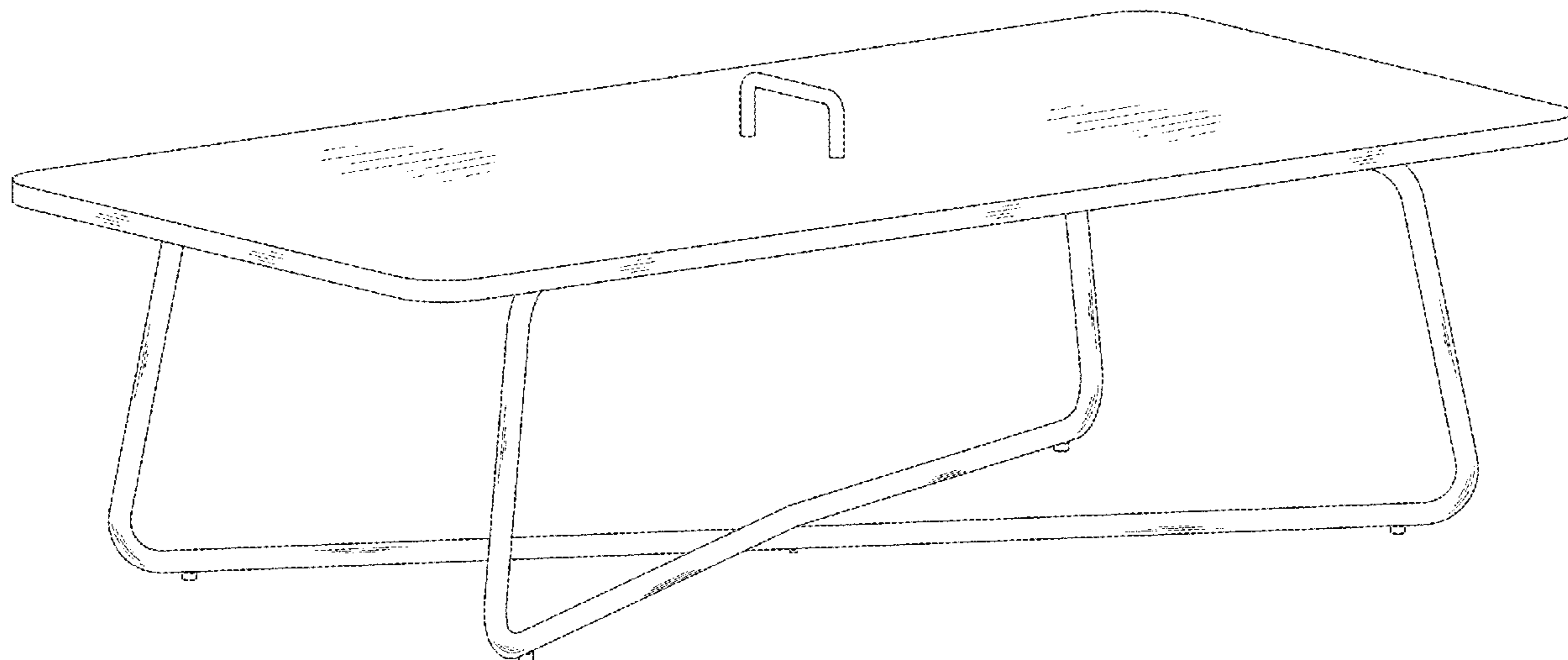
* cited by examiner

Primary Examiner — Mary Ann Calabrese
(74) *Attorney, Agent, or Firm* — Hauptman Ham, LLP

(57) **CLAIM**
The ornamental design for a desk, as shown.

DESCRIPTION
FIG. 1 is a front view of a desk showing my new design.
FIG. 2 is a back view of the desk of FIG. 1.
FIG. 3 is a left side view of the desk of FIG. 1.
FIG. 4 is a right side view of the desk of FIG. 1.
FIG. 5 is a top view of the desk of FIG. 1.
FIG. 6 is a bottom view of the desk of FIG. 1; and,
FIG. 7 is a perspective view of the desk of FIG. 1.

1 Claim, 7 Drawing Sheets



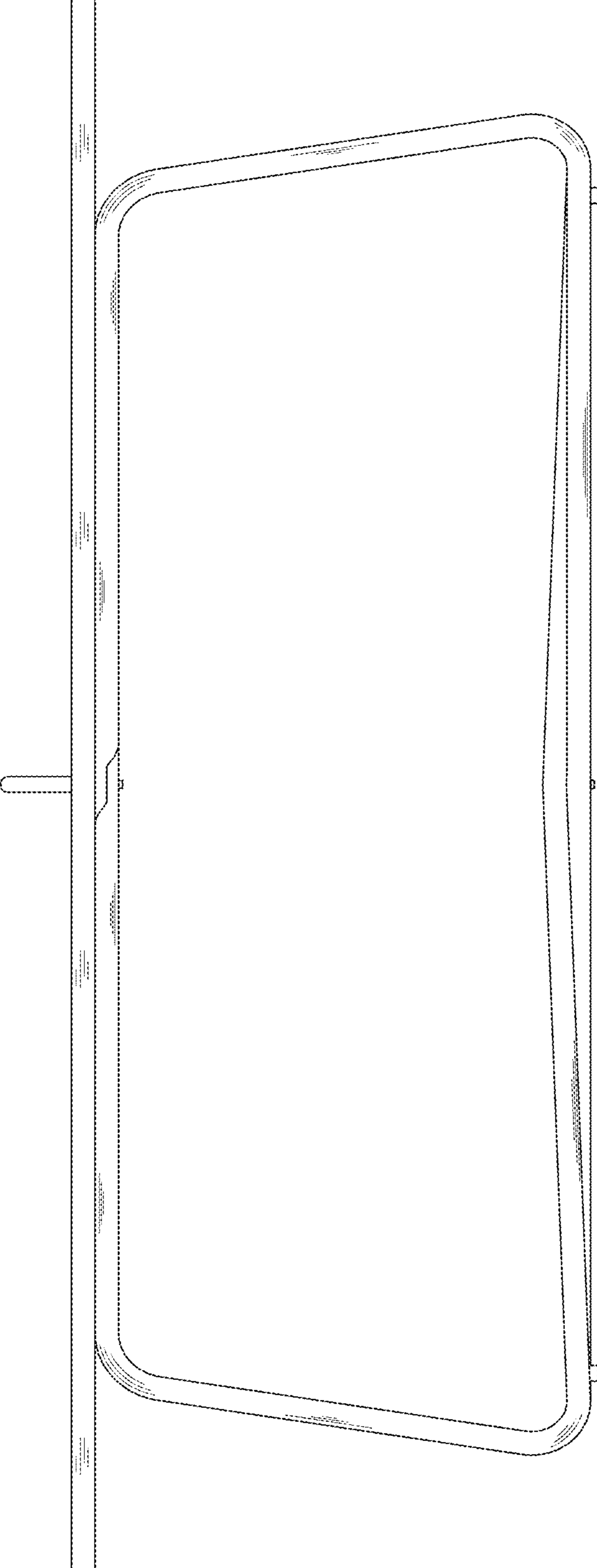


FIG. 1

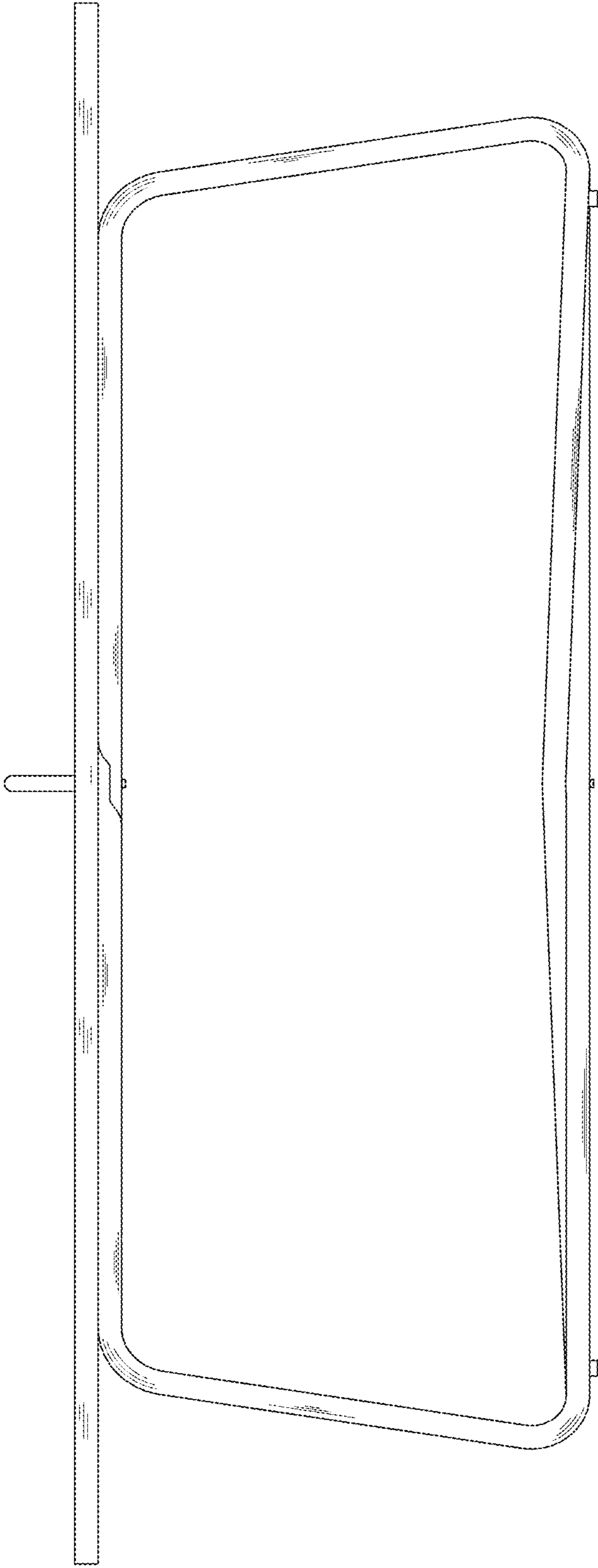


FIG. 2

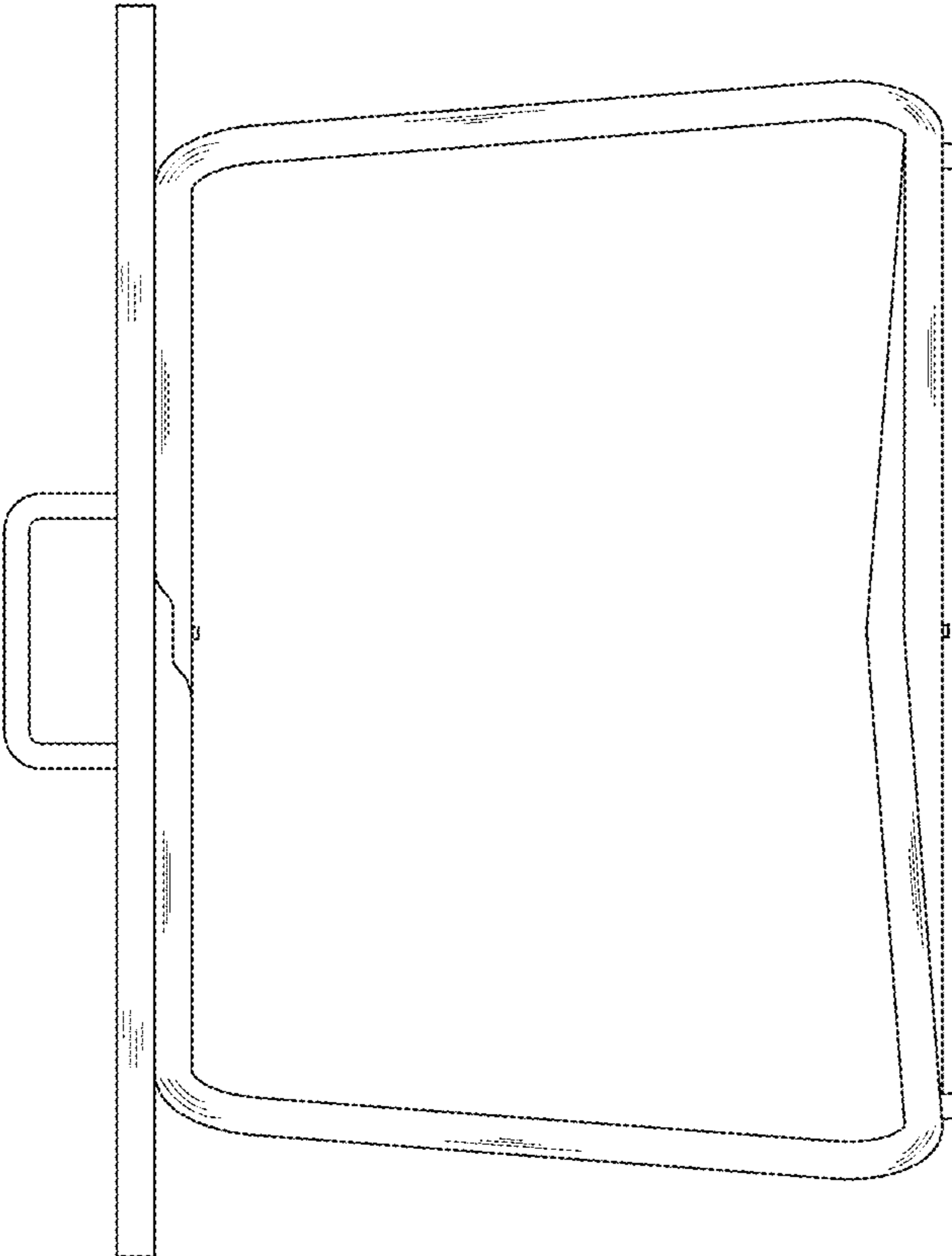


FIG. 3

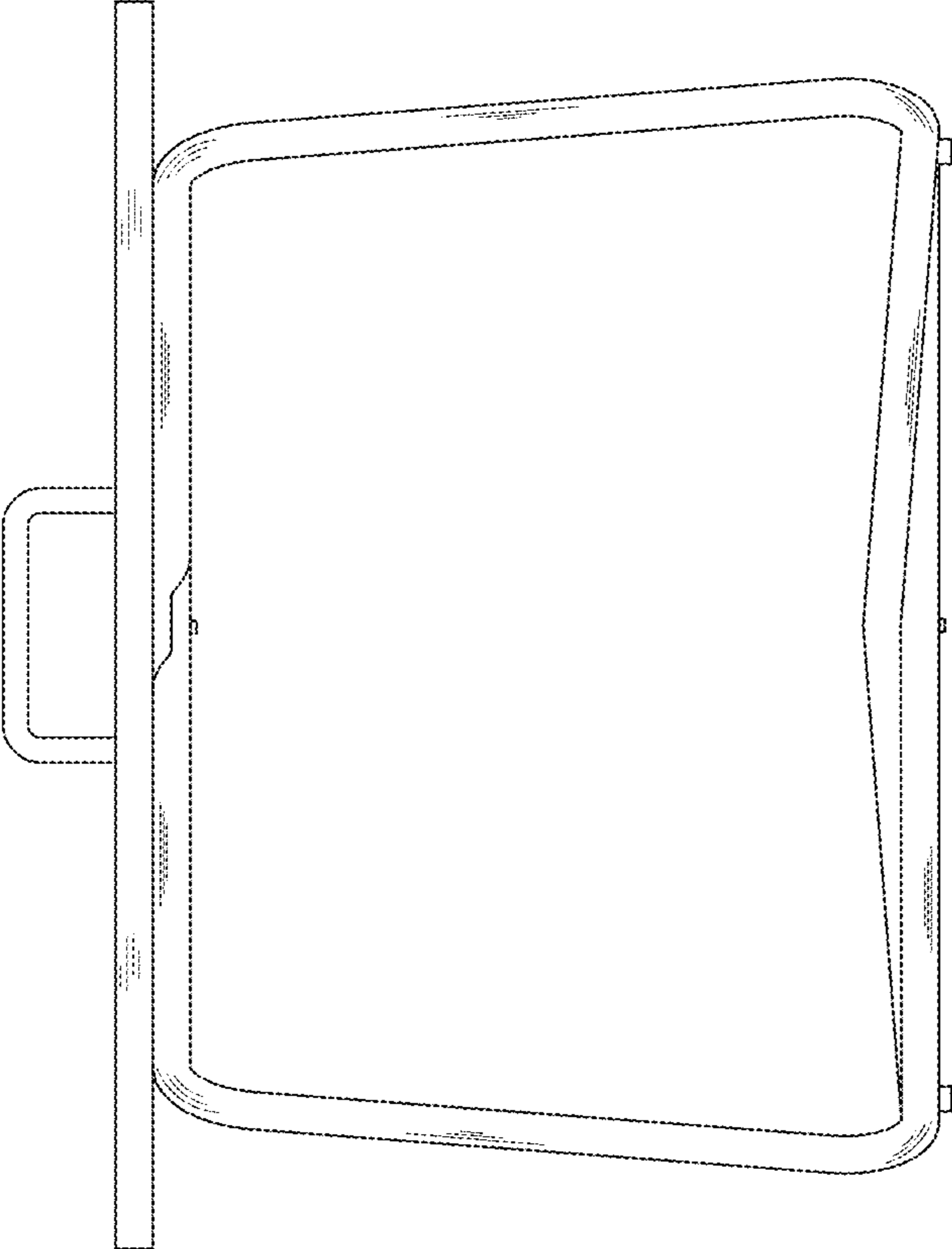


FIG. 4

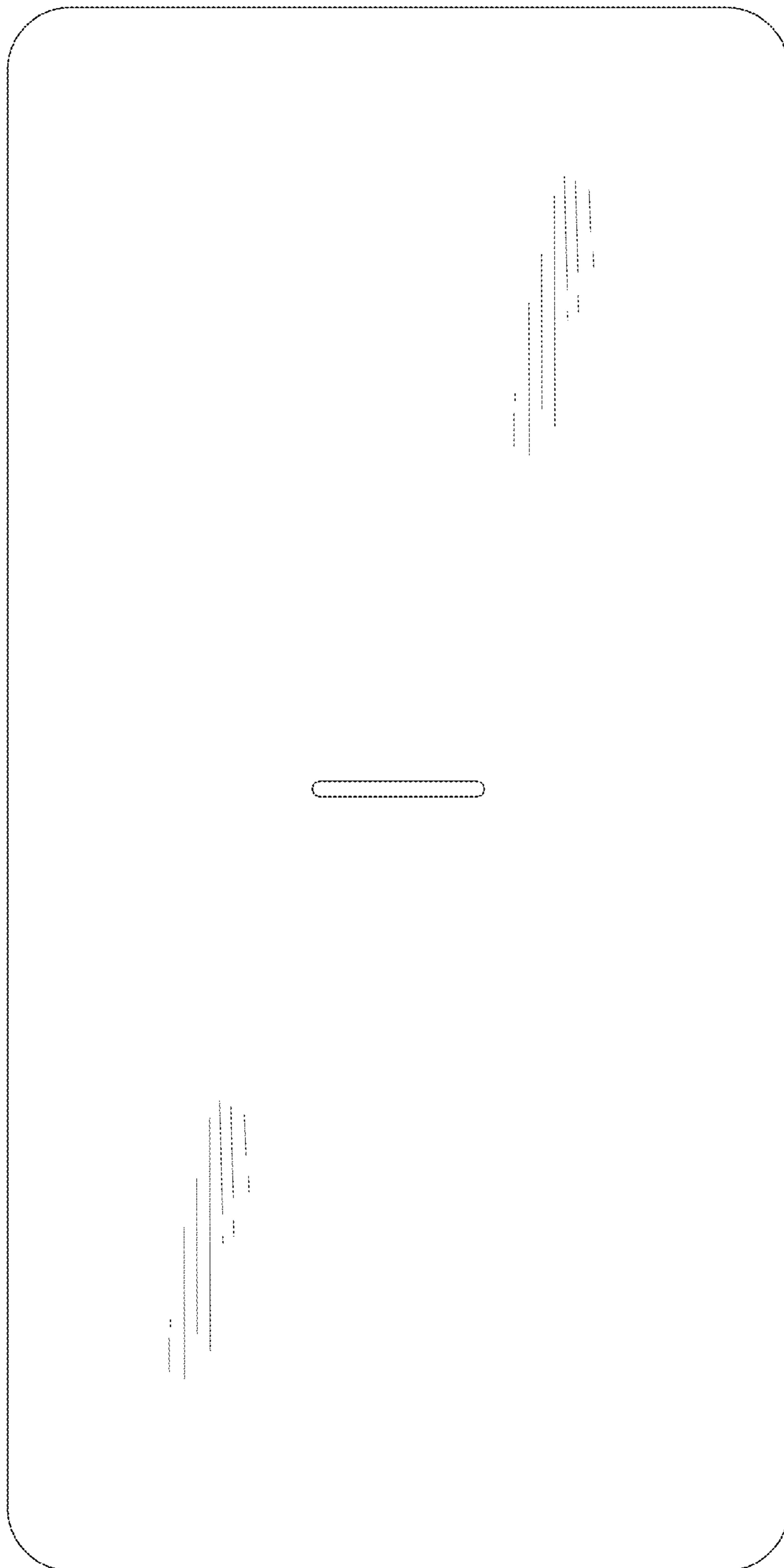


FIG. 5

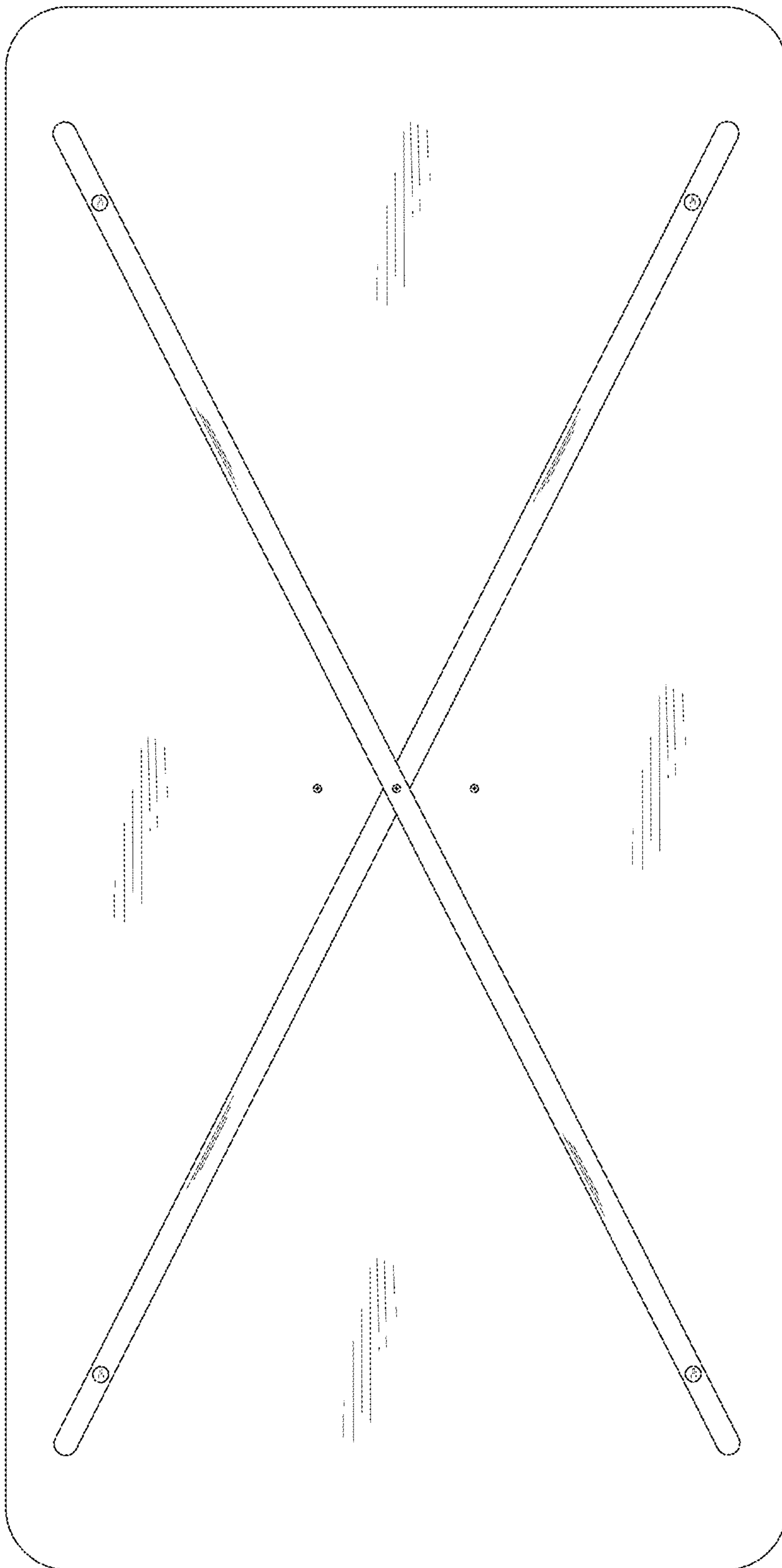


FIG. 6

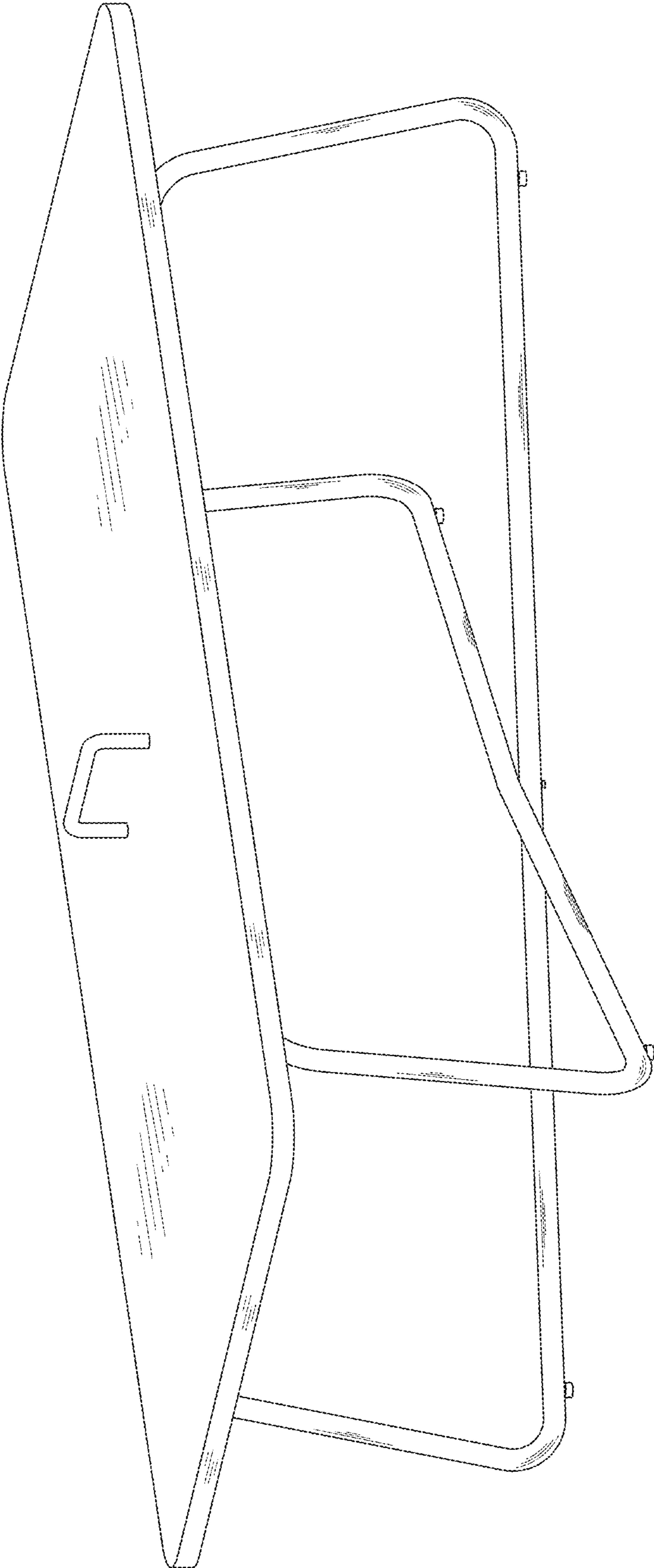


FIG. 7