



US00D932810S

(12) **United States Design Patent** (10) **Patent No.:** **US D932,810 S**
Hill et al. (45) **Date of Patent:** **** Oct. 12, 2021**

- (54) **OFFICE FURNITURE ASSEMBLY**
- (71) Applicant: **HERMAN MILLER, INC.**, Zeeland, MI (US)
- (72) Inventors: **Jesse Hill**, Grand Rapids, MI (US);
Paul Gartland, Holland, MI (US)
- (73) Assignee: **HERMAN MILLER, INC.**, Zeeland, MI (US)
- (**) Term: **15 Years**
- (21) Appl. No.: **29/687,991**
- (22) Filed: **Apr. 17, 2019**
- (51) **LOC (13) Cl.** **06-03**
- (52) **U.S. Cl.**
USPC **D6/644; D6/642**
- (58) **Field of Classification Search**
USPC D6/641, 642, 644, 647, 650, 650.1
CPC A47B 7/00; A47B 13/00; A47B 13/02;
A47B 13/04; A47B 13/06; A47B 13/08;
A47B 13/10; A47B 13/12; A47B 17/00;
A47B 17/003; A47B 17/006; A47B
17/033; A47B 17/06; A47B 2021/0307;
A47B 2021/0321; A47B 2021/0335;
A47B 2021/0364; A47B 2200/0001;
A47B 2200/0002; A47B 2200/0003;
A47B 2200/0004; A47B 2200/0011;
A47B 2200/0066; A47B 2200/002
- See application file for complete search history.

- (56) **References Cited**
- U.S. PATENT DOCUMENTS
- | | | | |
|--------------|---------|-------------------|--------|
| D99,565 S | 5/1936 | Talbert | |
| D247,080 S | 1/1978 | Robinson | |
| 5,259,326 A | 11/1993 | Borgman et al. | |
| D427,452 S * | 7/2000 | Levi | D6/644 |
| 6,349,907 B1 | 2/2002 | Hollington et al. | |
| D501,741 S * | 2/2005 | Risdall | D6/644 |

- | | | | |
|--------------|---------|---------------|-----------|
| D587,498 S * | 3/2009 | Iwamuro | D6/644 |
| D619,389 S * | 7/2010 | Mead | D6/641 |
| D627,178 S | 11/2010 | Adams et al. | |
| D631,675 S * | 2/2011 | Russler | D6/642 |
| D649,811 S | 12/2011 | Martin et al. | |
| D687,657 S * | 8/2013 | Ruiter | D6/656.15 |
| D717,572 S | 11/2014 | Morrison | |
- (Continued)

OTHER PUBLICATIONS

Office Action issued from the US Patent Office for related U.S. Appl. No. 29/685,292 dated Jul. 31, 2020 (6 Pages including 892 form).

Primary Examiner — Mary Ann Calabrese
(74) *Attorney, Agent, or Firm* — Michael Best & Friedrich LLP

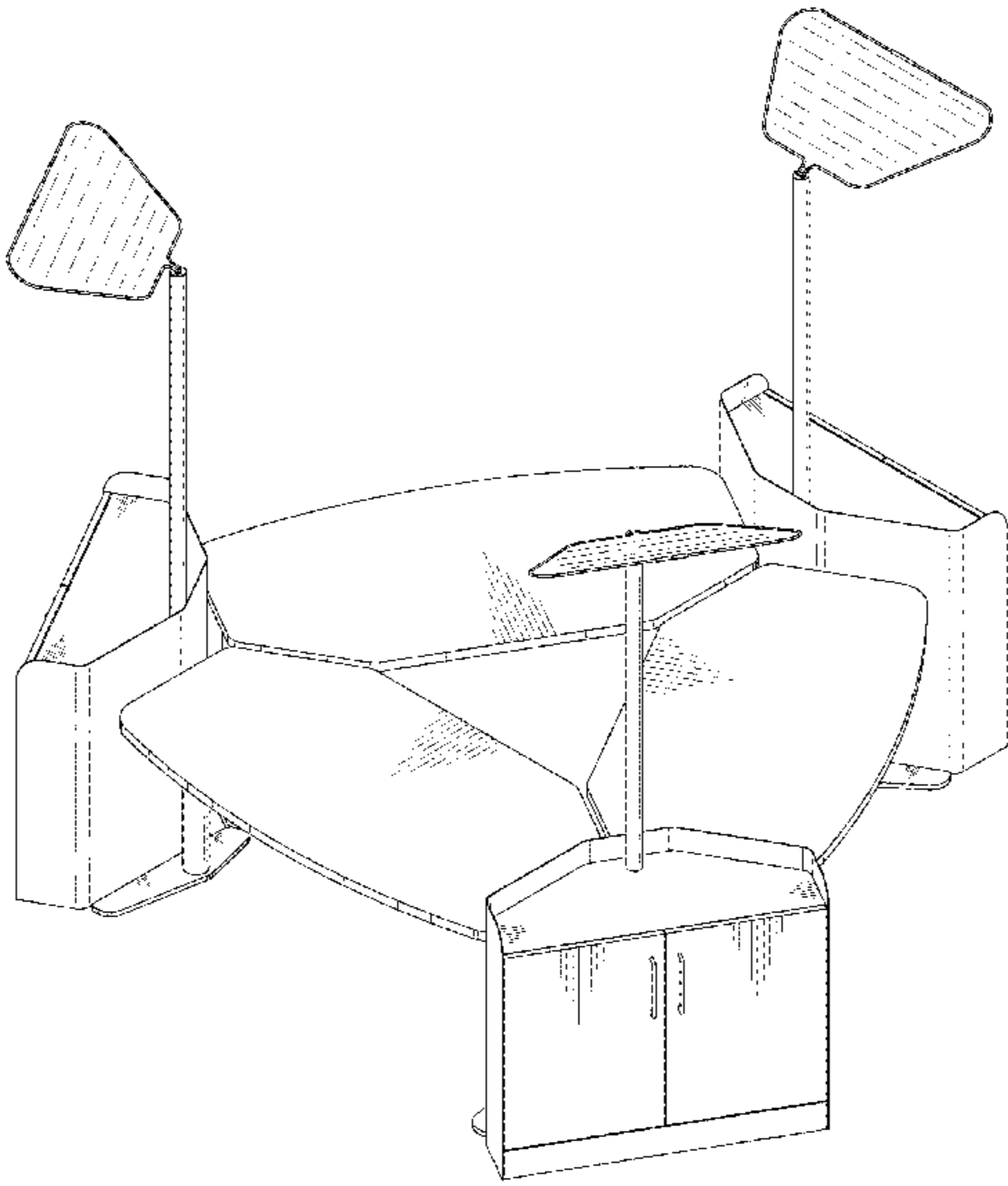
(57) **CLAIM**

We claim the ornamental design for an office furniture assembly, as shown and described.

DESCRIPTION

FIG. 1 is a perspective view of an office furniture assembly according to the present invention in a first configuration. FIG. 2 is a front view of the office furniture assembly of FIG. 1. FIG. 3 is a rear view of the office furniture assembly shown in FIG. 1. FIG. 4 is a left side view of the office furniture assembly shown in FIG. 1. FIG. 5 is a right side view of the office furniture assembly shown in FIG. 1. FIG. 6 is a top view of the office furniture assembly shown in FIG. 1; and, FIG. 7 is a bottom view of the office furniture assembly shown in FIG. 1. The broken lines in the drawings show portions of the office furniture assembly that form no part of the claimed design.

1 Claim, 7 Drawing Sheets



(56)

References Cited

U.S. PATENT DOCUMENTS

D745,294 S *	12/2015	Murray	A47B 96/00
			D6/644
D779,238 S *	2/2017	Kamata	D6/649
D839,027 S	1/2019	Yamamoto	
D845,046 S	4/2019	Valez	
2014/0312754 A1 *	10/2014	Hecht	A47B 96/00
			312/309

* cited by examiner

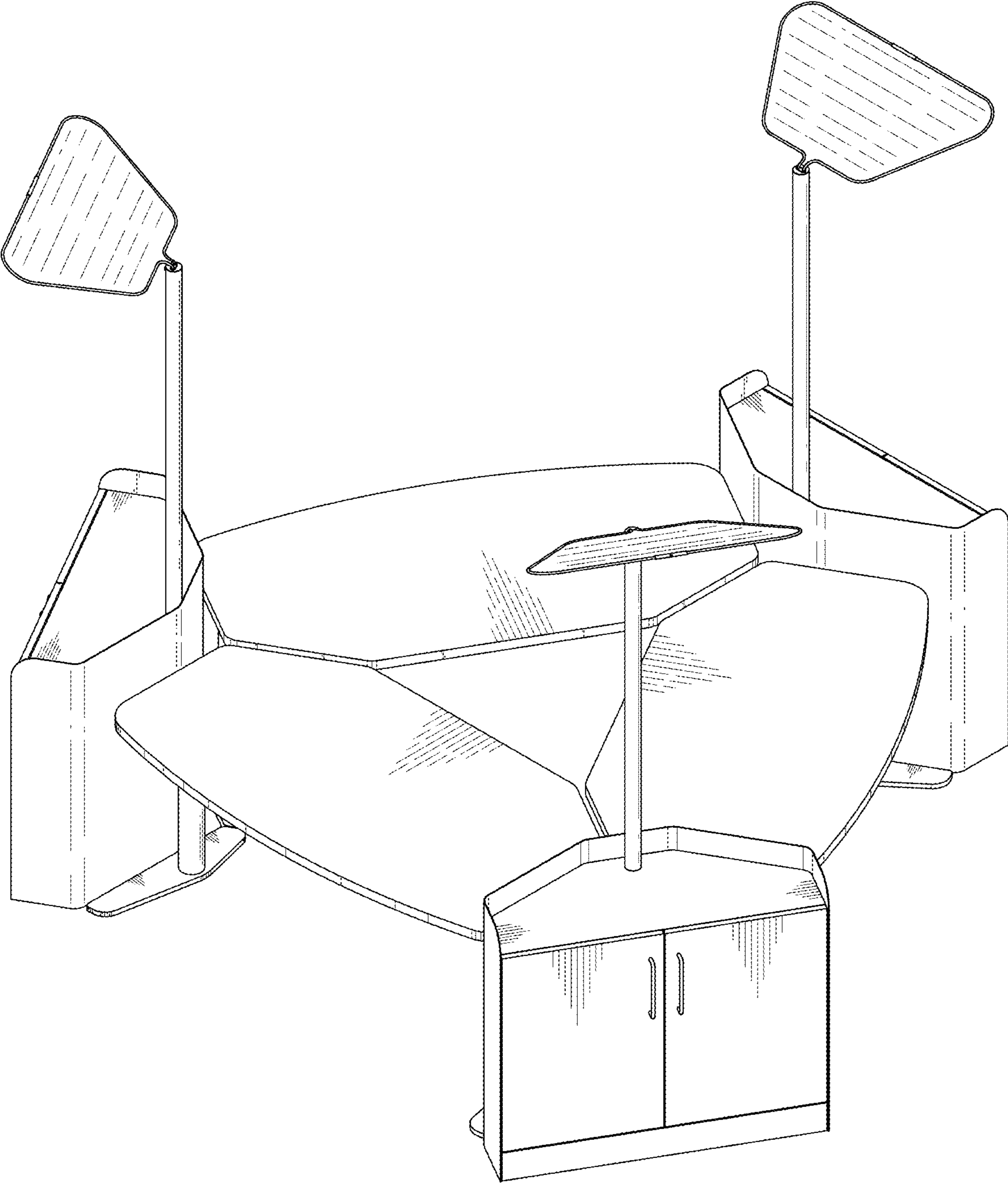


FIG. 1

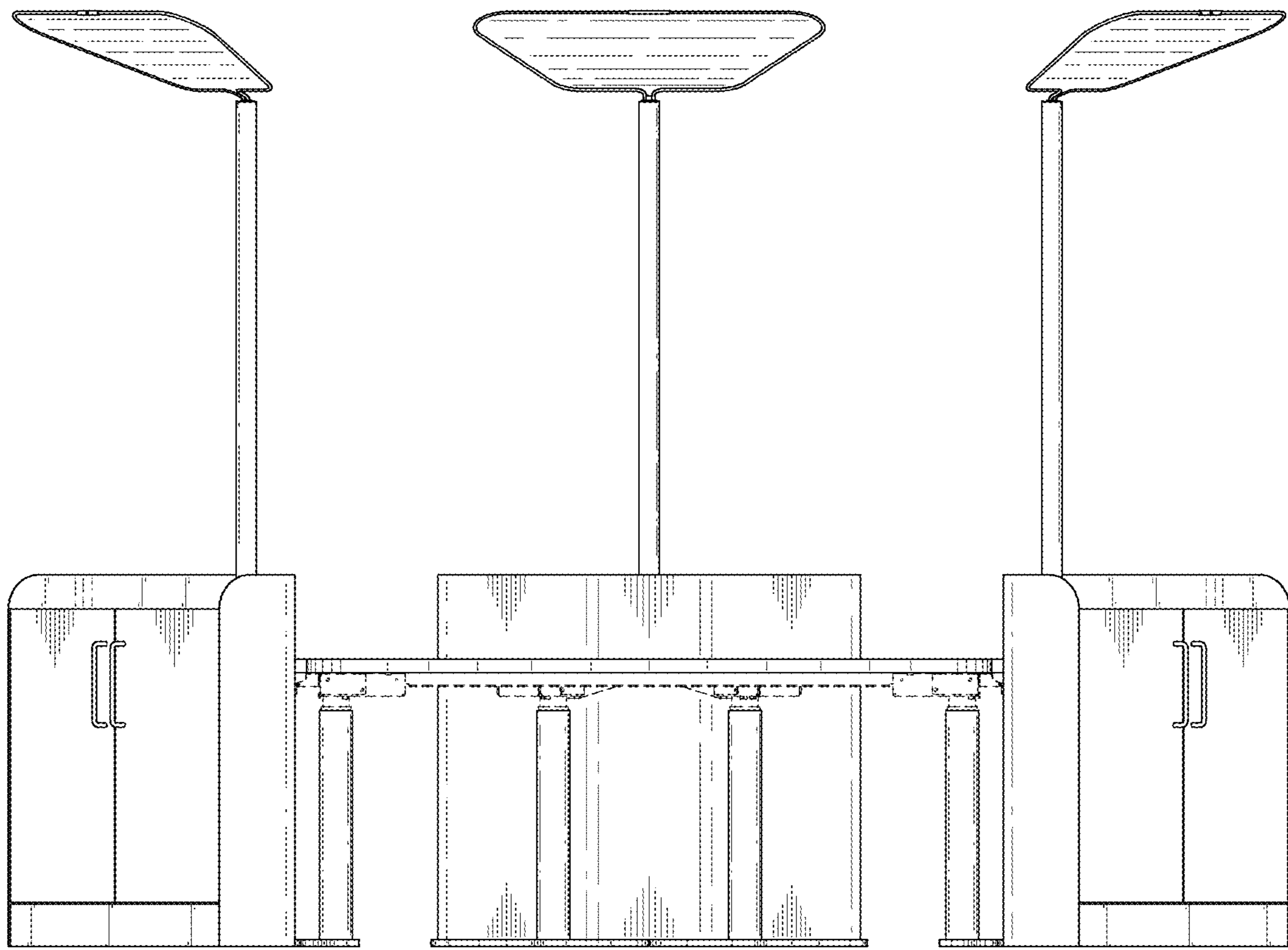


FIG. 2

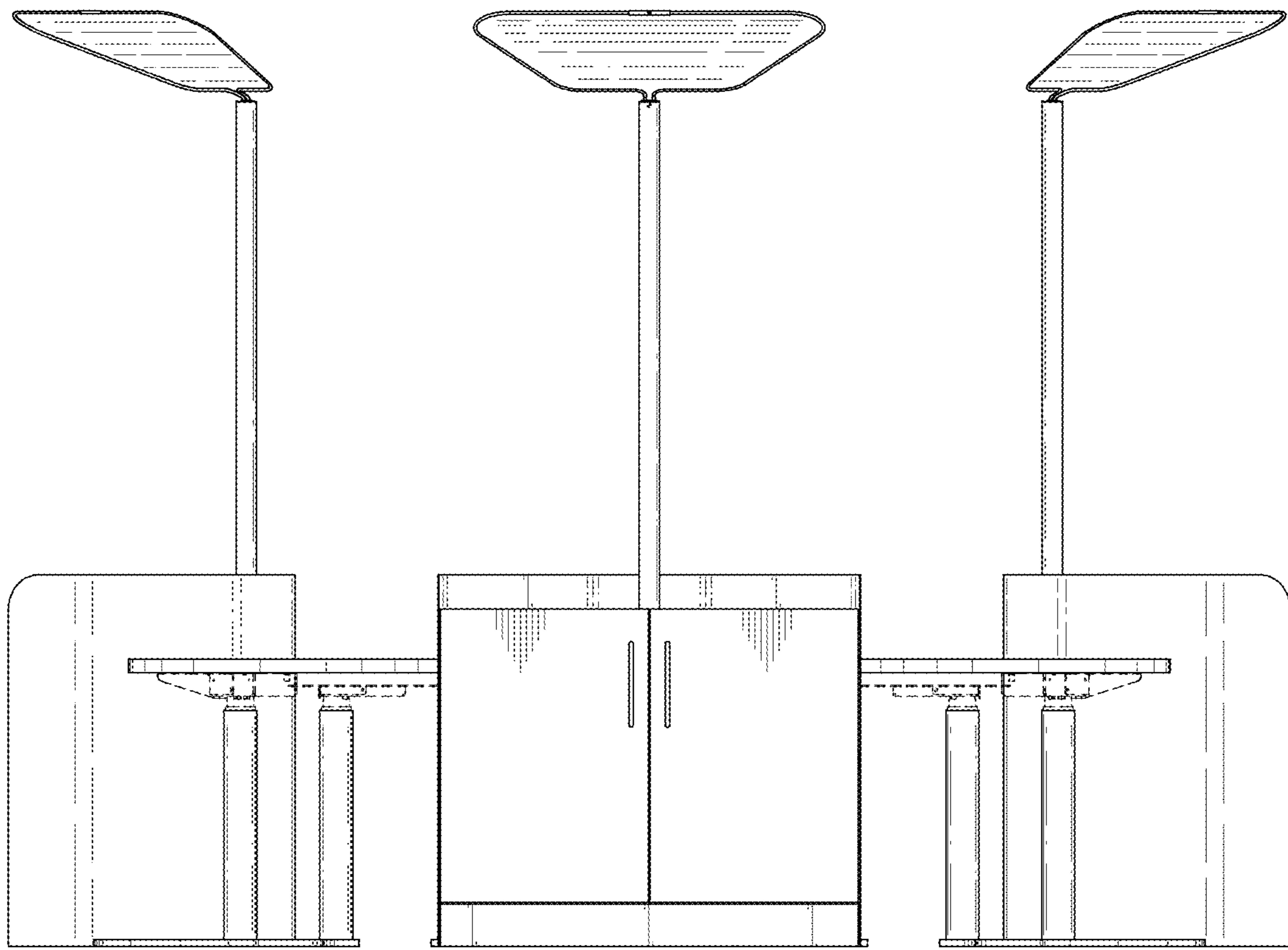


FIG. 3

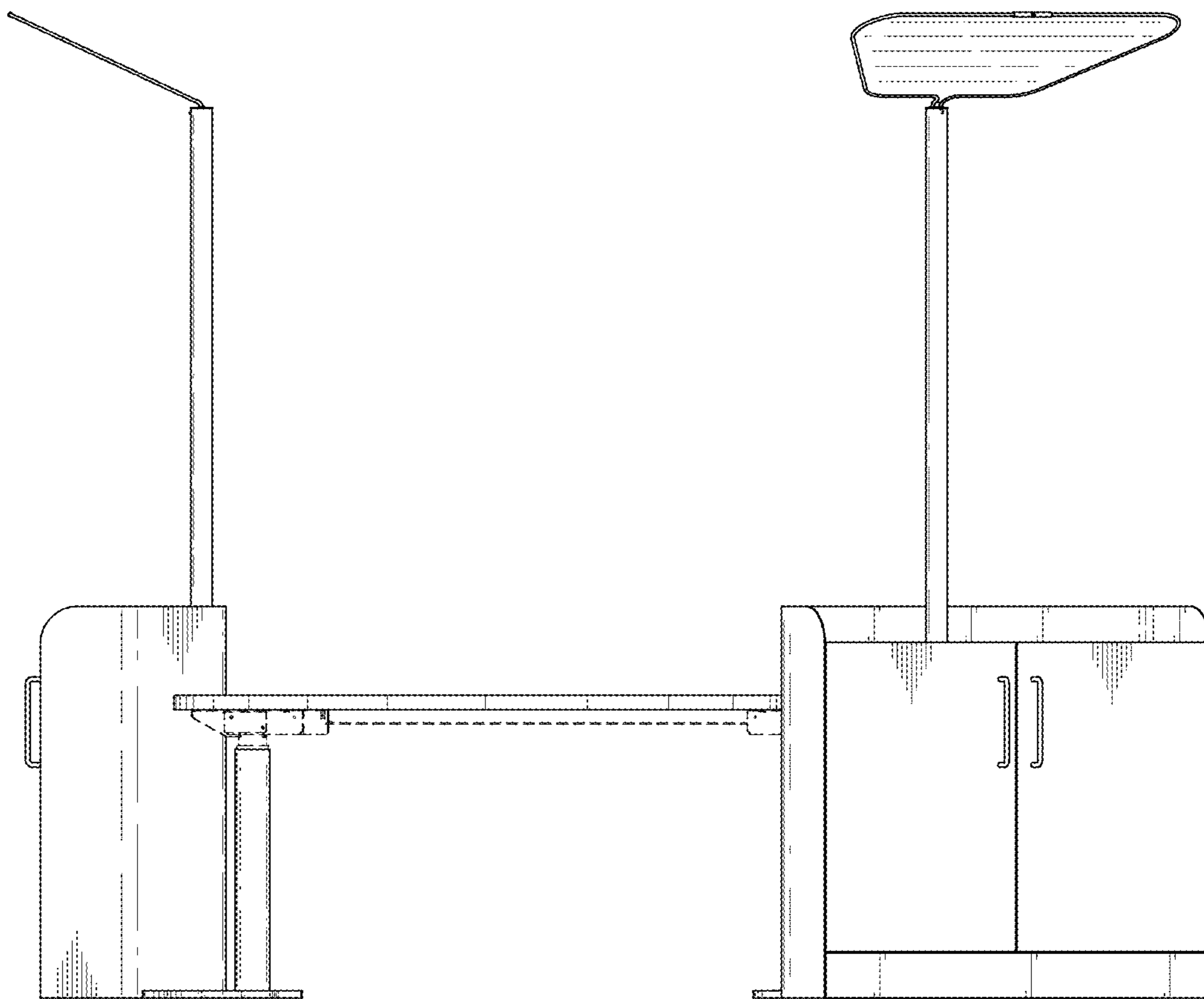


FIG. 4

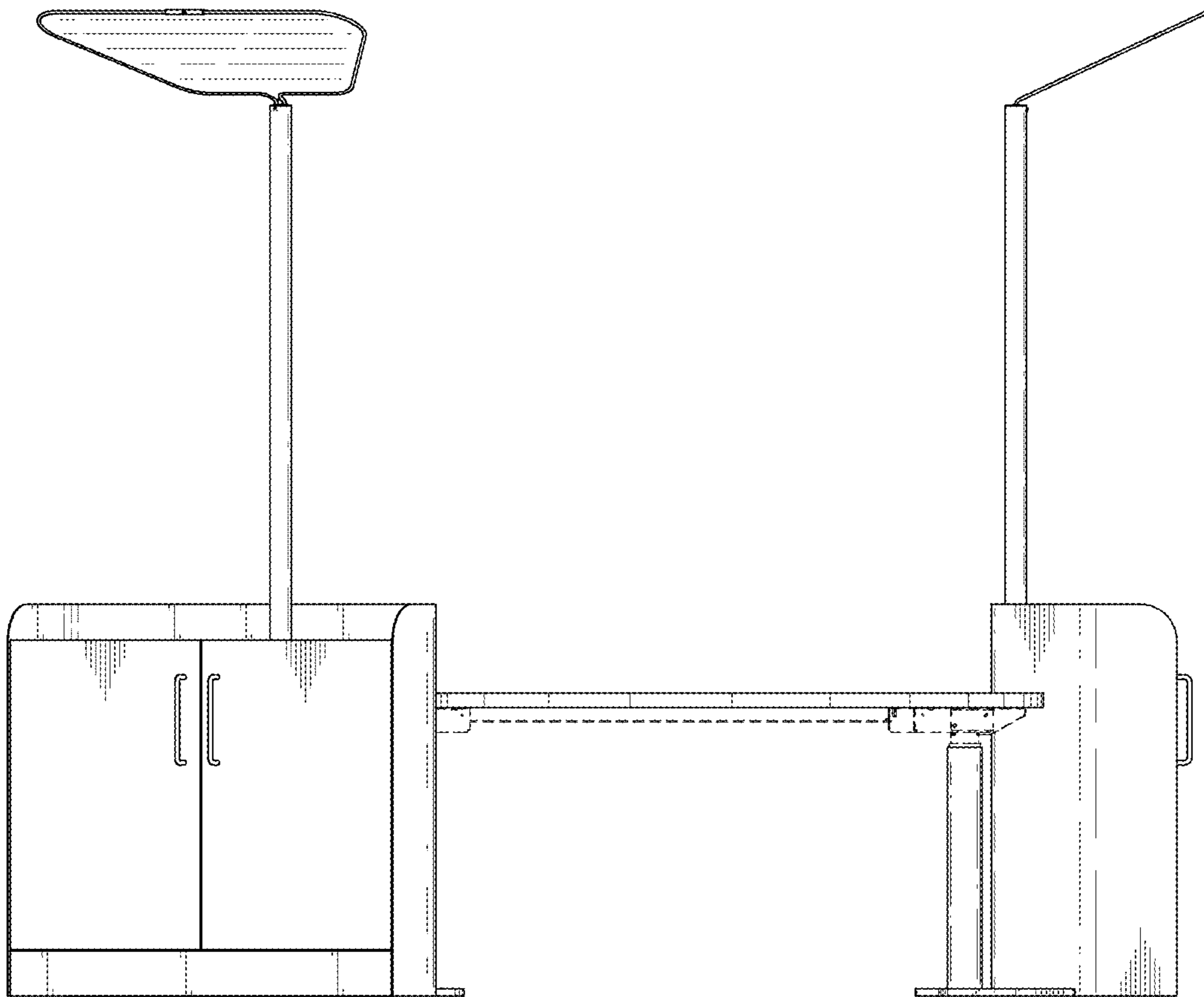


FIG. 5

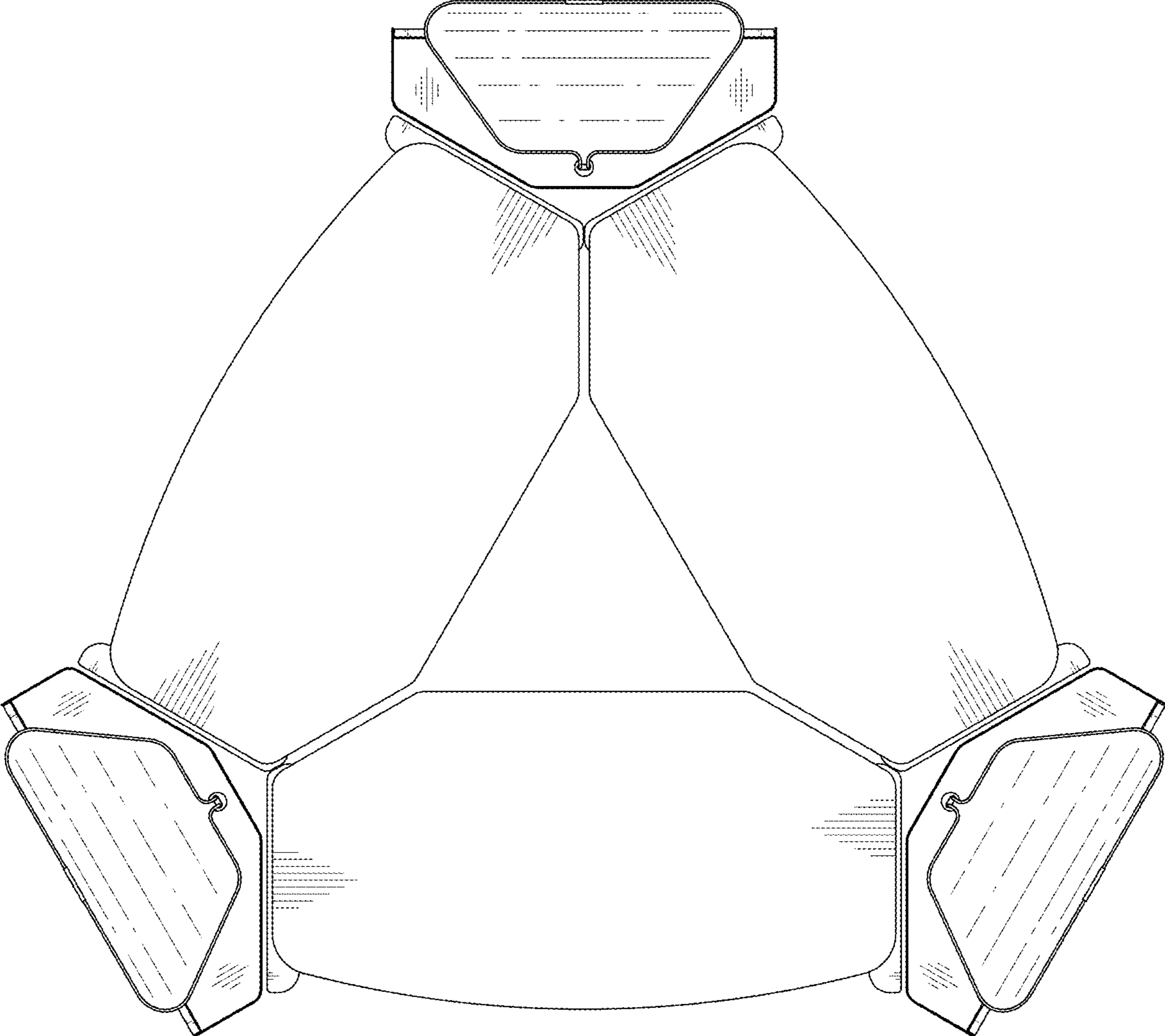


FIG. 6

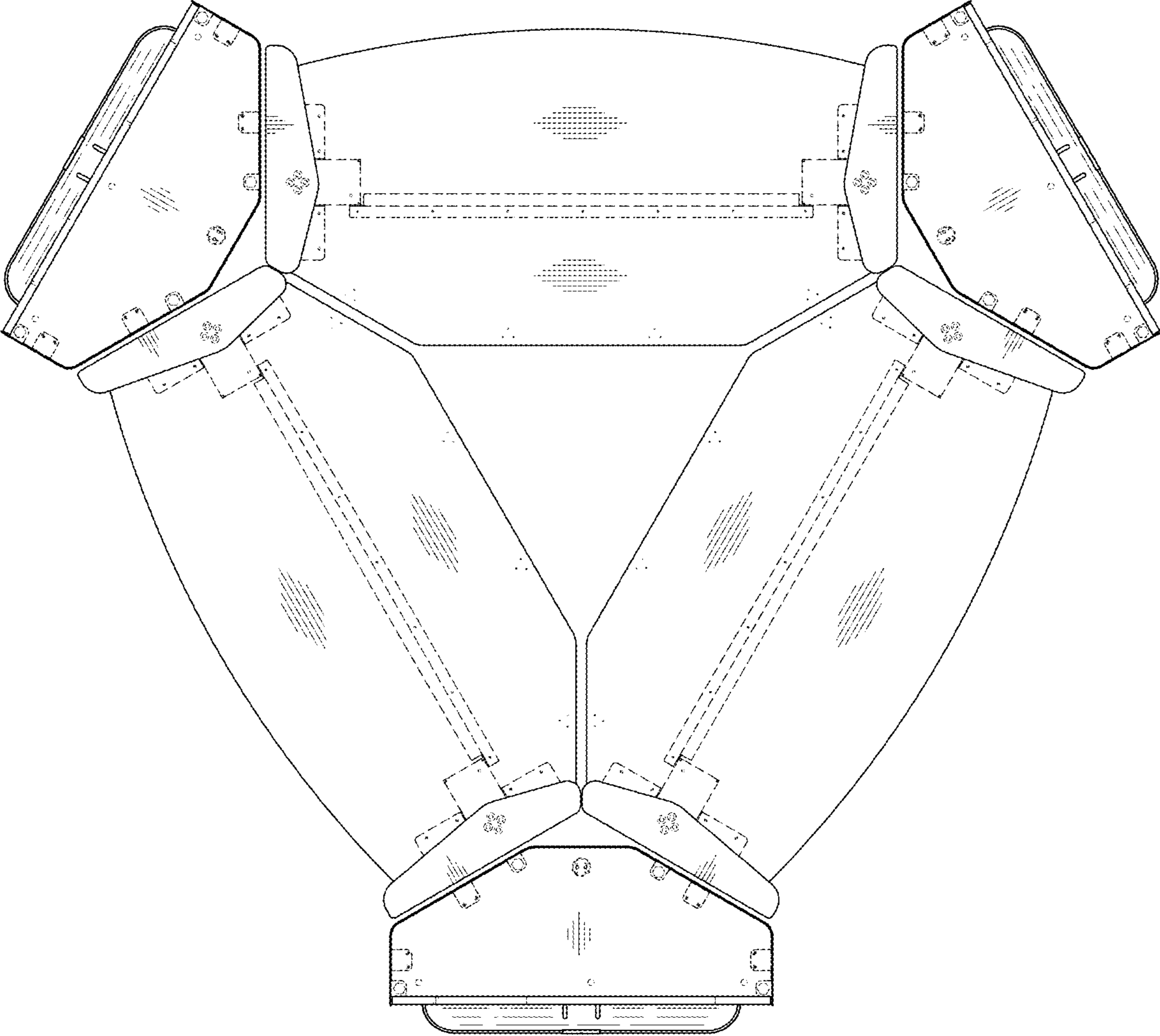


FIG. 7