



US00D932806S

(12) **United States Design Patent** (10) **Patent No.:** **US D932,806 S**
Chen (45) **Date of Patent:** **** Oct. 12, 2021**

(54) **BATH PILLOW**

(71) Applicant: **Shenzhen Meifen Technology Co., Ltd.**, Shenzhen (CN)

(72) Inventor: **Keshun Chen**, Anhui Province (CN)

(**) Term: **15 Years**

(21) Appl. No.: **29/768,155**

(22) Filed: **Jan. 27, 2021**

(51) **LOC (13) Cl.** **06-09**

(52) **U.S. Cl.**
USPC **D6/601**

(58) **Field of Classification Search**
USPC D6/595, 596, 597, 600, 601, 603, 604, D6/605, 606, 608; D24/183, 185, 234; D21/803, 804, 805, 809
CPC A47G 2009/1018; A47G 2009/003; A47G 9/0253; A47G 9/10; A47G 9/1027; A47G 9/1036; A47G 9/1054; A47G 9/1063; A47G 9/1072; A47G 9/1081; A47G 9/109; A45F 4/06; A47C 21/06; A47C 7/18; A47C 20/00; A47C 17/80; A47C 17/82; A47C 17/64; A47C 27/00; A47C 27/14; A47C 23/00

See application file for complete search history.

(56) **References Cited**

U.S. PATENT DOCUMENTS

1,953,798 A * 4/1934 De Grandcourt A47K 3/125 4/575.1
D192,421 S * 3/1962 Bostrom D6/356
D197,397 S * 1/1964 Emery D6/601
D204,444 S * 4/1966 Emery D6/604
D298,716 S * 11/1988 Kaplan D6/601
D354,876 S * 1/1995 Pace D6/596
D365,378 S * 12/1995 Wolfe D21/809
D484,560 S * 12/2003 Lin D21/809
D496,105 S * 9/2004 Walters D24/183

D507,446 S * 7/2005 Yeh D6/604
D529,324 S * 10/2006 Yates D6/601
D544,061 S * 6/2007 Kuchler D21/803
D552,244 S * 10/2007 Tinsley D24/183

(Continued)

FOREIGN PATENT DOCUMENTS

CN 304961070 * 12/2018
CN 306325988 * 2/2021

OTHER PUBLICATIONS

Docilaso Bath Pillow, earliest pictured review Jan. 31, 2021 [online], [site visited May 7, 2021]. Available from Internet, <URL: https://www.amazon.com/Docilaso-Pillow-Bathtub-Technology-Women/dp/B088K453J8/ref=sr_1_2?dchild=1&keywords=Docilaso+Bath+Pillow&qid=1620151096&sr=8-2> (Year: 2021).*

(Continued)

Primary Examiner — Sanjeev Paul

(57) **CLAIM**

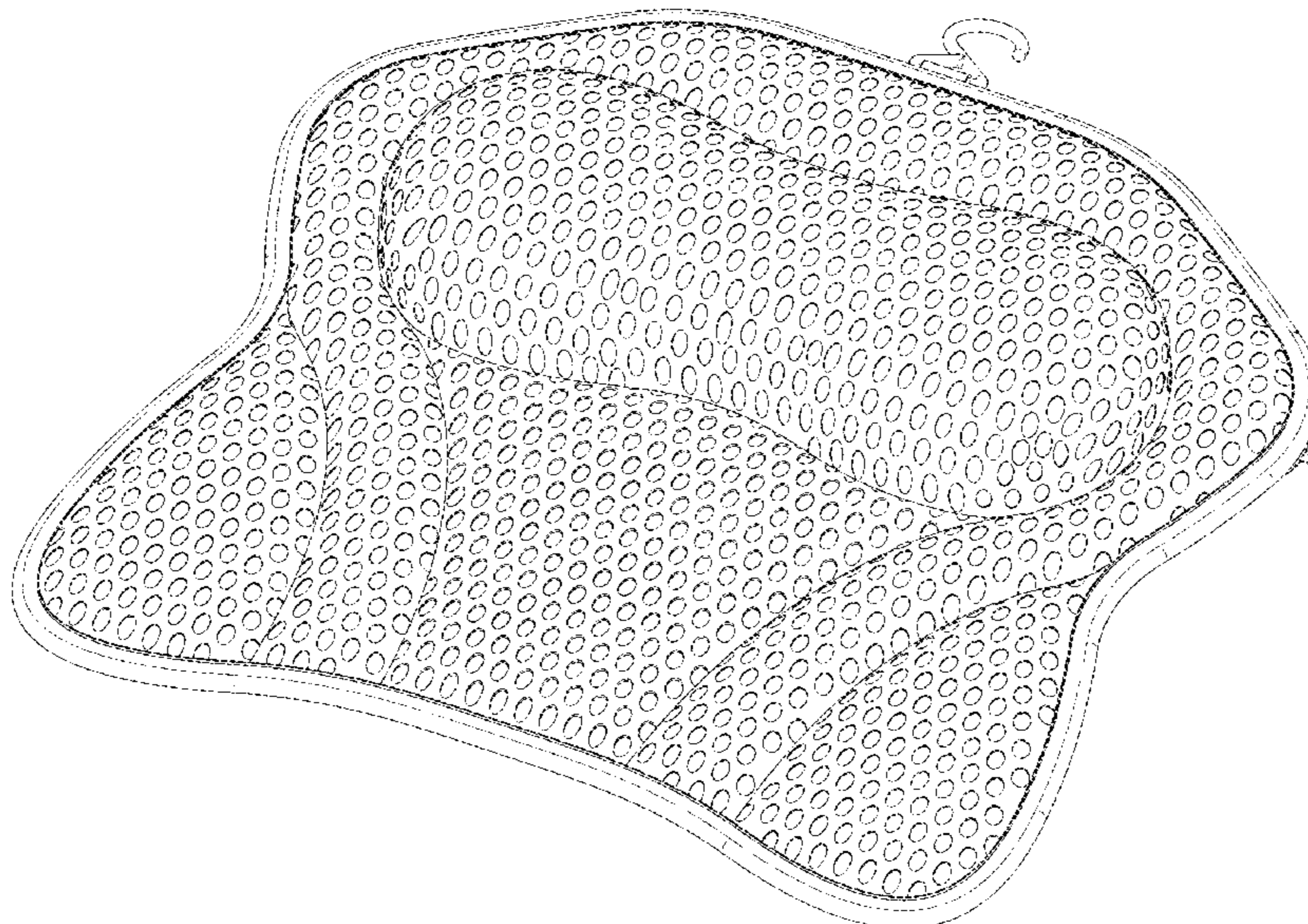
The ornamental design for a bath pillow, as shown and described.

DESCRIPTION

FIG. 1 is a front and top perspective view of a bath pillow, showing my new design;
FIG. 2 is a rear and bottom perspective view thereof;
FIG. 3 is a front elevation view thereof;
FIG. 4 is a rear elevation view thereof;
FIG. 5 is a left side elevation view thereof;
FIG. 6 is a right side elevation view thereof;
FIG. 7 is a top plan view thereof;
FIG. 8 is a bottom plan view thereof; and,
FIG. 9 is an enlarged view of a portion labeled, 'FIG. 9' in FIG. 2.

The dash-dot-dash lines in FIGS. 2 and 9 are shown for the purpose of depicting an enlarged detail view, and form no part of the claimed design.

1 Claim, 9 Drawing Sheets



(56)

References Cited

U.S. PATENT DOCUMENTS

7,810,193	B1 *	10/2010	Ennis	A47D 13/08 5/655.3
D657,604	S *	4/2012	Chen	D6/601
D698,586	S *	2/2014	Davis	D6/601
D708,454	S *	7/2014	Chen	D6/601
D765,444	S *	9/2016	Klein	D6/617
D793,770	S *	8/2017	Krishtul	D6/601
D812,931	S *	3/2018	Chen	D6/601
D871,796	S *	1/2020	Mi	D6/601
D884,392	S *	5/2020	Goh	D6/611
D885,085	S *	5/2020	Dowd	D6/601
D899,143	S *	10/2020	Luo	D6/601

OTHER PUBLICATIONS

Docilaso Bath Pillow, earliest pictured review May 20, 2019 [online], [site visited May 7, 2021]. Available from Internet, <URL: https://www.amazon.com/Soothing-Company-Bathtub-Shoulders-Luxurious/dp/B07BFRGXZH?ref_=ast_sto_dp (Year: 2019).*

www.amazon.com/Soothing-Company-Bathtub-Shoulders-Luxurious/dp/B07BFRGXZH?ref_=ast_sto_dp (Year: 2019).*

Haven Spa Bath Pillow, earliest pictured review Apr. 2021 [online], [site visited May 7, 2021]. Available from Internet, <URL: <https://www.bedbathandbeyond.com/store/product/haven-spa-bath-pillow/5403986>> (Year: 2021).*

Google search: "bath pillow" [site visited May 8, 2021]: https://www.google.com/search?q=bath+pillow&sxsr=ALeKk03RiklFQWEpd2xRLHFbPcv4jT2UPQ:1620494228755&source=Inms&tbm=isch&sa=X&ved=2ahUKEwioyW2y7rwAhXBVDUKHZg4DacQ_AUoAnoECAEQBA&biw=1200&bih=1777 (Year: 2021).*

Google search: "bathtub pillow" [site visited May 8, 2021]: https://www.google.com/search?q=bathtub+pillow&sxsr=ALeKk00yMBbe299QO_mwWs0DNzvoZd1jFQ:1620494478594&source=Inms&tbm=isch&sa=X&ved=2ahUKEwi83lauzLrwAhUHGVkFHRdYBb8Q_AUoAnoECAEQBA&biw=1200&bih=1777 (Year: 2021).*

* cited by examiner

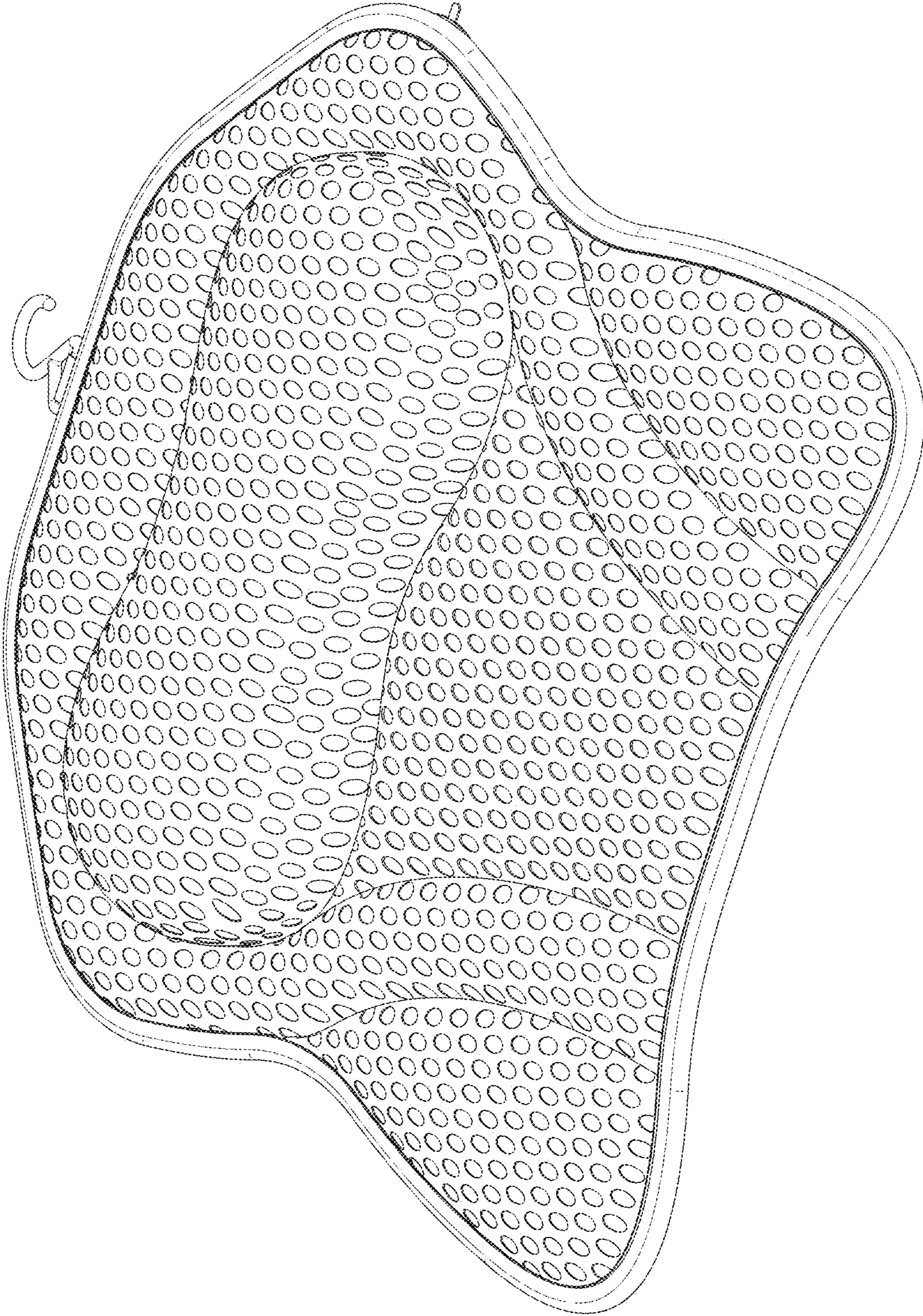


FIG. 1

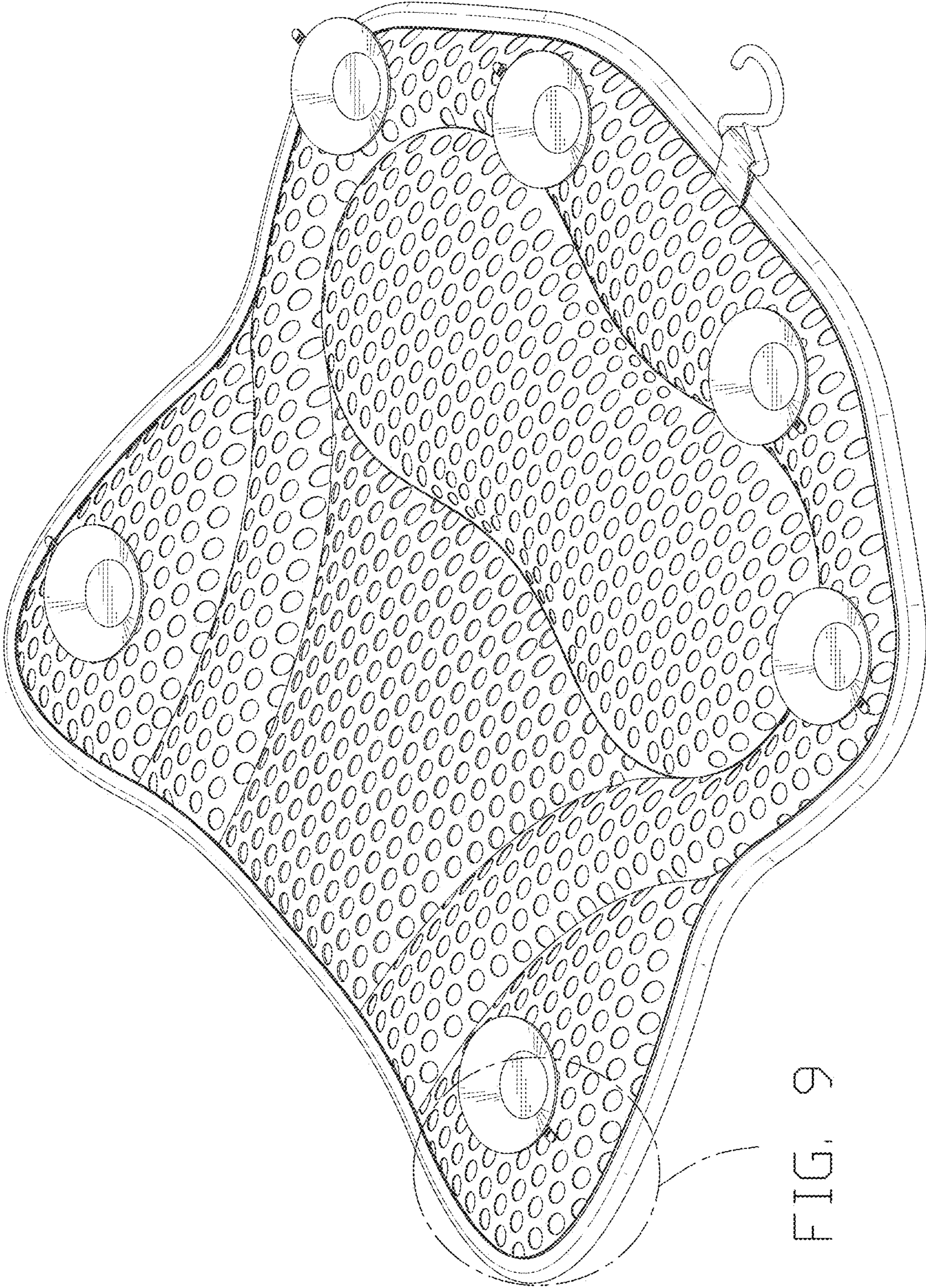


FIG. 2

FIG. 9

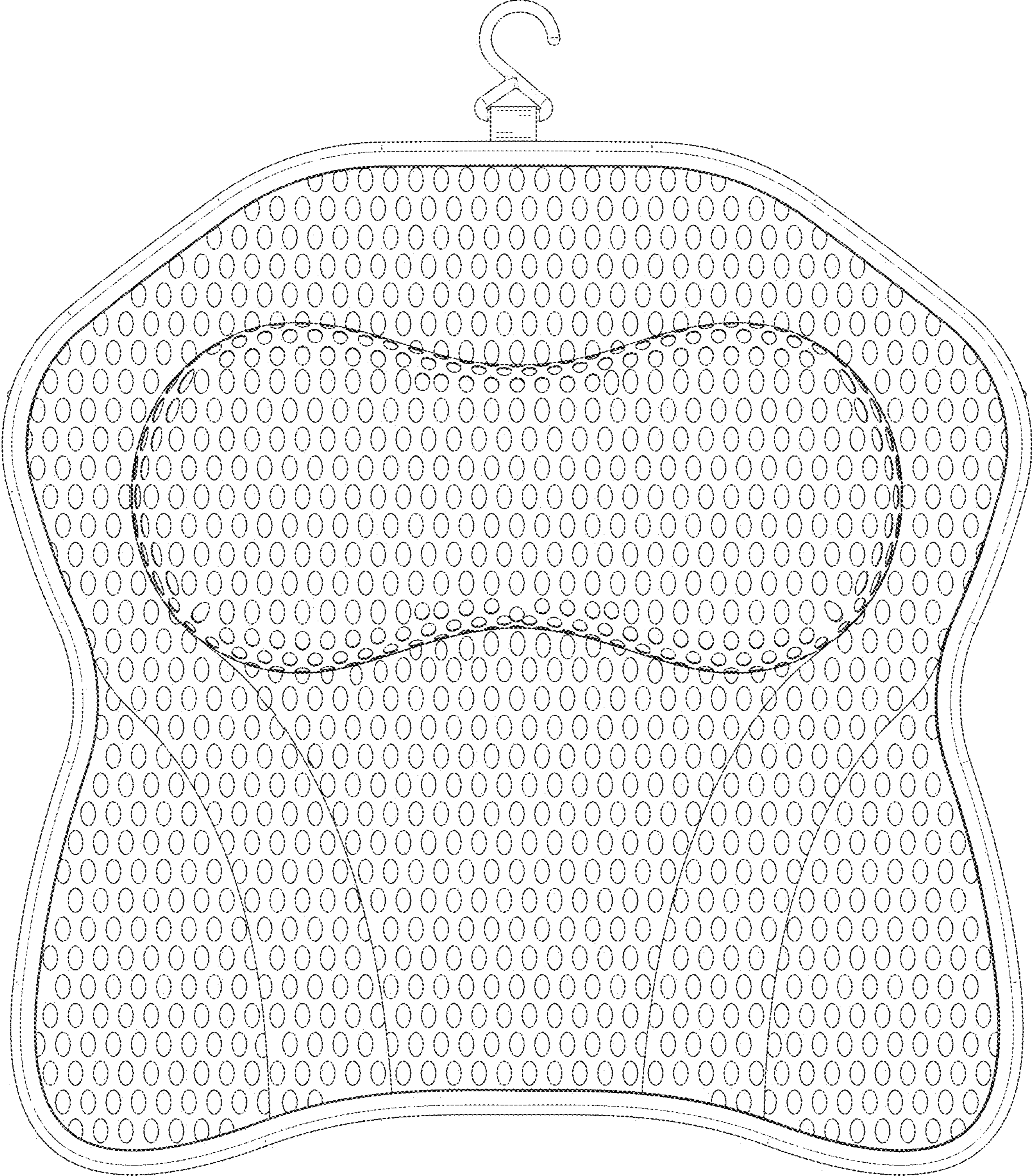


FIG. 3

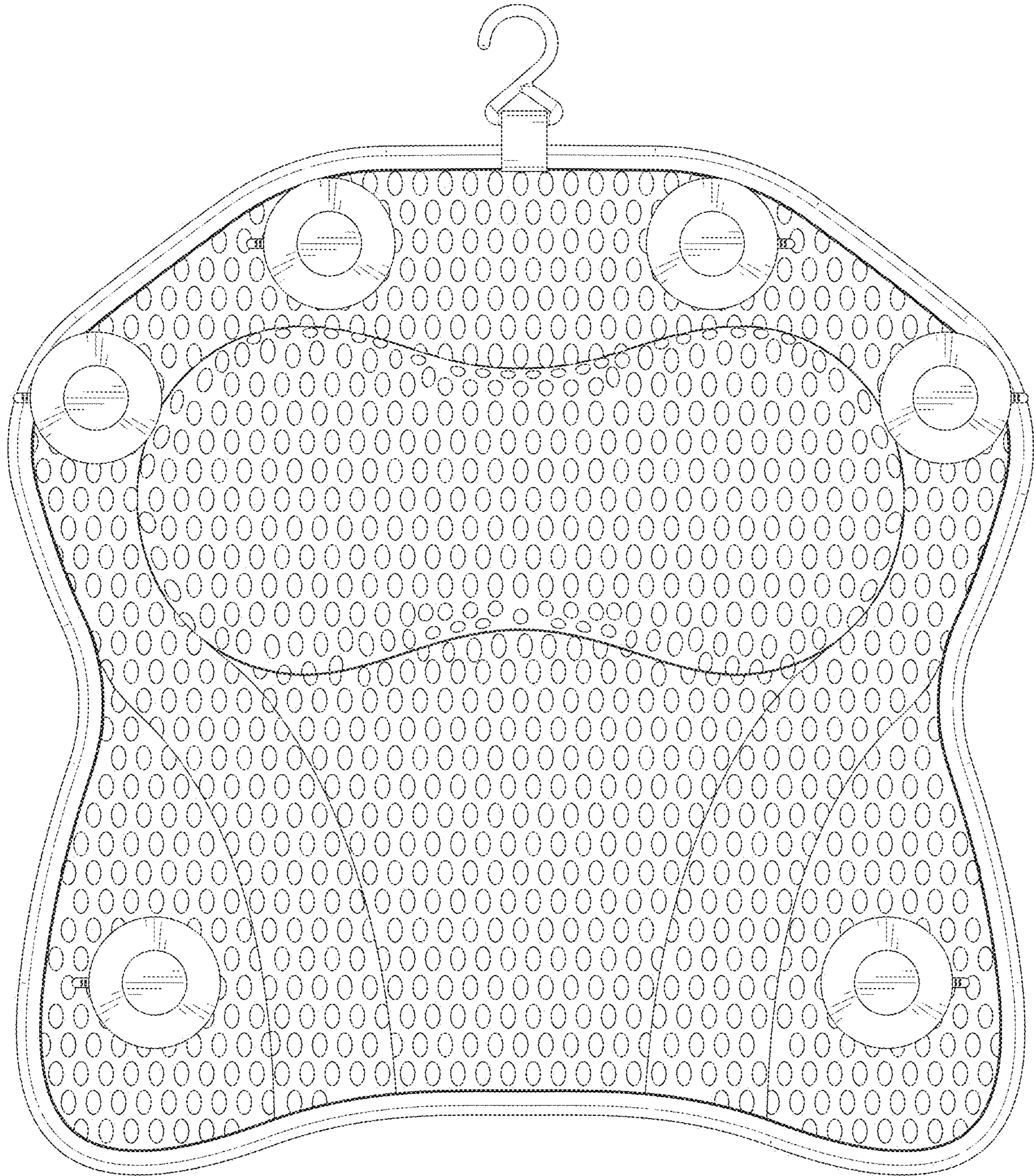


FIG. 4

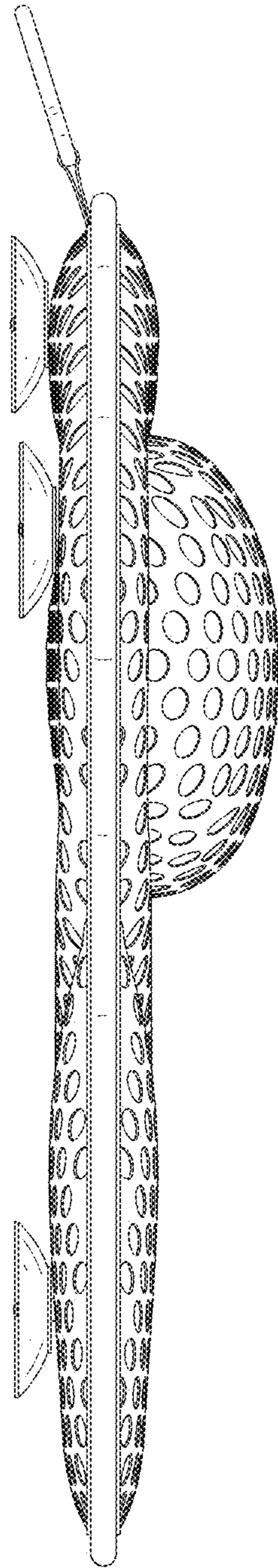


FIG. 5

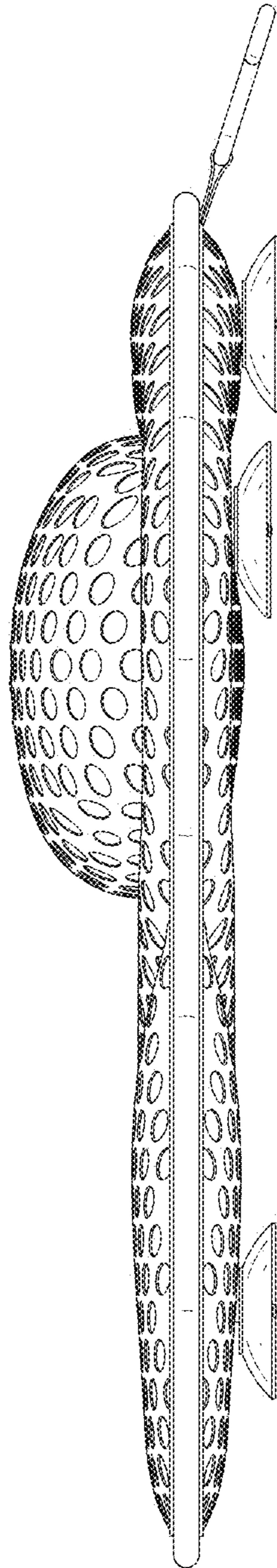


FIG. 6

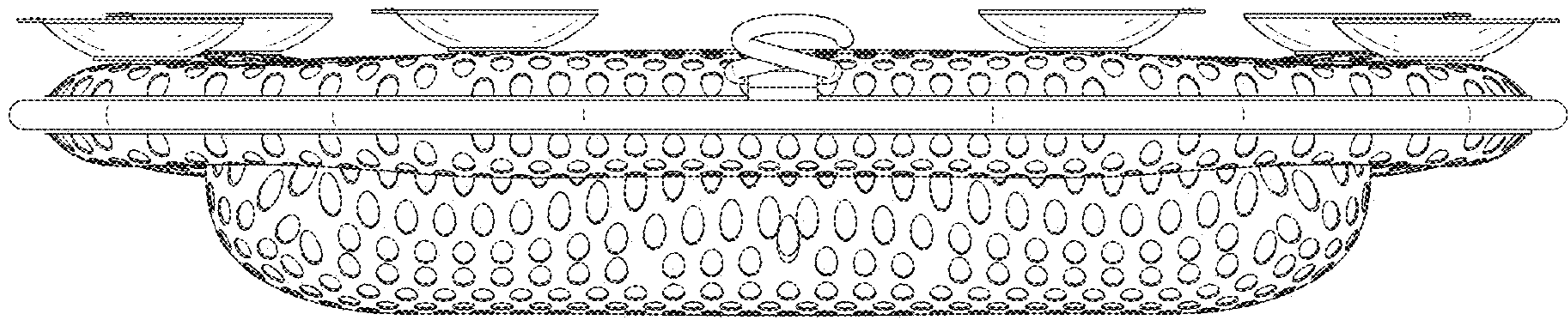


FIG. 7

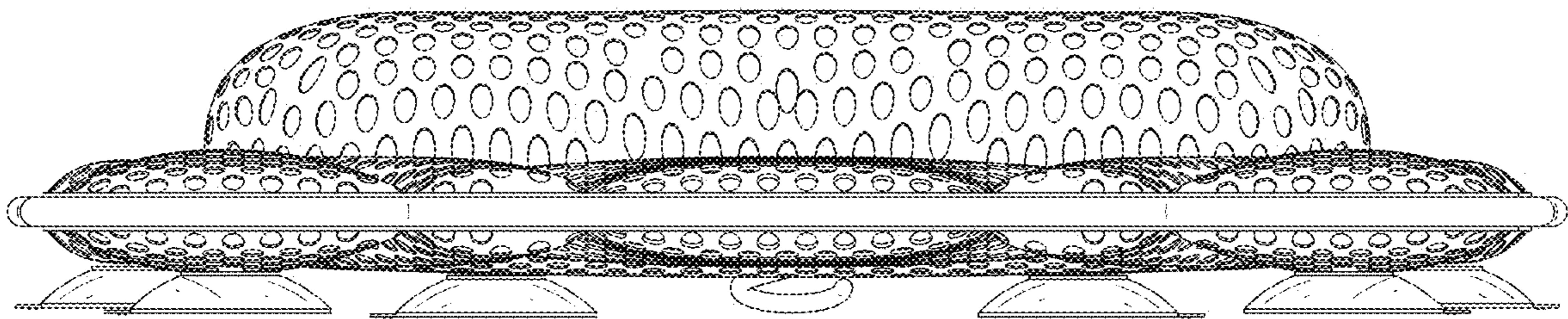


FIG. 8

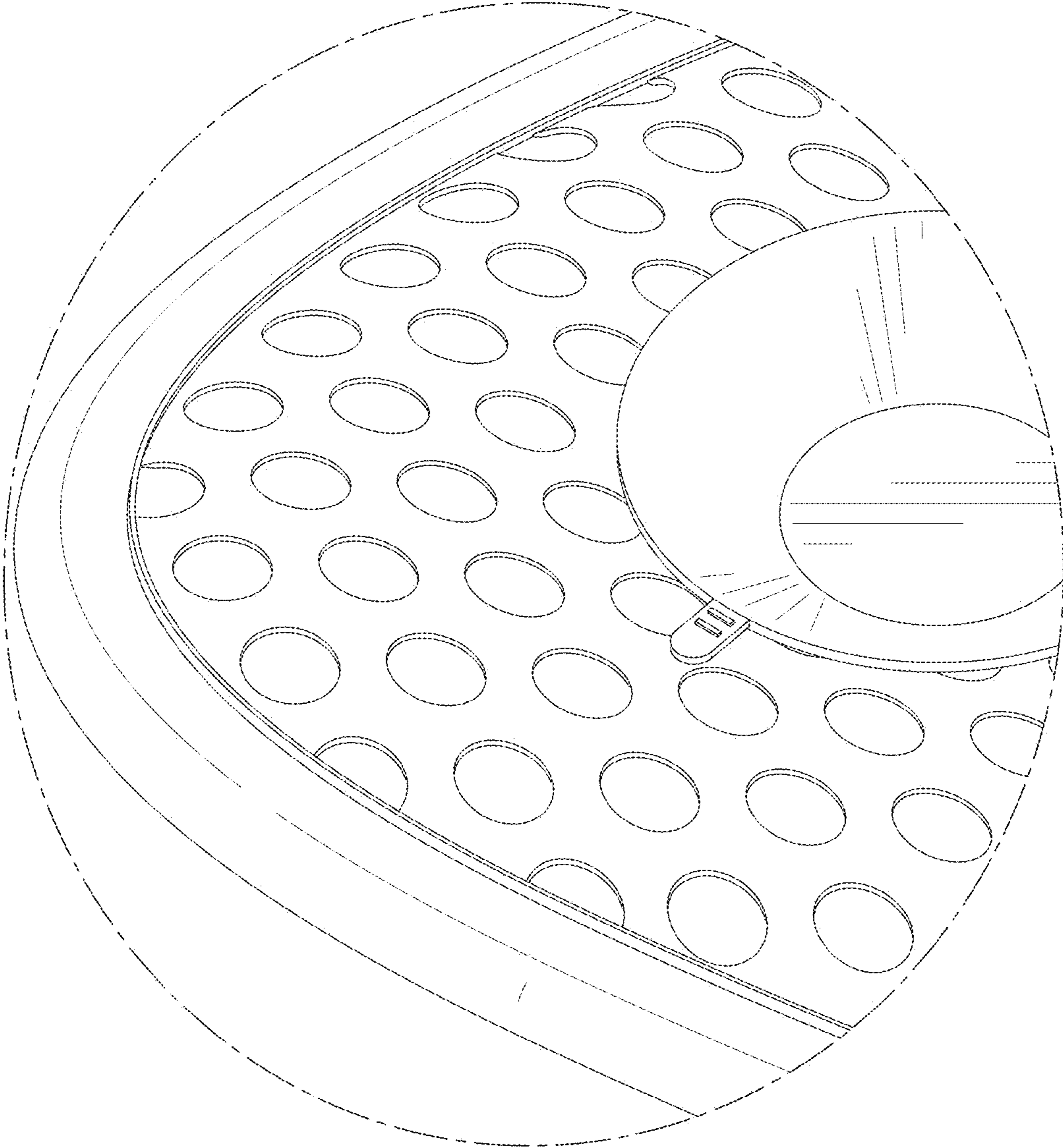


FIG. 9