



US00D932801S

(12) **United States Design Patent**
Haingaertner

(10) **Patent No.:** **US D932,801 S**

(45) **Date of Patent:** **** Oct. 12, 2021**

- (54) **CUSHION WITH MESH JOINTS**
- (71) Applicant: **Andrew Haingaertner**, Rogers, AR
(US)
- (72) Inventor: **Andrew Haingaertner**, Rogers, AR
(US)
- (**) Term: **15 Years**
- (21) Appl. No.: **29/651,856**
- (22) Filed: **May 7, 2019**
- (51) **LOC (13) Cl.** **06-09**
- (52) **U.S. Cl.**
USPC **D6/601**
- (58) **Field of Classification Search**
USPC D6/582–583, 587–592, 595–609,
D6/617–622; D21/803–809; D24/183
CPC A47G 9/00; A47G 2009/001; A47G
2009/002; A47G 2009/003; A47G 9/10;
A47G 9/1009; A47G 2009/1018; A47G
9/1045; A47G 9/1081; A47G 9/109
See application file for complete search history.

D307,370 S *	4/1990	Bailey	D6/611
D329,544 S *	9/1992	Snodgrass	D6/361
D494,770 S *	8/2004	Hillard	D6/368
D509,967 S *	9/2005	Nardi	D6/361
D653,485 S *	2/2012	Karp	D6/596
9,332,858 B1 *	5/2016	Chiang	A47C 31/11
D799,857 S *	10/2017	Takagi	D6/596
D812,950 S *	3/2018	Ressler	D6/718.1
D833,176 S *	11/2018	Wang	D6/601
10,264,888 B2 *	4/2019	Clark	A47C 1/143
10,542,824 B2 *	1/2020	Huang	A47C 17/04
2011/0183136 A1 *	7/2011	Gold	A47G 27/0206 428/223

* cited by examiner

Primary Examiner — Jennifer L Rempfer
(74) *Attorney, Agent, or Firm* — Keisling & Piper PLC;
David B. Pieper; Trent C. Keisling

(57) **CLAIM**

The ornamental design for the cushion with mesh joints, as shown and described.

DESCRIPTION

FIG. 1 is a top of the cushion with mesh joints;
FIG. 2 is a left side view thereof, the right side view being a mirror image thereof;
FIG. 3 is a front view thereof, the back view being a mirror image thereof; and,
FIG. 4 is a bottom view thereof.
The broken lines show the stitching on the claimed design.

1 Claim, 1 Drawing Sheet

(56) **References Cited**
U.S. PATENT DOCUMENTS

D90,879 S *	10/1933	Goodman	D6/361
2,623,574 A *	12/1952	Damsch	A47C 4/54 297/111
D198,624 S *	7/1964	Lockshin	D6/361
3,778,851 A *	12/1973	Howorth	A61G 7/057 5/423
D299,988 S *	2/1989	Parabita	5/420

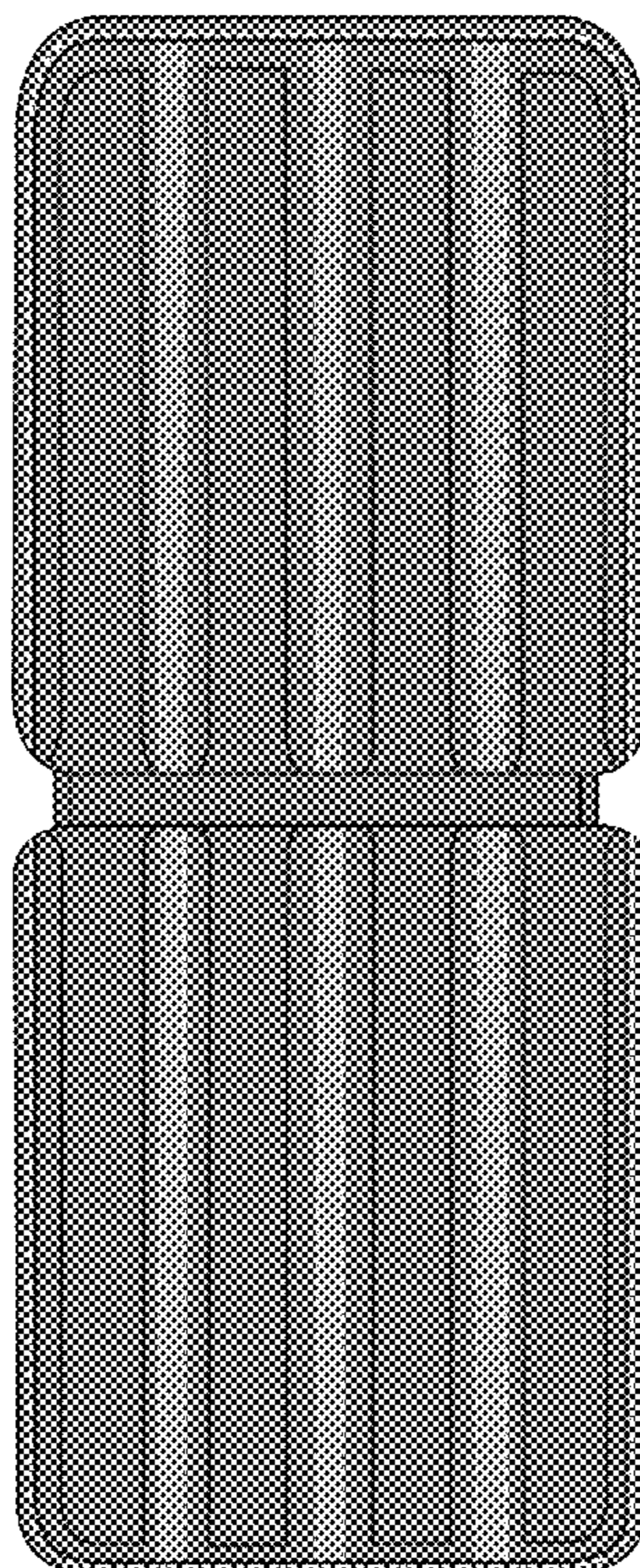




FIG. 1

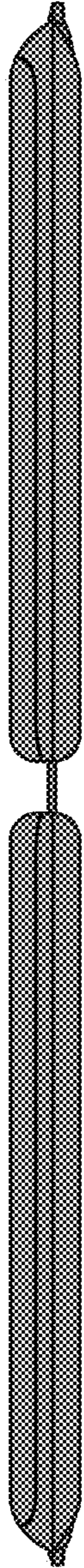


FIG. 2

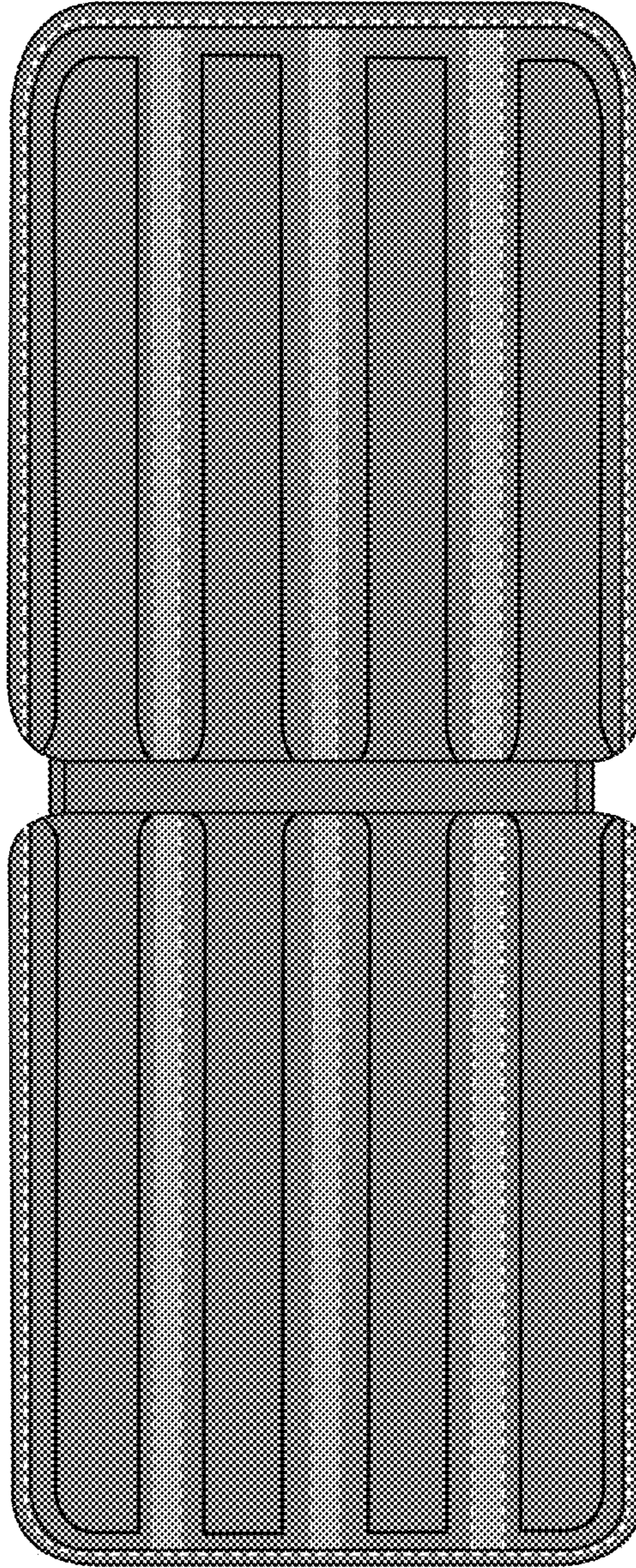


FIG. 3



FIG. 4