

US00D932799S

(12) **United States Design Patent** (10) **Patent No.:** **US D932,799 S**
Wendling (45) **Date of Patent:** **** Oct. 12, 2021**

(54) **CORNER DEVICE FOR A FLOOR COVERING**

FOREIGN PATENT DOCUMENTS

(71) Applicant: **Just Fur Love LLC**, Boston, MA (US)

GB 264447 A 2/1927
GB 2282965 A 4/1995

(72) Inventor: **Allan Wendling**, New Lothrop, MI (US)

OTHER PUBLICATIONS

(73) Assignee: **Just Fur Love, LLC**, Boston, MA (US)

NeverCurl's Best V Shape Design to Instantly Stops Rug Corner Curling by iPrimio. Amazon.com. Dec. 25, 2014. <<https://www.amazon.com/NeverCurl-Instantly-Curling-floors-anti-slip/dp/B00PBQ7EA2/>>. Accessed on Apr. 30, 2019.

(**) Term: **15 Years**

(Continued)

(21) Appl. No.: **29/705,828**

(22) Filed: **Sep. 16, 2019**

Primary Examiner — Kevin K Rudzinski

(51) **LOC (13) Cl.** **06-11**

Assistant Examiner — Clare Ann Gannon

(52) **U.S. Cl.**

(74) *Attorney, Agent, or Firm* — Wolf, Greenfield & Sacks, P.C.

USPC **D6/582**

(58) **Field of Classification Search**

(57) **CLAIM**

USPC D6/582–584, 586–589, 592, 593; D2/860; D19/9

The ornamental design for a corner device for a floor covering, as shown and described.

CPC A47G 27/02; A47G 27/0206; A47G 27/0212; A47G 27/0225; A47G 27/0231; A47G 27/0237; A47G 27/0468; A47G 9/062; A47K 3/002; A47K 7/026; A63B 21/4037; A63B 6/00; G09B 19/0015

See application file for complete search history.

DESCRIPTION

(56) **References Cited**

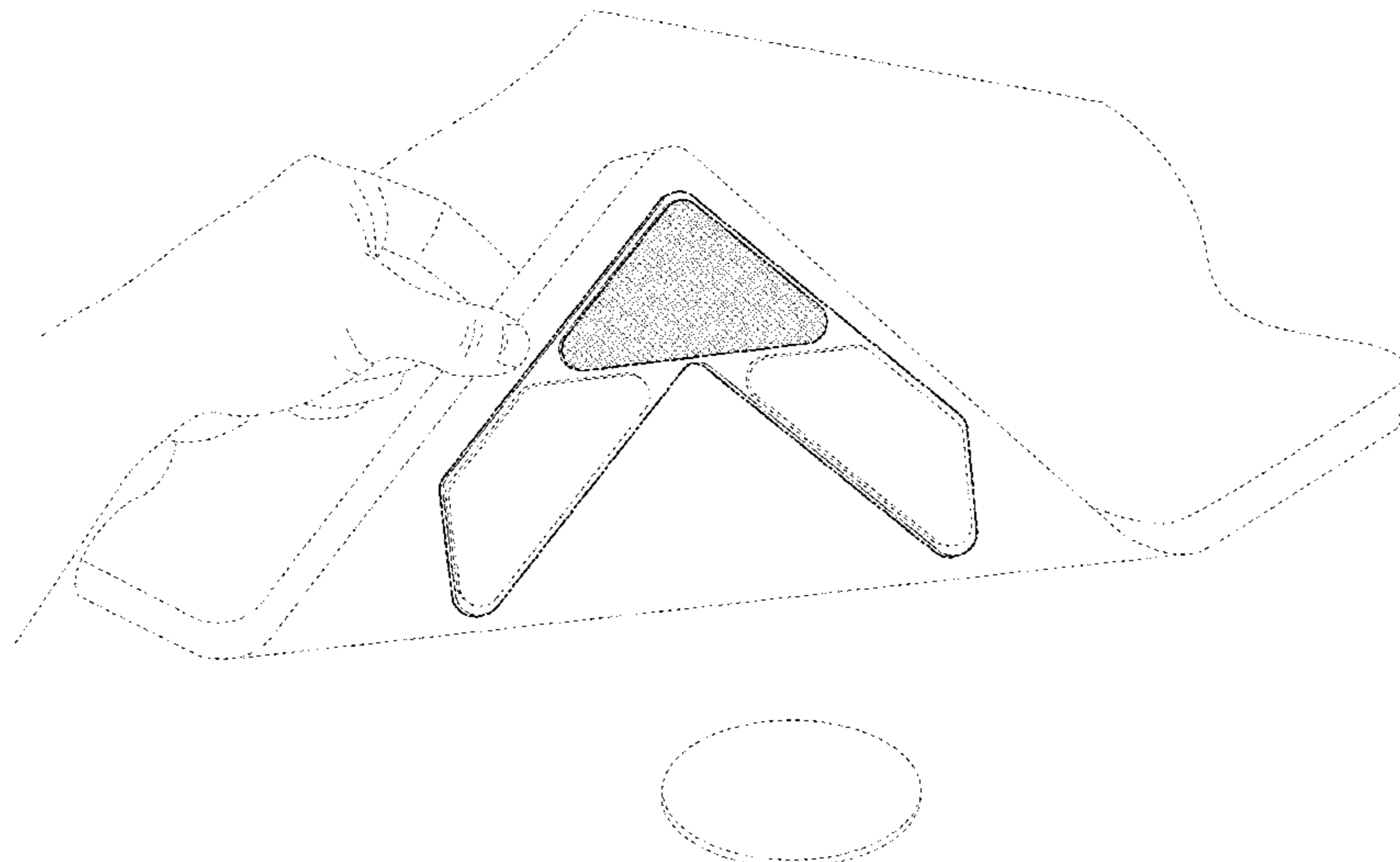
FIG. 1 is a perspective view of a first embodiment of a corner device for a floor covering showing my new design in a position of use on an environmental floor covering, which is shown pulled back by a user; FIG. 2 is a bottom plan view thereof; FIG. 3 is a top plan view thereof; FIG. 4 is a front elevation view thereof; FIG. 5 is a right elevation view thereof; FIG. 6 is a bottom plan view thereof, shown in an alternate configuration; and, FIG. 7 is a top plan view thereof, shown in the alternate configuration. The broken lines in the drawings depict environment that forms no part of the claim.

U.S. PATENT DOCUMENTS

168,063 A	9/1875	Tayloe
441,099 A	11/1890	Hoyt
632,911 A	9/1899	Berry
882,859 A	3/1908	Ammerman
922,703 A	5/1909	Knapp
1,182,764 A	5/1916	Harral
1,430,981 A	10/1922	Goldthwaite
1,509,047 A	9/1924	Lindhorst
1,526,261 A	2/1925	Wachs
1,573,828 A	2/1926	Hamilton
1,598,127 A	8/1926	Fleming
2,030,649 A	2/1936	Miller
2,042,692 A	6/1936	Wurzburg

(Continued)

1 Claim, 6 Drawing Sheets



(56)

References Cited

U.S. PATENT DOCUMENTS

2,236,465 A 3/1941 Carlson
 2,736,976 A 3/1956 Richthamer
 3,071,777 A * 1/1963 Miller A47G 27/0243
 112/401
 3,203,125 A 8/1965 Stoessel
 3,559,273 A 2/1971 Porzio
 D230,807 S 3/1974 Penson
 4,217,164 A 8/1980 La Mers
 4,464,834 A 8/1984 Simms
 4,537,001 A * 8/1985 Uppstrom B44C 3/123
 273/157 R
 4,597,206 A 7/1986 Benson
 4,636,047 A 1/1987 Green
 4,681,786 A 7/1987 Brown
 RE32,929 E 5/1989 Ewing
 4,853,268 A 8/1989 Hansen
 4,998,319 A 3/1991 Ford
 5,003,664 A 4/1991 Wong
 5,102,129 A * 4/1992 Roberts A63B 5/22
 273/239
 D330,988 S 11/1992 Robbins, III
 5,305,538 A 4/1994 Kanzelberger
 5,411,167 A 5/1995 Weder
 5,450,046 A 9/1995 Kosugi et al.
 5,469,599 A 11/1995 Wurdack
 5,712,767 A 1/1998 Koizumi
 D400,780 S 11/1998 Wurdack
 5,966,757 A 10/1999 Sullivan
 D420,658 S 2/2000 Eyler
 6,022,617 A 2/2000 Calkins
 6,120,565 A 9/2000 Dix et al.
 6,124,017 A 9/2000 Sokol, Jr. et al.
 6,216,315 B1 4/2001 Fuzzell
 6,230,446 B1 5/2001 Chalich
 D444,010 S 6/2001 Ambrosio
 D453,339 S 2/2002 Pentz
 D453,517 S 2/2002 Pentz
 6,385,812 B1 5/2002 Iverson
 6,460,303 B1 10/2002 Pacione
 D474,537 S 5/2003 Hantke et al.
 6,558,786 B1 5/2003 Jupina
 6,673,409 B1 1/2004 Wheatley
 6,901,629 B2 6/2005 Wurdack
 7,342,850 B2 3/2008 Martens et al.
 D569,064 S 5/2008 Hinder et al.
 7,397,734 B2 7/2008 Martens et al.
 D575,332 S 8/2008 Parker et al.
 D616,020 S 5/2010 Hoppus et al.
 D630,877 S 1/2011 Howie
 D638,526 S 5/2011 Newman
 D639,408 S 6/2011 Newman
 D659,323 S 5/2012 Davis
 D661,446 S 6/2012 Davis
 D669,759 S 10/2012 Castilleja et al.
 D674,641 S 1/2013 Daniel
 8,438,701 B2 5/2013 Bushey
 8,485,112 B1 7/2013 Madden
 D692,124 S * 10/2013 Austin D24/110.1
 D706,551 S * 6/2014 Lawrence D6/582
 D726,453 S * 4/2015 Byrd D6/607
 D748,202 S 1/2016 Kennedy
 9,238,180 B2 1/2016 Kennedy
 D753,983 S 4/2016 Toye
 D763,843 S 8/2016 Gustaverson, II
 D764,592 S 8/2016 Zenoff
 D769,144 S 10/2016 Dingus et al.
 D798,781 S 10/2017 Adkins
 9,894,995 B2 2/2018 Downs
 D827,061 S 8/2018 Trenkle
 D838,773 S 1/2019 Frost
 D851,702 S 6/2019 Goldstein et al.
 10,357,122 B2 7/2019 Wendling
 10,368,675 B2 8/2019 Wendling
 D861,404 S 10/2019 Ochsenfeld et al.
 D864,069 S 10/2019 Fichter et al.

D864,609 S * 10/2019 Lagun B44C 3/123
 D6/582
 D873,050 S * 1/2020 Wendling A47G 27/0243
 D6/592
 D884,094 S 5/2020 Huneau
 D886,492 S 6/2020 Farkas
 D901,644 S 11/2020 Freeman
 2001/0017017 A1 * 8/2001 Pacione A47G 27/0293
 52/506.05
 2001/0044964 A1 11/2001 Phillips
 2002/0004114 A1 1/2002 Leaphart, Jr. et al.
 2002/0020016 A1 2/2002 Lyons
 2003/0203152 A1 10/2003 Higgins et al.
 2004/0068830 A1 4/2004 Sandeman
 2004/0093687 A1 5/2004 Bushey
 2004/0123421 A1 7/2004 Bushey
 2005/0025926 A1 2/2005 Risi et al.
 2005/0257341 A1 11/2005 Chen et al.
 2006/0127628 A1 6/2006 Price
 2006/0191218 A1 8/2006 Pacione
 2007/0220673 A1 9/2007 Nichols
 2008/0052827 A1 3/2008 DeIntinis
 2008/0152860 A1 6/2008 Meyer
 2008/0229501 A1 9/2008 Hutchison
 2009/0250367 A1 10/2009 Murdoch et al.
 2011/0059830 A1 3/2011 Reese
 2011/0074128 A1 3/2011 Chang
 2011/0230313 A1 9/2011 Gamboa
 2012/0073081 A1 3/2012 Crenshaw, Sr.
 2012/0284917 A1 11/2012 Nirmel
 2012/0285613 A1 11/2012 Bongiovanni et al.
 2014/0068858 A1 3/2014 Wambeke
 2014/0141201 A1 5/2014 Berner et al.
 2014/0141204 A1 5/2014 Calkins
 2014/0194265 A1 7/2014 Torres
 2015/0013065 A1 1/2015 Ketcham
 2015/0289698 A1 * 10/2015 Brooks A47G 27/02
 428/80
 2016/0029826 A1 2/2016 Bongiovanni et al.
 2016/0037944 A1 2/2016 Savignano
 2016/0129300 A1 * 5/2016 Moore B32B 9/045
 428/35.5
 2016/0135632 A1 5/2016 Wendling
 2016/0135633 A1 5/2016 Wendling
 2017/0105563 A1 4/2017 Dawson et al.
 2018/0049574 A1 2/2018 Wendling
 2019/0358482 A1 11/2019 Huneau

OTHER PUBLICATIONS

Rug Anchors Carpet Hook and Loop Non-slip Mat Anti-skid Stickers by Yorwe. Amazon.com. Dec. 19, 2016. <<https://www.amazon.com/dp/B01N36UYZP/>>. Accessed on Apr. 30, 2019.
 Rug Grippers by Befayoo. Amazon.com. Jul. 25, 2018. <<https://www.amazon.com/dp/B07FY1C72Z/>>. Accessed on Apr. 30, 2019. (Year: 2018).
 Rug Pads for Hardwood Floors & Outdoor Rugs by DAGEDA. Amazon.com. Feb. 22, 2019. <<https://www.amazon.com/dp/B07P2G4QYB/>>. Accessed on Apr. 30, 2019.
 Election Restriction pertaining to U.S. Appl. No. 29/723,488 dated Jun. 29, 2020, 26 pages.
 Election Restriction pertaining to U.S. Appl. No. 29/723,518 dated Jun. 29, 2020, 28 pages.
 Make Your Own Bench Cookies for Cheap With Lee Valley Bench Pucks; Toolguyd.com; Sep. 8, 2011; Accessed on Feb. 12, 2020; (Year 2011), 8 pages.
 Mr Ton Rug Gripper, Anti Curling Non Slip Rug Pad with Renewable Gripper Tape for Indoor & Outdoor Carpet Mat, Door Mat, Ideal for All Flat Floor Type, 8 pcs, Large Size, Amazon, May 15, 2018, <https://www.amazon.com/Mr-Ton-Gripper-curling-renewable-outdoor/dp/B07D39P457/>, 1 page.
 Rug Grippers by Bowerbird 8 pcs, "Anti Curling Non Slip Rug Gripper Flatten Rug Corners Stop Sliding Ideal Alternative to Rug Pad Carpet Tape and Rug Tape for Hard Floors" B078J1279D PcJ548JA, Let'S Go Shopping, Dec. 20, 2017, <http://111.>

(56)

References Cited

OTHER PUBLICATIONS

midwestaginsurance.net/rug-pads-ff-18_20/rug-grippers-by-bowerbird-8-pcs-anti-curling-and-non-slip-rug-gripper-flatten-rug-corners-stop-sliding-ideal-alternative-to-rug-pad-carpet-tape-and-rug-tape-for-hardfloors-b078i1279d-oci548ia-rm-4664.html, 1 page.
Self-Stick Non-Slip Surface Grip Pads by SoftTouch; Sold on Amazon.com; Mar. 31, 2009, 9 pages.

* cited by examiner

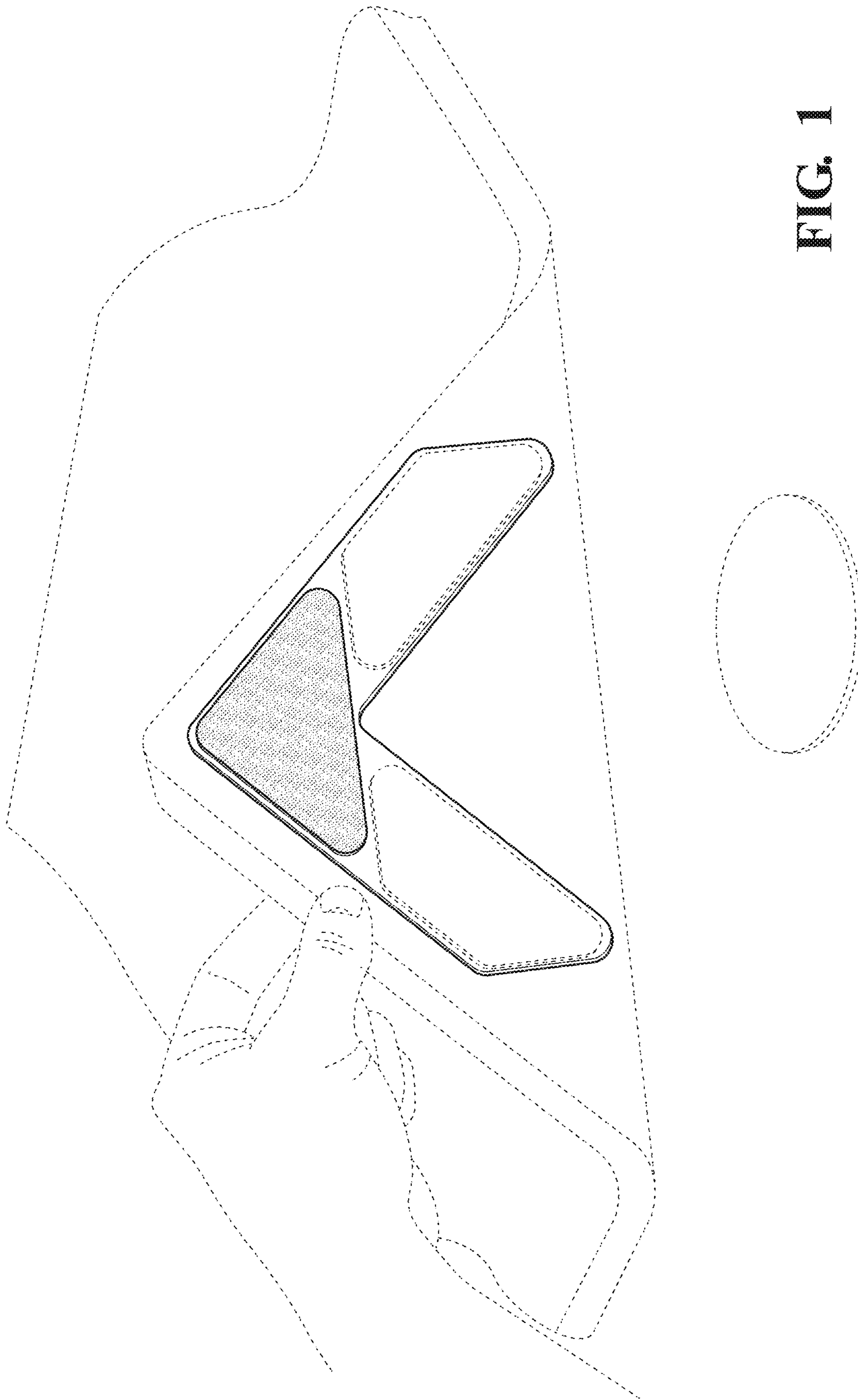


FIG. 1

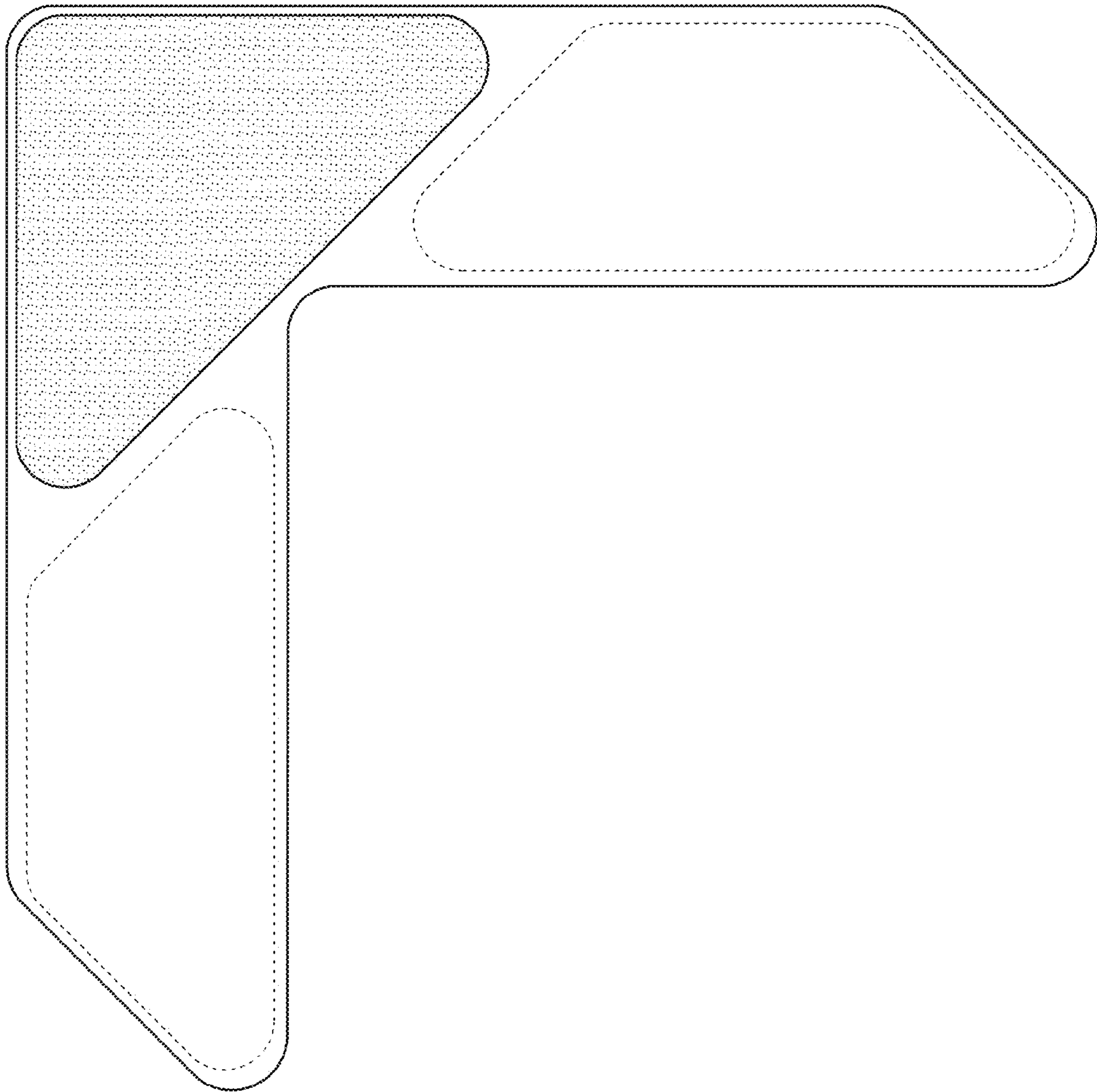
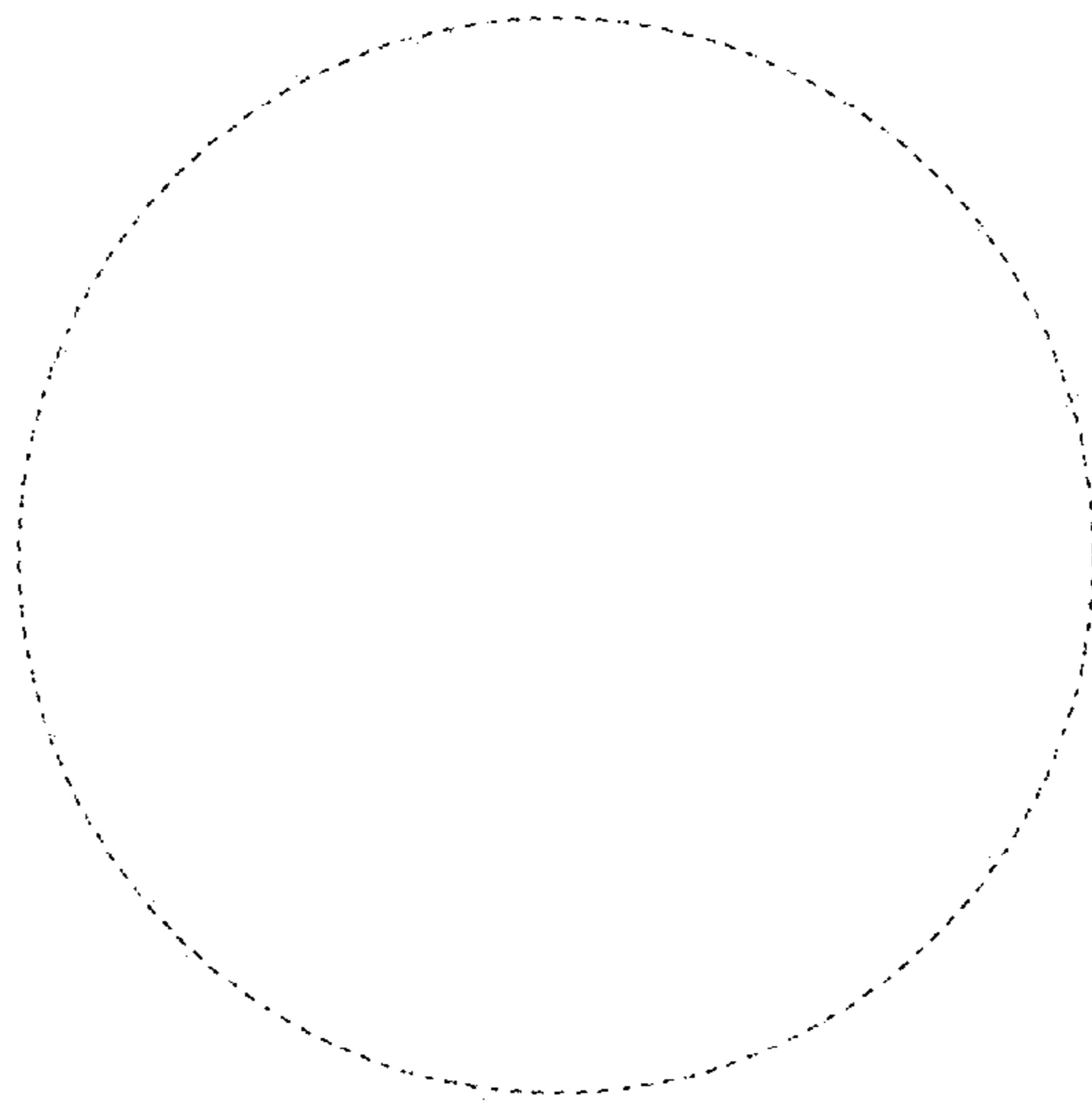


FIG. 2



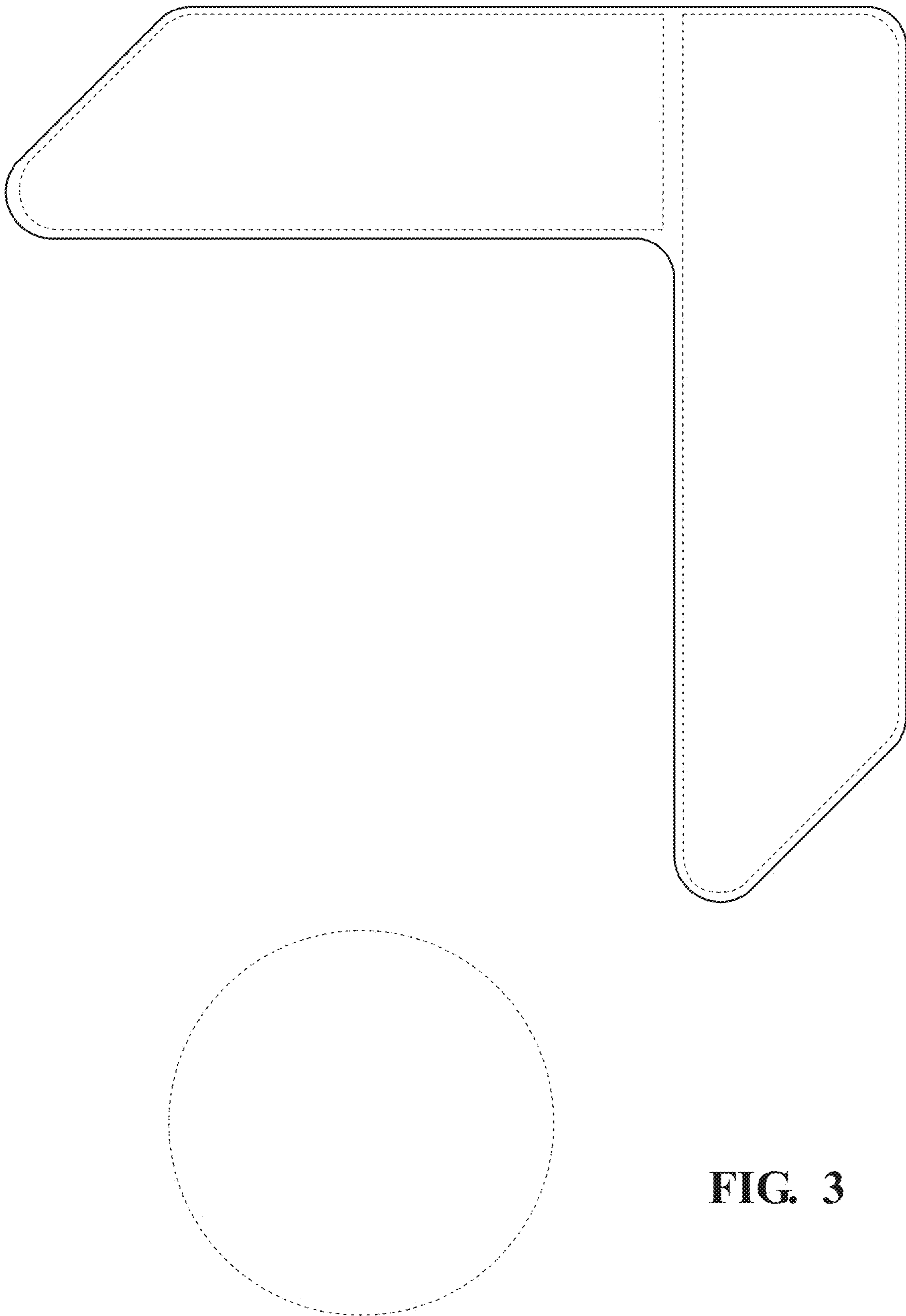


FIG. 3

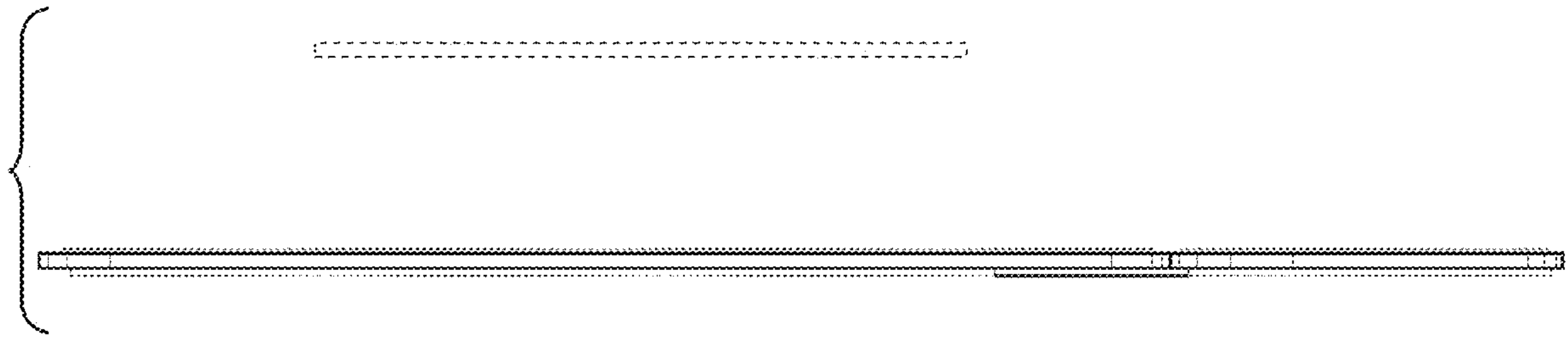


FIG. 4

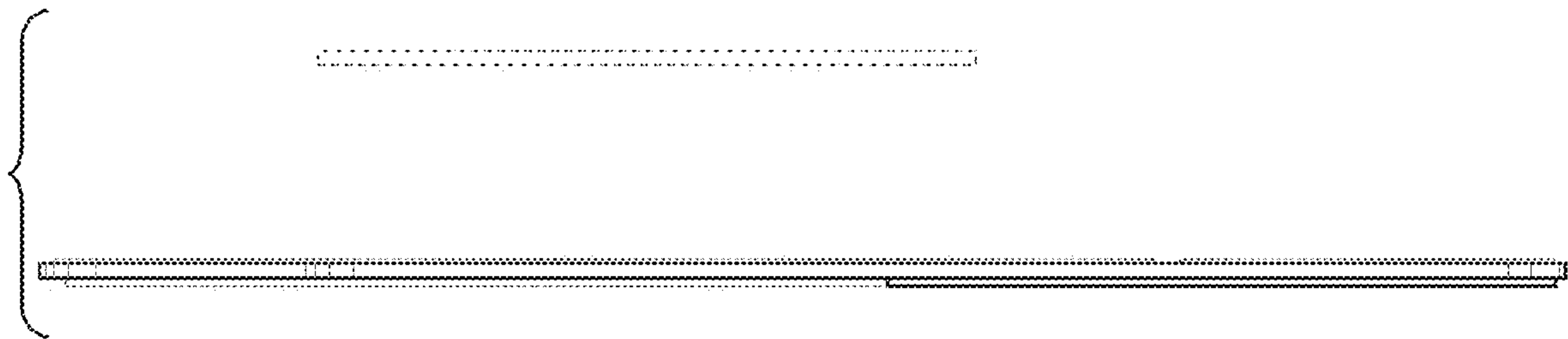


FIG. 5

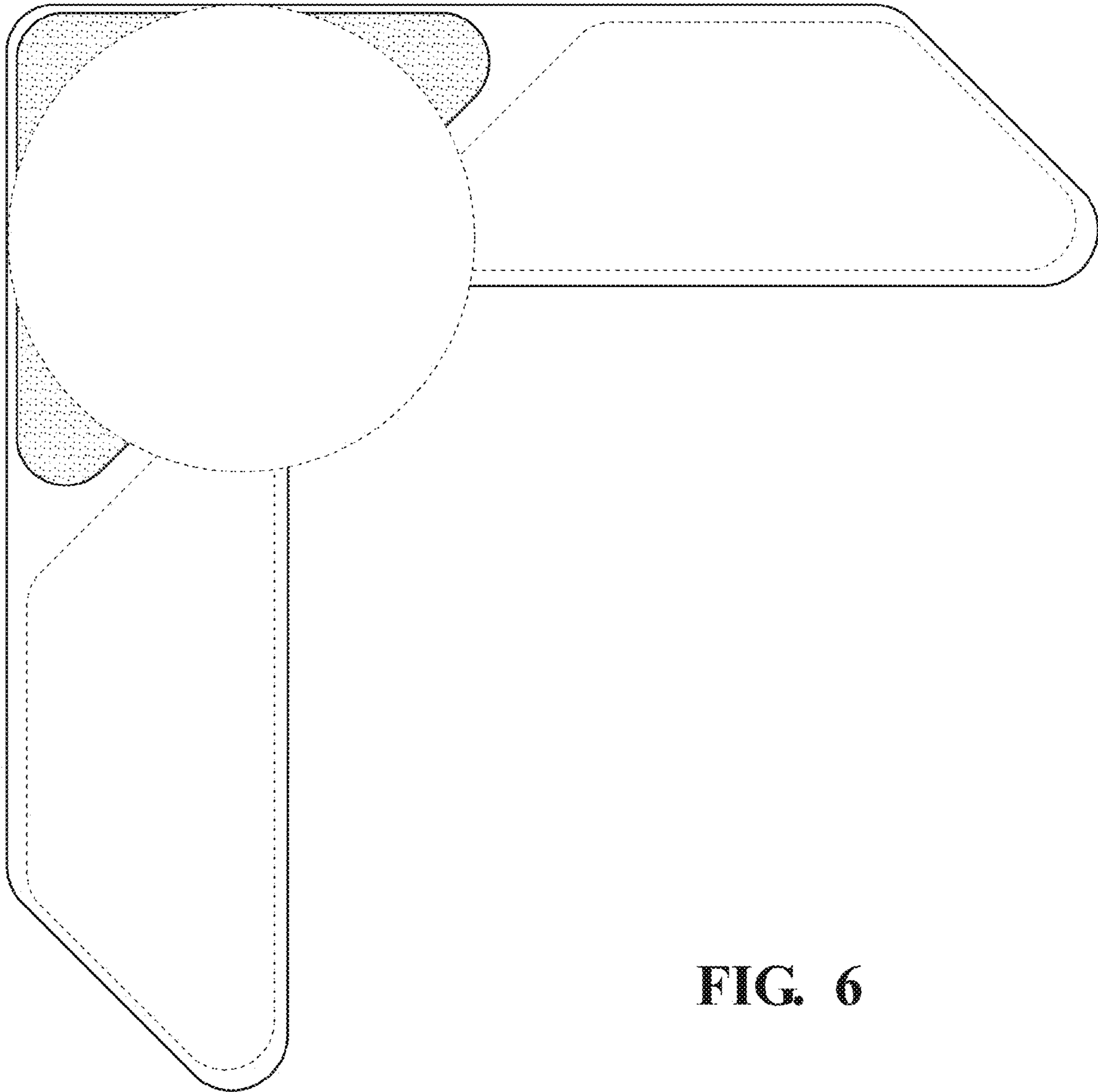


FIG. 6

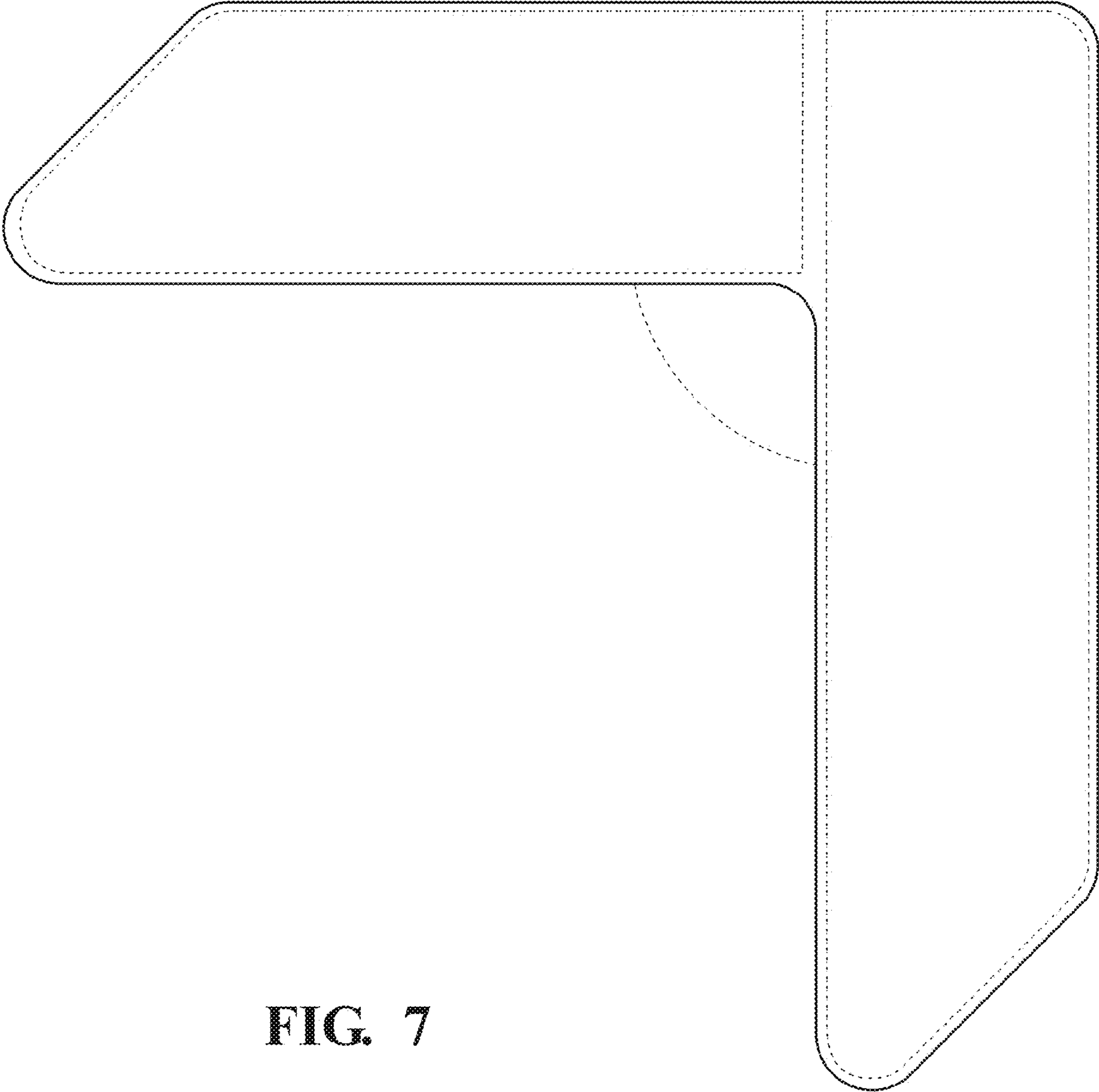


FIG. 7