



US00D932798S

(12) **United States Design Patent** (10) **Patent No.:** **US D932,798 S**
Prevoteau et al. (45) **Date of Patent:** **** Oct. 12, 2021**

(54) **INDOOR BLIND**

(71) Applicant: **SOMFY ACTIVITES SA**, Cluses (FR)

(72) Inventors: **Mathieu Prevoteau**, Cran Gevrier (FR);
Thomas Desagre, Cluses (FR)

(73) Assignee: **SOMFY ACTIVITES SA**, Cluses (FR)

(**) Term: **15 Years**

(21) Appl. No.: **35/509,011**

(22) Filed: **Jan. 28, 2020**

(80) **Hague Agreement Data**

Int. Filing Date: **Jan. 28, 2020**

Int. Reg. No.: **DM/206833**

Int. Reg. Date: **Jan. 28, 2020**

Int. Reg. Pub. Date: **Apr. 10, 2020**

(30) **Foreign Application Priority Data**

Aug. 1, 2019 (EM) 006676573

(51) **LOC (13) Cl.** **06-10**

(52) **U.S. Cl.**
USPC **D6/575**

(58) **Field of Classification Search**

USPC D6/575, 576, 577, 579, 580

CPC E06B 9/08; E06B 9/24; E06B 9/26; E06B
9/28; E06B 9/40; E06B 9/42; E06B 9/44;
E06B 9/60; E06B 9/72

See application file for complete search history.

(56) **References Cited**

U.S. PATENT DOCUMENTS

D33,738 S * 12/1900 Timmerhoff D6/580

2,012,887 A * 8/1935 Major E06B 9/34
160/133

D403,910 S * 1/1999 Anderson E06B 9/34
D6/580

D487,661 S * 3/2004 Signorati D6/580

D742,550 S * 11/2015 Mitchell E06B 9/42
D25/126

D808,771 S * 1/2018 Guerra E06B 9/72
D8/356

(Continued)

FOREIGN PATENT DOCUMENTS

DE 4038419 A1 6/1991

FR 2969689 A1 6/2012

(Continued)

OTHER PUBLICATIONS

Somfy Sonesse Ultra 30 Wirefree 12V Rechargeable Lithium-Ion
RTS Shade Motor—Amazon.com [https://www.amazon.com/Sonesse-
Wirefree-Rechargeable-Lithium-Ion-1003310/dp/B07ZHMP4LQ](https://www.amazon.com/Sonesse-Wirefree-Rechargeable-Lithium-Ion-1003310/dp/B07ZHMP4LQ)
retrieved from the internet on Mar. 23, 2021.*

Primary Examiner — Mary Ann Calabrese

(74) *Attorney, Agent, or Firm* — IpHorgan Ltd.

(57) **CLAIM**

The ornamental design for an indoor blind, as shown and
described.

DESCRIPTION

1. Indoor blind

1.1 : Perspective view of an indoor blind in a retracted
configuration.

1.2 : Front view of the indoor blind in the retracted con-
figuration.

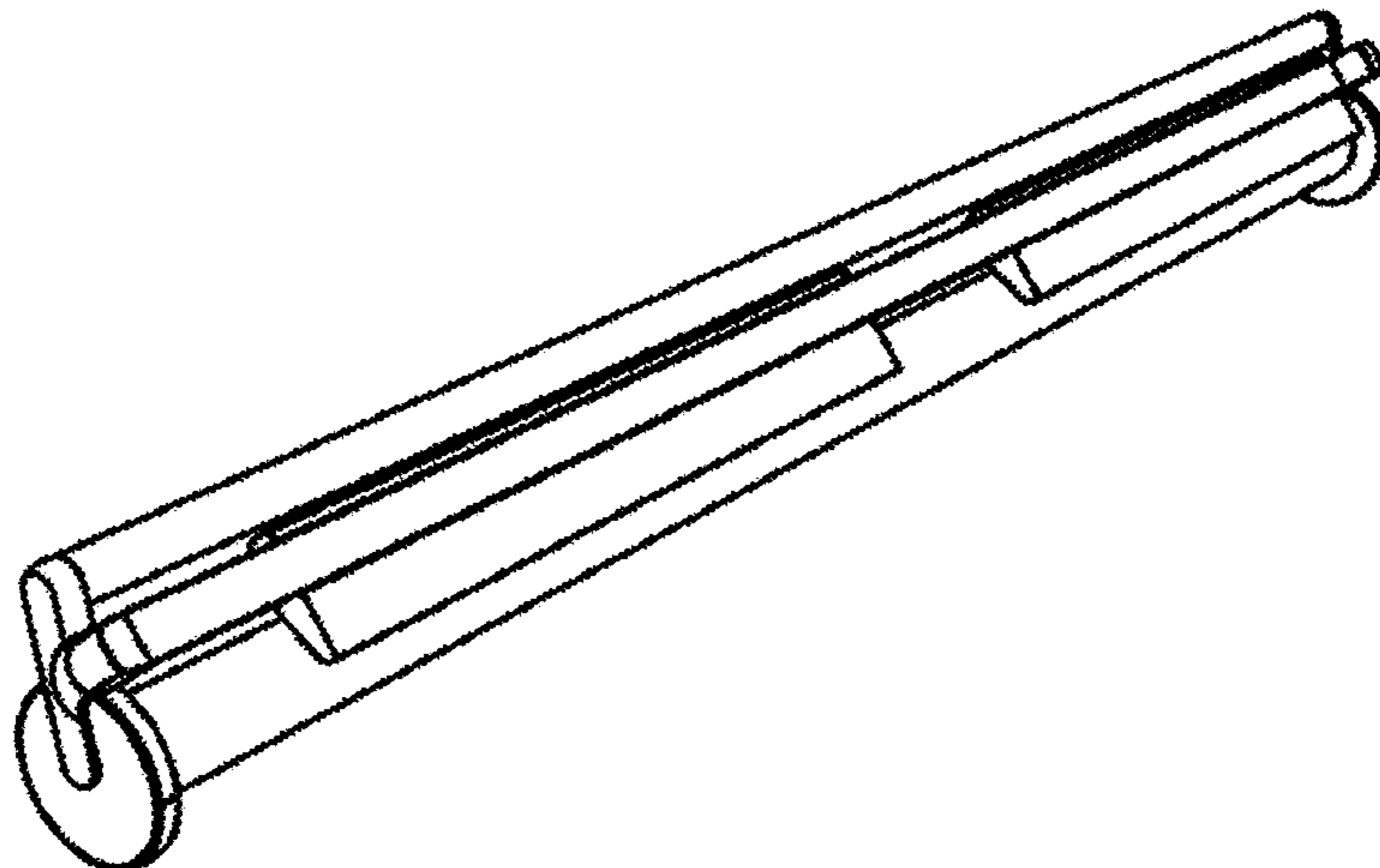
1.3 : Back view of the indoor blind in the retracted configu-
ration.

1.4 : Left view of the indoor blind in the retracted configu-
ration.

1.5 : Right view of the indoor blind in the retracted con-
figuration.

1.6 : Top view of the indoor blind in the retracted configu-
ration.

(Continued)



1.7 : Bottom view of the indoor blind in the retracted configuration.

1 Claim, 7 Drawing Sheets

(56)

References Cited

U.S. PATENT DOCUMENTS

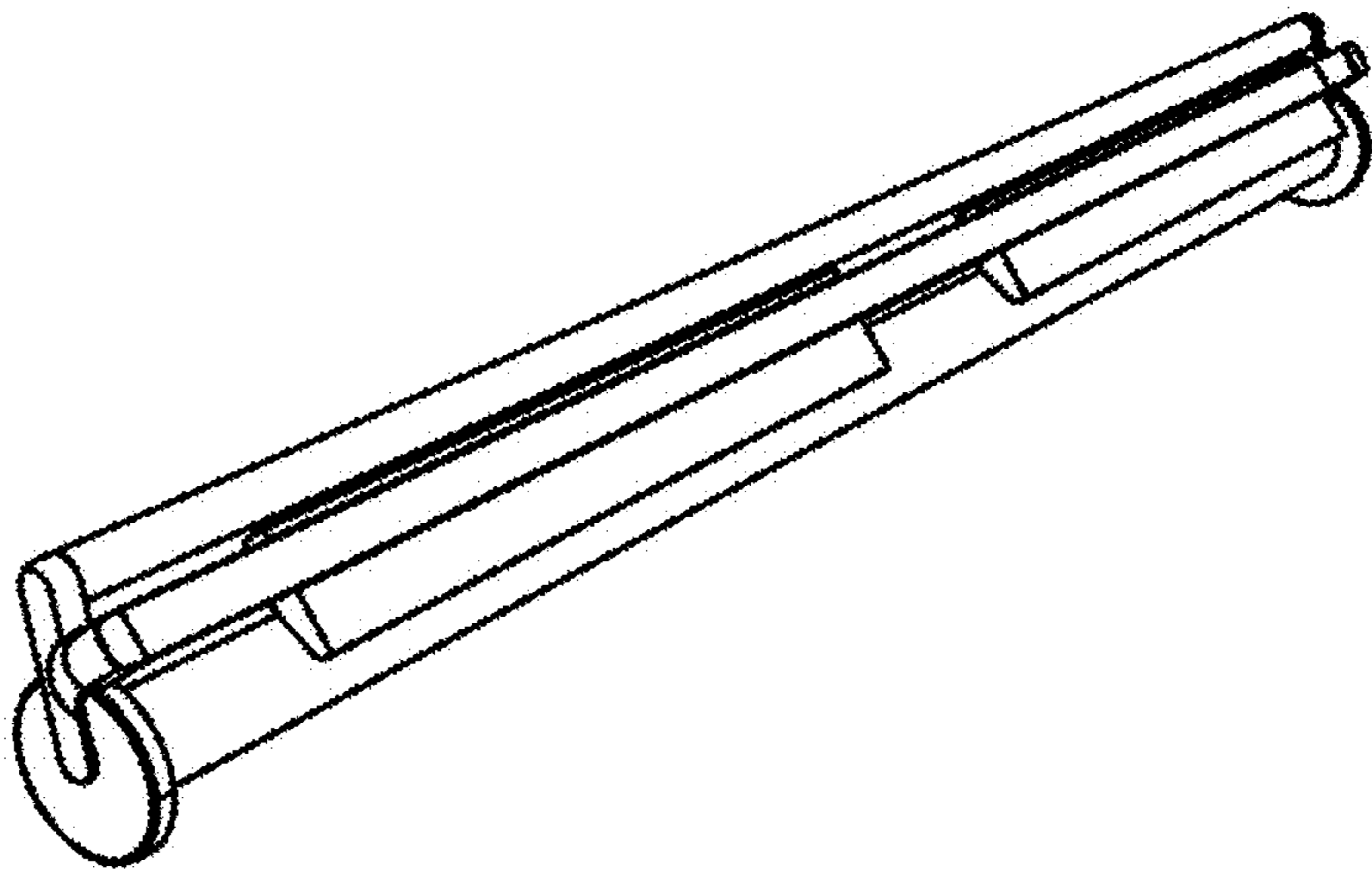
2008/0121352 A1* 5/2008 Cheng E06B 9/08
160/238
2010/0219306 A1* 9/2010 Detmer E06B 9/72
248/201
2013/0269885 A1 10/2013 Cavarec et al.
2015/0047796 A1* 2/2015 Peng G06F 1/1652
160/323.1
2017/0138125 A1* 5/2017 Adib G06F 1/1603
2017/0159359 A1* 6/2017 Vries E06B 9/42
2020/0141183 A1* 5/2020 Jang E06B 9/60
2020/0386045 A1* 12/2020 Lemaitre E06B 9/42

FOREIGN PATENT DOCUMENTS

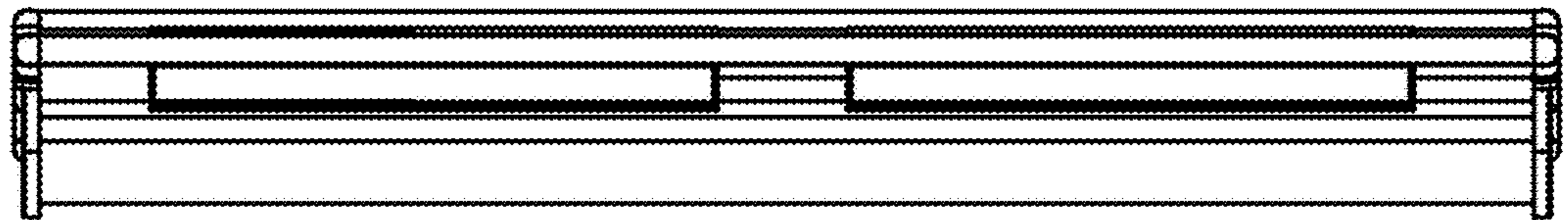
FR 2980812 A1 4/2013
FR 3070711 A1 3/2019
FR 3070712 A1 3/2019
WO 2013186321 A1 12/2013
WO 2019043239 A1 3/2019

* cited by examiner

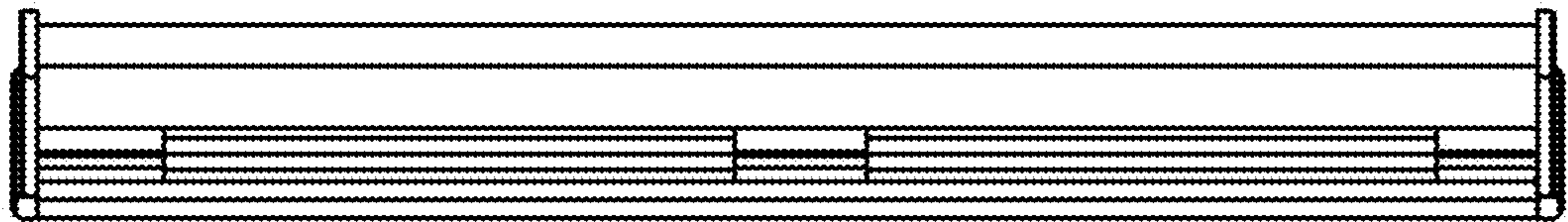
1.1



1.2



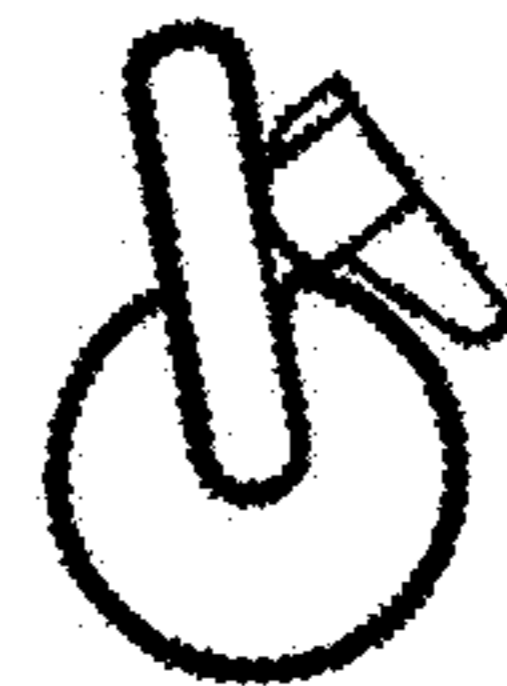
1.3



1.4



1.5



1.6



1.7

