



US00D932796S

(12) **United States Design Patent**
Sullins

(10) **Patent No.:** **US D932,796 S**

(45) **Date of Patent:** **** Oct. 12, 2021**

(54) **LAP TRAY**

(71) Applicant: **Patrick Hogan Sullins**, Arlington, TX
(US)

(72) Inventor: **Patrick Hogan Sullins**, Arlington, TX
(US)

(73) Assignee: **Creative Manufacturing, LLC**,
Arlington, TX (US)

(**) Term: **15 Years**

(21) Appl. No.: **29/733,898**

(22) Filed: **May 7, 2020**

Related U.S. Application Data

(63) Continuation-in-part of application No. 29/625,415,
filed on Nov. 9, 2017, now Pat. No. Des. 887,165.

(51) **LOC (13) Cl.** **06-06**

(52) **U.S. Cl.**
USPC **D6/406.3**

(58) **Field of Classification Search**
USPC D6/512, 685-686, 691, 704, 707.19,
D6/406.1, 406.2, 406.3, 406.4, 406.5,
D6/406.6; D7/545, 550.1, 552.2, 554.3
CPC A47G 23/06; A47G 23/08; A47G 23/0608;
A47G 23/0208; A47B 19/08; A47B
23/00; A47B 23/001; B25H 3/06
See application file for complete search history.

(56) **References Cited**

U.S. PATENT DOCUMENTS

D259,428 S * 6/1981 Macowski D19/92
D275,771 S * 10/1984 Evans D18/49
D302,703 S * 8/1989 Foran D19/92
D311,828 S * 11/1990 Clark D6/406.5
D327,504 S * 6/1992 Breen D19/86
D338,685 S * 8/1993 Dakich D19/92

D348,694 S * 7/1994 Evenson D19/86
D390,876 S * 2/1998 Cheri D19/75
5,733,025 A * 3/1998 Jesse, Sr. A47B 87/0253
312/223.3
5,862,933 A * 1/1999 Neville A47B 23/002
108/43
D422,389 S * 4/2000 Gay D32/74
D492,360 S * 6/2004 Hardy D19/92
D501,226 S * 1/2005 DeCarlo D19/86
D573,654 S * 7/2008 Hardy D19/92
D679,331 S * 4/2013 Stravitz D19/92
D780,848 S * 3/2017 Greenspon D19/92
D835,920 S * 12/2018 Sullins D6/406.3
D858,206 S * 9/2019 Chiang D7/554.3
D873,049 S * 1/2020 Sullins D6/406.3

(Continued)

Primary Examiner — Kelley A Donnelly

(74) *Attorney, Agent, or Firm* — Guy V. Manning

(57) **CLAIM**

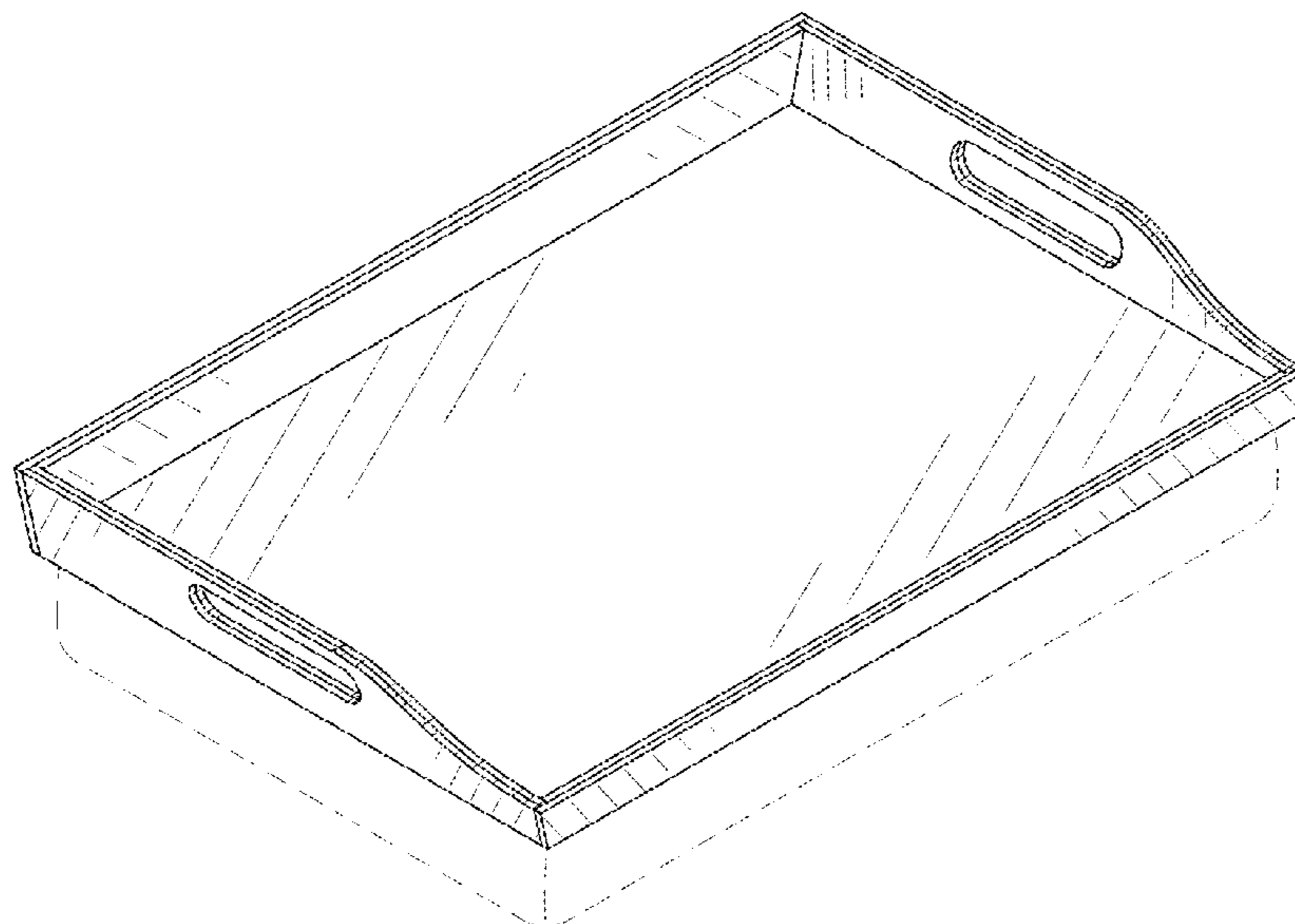
The ornamental design for a lap tray, as shown and described.

DESCRIPTION

FIG. 1 is an elevated, front left-quartering perspective view of the new design for a lap tray;
FIG. 2 is a left side elevational view of the new design shown in FIG. 1, a right side elevational view being the mirror image of FIG. 2;
FIG. 3 is a front elevational view of the new design shown in FIG. 1;
FIG. 4 is a rear elevational view of the new design shown in FIG. 1;
FIG. 5 is a top plan view of the new design shown in FIG. 1; and,
FIG. 6 is a bottom plan view of the new design shown in FIG. 1.

The broken lines included within the drawing figures depict environmental subject matter only and form no part of the claimed design.

1 Claim, 3 Drawing Sheets



(56)

References Cited

U.S. PATENT DOCUMENTS

D887,165 S * 6/2020 Sullins D6/406.3
2002/0145098 A1 * 10/2002 Thompson A47B 21/045
248/460

* cited by examiner

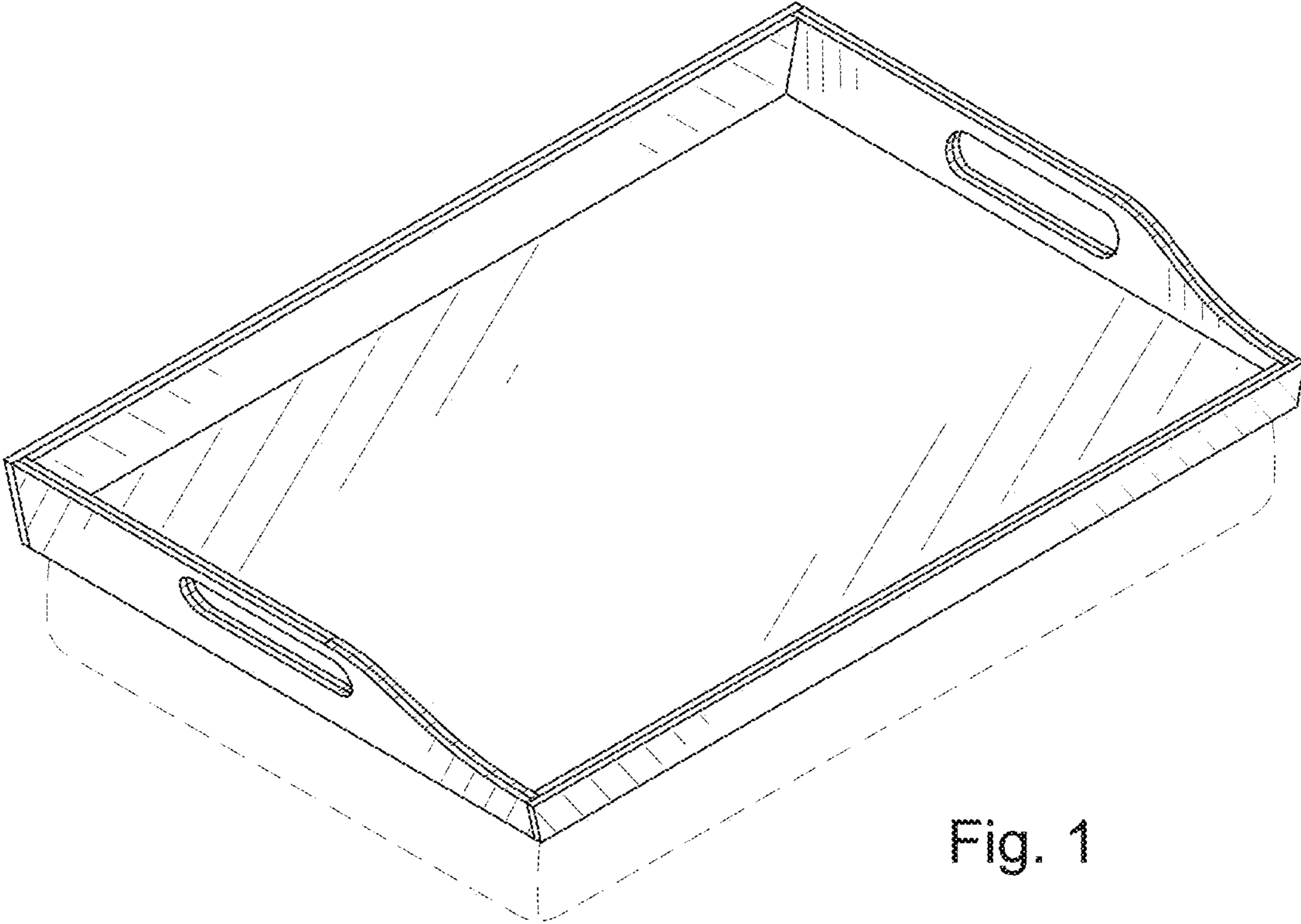


Fig. 1

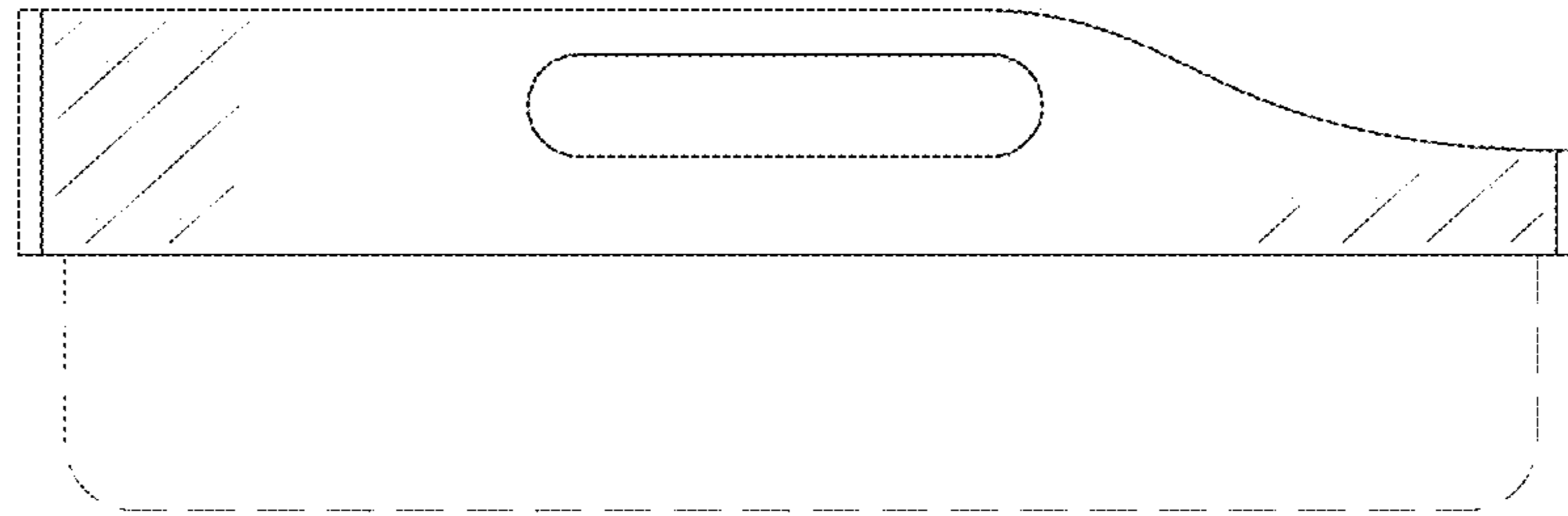


Fig. 2

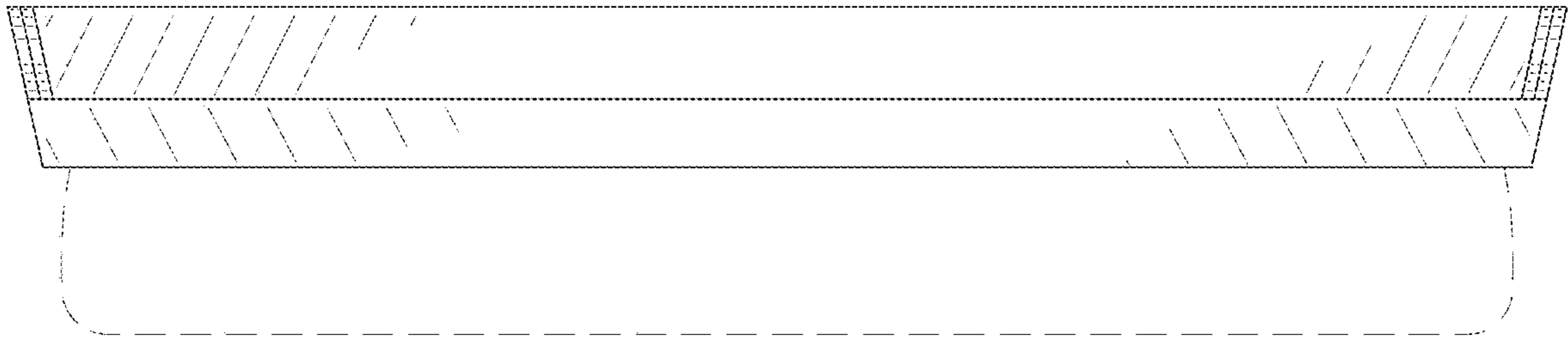


Fig. 3



Fig. 4

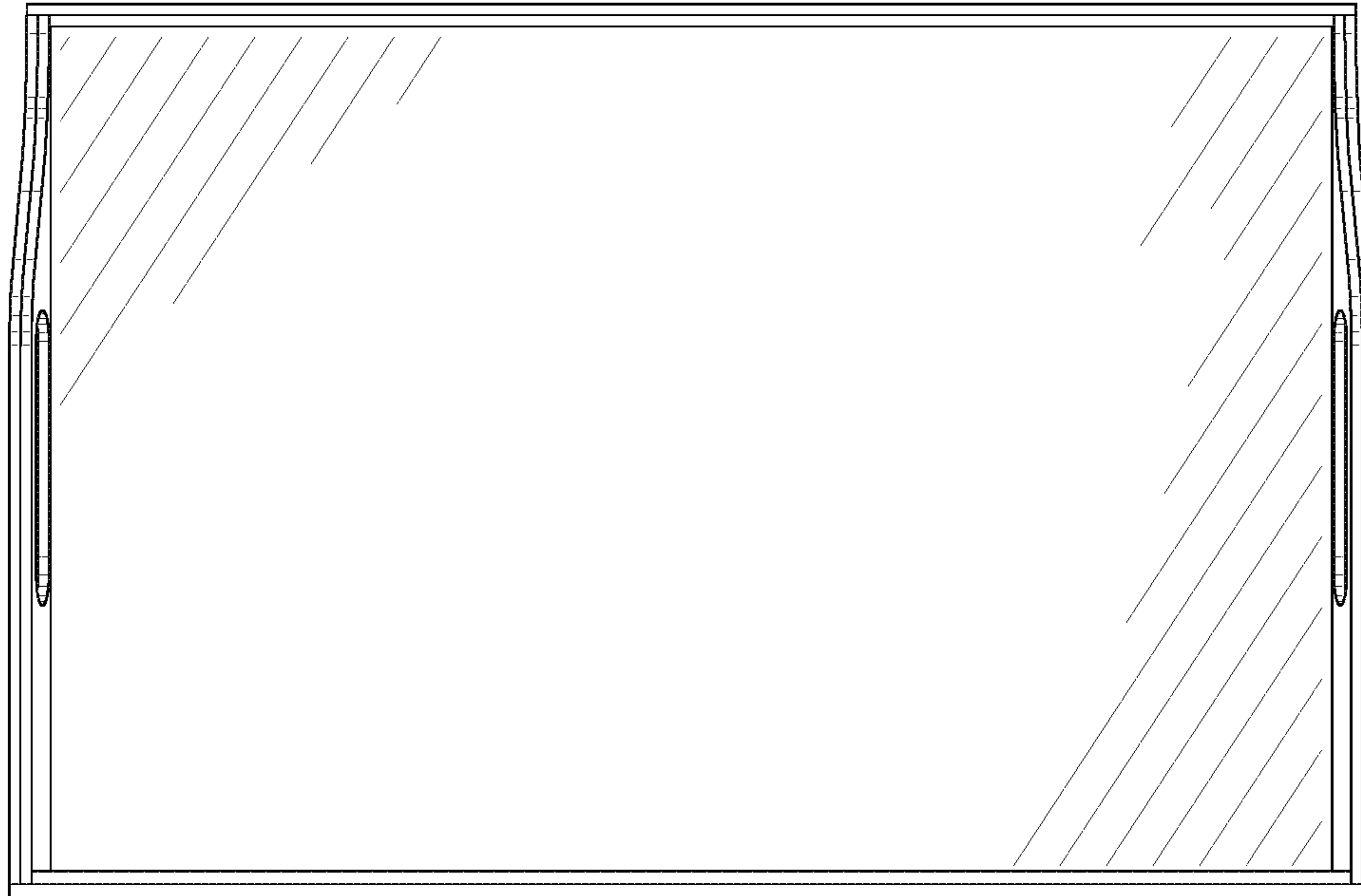


Fig. 5

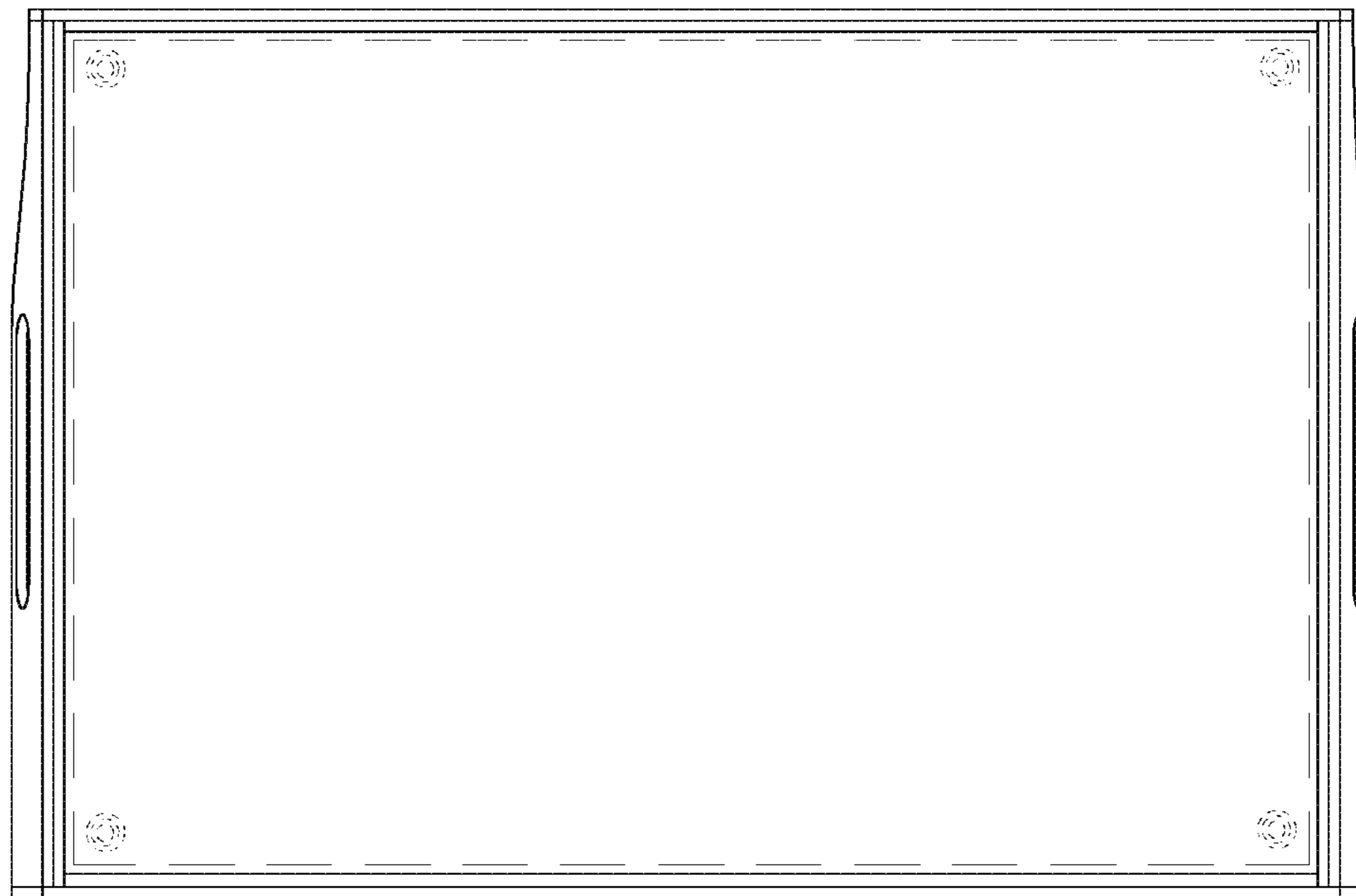


Fig. 6