



US00D932794S

(12) **United States Design Patent** (10) **Patent No.:** **US D932,794 S**
Smrstick (45) **Date of Patent:** **** Oct. 12, 2021**

(54) **CHAIR**
(71) Applicant: **Blu Dot Design & Manufacturing, Inc.**, Minneapolis, MN (US)
(72) Inventor: **Scott Smrstick**, Minneapolis, MN (US)
(73) Assignee: **Blue Dot Design & Manufacturing, Inc.**, Minneapolis, MN (US)
(**) Term: **15 Years**
(21) Appl. No.: **29/737,493**
(22) Filed: **Jun. 9, 2020**

(51) **LOC (13) Cl.** **06-01**
(52) **U.S. Cl.**
USPC **D6/375**
(58) **Field of Classification Search**
USPC D6/333, 334, 341, 348, 349, 350, 352, D6/353, 360, 364, 369, 370, 371, 373, D6/374, 375, 376, 377, 379, 380, 390, D6/677, 692, 700, 708, 708.16, 716; D16/237; D21/412, 419, 521
CPC A47C 1/124; A47C 3/34; A47C 4/028; A47C 4/02; A47C 5/12; A47C 5/125; A47C 7/506; A47C 9/007; A47C 13/005; A47C 13/023; A47C 31/113; A47C 31/02; A47C 5/06; A47C 5/08; B60R 2/0284; B60R 2/062; B60R 22/001; B60R 22/24; B60R 22/28; B60R 22/58; B60R 22/64; B60R 22/68; B60R 22/80; B60R 22/99; B60R 22/245; B60R 22/643; B60R 22/646; B60R 22/665; B60R 22/686; B60R 22/688; B60R 22/803; B60R 22/986; B60R 22/914; B60R 22/995
See application file for complete search history.

(56) **References Cited**
U.S. PATENT DOCUMENTS

D179,051 S * 10/1956 Ashkouti D6/379
D278,104 S * 3/1985 Dunbar D6/379

D433,836 S * 11/2000 Barile, Sr. D6/374
D651,426 S * 1/2012 Chiaramonte D6/375
D669,701 S * 10/2012 Starck D6/375
D787,849 S * 5/2017 Lin D6/376
D843,750 S * 3/2019 Ciabatti D6/375
D889,156 S * 7/2020 Valdiserri D6/376
D889,157 S * 7/2020 Valdiserri D6/376

OTHER PUBLICATIONS

Blu Dot Catalog No. 16, Designed in Minneapolis, Minnesota, Copyright 2015, Applicant believes reference was published and available more than one year prior to the filing date of the instant application, 44 pages.

(Continued)

Primary Examiner — Kevin K Rudzinski
Assistant Examiner — Paul D Bohannon
(74) *Attorney, Agent, or Firm* — Fredrikson & Byron, P.A.

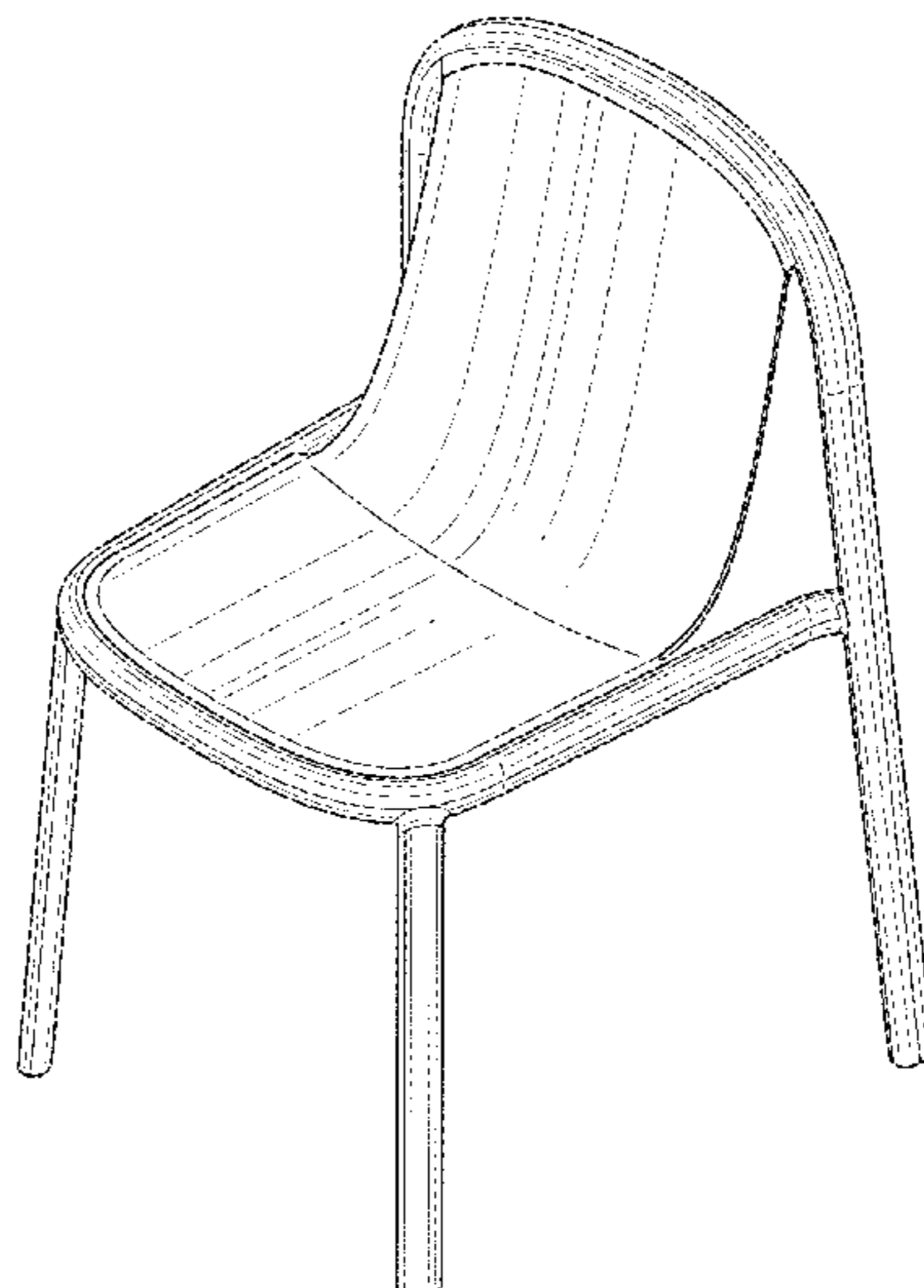
(57) **CLAIM**

Applicant claims the ornamental design for a chair, as shown and described.

DESCRIPTION

FIG. 1 is a front upper perspective view of a chair of Applicant's design;
FIG. 2 is a front elevational view thereof;
FIG. 3 is a rear elevational view thereof;
FIG. 4 is a first side elevational view thereof;
FIG. 5 is a second side elevational view thereof, the second side elevational view being opposite the first side elevational view;
FIG. 6 is a top plan view thereof; and,
FIG. 7 is a bottom plan view thereof.
Where included, broken lines showing environment or structure are for illustrative purposes only and form no part of the claimed design.

1 Claim, 7 Drawing Sheets



(56)

References Cited

OTHER PUBLICATIONS

Blu Dot Catalog No. 17, Designed in Minneapolis, Minnesota, Copyright 2015, Applicant believes reference was published and available more than one year prior to the filing date of the instant application, 52 pages.

Blu Dot Catalog No. 18, Designed in Minneapolis, Minnesota, Copyright 2015, Applicant believes reference was published and available more than one year prior to the filing date of the instant application, 51 pages.

Blu Dot Catalog No. 19, Designed in Minneapolis, Minnesota, Copyright 2016, Applicant believes reference was published and available more than one year prior to the filing date of the instant application, 54 pages.

Blu Dot Catalog No. 21, Cat 17F-Book A, Designed in Minneapolis, Minnesota, Applicant believes reference was published and available more than one year prior to the filing date of the instant application, 51 pgs.

Blu Dot Catalog No. 21, Cat 17F-Book B, Designed in Minneapolis, Minnesota, Applicant believes reference was published and available more than one year prior to the filing date of the instant application, 51 pgs.

Blu Dot Catalog No. 22, Cat 18S-Book B, Designed in Minneapolis, Minnesota, Applicant believes reference was published and available more than one year prior to the filing date of the instant application, 33 pgs.

Blu Dot Catalog No. 22, Cat18Sm_RGB, Designed in Minneapolis, Minnesota, Applicant believes reference was published and available more than one year prior to the filing date of the instant application, 33 pgs.

* cited by examiner

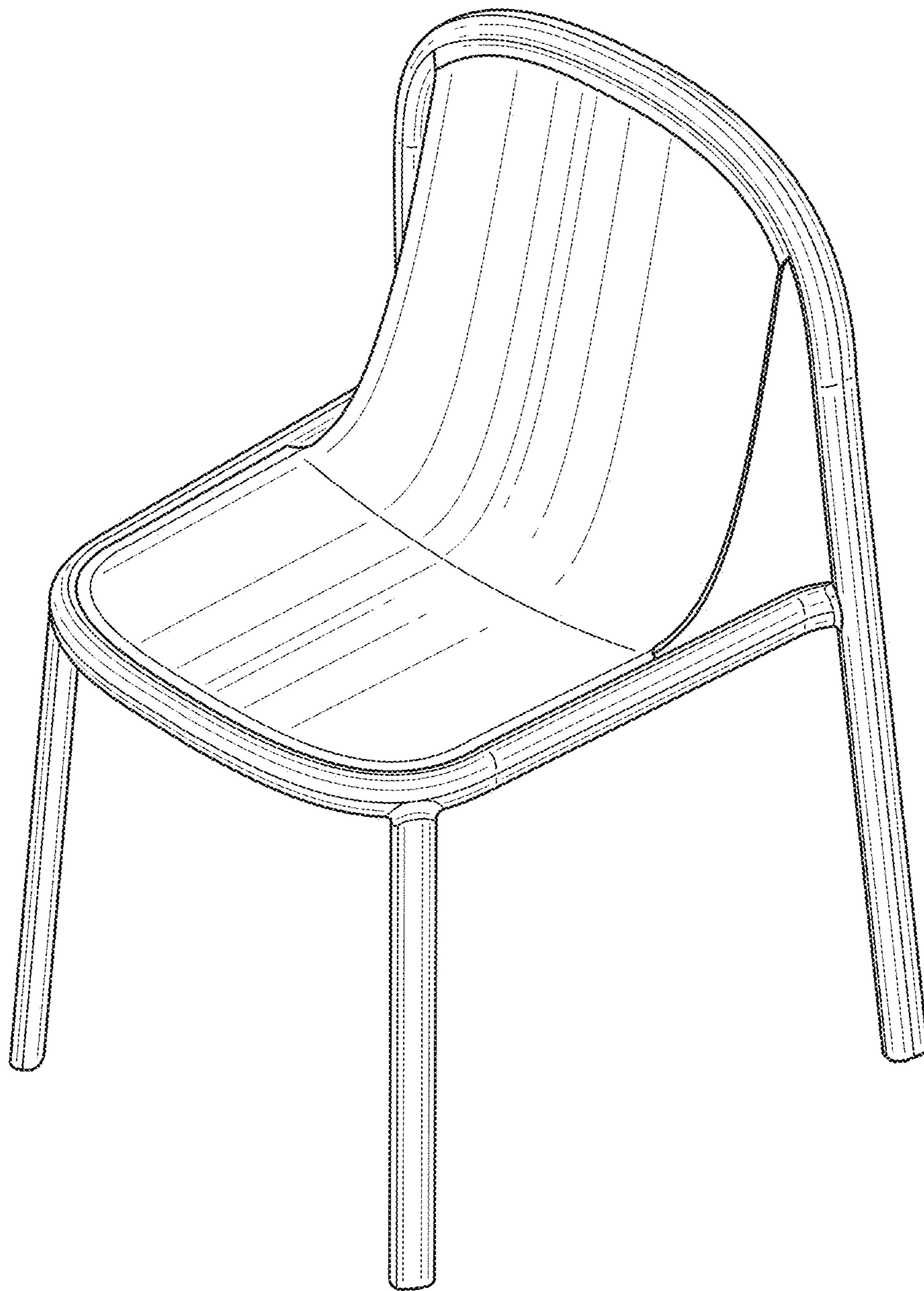


FIG. 1

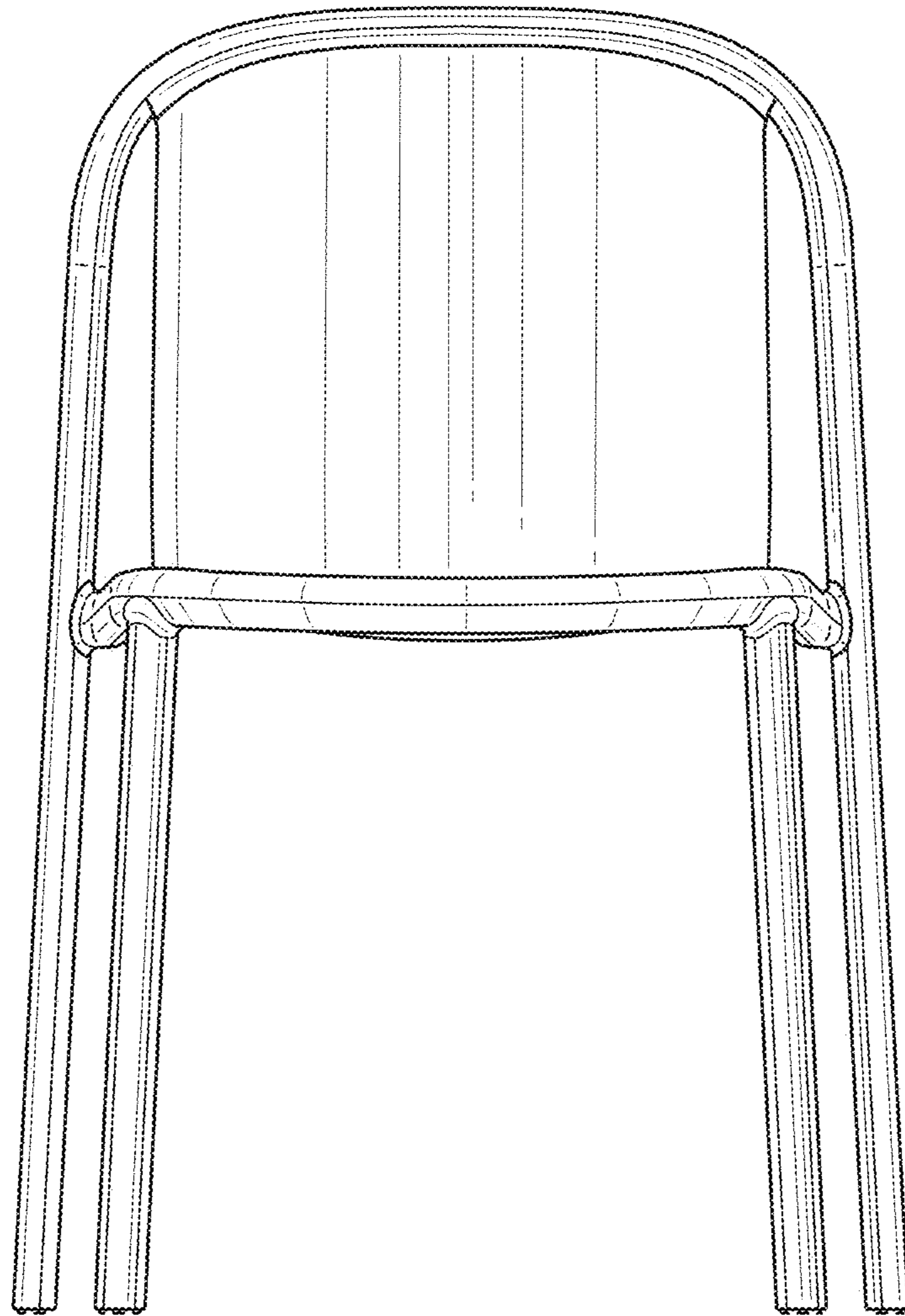


FIG. 2

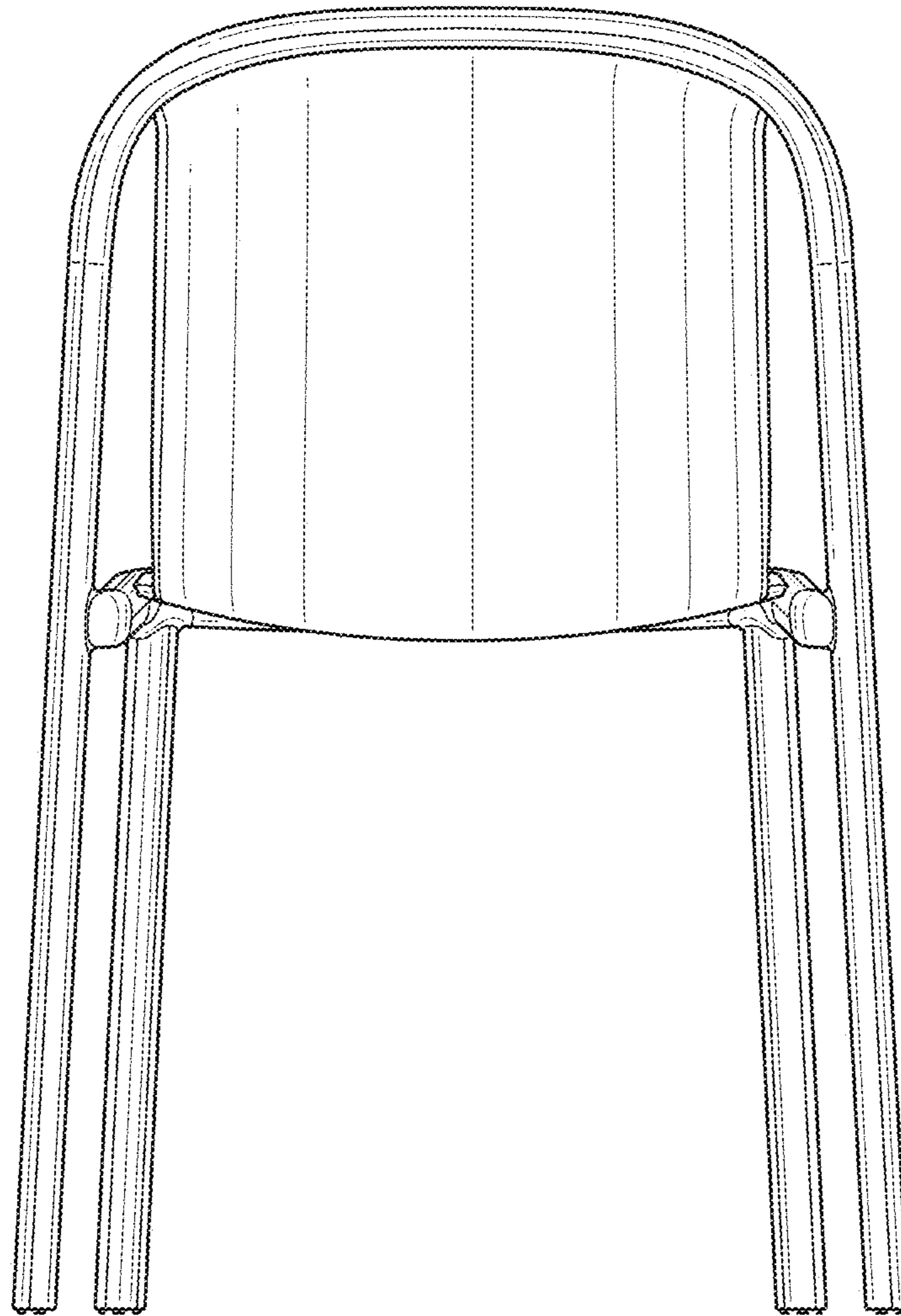


FIG. 3

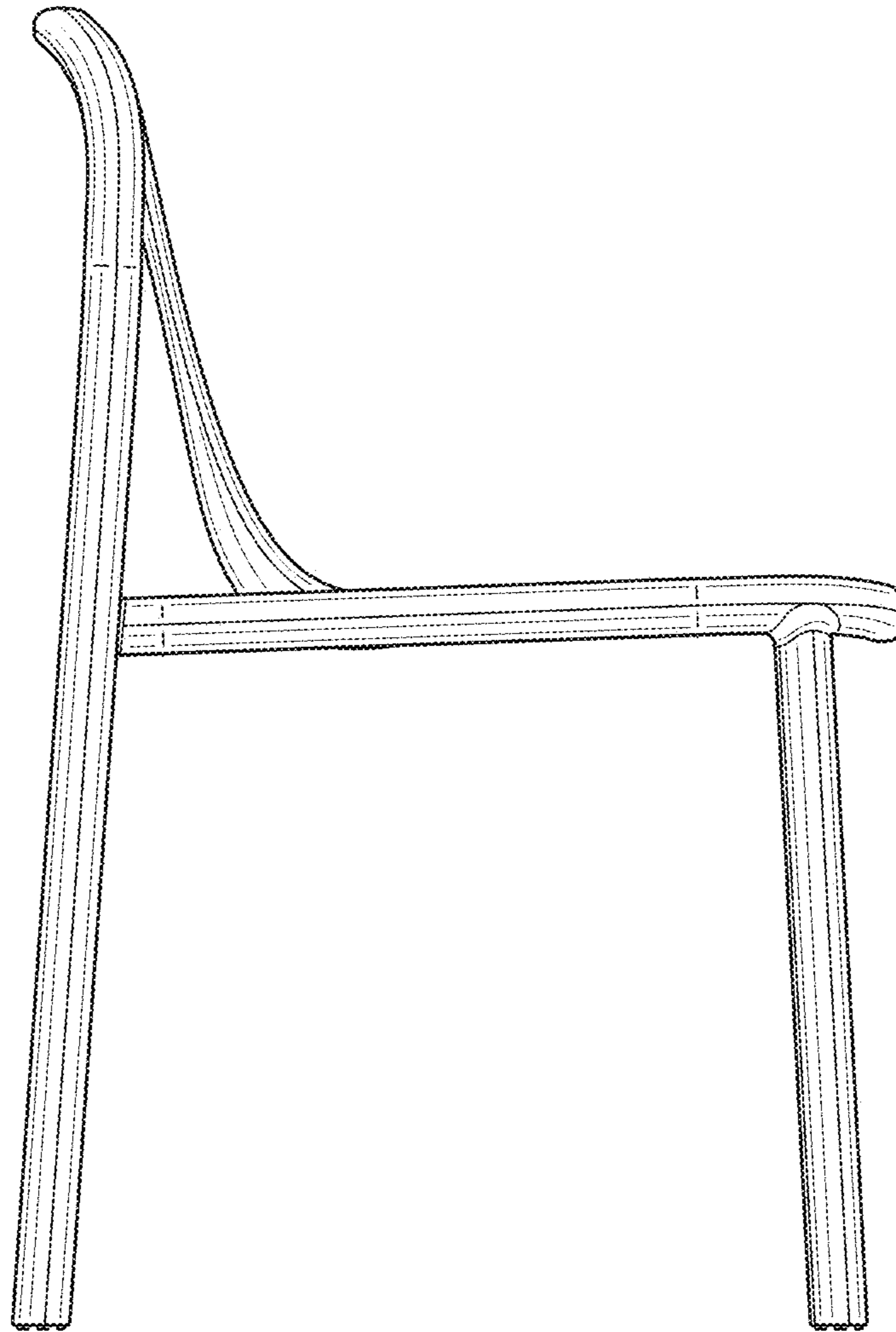


FIG. 4

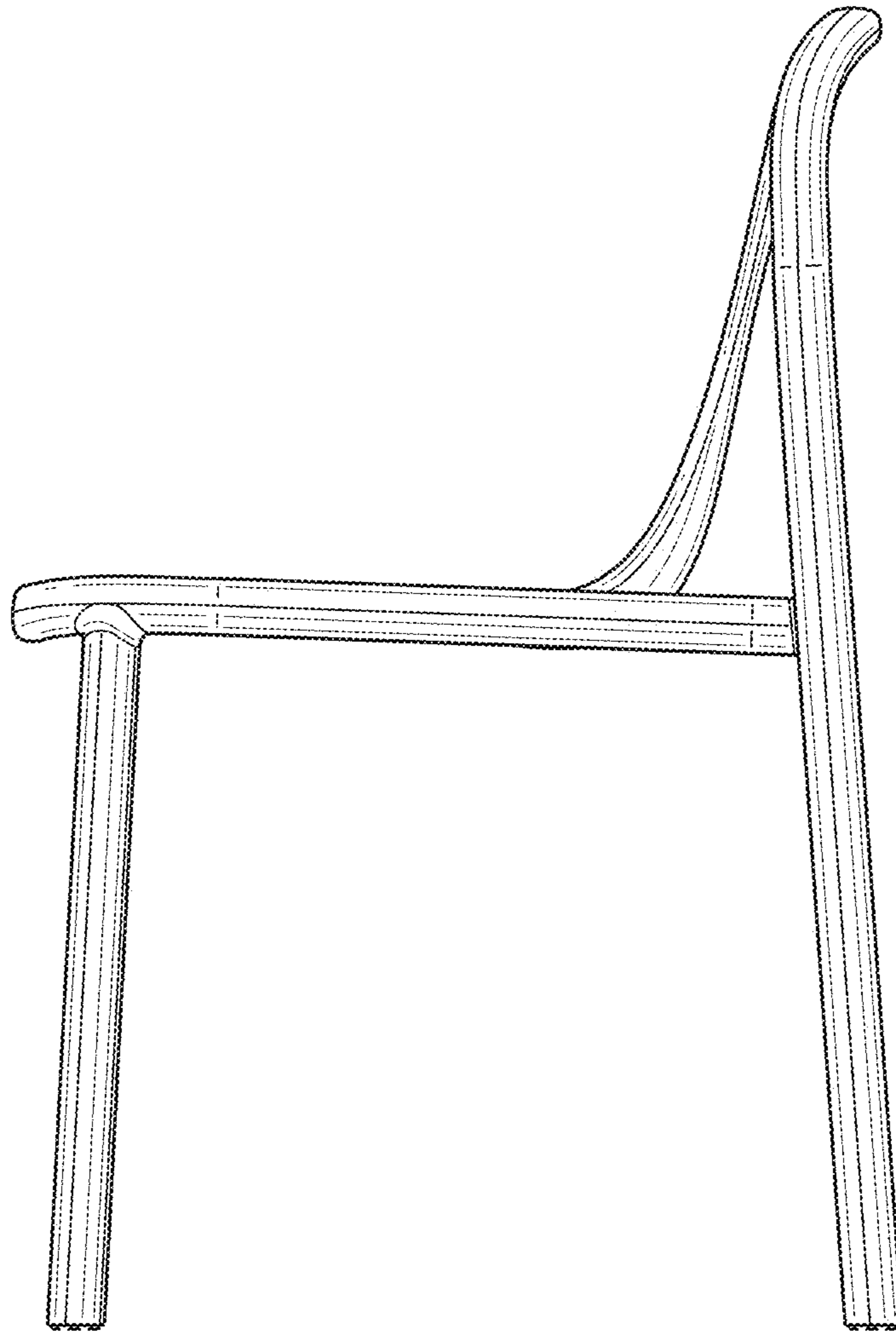


FIG. 5

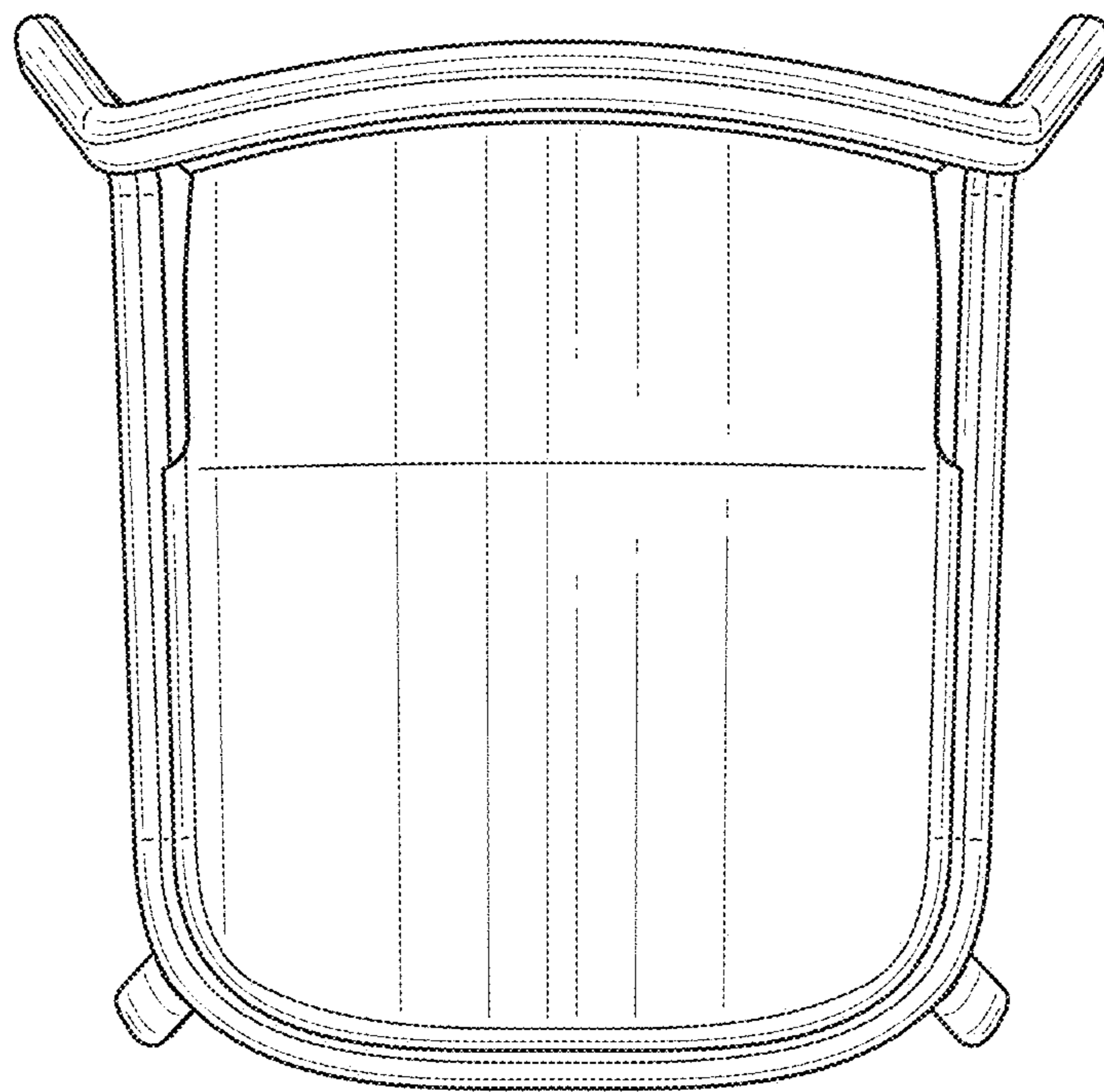


FIG. 6

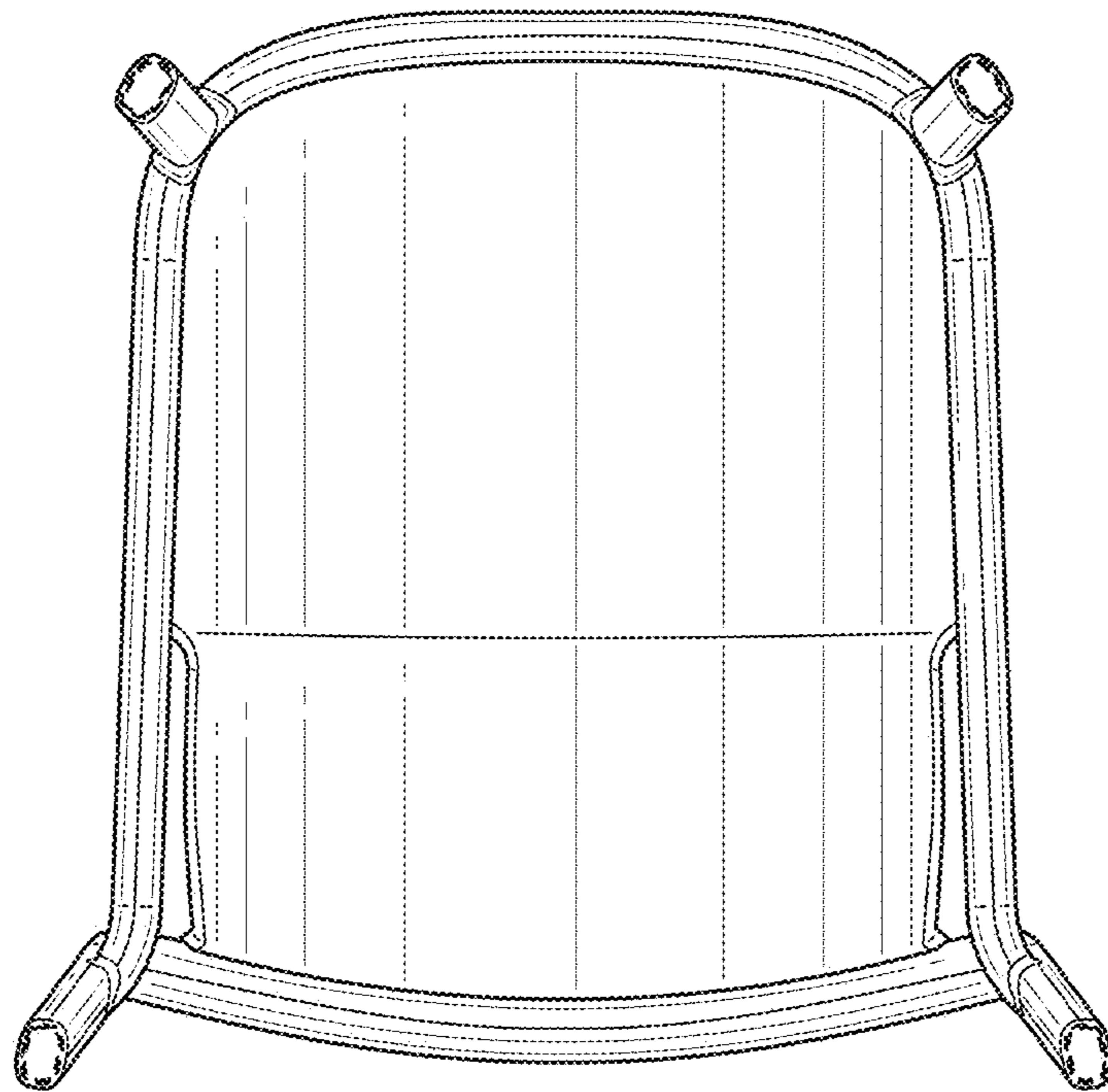


FIG. 7