



US00D932789S

(12) **United States Design Patent**
Lu

(10) **Patent No.:** **US D932,789 S**
(45) **Date of Patent:** **** Oct. 12, 2021**

- (54) **CHAIR**
- (71) Applicant: **FOSHAN FEILING TRADING CO., LTD.**, Guangdong (CN)
- (72) Inventor: **Lei Lu**, Guangdong (CN)
- (73) Assignee: **FOSHAN FEILING TRADING CO., LTD.**, Foshan (CN)
- (**) Term: **15 Years**
- (21) Appl. No.: **29/740,090**
- (22) Filed: **Jul. 1, 2020**
- (51) **LOC (13) Cl.** **06-01**
- (52) **U.S. Cl.**
USPC **D6/366**
- (58) **Field of Classification Search**
USPC D6/334, 364-367, 374-376, 379, 380,
D6/716, 716.1, 716.7
CPC A47C 1/03255; A47C 3/18; A47C 3/20;
A47C 3/26; A47C 5/04; A47C 5/06;
A47C 5/08; A47C 7/18; A47C 7/24;
A47C 7/36; A47C 7/40; A47C 7/46;
A47C 7/54
See application file for complete search history.

D911,056 S *	2/2021	Altherr	D6/366
D911,729 S *	3/2021	Kubryk	D6/366
D920,697 S *	6/2021	Li	D6/366
D920,698 S *	6/2021	Li	D6/366
D924,592 S *	7/2021	Li	D6/366

OTHER PUBLICATIONS

Amazon.com. https://www.amazon.com/YAHEETECH-Wingback-Leather-Biscuit-Armchair/dp/B08XT1PD7T/ref=sr_1_20?dchild=1&keywords=tufted+accent+chair&qid=1628704425&sr=8-20. "YAHEETECH 2pcs Living Room Chairs". Mar. 2021 (Year: 2021).*

Amazon.com. https://www.amazon.com/LSSBOUGHT-Contemporary-Stylish-Button-Tufted-Upholstered/dp/B077SXMQCD/ref=sr_1_97?dchild=1&keywords=tufted+accent+chair&qid=1628704606&sr=8-97. "LSSBOUGHT . . . Upholstered Accent Chair". Nov. 2017 (Year: 2017).*

* cited by examiner

Primary Examiner — R. Johnson

(57) **CLAIM**

The ornamental design for a chair, as shown and described.

DESCRIPTION

FIG. 1 is a front and left side perspective view of a chair showing my new design;
 FIG. 2 is a bottom, rear and left side perspective view thereof;
 FIG. 3 is a front elevational view thereof;
 FIG. 4 is a rear elevational view thereof;
 FIG. 5 is a left side view thereof;
 FIG. 6 is a right side view thereof;
 FIG. 7 is a top plan view thereof; and,
 FIG. 8 is a bottom plan view thereof.
 The broken lines in the drawings illustrate portions of the chair which form no part of the claimed design.

1 Claim, 8 Drawing Sheets

(56) **References Cited**
U.S. PATENT DOCUMENTS

D254,278 S *	2/1980	Wilson	D6/366
D262,244 S *	12/1981	Wilson	D6/379
D698,191 S *	1/2014	Kubryk	D6/716
D766,640 S *	9/2016	Kubryk	D6/716
D905,996 S *	12/2020	Li	D6/374
D906,709 S *	1/2021	Li	D6/366
D907,384 S *	1/2021	Li	D6/366
D907,385 S *	1/2021	Li	D6/366

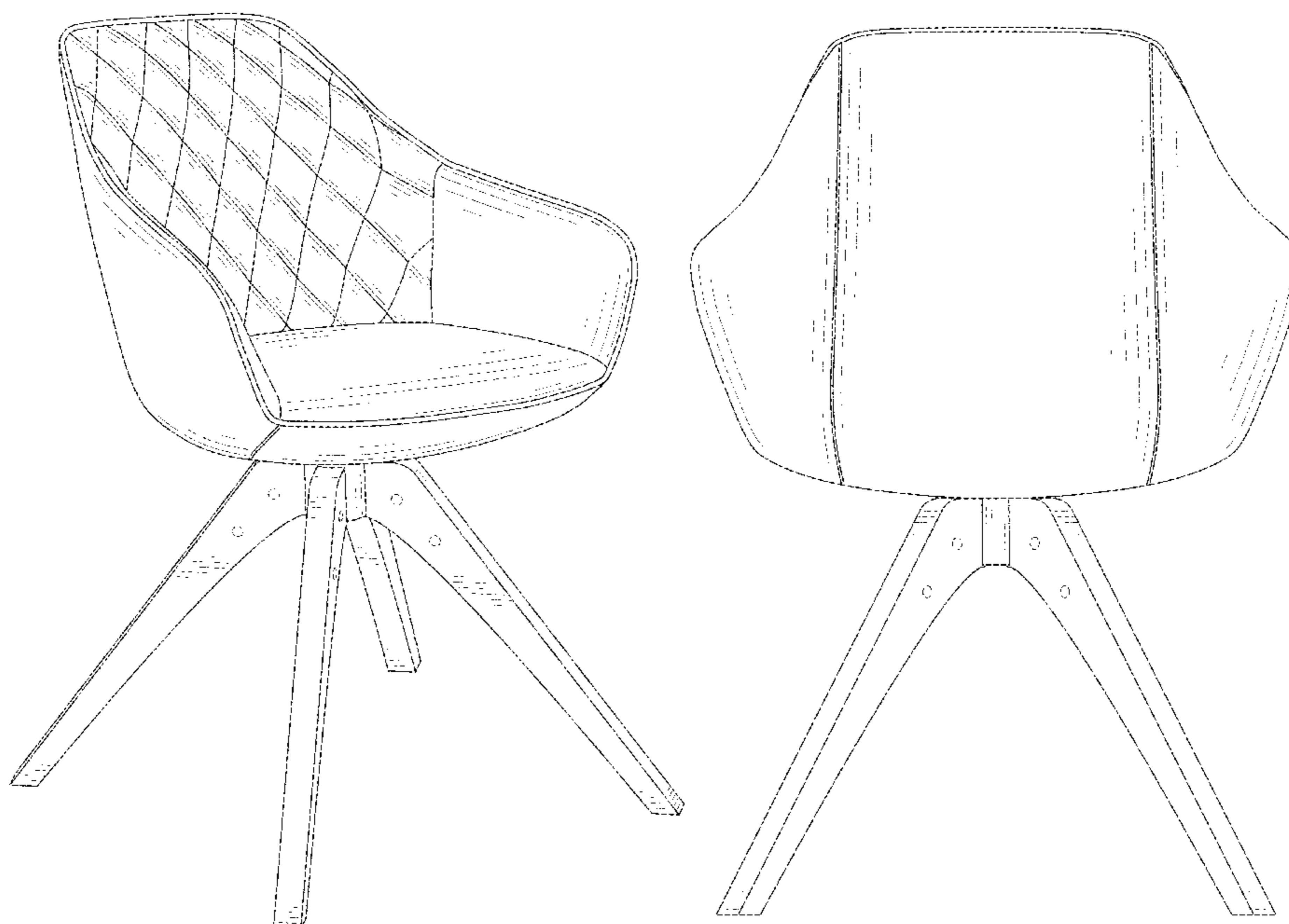




FIG. 1

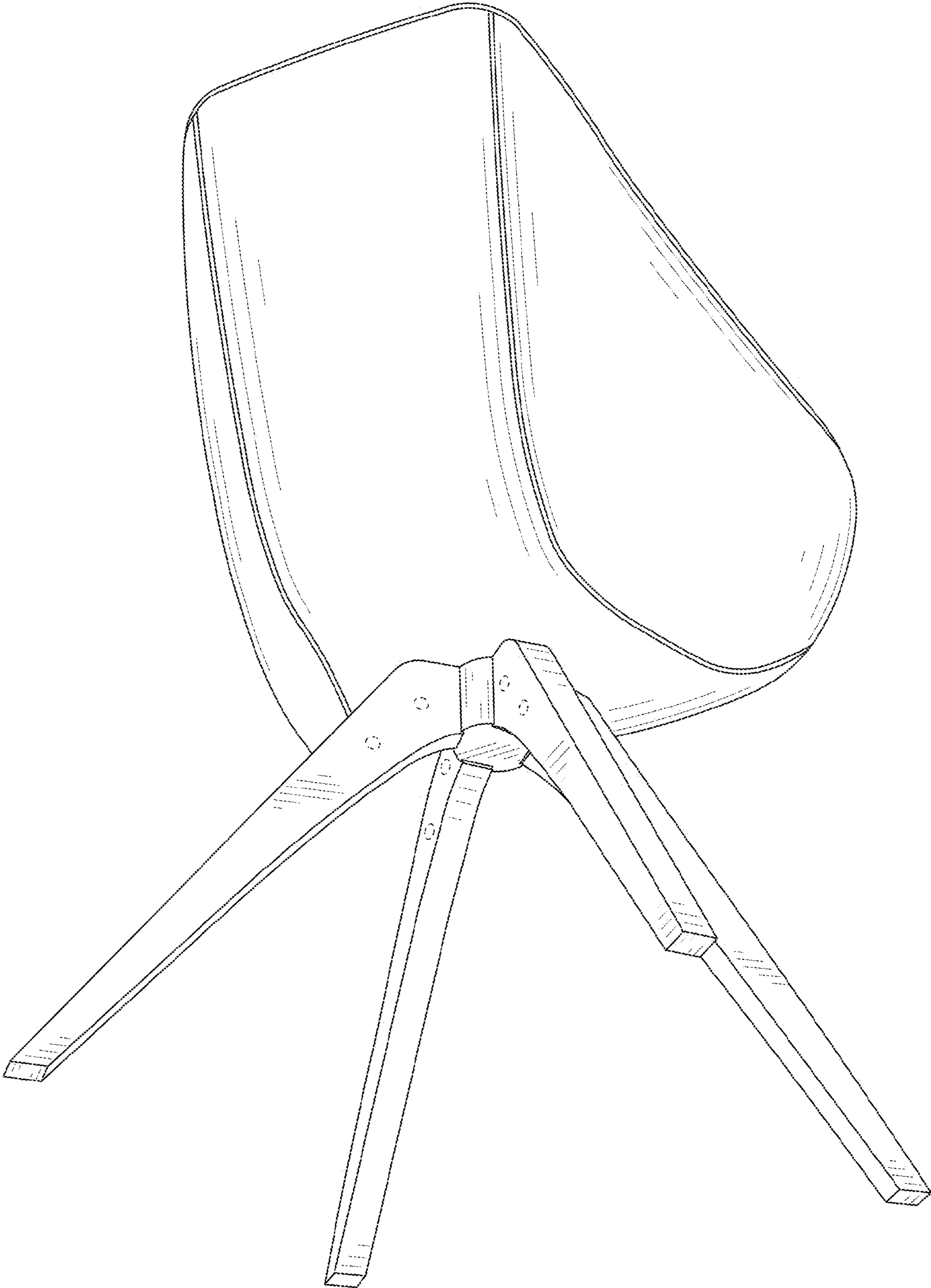


FIG. 2

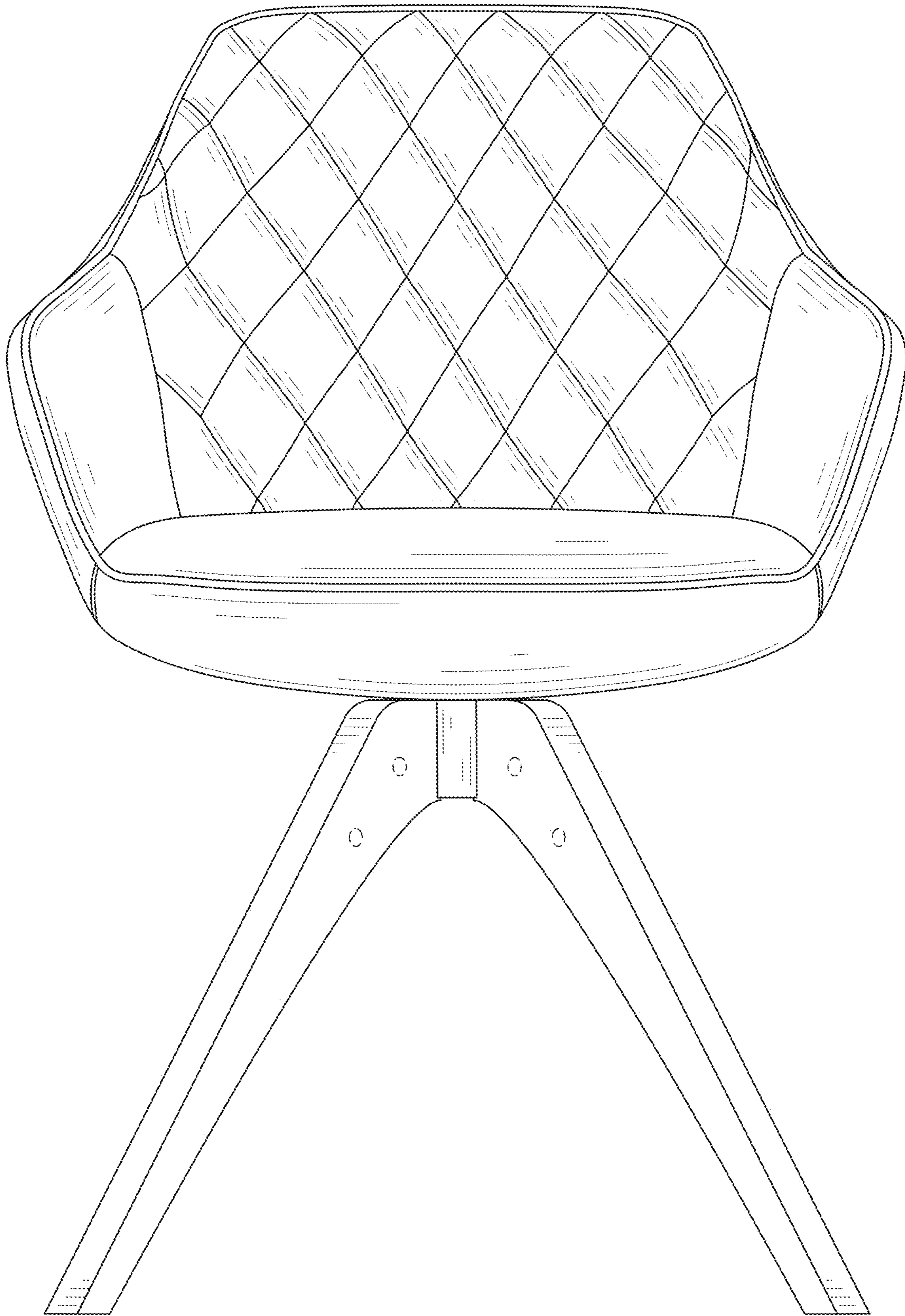


FIG. 3

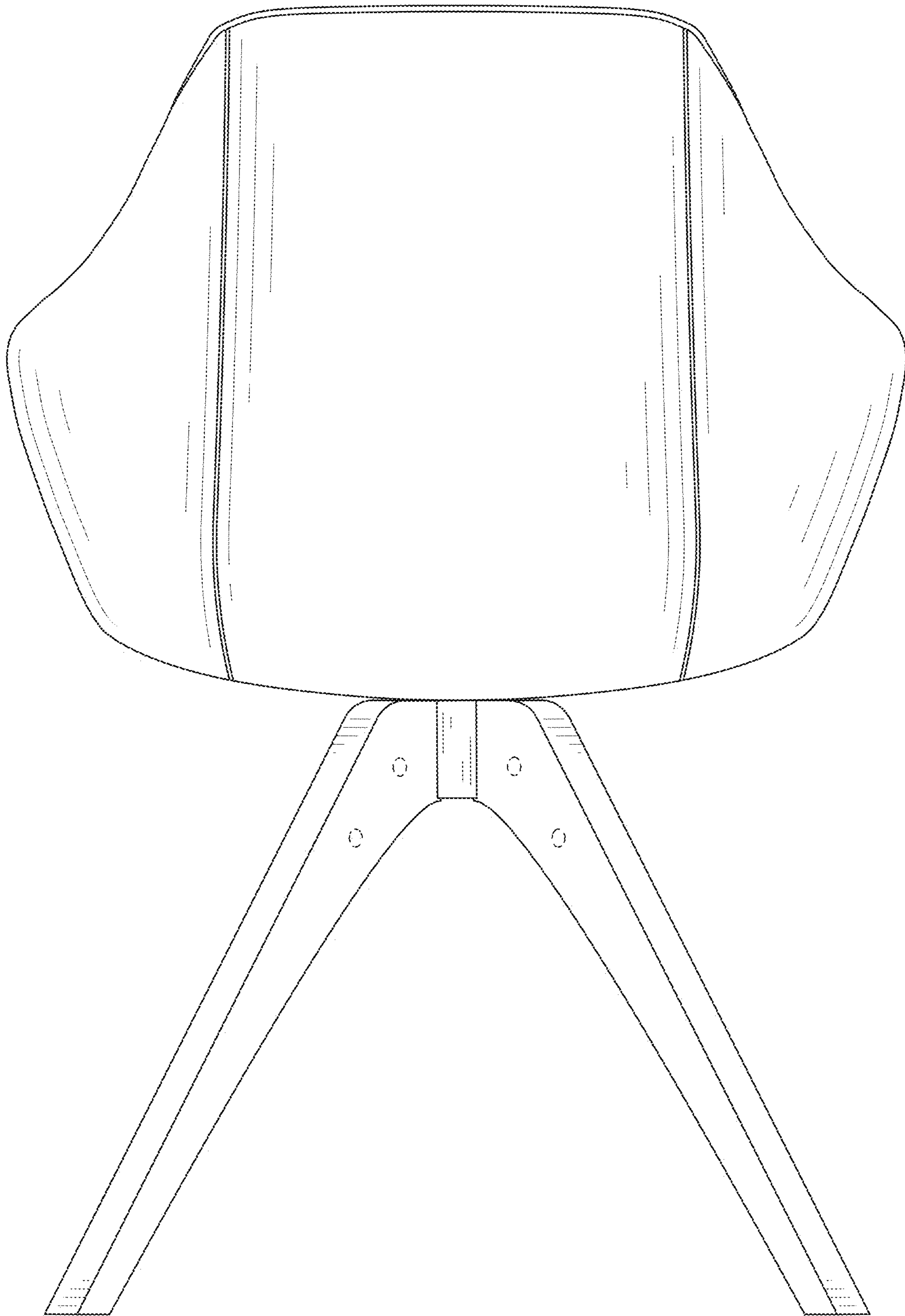


FIG. 4

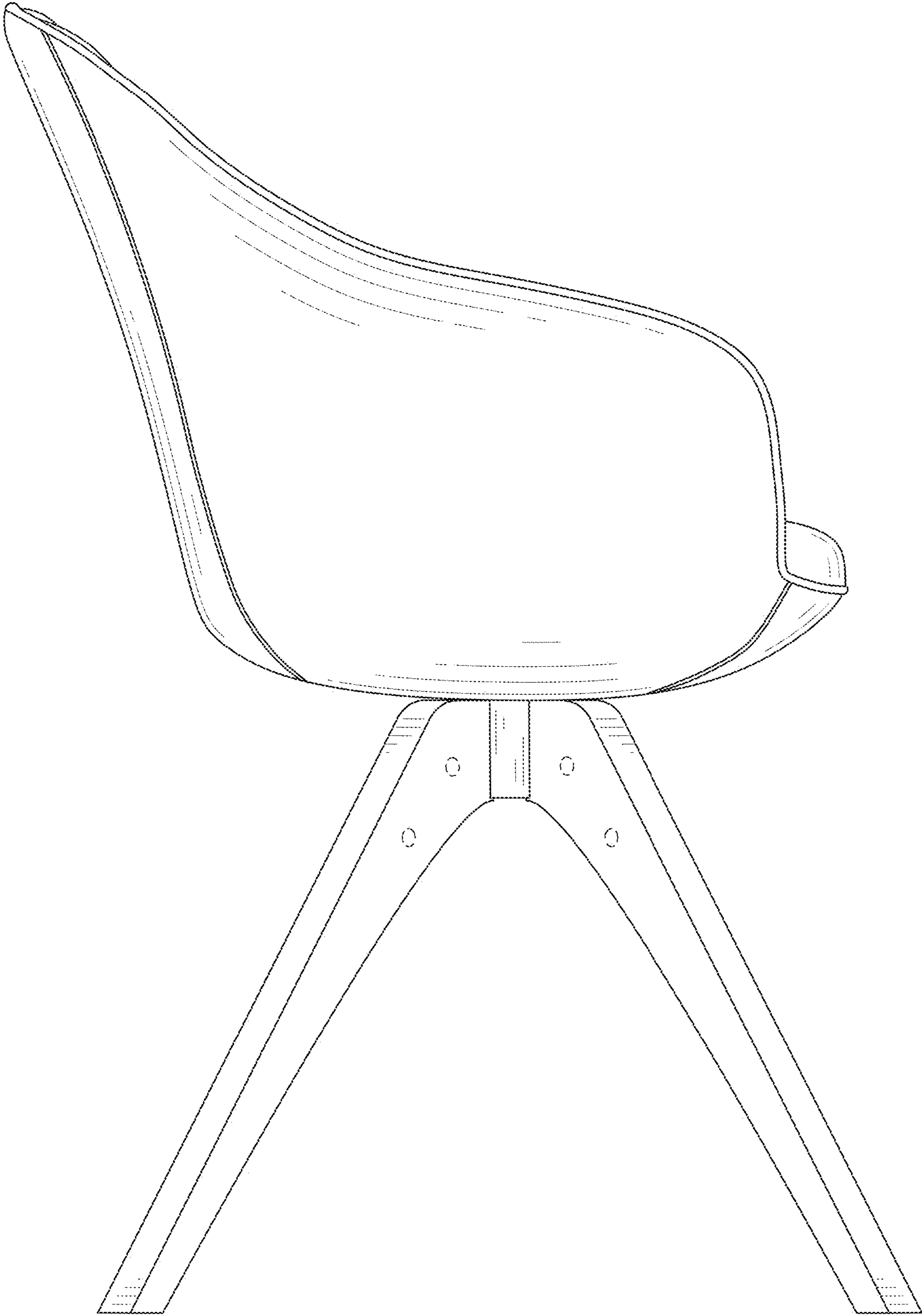


FIG. 5

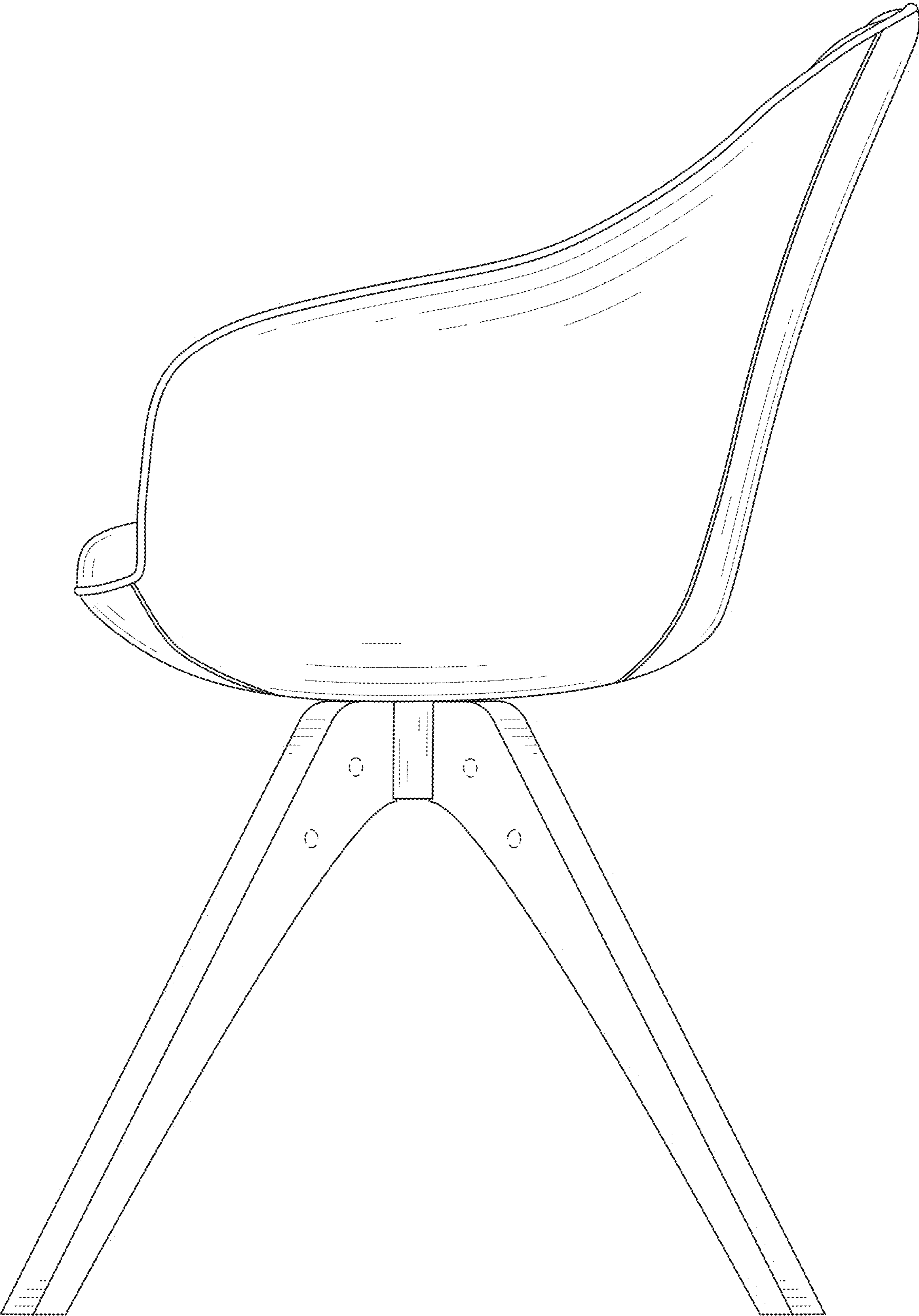


FIG. 6

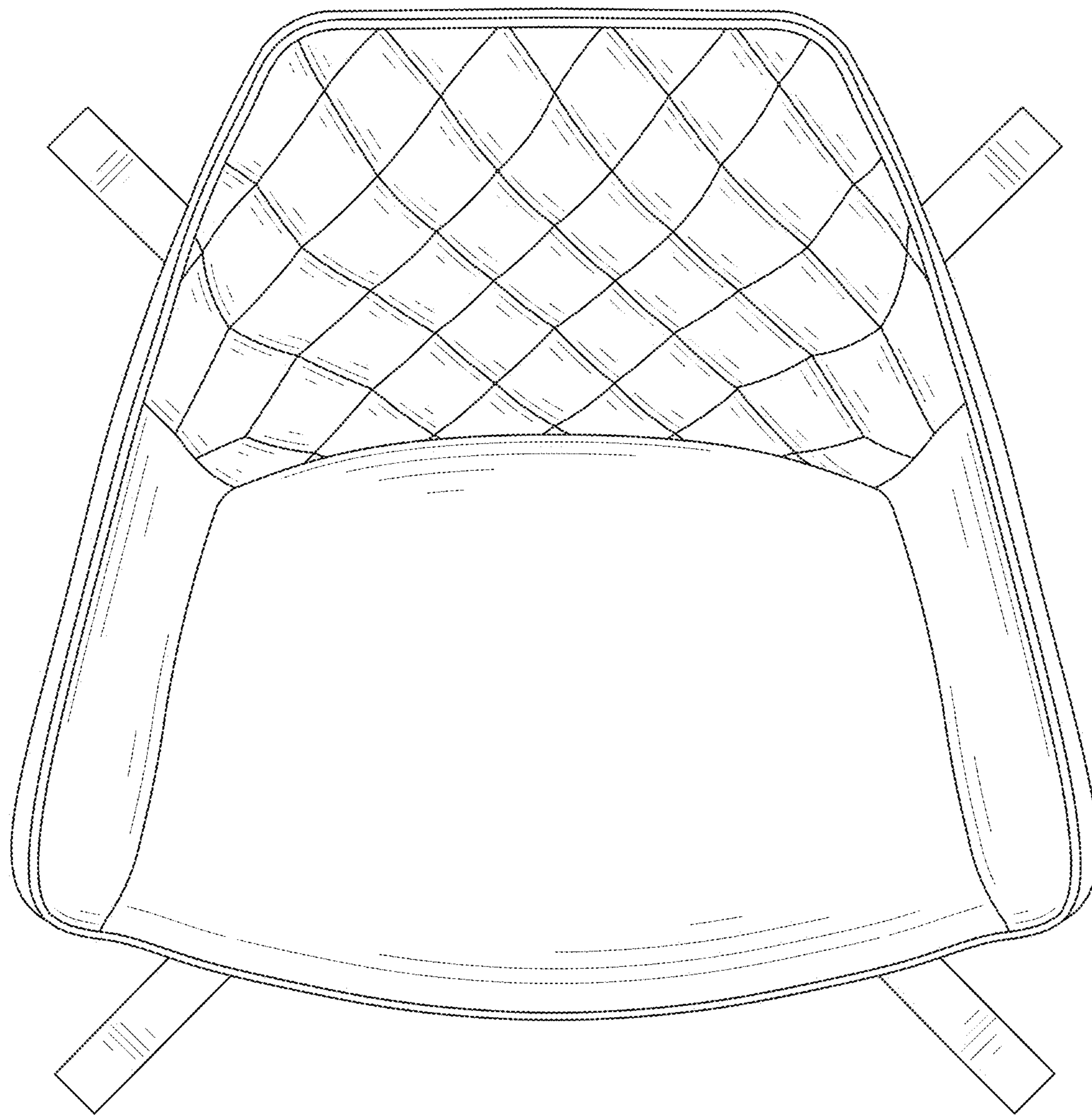


FIG. 7

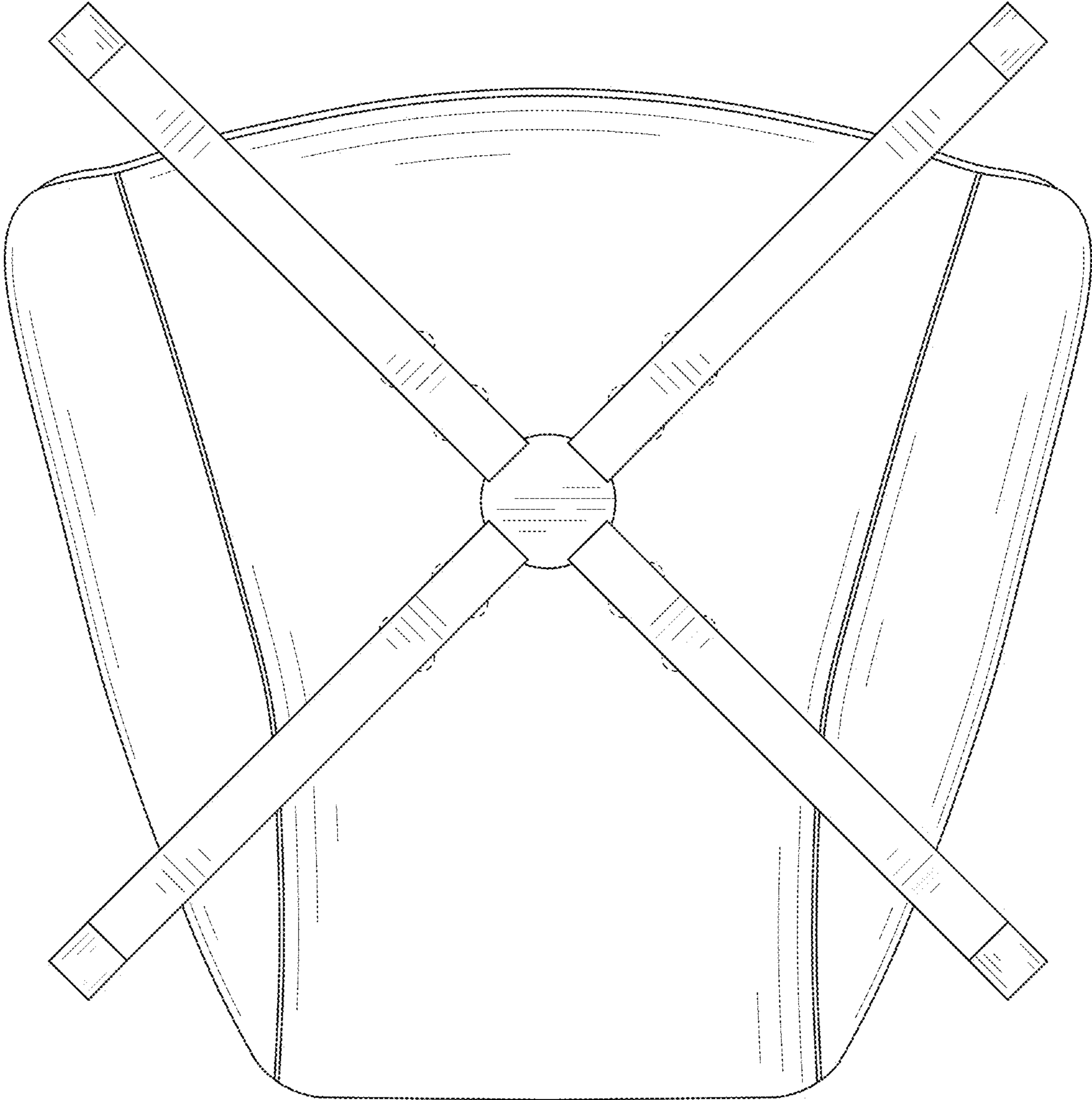


FIG. 8