



US00D932784S

(12) **United States Design Patent**
Zhang

(10) **Patent No.:** **US D932,784 S**

(45) **Date of Patent:** **** Oct. 12, 2021**

(54) **ERGONOMIC METAL FOOTREST WITH
ADJUSTABLE RUBBER FEET/NYLON FEET**

(71) Applicant: **Shanghai Can Do E-commerce Co.,
Ltd, Shanghai (CN)**

(72) Inventor: **Liwei Zhang, Shanghai (CN)**

(**) Term: **15 Years**

(21) Appl. No.: **29/765,448**

(22) Filed: **Jan. 8, 2021**

(51) **LOC (13) Cl.** **06-01**

(52) **U.S. Cl.**
USPC **D6/349**

(58) **Field of Classification Search**
USPC D6/334-338, 340-343, 349-353, 355,
D6/364-365, 691-691.9, 692-692.6,
D6/716-716.1; D25/65
CPC A47B 7/00-02; A47C 11/00; A47C 12/00;
A47C 13/00; A47C 16/00; A47C
16/02-04; A47C 9/00-105; A47K 17/02;
A47K 17/028

See application file for complete search history.

(56) **References Cited**

U.S. PATENT DOCUMENTS

D186,488 S * 10/1959 Madi D24/212
4,441,758 A * 4/1984 Fleischer A47C 16/025
248/371
4,549,767 A * 10/1985 Hampshire A47C 16/025
297/423.46
D298,266 S * 10/1988 Reyneke D21/685
4,951,334 A * 8/1990 Maier A61G 5/1043
297/452.21
5,201,568 A * 4/1993 Christensen, Jr. ... A47C 16/025
248/394
D371,462 S * 7/1996 Grossmith D6/349
D379,271 S * 5/1997 Starck D6/349

(Continued)

OTHER PUBLICATIONS

Ergonomic Foot Rest Standing Heavy Duty Metal Platform with 2
Sets Adjustable Legs . . . [online] First available Oct. 12, 2020.
Retrieved from URL: https://www.amazon.com/Ergonomic-Footrest-Platform-Surface-Office/dp/B08L3CRDK5/ref=sr_1_10?c=ts&dchild=1&keywords=Office+Footrests&qid=1617911734&refinements=p_n_mater.*

(Continued)

Primary Examiner — Vy N Koenig

(74) *Attorney, Agent, or Firm* — Rumit Ranjit Kanakia

(57) **CLAIM**

I claim the ornamental design for an ergonomic metal
footrest with adjustable rubber feet/nylon feet, as shown and
described.

DESCRIPTION

FIG. 1 is a Perspective view of an ergonomic metal footrest
with adjustable rubber feet/nylon feet showing my new
design;

FIG. 2 is a Front view thereof;

FIG. 3 is a Back view thereof;

FIG. 4 is a Right-side view thereof;

FIG. 5 is a Left-side view thereof;

FIG. 6 is a Top view thereof;

FIG. 7 is a Bottom view thereof;

FIG. 8 is a perspective view of the ergonomic metal footrest
with adjustable rubber feet/nylon feet of FIGS. 1-7, shown
in an another configuration with an alternate set of feet
supports;

FIG. 9 is a front view thereof;

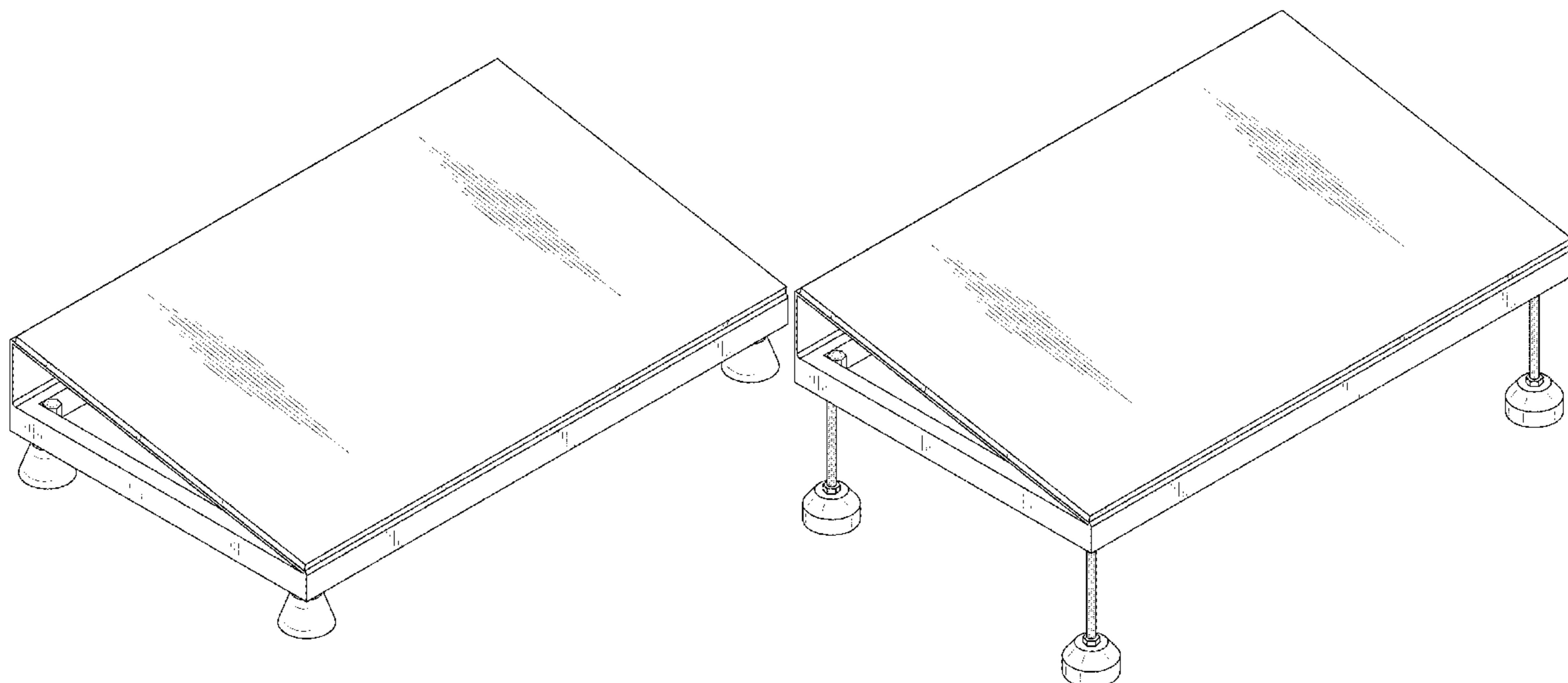
FIG. 10 is a left-side view thereof;

FIG. 11 is a top view thereof; and,

FIG. 12 is a bottom view thereof.

The broken lines in the drawings depict portions of the
ergonomic metal footrest with adjustable rubber feet/nylon
feet that form no part of the claimed design. Further, FIGS.
8-12 the same footrest as FIGS. 1-7, but shown with an
alternate set of supports.

1 Claim, 12 Drawing Sheets



(56)

References Cited

U.S. PATENT DOCUMENTS

6,089,667 A * 7/2000 Hobbs A47C 16/04
108/150
6,799,804 B1 * 10/2004 Fournier A47C 16/02
297/217.3
D599,453 S 9/2009 Israel et al.
D681,751 S * 5/2013 Meyer-Hayoz D21/686
8,505,138 B1 * 8/2013 Minichiello A47C 16/00
5/632
D693,135 S 11/2013 Fitzpatrick
D699,245 S * 2/2014 Lee D14/447
D738,126 S 9/2015 Edwards
D766,604 S 9/2016 Edwards
D770,642 S * 11/2016 Johnson D25/62
D787,845 S 5/2017 Edwards
D894,656 S 9/2020 Tomsky
D895,310 S * 9/2020 Nguyen D6/349
D902,612 S * 11/2020 Hu D6/349
2006/0108852 A1 * 5/2006 Boucher A47C 16/02
297/423.41

OTHER PUBLICATIONS

All Steel Foot Rest. [online] Retrieved Apr. 8, 2021 from URL:
https://www.schooloutfitters.com/catalog/product_info/pfam_id/PFAM41964/products_id/PRO53378.*

* cited by examiner

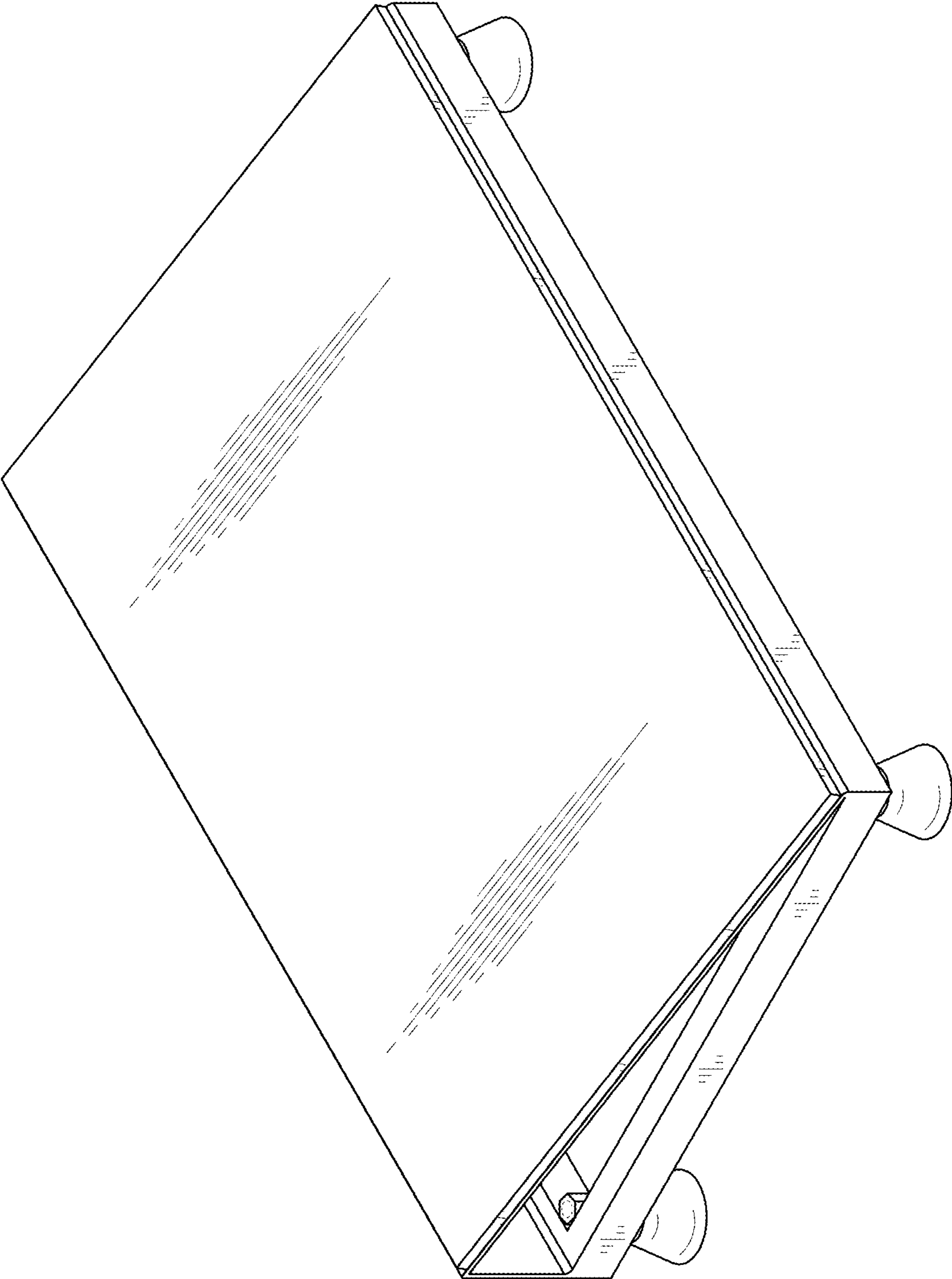


FIG. 1

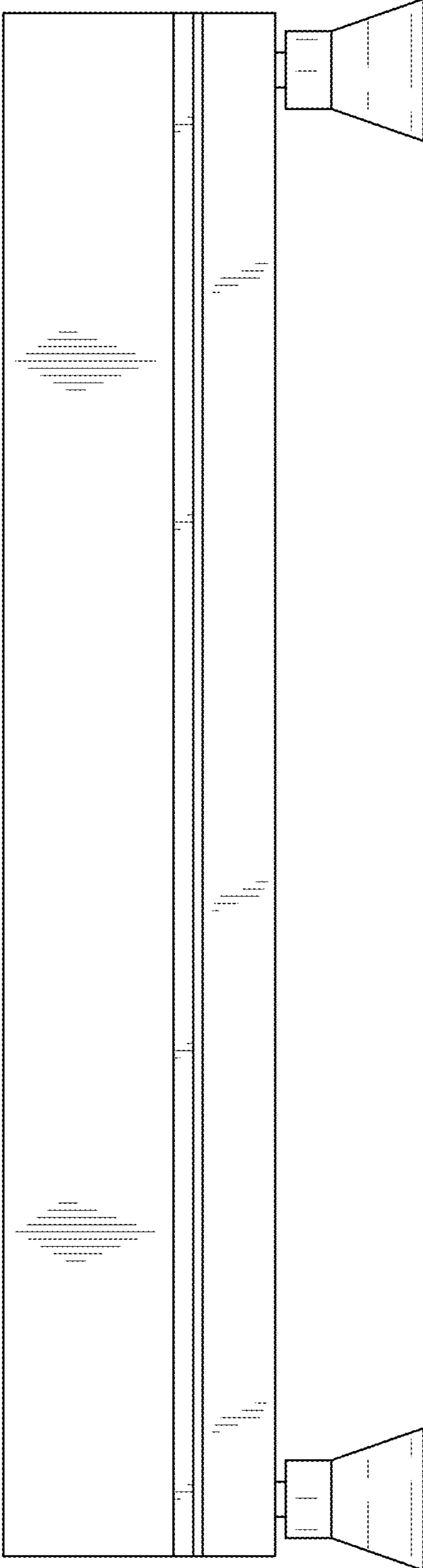


FIG. 2

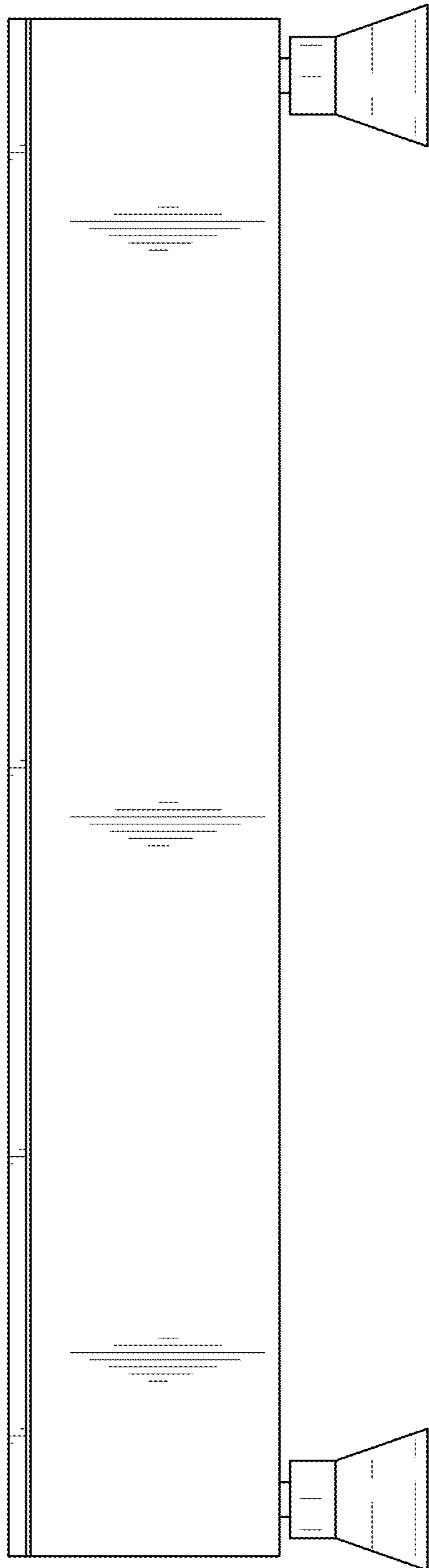


FIG. 3

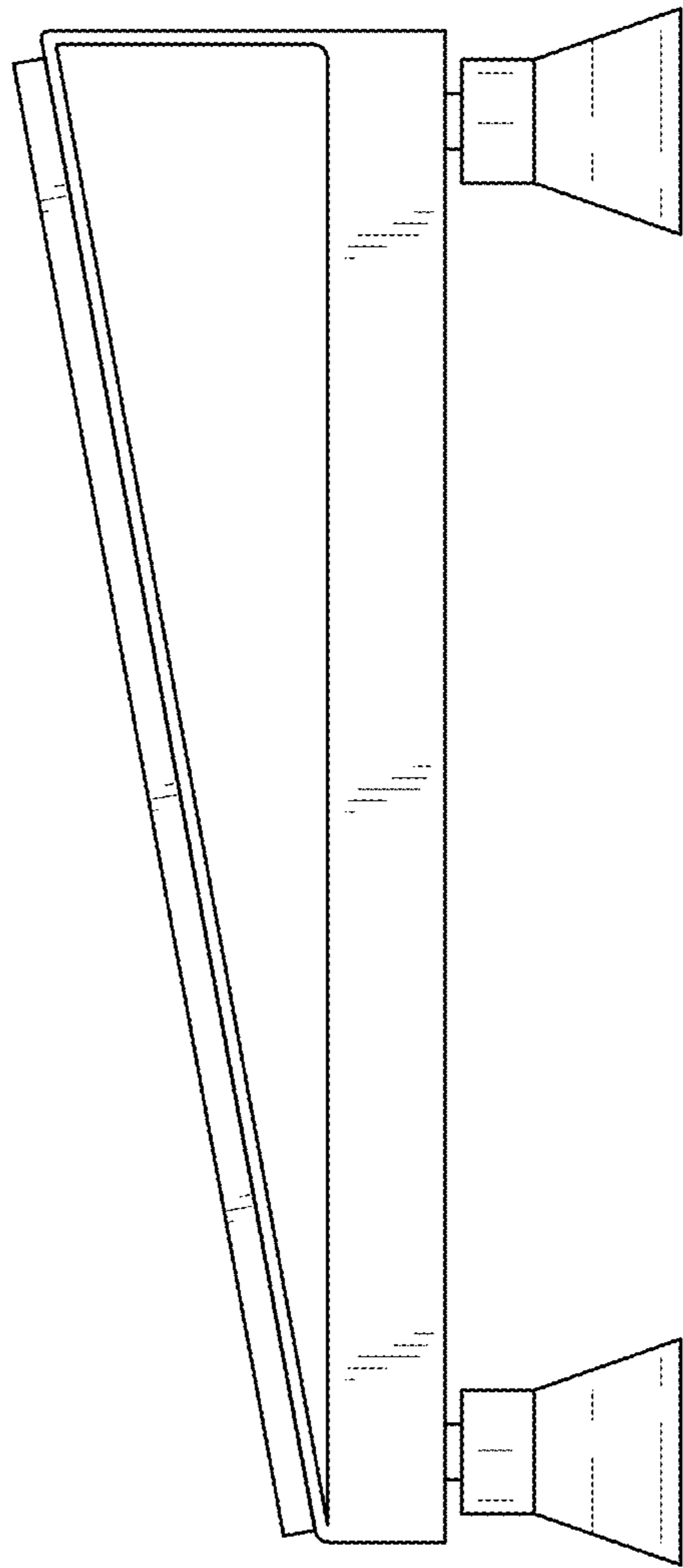


FIG. 4

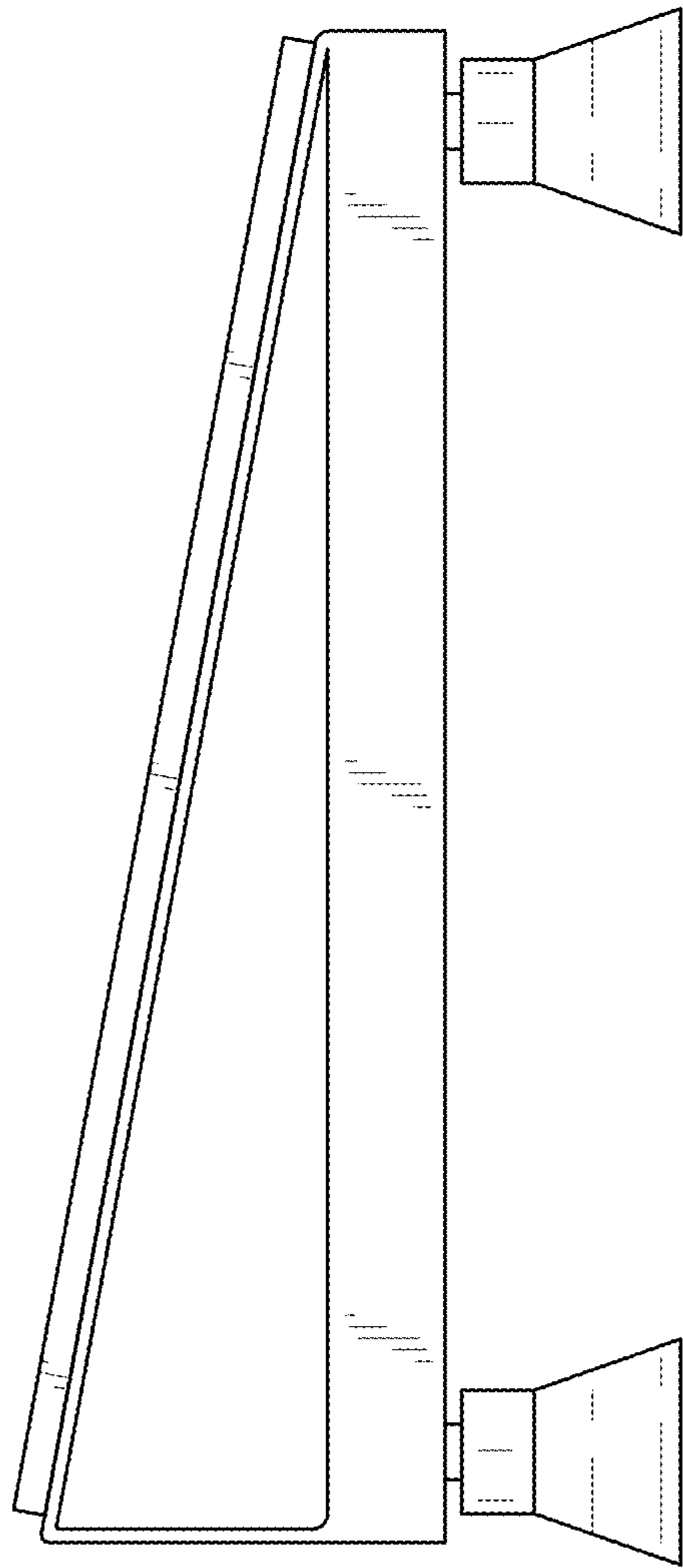


FIG. 5

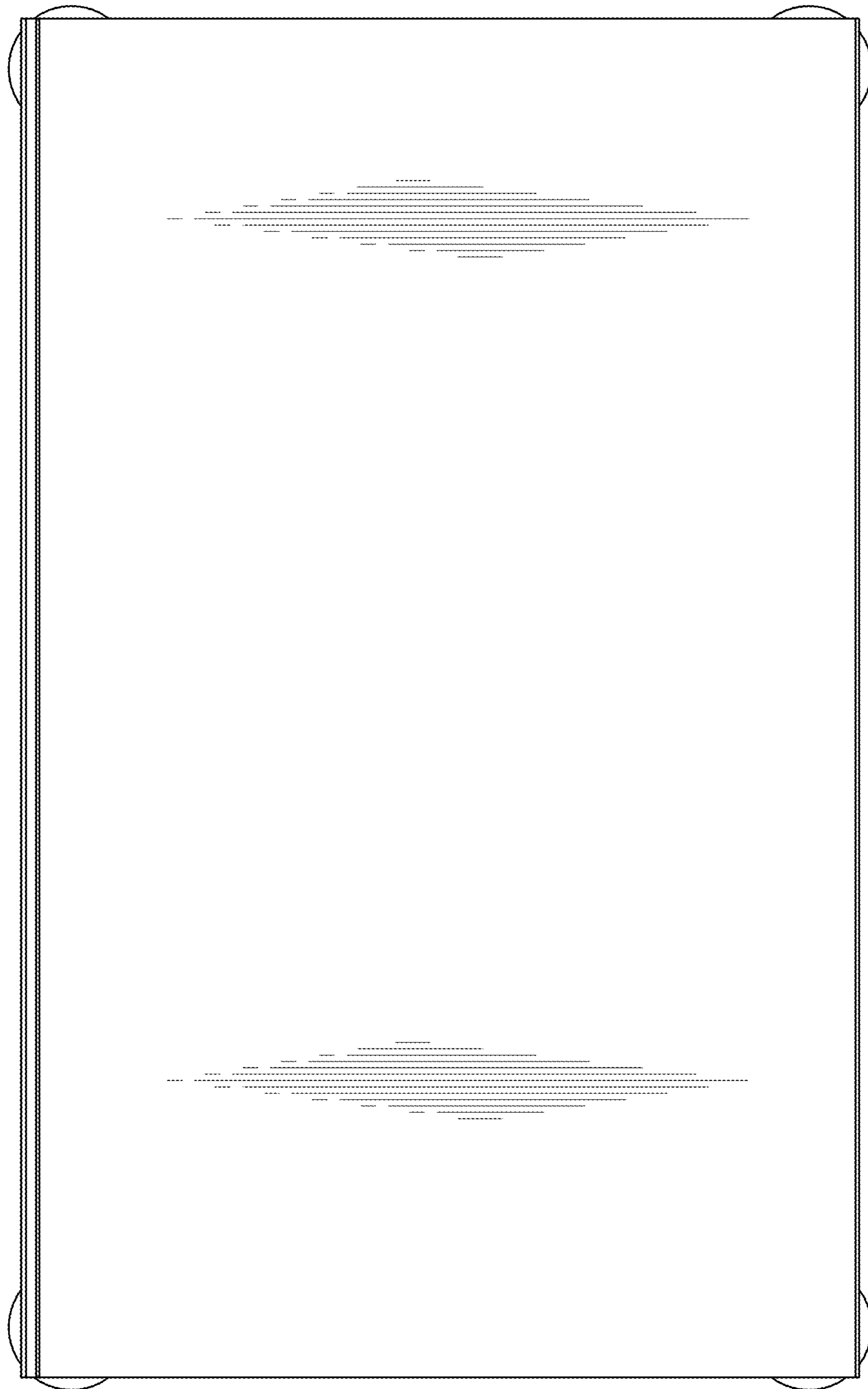


FIG. 6

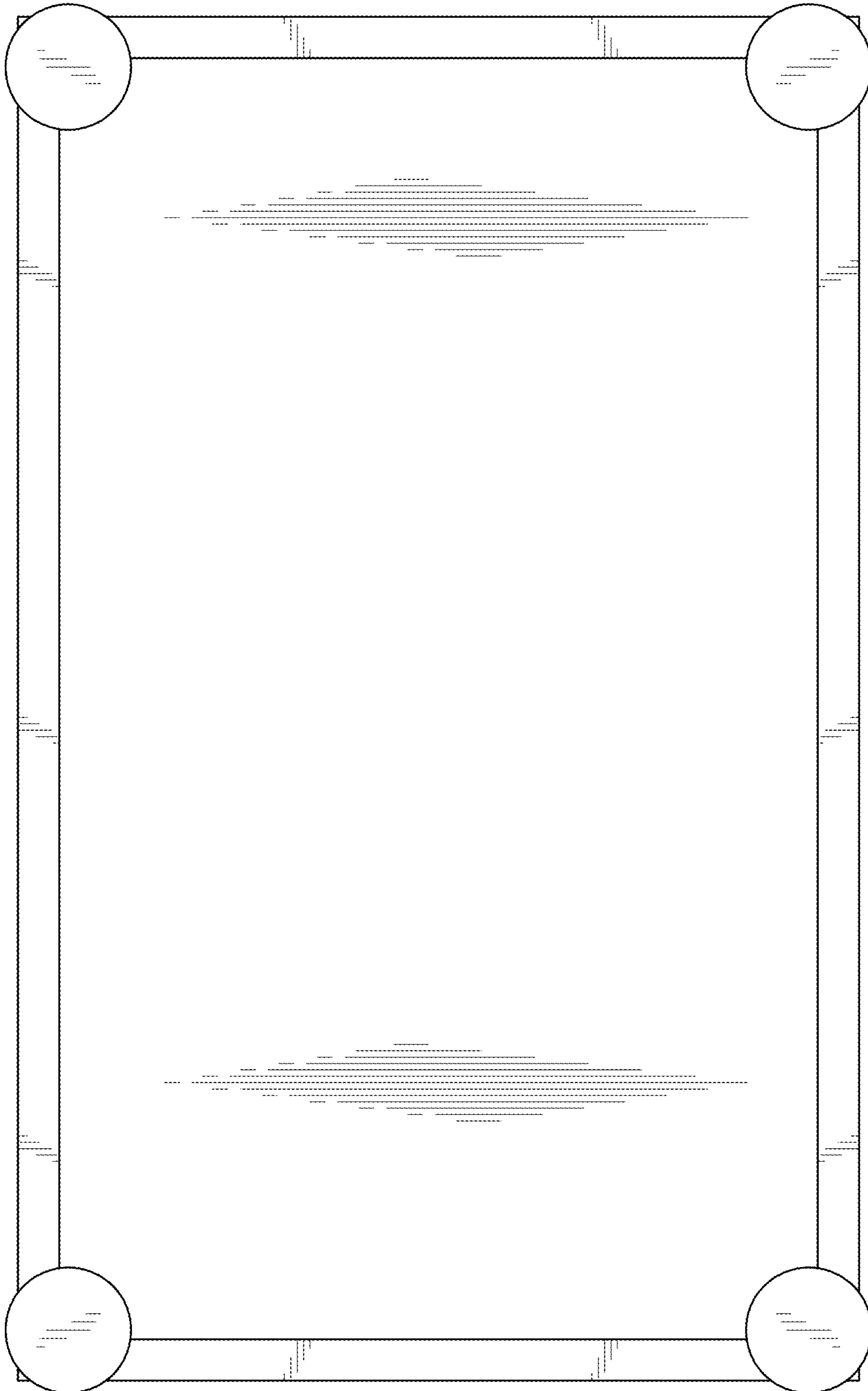


FIG. 7

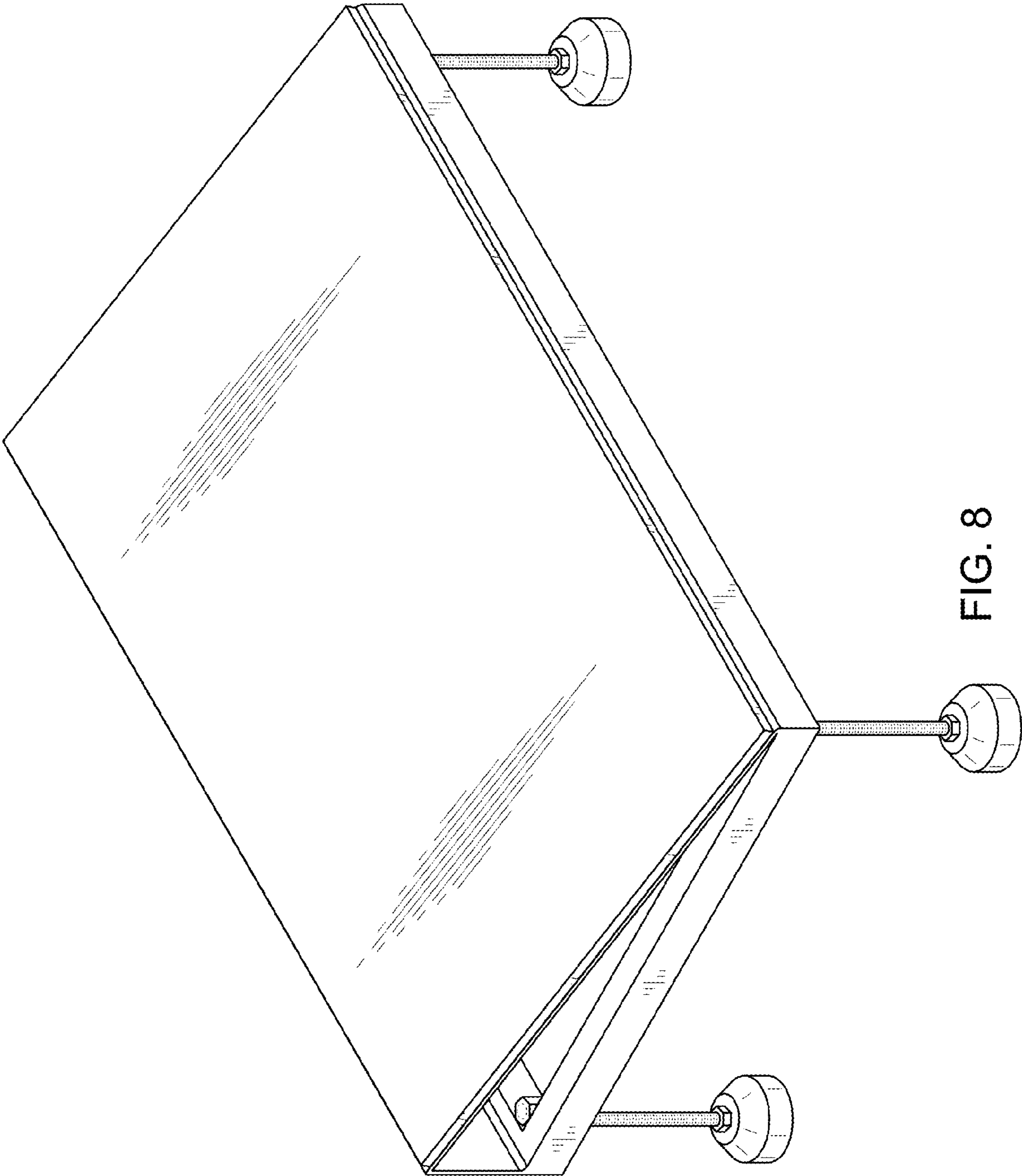


FIG. 8

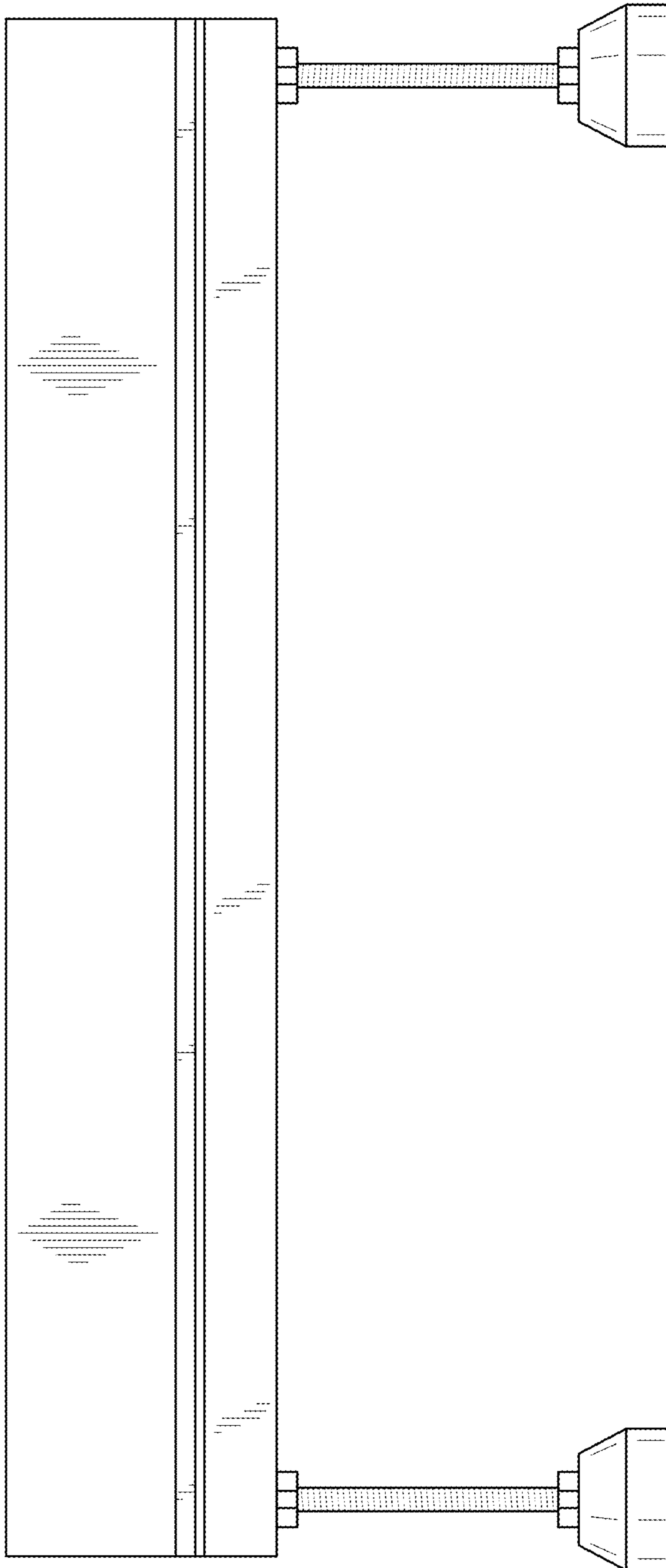


FIG. 9

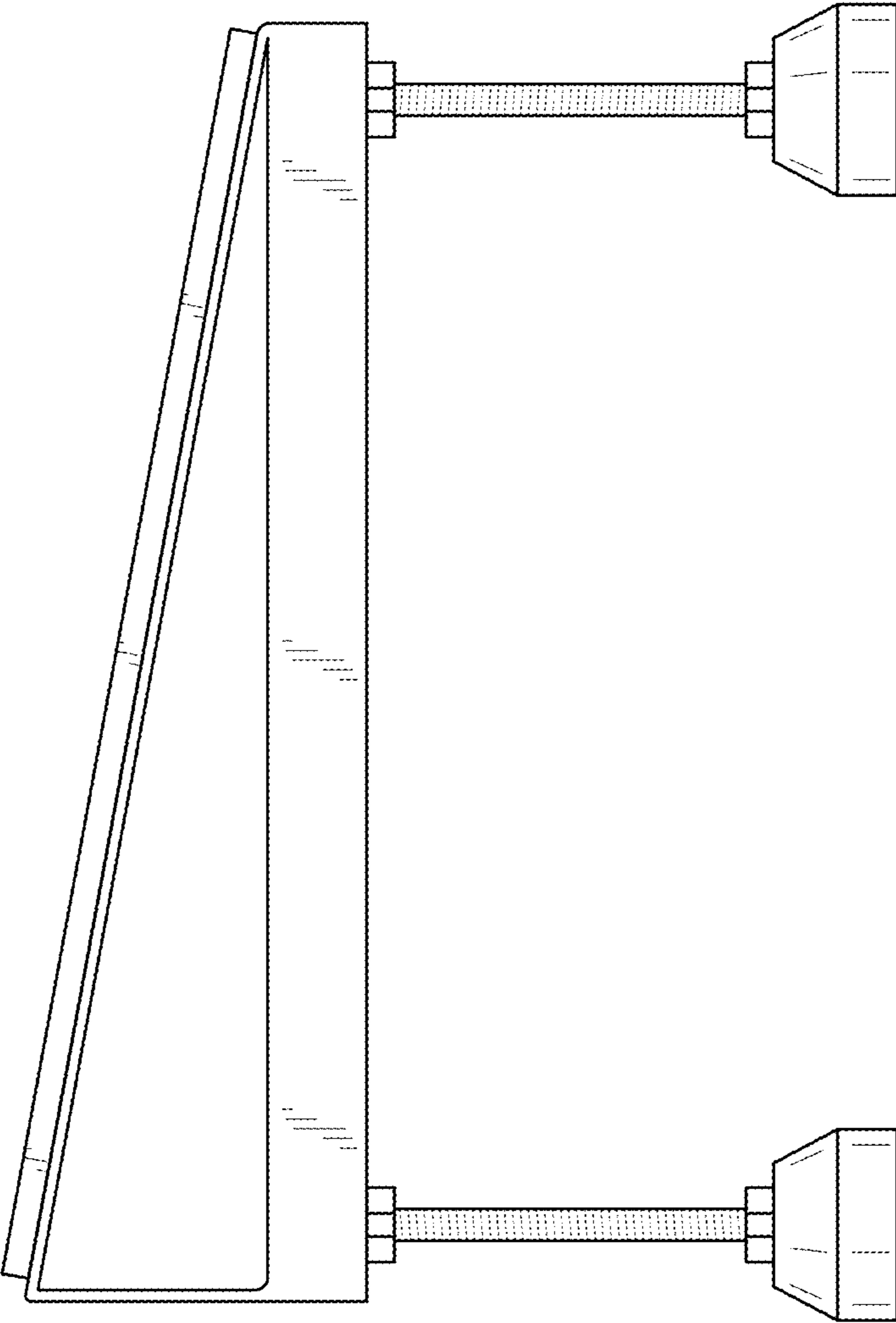


FIG. 10

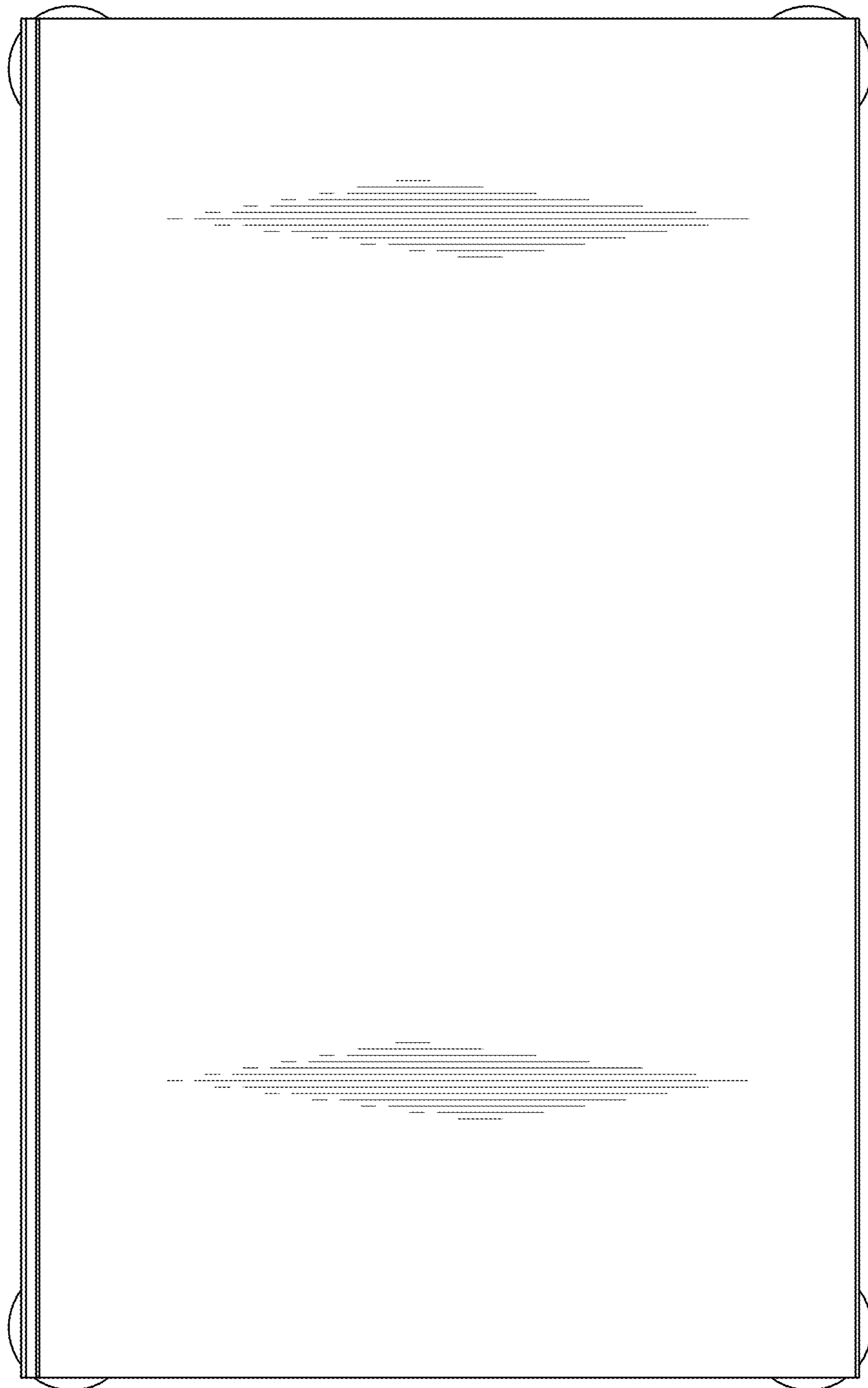


FIG. 11

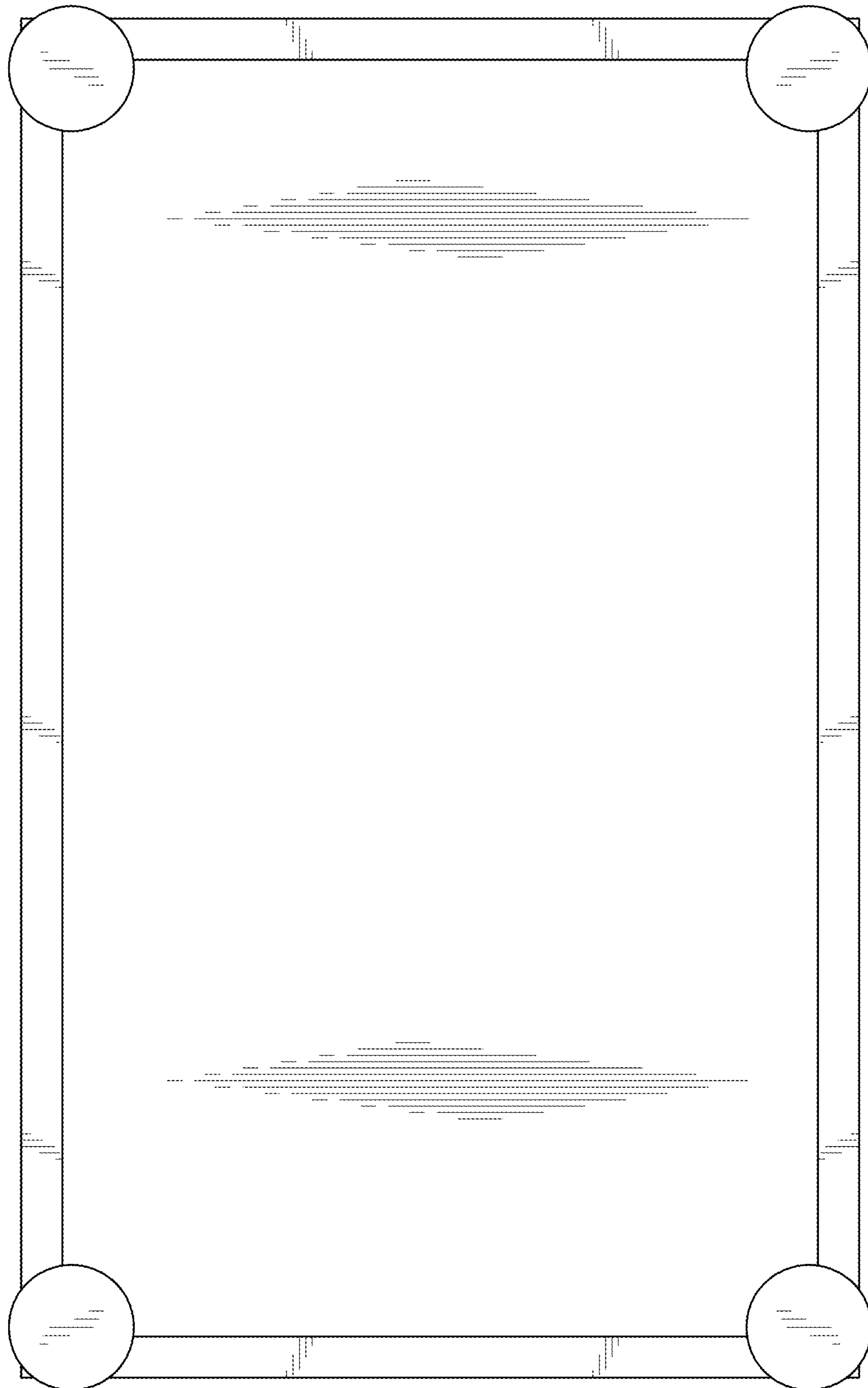


FIG. 12