



US00D932783S

(12) **United States Design Patent** (10) **Patent No.:** **US D932,783 S**
Harris (45) **Date of Patent:** **** Oct. 12, 2021**

(54) **INCLINED INFANT SLEEPING SEAT**
(71) Applicant: **Brett Harris**, Guilderland, NY (US)
(72) Inventor: **Brett Harris**, Guilderland, NY (US)

D624,344 S * 9/2010 Kashey D6/601
8,028,361 B2 10/2011 Ramer et al.
8,484,782 B2 7/2013 Garofalo
8,726,437 B2 5/2014 Hardesty
(Continued)

(**) Term: **15 Years**

FOREIGN PATENT DOCUMENTS

(21) Appl. No.: **29/711,367**

EP 0908124 A1 4/1999

(22) Filed: **Oct. 30, 2019**

OTHER PUBLICATIONS

(51) **LOC (13) Cl.** **06-01**

(52) **U.S. Cl.**

USPC **D6/333**

(58) **Field of Classification Search**

USPC D6/582-583, 587-592, 595-609,
D6/617-622, 331, 333, 385, 718;
D21/803-809; D24/183; 5/643, 633,
5/652, 636, 637, 632, 655, 657, 655.9
CPC . A47G 9/00; A47G 9/10; A47G 9/009; A47G
9/1045; A47G 9/1081; A47G 9/109;
A47G 2009/003; A47G 2009/1018; A47D
7/00; A47D 7/02; A47D 13/00; A47D
13/02; A47D 13/08

Flipkart, "Carter's Mother's Touch Large Comfort Bather Baby Bath Seat", https://www.flipkart.com/carter-s-mother-s-touch-large-comfort-bather-baby-bath-seat/p/itmdyagjba356fzz?pid=BHTDYAGGGH5RGZXA&lid=LSTBHTDYAGGGH5RGZAMGYKIG&marketplace=FLIPKART&srno=b_1_6&otracker=browse&fm=organic&iid=f0bce68f-3e5f-4b8b-a755-, Oct. 10, 2018.

Primary Examiner — Abraham Bahta
(74) *Attorney, Agent, or Firm* — Heslin Rothenberg Farley & Mesiti P.C.

See application file for complete search history.

(57) **CLAIM**

The ornamental design for an inclined infant sleeping seat, as shown and described.

(56) **References Cited**

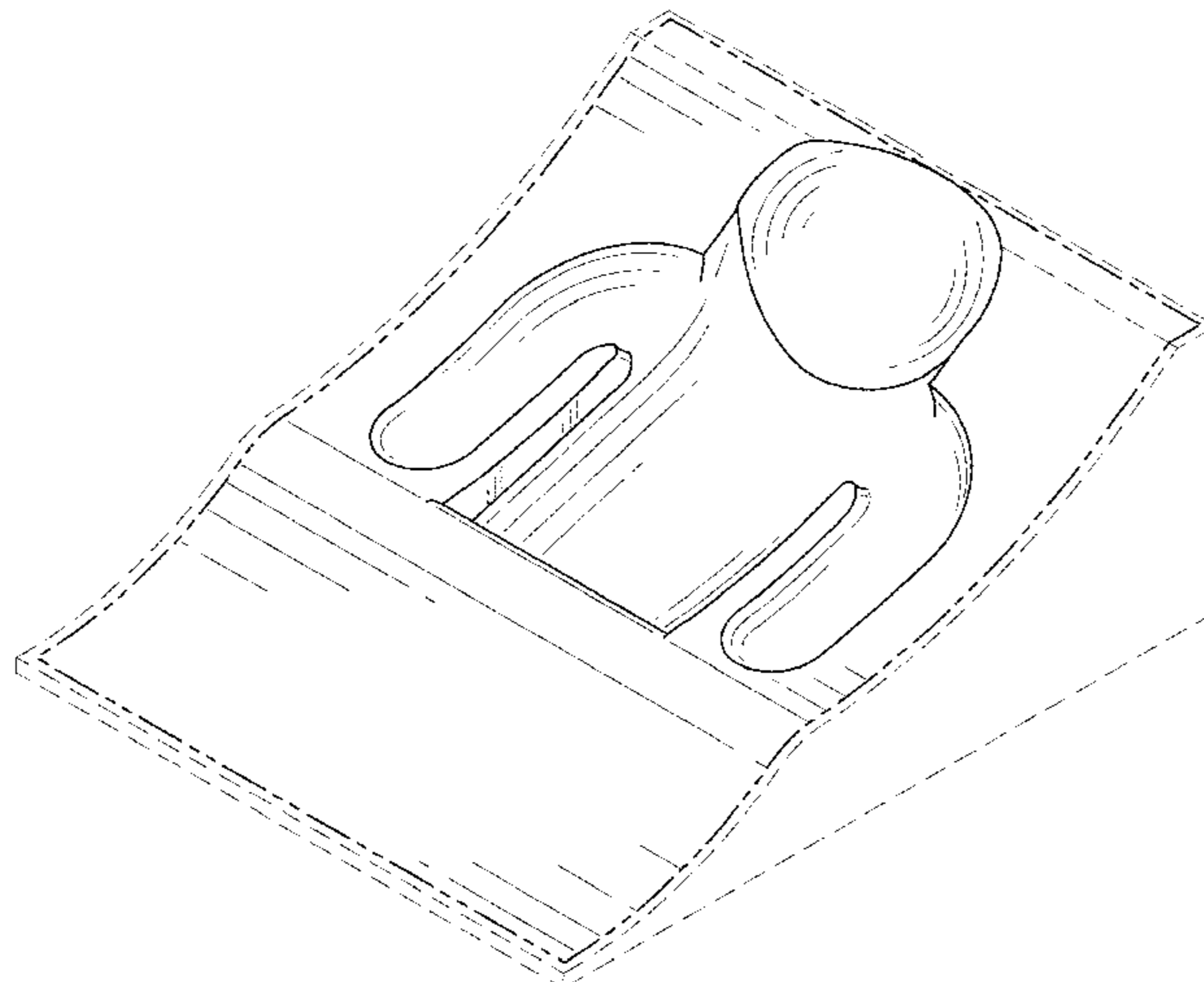
U.S. PATENT DOCUMENTS

D215,536 S 10/1969 Larsen
D259,488 S * 6/1981 Carter D15/4
4,359,045 A 11/1982 Cozzi
5,127,120 A * 7/1992 Mason A47D 15/006
297/219.12
D333,752 S 3/1993 Mason
5,800,368 A 9/1998 Klingemann et al.
D446,675 S 8/2001 Straub
D461,320 S 8/2002 Sher
D500,622 S 1/2005 Owen
6,877,176 B2 4/2005 Houghteling
D513,888 S 1/2006 Santamaria
D524,559 S 7/2006 Cymbalski et al.
D537,640 S 3/2007 Spence et al.
7,234,181 B1 * 6/2007 Griggs A47D 13/08
5/632
7,472,432 B2 1/2009 Owen

DESCRIPTION

FIG. 1 is a top and right side perspective view of the inclined infant sleeping seat showing my new design;
FIG. 2 is a top and left side perspective view thereof;
FIG. 3 is a top elevational view thereof;
FIG. 4 is a cross-sectional view taken along line 4-4 in FIG. 3;
FIG. 5 is a cross-sectional view taken along line 5-5 in FIG. 3
FIG. 6 is a front elevational view thereof;
FIG. 7 is a right elevational view thereof;
FIG. 8 is a left elevational view thereof;
FIG. 9 is a rear elevational view thereof; and,
FIG. 10 is a bottom elevational view thereof.

1 Claim, 8 Drawing Sheets



(56)

References Cited

U.S. PATENT DOCUMENTS

D712,677	S	*	9/2014	Clute	D6/390
D731,813	S	*	6/2015	Durkin	D6/601
D746,071	S		12/2015	Haley		
D804,832	S		12/2017	Pos		
D848,763	S	*	5/2019	Potter	D6/601
2006/0010604	A1		1/2006	Kamrin-Balfour		
2007/0022537	A1		2/2007	Faustick		
2008/0178387	A1		7/2008	Kachtick-Anders		
2009/0007336	A1		1/2009	Kassai et al.		

* cited by examiner

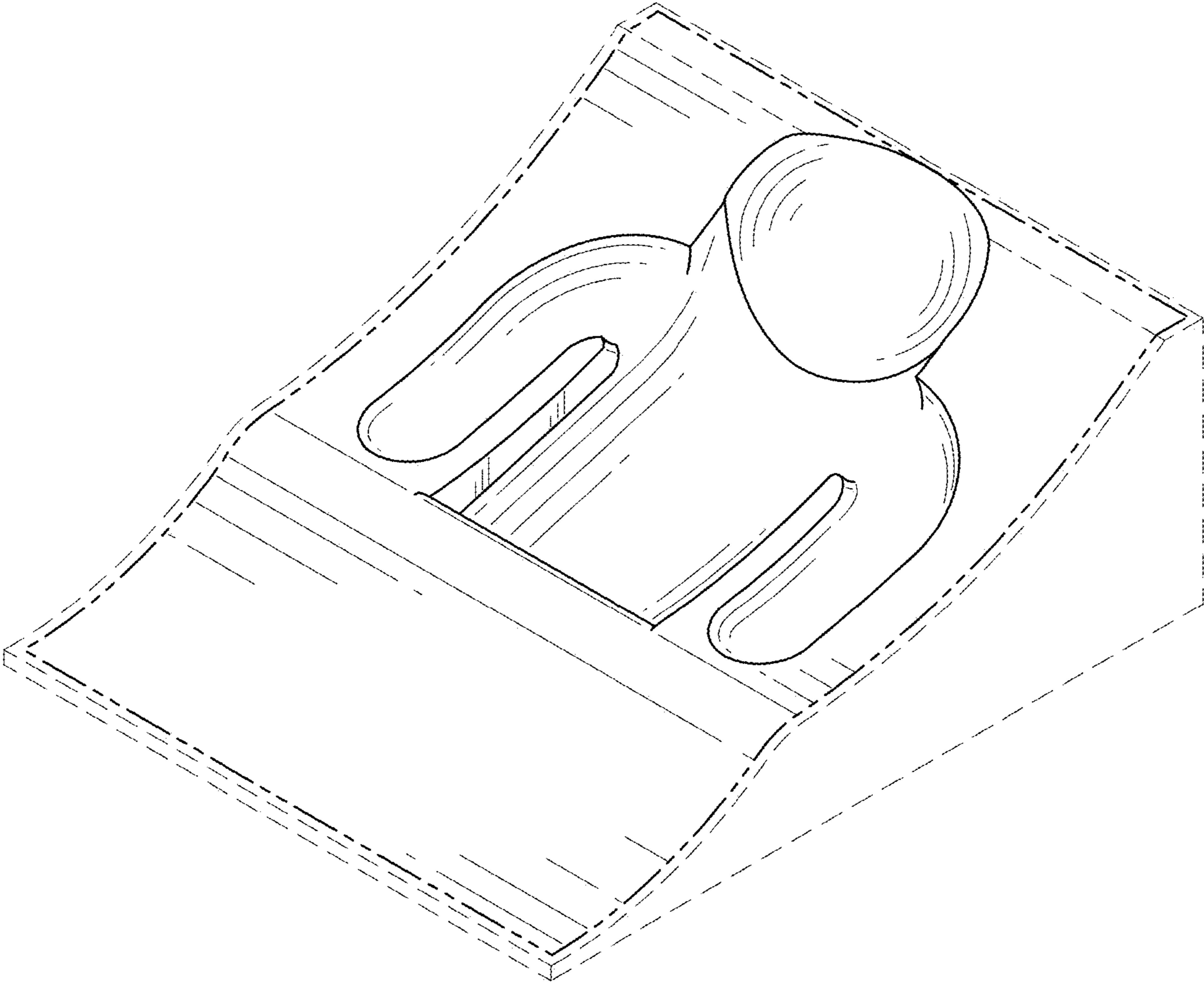


FIG. 1

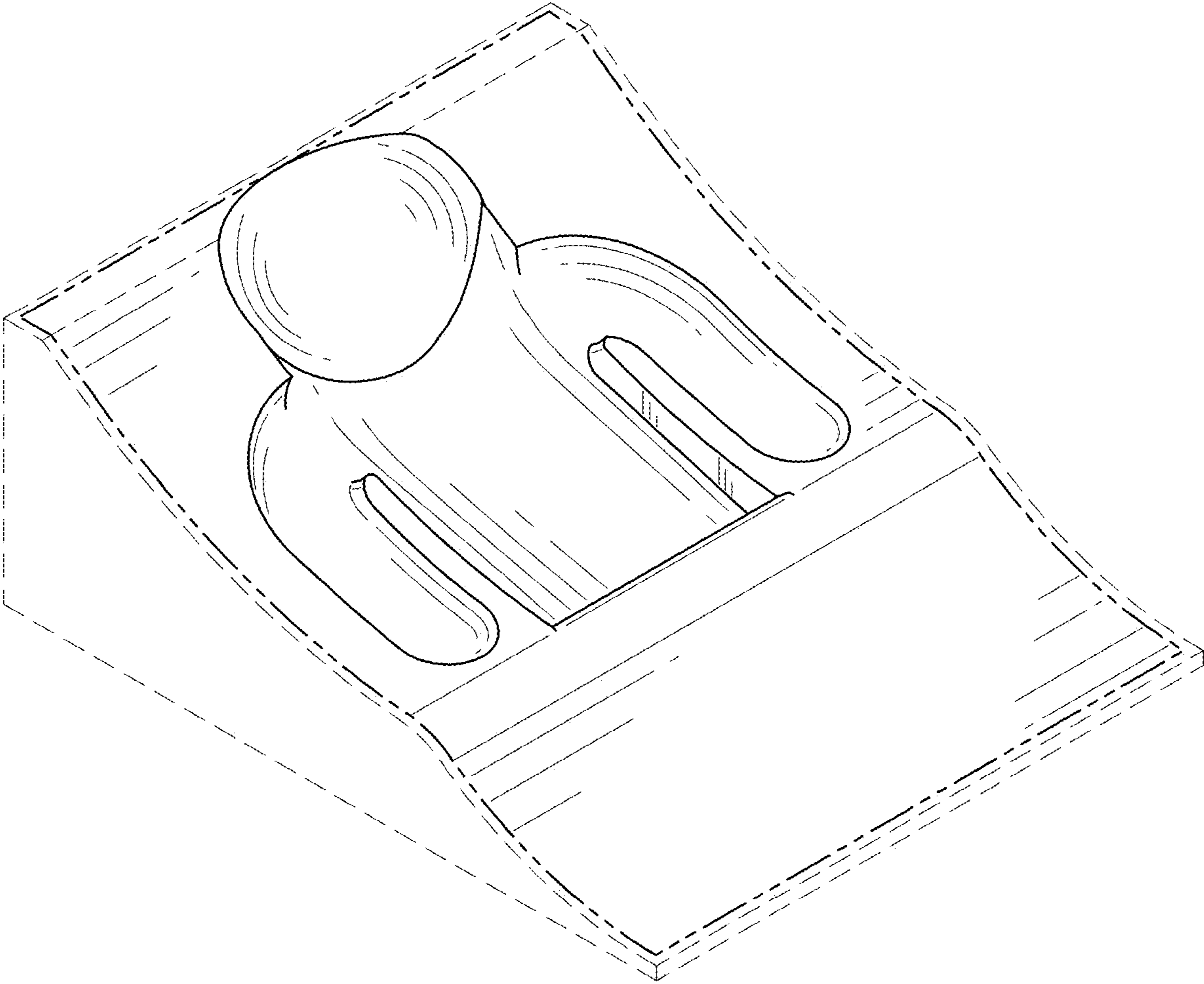


FIG. 2

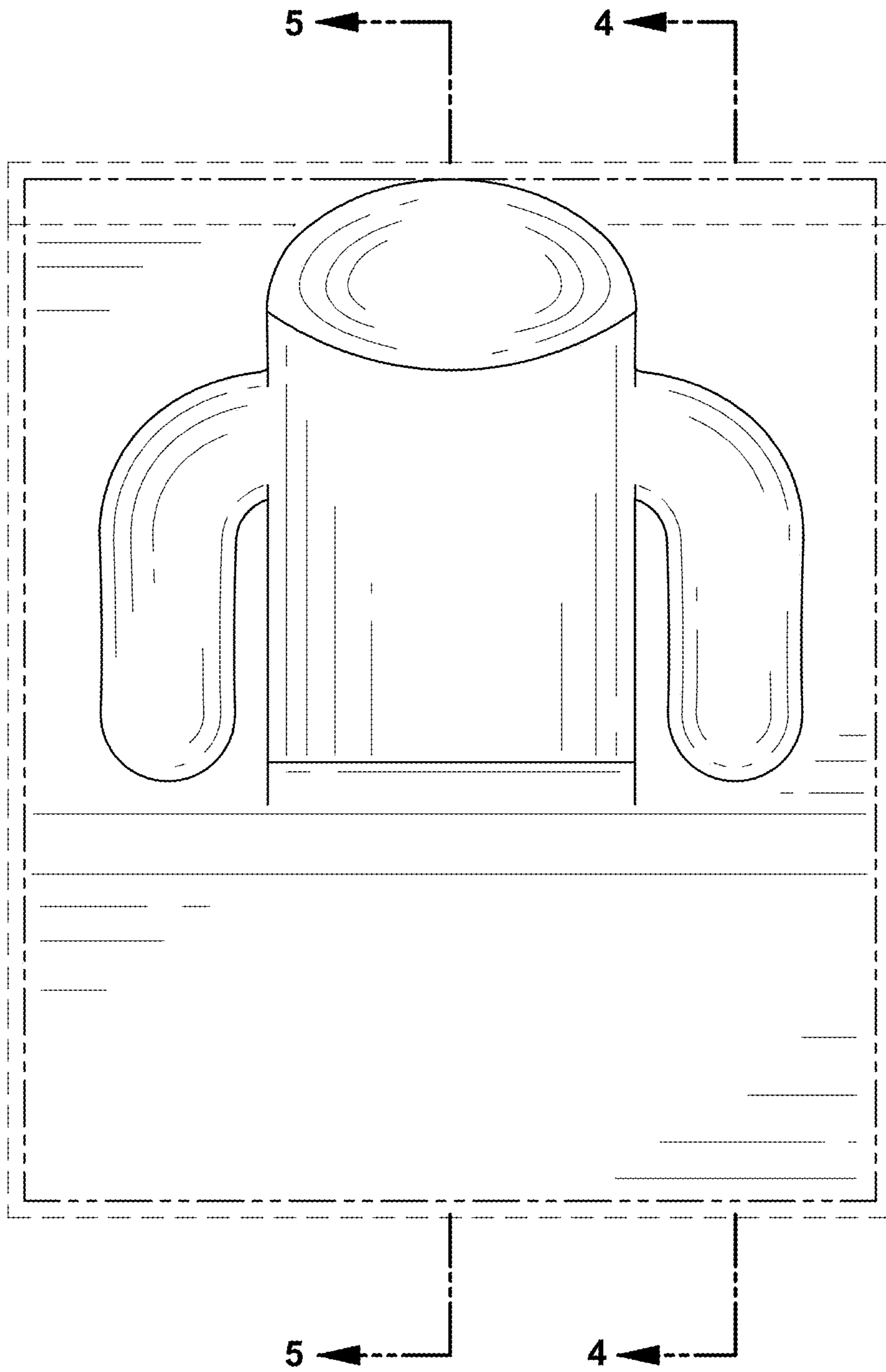


FIG. 3

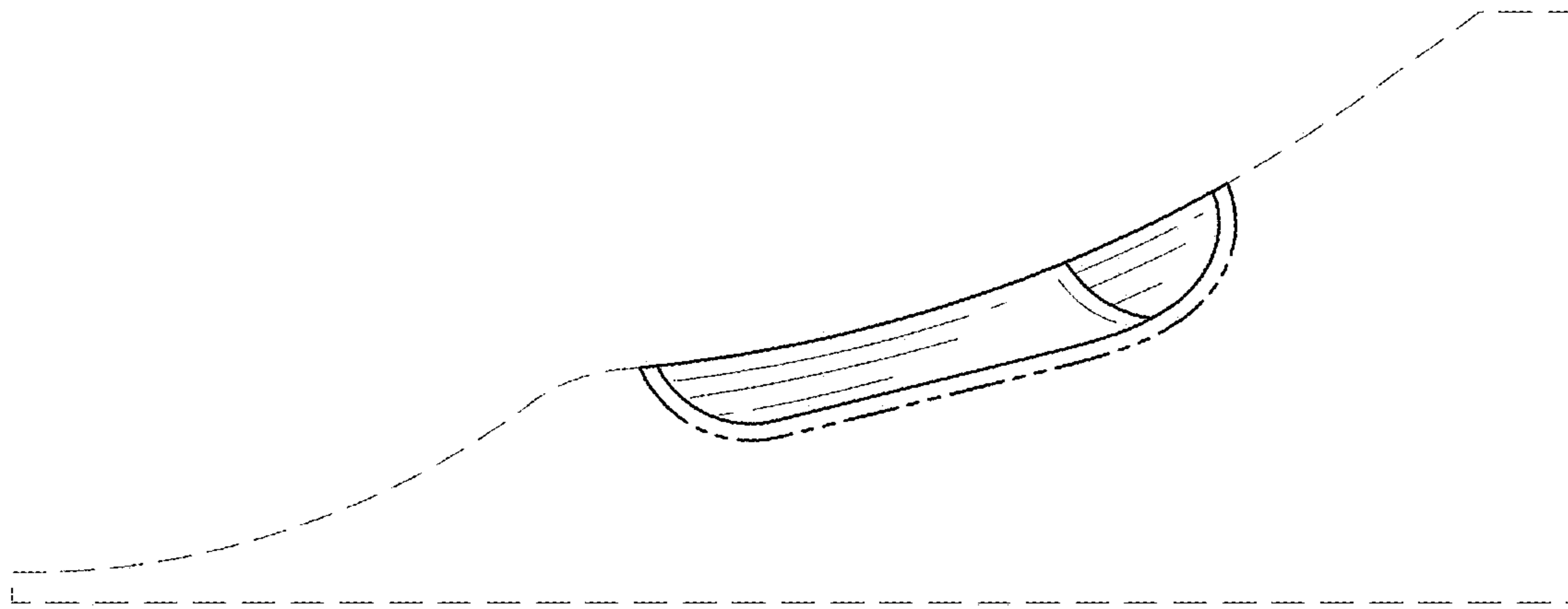


FIG. 4

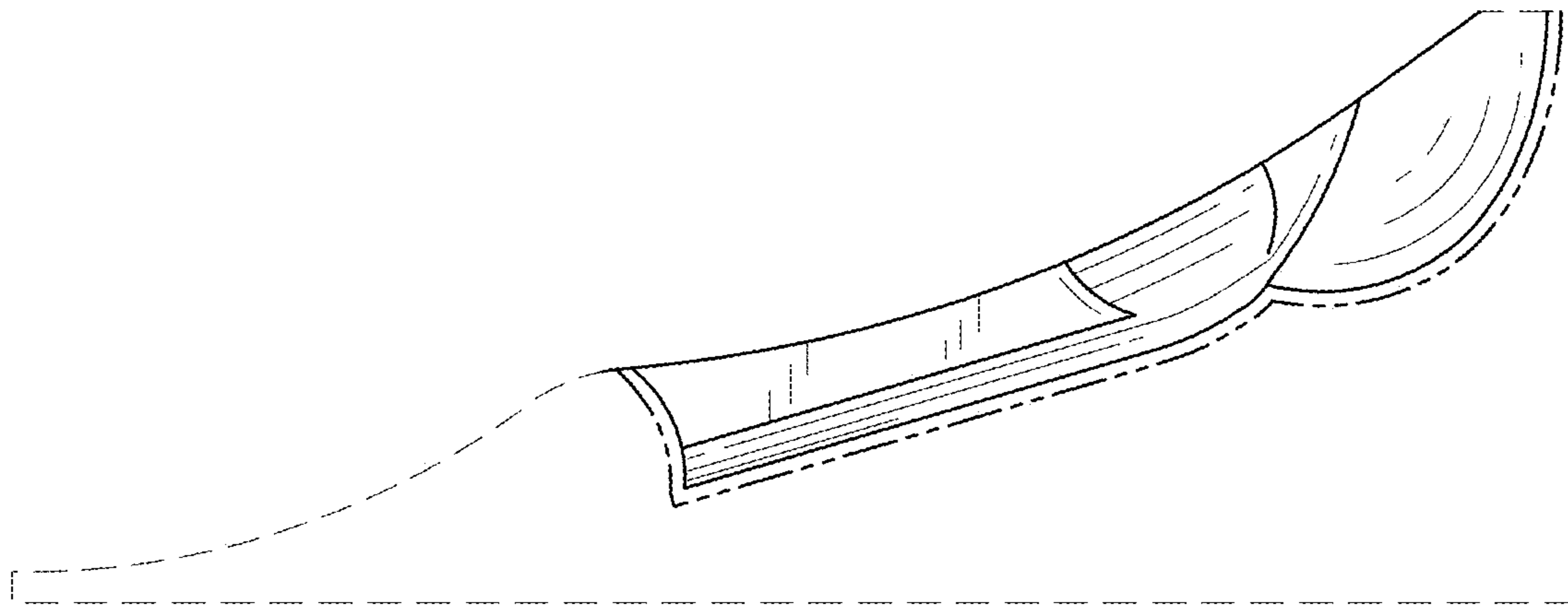


FIG. 5

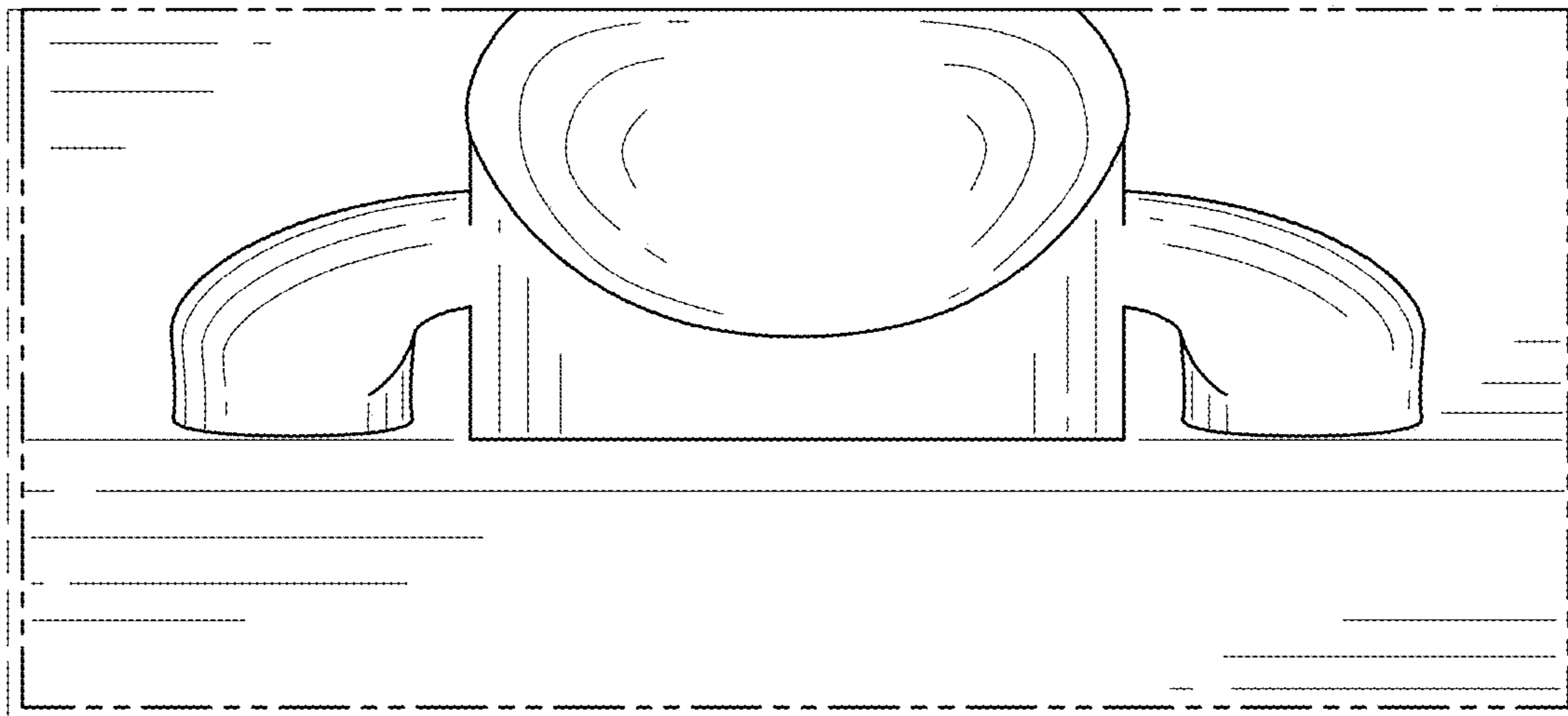


FIG. 6

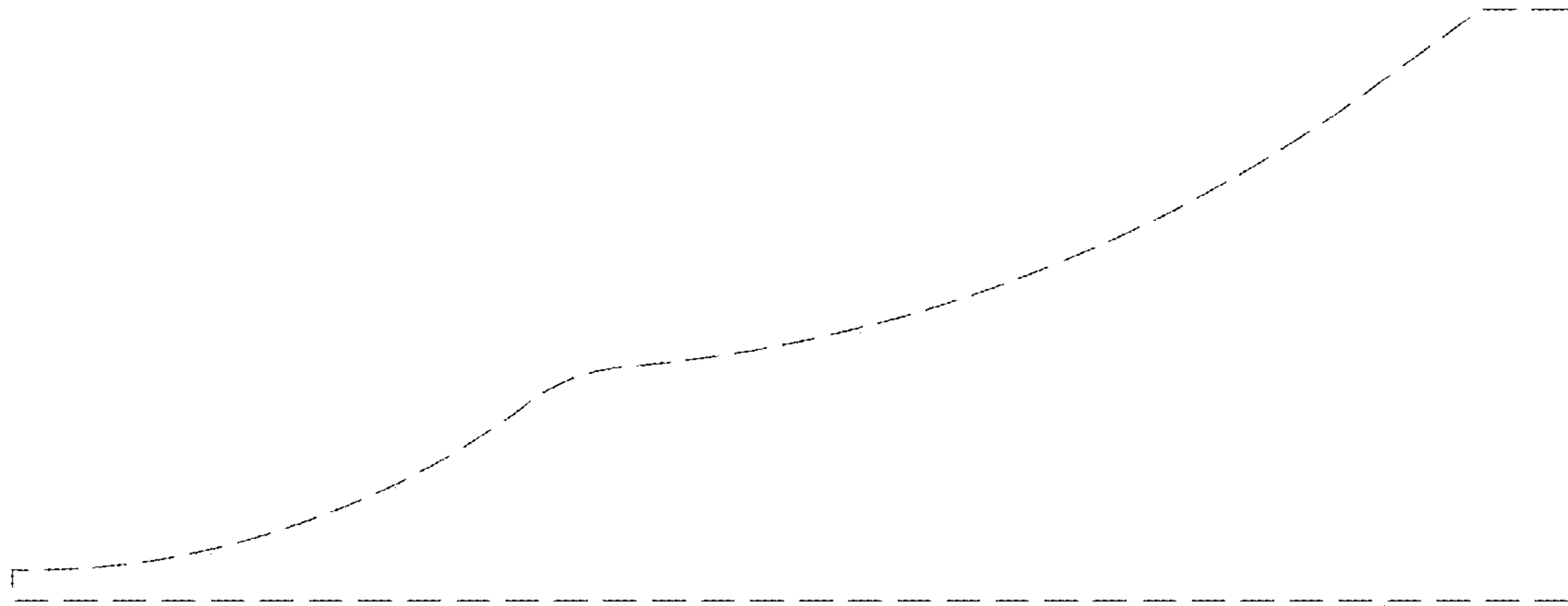


FIG. 7

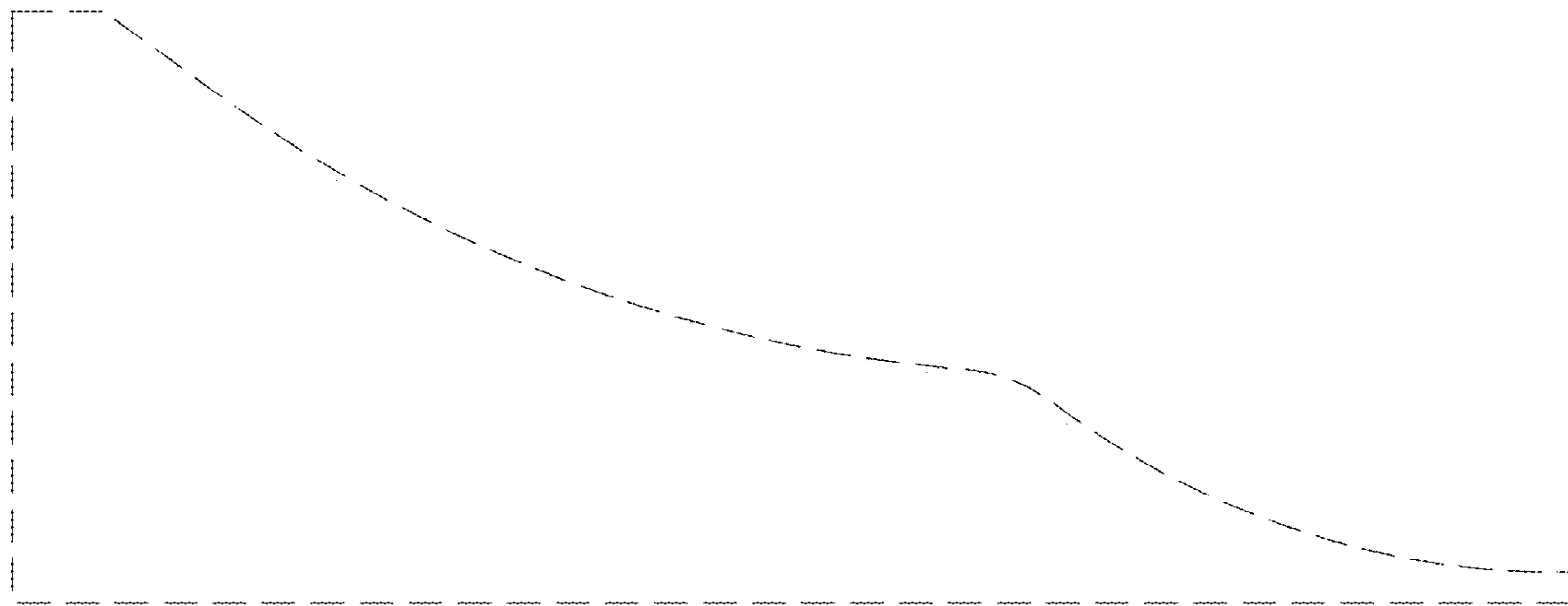


FIG. 8



FIG. 9



FIG. 10