



US00D932781S

(12) **United States Design Patent** (10) **Patent No.:** **US D932,781 S**
Liu (45) **Date of Patent:** **** Oct. 12, 2021**

(54) **MIRROR**

(71) Applicant: **Wendong Liu**, Shenzhen (CN)

(72) Inventor: **Wendong Liu**, Shenzhen (CN)

(**) Term: **15 Years**

(21) Appl. No.: **29/767,810**

(22) Filed: **Jan. 26, 2021**

(51) **LOC (13) Cl.** **06-07**

(52) **U.S. Cl.**
USPC **D6/309; D6/310**

(58) **Field of Classification Search**
USPC D6/300–314
CPC A47D 42/10; A47G 1/04
See application file for complete search history.

(56) **References Cited**

U.S. PATENT DOCUMENTS

8,162,502 B1 *	4/2012	Zadro	F21V 33/004	362/141
D730,065 S *	5/2015	Tsai	D6/310	
D738,118 S *	9/2015	Gyanendra	D6/310	
D825,940 S *	8/2018	Liu	D6/309	
D874,162 S *	2/2020	Greenwalt	D6/310	
D885,769 S *	6/2020	Wang	D6/309	
D891,121 S *	7/2020	Zhao	D6/308	
D891,123 S *	7/2020	Li	D6/310	
D891,125 S *	7/2020	Liu	D6/310	
D892,508 S *	8/2020	Yang	D6/309	
D897,694 S *	10/2020	Lin	D6/309	
D897,695 S *	10/2020	Yang	D6/309	
D898,387 S *	10/2020	Yang	D6/309	
D902,607 S	11/2020	Liu			
D905,442 S	12/2020	Yang			
D905,447 S *	12/2020	Yang	D6/310	
D916,472 S *	4/2021	Ghiorghie	D6/310	

OTHER PUBLICATIONS

Pedro Veintimilla, "Happy with first impression" review posted on "Lighted Makeup Mirror 10x Magnification, 8 Inch Rechargeable

Tabletop Vanity Mirror Double Sided, 360 Degree Swivel Cosmetic Mirror with Touch Control Lights Brightness Adjustable, Chrome Finish" product listing, Amazon, Jan. 22, 2021. https://www.amazon.com/Magnification-Rechargeable-Tabletop-Brightness-Adjustable/dp/B086YD1F9M/ref=psdc_3785121_t2_B083K6V757, retrieved May 8, 2021 (Year: 2021).*

* cited by examiner

Primary Examiner — Deanna L Pratt

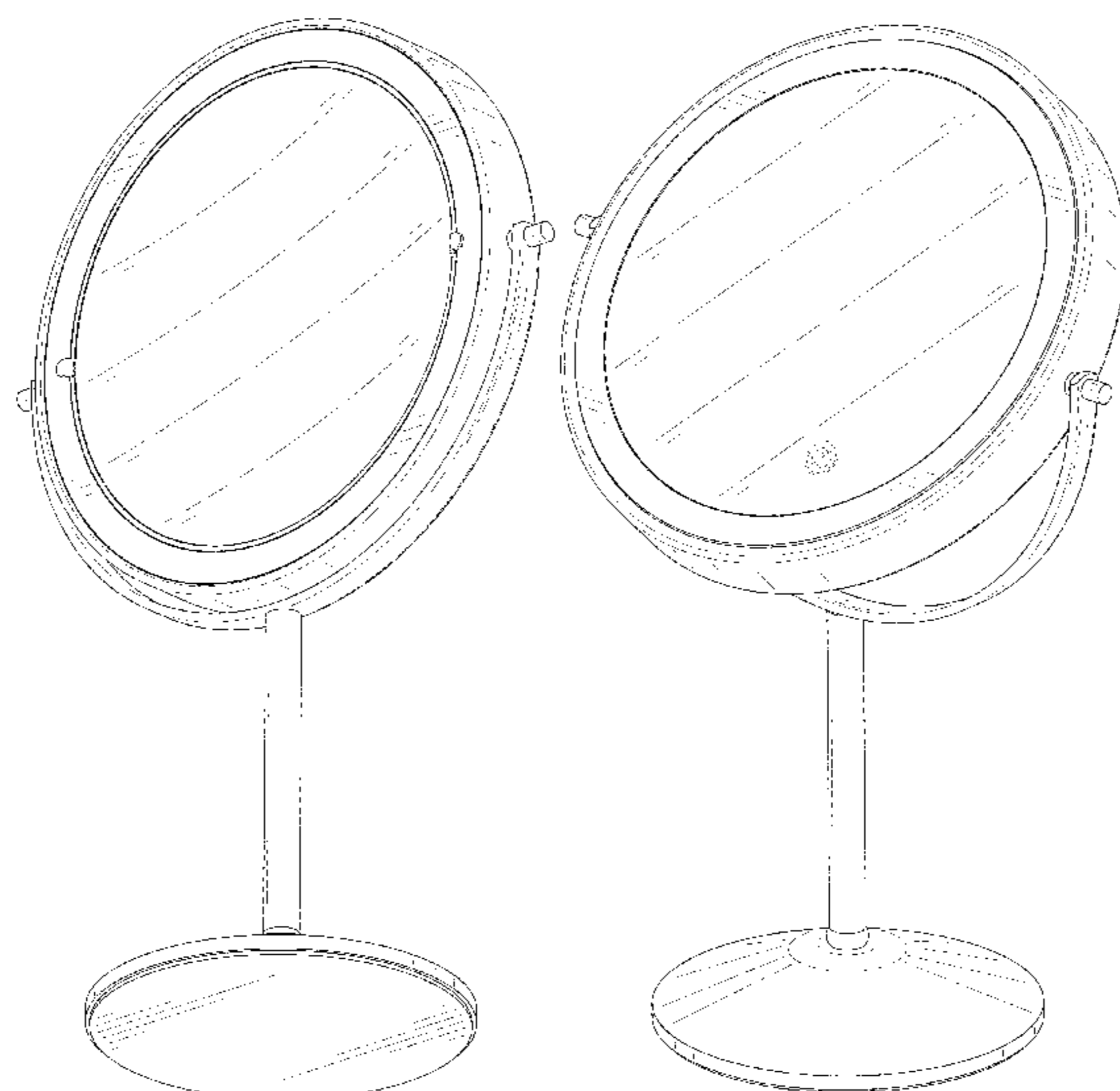
(57) **CLAIM**

The ornamental design for a mirror, as shown and described.

DESCRIPTION

FIG. 1 is a perspective view of a first embodiment of a mirror showing my new design;
FIG. 2 is another perspective view thereof;
FIG. 3 is a front elevational view thereof;
FIG. 4 is a rear elevational view thereof;
FIG. 5 is a left side elevational view thereof;
FIG. 6 is a right side elevational view thereof;
FIG. 7 is a top plan view thereof;
FIG. 8 is a bottom plan view thereof;
FIG. 9 is a perspective view of the mirror where the mirror is in a configuration of use;
FIG. 10 is a perspective view of a second embodiment of the mirror showing my new design;
FIG. 11 is another perspective view thereof;
FIG. 12 is a front elevational view thereof;
FIG. 13 is a rear elevational view thereof;
FIG. 14 is a left side elevational view thereof;
FIG. 15 is a right side elevational view thereof;
FIG. 16 is a top plan view thereof;
FIG. 17 is a bottom plan view thereof; and,
FIG. 18 is a perspective view of the mirror where the mirror is in a configuration of use.
The broken lines in the drawings depict portions of the mirror that form no part of the claimed design.

1 Claim, 18 Drawing Sheets



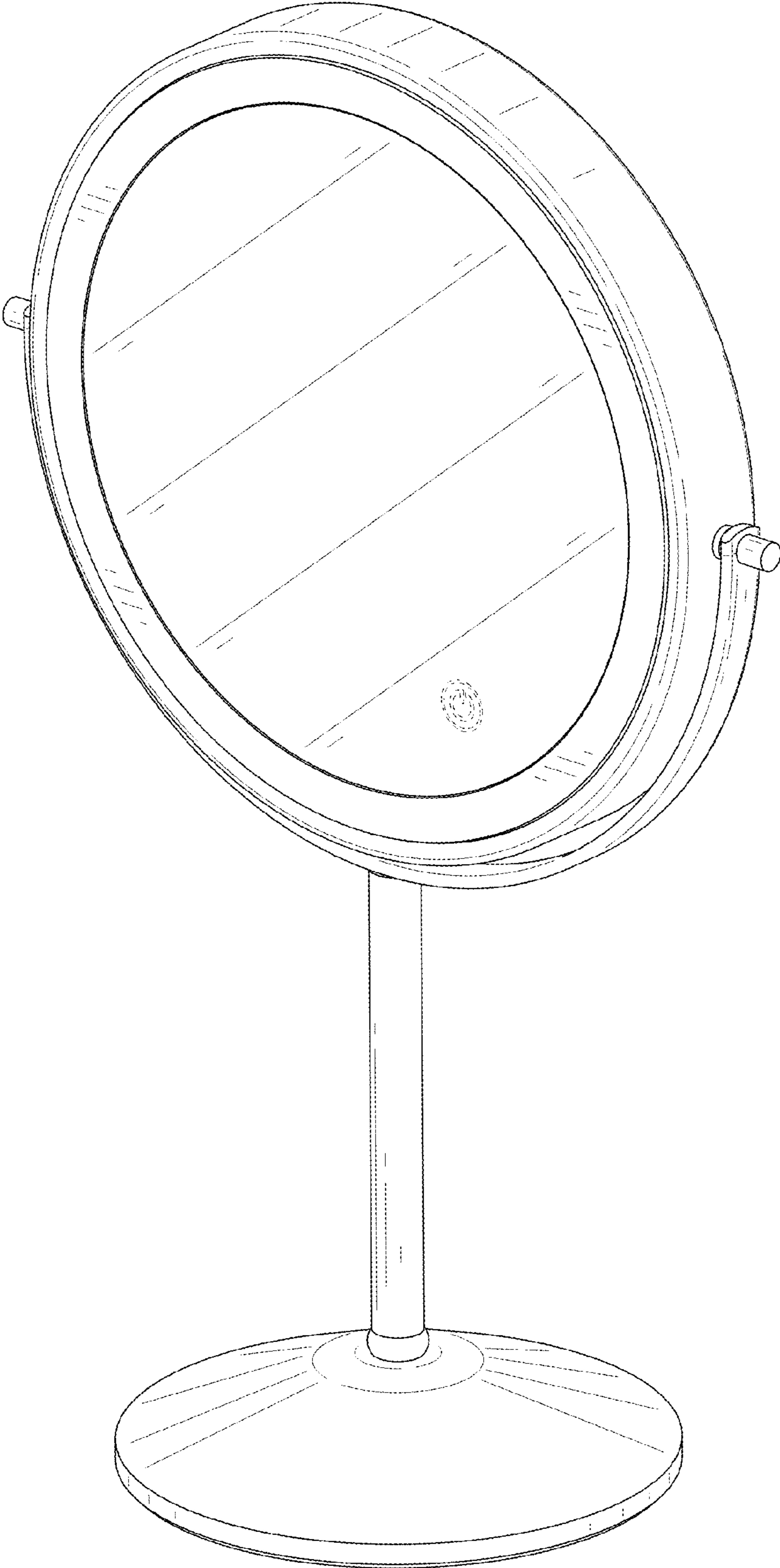


FIG. 1

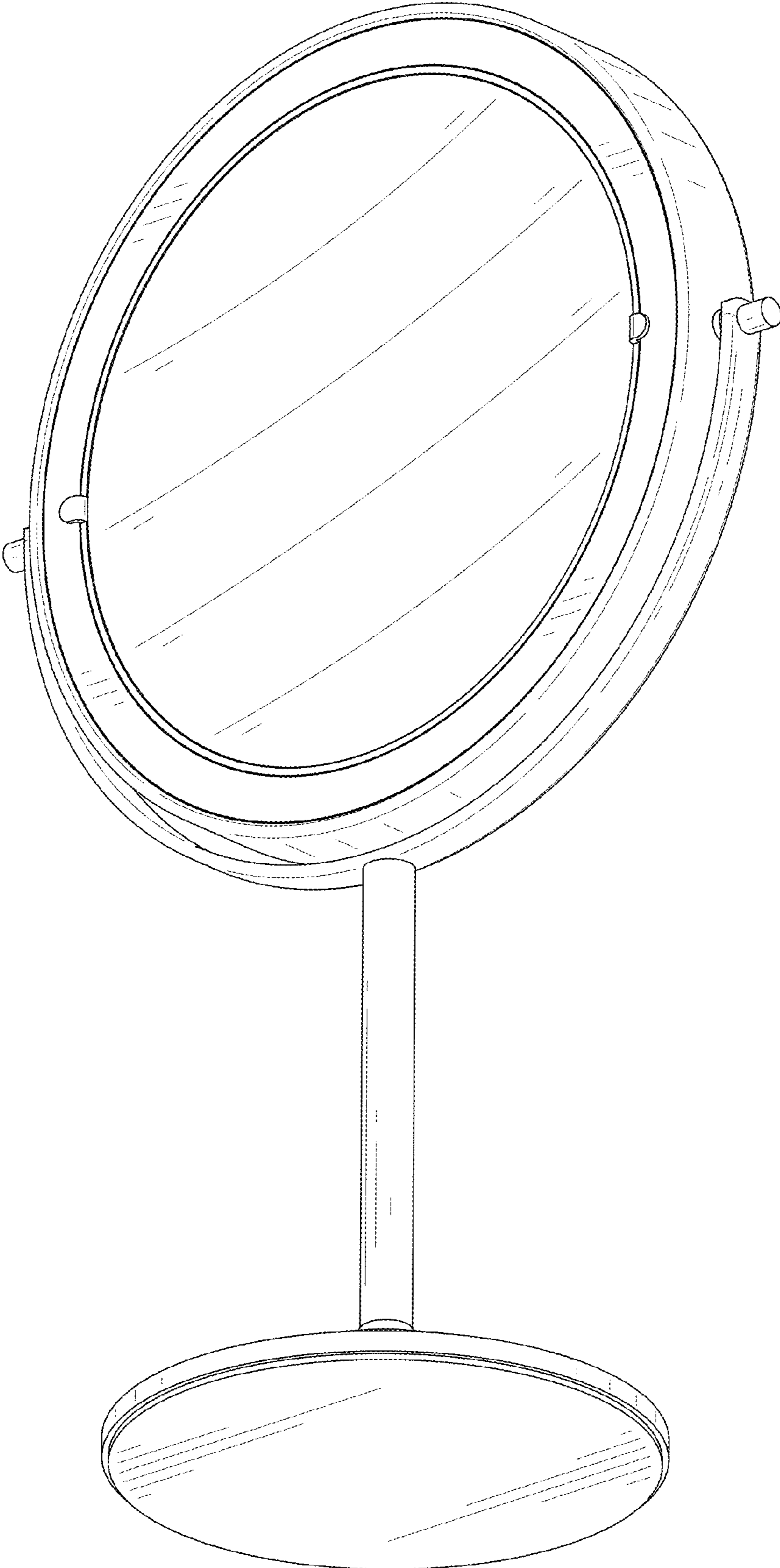


FIG. 2

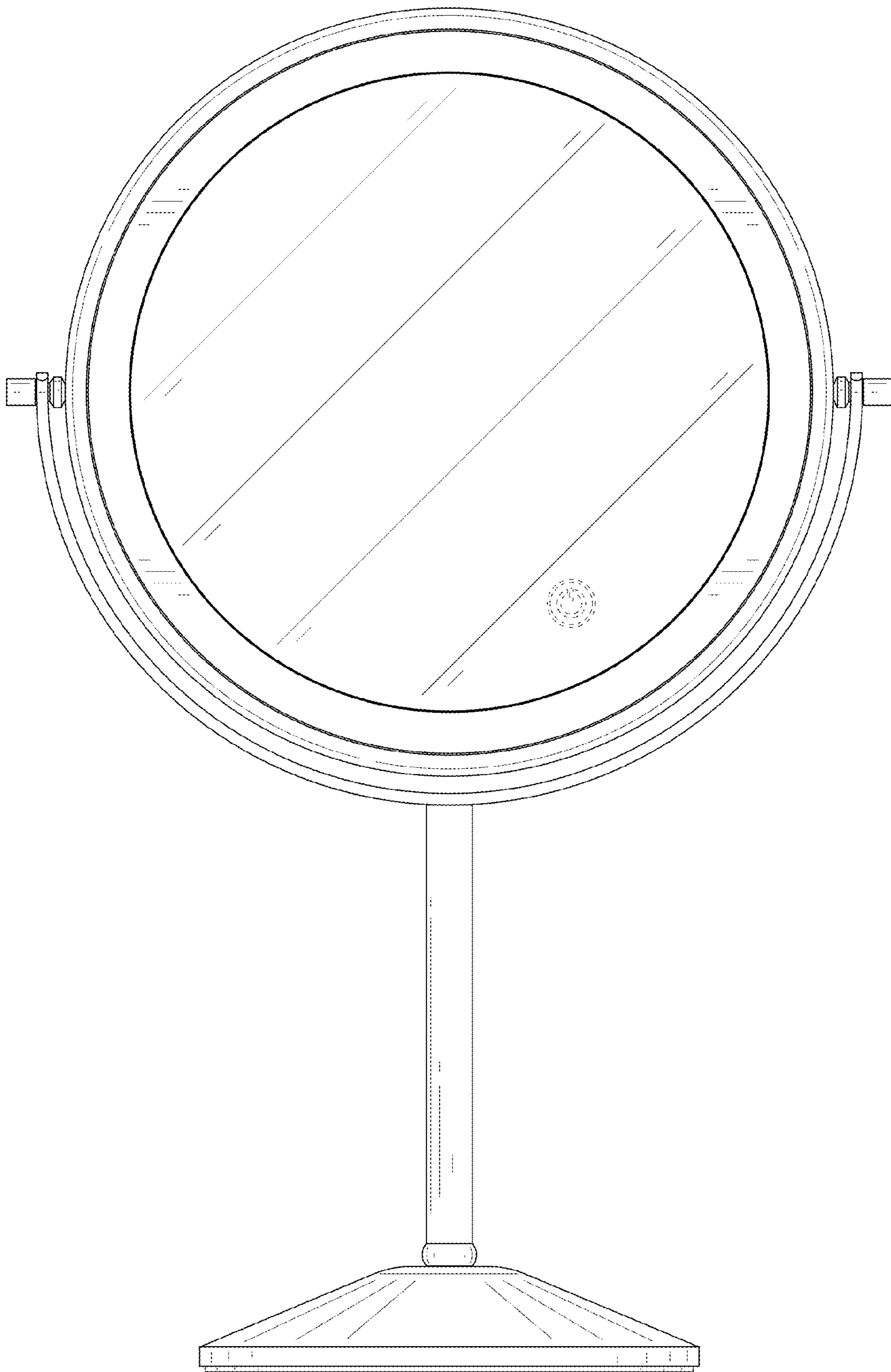


FIG. 3

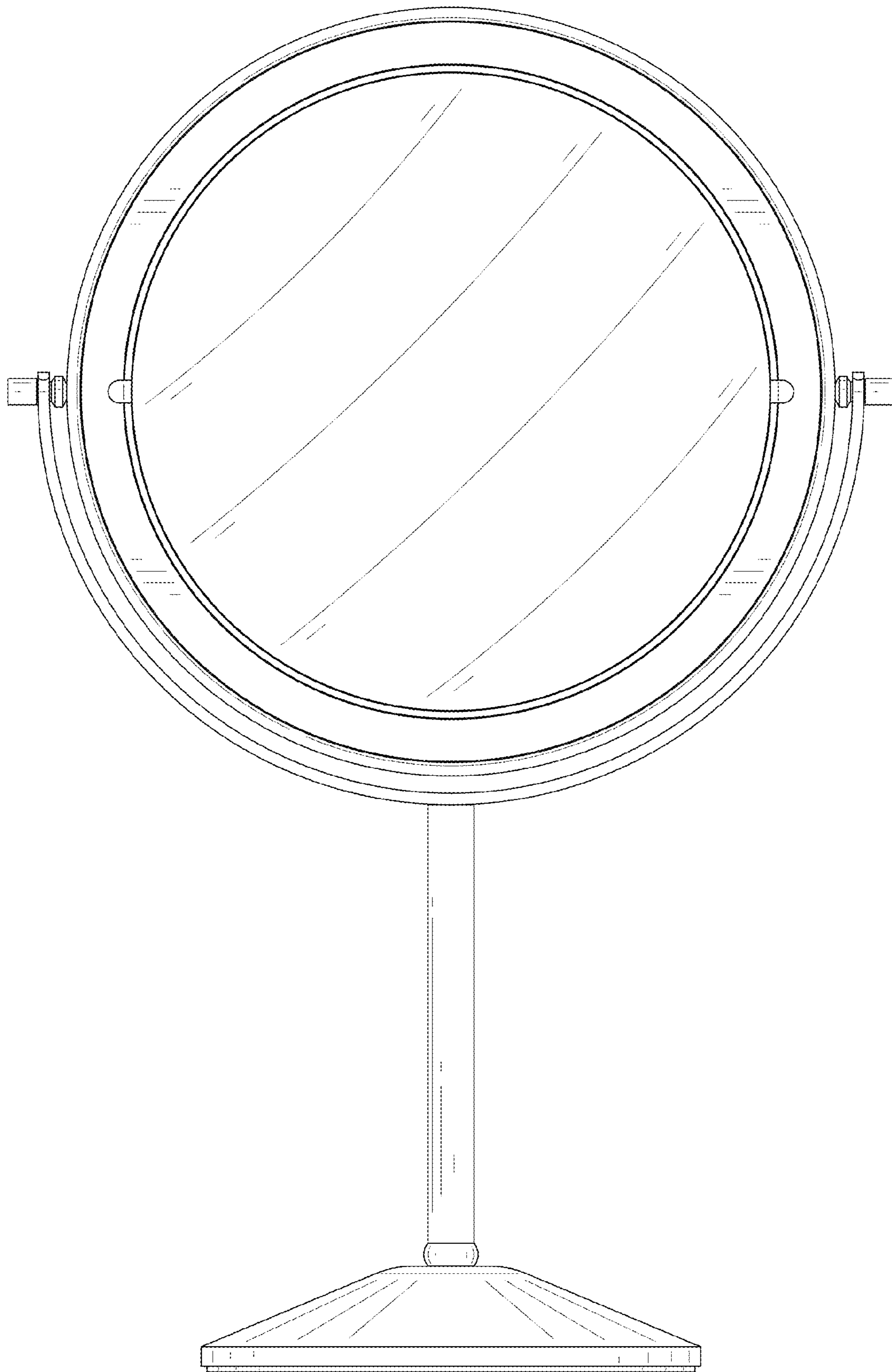


FIG. 4

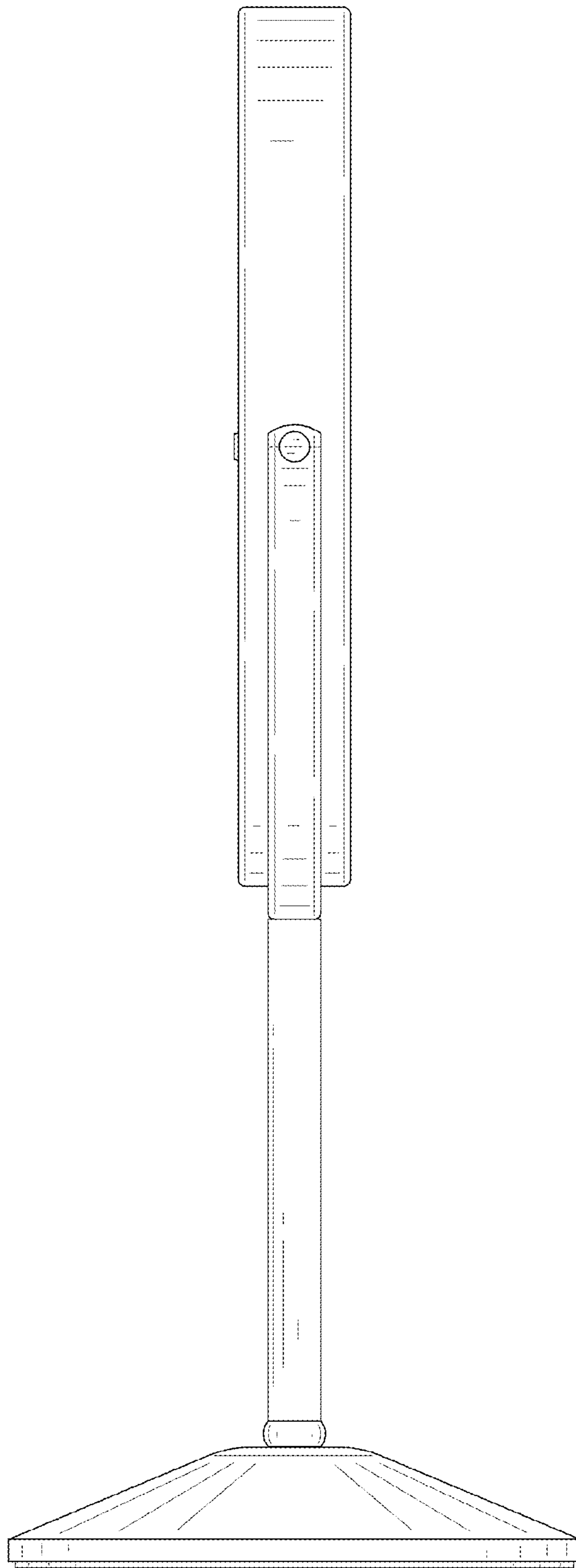


FIG. 5

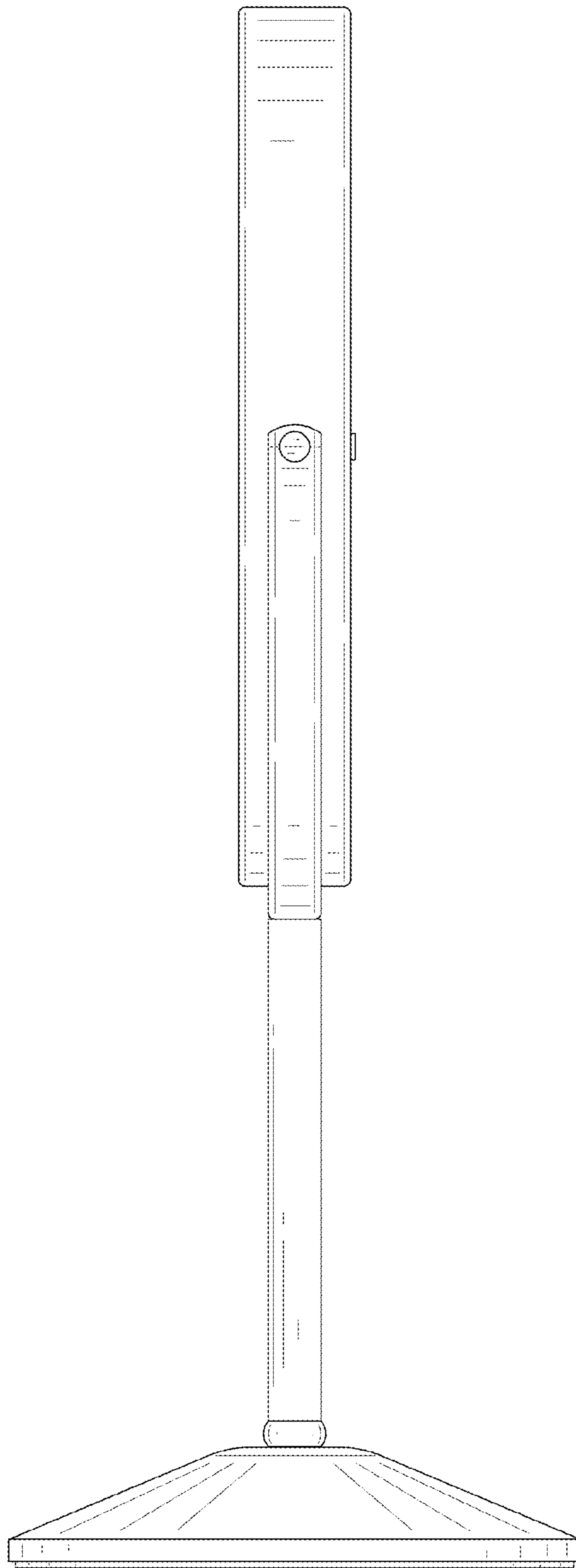


FIG. 6

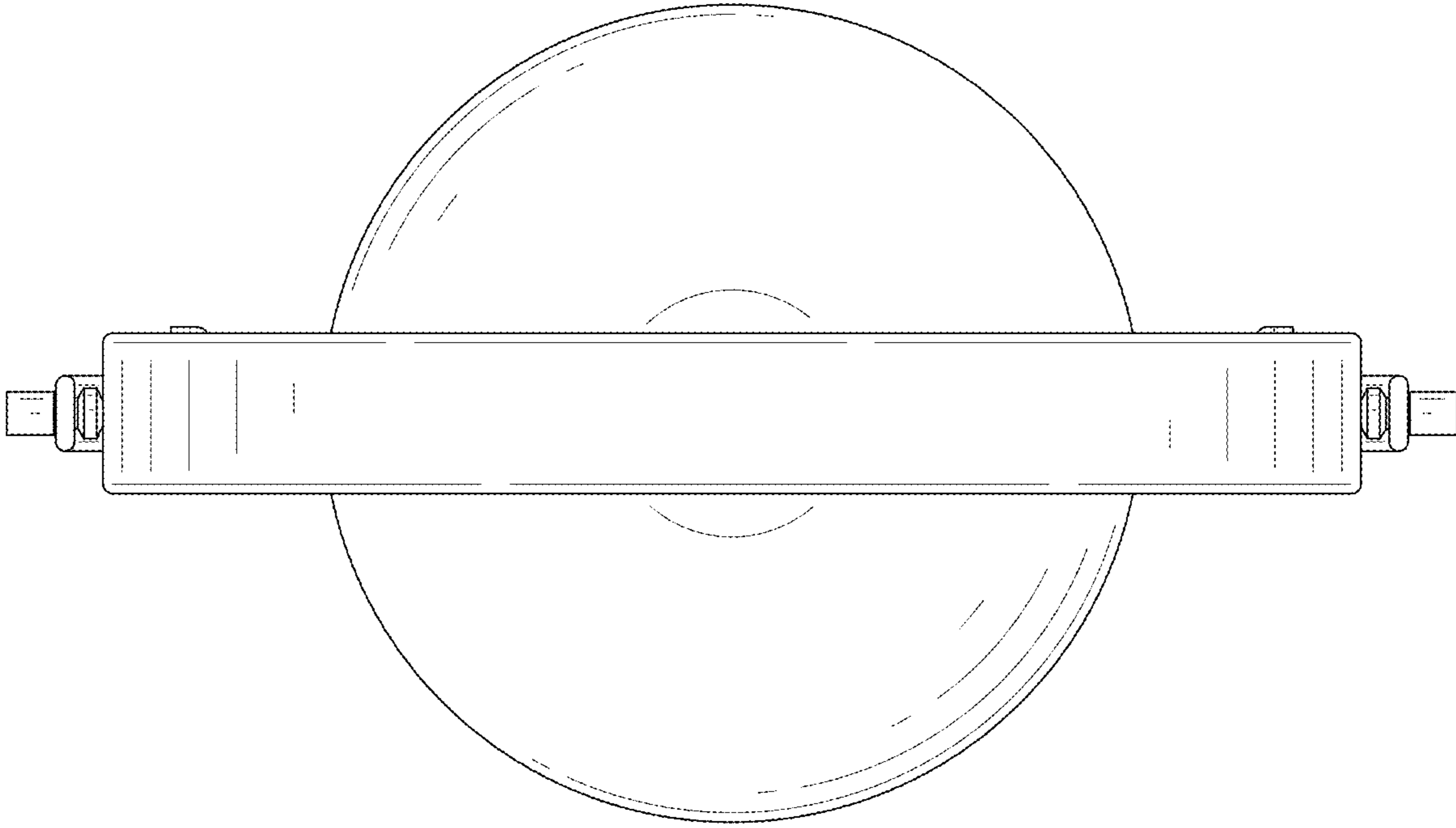


FIG. 7

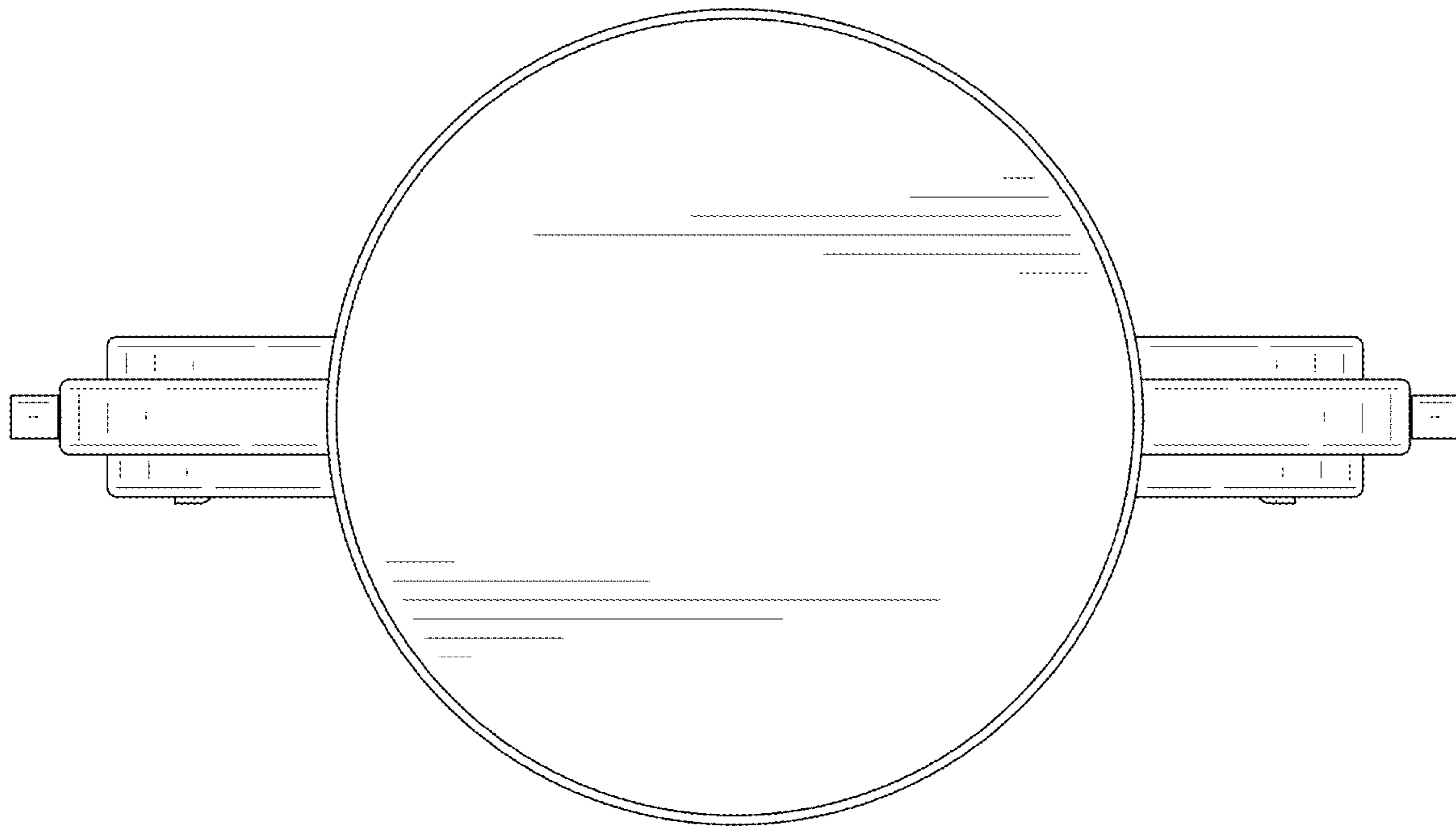


FIG. 8

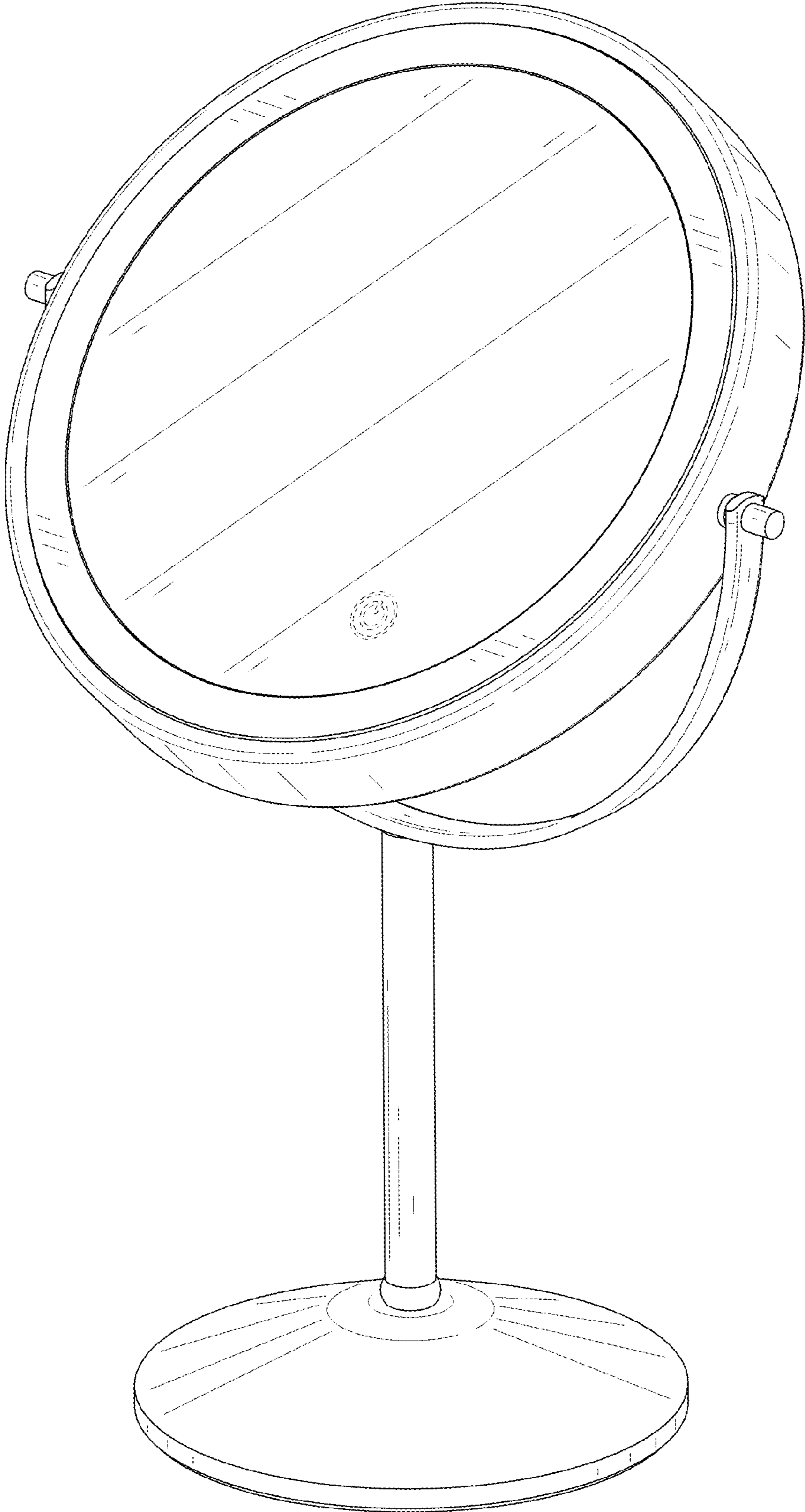


FIG. 9

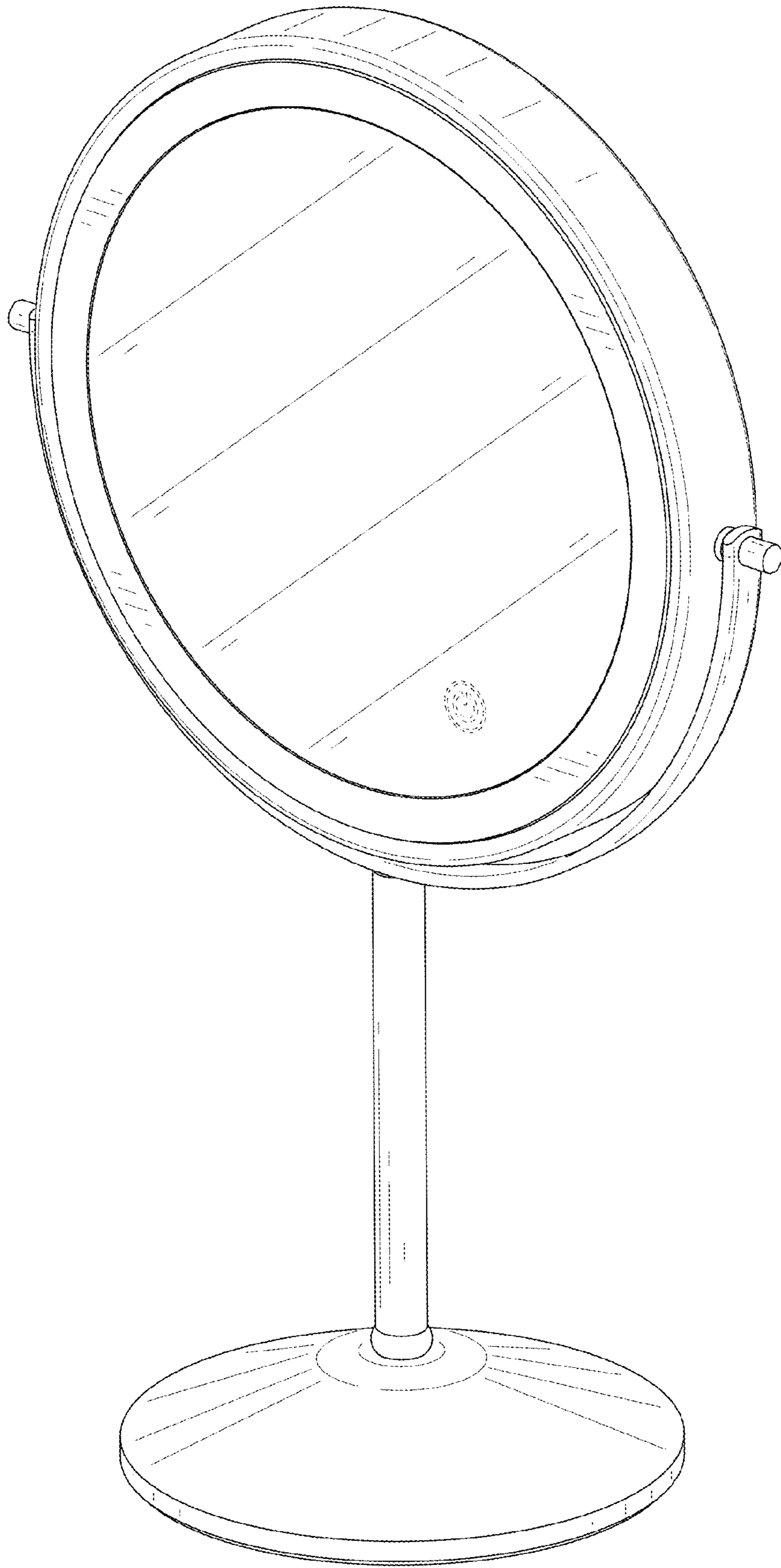


FIG. 10

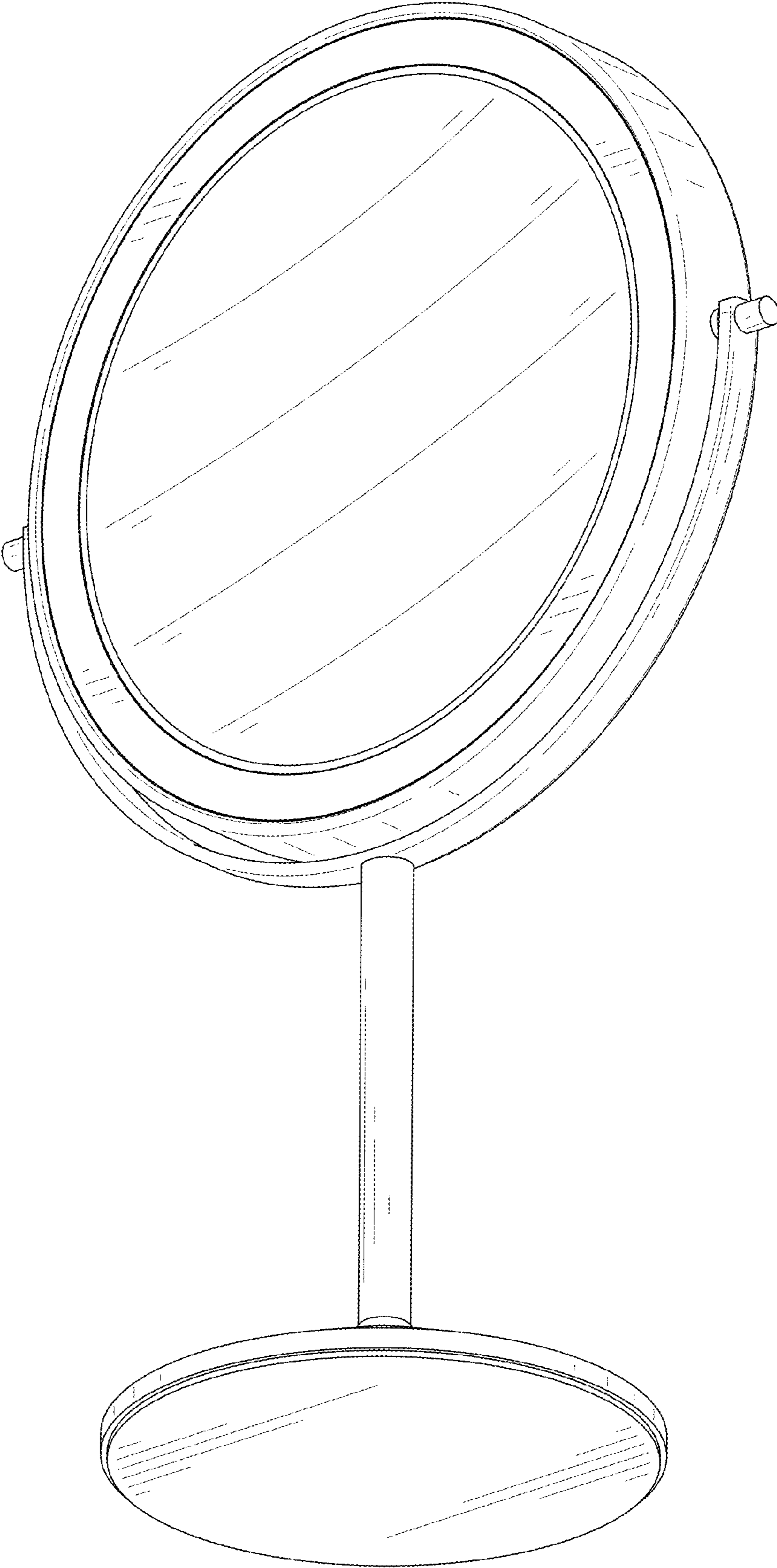


FIG. 11

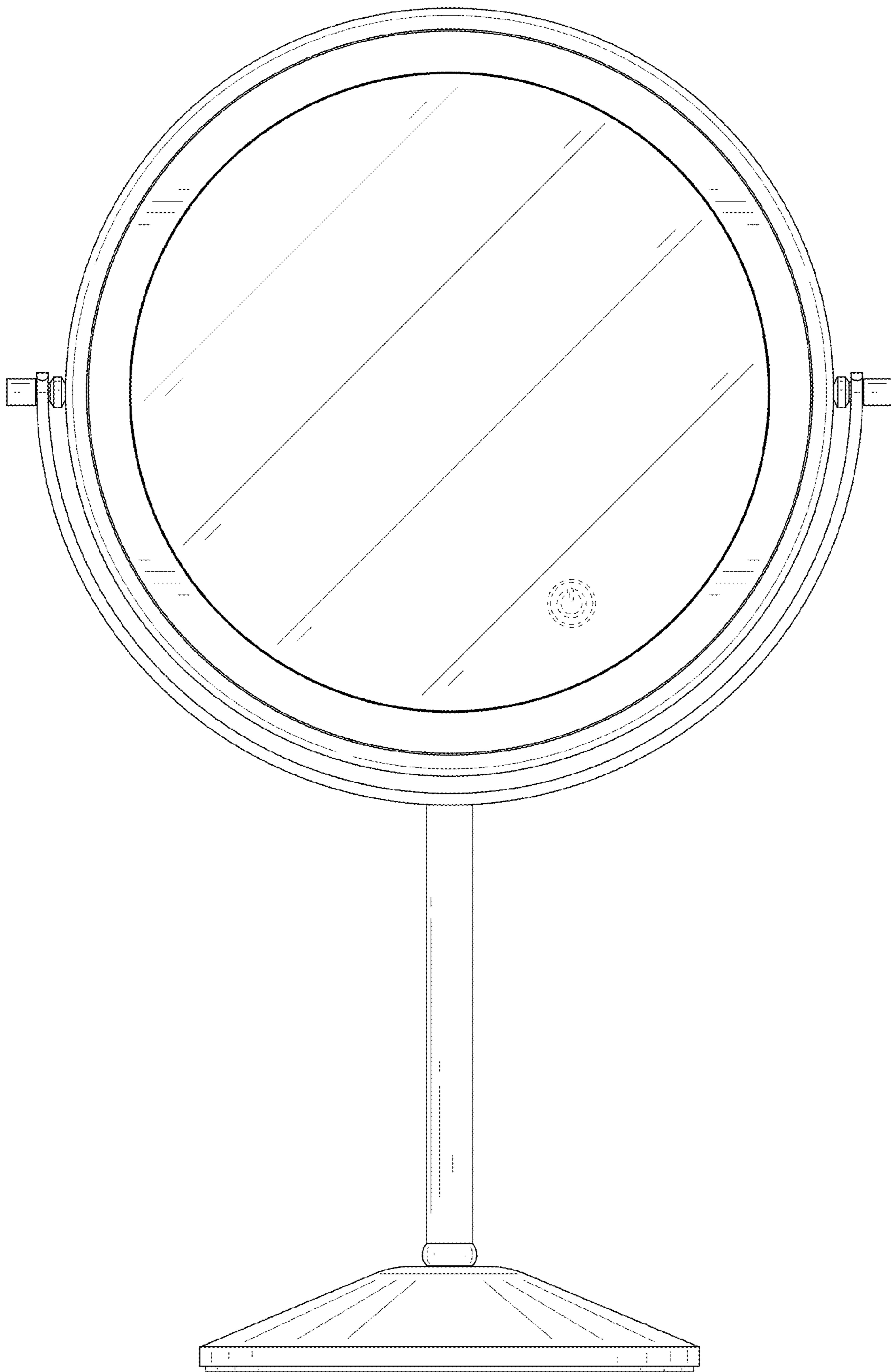


FIG. 12

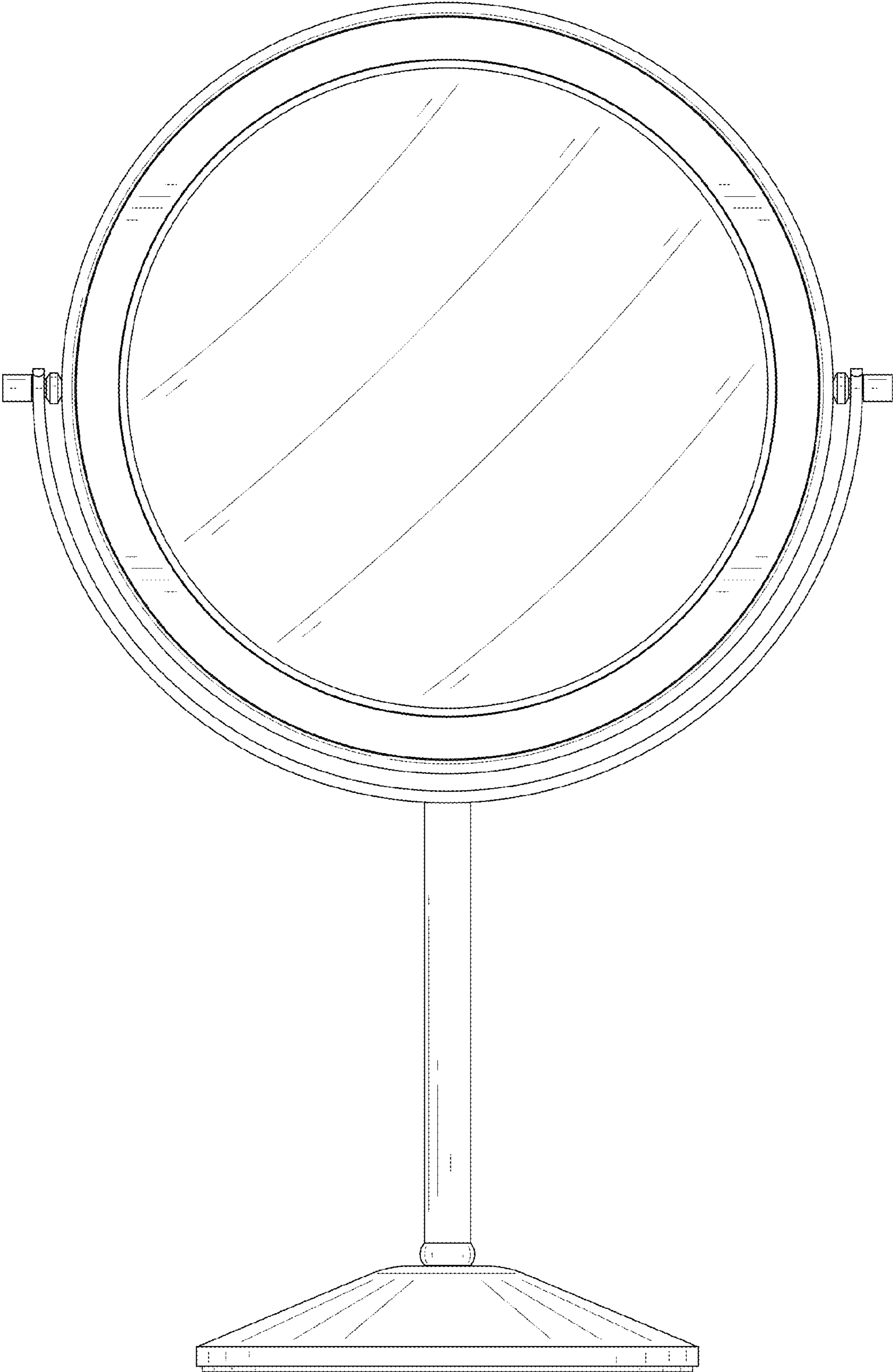


FIG. 13

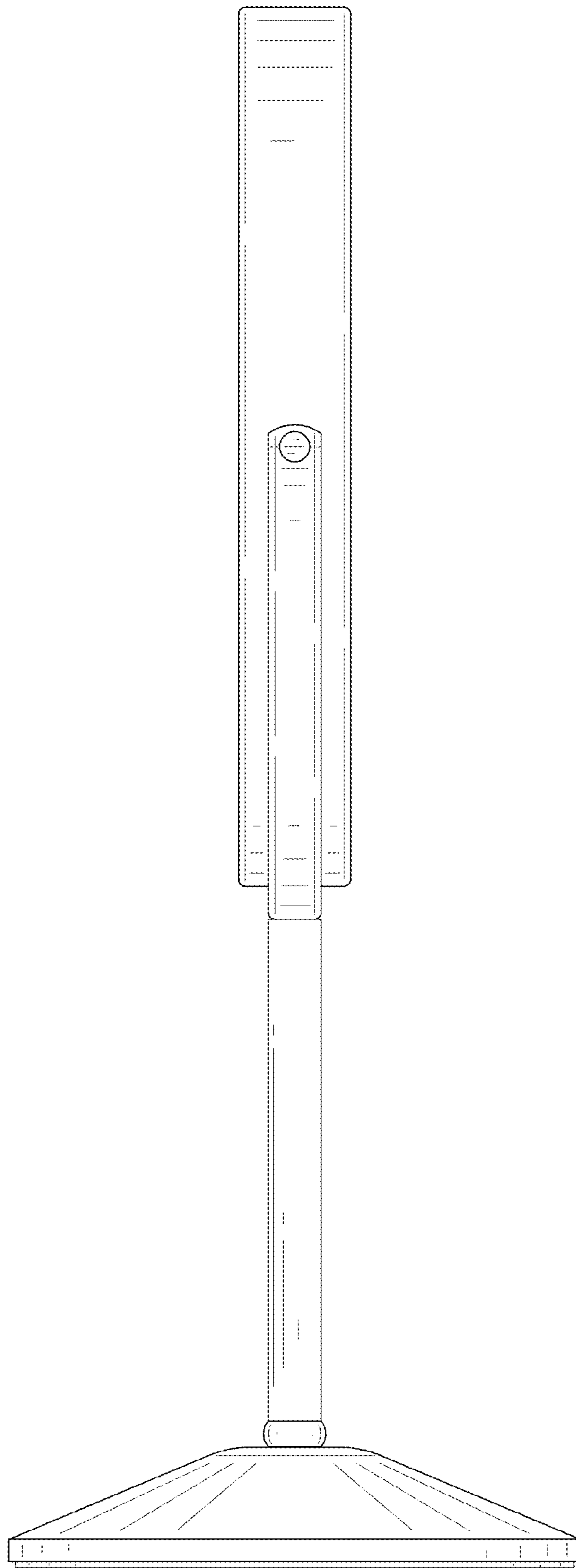


FIG. 14

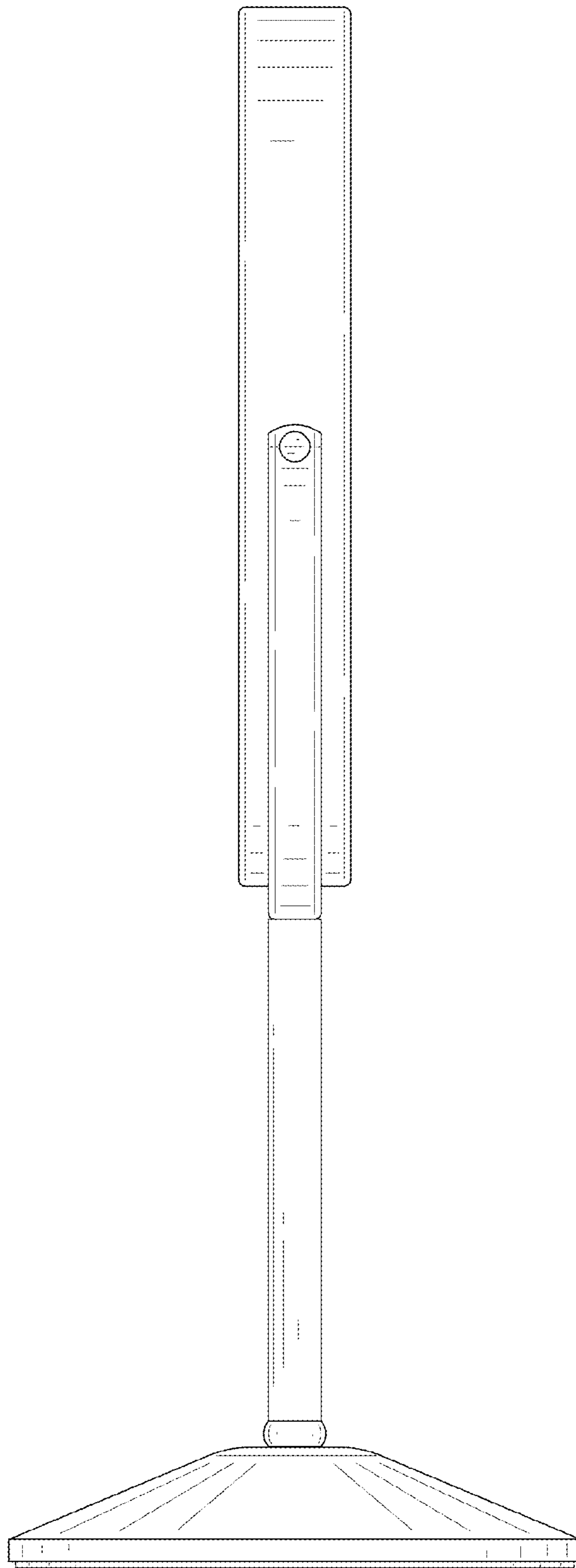


FIG. 15

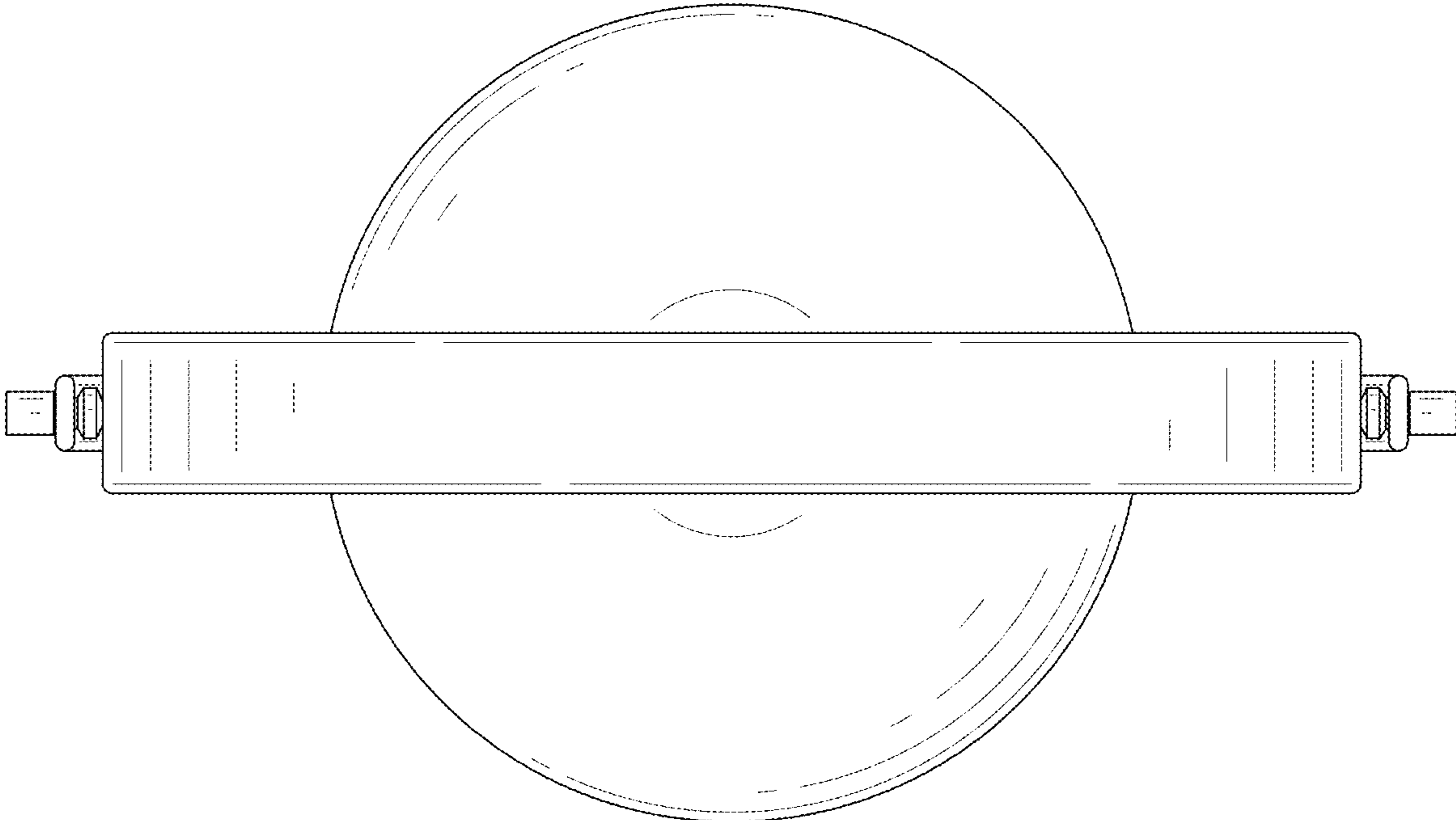


FIG. 16

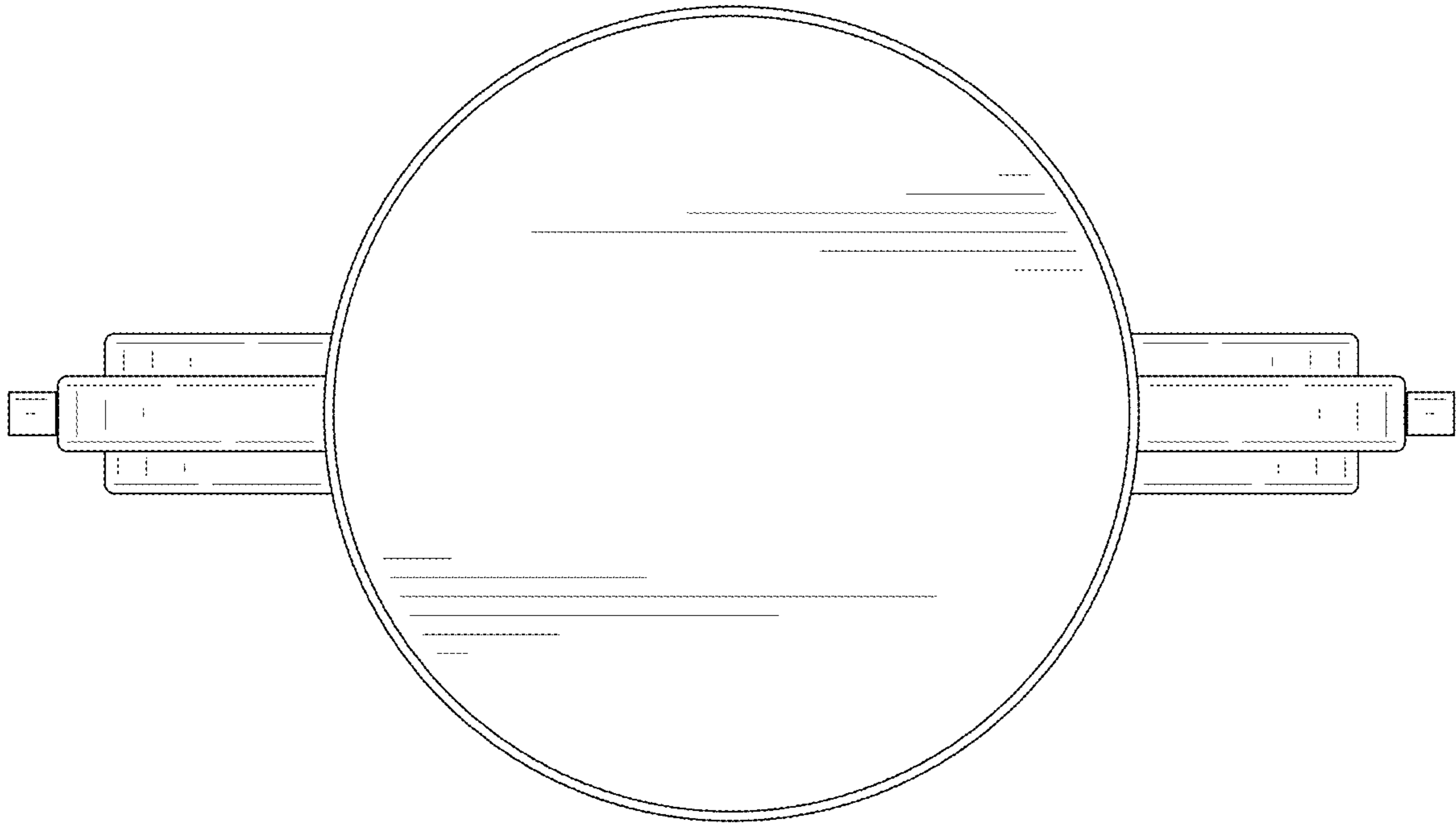


FIG. 17

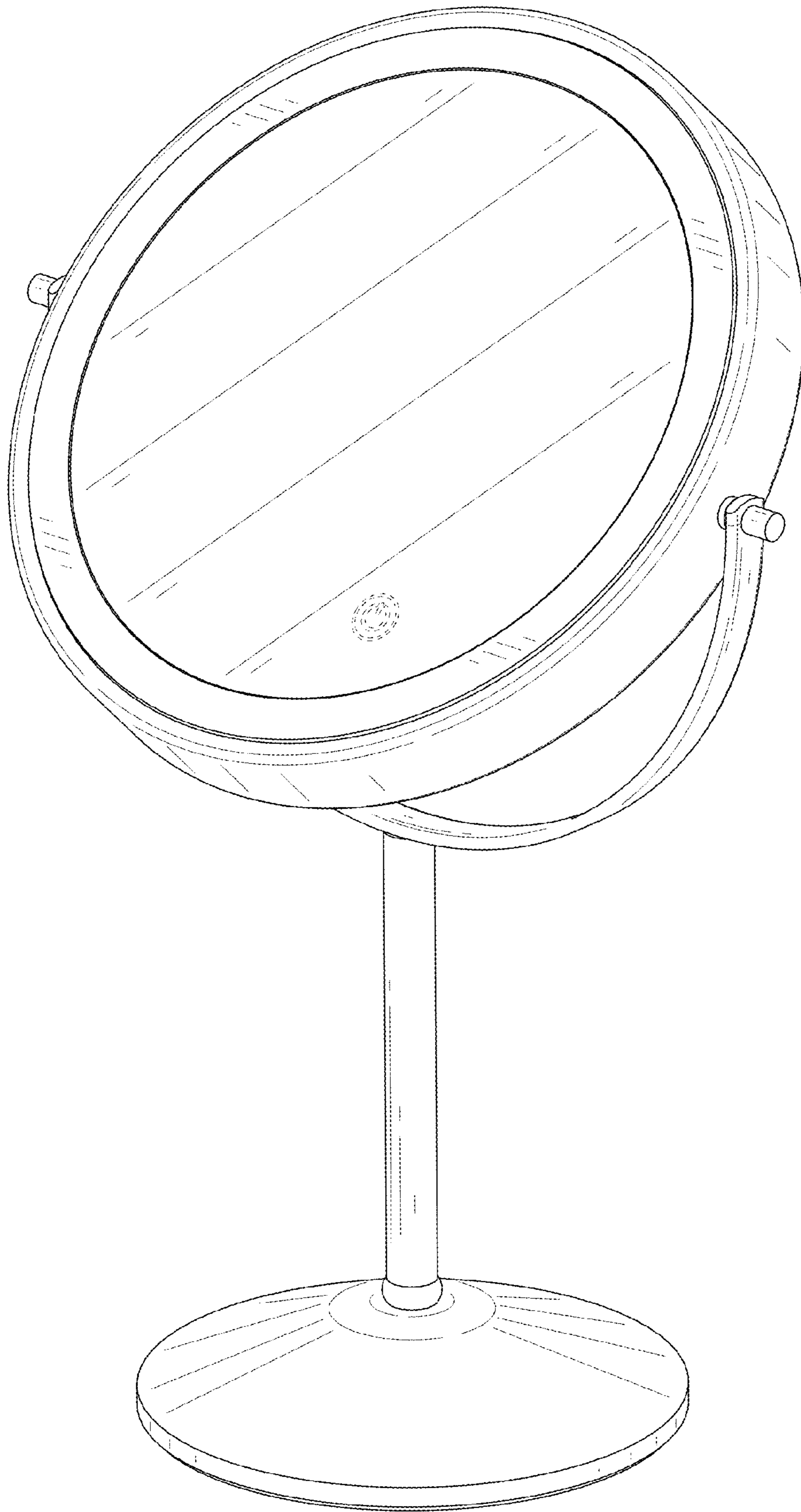


FIG. 18