



US00D932780S

(12) **United States Design Patent** (10) **Patent No.:** **US D932,780 S**  
**Rodriguez et al.** (45) **Date of Patent:** **\*\* Oct. 12, 2021**

(54) **DISH BRUSH**

(71) Applicant: **Helen of Troy Limited**, St. Michael (BB)

(72) Inventors: **Brandon Rodriguez**, Coral Gables, FL (US); **Mason Adam Umholtz**, Sunnyvale, CA (US); **Edward Lee**, Brooklyn, NY (US); **Min Kim**, Jersey City, NJ (US); **Marc-Aurelien Vivant**, Brooklyn, NY (US)

(73) Assignee: **Helen of Troy Limited**, St. Michael (BB)

(\*\*) Term: **15 Years**

(21) Appl. No.: **29/723,381**

(22) Filed: **Feb. 6, 2020**

(51) **LOC (13) Cl.** ..... **04-99**

(52) **U.S. Cl.**  
USPC ..... **D4/138**

(58) **Field of Classification Search**  
USPC ..... D4/100-138; D8/80, 83; D7/688; D30/158, 159  
CPC ..... Y10S 15/00; A46B 2200/3033; A46B 2200/304; A46B 2200/3093; A46B 2200/20; A46B 5/02  
See application file for complete search history.

(56) **References Cited**

**U.S. PATENT DOCUMENTS**

- RE37,190 E \* 5/2001 Stowell ..... B25G 1/10 16/110.1
- D577,202 S \* 9/2008 Meyer ..... D4/119
- D834,896 S \* 12/2018 Appelbaum ..... D7/653
- D910,369 S \* 2/2021 Kim ..... D7/395
- D911,036 S \* 2/2021 Pawluskiewicz ..... D4/134

- D917,245 S \* 4/2021 Kim ..... D7/693
- D927,196 S \* 8/2021 Rodriguez ..... D4/133
- 2015/0135456 A1 \* 5/2015 Kirchhofer ..... B29C 45/1676 15/160

**OTHER PUBLICATIONS**

- RS Dish Brush, announced 2021 [online], [site visited Aug. 24, 2021]. Available from internet, URL: <https://rsquality.com/products/dish-brush-w-scraper.html> (Year: 2021).\*
- Holikme Dish Brush, announced Nov. 24, 2021 [online], [site visited Aug. 24, 2021]. Available from internet, URL: [https://www.amazon.com/Holikme-Kitchen-Cleaning-Bendable-Scouring/dp/B08P2V5C5Q/ref=sr\\_1\\_22](https://www.amazon.com/Holikme-Kitchen-Cleaning-Bendable-Scouring/dp/B08P2V5C5Q/ref=sr_1_22) (Year: 2021).\*
- Dawn Dish Brush, announced 2020 [online], [site visited Aug. 24, 2021]. Available from internet, URL: [https://www.amazon.com/Dawn-Dish-Brush-Square-Head/dp/B005RY6WQA/ref=sr\\_1\\_28](https://www.amazon.com/Dawn-Dish-Brush-Square-Head/dp/B005RY6WQA/ref=sr_1_28) (Year: 2020).\*

(Continued)

*Primary Examiner* — George A Bugg

*Assistant Examiner* — Tamara L Hahn

(74) *Attorney, Agent, or Firm* — Rankin, Hill & Clark LLP

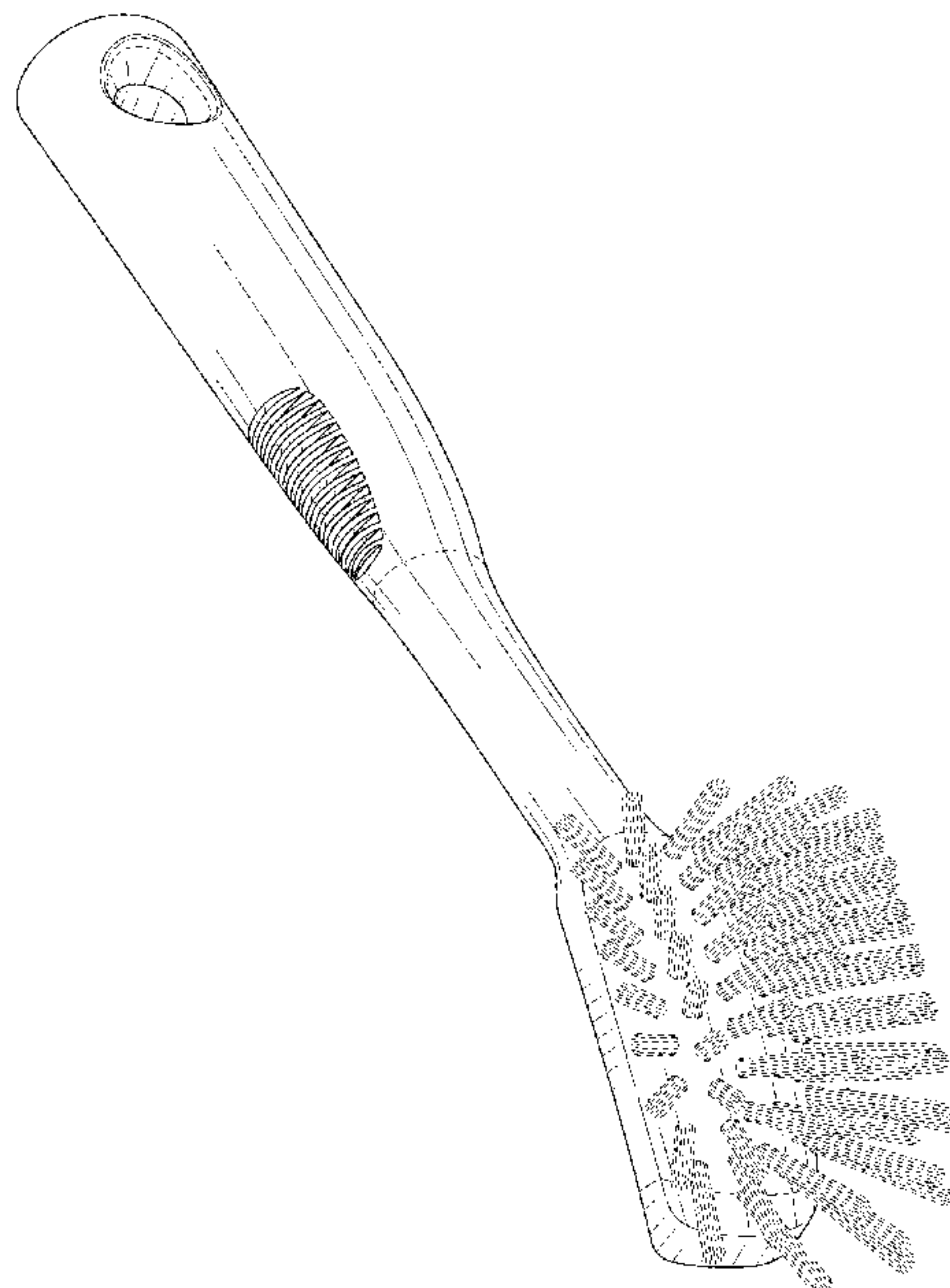
(57) **CLAIM**

The ornamental design for a dish brush, as shown and described.

**DESCRIPTION**

FIG. 1 is a perspective view of a dish brush; FIG. 2 is a rear elevation view thereof; FIG. 3 is a front elevation view thereof; FIG. 4 is a left side elevation view thereof, the right side being a mirror image; FIG. 5 is a top plan view thereof; and, FIG. 6 is a bottom plan view thereof. The broken lines in the drawings depict portions of the dish brush that form no part of the claimed design.

**1 Claim, 6 Drawing Sheets**



(56)

**References Cited**

OTHER PUBLICATIONS

Oxo Steel Dish Brush, [online], publicly available prior to Feb. 6, 2020. [Retrieved from the Internet Apr. 26, 2021] <URL: [https://www.amazon.com/OXO-3203300-Steel-Dish-Brush/dp/B001QTVXK0/ref=asc\\_df\\_B001QTVXK0/?tag=hyprod-20&linkCode=df0&hvadid=167151917164&hvpos=&hvnetw=g&hvrnd=18356052216807681895&hvpon=&hvptwo=&hvqmt=&hvdev=c&hvdvcmdl=&hvlocint=&hvlocphy=9028692&hvtargid=pla-274489639871&psc=1](https://www.amazon.com/OXO-3203300-Steel-Dish-Brush/dp/B001QTVXK0/ref=asc_df_B001QTVXK0/?tag=hyprod-20&linkCode=df0&hvadid=167151917164&hvpos=&hvnetw=g&hvrnd=18356052216807681895&hvpon=&hvptwo=&hvqmt=&hvdev=c&hvdvcmdl=&hvlocint=&hvlocphy=9028692&hvtargid=pla-274489639871&psc=1)>.

Oxo Dish Brush, [online], publicly available prior to Feb. 6, 2020. [Retrieved from the Internet Apr. 26, 2021] <URL: <https://www.target.com/p/oxo-dish-brush/-/A-80221510>>.

Oxo International 21691 Kitchen Brush, [online], publicly available prior to Feb. 6, 2020. [Retrieved from the Internet Apr. 26, 2021] <URL: <https://www.walmart.com/ip/Oxo-International-21691-Kitchen-Brush/39918464>>.

\* cited by examiner

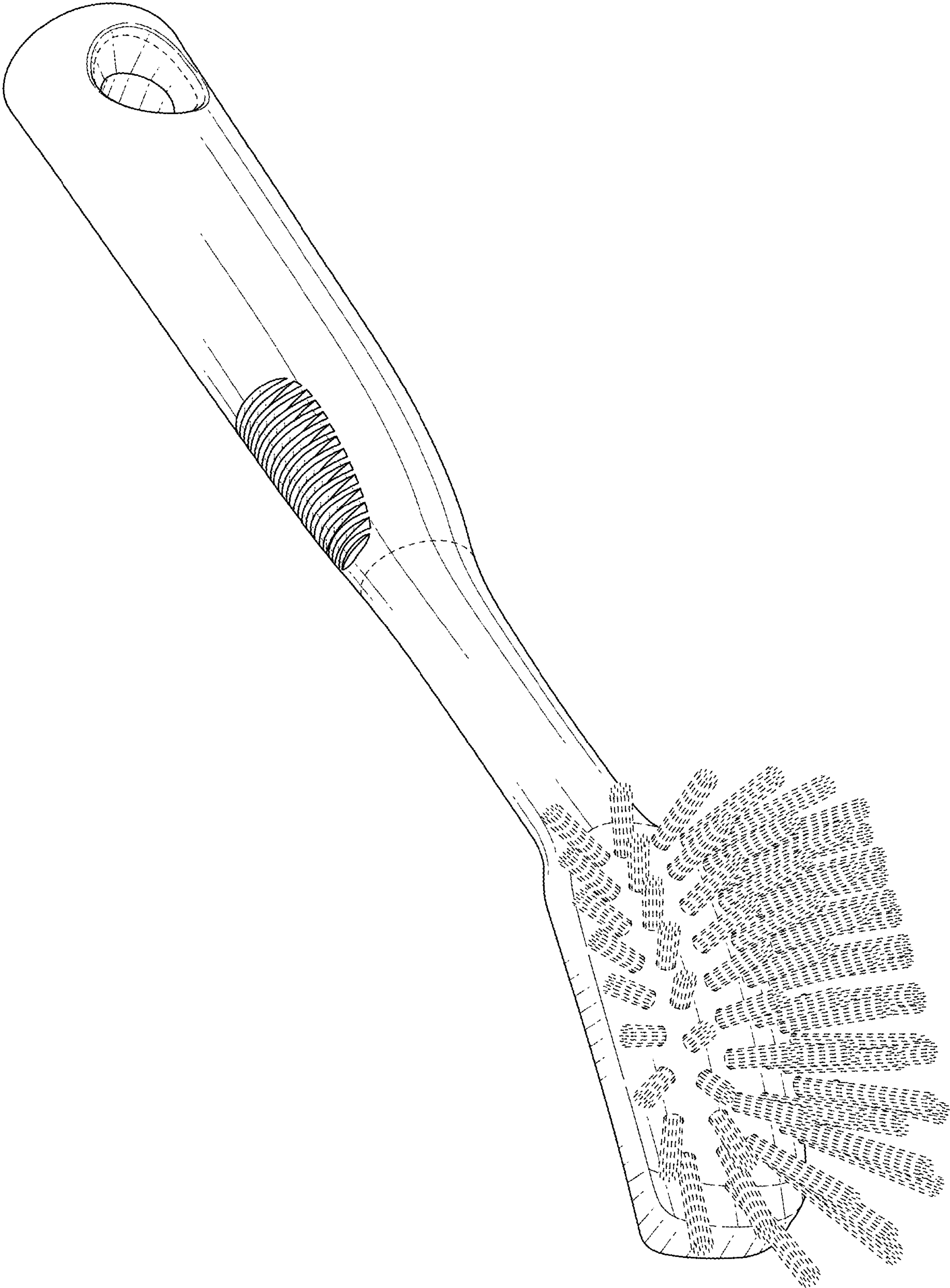


FIG. 1

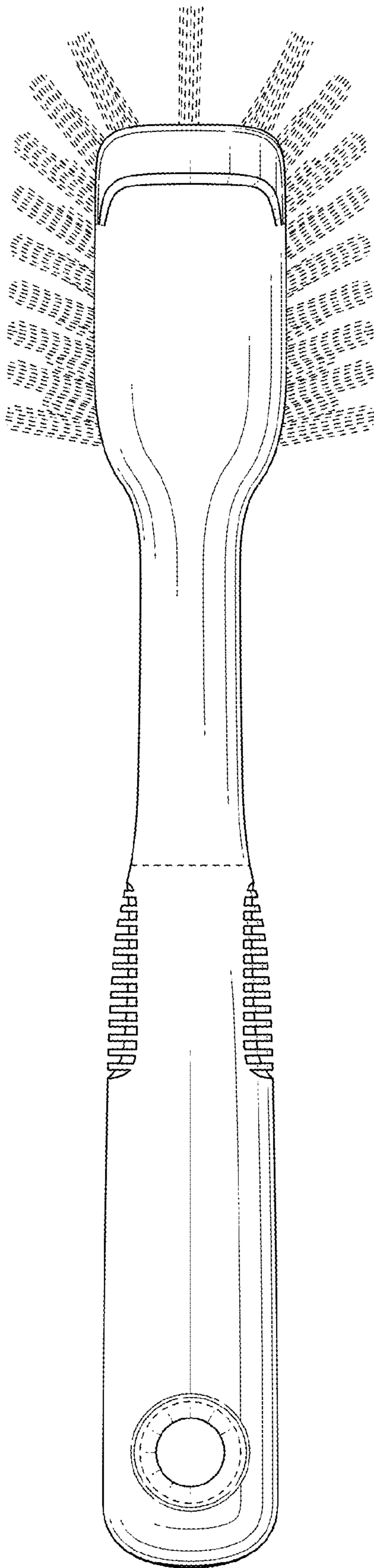


FIG. 2



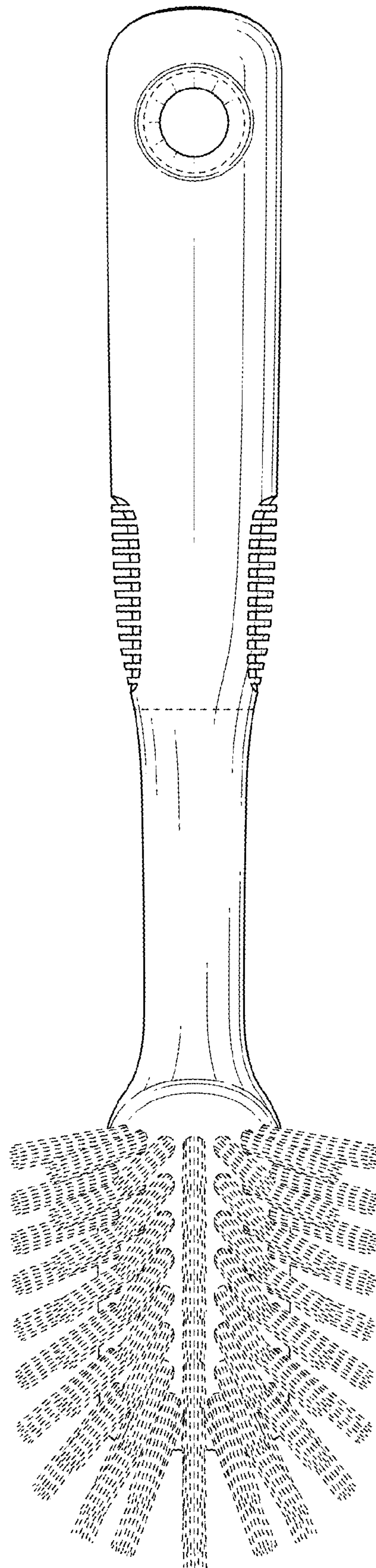


FIG. 3

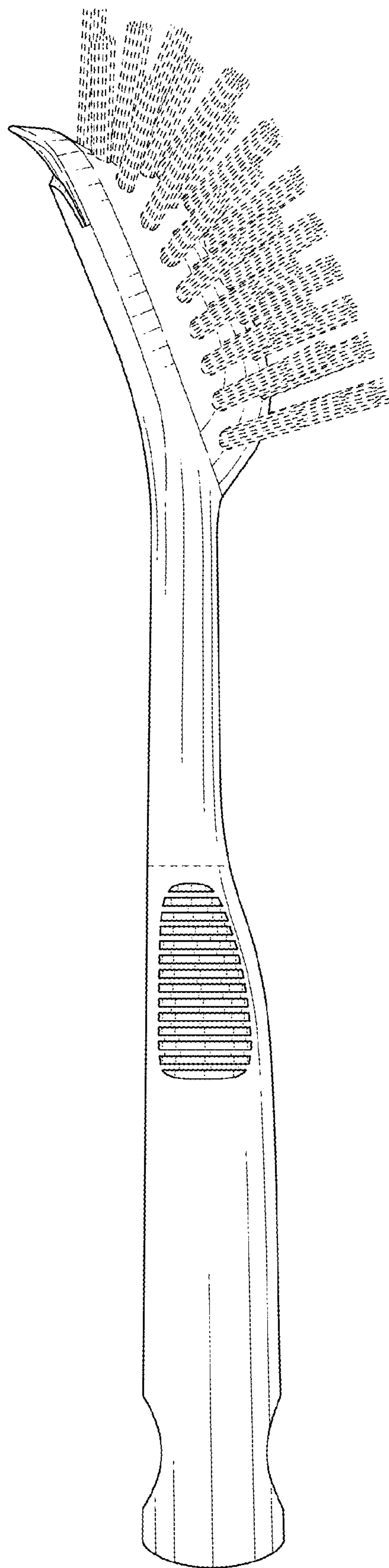


FIG. 4

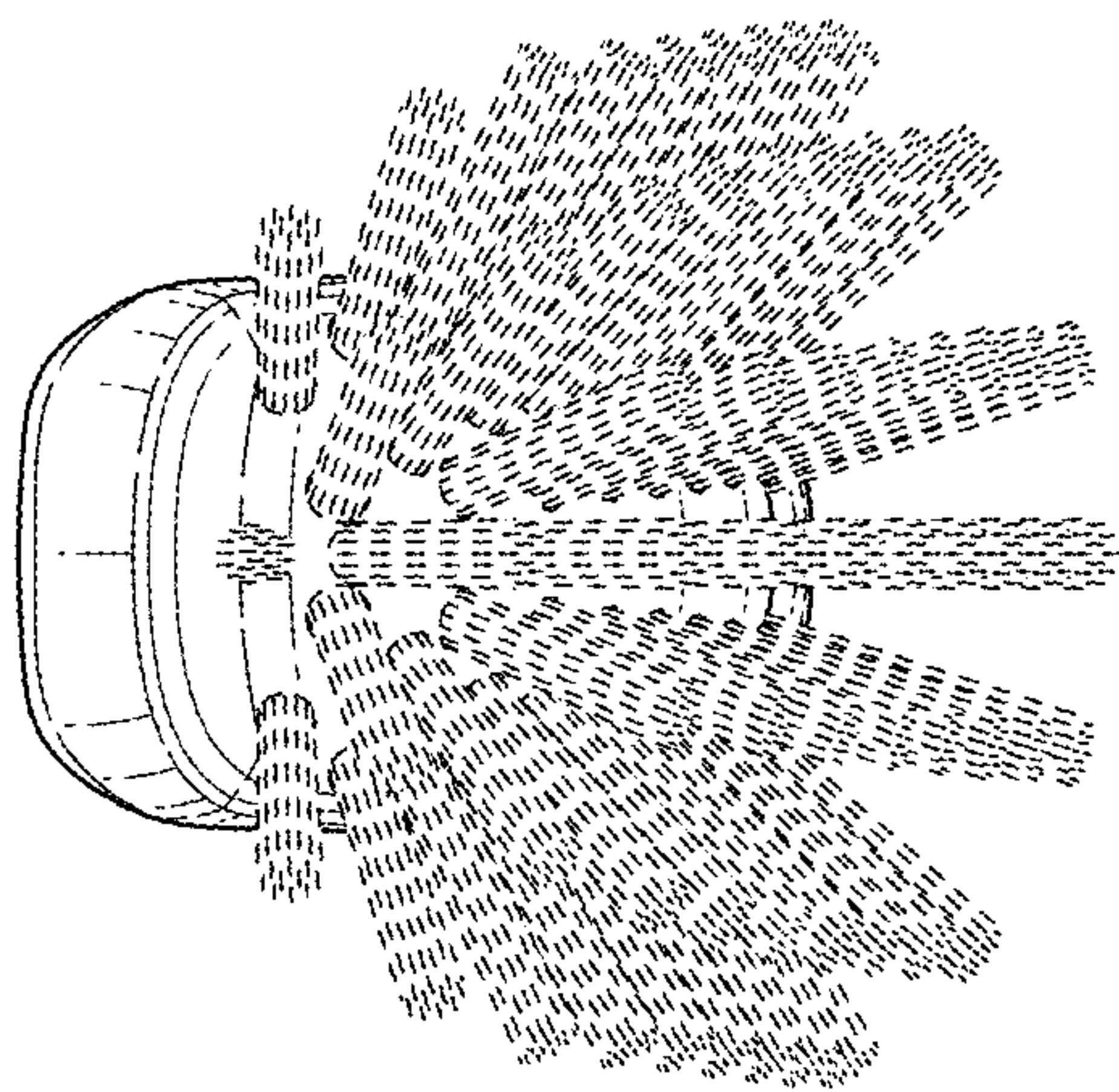


FIG. 5

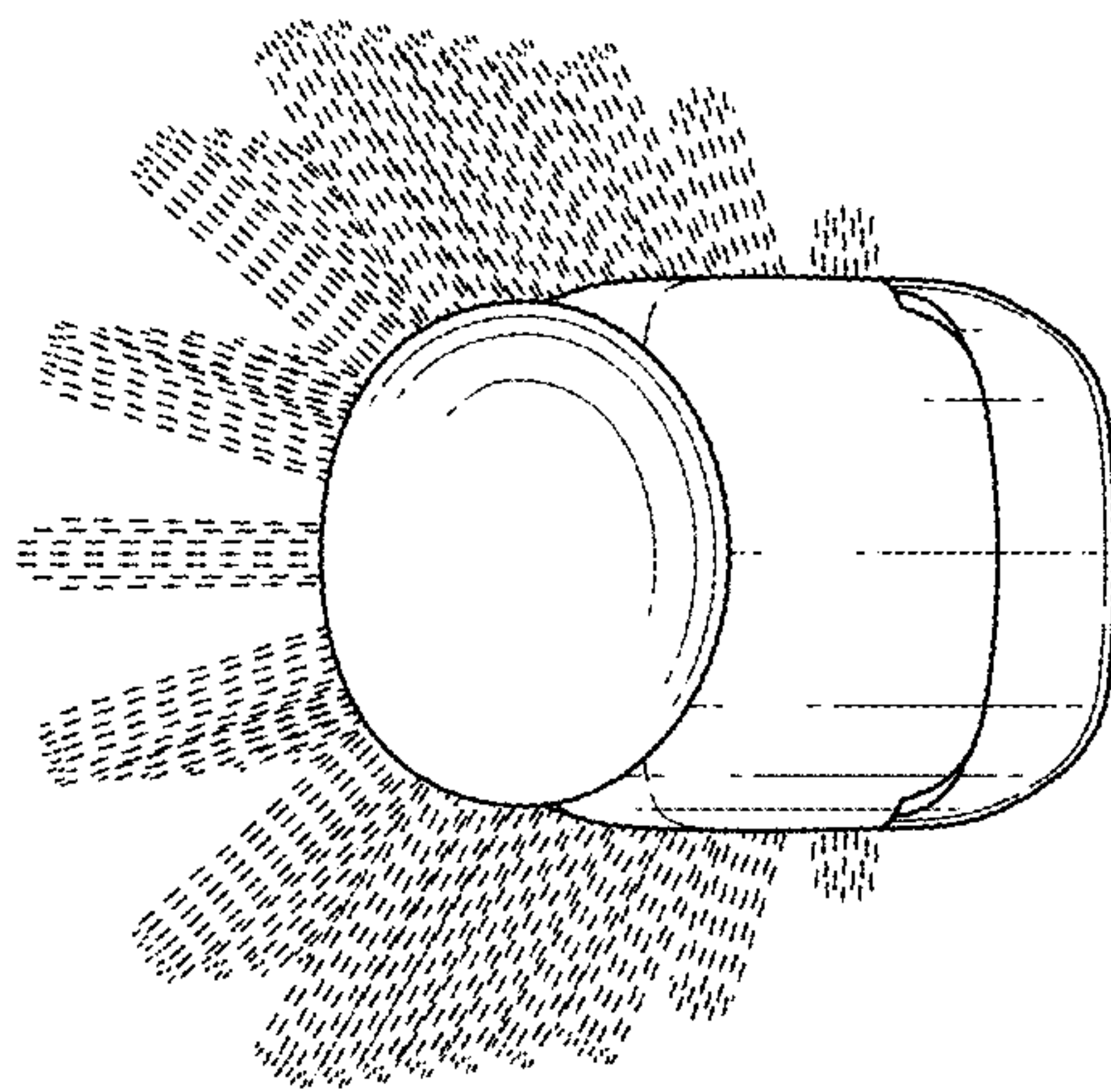


FIG. 6