



US00D932779S

(12) **United States Design Patent**
Choi

(10) **Patent No.:** **US D932,779 S**

(45) **Date of Patent:** **** Oct. 12, 2021**

(54) **COMBINED BABY BRUSH AND COMB**

(71) Applicant: **Baby Tress, Inc.**, New York, NY (US)

(72) Inventor: **Hannah Choi**, Moonachie, NJ (US)

(73) Assignee: **Baby Tress, Inc.**, New York, NY (US)

(**) Term: **15 Years**

(21) Appl. No.: **29/740,321**

(22) Filed: **Jul. 2, 2020**

Related U.S. Application Data

(62) Division of application No. 29/631,507, filed on Dec. 29, 2017, now Pat. No. Des. 890,529.

(51) **LOC (13) Cl.** **04-01**

(52) **U.S. Cl.**
USPC **D4/120**

(58) **Field of Classification Search**
USPC D4/120, 117, 138, 134, 135, 104, 106,
D4/108; D28/65

CPC A46B 9/04; A46B 5/02; A46B 7/04; A46B
9/023

See application file for complete search history.

(56) **References Cited**

U.S. PATENT DOCUMENTS

2,304,319	A *	12/1942	Saltzman	A46B 5/02 15/167.1
D146,271	S *	1/1947	Stavely	D4/104
D160,604	S *	10/1950	Hutson	D4/104
D197,506	S *	2/1964	Lardenois	D4/134
3,133,546	A *	5/1964	Dent	A46B 9/023 132/120
D217,755	S *	6/1970	Schotland	D4/134
D224,187	S *	7/1972	Klepper	D4/104
D240,677	S *	7/1976	Thompson	D4/104
4,542,552	A *	9/1985	d'Argembeau	A46B 5/02 15/167.1

4,589,159	A	5/1986	Streibel		
4,724,570	A *	2/1988	Hitzman	A46B 9/04 15/110
5,054,154	A	10/1991	Schiffer		
5,058,230	A *	10/1991	Hodosh	A46B 7/04 15/167.1
D334,474	S	4/1993	Sauceda		
D341,254	S *	11/1993	Knox	D4/106
D350,440	S	9/1994	Lemon		
5,412,831	A	5/1995	Mongelluzzo		
5,459,898	A *	10/1995	Bacolot	A46B 9/04 15/106
D363,820	S	11/1995	Winge		
5,497,526	A	3/1996	Klinkhammer		
D387,204	S *	12/1997	Nicholson	D4/104
D419,305	S	1/2000	Porter		
D438,386	S	3/2001	Enriquez		
D459,583	S	7/2002	Messenger		
6,883,200	B1	4/2005	Euler		

(Continued)

Primary Examiner — Rhea Shields

(74) *Attorney, Agent, or Firm* — Perkins Coie LP

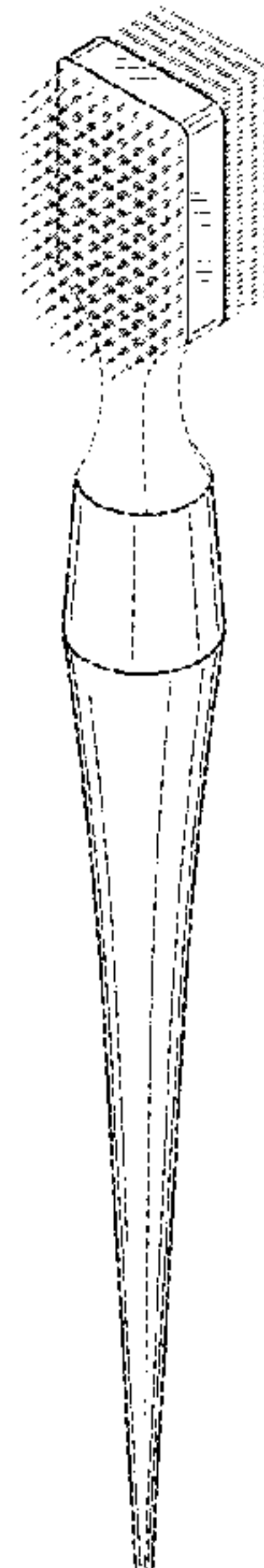
(57) **CLAIM**

The ornamental design for a combined baby brush and comb, as shown and described.

DESCRIPTION

FIG. 1 is a perspective view of the combined baby brush and comb, showing my new design;
FIG. 2 is a front view thereof;
FIG. 3 is a back view thereof;
FIG. 4 is a right side view thereof;
FIG. 5 is a left side view thereof;
FIG. 6 is a top plan view thereof; and,
FIG. 7 is a bottom plan view thereof.
In the drawings, the broken lines are for the purpose of illustrating portions of the combination baby brush and comb that forms no part of the claimed design.

1 Claim, 4 Drawing Sheets



(56)

References Cited

U.S. PATENT DOCUMENTS

D531,812	S	11/2006	Jansheski	
D575,004	S *	8/2008	Jansheski	D28/65
D584,513	S *	1/2009	Sherman	D4/135
D614,870	S *	5/2010	Buda	D4/108
7,913,347	B2	3/2011	Wong	
D654,271	S	2/2012	Hayes	
D761,025	S	7/2016	Hinckley	
9,452,037	B2	9/2016	Edwards	
D813,553	S *	3/2018	Ford	D4/134
D866,984	S *	11/2019	Odum	D4/117
D866,986	S *	11/2019	Nicoline	D4/138
D890,529	S *	7/2020	Choi	D4/120
D892,507	S *	8/2020	Odum	D4/117
2006/0080799	A1	4/2006	Lucente	

* cited by examiner

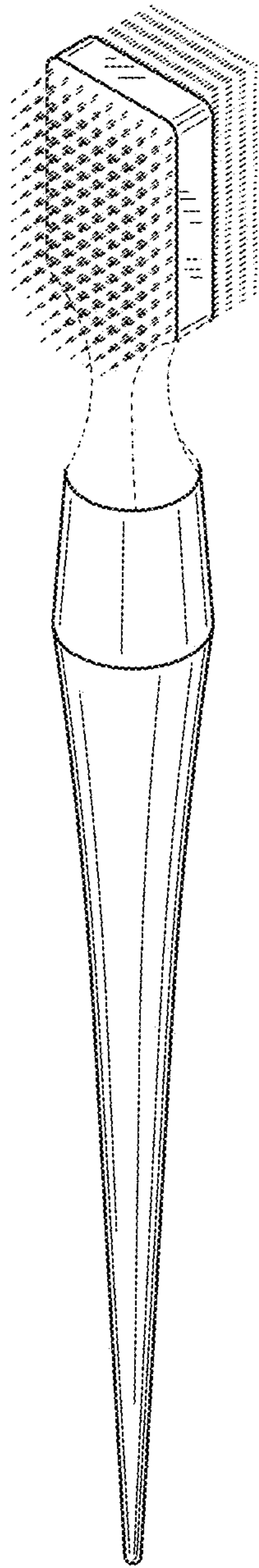


FIG. 1

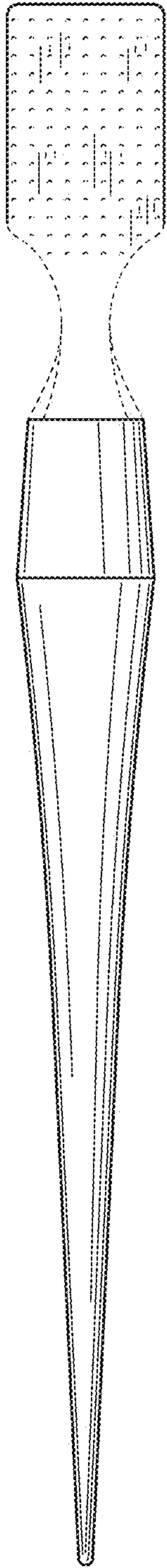


FIG. 2

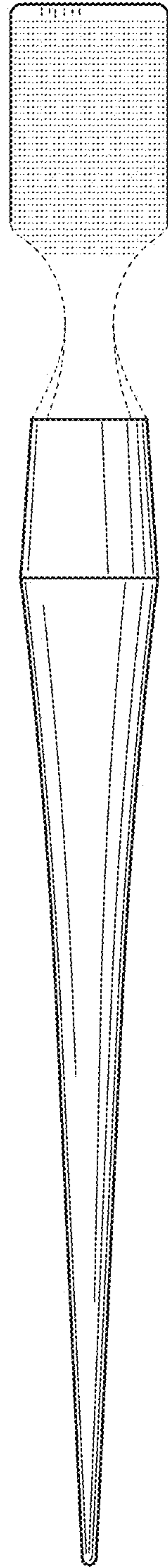


FIG. 3

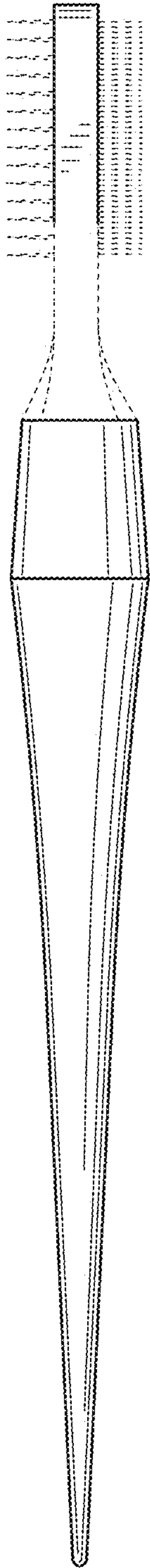


FIG. 4

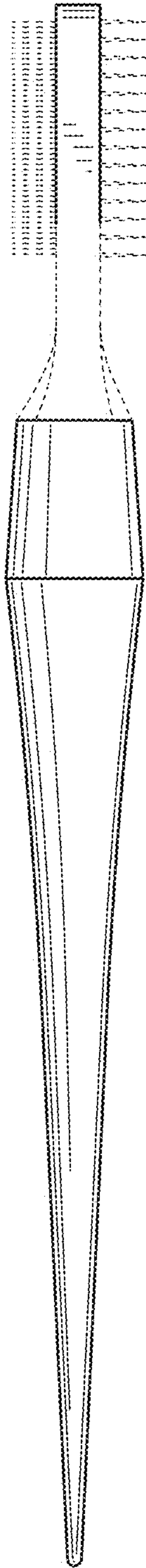


FIG. 5

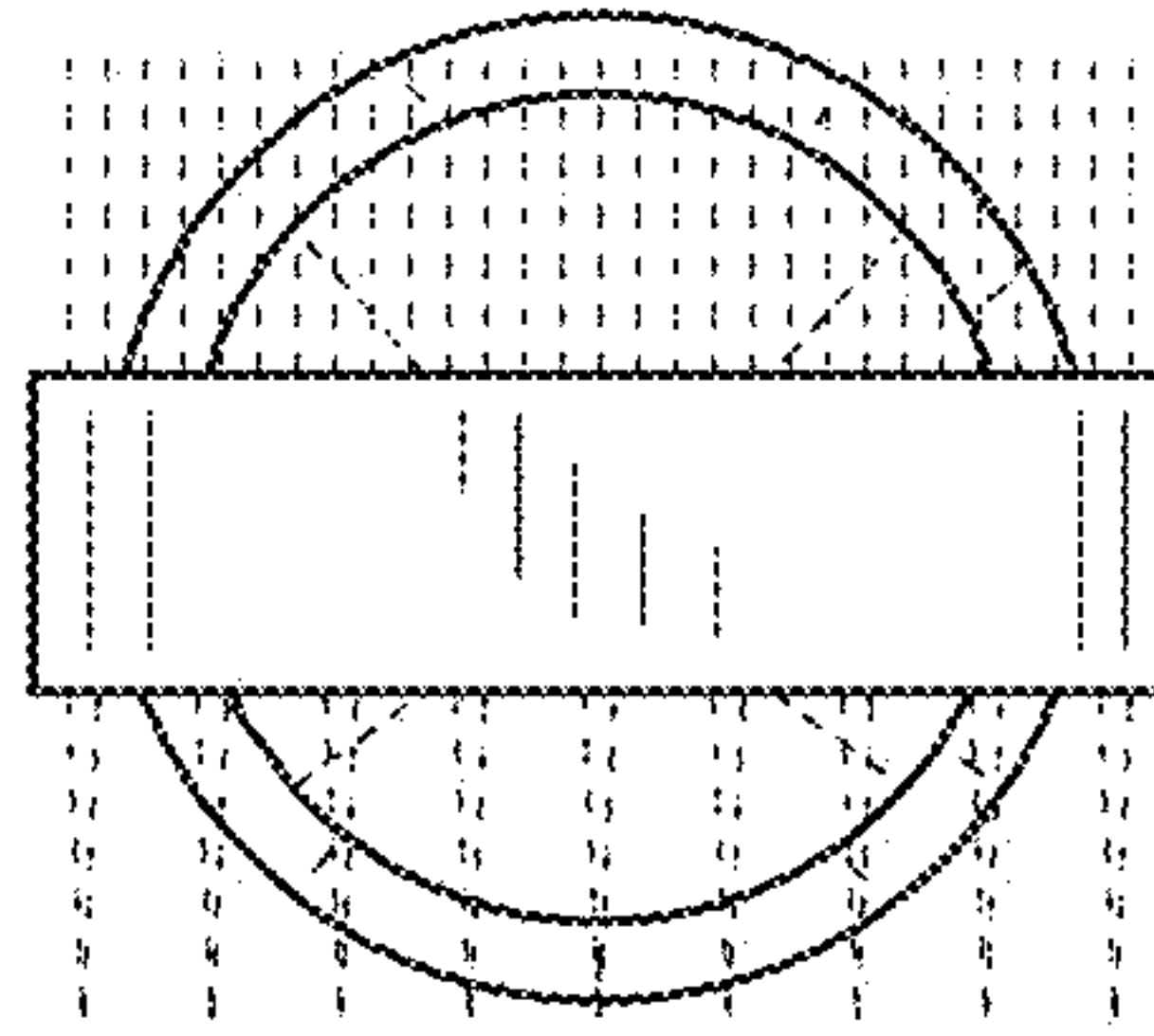


FIG. 6

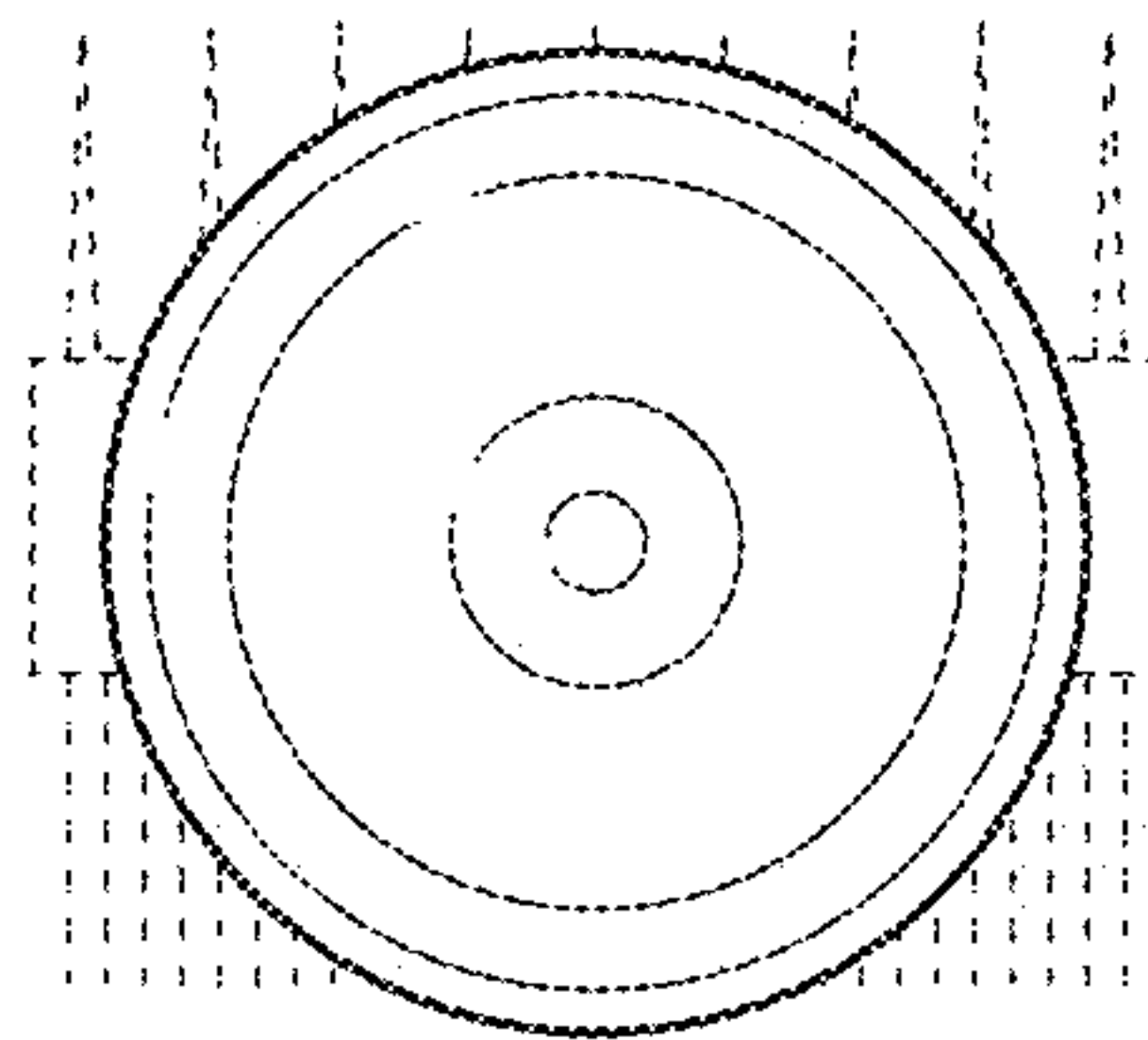


FIG. 7