



US00D932778S

(12) **United States Design Patent**
Jing

(10) **Patent No.:** **US D932,778 S**

(45) **Date of Patent:** **** Oct. 12, 2021**

(54) **ELECTRIC ROTARY SCRUBBING BRUSH**

(71) Applicant: **Ningbo Forward Plastic Co., Ltd.**,
Zhejiang (CN)

(72) Inventor: **Weilie Jing**, Guangdong (CN)

(73) Assignee: **Ningbo Forward Plastic Co., Ltd.**,
Yuyao (CN)

(**) Term: **15 Years**

(21) Appl. No.: **29/768,663**

(22) Filed: **Jan. 31, 2021**

(51) **LOC (13) Cl.** **28-03**

(52) **U.S. Cl.**
USPC **D4/102**

(58) **Field of Classification Search**
USPC D4/100, 102, 121, 127, 126, 128, 129,
D4/130, 132, 133, 134, 135, 136, 138,
D4/199; D24/211, 214, 215; D30/158,
D30/159, 160; D32/35
CPC A46B 2200/1006; A46B 2200/102; A46B
2200/10
See application file for complete search history.

(56) **References Cited**

U.S. PATENT DOCUMENTS

D301,398 S * 6/1989 Cheung D32/14.1
D376,694 S * 12/1996 Aiyar D4/102
D381,139 S * 7/1997 Johnson D32/19
D409,335 S * 5/1999 Slater D28/58
6,270,278 B1 * 8/2001 Mauro A46B 7/04
401/282
D515,818 S * 2/2006 Groblebe D4/115
D693,932 S * 11/2013 Nichols D24/214

D703,825 S * 4/2014 Barrett D24/200
D720,933 S * 1/2015 Albers D4/120
D736,399 S * 8/2015 Nichols D24/214
D750,893 S * 3/2016 Owen D4/100
D804,826 S * 12/2017 Kling D4/127
D851,407 S * 6/2019 Brown D4/127
10,531,729 B1 * 1/2020 Liu A46B 5/0095

FOREIGN PATENT DOCUMENTS

CN 305762064 * 5/2020

* cited by examiner

Primary Examiner — Karen E Eldridge Powers

(74) *Attorney, Agent, or Firm* — Dragon Sun Law Firm,
PC; Jinggao Li, Esq.

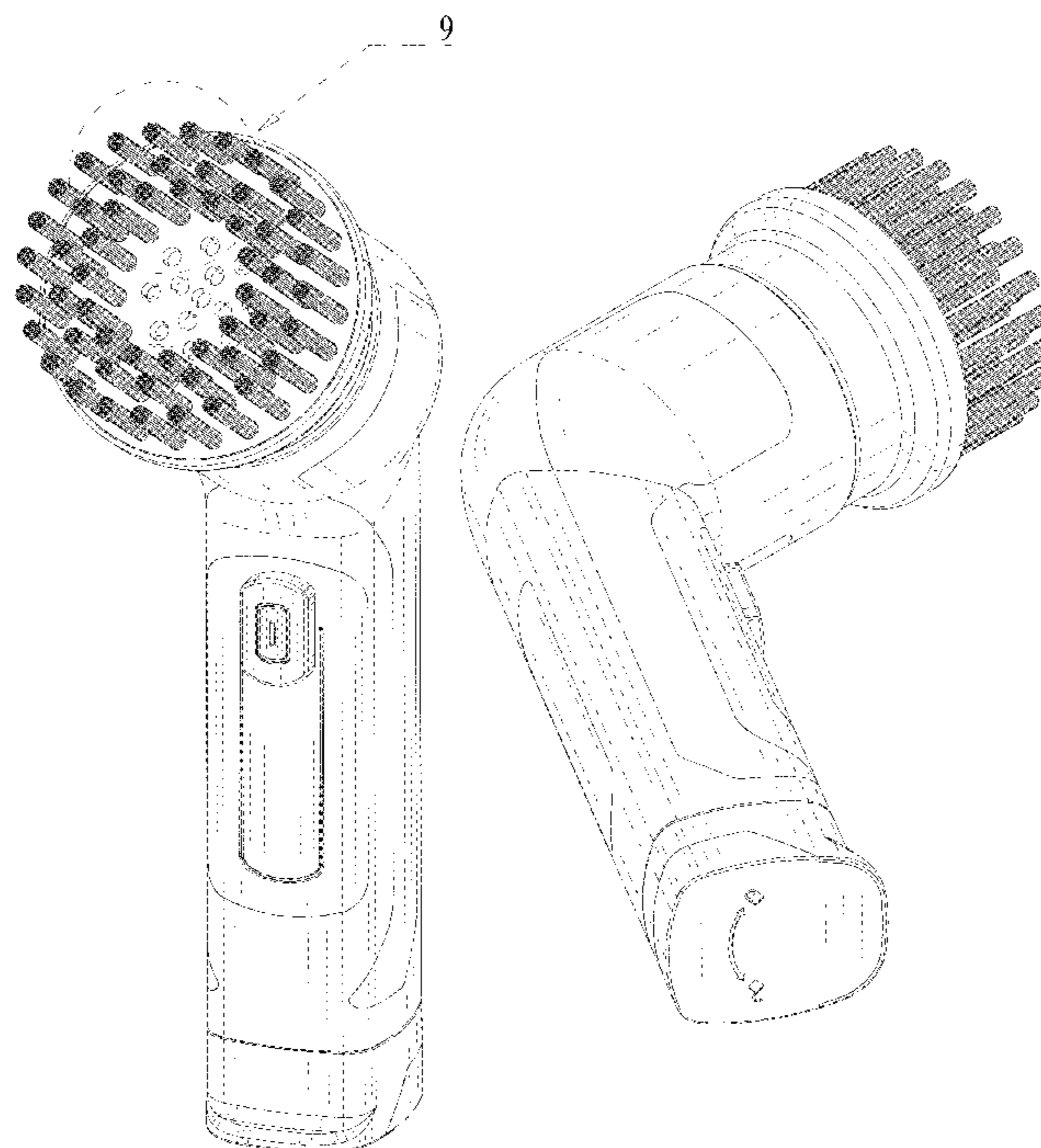
(57) **CLAIM**

The ornamental design for an electric rotary scrubbing brush, as shown and described.

DESCRIPTION

FIG. 1 is a front and left perspective view of an electric rotary scrubbing brush showing my new design; FIG. 2 is a back and right perspective view thereof; FIG. 3 is a front elevation view thereof; FIG. 4 is a rear elevation view thereof; FIG. 5 is a left side elevation view thereof; FIG. 6 is a right side elevation view thereof; FIG. 7 is a top plan view thereof; FIG. 8 is a bottom plan view thereof; FIG. 9 is an enlarged view of a portion of FIG. 1; and, FIG. 10 is an enlarged view of a portion of FIG. 5. The broken lines in the figures depict portions of the electric rotary scrubbing brush and form no part of the claimed design.

1 Claim, 10 Drawing Sheets



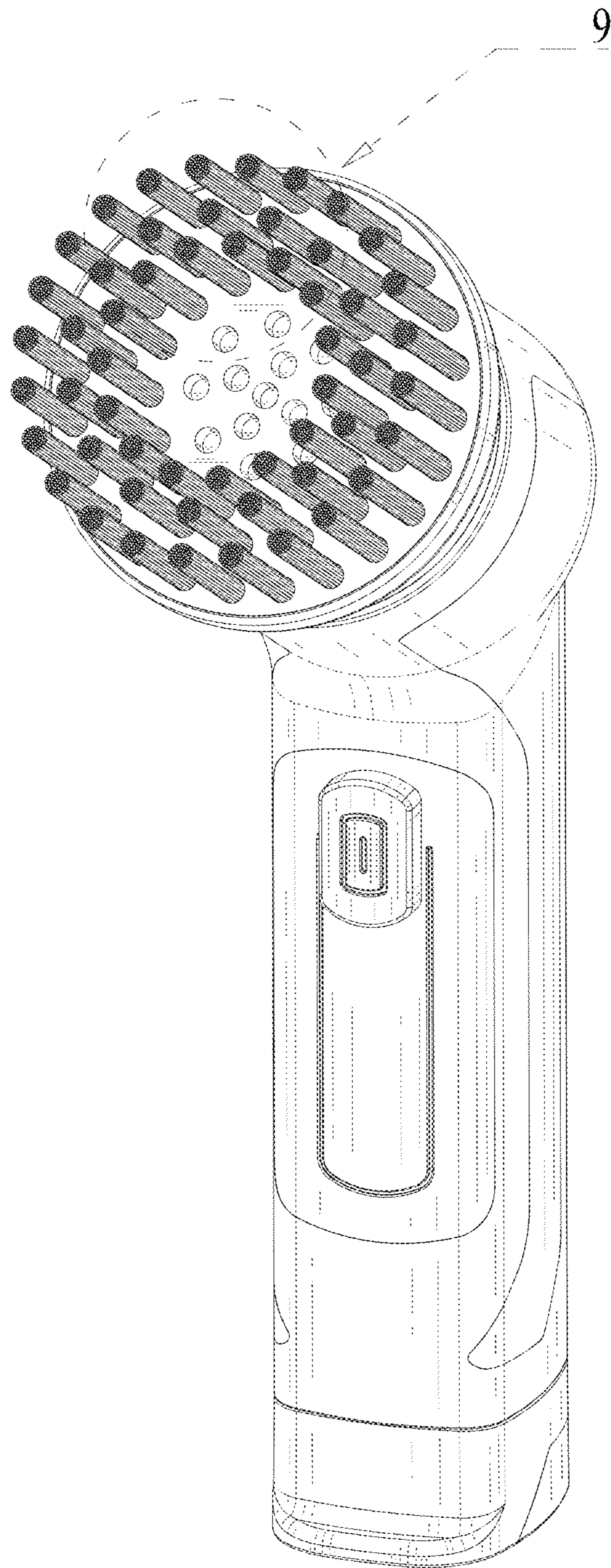


FIG. 1

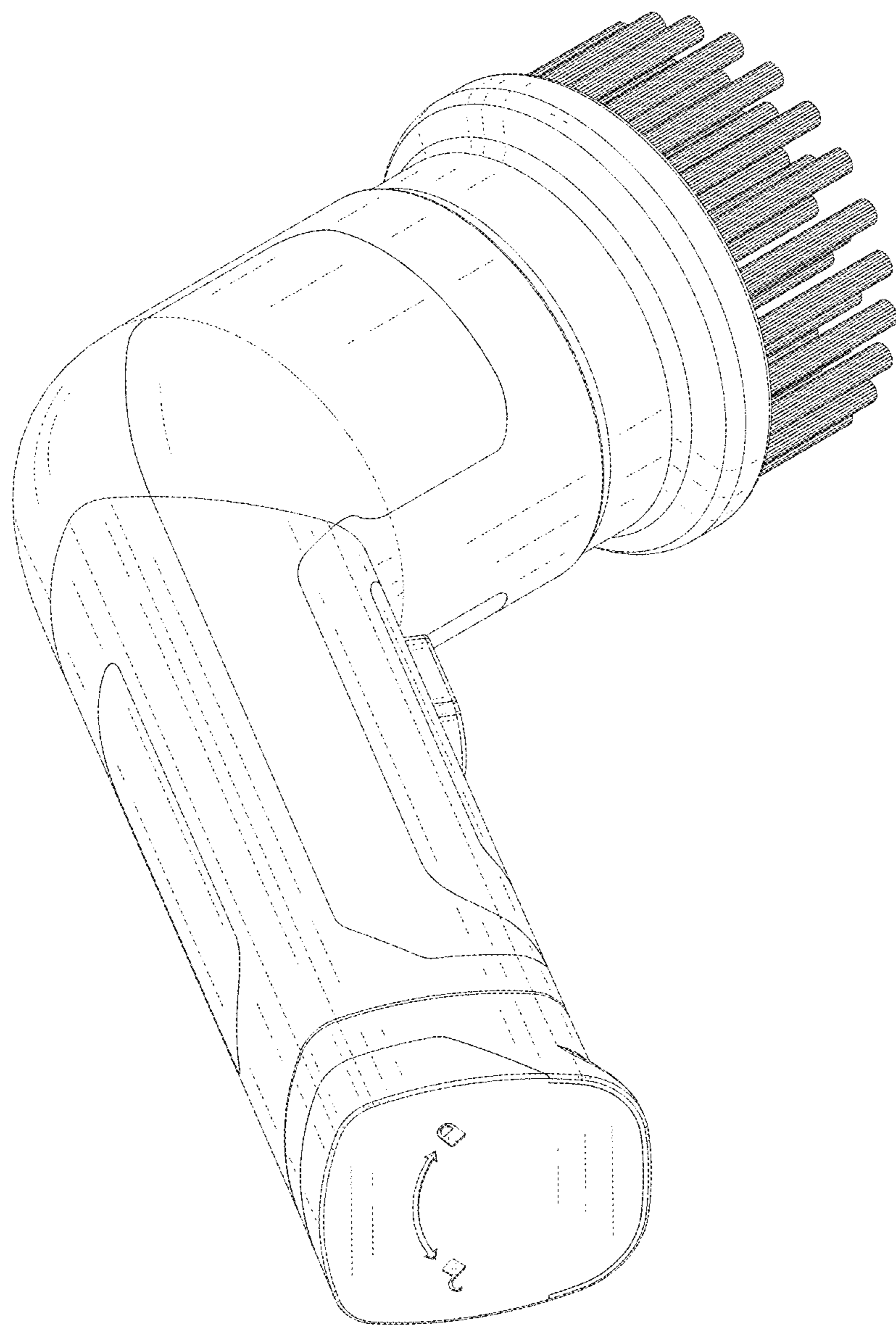


FIG. 2

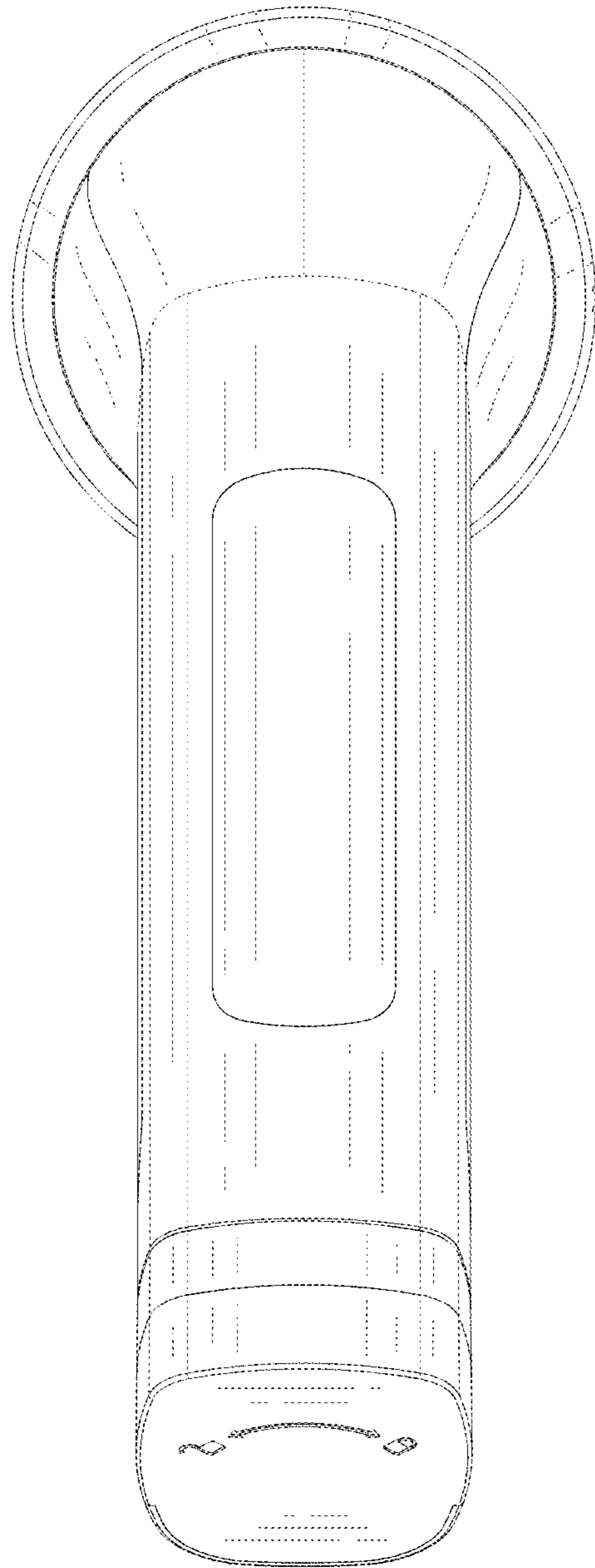


FIG. 3

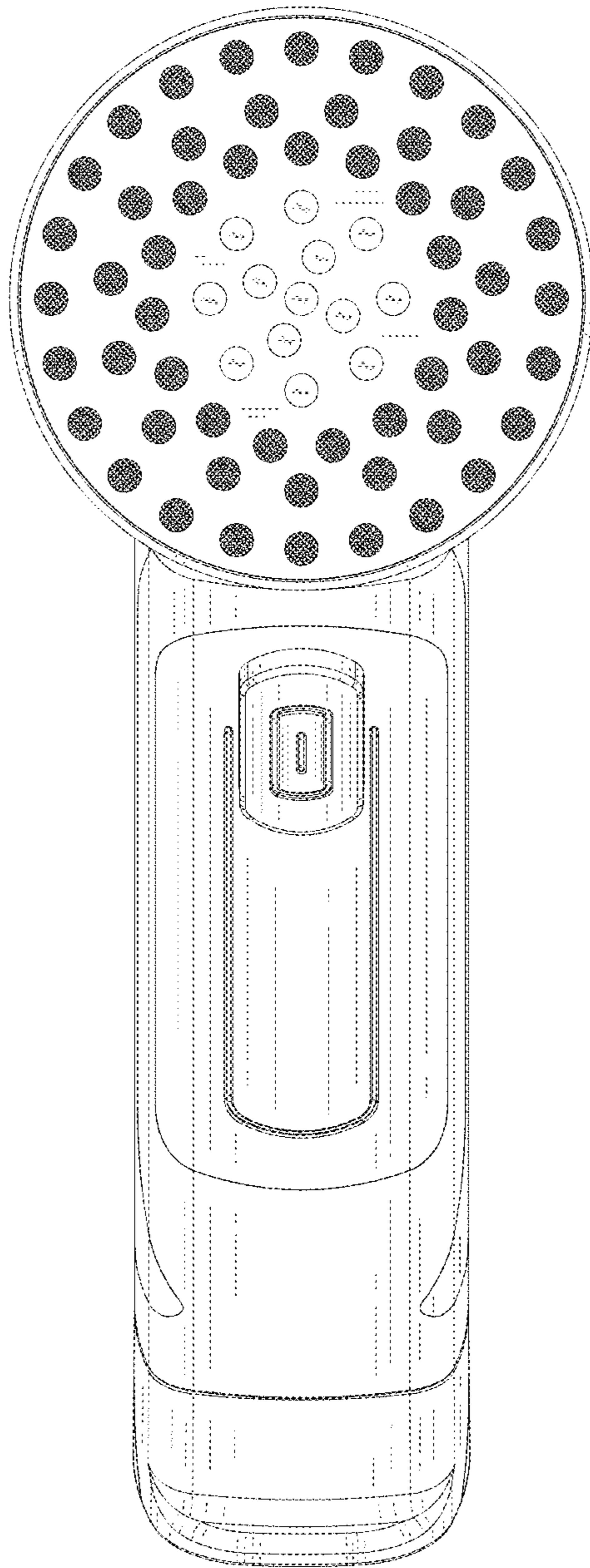


FIG. 4

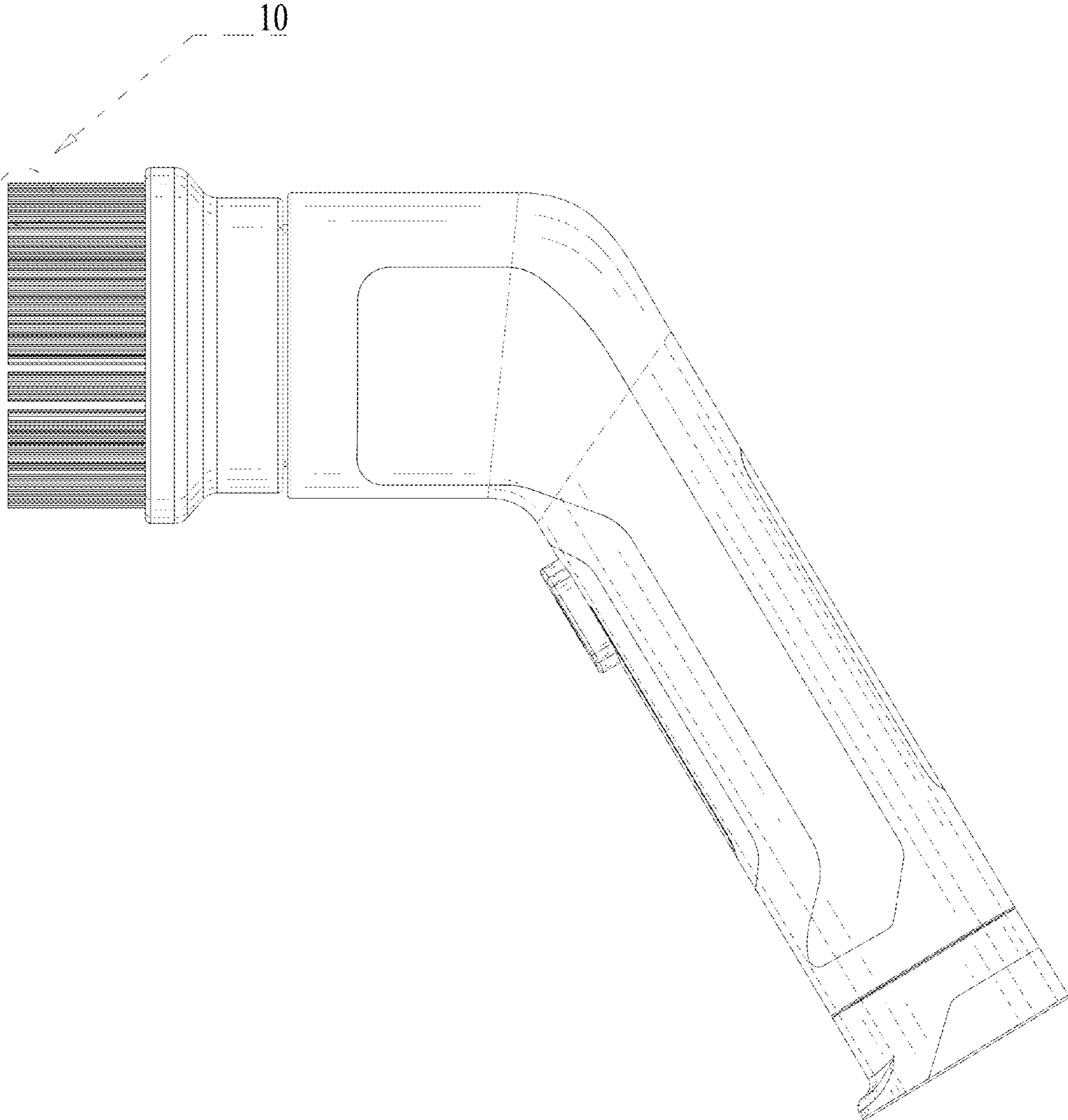


FIG. 5

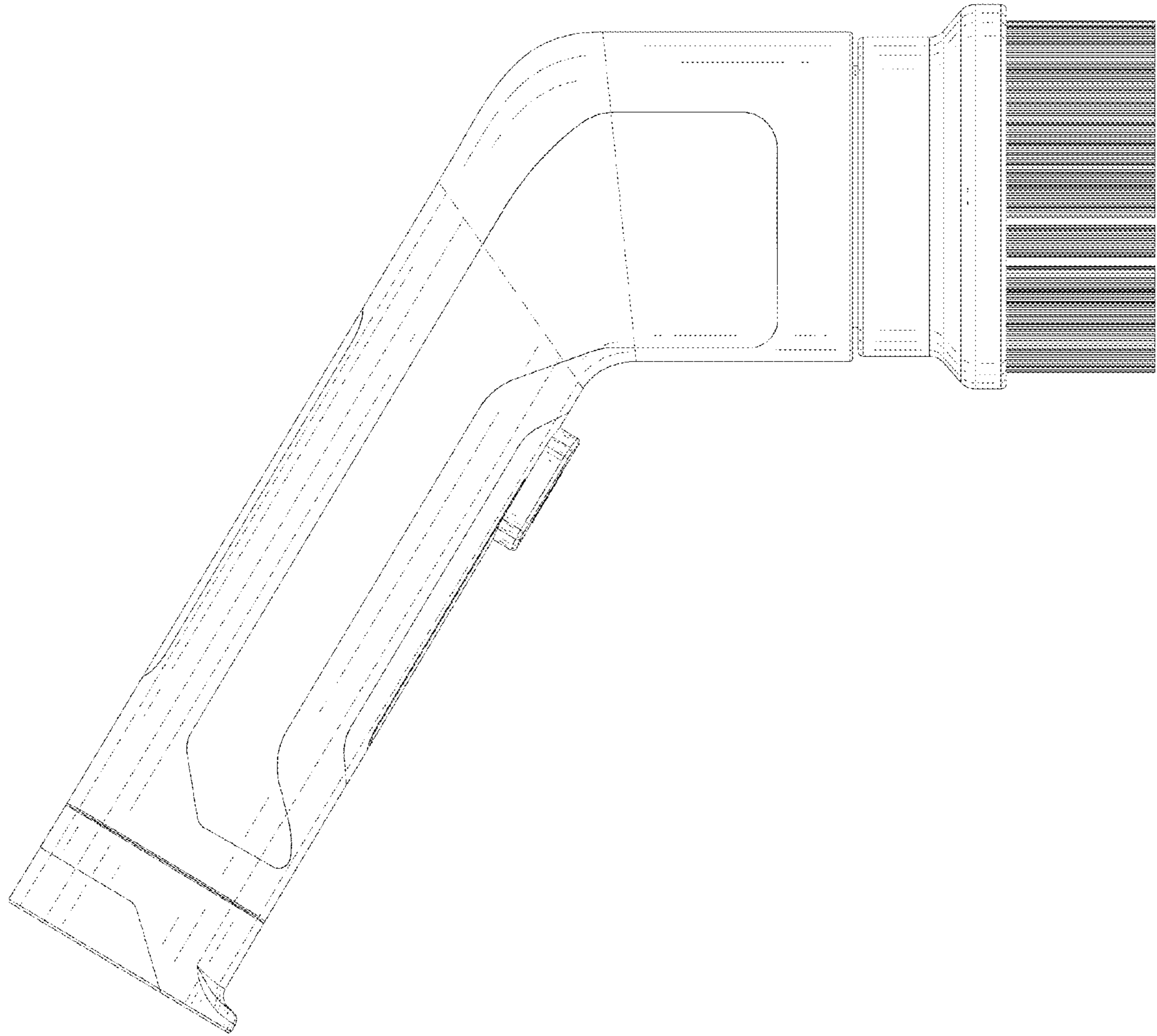


FIG. 6

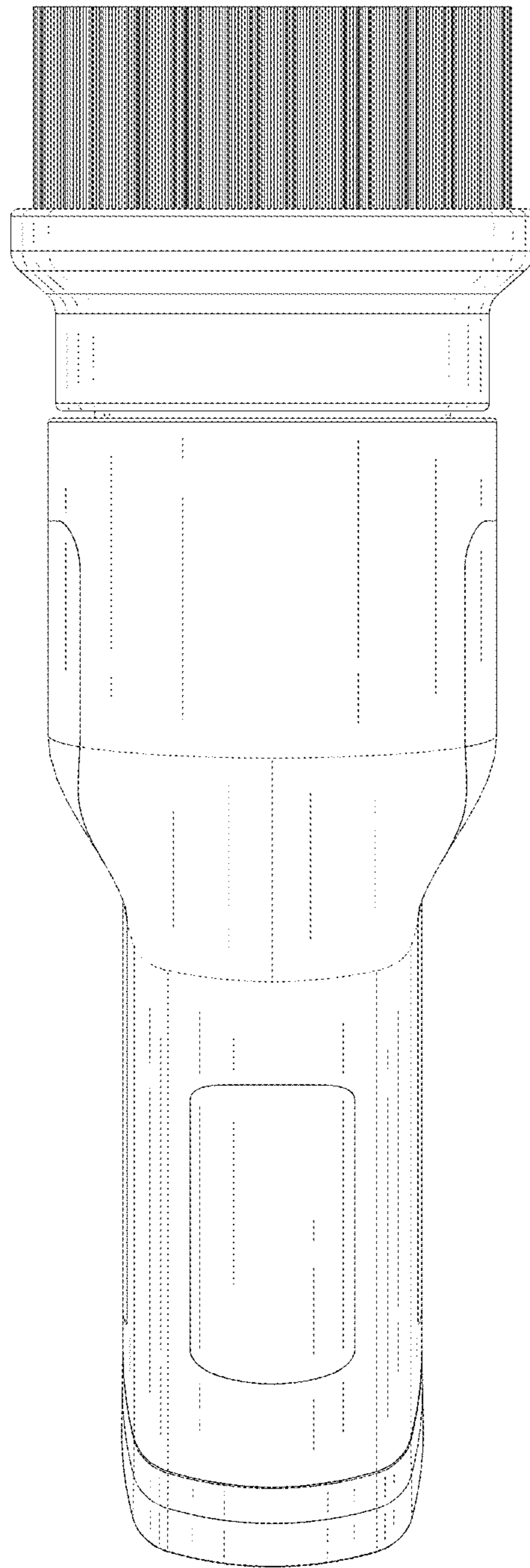


FIG. 7

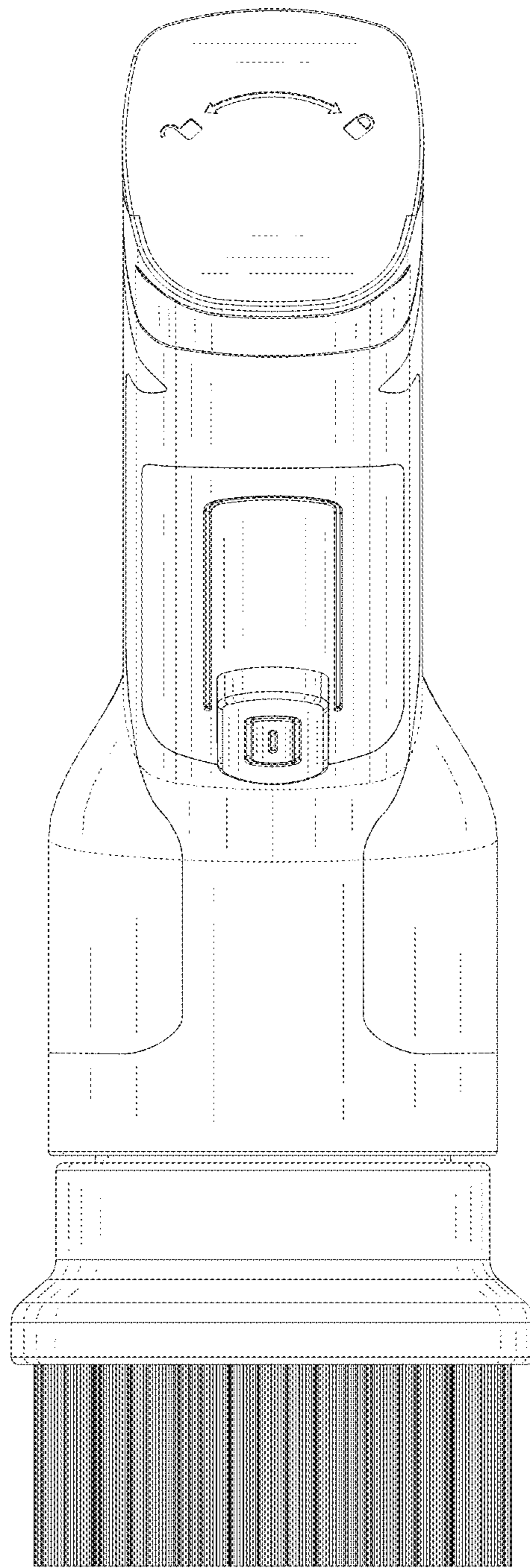


FIG. 8

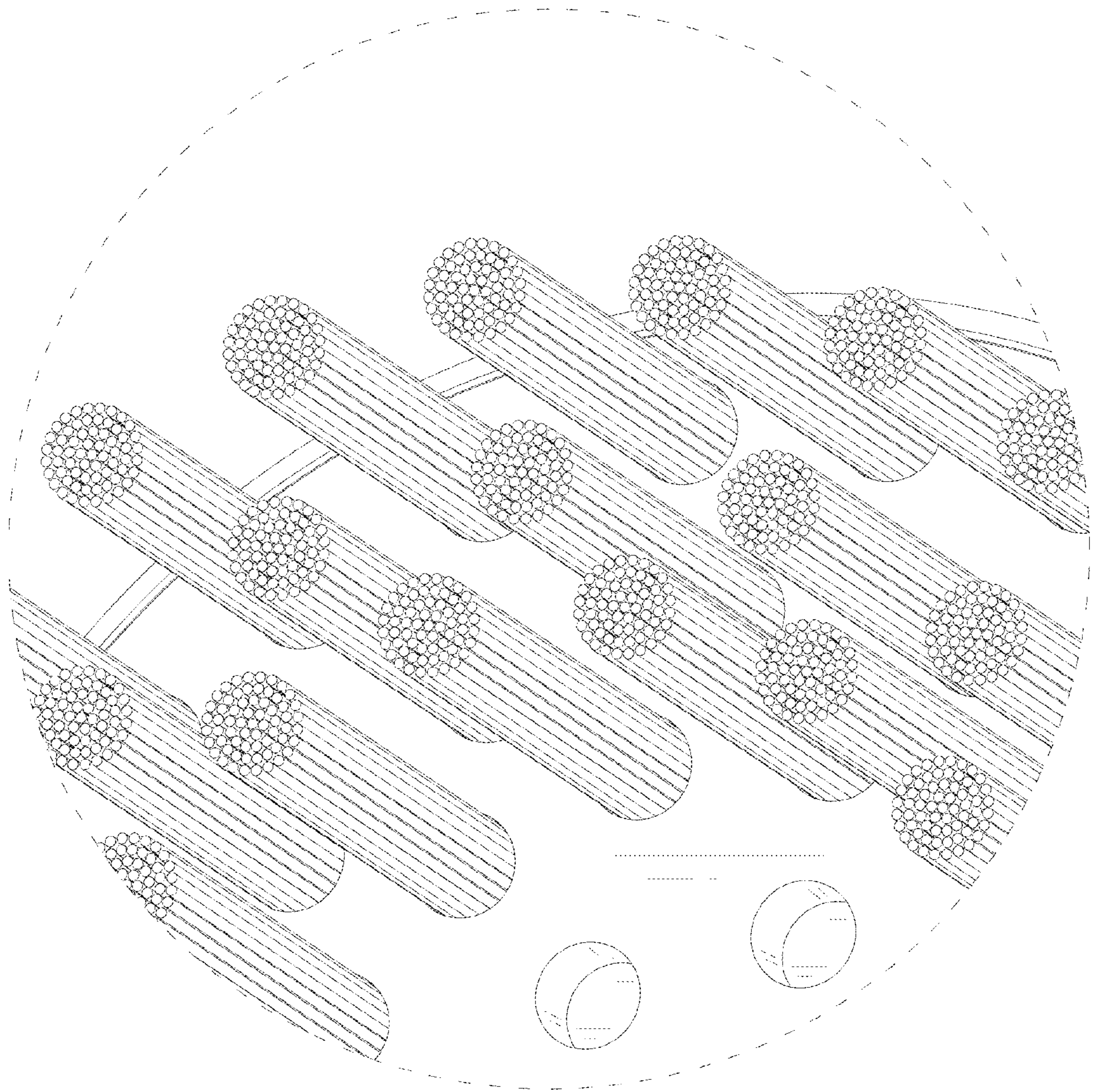


FIG. 9



FIG. 10